

CATALOGUE NO. M37441
Issued: October, 1973

'HQ'



Statesman



HOLDEN

**Genuine
GM Parts and Accessories
CATALOGUE**

A 'HOLDEN' PUBLICATION

GM PARTS & ACCESSORIES

DIVISION OF GENERAL MOTORS - HOLDEN'S PTY. LIMITED

CONTENTS PRESENTATION SEQUENCE

INTRODUCTION

This Holden and Statesman Parts Catalogue has been compiled to cover Replacement Parts, Kits and Accessories applicable to the 'HQ' Series.

VEHICLE IDENTIFICATION NUMBERING SYSTEM

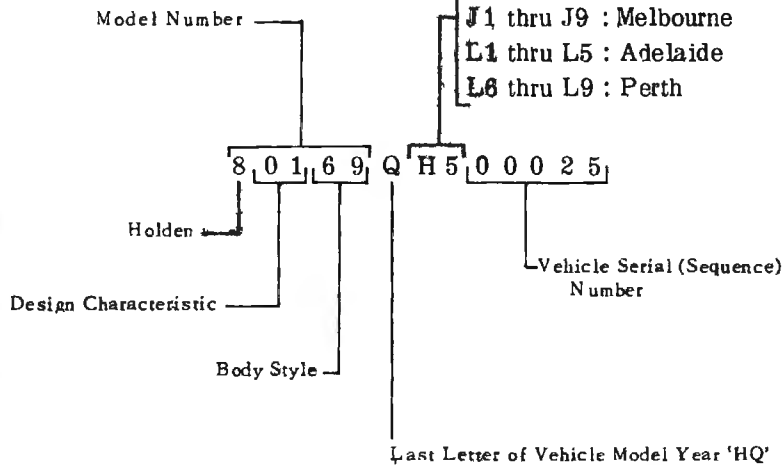
EFFECTIVE:- Prior to 1st October, 1972.

The Vehicle Identification Numbering System (V.I.N.) is based on the uniform car model designation system. The reason for this is to identify the vehicle entirely in one coded series of thirteen digits.

The first five digits will designate the model, the sixth digit denotes the year model in letter form, digits seven and eight denote the assembly plant identification code. The eighth character is also the first digit of the serial number; the remaining five digits represent the sequence number in which the vehicle was built at the plant concerned.

ASSEMBLY PLANT CODE

- H1 thru H4 : Brisbane
- H5 thru H9 : Sydney
- J1 thru J9 : Melbourne
- L1 thru L5 : Adelaide
- L6 thru L9 : Perth

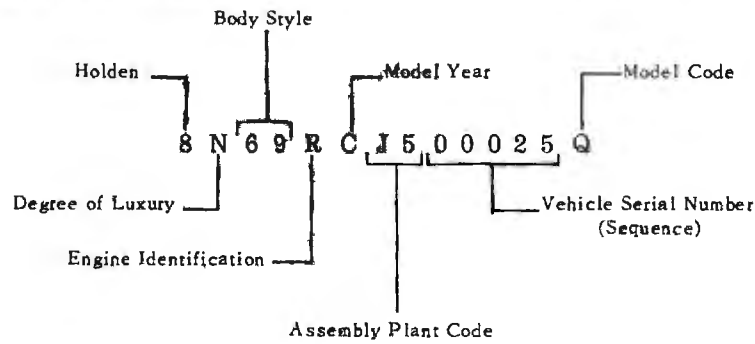


COPYRIGHT - GENERAL MOTORS-HOLDEN'S PTY. LTD.

Reproduction in whole or in part prohibited without written approval.

ALPHABETICAL INDEX

| | |
|---|--------------|
| ENGINE and CLUTCH | 0 |
| COOLING and OILING | 1 |
| ELECTRICAL | 2 |
| FUEL | 3 |
| TRANSMISSION | 4 |
| BRAKES | 4/5 |
| REAR AXLE | 5 |
| FRONT SUSP and STEERING | 6 |
| FRAME | 7 |
| SHEET METAL and STANDARD PARTS | 8 |
| MISCELLANEOUS AIR CONDITIONER ACCESSORIES HEATER | 9 |
| BODY | 10-15 |
| NUMERICAL INDEX | |



EFFECTIVE:- From 1st. October, 1972.

1st Character - '8' This Number is for Australian Operations.

2nd Character - 'N' Denotes Degree of Luxury.

- 'M' Belmont, Chassis & Cab
- 'N' Kingswood, Monaro
- 'P' Premier, Monaro LS
- 'Q' Monaro GTS
- 'R' Statesman
- 'S' Statesman De Ville

3rd & 4th Characters - '69' Identifies Body Style.

- 35 Station Wagon
- 37 Coupe
- 60 Chassis & Cab
- 69 Four Door Sedan
- 70 Panel Van
- 80 Coupe Utility

5th Character - 'R' Engine Identification Code

| LETTER | TYPE | CAPACITY |
|--------|------|-----------------------------|
| D | L6 | 173 cu.in. High Compression |
| E | L6 | 173 cu.in. Low Compression |
| L | L6 | 202 cu.in. High Compression |
| M | L6 | 202 cu.in. Low Compression |
| R | V8 | 253 cu.in. High Compression |
| S | V8 | 253 cu.in. Low Compression |
| T | V8 | 308 cu.in. |
| U | V8 | 350 cu.in. |

6th Character - 'C' Identifies Model Year. This letter changes at September 1st each year and relates to GM Internal Operations Only.

7th & 8th Characters - 'J5' Assembly Plant Codes

- Codes Used:-
- H1 thru H4 : Brisbane
 - H5 thru H9 : Sydney
 - J1 thru J9 : Melbourne
 - L1 thru L5 : Adelaide
 - L6 thru L9 : Perth

Note: The 8th Character is also the first digit of the Serial Number.

9th thru 13th Characters - '00025' Represents the sequence number in which the vehicle was built at the Plant concerned.

14th Character - 'Q' This letter is the Model Code.

MODEL DESIGNATION:

| No. | Model | Engine | No. | Model | Engine |
|-------|-------------------------|--------|-------|--------------------------|--------|
| 80135 | Belmont Station Wagon | L6 | 80269 | "SS" Sedan | V8 |
| 80235 | Belmont Station Wagon | V8 | 80369 | Kingswood Sedan | L6 |
| 80335 | Kingswood Station Wagon | L6 | 80469 | Kingswood Sedan | V8 |
| 80435 | Kingswood Station Wagon | V8 | 80469 | GTS Monaro Sedan | V8 |
| 81135 | Premier Station Wagon | L6 | 81169 | Premier Sedan | L6 |
| 81235 | Premier Station Wagon | V8 | 81269 | Premier Sedan | V8 |
| 80337 | Monaro Coupe | L6 | 81469 | Statesman De Ville Sedan | V8 |
| 80437 | Monaro Coupe | V8 | 81569 | Statesman Sedan | L6 |
| 80837 | Monaro GTS Coupe | V8 | 81669 | Statesman Sedan | V8 |
| 81137 | Luxury Sports Coupe | L6 | 80170 | Belmont Panel Van | L6 |
| 81237 | Luxury Sports Coupe | V8 | 80270 | Belmont Panel Van | V8 |
| 81837 | Monaro GTS 350 Coupe | V8 | 80180 | Belmont Coupe Utility | L6 |
| 80160 | Chassis & Cab | L6 | 80280 | Belmont Coupe Utility | V8 |
| 80169 | Belmont Sedan | L6 | 80380 | Kingswood Coupe Utility | L6 |
| 80269 | Belmont Sedan | V8 | 80480 | Kingswood Coupe Utility | V8 |

ENGINE SPECIFICATIONS:

| CAPACITY | TYPE | BORE | STROKE | COMP. RATIO | ENG. NO. PREFIX |
|-------------|------|-------|--------|-------------|-----------------|
| 173 cu.ins. | L6 | 3.50" | 3.00" | 8.3 : 1 | QE |
| 173 cu.ins. | L6 | 3.50" | 3.00" | 9.4 : 1 | QD |
| 202 cu.ins. | L6 | 3.62" | 3.25" | 7.8 : 1 | QM |
| 202 cu.ins. | L6 | 3.62" | 3.25" | 9.4 : 1 | QL |
| 253 cu.ins. | V8 | 3.62" | 3.06" | 8.0 : 1 | QS |
| 253 cu.ins. | V8 | 3.62" | 3.06" | 9.0 : 1 | QR |
| 308 cu.ins. | V8 | 4.00" | 3.06" | 9.0 : 1 | QT |
| 350 cu.ins. | V8 | 4.00" | 3.48" | 8.5 : 1 | QU |

NOTE:- Statesman engines carry an additional prefix of "11" preceding the alphabetical prefix.

ILLUSTRATIONS:

Illustrations are included to assist in the identification of parts, but as some parts which perform a similar function vary in detail of design etc., on different models, all illustrations should be regarded as typical.

GROUP SYSTEM AND HOW TO LOCATE PARTS:

The Group System used is identical with that operating throughout the General Motors Organisation and briefly is as follows:-

Main units of the car are identified by the Numeral preceding the Decimal, i.e.,

| | |
|--------------------------|----|
| Engine | 0. |
| Cooling and Oiling | 1. |
| Electrical | 2. |
| Fuel System | 3. |

Individual Parts are assigned a Group Number, the first Numeral identifying the Main unit it is affiliated with, and following the Decimal is the Sub-Group Number, under which all parts of the same name and function are listed. For instance Group 0.096: "0" indicates that it is an Engine part. "096" is the location where all Part Numbers of Crankshaft Front Bearing Units now being serviced may be found.

OPTIONAL EQUIPMENT AND HOW TO INTERPRET

As optional equipment which includes items such as Engines, Transmissions, Rear Axles, Brakes, Steering etc., together with alternate types and colours of interior trim is available to the customers choice, the cataloging of replacement parts, where differences exist, has been achieved by stipulating the type of equipment against the specific part.

The method used to indicate major units or equipment is as follows:-

ENGINE:-

- 173 Eng. Further qualified if necessary.
- 202 Eng. Further qualified if necessary.
- 253 Eng. Further qualified if necessary.
- 308 Eng. Further qualified if necessary.
- 350 Eng. Further qualified if necessary.

TRANSMISSION:-

- (M) - Manual Transmission. Further qualified if necessary.
- (A) - Automatic Transmission. Further qualified if necessary.

BRAKES:-

- Drum Brakes - Drum Brakes on all wheels.
- Power Brakes - Power Brake qualification added only when necessary to differentiate from unassisted Drum Brakes.
- Disc Brakes - Disc Brakes on front wheels, Drum Brakes on rear wheels.

STEERING:-

- Power Steering - Power assisted steering.

BODY:-

- Body Style Numbers are:-
- 35 Station Wagon
 - 37 Coupe
 - 60 Chassis & Cab
 - 69 Sedan
 - 70 Panel Van
 - 80 Coupe Utility

When Body Style is the model determining factor, the Two Digit Body Style Number system applies.

Should usage be restricted due to design characteristics, this portion of the V.I.N. is linked with the Body Style Number to provide complete identification.

EXAMPLE:-

- "69" - Suitable all Sedan Models.
- "169" - Suitable Belmont 6 cyl. Sedan only.
- "369" - Suitable Kingswood 6 cyl. Sedan only.
- "1169" - Suitable Premier 6 cyl. Sedan only.
- "1469" - Suitable Statesman De Ville Sedan only.

SEATS:-

Bench Seats - Single full width front seat.

Bucket Seats - Twin front seats of either fixed or reclining type. Further qualified if necessary.

INTERIOR TRIM:-

All items of trim are identified by a part number consisting of a basic number which identifies the item and a suffix consisting of alphabetical symbols which denotes the colour, e.g.,

| BASIC No. | Suffix | COMPLETE No. |
|-----------|--------|--------------|
| 2819357 | BA | 2819357BA |

To interpret requirements it is necessary to determine the model and trim number from the plate attached to the dash panel beneath the engine hood, also the type of seats, etc., fitted.

TRIM NUMBER CHART

NOTE:- "Colour" in this chart indicates the colour of the trim on seat cushions and backs.

| TRIM NO. | COLOUR | TRIM NO. | COLOUR | TRIM NO. | COLOUR |
|----------|----------------|----------|---------------|----------|----------------|
| 10A | Black | 12E | Calypso Red | 19G | Antique Brown |
| 10B | Black | 12R | Calypso Red | 19M | Antique Brown |
| 10C | Black | 14A | Blue | 19N | Antique Brown |
| 10D | Black | 14B | Blue | 19R | Antique Brown |
| 10E | Black | 14E | Medium Blue | 19S | Antique Brown |
| 10G | Black | 14M | Medium Blue | 19T | Antique Brown |
| 10H | Black | 14R | Medium Blue | 19X | Antique Brown |
| 10M | Black | 14X | Medium Blue | 19Y | Antique Brown |
| 10N | Black | 14Y | Medium Blue | 21A | Saddle |
| 10R | Black | 16E | Olive Green | 21B | Saddle |
| 10S | Black | 16G | Olive Green | 21E | Antique Saddle |
| 10T | Black | 16R | Olive Green | 21G | Antique Saddle |
| 10U | Black | 16T | Olive Green | 21M | Antique Saddle |
| 10X | Black | 16X | Olive Green | 21N | Antique Saddle |
| 10Y | Black | 16Y | Olive Green | 21R | Antique Saddle |
| 10Z | Black | 17A | Defence Green | 21S | Antique Saddle |
| 11A | Saddle | 18E | Flax | 21T | Antique Saddle |
| 11B | Saddle | 18H | Flax | 21X | Antique Saddle |
| 11E | Antique Saddle | 18M | Flax | 21Y | Antique Saddle |
| 11G | Antique Saddle | 18N | Flax | 22A | Red |
| 11M | Antique Saddle | 18R | Flax | 22B | Red |
| 11N | Antique Saddle | 18S | Flax | 22E | Calypso Red |
| 11R | Antique Saddle | 18U | Flax | 22R | Calypso Red |
| 11S | Antique Saddle | 18X | Flax | 24A | Blue |
| 11T | Antique Saddle | 18Y | Flax | 24B | Blue |
| 11X | Antique Saddle | 19A | Brown | 24E | Medium Blue |
| 11Y | Antique Saddle | 19B | Brown | 24R | Medium Blue |
| 12A | Red | 19C | Beech Brown | 24X | Medium Blue |
| 12B | Red | 19E | Antique Brown | 24Y | Medium Blue |

TRIM NUMBER CHART (Cont'd.)

| TRIM NO. | COLOUR | TRIM NO. | COLOUR | TRIM NO. | COLOUR |
|-----------------|---------------|-----------------|---------------|-----------------|----------------|
| 28E | Flax | 34M | Indigo | 38R | Doeskin |
| 28H | Flax | 34N | Indigo | 38T | Doeskin |
| 28M | Flax | 34R | Indigo | 38X | Doeskin |
| 28N | Flax | 34T | Indigo | 38Y | Doeskin |
| 28R | Flax | 34X | Indigo | 39A | Brown |
| 28S | Flax | 34Y | Indigo | 39B | Brown |
| 28U | Flax | 35A | Grey | 39E | Chestnut |
| 30A | Black | 35B | Grey | 39G | Chestnut |
| 30B | Black | 35E | Ash | 39M | Chestnut |
| 30E | Black | 35G | Ash | 39N | Chestnut |
| 30G | Black | 35M | Ash | 39R | Chestnut |
| 30H | Black | 35N | Ash | 39T | Chestnut |
| 30M | Black | 35R | Ash | 39X | Chestnut |
| 30N | Black | 35X | Ash | 39Y | Chestnut |
| 30R | Black | 35Y | Ash | 81A | Antique Saddle |
| 30T | Black | 36E | Juniper | 81B | Saddle |
| 30X | Black | 36G | Juniper | 81D | Antique Saddle |
| 30Y | Black | 36R | Juniper | 82A | Calypso Red |
| 32A | Red | 36T | Juniper | 82B | Red |
| 32B | Red | 36X | Juniper | 84A | Medium Blue |
| 32E | Cinnabar | 36Y | Juniper | 84B | Blue |
| 32R | Cinnabar | 38E | Doeskin | 86A | Olive Green |
| 34A | Blue | 38G | Doeskin | 88A | Flax |
| 34B | Blue | 38M | Doeskin | 89A | Antique Brown |
| 34E | Indigo | 38N | Doeskin | 89B | Brown |
| 34G | Indigo | | | | |

SPECIAL NOTE - SIDE

Provision is made between the "Model and Part No." columns to indicate when the item is for fitment to the LH (Left Hand) or RH (Right Hand) side of the vehicle. These letters are NOT a prefix to the Part Number and MUST NOT be quoted as such.

| | | | |
|--|--------|---|--------|
| ACTUATOR – Air cond. vacuum | 9.786 | BAR – Cross | 12.982 |
| ACTUATOR – Trans. parking brake | 4.294 | BAR – Frame side | 7.003 |
| ADAPTOR – Engine breather hose | 1.762 | BAR – Front seat recliner | 11.390 |
| ADAPTOR – Engine unit oil gauge | 1.803 | BAR – Horn actuating | 2.830 |
| ADAPTOR – Engine unit temp. gauge | 0.277 | BAR – Tow | 9.600 |
| ADAPTOR – Horn actuating bar | 2.824 | BARREL & KEY ASSY. – Deck lid | 12.248 |
| ADAPTOR – Oil filter | 1.835 | BARREL & KEY ASSY. – Door locking | 10.550 |
| ADAPTOR – Power steering hose | 6.670 | BARREL & KEY ASSY. – End gate | 12.248 |
| ADAPTOR – Speedometer ratio | 4.337 | BASE – Air cond. control | 9.788 |
| ADAPTOR – Steering shaft bearing | 6.524 | BASE – Dome lamp | 11.925 |
| ADAPTOR – Trans. modulator pipe | 4.205 | BASE – Heater control | 9.779 |
| ADAPTOR – Trans. rear bearing | 4.317 | BASE – Parking & turn signal lamp | 2.586 |
| ADJUSTER – Front seat recliner | 11.388 | BATTERY | 2.332 |
| ADJUSTER – Steering gear lash | 6.822 | BEARING – Axle shaft | 5.855 |
| ADJUSTER – Steering gear worm brg. | 6.830 | BEARING – Brake pedal pivot | 4.626 |
| ADJUSTER ASSY. – Front seat | 11.561 | BEARING – Camshaft centre | 0.544 |
| AIR CLEANER | 3.402 | BEARING – Camshaft front | 0.539 |
| AIR HORN ASSY. – Carburettor | 3.763 | BEARING – Camshaft front inter. | 0.543 |
| ANCHOR – Hood catch control rod | 8.077 | BEARING – Camshaft rear | 0.549 |
| ANTENNA – Radio | 9.662 | BEARING – Camshaft rear inter. | 0.546 |
| ANTISQUEAK – Fuel tank | 3.024 | BEARING – Camshaft thrust | 0.533 |
| ARM – Control | 6.168 | BEARING – Clutch gear | 4.355 |
| ARM – End gate hold open | 12.203 | BEARING – Clutch pedal | 0.831 |
| ARM – End gate limit | 12.203 | BEARING – Clutch relay lever | 0.852 |
| ARM – Front seat recliner | 11.392 | BEARING – Clutch throwout | 0.799 |
| ARM – Fuel pump rocker | 3.920 | BEARING – Counter shaft | 4.422 |
| ARM – Pitman | 6.859 | BEARING – Crankshaft clutch pilot | 0.649 |
| ARM – Rear axle control | 5.382 | BEARING – Differential preload | 5.460 |
| ARM – Steering | 6.103 | BEARING – Differential side | 5.536 |
| ARM – Valve rocker | 0.333 | BEARING – Front wheel inner | 6.311 |
| ARM – Windshield wiper | 10.147 | BEARING – Front wheel outer | 6.313 |
| ARM – Wiper motor crank | 10.150 | BEARING – Gearshift cross shaft | 4.019 |
| ARM REST – Front door | 14.686 | BEARING – Generator drive end | 2.306 |
| ARM REST – Quarter | 14.762 | BEARING – Generator slip ring end | 2.298 |
| ARM REST – Rear door | 14.762 | BEARING – Low sun gear thrust | 4.177 |
| ARM REST – Rear seat centre | 14.998 | BEARING – Main shaft front | 4.352 |
| ARMATURE ASSY. – Front door window | 10.784 | BEARING – Main shaft rear | 4.408 |
| ARMATURE ASSY. – Rear door window | 10.792 | BEARING – Pinion front | 5.447 |
| ARMATURE – End gate window motor | 12.280 | BEARING – Pinion rear | 5.484 |
| ARMATURE – Rear quarter window | 11.043 | BEARING – Stg. gear pitman shaft | 6.786 |
| ARMATURE – Starter motor | 2.043 | BEARING – Steering hyd. coupling sleeve | 6.552 |
| ARMATURE – Wiper motor | 10.150 | BEARING – Steering shaft | 6.521 |
| ARRESTOR – Fuel tank | 3.001 | BEARING – Steering shaft coupling | 6.524 |
| ARRESTOR – Rear engine mounting | 4.081 | BEARING – Throttle rod | 3.430 |
| ARRESTOR – Trans. mtg. support | 4.081 | BEARING – Trans. planet | 4.177 |
| ASH TRAY | 12.030 | BEARING – Trans. planet pinion needle | 4.177 |
| AXLE ASSY. – Rear | 5.386 | BEARING – Trans. sun gear | 4.159 |
| AXLE SHAFT ASSY. – Rear | 5.420 | BEARING – Water pump | 1.108 |
| BACK ASSEMBLY – Rear seat | 14.998 | BEARING – Wiper motor | 10.150 |
| BAFFLE – Carburettor float chamber | 3.776 | BEARING – Worm thrust | 6.530 |
| BAFFLE – Choke heat tube | 3.720 | BEARING KIT – Camshaft | 0.536 |
| BAIL – Brake main cylinder cover | 4.651 | BEARING SET – Crankshaft | 0.094 |
| BAIL – Fuel pump bowl | 3.906 | BEARING SET – Connecting rod | 0.616 |
| BALL – Carburettor discharge | 3.760 | BEARING UNIT – Connecting rod | 0.616 |
| BALL – Carburettor pump check | 3.760 | BEARING UNIT – Crankshaft centre | 0.101 |
| BALL – Dist. breaker plate | 2.385 | BEARING UNIT – Crankshaft front | 0.096 |
| BALL – Steel | 8.899 | BEARING UNIT – Crankshaft front inter. | 0.099 |
| BALL – Steering gear | 6.844 | BEARING UNIT – Crankshaft rear | 0.106 |
| BALL – Wiper motor armature | 10.150 | BEARING UNIT – Crankshaft rear inter. | 0.103 |
| BALL JOINT ASSY. – Control arm | 6.168 | BELT – Air conditioner comp. | 9.180 |
| BAND – Trans. brake | 4.251 | BELT – Fan and generator | 1.066 |
| BAND – Trans. reaction | 4.251 | BELT – Front seat | 14.798 |
| BAR ASSY. – Underbody | 12.982 | BELT – Power steering | 6.660 |
| BAR – Air horn reinforcing | 3.763 | BELT – Rear seat | 15.040 |
| BAR – Bumper face | 7.831 | BELT – Stg. gear hyd. pump drive | 6.660 |

| | |
|---|--------|
| BLADE ASSEMBLY - Fan | 1.064 |
| BLADE ASSEMBLY - Windshield wiper | 10.146 |
| BLADE - Starter solenoid contact | 2.102 |
| BLANK - Key | 8.800 |
| BLEEDER - Carburettor high speed | 3.751 |
| BLOCK - Cylinder | 0.033 |
| BLOCK - Diff. preload spring | 5.511 |
| BODY ASSEMBLY | 10.001 |
| BODY ASSEMBLY - Brake main cyl. | 4.650 |
| BODY ASSEMBLY - Brake wheel cylinder | 4.665 |
| BODY ASSEMBLY - Carburettor main | 3.748 |
| BODY ASSEMBLY - Oil pump | 1.653 |
| BODY - Air cond. wiring terminal | 9.276 |
| BODY - Back up lamp harness | 2.697 |
| BODY - Carburettor throttle | 3.727 |
| BODY - Courtesy light switch | 11.950 |
| BODY - Door window | 10.777 |
| BODY - End gate window reg. harness | 12.277 |
| BODY - Fuel pump | 3.902 |
| BODY - Inst. panel comp. lamp switch | 10.270 |
| BODY - Rear comp. lamp switch | 11.960 |
| BODY - Shell | 10.002 |
| BODY - Trans. governor valve | 4.256 |
| BODY - Trans. oil control valve | 4.265 |
| BODY - Trans. oil pump | 4.226 |
| BODY - Water pump | 1.037 |
| BODY - Wiring harness term. conn. | 2.555 |
| BODY & GEAR PACKAGE - Trans. oil pump | 4.226 |
| BOLT - Air cleaner | 3.403 |
| BOLT - Air cond. condenser | 9.190 |
| BOLT - Air cond. compressor | 9.171 |
| BOLT - Battery mounting | 2.333 |
| BOLT - Brake backing plate | 5.002 |
| BOLT - Bumper bar | 7.836 |
| BOLT - Bumper face bar | 7.852 |
| BOLT - Camshaft sprocket | 0.736 |
| BOLT - Camshaft thrust | 0.533 |
| BOLT - Clutch | 0.870 |
| BOLT - Clutch pedal lever | 0.830 |
| BOLT - Clutch pedal retaining | 0.837 |
| BOLT - Connecting rod | 0.623 |
| BOLT - Crankcase front cover | 0.206 |
| BOLT - Crankshaft bearing cap | 0.056 |
| BOLT - Crankshaft pulley | 0.659 |
| BOLT - Cylinder head | 0.293 |
| BOLT - Differential carrier | 5.506 |
| BOLT - Diff. carrier to housing | 5.387 |
| BOLT - Door inside locking lever | 10.556 |
| BOLT - End gate cable | 12.203 |
| BOLT - Fillister head | 8.907 |
| BOLT - Flat head | 8.908 |
| BOLT - Flywheel | 0.669 |
| BOLT - Front seat adjuster handle | 11.588 |
| BOLT - Front fender attaching | 8.143 |
| BOLT - Generator mounting | 2.277 |
| BOLT - Generator through | 2.316 |
| BOLT - Hexagon head | 8.900 |
| BOLT - Hood bumper | 8.024 |
| BOLT - Manifold | 3.275 |
| BOLT - Oil filter adaptor | 1.835 |
| BOLT - Oval head | 8.909 |
| BOLT - Pan head | 8.810 |
| BOLT - Rear seat back, stop bracket | 11.634 |
| BOLT - Rear spring centre | 7.505 |
| BOLT - Ring gear | 5.531 |
| BOLT - Round head | 8.906 |
| BOLT - Round head carriage | 8.903 |

| | |
|--|--------|
| BOLT - Shock absorber mounting | 7.370 |
| BOLT - Starter motor | 2.041 |
| BOLT - Starter motor through | 2.077 |
| BOLT - Steering gear hyd. pump | 6.606 |
| BOLT - Steering shaft coupling | 6.524 |
| BOLT - Trans. centre support | 4.162 |
| BOLT - Trans. oil pump | 4.226 |
| BOLT - Trans. shifter control | 4.030 |
| BOLT - Truss. head | 8.913 |
| BOLT - Valve push rod cover | 0.449 |
| BOLT - Water pump | 1.069 |
| BOLT - Wheel hub | 5.812 |
| BOLT - Wiper motor | 10.150 |
| BOLT & WASHER - Front fender | 8.143 |
| BOOSTER - Brake vacuum servo | 4.902 |
| BOOT - Brake main cylinder | 4.659 |
| BOOT - Brake vacuum servo booster | 4.907 |
| BOOT - Brake wheel cylinder | 4.670 |
| BOOT - Clutch fork | 0.797 |
| BOOT - Parking & turn signal lamp lead | 2.596 |
| BOOT - Spark plug insulating | 2.258 |
| BOOT - Transmission shift lever | 4.015 |
| BOW ASSEMBLY - Roof | 12.952 |
| BOWL - Fuel pump | 3.903 |
| BRACE - Air conditioner compressor | 9.171 |
| BRACE - Clutch relay lever | 0.852 |
| BRACE - Deck lid hinge bracket | 12.184 |
| BRACE - Floor pan | 12.972 |
| BRACE - Generator | 2.317 |
| BRACE - Quarter inner panel | 12.941 |
| BRACE - Starter motor | 2.041 |
| BRACE - Steering column | 6.761 |
| BRACE - Underbody cross bar | 12.982 |
| BRACKET - Accelerator spring | 3.459 |
| BRACKET - Air conditioner comp. | 9.171 |
| BRACKET - Air cond. P.O.A.S.T. valve | 9.199 |
| BRACKET - Air cond. receiver & dehy. | 9.195 |
| BRACKET - Air cond. vac. actuator supp. | 9.786 |
| BRACKET - Brake cable | 4.829 |
| BRACKET - Brake cable pulley | 4.700 |
| BRACKET - Brake hose | 4.681 |
| BRACKET - Brake pedal bumper | 4.625 |
| BRACKET - Brake pipe connector mtg. | 4.686 |
| BRACKET - Bumper mounting | 7.836 |
| BRACKET - Choke heat pipe | 3.720 |
| BRACKET - Choke & plenum chamber cont. | 3.521 |
| BRACKET - Clutch brace | 0.852 |
| BRACKET - Clutch fork spring | 0.844 |
| BRACKET - Clutch pedal bumper | 0.830 |
| BRACKET - Clutch relay strut | 0.852 |
| BRACKET - Deck lid hinge | 12.184 |
| BRACKET - Diff. pinion bumper | 5.395 |
| BRACKET - Distributor condenser | 2.393 |
| BRACKET - Engine mounting | 0.027 |
| BRACKET - Front stabiliser shaft | 7.242 |
| BRACKET - Fuel tank | 3.001 |
| BRACKET - Fuel tank filler door | 12.966 |
| BRACKET - Gearshift cross shaft | 4.019 |
| BRACKET - Generator mounting | 2.277 |
| BRACKET - Hood catch control rod | 8.077 |
| BRACKET - Hood lock | 8.085 |
| BRACKET - Ignition coil | 2.170 |
| BRACKET - Instrument closing panel | 2.515 |
| BRACKET - Muffler support | 3.704 |
| BRACKET - Platform mounting | 7.016 |
| BRACKET - Plenum chamber control | 9.787 |
| BRACKET - Park brake lever spring | 4.596 |

| | |
|--|--------|
| BRACKET - Power plant mounting | 6.008 |
| BRACKET - Rear axle control arm | 5.382 |
| BRACKET - Rear compt. lamp switch protecting | 11.960 |
| BRACKET - Rear licence lamp | 2.705 |
| BRACKET - Rear seat back stop | 11.634 |
| BRACKET - Rear shock abs. mounting | 12.984 |
| BRACKET - Rear spring front hanger | 7.112 |
| BRACKET - Rear spring rear hanger | 7.118 |
| BRACKET - Rear vision mirror | 10.187 |
| BRACKET - Seat separator | 12.801 |
| BRACKET - Steering column support | 6.760 |
| BRACKET - Stg. gear hyd. pump mtg. | 6.606 |
| BRACKET - Stop light switch | 4.625 |
| BRACKET - Tail stop & turn signal lamp | 2.665 |
| BRACKET - Throttle relay | 3.430 |
| BRACKET - Trans. control cross shaft | 4.040 |
| BRACKET - Trans. parking brake actuator | 4.294 |
| BREAKER - Door window reg. circuit | 10.777 |
| BREAKER - End gate window reg. circuit | 12.276 |
| BREATHER - Axle housing | 5.387 |
| BREATHER - Trans. | 4.104 |
| BRIDGE - Air cleaner | 3.403 |
| BRUSH - Distributor cap | 2.370 |
| BRUSH - End gate window motor | 12.280 |
| BRUSH - Front door window motor | 10.784 |
| BRUSH - Rear door window motor | 10.792 |
| BRUSH - Rear quarter window motor | 11.043 |
| BRUSH - Wiper motor | 10.150 |
| BRUSH HOLDER & CIRCUIT BREAKER - End gate window motor | 12.280 |
| BRUSH HOLDER & CIRCUIT BREAKER ASSY. - Front door window motor | 10.784 |
| BRUSH HOLDER & CIRCUIT BREAKER ASSY. - Rear door window motor | 10.792 |
| BRUSH HOLDER & CIRCUIT BREAKER ASSY. - Rear quarter window motor | 11.043 |
| BRUSH PLATE - Generator | 2.291 |
| BRUSH SET - Generator | 2.285 |
| BRUSH SET - Starter motor | 2.051 |
| BUFFER - Starter motor drive | 2.087 |
| BULB | 8.991 |
| BULB - Courtesy light | 11.950 |
| BULB - Dome lamp | 11.925 |
| BULB - Inst. indicator & illumination | 2.515 |
| BULB - Inst. panel comp. | 10.270 |
| BULB - Parking & turn sig. lamp | 2.585 |
| BULB - Quarter corner lamp | 11.940 |
| BULB - Rear comp. lamp | 11.960 |
| BULB - Rear licence lamp | 2.714 |
| BULB - Tail & stop lamp | 2.679 |
| BULB - Trans. control dial | 4.038 |
| BULB - Turn signal indicator | 2.893 |
| BUMPER - Brake pedal | 4.625 |
| BUMPER - Clutch pedal | 0.830 |
| BUMPER - Clutch pedal brace | 0.852 |
| BUMPER - Control arm | 6.176 |
| BUMPER - Deck lid | 12.212 |
| BUMPER - Diff. pinion nose | 5.395 |
| BUMPER - Door pillar | 10.587 |
| BUMPER - End gate | 12.212 |
| BUMPER - End gate anti-rattle | 12.240 |
| BUMPER - Front door window | 10.716 |
| BUMPER - Hood | 8.024 |
| BUMPER - Instrument carrier | 2.515 |
| BUMPER - Instrument panel compt. door | 10.263 |
| BUMPER - Licence plate mounting front | 7.796 |
| BUMPER - Licence plate mounting rear | 2.670 |

| | |
|--|--------|
| BUMPER - Rear axle | 7.535 |
| BUMPER - Rear seat back | 11.634 |
| BUMPER - Trans. control housing lid | 15.292 |
| BUSHING - Air cond. vac. valve rotor pin | 9.262 |
| BUSHING - Air cond. air inlet door | 9.262 |
| BUSHING - Brake adjuster | 5.103 |
| BUSHING - Clutch pedal | 0.831 |
| BUSHING - Clutch relay lever | 0.852 |
| BUSHING - Converter housing | 0.683 |
| BUSHING - Distributor shaft | 2.362 |
| BUSHING - Door hinge | 10.466 |
| BUSHING - Front door sash plate | 10.685 |
| BUSHING - Front stabiliser | 7.243 |
| BUSHING - Heat distribution duct door | 9.779 |
| BUSHING - Lighting switch | 2.487 |
| BUSHING - Lower control arm | 6.170 |
| BUSHING - Oil pump drive shaft | 1.653 |
| BUSHING - Rear axle control arm | 5.382 |
| BUSHING - Rear qrt. window roller | 11.007 |
| BUSHING - Rear spring | 7.524 |
| BUSHING - Reverse idler gear | 4.433 |
| BUSHING - Shock absorber mounting | 7.370 |
| BUSHING - Starter drive | 2.087 |
| BUSHING - Starter motor | 2.083 |
| BUSHING - Steering conn. rod idler lever | 6.897 |
| BUSHING - Transmission case | 4.103 |
| BUSHING - Trans. centre support | 4.162 |
| BUSHING - Trans. clutch drum | 4.158 |
| BUSHING - Trans. inter. clutch sprag | 4.168 |
| BUSHING - Trans. oil pump body | 4.226 |
| BUSHING - Trans. output shaft | 4.176 |
| BUSHING - Trans. rear extension housing | 4.317 |
| BUSHING - Trans. sun gear | 4.161 |
| BUSHING - Upper control arm | 6.164 |
| BUSHING - Wiper motor | 10.150 |
| BUTTON - Curtain fastener | 8.987 |
| BUTTON - Gearshift lever handle | 4.009 |
| BUTTON - Rod release | 4.594 |
| CABLE & CASING - Speedometer | 4.342 |
| CABLE - Air cond. control | 9.788 |
| CABLE - Battery ground | 2.341 |
| CABLE - End gate limit | 12.203 |
| CABLE - Hand brake | 4.826 |
| CABLE - Heater control | 9.779 |
| CABLE - Mode control | 9.779 |
| CABLE - Spare wheel hoist | 7.640 |
| CABLE - Speedometer | 4.342 |
| CABLE - Starter | 2.342 |
| CALIPER ASSEMBLY - Brake | 5.010 |
| CAM - Carburettor fast idle | 3.735 |
| CAM - Distributor | 2.381 |
| CAM - Door window guide | 10.702 |
| CAM - End gate glass lifter channel | 11.207 |
| CAM - Front door window | 10.783 |
| CAM - Rear door window | 10.791 |
| CAM - Trans. detent | 4.311 |
| CAMSHAFT | 0.519 |
| CAP - Crankshaft centre bearing | 0.100 |
| CAP - Crankshaft front bearing | 0.095 |
| CAP - Crankshaft front int. bearing | 0.098 |
| CAP - Crankshaft rear bearing | 0.105 |
| CAP - Crankshaft rear int. bearing | 0.102 |
| CAP - Distributor | 2.367 |
| CAP - Door glass bearing | 10.685 |
| CAP - Front door trim clip | 14.685 |
| CAP - Fuel tank | 3.028 |
| CAP - Heater hose inlet | 1.069 |
| CAP - Oil filler | 1.516 |

| | |
|--|--------|
| CAP - Oil pressure regulator valve | 1,609 |
| CAP - Radiator | 1,203 |
| CAP - Rear door trim clip | 14,760 |
| CAP - Shock absorber air valve | 7,347 |
| CAP - Starter motor armature | 2,063 |
| CAP - Stg. gear hyd. pump reservoir | 6,635 |
| CAP - Underbody sealing | 12,972 |
| CAP - Valve spring | 0,309 |
| CAP - Wheel hub | 5,858 |
| CARBURETTOR ASSEMBLY | 3,725 |
| CARPET - Trans. control housing | 15,291 |
| CARPET ASSEMBLY - Front floor | 15,286 |
| CARPET ASSEMBLY - Luggage comp. floor | 15,294 |
| CARPET ASSEMBLY - Rear floor | 15,306 |
| CARRIER ASSY. - Trans. output | 4,175 |
| CARRIER ASSY. - Trans. planet | 4,177 |
| CARRIER ASSY. - Trans. reaction | 4,175 |
| CARRIER - Infant safety | 9,667 |
| CARRIER - Instrument | 2,515 |
| CARRIER - Water bag | 9,608 |
| CARRIER & CAP - Differential | 5,505 |
| CASE - Differential | 5,510 |
| CASE - Fuel gauge | 2,515 |
| CASE - Inst. panel door lock | 10,266 |
| CASE - Transmission | 4,103 |
| CASE SET - Travel | 9,612 |
| CATCH - Hood safety | 8,036 |
| CATCH - Spare wheel comp. cover | 12,238 |
| CAULKING COMPOUND | 8,820 |
| CHAIN - Camshaft timing | 0,724 |
| CHANNEL - End gate glass | 11,207 |
| CHANNEL - Front door glass | 10,701 |
| CHANNEL - Front door glass lifter | 10,685 |
| CHANNEL - Rear door glass | 10,759 |
| CHANNEL - Rear door glass division | 10,829 |
| CHANNEL - Rear door glass lifter | 10,747 |
| CHANNEL - Rear quarter side glass | 11,015 |
| CHANNEL - Rear quarter window | 11,007 |
| CHANNEL - Rear window glass | 11,207 |
| CHOCK - Spare wheel | 7,629 |
| CIRCLIP - Distributor cam | 2,381 |
| CIRCLIP - Front seat recliner arm | 11,392 |
| CIRCUIT BREAKER - Air cond. | 9,275 |
| CIRCUIT BREAKER - Door window reg. | 10,777 |
| CIRCUIT BREAKER - End gate window reg. | 12,276 |
| CLAMP - Air cleaner | 3,403 |
| CLAMP - Air cond. heater core | 9,217 |
| CLAMP - Air cond. modulex valve | 9,213 |
| CLAMP - Air cond. hose | 9,220 |
| CLAMP - Distributor | 2,414 |
| CLAMP - Exhaust pipe | 3,616 |
| CLAMP - Engine breather hose | 1,762 |
| CLAMP - Heater hose | 9,779 |
| CLAMP - Hose | 1,166 |
| CLAMP - Hose | 8,948 |
| CLAMP - Inlet manifold hose | 3,260 |
| CLAMP - Manifold | 3,273 |
| CLAMP - Muffler fear | 3,706 |
| CLAMP - Radiator hose | 1,166 |
| CLAMP - Spare wheel | 7,629 |
| CLAMP - Steering gear ball guide | 6,843 |
| CLAMP - Stg. gear hyd. pump hose | 6,672 |
| CLAMP - Steering shaft seal | 6,524 |
| CLAMP - Tail pipe | 3,710 |
| CLAMP - Trans. shifter rod | 4,035 |
| CLEANER - Air | 3,402 |

| | |
|---|--------|
| CLEVIS - Brake main cyl. rod | 4,662 |
| CLIP - Accelerator rod | 3,430 |
| CLIP - Air cleaner filter | 3,410 |
| CLIP - Air cond. mode duct | 9,262 |
| CLIP - Air cond. temp. door pin | 9,262 |
| CLIP - Air cond. vac. actuator link | 9,786 |
| CLIP - Air cond. wiring harness | 9,276 |
| CLIP - Automatic choke pipe | 3,720 |
| CLIP - Body wiring | 13,092 |
| CLIP - Carburettor choke rod | 3,798 |
| CLIP - Carburettor choke kick rod | 3,799 |
| CLIP - Carburettor fuel pipe | 3,202 |
| CLIP - Carburettor pump rod | 3,783 |
| CLIP - Carburettor strainer screen | 3,787 |
| CLIP - Clutch relay lever | 0,852 |
| CLIP - Crankcase ventilator hose | 1,762 |
| CLIP - Deck lid name plate | 12,182 |
| CLIP - Door belt weatherstrip | 10,712 |
| CLIP - Door control con. rod anti-rattle | 10,556 |
| CLIP - Door control link anti-rattle | 10,506 |
| CLIP - Door inside locking rod | 10,563 |
| CLIP - Door locking barrel | 10,550 |
| CLIP - Door outside handle rod | 10,529 |
| CLIP - End gate control rod | 12,241 |
| CLIP - End gate name plate | 12,182 |
| CLIP - End gate reg. escutcheon | 12,249 |
| CLIP - End gate reveal moulding | 12,174 |
| CLIP - End gate window handle | 12,247 |
| CLIP - End gate window reg. harness | 12,277 |
| CLIP - Front door ext. moulding | 12,112 |
| CLIP - Front door trim | 14,685 |
| CLIP - Front seat back spring | 11,374 |
| CLIP - Front seat cushion spring | 11,420 |
| CLIP - Hand brake lever retainer | 5,158 |
| CLIP - Hand brake warning switch | 4,610 |
| CLIP - Heat distribution duct closing panel | 9,779 |
| CLIP - Heater control lever pin | 9,779 |
| CLIP - Hood catch control rod | 8,077 |
| CLIP - Pipe or cable | 8,950 |
| CLIP - Plenum chamber control cable | 9,787 |
| CLIP - Rear door ext. moulding | 12,114 |
| CLIP - Rear door trim | 14,760 |
| CLIP - Rear quarter moulding | 12,116 |
| CLIP - Rear quarter window | 11,015 |
| CLIP - Rear seat back lock bar | 11,634 |
| CLIP - Rear seat back spring | 11,629 |
| CLIP - Rear seat cushion spring | 11,611 |
| CLIP - Rear window reveal moulding | 11,208 |
| CLIP - Rocker panel moulding | 8,304 |
| CLIP - Shock absorber tube | 7,347 |
| CLIP - Solenoid switch wire to trans. | 4,055 |
| CLIP - Speedometer cable | 4,342 |
| CLIP - Speedometer drive gear | 4,337 |
| CLIP - Starter solenoid terminal | 2,102 |
| CLIP - Stg. gear lash adj. screw | 6,822 |
| CLIP - Steering pitman shaft seal | 6,856 |
| CLIP - Stg. shaft bearing adaptor | 6,524 |
| CLIP - Tail lamp reveal moulding | 12,116 |
| CLIP - Tubular lock | 8,949 |
| CLIP - Windshield reveal moulding | 10,093 |
| CLIP - Windshield washer hose | 8,798 |
| CLIP - Windshield wiper link | 10,160 |
| CLIP - Wiring harness | 2,555 |
| CLOCK - | 2,515 |
| CLUTCH - End gate handle | 12,247 |
| CLUTCH ASSEMBLY - Fan | 1,050 |

| | | | |
|---|--------|---|--------|
| CLUTCH ASSEMBLY - Trans. 2nd. & 3rd. | 4.158 | COVER - Quarter panel inner | 12.941 |
| COCK - Drain | 8.951 | COVER - Rear axle housing | 5.398 |
| COIL - Ignition | 2.170 | COVER - Rear seat back | 15.000 |
| COIL - Starter motor field | 2.049 | COVER - Rear seat back arm rest | 15.001 |
| COLLAR - Starter retaining ring | 2.096 | COVER - Rear seat cushion | 15.035 |
| COLUMN ASSY. - Steering | 6.508 | COVER - Roof vinyl | 12.810 |
| COMPARTMENT ASSY. - Inst. panel | 10.260 | COVER - Seat (Accessory) | 9.614 |
| COMPENSATOR - Carb. idle | 3.820 | COVER - Seat separator | 15.289 |
| COMPRESSOR - Air cond. | 9.170 | COVER - Spare wheel compartment | 12.180 |
| CONDENSER - Air cond. | 9.190 | COVER - Starter solenoid switch | 2.102 |
| CONDENSER ASSY. - Distributor | 2.393 | COVER - Stg. column | 6.518 |
| CONE - Differential side bearing | 5.536 | COVER - Stg. column to dash | 6.758 |
| CONE - Pinion front bearing | 5.447 | COVER - Stg. gear housing | 6.807 |
| CONE - Pinion rear bearing | 5.484 | COVER - Steering hyd. piston rack | 6.586 |
| CONE - Wiper motor armature | 10.150 | COVER - Timing gear | 0.206 |
| CONNECTOR - Brake pipe | 4.686 | COVER - Tonneau | 12.196 |
| CONNECTOR - Hand brake cable | 4.830 | COVER - Trans. | 4.105 |
| CONNECTOR - Pipe | 8.963 | COVER - Trans. control housing | 15.293 |
| CONNECTOR - Starter solenoid term. | 2.102 | COVER - Trans. governor | 4.256 |
| CONNECTOR - Trans. oil cooler pipe | 4.128 | COVER - Trans. oil pump | 4.226 |
| CONNECTOR - Trans. solenoid valve | 4.265 | COVER - Trans. rear servo | 4.241 |
| CONNECTOR - Water pump heater hose | 1.069 | COVER - Trans. servo | 4.212 |
| CONTACT - Wiper motor earth | 10.150 | COVER - Valve push rod | 0.439 |
| CONTACT SET - Distributor | 2.384 | COVER - Valve rocker | 0.386 |
| CONTACT ASSY. - Starter solenoid switch | 2.102 | COVER & PRESSURE PLATE ASSY. - Clutch | 0.861 |
| CONTAINER - Tool kit | 8.821 | COVER ASSY. - Roof fabric | 12.810 |
| CONTROL - Air conditioner | 9.788 | COWL ASSY. - Body front end | 12.803 |
| CONTROL - Choke | 3.521 | CRANK - Wiper motor | 10.150 |
| CONTROL - Door remote | 10.500 | CRANKSHAFT | 0.646 |
| CONTROL - Heater | 9.779 | CUP - Brake main cyl. piston | 4.654 |
| CONTROL - Plenum chamber outlet | 9.787 | CUP - Brake wheel cyl. | 4.667 |
| CONTROL ASSY. - End gate lock | 12.242 | CUP - Diff. side bearing | 5.536 |
| CONVERTER ASSY. - Trans. | 4.156 | CUP - Pinion front bearing | 5.447 |
| COOLER - Oil | 1.219 | CUP - Pinion rear bearing | 5.484 |
| CORE - Air cond. evaporator | 9.210 | CUP - Steering column housing | 6.518 |
| CORE - Air cond. heater | 9.217 | CUSHION - Rear seat | 15.033 |
| CORE ASSY. - Radiator | 1.219 | CYLINDER - Brake main | 4.650 |
| CORE - Shock absorber air valve | 7.347 | CYLINDER - Brake wheel | 4.665 |
| COUNTER SHAFT - Trans. | 4.428 | CYLINDER - Inst. panel door lock | 10.266 |
| COUPLING ASSY. - Steering shaft | 6.524 | CYLINDER BLOCK | 0.033 |
| COVER - Air cleaner element | 3.410 | CYLINDER HEAD ASSY. | 0.269 |
| COVER - Air cond. plenum chamber | 9.263 | DAMPER - Crankshaft | 0.659 |
| COVER - Brake adjusting hole | 5.188 | DAMPER - Timing chain | 0.726 |
| COVER - Brake main cylinder | 4.651 | DAMPER - Trans. control plunger | 4.006 |
| COVER - Body side panel | 12.948 | DEADENER - Floor panel | 15.492 |
| COVER - Carb. thermostat | 3.796 | DEADENER - Sound | 15.492 |
| COVER - Carb. automatic choke thermo. | 3.750 | DEFLECTOR - Differential pinion | 5.545 |
| COVER - Carb. idle compensator | 3.820 | DEFLECTOR - End gate dust | 9.616 |
| COVER - Choke control opening | 2.515 | DEFLECTOR - Fender mud | 9.620 |
| COVER - Clutch housing | 0.679 | DEFLECTOR - Front fender opening mud | 8.154 |
| COVER - Clutch & trans. case | 0.679 | DIAL - Fuel gauge | 2.515 |
| COVER - Converter housing | 0.679 | DIAL - Radio | 9.662 |
| COVER - Crankcase front end | 0.206 | DIAL - Trans. control indicator | 4.038 |
| COVER - Flywheel housing | 0.679 | DIAPHRAGM - Brake main cyl. cover | 4.651 |
| COVER - Front seat back | 14.800 | DIAPHRAGM - Carb. choke kick | 3.779 |
| COVER - Front seat back head restraint | 14.924 | DIAPHRAGM - Fuel pump | 3.925 |
| COVER - Front seat cushion | 14.880 | DIAPHRAGM KIT - Fuel pump | 3.925 |
| COVER - Front seat back trim arm rest | 14.801 | DIFFERENTIAL & CARRIER ASSY. | 5.504 |
| COVER - Front seat torque spring | 11.390 | DISC - Brake | 5.809 |
| COVER - Front wheel hub bearing | 5.858 | DISTRIBUTOR ASSEMBLY | 2.361 |
| COVER - Fuel gauge | 2.515 | DOOR - Air cond. | 9.262 |
| COVER - Fuel pump | 3.910 | DOOR - Fuel tank filler | 12.966 |
| COVER - Fuse panel | 2.481 | DOOR ASSY. - Front, less hardware | 12.895 |
| COVER - Heater opening | 12.803 | DOOR ASSY. - Front, with hardware | 10.351 |
| COVER - Heater control opening | 10.252 | DOOR ASSY. - Heater mode | 9.779 |
| COVER - Oil pump | 1.723 | DOOR ASSY. - Heater temp. | 9.779 |
| COVER - Park brake lever | 4.608 | DOOR ASSY. - Instrument panel compt. | 10.261 |

| | |
|--|--------|
| DOOR ASSY. — Rear, less hardware | 12.913 |
| DOOR ASSY. — Rear, with hardware | 10.373 |
| DRIVE ASSY. — Starter motor | 2.086 |
| DRIVER — End gate handle | 12.247 |
| DRIVER — End gate window reg. | 12.272 |
| DRUM — Brake | 5.809 |
| DRUM — Trans. clutch | 4.158 |
| DRUM & INPUT SHAFT — Trans. clutch | 4.153 |
| DUCT — Air cond. distribution | 9.262 |
| DUCT — Demist & heat distribution | 9.779 |
| ELBOW — Brake vacuum hose | 4.931 |
| ECCENTRIC — Clutch pedal bumper | 0.830 |
| ELBOW — Pipe | 8.963 |
| ELEMENT — Air cleaner | 3.410 |
| ELEMENT — Stg. gear hyd. pump filter | 6.630 |
| EMBLEM — Deck lid | 12.182 |
| EMBLEM — Front door | 14.691 |
| EMBLEM — Horn actuating bar | 2.820 |
| EMBLEM — Instrument panel | 2.515 |
| EMBLEM — Rad. grille | 1.265 |
| EMBLEM — Rear quarter | 12.116 |
| ENGINE ASSEMBLY | 0.000 |
| ENGINE UNIT — Oil gauge | 1.803 |
| ENGINE UNIT — Temperature gauge | 0.277 |
| EQUALISER — Hand brake cable | 4.764 |
| ESCUTCHEON — Air cond. control | 9.788 |
| ESCUTCHEON — End gate window reg. | 12.249 |
| ESCUTCHEON — Heater control | 9.779 |
| ESCUTCHEON — Inst. panel door lock | 10.266 |
| EXCLUDER — Steering pitman shaft dust | 6.856 |
| EXTENSION — Body side panel | 12.948 |
| EXTENSION — Bumper bar mounting | 7.865 |
| EXTENSION — Exhaust pipe | 3.705 |
| EXTENSION — Front floor pan | 12.972 |
| EXTENSION — Rear compt. front panel | 12.971 |
| EXTENSION — Rear window reveal moulding | 11.208 |
| EXTENSION — Tonneau rear floor | 12.986 |
| EXTENSION — Under body cross bar | 12.982 |
| EYELET | 8.954 |
| EYELET — Curtain fastener | 8.987 |
| FACIA — Instrument | 2.515 |
| FAN — Generator | 2.274 |
| FASTENER — Cowl side trim | 14.630 |
| FASTENER — Curtain | 8.987 |
| FASTENER — Front door glass bearing | 10.685 |
| FASTENER — Front fender dust shield | 8.154 |
| FASTENER — Front seat back cover | 14.800 |
| FASTENER — Front seat head restraint cov. | 14.924 |
| FASTENER — Rear quarter trim | 15.100 |
| FASTENER — Rear seat back shelf trim | 15.024 |
| FELT — Distributor shaft | 2.362 |
| FENDER ASSEMBLY — Front | 8.130 |
| FERRULE — End gate handle | 12.247 |
| FERRULE — Gearshift lever boot | 4.015 |
| FERRULE — Locking knob | 10.559 |
| FILLER — Quarter panel | 12.940 |
| FILLER — Rear quarter window sash | 11.007 |
| FILLER — Tonneau floor front | 12.582 |
| FILTER — Air cleaner | 3.410 |
| FILTER ASSY. — Oil | 1.835 |
| FILTER — Brake vacuum servo booster | 4.903 |
| FILTER — Carburettor fuel | 3.787 |
| FILTER — Stg. gear hyd. pump | 6.630 |
| FILTER — Windshield washer reservoir | 8.798 |
| FINGER GUARD — Fan | 1.270 |
| FINGER — Wiper motor earth | 10.150 |

| | |
|---|--------|
| FITTING — Lubrication | 8.984 |
| FITTING — Speedometer driven gear | 4.338 |
| FITTING — Stg. gear hyd. valve hose | 6.673 |
| FITTING — Tube and pipe | 8.963 |
| FLANGE — Differential pinion | 5.545 |
| FLANGE — Exhaust pipe packing | 3.610 |
| FLASHER — Trailer harness | 9.644 |
| FLASHER — Turn signal | 2.892 |
| FLOAT & LEVER ASSY. — Carb. | 3.773 |
| FLOOR — Tonneau | 12.580 |
| FLUID — Brake | 8.800 |
| FLUID — Windshield washer | 8.800 |
| FLYWHEEL | 0.666 |
| FORK — Clutch | 0.795 |
| FORK — Trans. shift shaft 1st and reverse | 4.304 |
| FORK — Trans. shift shaft 2nd and 3rd. | 4.303 |
| FRAME ASSEMBLY | 7.003 |
| FRAME — Licence plate | 7.799 |
| FRAME — Rear window | 11.200 |
| FRAME — Starter motor com. end | 2.067 |
| FRAME ASSEMBLY — Front end | 12.980 |
| FRAME ASSEMBLY — Front seat | 11.373 |
| FRAME ASSEMBLY — Rear seat back | 11.628 |
| FRAME ASSEMBLY — Rear seat cushion | 11.610 |
| FRAME ASSEMBLY — Windshield | 12.807 |
| FRONT SUSPENSION ASSEMBLY | 6.007 |
| FUSE | 2.481 |
| FUSE | 8.965 |
| GASKET — Air cleaner | 3.410 |
| GASKET — Air cleaner to carburettor | 3.403 |
| GASKET — Air cond. duct | 9.262 |
| GASKET — Air cond. evaporator | 9.169 |
| GASKET — Air cond. heater pipes | 9.217 |
| GASKET — Air cond. resistor | 9.275 |
| GASKET — Axle housing | 5.508 |
| GASKET — Axle housing plug | 5.400 |
| GASKET — Carburettor air horn | 3.765 |
| GASKET — Carburettor by-pass jet | 3.757 |
| GASKET — Carb. check valve plug | 3.784 |
| GASKET — Carburettor flange | 3.726 |
| GASKET — Carburettor fuel filter | 3.787 |
| GASKET — Carburettor idle compensator | 3.820 |
| GASKET — Carburettor main body | 3.749 |
| GASKET — Carburettor main metering jet plug .. | 3.756 |
| GASKET — Carburettor needle valve seat | 3.772 |
| GASKET — Carburettor power jet | 3.757 |
| GASKET — Carburettor pump jet | 3.757 |
| GASKET — Carburettor pump | 3.758 |
| GASKET — Carburettor thermo. cover | 3.796 |
| GASKET — Clutch gear brg. retainer | 4.358 |
| GASKET — Crankcase frt. end cover | 0.207 |
| GASKET — Cylinder head | 0.289 |
| GASKET — Cyl. head water outlet | 1.154 |
| GASKET — Deck lid lock cylinder | 12.248 |
| GASKET — Distributor | 2.362 |
| GASKET — Door locking barrel | 10.550 |
| GASKET — Door outside handle | 10.538 |
| GASKET — Door remote control | 10.516 |
| GASKET — End gate lock escutcheon | 12.249 |
| GASKET — End gate regulator handle | 12.249 |
| GASKET — Exhaust manifold valve | 3.642 |
| GASKET — Fuel pump bowl | 3.904 |
| GASKET — Fuel pump flange | 3.932 |
| GASKET — Fuel pump mounting plate | 3.932 |
| GASKET — Fuel pump valve | 3.913 |
| GASKET — Fuel tank filler pipe | 3.008 |

| | |
|--|--------|
| GASKET - Inlet manifold water outlet | 3,216 |
| GASKET - Manifold | 3,270 |
| GASKET - Oil filler cap | 1,517 |
| GASKET - Oil filter | 1,837 |
| GASKET - Oil pan drain plug | 1,453 |
| GASKET - Oil pressure reg. spring | 1,611 |
| GASKET - Oil pressure reg. valve | 1,609 |
| GASKET - Oil pump cover | 1,724 |
| GASKET - Oil pump suction pipe | 1,656 |
| GASKET - Oil pump to block | 1,654 |
| GASKET - Parking & turn signal lamp lens | 2,590 |
| GASKET - Rear axle housing cover | 5,399 |
| GASKET - Rear axle housing plug | 5,400 |
| GASKET - Rear side lamp lens | 2,684 |
| GASKET - Round closed | 8,955 |
| GASKET - Starter solenoid switch | 2,102 |
| GASKET - Stg. gear hsg. cover | 6,809 |
| GASKET - Tail and stop lamp | 2,684 |
| GASKET - Thermostat housing | 1,252 |
| GASKET - Timing gear cover | 0,207 |
| GASKET - Trans. cover | 4,109 |
| GASKET - Trans. drain plug | 4,103 |
| GASKET - Trans. extension housing | 4,318 |
| GASKET - Trans. filler plug | 4,103 |
| GASKET - Trans. modulator | 4,265 |
| GASKET - Trans. oil cooler pipe | 4,128 |
| GASKET - Trans. oil pan | 4,196 |
| GASKET - Trans. oil pan screw | 4,195 |
| GASKET - Trans. oil pump | 4,226 |
| GASKET - Trans. oil suction screen | 4,223 |
| GASKET - Trans. rear extension housing | 4,318 |
| GASKET - Trans. rear servo cover | 4,241 |
| GASKET - Trans. servo cover | 4,212 |
| GASKET - Trans. solenoid | 4,265 |
| GASKET - Trans. valve plate | 4,265 |
| GASKET - Valve push rod cover | 0,443 |
| GASKET - Valve rocker cover | 0,423 |
| GASKET - Water pump to block | 1,079 |
| GASKET KIT - Carburettor | 3,724 |
| GASKET KIT - Transmission | 4,005 |
| GASKET SET - Cylinder head | 0,289 |
| GASKET SET - Engine | 0,010 |
| GASKET SET - Engine overhaul | 0,001 |
| GASKET UNIT - Oil pan | 1,429 |
| GATE - Trans. control selector | 4,016 |
| GATE - Upper end | 12,178 |
| GATE ASSEMBLY - End | 12,179 |
| GAUGE - Fuel | 2,515 |
| GAUGE - Fuel, tank unit | 3,107 |
| GAUGE - Oil, engine unit | 1,803 |
| GAUGE - Oil pressure | 2,515 |
| GAUGE - Temperature | 2,515 |
| GAUGE - Temp. engine unit | 0,277 |
| GEAR - Camshaft | 0,736 |
| GEAR - Crankshaft | 0,728 |
| GEAR - Clutch | 4,351 |
| GEAR - Counter | 4,421 |
| GEAR - Differential side | 5,528 |
| GEAR - Distributor | 2,374 |
| GEAR - Flywheel ring | 0,673 |
| GEAR - Mainshaft first speed | 4,418 |
| GEAR - Mainshaft reverse | 4,418 |
| GEAR - Main shaft second speed | 4,395 |
| GEAR - Oil pump (Set) | 1,659 |
| GEAR - Pitman | 6,850 |
| GEAR - Reverse idler | 4,430 |
| GEAR - Speedometer drive | 4,337 |

| | |
|--|--------|
| GEAR - Speedometer driven | 4,337 |
| GEAR - Third speed | 4,415 |
| GEAR - Trans. front sun | 4,159 |
| GEAR - Trans. governor | 4,256 |
| GEAR - Trans. input sun | 4,177 |
| GEAR - Trans. ring | 4,187 |
| GEAR & DRUM ASSEMBLY - Reaction sun | 4,177 |
| GEAR & PINION ASSY. - Diff. | 5,529 |
| GEAR & PINION PKG. - End gate window motor | 12,280 |
| GEAR & SHAFT - Wiper motor | 10,150 |
| GEAR ASSEMBLY - Steering | 6,508 |
| GEAR KIT - Oil pump drive | 1,643 |
| GEAR PACKAGE - Distributor | 2,374 |
| GEAR SET - Differential | 5,527 |
| GEAR UNIT - Speedometer drive | 4,337 |
| GENERATOR ASSEMBLY | 2,275 |
| GLASS - End gate | 11,204 |
| GLASS - Front door | 10,681 |
| GLASS - Rear door | 10,741 |
| GLASS - Rear door rear | 10,827 |
| GLASS - Rear quarter side | 11,011 |
| GLASS - Rear window | 11,204 |
| GLASS - Windshield | 10,027 |
| GOVERNOR ASSY. - Transmission | 4,256 |
| GOVERNOR - Transmission | 4,256 |
| GRILLE - Cowl ventilator | 10,307 |
| GRILLE - Radiator | 1,266 |
| GRILLE - Rear body pillar pressure valve | 12,942 |
| GRIP - Handbrake lever | 4,592 |
| GROMMET | 8,956 |
| GROMMET - Air cond. harness | 9,276 |
| GROMMET - Air cond. pipe | 9,220 |
| GROMMET - Body wiring harness | 13,092 |
| GROMMET - Brake cable | 4,826 |
| GROMMET - Choke control | 3,521 |
| GROMMET - Distributor coil lead | 2,401 |
| GROMMET - Fuel vent pipe | 3,003 |
| GROMMET - Hand brake cable | 4,834 |
| GROMMET - Heater core | 9,779 |
| GROMMET - Hood catch control rod | 8,076 |
| GROMMET - Rear licence lamp | 2,705 |
| GROMMET - Shock absorber tube | 7,347 |
| GROMMET - Spare wheel hoist handle | 7,630 |
| GROMMET - Start. switch cable outlet | 2,101 |
| GROMMET - Sun visor | 10,203 |
| GROMMET - Trans. control cross shaft | 4,040 |
| GROMMET - Valve cover to block vent | 1,745 |
| GROMMET - Windshield washer nozzle | 8,798 |
| GROMMET - Wiring | 2,561 |
| GUARD - Bumper | 9,624 |
| GUARD - Door edge | 9,628 |
| GUARD - Fan finger | 1,270 |
| GUARD - Fuel tank stone | 3,001 |
| GUARD - Head lamp stone | 9,632 |
| GUIDE - Brake cable | 4,829 |
| GUIDE - End gate plunger | 12,241 |
| GUIDE - Front door glass | 10,702 |
| GUIDE - Front seat head restraint | 11,376 |
| GUIDE - Hand brake button release | 4,594 |
| GUIDE - Rear quarter window | 11,040 |
| GUIDE - Steering gear ball return | 6,842 |
| GUIDE - Speedometer driven gear | 4,337 |
| GUTTER - Roof drip | 12,811 |
| HANDLE - Deck lid lift | 12,182 |
| HANDLE - Door outside | 10,527 |
| HANDLE - Door pull-to | 9,640 |
| HANDLE - Door remote control | 10,512 |

| | |
|--|--------|
| HANDLE - Door window regulator | 10.797 |
| HANDLE - End gate | 12.247 |
| HANDLE - Front seat adjuster | 11.588 |
| HANDLE - Fuel tank cap | 3.028 |
| HANDLE - Gearshift control lever | 4.009 |
| HANDLE - Lifting jack | 8.820 |
| HANDLE - Rear seat back lock | 11.634 |
| HANDLE - Rear quarter window regulator | 11.044 |
| HANDLE - Spare wheel comp. cover | 12.238 |
| HANDRAIL | 9.636 |
| HARNESS - Air cond. wiring | 9.276 |
| HARNESS - End gate window regulator | 12.277 |
| HARNESS - Rear lamp | 2.694 |
| HARNESS - Rear licence lamp | 2.714 |
| HARNESS - Rear quarter lamp | 11.940 |
| HARNESS - Trailer wiring | 9.644 |
| HARNESS ASSY. - Body wiring | 13.090 |
| HARNESS ASSY. - Courtesy lamp | 11.950 |
| HARNESS ASSY. - Engine | 2.555 |
| HARNESS ASSY. - Front & rear door window | 10.777 |
| HARNESS ASSY. - Instrument | 2.555 |
| HARNESS ASSY. - Lighting | 2.555 |
| HARNESS ASSY. - Main wiring | 2.555 |
| HARNESS ASSY. - Tachometer | 2.520 |
| HEAD ASSY. - Cylinder | 0.269 |
| HEAD RESTRAINT | 14.796 |
| HEADLAMP ASSY. | 2.725 |
| HEADLINING ASSY. | 14.640 |
| HINGE - Rear seat back | 11.630 |
| HINGE - Seat separator | 12.802 |
| HINGE - Tonneau floor front | 12.581 |
| HINGE ASSY. - Deck lid | 12.184 |
| HINGE ASSY. - End gate | 12.184 |
| HINGE ASSY. - Front door lower | 10.454 |
| HINGE ASSY. - Front door upper | 10.450 |
| HINGE ASSY. - Hood | 8.015 |
| HINGE ASSY. - Inst. panel compt. door | 10.262 |
| HINGE ASSY. - Rear door lower | 10.460 |
| HINGE ASSY. - Rear door upper | 10.456 |
| HOG RING - Front seat back spring | 11.374 |
| HOG RING - Front seat cushion spring | 11.420 |
| HÖIST - Spare wheel | 7.640 |
| HOLDER - Carburettor choke tube | 3.795 |
| HOLDER - Bulb | 2.555 |
| HOLDER - Starter motor brush | 2.052 |
| HOOD - Ornament package | 8.055 |
| HOOK - Coat | 14.651 |
| HOOK - Seat belt stowage | 14.799 |
| HORN ASSEMBLY | 2.810 |
| HORN ASSEMBLY - Carburettor air | 3.763 |
| HOSE - Air conditioner | 9.220 |
| HOSE - Air cond. blower motor | 9.215 |
| HOSE - Air cond. vacuum | 9.281 |
| HOSE - Brake | 4.680 |
| HOSE - Brake vacuum servo | 4.931 |
| HOSE - Carb. choke heat | 3.799 |
| HOSE - Choke heat | 3.720 |
| HOSE - Engine breather | 1.762 |
| HOSE - Fuel line | 3.163 |
| HOSE - Fuel tank filler | 3.003 |
| HOSE - Fuel tank vent | 3.003 |
| HOSE - Heater | 9.779 |
| HOSE - Inlet manifold water | 3.260 |
| HOSE - Radiator | 1.159 |
| HOSE - Steering gear hydraulic | 6.670 |
| HOSE - Spark control | 2.424 |
| HOSE - Tonneau floor drain | 10.997 |

| | |
|---|--------|
| HOSE - Windshield washer | 8.798 |
| HOSE - Vapour return | 3.159 |
| HOUSING - Air cond. evaporator | 9.169 |
| HOUSING - Clutch | 0.683 |
| HOUSING - Converter | 0.683 |
| HOUSING - Distributor | 2.362 |
| HOUSING - Gen. slip ring end plate | 2.297 |
| HOUSING - Heater | 9.779 |
| HOUSING - Rear axle | 5.387 |
| HOUSING - Starter motor drive | 2.085 |
| HOUSING - Steering column | 6.518 |
| HOUSING - Steering gear | 6.803 |
| HOUSING - Steering gear hyd. pump | 6.608 |
| HOUSING - Tail, stop & turn signal lamp | 2.680 |
| HOUSING - Transmission extension | 4.317 |
| HOUSING - Trans. clutch drum | 4.169 |
| HOUSING - Trans. control | 15.290 |
| HOUSING - Trans. control indicator | 4.038 |
| HOUSING - Thermostat | 1.251 |
| HOUSING - Wiper motor | 10.150 |
| HOUSING & LENS - Instrument illumination | 2.515 |
| HUB - Front wheel | 6.307 |
| HUB - Trans. clutch | 4.164 |
| HUB - Water pump and fan pulley | 1.063 |
| IMPELLER - Air cond. blower | 9.215 |
| IMPELLER - Heater motor | 9.779 |
| INDICATOR - Timing | 0.210 |
| INDICATOR - Trans. oil level | 4.133 |
| INDICATOR ASSY. - Oil level | 1.516 |
| INLET - Air cond. air | 9.211 |
| INLET - Inlet manifold water | 3.260 |
| INSERT - Brake main cyl. tube | 4.652 |
| INSERT - Carb. main body | 3.762 |
| INSERT - Rad. grille emblem | 1.265 |
| INSERT - Rear window reveal | 11.208 |
| INSERT - Trans. control housing | 15.293 |
| INSTRUMENT ASSY. - Combined | 2.515 |
| INSULATOR - Air cond. modulex valve | 9.213 |
| INSULATOR - Air cond. water valve | 9.275 |
| INSULATOR - Air cond. evaporator & blower | 9.169 |
| INSULATOR - Cab. mounting | 7.020 |
| INSULATOR - Choke heat pipe | 3.720 |
| INSULATOR - Clutch strut | 0.852 |
| INSULATOR - Dash panel | 15.280 |
| INSULATOR - Front seat cushion | 14.890 |
| INSULATOR - Front stabiliser shaft | 7.242 |
| INSULATOR - Gearshift control trunnion to rod | 4.019 |
| INSULATOR - Gearshift 1st. & rev. shift | 4.020 |
| INSULATOR - Gearshift 2nd. & 3rd. shift | 4.019 |
| INSULATOR - Lever & support to floor | 4.015 |
| INSULATOR - Muffler | 3.704 |
| INSULATOR - Rear spring | 7.545 |
| INSULATOR - Starter field coil | 2.049 |
| INSULATOR - Steering column | 6.785 |
| INSULATOR - Tail pipe | 3.710 |
| INSULATOR - Trans. control rod | 4.040 |
| INSULATOR - Trans. shifter rod | 4.035 |
| INSULATOR - Windshield wiper motor mounting | 10.152 |
| JACK ASSEMBLY - Lifting | 8.820 |
| JACKET - Steering column | 6.518 |
| JET - Carburettor main discharge | 3.754 |
| JET - Carburettor main metering | 3.754 |
| JET - Carb. power | 3.757 |
| JET - Carb. pump, by-pass | 3.757 |
| JOURNAL ASSY. - Universal joint | 5.548 |
| KEY - Stg. gear hyd. pump | 6.614 |
| KEY - Trans. synchroniser | 4.384 |

| | |
|---|--------|
| KEY - Valve stem | 0.310 |
| KEY - Woodruff | 8.960 |
| KEYBLANK | 8.800 |
| KIT - Ball joint seal & clamp | 6.168 |
| KIT - Brake caliper seal | 4.667 |
| KIT - Brake lining | 5.018 |
| KIT - Brake main cylinder repair | 4.649 |
| KIT - Brake wheel cylinder repair | 4.665 |
| KIT - Camshaft bearing | 0.536 |
| KIT - Camshaft gear | 0.736 |
| KIT - Carburettor gasket | 3.724 |
| KIT - Carburettor idle vent valve | 3.764 |
| KIT - Carburettor repair | 3.725 |
| KIT - Clutch main cylinder repair | 0.902 |
| KIT - Connecting rod bearing | 0.616 |
| KIT - Crankshaft bearing | 0.094 |
| KIT - Cylinder head gasket | 0.289 |
| KIT - Differential gear | 5.527 |
| KIT - Distributor contact | 2.384 |
| KIT - Distributor gear | 2.374 |
| KIT - Engine overhaul gasket | 0.001 |
| KIT - Front stabiliser stud | 7.240 |
| KIT - Fuel pump diaphragm | 3.925 |
| KIT - Fuel pump repair | 3.901 |
| KIT - Gen. drive end. brg. cover plate sundry parts | 2.307 |
| KIT - Generator sundry parts | 2.315 |
| KIT - Oil pan gasket | 1.429 |
| KIT - Oil pump cover | 1.723 |
| KIT - Oil pump drive gear | 1.643 |
| KIT - Piston ring | 0.643 |
| KIT - Rear spring mounting stud | 7.529 |
| KIT - Rear spring shackle | 7.523 |
| KIT - Spark plug | 2.270 |
| KIT - Spark plug wire | 2.239 |
| KIT - Speedometer cable | 4.342 |
| KIT - Stabiliser spacer stud | 7.240 |
| KIT - Stg. conn. rod idler lever | 6.895 |
| KIT - Stg. gear hyd. pump rotor | 6.610 |
| KIT - Stg. gear hyd. pump seal | 6.609 |
| KIT - Stg. gear hyd. pump vane | 6.610 |
| KIT - Transmission gasket | 4.005 |
| KIT - Transmission overhaul | 4.003 |
| KIT - Transmission repair | 4.003 |
| KIT - Trans. snap ring | 4.005 |
| KIT - Universal joint repair | 5.548 |
| KIT - Water jacket core plug | 0.033 |
| KIT - Water pump gasket | 1.071 |
| KIT - Water pump repair | 1.071 |
| KNOB - Door locking rod | 10.559 |
| KNOB - Front seat recliner adjuster | 11.389 |
| KNOB - Gearshift lever | 4.009 |
| KNOB - Heater control | 9.779 |
| KNOB - Ins. panel door lock | 10.266 |
| KNOB - Turn signal lamp switch | 2.897 |
| KNUCKLE - Steering | 6.020 |
| LABEL - Fan warning | 8.823 |
| LACE - End gate belt finishing | 11.207 |
| LACE - Headlining | 14.650 |
| LACE - Tonneau floor | 12.580 |
| LACING - Hood ledge | 9.127 |
| LAMP - Instrument panel comp. | 10.270 |
| LAMP - Parking & turn signal | 2.585 |
| LAMP ASSEMBLY - Dome | 11.925 |
| LAMP ASSEMBLY - Rear comp. | 11.960 |
| LAMP ASSEMBLY - Rear licence plate | 2.700 |
| LAMP ASSEMBLY - Rear side | 2.679 |
| LAMP ASSEMBLY - Tail and stop | 2.679 |

| | |
|---|--------|
| LAMP ASSEMBLY - Turn signal | 2.679 |
| LEAD - Air cond. wiring | 9.276 |
| LEAD - Courtesy light switch | 11.950 |
| LEAD - Cigarette lighter | 9.709 |
| LEAD - Distributor terminal | 2.400 |
| LEAD - Dome lamp | 11.925 |
| LEAD - End gate window reg. | 12.277 |
| LEAD - Inst. panel comp. lamp | 10.270 |
| LEAD - Heated rear window | 9.778 |
| LEAD - Parking & turn signal lamp | 2.596 |
| LEAD - Power window circuit breaker | 10.777 |
| LEAD - Quarter corner lamp | 11.940 |
| LEAD - Rear compartment lamp | 11.960 |
| LEAD - Starter motor brush | 2.055 |
| LEAD - Tachometer | 2.520 |
| LEAD ASSY. - Horn | 2.810 |
| LEAD IN - Antenna | 9.662 |
| LEAF - Rear spring | 7.505 |
| LENS - Dome lamp | 11.928 |
| LENS - Instrument warning | 2.515 |
| LENS - Parking & turn signal lamp | 2.589 |
| LENS - Quarter corner lamp | 11.940 |
| LENS - Rear side lamp | 2.682 |
| LENS - Tail and stop lamp | 2.682 |
| LEVER - Air cond. control | 9.788 |
| LEVER - Brake adjuster | 5.103 |
| LEVER - Carb. actuating torsion | 3.732 |
| LEVER - Carburettor choke | 3.791 |
| LEVER - Carburettor fast idle | 3.792 |
| LEVER - Carburettor fast idle cam | 3.735 |
| LEVER - Carburettor pump | 3.780 |
| LEVER - Carburettor thermostat | 3.797 |
| LEVER - Carburettor throttle | 3.731 |
| LEVER - Clutch pedal rod | 0.830 |
| LEVER - Clutch | 0.795 |
| LEVER - Clutch push rod | 0.852 |
| LEVER - Clutch relay | 0.852 |
| LEVER - Door inside locking | 10.556 |
| LEVER - Gearshift | 4.006 |
| LEVER - Gearshift 1st. & rev. shift | 4.020 |
| LEVER - Gearshift 2nd. & 3rd. shift | 4.019 |
| LEVER - Hand brake actuating | 5.149 |
| LEVER - Heater control | 9.779 |
| LEVER - Mode control | 9.779 |
| LEVER - Parking brake | 4.592 |
| LEVER - Rear door inside locking | 10.556 |
| LEVER - Reverse shifter | 4.316 |
| LEVER - Starter motor shift | 2.108 |
| LEVER - Steering conn. rod idler | 6.895 |
| LEVER - Throttle relay | 3.430 |
| LEVER - Transmission control | 4.006 |
| LEVER - Trans. control | 4.030 |
| LEVER - Trans. control | 4.040 |
| LEVER - Trans. external control | 4.041 |
| LEVER - Trans. parking lock & range selector .. | 4.279 |
| LEVER - Trans. 1st. & rev. shift | 4.050 |
| LEVER - Trans. 2nd. & 3rd. shift | 4.046 |
| LEVER - Trans. shifter shaft | 4.045 |
| LEVER - Turn signal lamp switch | 2.897 |
| LEVER & BRACKET - Accelerator pedal | 3.451 |
| LEVER & RATCHET - Brake | 4.591 |
| LID - Seat separator | 12.801 |
| LID - Trans. control housing | 15.292 |
| LID ASSEMBLY - Deck | 12.181 |
| LIFTER ASSY. - Hydraulic valve | 0.459 |
| LIGHTER ASSEMBLY - Cigarette | 9.709 |
| LINER - Rear spring | 7.504 |

"HQ" PARTS CATALOGUE

| | |
|---|--------|
| LINING - Brake | 5.018 |
| LINK - Air cond. vacuum actuator | 9.786 |
| LINK - Brake adjuster | 5.105 |
| LINK - Brake wheel cylinder | 4.675 |
| LINK - Door hinge | 10.466 |
| LINK - Fuel pump | 3.931 |
| LINK - Fusible | 2.555 |
| LINK - Trans. manual valve lever | 4.265 |
| LINK - Windshield wiper motor | 10.159 |
| LOCATOR - Camshaft thrust | 0.533 |
| LOCK - Clutch gear bearing | 4.356 |
| LOCK - Deck lid | 12.242 |
| LOCK - Diff. bearing adj. nut | 5.539 |
| LOCK - End gate | 12.242 |
| LOCK - Front door | 10.470 |
| LOCK - Hood | 8.079 |
| LOCK - Ignition | 2.188 |
| LOCK - Instrument panel door | 10.266 |
| LOCK - Manifold bolt | 3.275 |
| LOCK - Rear door | 10.473 |
| LUGGAGE RACK PACKAGE | 9.661 |
| MAGNET - Chip collector | 4.103 |
| MAIN SHAFT - Transmission | 4.403 |
| MANIFOLD - Exhaust | 3.601 |
| MANIFOLD - Inlet | 3.265 |
| MANUAL - Owner | 8.823 |
| MANUAL - Workshop | 8.823 |
| MAT - Cargo compartment | 9.656 |
| MAT - Front floor | 15.286 |
| MAT - Luggage comp. floor | 15.294 |
| MAT - Rear floor | 15.306 |
| MEMBER - Frame front | 7.012 |
| MEMBER - Frame side | 12.980 |
| MEMBER - Frame intermediate | 7.013 |
| MEMBER - Frame rear | 7.014 |
| MEMBER - Hoist support | 7.013 |
| MEMBER - Underbody cross | 12.982 |
| MEMBER - Underbody side | 12.982 |
| MIRROR ASSY. - Rear vision | 10.185 |
| MIRROR - Sun visor vanity | 10.220 |
| MODULATOR - Trans. vacuum | 4.265 |
| MOTOR - Air cond. blower | 9.215 |
| MOTOR - End gate window regulator | 12.280 |
| MOTOR - Heater | 9.779 |
| MOTOR ASSY. - Front door window | 10.784 |
| MOTOR ASSY. - Rear door window | 10.792 |
| MOTOR ASSY. - Rear quarter window | 11.043 |
| MOTOR ASSY. - Starter | 2.041 |
| MOTOR ASSY. - Windshield wiper | 10.150 |
| MOULDING - Deck lid | 12.182 |
| MOULDING - End gate | 12.182 |
| MOULDING - End gate opening garnish | 12.176 |
| MOULDING - End gate opening reveal | 12.174 |
| MOULDING - Front door exterior | 12.112 |
| MOULDING - Front fender | 8.132 |
| MOULDING - Rear door exterior | 12.114 |
| MOULDING - Rear end panel | 12.121 |
| MOULDING - Rear quarter | 12.116 |
| MOULDING - Rear window reveal | 11.208 |
| MOULDING - Rocker panel | 8.304 |
| MOULDING - Roof side | 12.075 |
| MOULDING - Tail lamp reveal | 12.116 |
| MOULDING - Windshield reveal | 10.093 |
| MOULDING PACKAGE - Body side | 8.132 |
| MOUNT - Body | 7.020 |
| MOUNTING - Engine | 0.027 |
| MOUNTING - Rear axle bumper | 7.536 |

| | |
|---|--------|
| MOUNTING - Trans. control lever | 4.010 |
| MOUNTING - Trans. support | 4.081 |
| MUFFLER - Air cond. | 9.189 |
| MUFFLER ASSEMBLY | 3.701 |
| NAME PLATE - Deck lid | 12.182 |
| NAME PLATE - End gate | 12.182 |
| NAME PLATE - Radiator grille | 1.265 |
| NIPPLE - Brake vacuum servo | 4.931 |
| NIPPLE - Coil insulating | 2.258 |
| NIPPLE - Dist. cap insulating | 2.258 |
| NIPPLE - Heater hose | 9.779 |
| NIPPLE - Lubrication | 8.984 |
| NOZZLE - Carburettor pump | 3.758 |
| NOZZLE - Timing gear oil | 0.748 |
| NOZZLE - Windshield washer | 8.798 |
| NUT - Air cond. | 9.169 |
| NUT - Air cond. compressor brace | 9.171 |
| NUT - Air cond. condenser | 9.190 |
| NUT - Air cond. impeller | 9.215 |
| NUT - Brake adjusting | 5.111 |
| NUT - Carb. choke tube holder | 3.795 |
| NUT - Carb. fast idle lever attaching | 3.792 |
| NUT - Carburettor fuel filter | 3.787 |
| NUT - Carb. idle vent valve | 3.764 |
| NUT - Carburettor pump lever | 3.781 |
| NUT - Clutch gear bearing retainer | 4.357 |
| NUT - Clutch push rod | 0.839 |
| NUT - Connecting rod bolt | 0.626 |
| NUT - Differential bearing adj. | 5.537 |
| NUT - Differential pinion flange | 5.545 |
| NUT - Door outside handle rod | 10.529 |
| NUT - Generator rotor | 2.280 |
| NUT - Heater impeller | 9.779 |
| NUT - Headlamp adjusting | 2.729 |
| NUT - Headlamp rim | 2.728 |
| NUT - Hexagon | 8.915 |
| NUT - Hexagon jam | 8.916 |
| NUT - Hexagon self locking | 8.918 |
| NUT - Hexagon slotted | 8.917 |
| NUT - Manifold | 3.275 |
| NUT - Pitman arm shaft | 6.861 |
| NUT - Rear quarter window guide | 11.040 |
| NUT - Rear quarter window sash | 11.007 |
| NUT - Shock absorber mounting | 7.370 |
| NUT - Spare wheel | 7.633 |
| NUT - Square | 8.923 |
| NUT - Stamped | 8.921 |
| NUT - Starter shift lever screw | 2.108 |
| NUT - Stg. gear hyd. pump pulley | 6.655 |
| NUT - Stg. gear worm adjuster | 6.830 |
| NUT - Steering hyd. rack adj. screw | 6.585 |
| NUT - Steering tie rod | 6.234 |
| NUT - Stop light switch | 2.447 |
| NUT - Wheel hub, bolt | 5.813 |
| NUT - Wing | 8.920 |
| NUT - Wiper motor | 10.150 |
| "O" RING - Air conditioner | 9.220 |
| "O" RING - Gearshift lever boot | 4.015 |
| "O" RING - Steering shaft | 6.524 |
| "O" RING - Transmission oil filler tube | 4.133 |
| "O" RING - Trans. oil pump | 4.226 |
| "O" RING - Trans. solenoid & connector | 4.265 |
| OIL - Radiator | 8.800 |
| OUTLET - Air cond. vent | 9.262 |
| OUTLET - Cylinder head water | 1.153 |
| OUTLET - Heater | 9.779 |
| OUTLET - Inlet manifold water | 3.260 |

| | | | |
|--|--------|--|--------|
| OVERHAUL KIT — Transmission | 4.003 | PILLAR — Body side | 12.950 |
| PACKING — Exhaust pipe | 3.611 | PILLAR — Door lock striker | 12.491 |
| PACKING — Oil pan seal | 1.429 | PILLAR — End gate body | 12.951 |
| PAD — Brake pedal | 4.625 | PILLAR — Front body | 12.805 |
| PAD — Centre pillar trim | 14.731 | PIN — Accelerator pedal | 3.451 |
| PAD — Clutch pedal | 0.830 | PIN — Air cond. hinge | 9.262 |
| PAD — Front seat back | 14.802 | PIN — Brake anchor | 5.055 |
| PAD — Front seat cushion | 14.890 | PIN — Brake main cylinder rod clevis | 4.662 |
| PAD — Front seat head restraint | 14.925 | PIN — Brake shoe hold down | 5.041 |
| PAD — Headlining trim | 14.641 | PIN — Carb. fast idle cam | 3.736 |
| PAD — Instrument panel | 14.655 | PIN — Carb. fast idle rod | 3.793 |
| PAD — Rear quarter panel | 14.641 | PIN — Carb. float fulcrum | 3.775 |
| PAD — Rear seat arm rest | 15.002 | PIN — Carburettor pump | 3.783 |
| PAD — Rear seat back | 15.002 | PIN — Carburettor pump piston | 3.778 |
| PAD — Rear seat cushion | 15.036 | PIN — Clevis | 8.942 |
| PAD — Rear vision mirror | 10.187 | PIN — Clutch housing locating | 0.683 |
| PAD — Steering hyd. rack adjusting | 6.585 | PIN — Clutch pedal lever | 0.830 |
| PAD — Wiper motor | 10.150 | PIN — Converter housing locating | 0.683 |
| PAD SET — Brake | 5.018 | PIN — Cotter | 8.938 |
| PAN — Engine oil | 1.426 | PIN — Deck lid hinge | 12.186 |
| PAN — Engine splash | 8.112 | PIN — Differential pinion shaft | 5.518 |
| PAN — Front & centre floor | 12.972 | PIN — Distributor gear | 2.379 |
| PAN — Rear floor | 12.981 | PIN — Door hinge | 10.466 |
| PAN — Transmission oil | 4.195 | PIN — Dowel | 8.939 |
| PANEL — Air cond. duct closing | 9.262 | PIN — End gate handle | 12.247 |
| PANEL — Back | 12.966 | PIN — End gate hinge | 12.186 |
| PANEL — Body side | 12.948 | PIN — End gate regulator | 12.272 |
| PANEL — Bumper bar trim | 7.831 | PIN — Front window regulator | 10.783 |
| PANEL — Centre pillar | 12.491 | PIN — Fuel pump rocker arm | 3.921 |
| PANEL — Cowl side trim | 14.630 | PIN — Fuel tank filler door | 12.966 |
| PANEL — Cowl top | 12.805 | PIN — Groove | 8.940 |
| PANEL — Dash | 12.804 | PIN — Heater & mode lever | 9.779 |
| PANEL — End gate | 12.179 | PIN — Hood safety catch | 8.036 |
| PANEL — End gate body pillar | 12.951 | PIN — Oil pump gear | 1.643 |
| PANEL — End gate trim | 15.311 | PIN — Piston | 0.636 |
| PANEL — Front body pillar garnish | 10.051 | PIN — Rear quarter window roller | 11.007 |
| PANEL — Front door | 12.895 | PIN — Rear window regulator | 10.791 |
| PANEL — Front seat head restraint | 11.376 | PIN — Rear quarter window regulator | 11.042 |
| PANEL — Fuse | 2.481 | PIN — Seat separator hinge | 12.802 |
| PANEL — Heat distribution duct closing | 9.779 | PIN — Shock absorber mounting | 7.370 |
| PANEL — Hood | 8.000 | PIN — Spring | 8.941 |
| PANEL — Instrument | 10.230 | PIN — Starter brush holder | 2.052 |
| PANEL — Inst. facia closing | 2.515 | PIN — Starter drive end dowel | 2.054 |
| PANEL — Package tray trim | 15.024 | PIN — Starter shift lever | 2.108 |
| PANEL — Quarter | 12.940 | PIN — Stg. gear hyd. pump | 6.608 |
| PANEL — Quarter inner | 12.941 | PIN — Steering shaft coupling | 6.524 |
| PANEL — Radiator front end | 1.266 | PIN — Taper | 8.940 |
| PANEL — Radiator support | 1.270 | PIN — Trans. accumulator piston | 4.233 |
| PANEL — Rear body lock pillar | 12.942 | PIN — Trans. brake band anchor | 4.251 |
| PANEL — Rear comp. front | 12.971 | PIN — Transmission detent cam | 4.311 |
| PANEL — Rear door | 12.913 | PIN — Trans. detent roller | 4.279 |
| PANEL — Rear end | 12.966 | PIN — Transmission dowel | 4.003 |
| PANEL — Rear quarter inner | 12.941 | PIN — Trans. parking brake nut | 4.275 |
| PANEL — Rear quarter outer | 12.940 | PIN — Trans. rear servo | 4.241 |
| PANEL — Rocker | 12.934 | PIN — Trans. servo piston | 4.228 |
| PANEL — Roof | 12.810 | PIN — Wiper motor | 10.150 |
| PANEL — Seat back & package tray | 12.958 | PINION — Differential | 5.526 |
| PANEL — Upper end gate | 12.178 | PINION PKG. — Front door window | 10.784 |
| PANEL — Wheelhouse | 12.944 | PINION PKG. — Rear door window | 10.792 |
| PASTE — Gasket & thermo switch | 8.800 | PINION PKG. — Rear quarter window | 11.043 |
| PAWL — Door locking barrel | 10.550 | PINION SET — Planet carrier | 4.177 |
| PAWL — End gate lock cylinder | 12.248 | PIPE — Brake | 4.685 |
| PAWL — Hand brake ratchet | 4.595 | PIPE — Carburettor fuel | 3.201 |
| PAWL — Trans. parking brake | 4.294 | PIPE — Crankcase vent | 1.762 |
| PEDAL — Accelerator | 3.451 | PIPE — Exhaust | 3.609 |
| PEDAL — Brake | 4.625 | PIPE — Fuel | 3.158 |
| PEDAL — Clutch | 0.830 | PIPE — Fuel tank filler | 3.003 |

"HQ" PARTS CATALOGUE

| | | | |
|---|--------|---|--------|
| PIPE - Fuel tank vent | 3.003 | PLATE - Shock absorber mounting | 7.370 |
| PIPE - Muffler tail | 3.705 | PLATE - Starter brush holder | 2.052 |
| PIPE - Oil cooler | 4.128 | PLATE - Stg. gear hyd. pump | 6.612 |
| PIPE - Radiator overflow | 1.219 | PLATE - Support mounting | 10.187 |
| PIPE - Spark control | 2.424 | PLATE - Transmission clutch | 4.163 |
| PIPE - Trans. governor oil | 4.248 | PLATE - Trans. control indicator lamp | 4.038 |
| PIPE - Trans. oil cooler | 4.128 | PLATE - Trans. oil pump wear | 4.226 |
| PIPE - Trans. vacuum modulator | 4.205 | PLATE - Trans. pinion shaft lock | 4.177 |
| PIPE - Vapour return | 3.159 | PLATE - Trans. valve transfer | 4.265 |
| PIPE ASSEMBLY - Choke heat | 3.720 | PLATE - Windshield wiper mtg. supt. | 10.152 |
| PISTON - Brake main cylinder | 4.653 | PLATE and CAM - Rear quarter window | 11.007 |
| PISTON - Brake wheel cylinder | 4.668 | PLUG - Axle housing | 5.400 |
| PISTON - Carburettor pump | 3.778 | PLUG - Brake main cylinder | 4.652 |
| PISTON - Trans. accumulator | 4.228 | PLUG - Camshaft rear bearing | 0.553 |
| PISTON - Trans. clutch | 4.166 | PLUG - Carburettor body | 3.767 |
| PISTON - Trans. rear servo | 4.241 | PLUG - Carb. metering jet | 3.755 |
| PISTON - Trans. servo | 4.228 | PLUG - Carb. pump check valve | 3.784 |
| PISTON ASSEMBLY | 0.629 | PLUG - Cigarette lighter aperture | 9.743 |
| PISTON ASSY. - Carb. vacuum power | 3.788 | PLUG - Cylinder block | 0.033 |
| PIVOT - Valve rocker arm | 0.429 | PLUG - Cylinder head | 0.269 |
| PLATE - Air cond. evaporator | 9.169 | PLUG - Dash panel seal | 12.803 |
| PLATE - Air cond. name | 9.169 | PLUG - Door weatherstrip | 10.695 |
| PLATE - Air cond. nut | 9.169 | PLUG - Expansion | 8.970 |
| PLATE - Air cond. temp. door | 9.262 | PLUG - Fuel pump rocker arm pin | 3.921 |
| PLATE - Battery retainer lock | 2.333 | PLUG - Oil pan drain | 1.453 |
| PLATE - Brake anchor pin lock | 5.056 | PLUG - Oil pressure cover hole | 1.928 |
| PLATE - Brake backing | 5.001 | PLUG - Oil pressure reg. spring | 1.611 |
| PLATE - Brake adj. lever pivot | 5.103 | PLUG - Oil pump cover | 1.723 |
| PLATE - Brake shoe guide | 5.045 | PLUG - Pipe | 8.971 |
| PLATE - Cab mounting | 7.016 | PLUG - Rear seat belt plate sealing | 12.972 |
| PLATE - Clutch | 0.886 | PLUG - Spark | 2.270 |
| PLATE - Clutch fork | 0.797 | PLUG - Stg. gear housing cover | 6.807 |
| PLATE - Clutch strut insulator | 0.852 | PLUG - Transmission case | 4.103 |
| PLATE - Deck lid & end gate moulding anchor | 12.182 | PLUG - Transmission drain | 4.103 |
| PLATE - Deck lid lock anchor | 12.242 | PLUG - Trans. oil pump | 4.226 |
| PLATE - Door lock striker | 10.571 | PLUG - Trans. output shaft | 4.175 |
| PLATE - Door paint protection | 9.658 | PLUG - Trans. valve body | 4.265 |
| PLATE - Differential pinion flange screw | 5.546 | PLUG - Thrust front door window | 10.784 |
| PLATE - Distributor breaker | 2.385 | PLUG - Thrust rear door window | 10.792 |
| PLATE - End gate lock | 12.242 | PLUG - Water jacket cylinder | 0.033 |
| PLATE - End gate lock striker | 12.237 | PLUG - Water jacket cylinder head | 0.269 |
| PLATE - End gate reg. section | 12.272 | PLUG KIT - Water jacket core | 0.033 |
| PLATE - Floor pan cover | 12.972 | PLUNGER - Cigarette lighter | 9.709 |
| PLATE - Front door ext. moulding | 12.112 | PLUNGER - Courtesy light switch | 11.950 |
| PLATE - Front door glass guide | 10.716 | PLUNGER - End gate | 12.241 |
| PLATE - Front door lower hinge anchor | 10.454 | PLUNGER - Gearshift lever | 4.006 |
| PLATE - Front door sash | 10.685 | PLUNGER - Hand brake warning lamp switch .. | 4.610 |
| PLATE - Front door scuff | 11.175 | PLUNGER - Hood catch | 8.085 |
| PLATE - Front door upper hinge anchor | 10.450 | PLUNGER - Inst. panel comp. lamp switch | 10.270 |
| PLATE - Front fender name | 8.132 | PLUNGER - Rear comp. lamp switch | 11.960 |
| PLATE - Fuel pump mounting | 3.900 | PLUNGER - Rear seat back lock | 11.634 |
| PLATE - Generator drive end | 2.305 | PLUNGER - Starter solenoid switch | 2.102 |
| PLATE - Generator slip ring end | 2.297 | PLUNGER - Trans. modulator | 4.265 |
| PLATE - Inst. facia name | 2.515 | POCKET - Front seat back rear | 14.803 |
| PLATE - Inside door handle | 10.515 | POINTER - Trans. control indicator | 4.038 |
| PLATE - Manifold bolt lock | 3.275 | PRESSURE PLATE & VALVE BODY - Vacuum servo | |
| PLATE - Quarter panel | 12.940 | booster | 4.906 |
| PLATE - Rear door lower hinge anchor | 10.460 | PROPELLER SHAFT ASSEMBLY | 5.441 |
| PLATE - Radiator grille name | 1.265 | PROTECTOR - Brake main cyl. piston | 4.654 |
| PLATE - Rear door regulator handle | 10.797 | PROTECTOR - Fuel filler pipe | 3.003 |
| PLATE - Rear door ext. moulding | 12.114 | PROTECTOR - Windshield stone | 9.660 |
| PLATE - Rear door upper hinge anchor | 10.456 | PULLEY - Crankshaft | 0.659 |
| PLATE - Rear door scuff | 11.179 | PULLEY - Generator | 2.274 |
| PLATE - Rear quarter window handle | 11.044 | PULLEY - Hand brake cable | 4.700 |
| PLATE - Reverse gear anti lash | 4.419 | PULLEY - Stg. gear hyd. pump | 6.655 |
| PLATE - Rear seat back lock | 11.634 | PULLEY - Water pump | 1.062 |
| PLATE - Rear spring & shock abs. mtg. | 7.518 | PUMP - Stg. gear hydraulic | 6.605 |
| PLATE - Trans. control cover | 4.038 | PUMP ASSEMBLY - Engine oil | 1.652 |

| | | | |
|---|--------|---|--------|
| PUMP ASSEMBLY — Fuel | 3.900 | RETAINER — End gate moulding | 12.182 |
| PUMP ASSEMBLY — Trans. oil | 4.226 | RETAINER — End gate striker plate | 12.237 |
| PUMP ASSEMBLY — Water | 1.069 | RETAINER — End gate weatherstrip | 12.270 |
| PUMP ASSEMBLY — Windshield washer | 8.798 | RETAINER — Front door glass run channel | 10.701 |
| PUSH ROD ASSY. — Brake vacuum servo booster ... | 4.907 | RETAINER — Front door trim | 14.685 |
| RACE — Trans. clutch sprag | 4.158 | RETAINER — Front seal cushion cover | 14.860 |
| RACE — Trans. rear internal gear | 4.187 | RETAINER — Front seat head restraint cover ... | 14.924 |
| RACE — Worm thrust bearing | 6.527 | RETAINER — Front stabiliser bushing | 7.243 |
| RACE and RETAINER — Trans. clutch spring | 4.158 | RETAINER — Gearshift 1st. & rev. shift | 4.020 |
| RACK — Ignition switch | 2.195 | RETAINER — Gearshift 2nd. & 3rd. shift | 4.019 |
| RACK — Steering hyd. piston | 6.586 | RETAINER — Gearshift lever boot | 4.015 |
| RADIATOR ASSEMBLY | 1.219 | RETAINER — Headlining | 14.651 |
| RADIATOR ASSEMBLY — Heater | 9.779 | RETAINER — Hood catch spring | 8.085 |
| RADIATOR SERVICE SET | 1.219 | RETAINER — Hood ledge lacing | 9.127 |
| RADIO — Air chief | 9.662 | RETAINER — Hood lock control rod | 8.077 |
| RAIL ASSEMBLY — Roof | 12.956 | RETAINER — Hood silencer | 8.009 |
| RAIL — Body side | 12.428 | RETAINER — Inlet manifold gasket | 3.270 |
| REAR AXLE ASSEMBLY | 5.386 | RETAINER — Plenum chamber control cable ... | 9.787 |
| REAR COMPARTMENT LID LOCK RELEASE PACKAGE | 12.243 | RETAINER — Rear axle bearing | 5.816 |
| RECEIVER and DEHYDRATOR — Air conditioner | 9.195 | RETAINER — Rear end moulding | 12.121 |
| REFLECTOR — Quarter corner lamp | 11.940 | RETAINER — Rear quarter moulding | 12.116 |
| REGULATOR — End gate window | 12.272 | RETAINER — Rear quarter trim | 15.101 |
| REGULATOR — Front door window | 10.783 | RETAINER — R/Quarter window weather strip ... | 11.015 |
| REGULATOR — Rear door window | 10.791 | RETAINER — Rear seat back lock plunger | 11.634 |
| REGULATOR — Rear quarter window | 11.041 | RETAINER — Rear window reveal moulding | 11.208 |
| REGULATOR — Voltage & current | 2.500 | RETAINER — Rocker panel moulding | 8.304 |
| REINFORCEMENT — Body mounting | 7.020 | RETAINER — Roof moulding cover | 12.810 |
| REINFORCEMENT — Fuel tank strap | 3.001 | RETAINER — Shock absorber tube | 7.347 |
| REINFORCEMENT — Quarter panel | 12.940 | RETAINER — Spare wheel compt. cover | 12.238 |
| REINFORCEMENT — Rear comp. front panel | 12.971 | RETAINER — Spark plug wire | 2.251 |
| REINFORCEMENT — Rear window | 12.958 | RETAINER — Speedometer cable | 4.342 |
| REINFORCEMENT — Tail pipe insulator | 3.710 | RETAINER — Speedo driven gear guide | 4.337 |
| REINFORCEMENT — Trans. support | 4.081 | RETAINER — Stg. column cover | 6.518 |
| REINFORCEMENT — Trans. valve transfer plate | 4.265 | RETAINER — Steering shaft bearing | 6.521 |
| REINFORCEMENT — Valve rocker cover | 0.413 | RETAINER — Stg. shaft "O" ring seal | 6.524 |
| RELAY — Air conditioner | 9.275 | RETAINER — Trans. clutch spring | 4.164 |
| RELAY — End gate window | 12.277 | RETAINER — Trans. control rod | 4.040 |
| RELAY — Horn | 2.815 | RETAINER — Trans. governor secondary valve | |
| RELAY — Power window | 10.777 | spring | 4.256 |
| REPAIR KIT — Brake main cylinder | 4.649 | RETAINER — Trans. control housing lid | 15.292 |
| REPAIR KIT — Brake wheel cylinder | 4.665 | RETAINER — Trans. oil pump priming valve ... | 4.226 |
| REPAIR KIT — Carburettor | 3.725 | RETAINER — Trans control indicator housing ... | 4.038 |
| REPAIR KIT — End gate window reg. | 12.272 | RETAINER — Trans. driven gear sleeve | 4.338 |
| REPAIR KIT — Fuel pump | 3.901 | RETAINER — Trans. inter. clutch race | 4.167 |
| REPAIR KIT — Transmission | 4.003 | RETAINER — Trans. servo spring | 4.233 |
| REPAIR KIT — Universal joint | 5.548 | RETAINER — Trans. rear bearing | 4.317 |
| REPAIR KIT — Water pump | 1.071 | RETAINER — Trans. rear servo piston spring ... | 4.247 |
| RESERVOIR — Stg. gear hyd. pump | 6.635 | RETAINER — Trans. shifter trunnion | 4.035 |
| RESERVOIR — Windshield washer | 8.798 | RETAINER — Upper control arm bushing | 6.164 |
| RESISTOR — Air cond. switch | 9.275 | RETAINER — Valve lifter plunger | 0.459 |
| RESISTOR — Heater blower | 9.779 | RETAINER — Windshield wiper motor insulator ... | 10.152 |
| RETAINER — Air cond. side outlet wire | 9.169 | RETAINER — Window glass upper front | 11.015 |
| RETAINER — Battery | 2.333 | RIM — Headlamp | 2.728 |
| RETAINER — Brake main cyl. piston | 4.655 | RING — Brake main cylinder lock | 4.656 |
| RETAINER — Body mounting insulator | 7.020 | RING — Camshaft gear spacing | 0.738 |
| RETAINER — Carb. choke kick rod | 3.799 | RING — Clutch gear bearing | 4.376 |
| RETAINER — Carb. fast idle rod | 3.793 | RING — Distributor cam | 2.381 |
| RETAINER — Clutch gear bearing | 4.356 | RING — End gate handle | 12.247 |
| RETAINER — Clutch relay lever pin | 0.852 | RING — Fuel gauge tank unit | 3.107 |
| RETAINER — Deck lid lock | 12.248 | RING — Generator rotor slip | 2.279 |
| RETAINER — Deck lid moulding | 12.182 | RING — Headlamp mounting | 2.726 |
| RETAINER — Dist. breaker plate ball | 2.385 | RING — Headlamp retaining | 2.731 |
| RETAINER — Distributor clamp | 2.414 | RING — Hog | 11.611 |
| RETAINER — Distributor wick | 2.364 | RING — Hog | 11.629 |
| RETAINER — Door locking barrel | 10.553 | RING — Main shaft lock | 4.412 |
| RETAINER — End gate glass channel | 11.207 | RING — Rear axle bearing retainer | 5.816 |
| RETAINER — End gate lock cyl. | 12.248 | RING — Sealing, front door | 10.784 |

"HQ" PARTS CATALOGUE

| | | | |
|--|--------|--|--------|
| RING - Sealing, rear door | 10.792 | ROD - Lighting switch | 2.486 |
| RING - Starter motor shift retaining | 2.108 | ROD - Parking brake release | 4.594 |
| RING - Starter pinion stop retaining | 2.096 | ROD - Steering connecting | 6.870 |
| RING - Steering hyd. coupling sleeve | 6.551 | ROD - Steering tie | 6.232 |
| RING - Steering gear hyd. pump | 6.609 | ROD - Throttle control | 3.430 |
| RING - Steering gear hyd. pump | 6.611 | ROD - Transmission control | 4.040 |
| RING - Steering gear hyd. pump drive | 6.614 | ROD - Trans. servo piston | 4.230 |
| RING - Steering pitman shaft seal | 6.855 | ROD - Transmission shifter | 4.035 |
| RING - Steering shaft bearing | 6.521 | ROD - Valve push | 0.426 |
| RING - Steering shaft seal retainer | 6.524 | ROD - Volume restrictor | 3.753 |
| RING - Trans. accumulator piston | 4.128 | ROLLER - Air cond. temp. door | 9.262 |
| RING - Trans. accumulator piston | 4.229 | ROLLER - Door hinge | 10.466 |
| RING - Trans. centre support | 4.162 | ROLLER - End gate regulator | 12.272 |
| RING - Trans. clutch housing snap | 4.167 | ROLLER - Front window regulator | 10.783 |
| RING - Trans. clutch hub snap | 4.164 | ROLLER - Rear quarter window guide | 11.007 |
| RING - Trans. clutch retainer | 4.128 | ROLLER - Rear quarter window regulator | 11.042 |
| RING - Trans. clutch spring snap | 4.128 | ROLLER - Rear window regulator | 10.791 |
| RING - Trans. detent cam | 4.311 | ROLLER - Trans. detent | 4.279 |
| RING - Trans. front internal gear | 4.176 | ROLLER - Trans. low clutch | 4.180 |
| RING - Trans. governor to output shaft | 4.128 | ROLLER and SPRING - Trans. detent | 4.279 |
| RING - Trans. mainshaft snap | 4.172 | ROLLER and SPRING - Trans. parking brake | 4.294 |
| RING - Trans. oil pump seal | 4.226 | ROOF ASSEMBLY | 12.810 |
| RING - Trans. output shaft snap | 4.176 | ROPE RAIL | 9.664 |
| RING - Trans. parking brake lock act. | 4.294 | ROTOR - Distributor | 2.382 |
| RING - Trans. rear accumulator piston | 4.242 | ROTOR - Generator | 2.279 |
| RING - Trans. rear strut piston snap | 4.241 | ROTOR - Stg. gear hyd. pump | 6.610 |
| RING - Trans. reverse clutch | 4.128 | ROTOR - Water pump | 1.109 |
| RING - Trans. ring gear retainer | 4.128 | ROTOR KIT - Stg. gear hyd. pump | 6.610 |
| RING - Trans. servo piston retainer | 4.128 | SCREEN - Carb. pump strainer | 3.787 |
| RING - Trans. servo piston | 4.229 | SCREEN - Fuel pump | 3.929 |
| RING - Trans. synchroniser | 4.383 | SCREEN - Insect | 9.665 |
| RING - Trans. synchroniser snap | 4.382 | SCREEN - Oil pump | 1.656 |
| RING - Wheel trim | 5.871 | SCREEN - Trans. governor oil | 4.248 |
| RING - Wiper motor pin | 10.150 | SCREEN - Trans. governor valve | 4.256 |
| RING GEAR and PINION ASSEMBLY | 5.529 | SCREEN - Trans. oil | 4.224 |
| RING SET - Piston | 0.643 | SCREW - Brake main cylinder piston | 4.656 |
| RIVET | 8.967 | SCREW - Brake main cylinder stop | 4.653 |
| RIVET - Brake lining | 5.019 | SCREW - Brake shoe adjusting | 5.110 |
| RIVET - Front door glass guide | 10.702 | SCREW - Carburettor air horn | 3.763 |
| ROD - Accelerator | 3.430 | SCREW - Carb. choke tube holder | 3.795 |
| ROD - Air cleaner | 3.403 | SCREW - Carb. choke valve | 3.789 |
| ROD - Brake main cylinder push | 4.658 | SCREW - Carb. choke wire clamp | 3.791 |
| ROD - Carburettor choke | 3.798 | SCREW - Carburettor fast idle | 3.737 |
| ROD - Carburettor choke kick | 3.799 | SCREW - Carb. fast idle cam | 3.735 |
| ROD - Carburettor fast idle | 3.793 | SCREW - Carb. compensator idle cover attaching | 3.820 |
| ROD - Carburettor pump | 3.782 | SCREW - Carb. main body | 3.748 |
| ROD - Carburettor pump | 3.783 | SCREW - Carburettor pump lever attaching | 3.781 |
| ROD - Clutch fork | 0.839 | SCREW - Carburettor pump nozzle | 3.759 |
| ROD - Clutch pedal push | 0.918 | SCREW - Carb. slow idle adj. | 3.734 |
| ROD - Clutch pull | 0.787 | SCREW - Carb. thermostat cover | 3.796 |
| ROD - Connecting | 0.603 | SCREW - Carb. throttle valve | 3.729 |
| ROD - Deck lid hinge torque | 12.187 | SCREW - Dist. breaker plate | 2.385 |
| ROD - Door control connecting | 10.556 | SCREW - Distributor condenser | 2.393 |
| ROD - Door inside locking | 10.563 | SCREW - Dist. contact | 2.387 |
| ROD - Door lock cylinder connecting | 10.507 | SCREW - Dist. vacuum control | 2.410 |
| ROD - Door outside handle | 10.529 | SCREW - End gate window motor | 12.280 |
| ROD - Door remote control | 10.506 | SCREW - Front fender attaching | 8.143 |
| ROD - End gate control | 12.241 | SCREW - Gearshift control rod | 4.019 |
| ROD - End gate torque | 12.187 | SCREW - Gearshift 1st. & rev. shift | 4.020 |
| ROD - Fuel pump push | 3.935 | SCREW - Gearshift 2nd. & 3rd. shift | 4.019 |
| ROD - Gearshift 1st. & rev. shift | 4.020 | SCREW - Headlamp beam adjusting | 2.737 |
| ROD - Gearshift 2nd. & 3rd. shift | 4.019 | SCREW - Headlamp retaining ring | 2.731 |
| ROD - Head restraint adjuster | 11.376 | SCREW - Headlamp rim | 2.728 |
| ROD - Heater mode door | 9.779 | SCREW - Hood lock bracket | 8.085 |
| ROD - Heater temp. door | 9.779 | SCREW - Horn actuating bar adaptor | 2.824 |
| ROD - Hood catch control | 8.075 | SCREW - Horn bar | 2.830 |

| | | | |
|--|--------|--|--------|
| SCREW - Horn contact adjusting | 2.819 | SEAL - Steering connecting rod | 6.870 |
| SCREW - Oil pan | 1.426 | SEAL - Steering conn. rod idler lever | 6.898 |
| SCREW - Quarter panel weatherstrip | 11.015 | SEAL - Stg. gear housing cover | 6.809 |
| SCREW - Rear door moulding ret. | 12.114 | SEAL - Steering gear hyd. pump | 6.612 |
| SCREW - Rocker panel moulding | 8.304 | SEAL - Steering gear hyd. pump outlet | 6.674 |
| SCREW - Seat separator hinge | 12.802 | SEAL - Stg. gear hyd. pump drive shaft | 6.617 |
| SCREW - Set | 8.975 | SEAL - Stg. gear hyd. pump reservoir | 6.635 |
| SCREW - Sheet metal | 8.977 | SEAL - Stg. gear worm bearing adjuster | 6.840 |
| SCREW - Solenoid switch attaching | 2.100 | SEAL - Steering hyd. coupling | 6.551 |
| SCREW - Starter brush holder | 2.052 | SEAL - Steering hyd. piston rack | 6.579 |
| SCREW - Starter brush lead | 2.055 | SEAL - Steering hyd. piston rack cover | 6.586 |
| SCREW - Starter pole shoe | 2.077 | SEAL - Steering hyd. rack adj. screw | 6.585 |
| SCREW - Starter shift lever | 2.108 | SEAL - Steering hydraulic valve | 6.550 |
| SCREW - Starter solenoid switch | 2.102 | SEAL - Steering pitman shaft | 6.855 |
| SCREW - Steering gear ball guide | 6.834 | SEAL - Steering shaft coupling | 6.524 |
| SCREW - Stg. gear housing cover | 6.807 | SEAL - Steering tie rod socket | 6.111 |
| SCREW - Stg. gear lash adjustor | 6.822 | SEAL - Trans. clutch piston | 4.166 |
| SCREW - Steering hyd. rack adjusting | 6.585 | SEAL - Trans. detent valve sleeve oil | 4.279 |
| SCREW - Tail lamp reveal moulding | 12.116 | SEAL - Trans. manual range selector shaft | 4.275 |
| SCREW - Trans. governor | 4.256 | SEAL - Trans. oil filler tube | 4.133 |
| SCREW - Trans. oil pan drain | 4.195 | SEAL - Trans. rear servo piston | 4.242 |
| SCREW - Trans. oil pump | 4.226 | SEAL - Trans. oil pump | 4.226 |
| SCREW - Trans. planet shaft | 4.177 | SEAL - Trans. parking lock & range selector shaft | 4.282 |
| SCREW - Trans. shifter shaft lever | 4.045 | SEAL - Trans. rear bearing | 4.317 |
| SCREW - Wiper motor | 10.150 | SEAL - Trans. shifter shaft | 4.309 |
| SCREW and WASHER ASSY. - Fuel pump cover | 3.910 | SEAL - Valve push rod cover bolt | 0.449 |
| SEAL - Air cond. air inlet | 9.211 | SEAL - Valve stem oil | 0.308 |
| SEAL - Air cond. evaporator | 9.169 | SEAL - Water pump | 1.123 |
| SEAL - Air cond. plenum chamber cover | 9.263 | SEAL - Windshield wiper motor | 10.152 |
| SEAL - Air cond. resistor | 9.275 | SEAL - Windshield wiper pivot | 10.161 |
| SEAL - Brake main cyl. piston | 4.654 | SEAL KIT - Ball joint | 6.168 |
| SEAL - Clutch pull rod | 0.787 | SEAL KIT - Steering gear hyd. pump | 6.609 |
| SEAL - Clutch push rod | 0.924 | SEAL KIT - Transmission | 4.005 |
| SEAL - Converter housing | 0.683 | SEALED BEAM UNIT - Headlamp | 2.727 |
| SEAL - Crankcase front end cover oil | 0.209 | SEALING COMPOUND | 8.800 |
| SEAL - Crankshaft rear bearing oil | 0.137 | SEAT - Child safety | 9.667 |
| SEAL - Dash panel | 12.803 | SEAT - Front | 14.796 |
| SEAL - Distributor | 2.362 | SEAT - Fuel pump bowl | 3.905 |
| SEAL - Duct closing panel | 9.779 | SEAT - Pitman gear control spring | 6.852 |
| SEAL - End gate trim | 15.313 | SEAT - Steering gear hose | 6.803 |
| SEAL - Front door dust | 10.470 | SEAT - Trans. clutch piston return spring | 4.165 |
| SEAL - Front door switch dust | 10.777 | SEAT - Trans. oil pump valve spring | 4.226 |
| SEAL - Front door trim | 14.694 | SEAT - Trans. rev. clutch spring | 4.189 |
| SEAL - Front fender | 8.154 | SEAT - Trans. valve body spring | 4.265 |
| SEAL - Front wheel bearing | 6.326 | SEAT - Water pump seal | 1.123 |
| SEAL - Fuel pump | 3.902 | SECTOR - Ignition switch | 2.195 |
| SEAL - Fuel tank gauge unit | 3.112 | SENDER UNIT - Engine gauges | 0.277 |
| SEAL - Gearshift lever boot retainer | 4.015 | SENDER UNIT - Oil pressure | 1.803 |
| SEAL - Heater core shroud | 9.779 | SEPARATOR - Front seat | 12.801 |
| SEAL - Heater hose connection | 1.069 | SEPARATOR - Vapour return | 3.159 |
| SEAL - Inlet manifold | 3.270 | SERVICE SET - Radiator | 1.219 |
| SEAL - Oil indicator tube | 1.516 | SHACKLE SET - Rear spring | 7.523 |
| SEAL - Oil pan end | 1.429 | SHADE - Venetian | 9.668 |
| SEAL - Pitman arm ball joint | 6.886 | SHAFT - Accelerator relay | 3.430 |
| SEAL - Plenum chamber outlet | 12.803 | SHAFT - Carburettor choke | 3.791 |
| SEAL - Rear axle oil | 5.822 | SHAFT - Carburettor throttle | 3.731 |
| SEAL - Rear axle pinion oil | 5.469 | SHAFT - Clutch control cross | 0.852 |
| SEAL - Rear body pillar pressure valve | 12.942 | SHAFT - Counter gear | 4.428 |
| SEAL - Rear bumper body | 7.833 | SHAFT - Differential pinion | 5.517 |
| SEAL - Rear door dust | 10.473 | SHAFT - Distributor | 2.372 |
| SEAL - Rear door inner panel | 14.768 | SHAFT - Front stabiliser | 7.241 |
| SEAL - Rear quarter window | 11.015 | SHAFT - Gearshift control lever | 4.030 |
| SEAL - Solenoid | 2.101 | SHAFT - Gearshift cross | 4.019 |
| SEAL - Speedometer cable | 4.342 | SHAFT - Ignition switch actuator | 2.195 |
| SEAL - Speedometer driven gear | 4.338 | SHAFT - Oil pump driven gear | 1.658 |
| SEAL - Steering column | 6.758 | | |

"HQ" PARTS CATALOGUE

| | |
|--|--------|
| SHAFT — Propeller | 5.441 |
| SHAFT — Rear axle | 5.420 |
| SHAFT — Reverse idler gear | 4.433 |
| SHAFT — Steering | 6.524 |
| SHAFT — Stg. gear hyd. pump drive | 6.614 |
| SHAFT — Trans control cross | 4.040 |
| SHAFT — Trans. main (automatic) | 4.172 |
| SHAFT — Trans. main (manual) | 4.403 |
| SHAFT — Trans. manual range selector | 4.275 |
| SHAFT — Trans. park lock & selector | 4.294 |
| SHAFT — Trans. parking brake pawl | 4.294 |
| SHAFT — Trans. planet pinion | 4.177 |
| SHAFT — Trans. shifter yoke | 4.309 |
| SHAFT — Trans. sun gear | 4.161 |
| SHAFT — Trans. turbine | 4.123 |
| SHAFT — Upper control arm | 6.164 |
| SHAFT ASSEMBLY — Trans. output | 4.175 |
| SHAFT and BEARING — Water pump | 1.108 |
| SHAFT and LEVER — Carb. choke | 3.791 |
| SHELF — Parcel | 9.672 |
| SHIELD — Air cond. heat | 9.262 |
| SHIELD — Carb. idle vent valve | 3.764 |
| SHIELD — Front fender skirt dust | 8.154 |
| SHIELD — Rear shock absorber | 7.371 |
| SHIELD — Spark plug wire | 2.251 |
| SHIELD — Starter motor heat | 2.040 |
| SHIELD — Valve stem seal | 0.308 |
| SHIFTER — Transmission control | 4.030 |
| SHIM — Air cond. compressor bracket | 9.171 |
| SHIM — Body mounting | 7.020 |
| SHIM — Control arm shaft | 6.163 |
| SHIM — Diff. side bearing | 5.537 |
| SHIM — Diff. side gear thrust | 5.543 |
| SHIM — Distributor shaft | 2.372 |
| SHIM — Pinion bearing | 5.460 |
| SHIM — Pinion locating | 5.460 |
| SHIM — Steering worm adjusting | 6.526 |
| SHIM UNIT — Crankshaft bearing | 0.153 |
| SHOCK ABSORBER ASSEMBLY | 7.345 |
| SHOE — Starter motor pole | 2.047 |
| SHOE and LINING ASSEMBLY — Brake | 5.017 |
| SHORT MOTOR | 0.033 |
| SHROUD — Heater core | 9.779 |
| SHROUD ASSEMBLY — Radiator | 1.270 |
| SILENCER — Door remote control rod | 10.506 |
| SILENCER — End gate control rod | 12.241 |
| SILENCER — Hood panel | 8.009 |
| SILENCER — Plenum chamber | 15.280 |
| SILL — Tonneau floor side | 12.986 |
| SINK — Generator heat | 2.289 |
| SKIRT — Front fender | 8.153 |
| SLEEVE — Air cond. heater outlet hose | 9.220 |
| SLEEVE — Converter pilot | 0.649 |
| SLEEVE — Distributor breaker | 2.385 |
| SLEEVE — Gearshift cross shaft | 4.019 |
| SLEEVE — Gearshift 1st. & rev. shift | 4.020 |
| SLEEVE — Gearshift 2nd. & 3rd. shift | 4.019 |
| SLEEVE — Mainshaft 1st. speed gear | 4.418 |
| SLEEVE — Reverse lockout spring | 4.030 |
| SLEEVE — Seat belt protector | 15.040 |
| SLEEVE — Steering hydraulic coupling | 6.551 |
| SLEEVE — Steering shaft | 6.524 |
| SLEEVE — Trans. control trunnion | 4.040 |
| SLEEVE — Trans. detent valve | 4.279 |
| SLEEVE — Trans. modulator pipe | 4.205 |
| SLEEVE — Trans. oil pump regulator valve | 4.226 |
| SLEEVE — Trans. parking brake actuator | 4.294 |

| | |
|--|--------|
| SLEEVE — Trans. shifter shaft | 4.309 |
| SLEEVE — Trans. vacuum modulator valve | 4.265 |
| SLEEVE — Trans. valve body | 4.265 |
| SLEEVE and SEAL ASSY. — Driven gear | 4.338 |
| SLIDE — Trans. control indicator | 4.038 |
| SLINGER — Clutch gear bearing oil | 4.374 |
| SLIP RING — Generator | 2.279 |
| SNAP RING KIT — Transmission | 4.005 |
| SOCKET — Body wiring lamp | 13.090 |
| SOCKET — Bulb | 2.555 |
| SOCKET — Courtesy lamp | 11.950 |
| SOCKET — Curtain fastener | 8.987 |
| SOCKET — Inst. panel comp. lamp | 10.270 |
| SOCKET — Parking & turn signal lamp lead | 2.596 |
| SOCKET — Rear licence lamp | 2.714 |
| SOCKET ASSY. — Steering tie rod | 6.233 |
| SOLENOID — Starter switch | 2.100 |
| SOLENOID — Transmission | 4.265 |
| SPACER — Air cond. compressor supp. | 9.171 |
| SPACER — Air cond. vacuum valve | 9.786 |
| SPACER — Body mounting insulator | 7.020 |
| SPACER — Bumper bar | 7.865 |
| SPACER — Carburettor main body | 3.748 |
| SPACER — Countershaft bearing | 4.423 |
| SPACER — Clutch pedal bumper bracket | 0.830 |
| SPACER — Distributor shaft | 2.372 |
| SPACER — Door lock striker | 10.571 |
| SPACER — End gate arm | 12.203 |
| SPACER — End gate lock striker | 12.237 |
| SPACER — Fan blade | 1.064 |
| SPACER — Gearshift control | 4.018 |
| SPACER — Generator brace | 2.317 |
| SPACER — Generator mounting | 2.277 |
| SPACER — Muffler support | 3.704 |
| SPACER — Parking & turn signal lamp | 2.585 |
| SPACER — Pinion brgs. | 5.453 |
| SPACER — Rear seat back | 15.002 |
| SPACER — Rear spring mounting | 7.530 |
| SPACER — Reverse idler gear | 4.437 |
| SPACER — Spare wheel | 7.632 |
| SPACER — Spark plug wire shield | 2.251 |
| SPACER — Stg. gear hyd. pump | 6.606 |
| SPACER — Steering hyd. coupling sleeve bearing | 6.552 |
| SPACER — Trans. centre support | 4.162 |
| SPACER — Trans. clutch plate | 4.163 |
| SPACER — Trans. planet pinion bearing | 4.177 |
| SPACER — Trans. support mounting | 4.081 |
| SPACER — Turn signal lamp | 2.679 |
| SPARK PLUG | 2.270 |
| SPEAKER — Rear seat | 9.662 |
| SPEEDOMETER | 2.515 |
| SPRAG — Trans. input | 4.158 |
| SPRAG — Trans. intermediate clutch | 4.167 |
| SPRING — Accelerator | 3.459 |
| SPRING — Brake adjuster | 5.107 |
| SPRING — Brake adj. nut | 5.026 |
| SPRING — Brake cable | 4.826 |
| SPRING — Brake hose | 4.681 |
| SPRING — Brake hose yoke | 4.681 |
| SPRING — Brake main cylinder check | 4.657 |
| SPRING — Brake main cylinder piston | 4.655 |
| SPRING — Brake pedal return | 4.639 |
| SPRING — Brake shoe hold down pin | 5.043 |
| SPRING — Brake shoe retractor | 5.026 |
| SPRING — Brake wheel cyl. cup | 4.669 |
| SPRING — Brush front door window | 10.784 |
| SPRING — Brush rear door window | 10.792 |

| | |
|---|--------|
| SPRING - Brush, rear quarter window | 11.043 |
| SPRING - Carburettor choke lever | 3.791 |
| SPRING - Carburettor float fulcrum pin | 3.775 |
| SPRING - Carburettor fuel filter | 3.787 |
| SPRING - Carburettor idle needle valve | 3.742 |
| SPRING - Carburettor idle vent valve | 3.764 |
| SPRING - Carburettor pump stem | 3.779 |
| SPRING - Carburettor slow idle adj. | 3.734 |
| SPRING - Clutch cross shaft lever push rod | 0.852 |
| SPRING - Clutch fork plate | 0.798 |
| SPRING - Clutch fork retaining | 0.844 |
| SPRING - Clutch fork return | 0.844 |
| SPRING - Clutch lever ball stud | 0.823 |
| SPRING - Clutch pedal return | 0.844 |
| SPRING - Courtesy light switch | 11.950 |
| SPRING - Diff. pre-load | 5.511 |
| SPRING - Dist. breaker plate retainer | 2.385 |
| SPRING - Distributor cap | 2.368 |
| SPRING - Distributor weight | 2.389 |
| SPRING - Door handle retaining | 10.513 |
| SPRING - Door hinge | 10.466 |
| SPRING - Door remote control handle escutcheon .. | 10.516 |
| SPRING - End gate arm | 12.207 |
| SPRING - End gate lock bar | 12.241 |
| SPRING - End gate lock | 12.242 |
| SPRING - End gate lock cylinder | 12.248 |
| SPRING - End gate window motor | 12.280 |
| SPRING - End gate window regulator | 12.272 |
| SPRING - End gate window switch | 12.275 |
| SPRING - Front | 6.361 |
| SPRING - Front door window reg. | 10.783 |
| SPRING - Front seat adjuster | 11.581 |
| SPRING - Front seat back | 11.374 |
| SPRING - Front seat cushion | 11.420 |
| SPRING - Front seat head restraint | 11.376 |
| SPRING - Front seat recliner lever | 11.389 |
| SPRING - Fuel pump diaphragm | 3.927 |
| SPRING - Fuel pump rocker arm | 3.922 |
| SPRING - Fuel tank filler door | 12.966 |
| SPRING - Gearshift anti-rattle | 4.017 |
| SPRING - Gearshift control reverse lock out | 4.030 |
| SPRING - Gearshift cross shaft | 4.010 |
| SPRING - Gearshift lever handle button | 4.009 |
| SPRING - Gearshift lever plunger | 4.006 |
| SPRING - Gearshift lever & yoke preload | 4.006 |
| SPRING - Gearshift lower control | 4.017 |
| SPRING - Generator brush | 2.286 |
| SPRING - Hand brake lever strut | 5.151 |
| SPRING - Hand brake release rod | 4.594 |
| SPRING - Headlamp light unit rim | 2.737 |
| SPRING - Heater control detent | 9.779 |
| SPRING - Hood catch | 8.085 |
| SPRING - Hood catch lock plate | 8.081 |
| SPRING - Hood hinge | 8.013 |
| SPRING - Hood safety catch | 8.036 |
| SPRING - Horn actuating bar adaptor | 2.824 |
| SPRING - Ignition switch actuator | 2.195 |
| SPRING - Inst. panel comp. lamp switch | 10.270 |
| SPRING - Inst. panel door lock | 10.266 |
| SPRING - Oil pressure regulator | 1.610 |
| SPRING - Park brake lever retaining | 4.596 |
| SPRING - Pitman gear control | 6.852 |
| SPRING - Rear | 7.503 |
| SPRING - Rear comp. lamp switch | 11.960 |
| SPRING - Rear door regulator handle | 10.797 |
| SPRING - Rear door window reg. | 10.791 |
| SPRING - Rear quarter window handle | 11.044 |

| | |
|---|--------|
| SPRING - Rear quarter window handle escutcheon | 11.045 |
| SPRING - Rear quarter window reg. centre balance | 11.041 |
| SPRING - Rear quarter window roller | 11.007 |
| SPRING - Rear seat back | 11.629 |
| SPRING - Rear seat back lock | 11.634 |
| SPRING - Rear seat cushion | 11.611 |
| SPRING - Reverse gear anti lash | 4.419 |
| SPRING - Seat torque tube | 11.390 |
| SPRING - Selector return | 4.017 |
| SPRING - Starter motor brush | 2.053 |
| SPRING - Starter solenoid switch | 2.102 |
| SPRING - Stg. gear hyd. pump | 6.612 |
| SPRING - Steering hyd. valve | 6.550 |
| SPRING - Steering shaft bearing | 6.521 |
| SPRING - Steering shaft coupling | 6.524 |
| SPRING - Synchronising cone | 4.383 |
| SPRING - Trans. accumulator piston | 4.233 |
| SPRING - Trans. accumulator valve | 4.265 |
| SPRING - Trans. clutch release | 4.164 |
| SPRING - Trans. control cross shaft | 4.040 |
| SPRING - Trans. control lever | 4.017 |
| SPRING - Trans. detent cam | 4.311 |
| SPRING - Trans. detent roller | 4.279 |
| SPRING - Trans. governor secondary valve | 4.256 |
| SPRING - Trans. oil pump valve | 4.226 |
| SPRING - Trans. parking brake pawl | 4.295 |
| SPRING - Trans. pressure regulator | 4.265 |
| SPRING - Trans. rear accumulator | 4.246 |
| SPRING - Trans. rear servo | 4.246 |
| SPRING - Trans. servo piston | 4.233 |
| SPRING - Trans. shift valve | 4.265 |
| SPRING - Valve | 0.303 |
| SPRING - Window reg. handle escutcheon | 10.806 |
| SPRING - Wiper motor | 10.150 |
| SPRING and FRAME ASSY. - Front seat | 11.373 |
| SPRING and FRAME ASSY. - Rear seat back | 11.628 |
| SPRING and FRAME ASSY. - Rear seat cushion .. | 11.610 |
| SPROCKET - Camshaft | 0.736 |
| SPROCKET - Crankshaft | 0.728 |
| STATOR - Generator | 2.310 |
| STEM - Carb. idle vent valve | 3.764 |
| STEM - Shock absorber air valve | 7.347 |
| STOP - Brake primary piston | 4.653 |
| STOP - Front door glass | 10.716 |
| STOP - Rear quarter window | 11.012 |
| STOP - Starter motor pinion | 2.096 |
| STRAP - Front seat back robe | 14.805 |
| STRAP - Fuel tank | 3.001 |
| STRAP - Heat distribution duct | 9.779 |
| STRAP - Heater earth | 9.779 |
| STRAP - Steering column jacket lower | 6.518 |
| STRAP - Wiper motor | 10.150 |
| STRAP ASSY. - Assist grip | 15.390 |
| STRAINER - Fuel tank riser pipe | 3.110 |
| STRIKER - Deck lid lock | 12.237 |
| STRIKER - End gate lock | 12.237 |
| STRIKER - Inst. panel door lock | 10.268 |
| STRIKER ASSY. - Door lock | 10.569 |
| STRIP - Door glass antirattle | 10.710 |
| STRIP - End gate wear | 12.195 |
| STRIP - Rear seat back wear | 14.818 |
| STRIP - Rear seat cushion wear | 14.818 |
| STRIP - Tonneau floor board wear | 12.195 |
| STRUT - Clutch relay lever | 0.852 |
| STRUT - Hand brake actuating lever | 5.150 |

"HQ" PARTS CATALOGUE

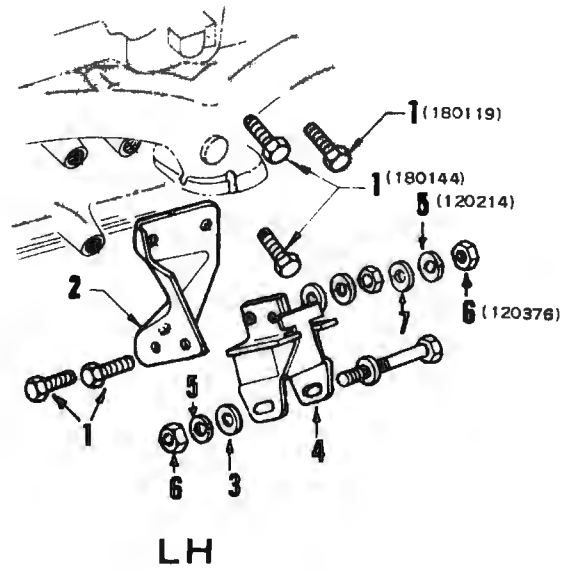
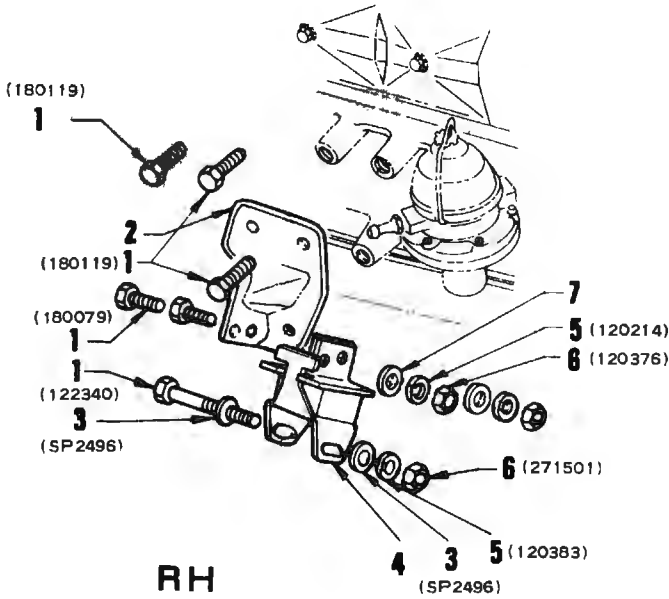
| | | | |
|---|--------|---|--------|
| STUD - Air cleaner | 3.410 | SWITCH - Solenoid detent actuating | 4.054 |
| STUD - Carburettor | 3.288 | SWITCH - Starter solenoid | 2.100 |
| STUD - Clutch fork ball | 0.796 | SWITCH - Stop light | 2.447 |
| STUD - Clutch lever | 0.796 | SWITCH - Thermo. tell tale | 0.277 |
| STUD - Curtain fastener | 8.987 | SWITCH - Turn signal lamp | 2.895 |
| STUD - Front stabiliser | 7.240 | SWITCH - Windshield wiper | 10.163 |
| STUD - Heat distribution duct | 9.779 | SWITCH - Wiper motor timing | 10.150 |
| STUD - Manifold | 3.275 | SWITCH ASSEMBLY - Front door | 10.777 |
| STUD - Rear quarter window guide | 11.040 | SWIVEL - Trans. shifter rod | 4.035 |
| STUD - Rear spring mounting | 7.529 | SYNCHRONISER ASSY. - Transmission | 4.380 |
| STUD - Spare wheel comp. door | 12.238 | TACHOMETER ASSEMBLY | 2.515 |
| STUD - Starter motor heat shield | 2.040 | TACHOMETER CONVERSION PACKAGE | 2.520 |
| STUD - Starter shift lever | 2.108 | TAG - Shock absorber caution | 7.345 |
| STUD - Starter solenoid switch | 2.102 | TAG - Shock absorber caution | 8.823 |
| STUD - Stg. gear hyd. pump mounting | 6.606 | TANK - Air cond. vacuum | 9.281 |
| STUD - Water outlet | 1.153 | TANK - Fuel | 3.001 |
| STUD - Water pump | 1.069 | TAPE PLAYER | 9.662 |
| STUD KIT - Front stabiliser | 7.240 | TEE - Air cond. vacuum hose | 9.281 |
| SUNDRY PARTS SET - Generator | 2.315 | TEE - Carb. air bleed valve | 1.762 |
| SUNDRY PARTS SET - Gen. drive end bearing cover plate | 2.307 | TEE - Water hose connection | 9.220 |
| SUNDRY PARTS SET - Heat sink mtg. | 2.289 | TENSIONER - Seat adjuster wire | 11.589 |
| SUNDRY PARTS SET - Starter motor | 2.080 | TERMINAL - Body wiring | 13.090 |
| SUNSHADE - Windshield | 9.680 | TERMINAL - Instrument harness bulb holder | 2.555 |
| SUN VISOR ASSEMBLY | 10.203 | TERMINAL - Wiper motor | 10.150 |
| SUPPORT - Air cond. condenser | 9.190 | THERMOSTAT - Carb. automatic choke | 3.750 |
| SUPPORT - Air cond. heater core | 9.217 | THERMOSTAT ASSEMBLY | 1.246 |
| SUPPORT - Air cond. heater core & temp. door | 9.262 | TONGUE - Toe bar | 9.600 |
| SUPPORT - Air cond. receiver & dehydrator | 9.195 | TOOL KIT CONTAINER | 8.821 |
| SUPPORT - Battery mounting | 2.333 | TORQUE TUBE - F/Seat recliner act. lever | 11.390 |
| SUPPORT - Body mounting | 7.020 | TRANSFER - Air cleaner | 3.402 |
| SUPPORT - End gate window reg. | 12.273 | TRANSFER - Deck lid striping | 12.182 |
| SUPPORT - Engine | 0.027 | TRANSFER - End gate | 12.182 |
| SUPPORT - Front seat adjuster lever | 11.561 | TRANSFER - Front end panel striping | 1.266 |
| SUPPORT - Gearshift control | 4.018 | TRANSFER - Front fender | 8.132 |
| SUPPORT - Gearshift control shifter | 4.010 | TRANSFER - Hood striping | 8.056 |
| SUPPORT - Hoist | 7.013 | TRANSFER - Rear quarter striping | 12.116 |
| SUPPORT - Hood lock | 8.079 | TRANSFER - Super chicken | 8.823 |
| SUPPORT - Horn contact | 2.822 | TRANSFER - Valve rocker cover | 0.388 |
| SUPPORT - Muffler | 3.704 | TRANSFER - Water splash | 8.823 |
| SUPPORT - Rear quarter window guide | 11.040 | TRANSMISSION ASSEMBLY | 4.003 |
| SUPPORT - Rear vision mirror | 10.187 | TRIM - Accelerator pedal | 3.451 |
| SUPPORT - Spark plug wire | 2.251 | TRIM - Centre pillar | 14.730 |
| SUPPORT - Stg. conn. rod idler lever | 6.896 | TRIM - Cowl side | 14.630 |
| SUPPORT - Steering column | 6.761 | TRIM - End gate | 15.311 |
| SUPPORT - Steering gear hyd. pump | 6.606 | TRIM - Front seat back rear | 14.803 |
| SUPPORT - Sun visor | 10.219 | TRIM - Package tray | 15.024 |
| SUPPORT - Tail lamp | 12.940 | TRIM - Rear seat back rear | 15.310 |
| SUPPORT - Throttle rod bearing | 3.430 | TRIM - Rear seat back shelf | 15.024 |
| SUPPORT - Tonneau cover | 12.196 | TRIM - Tonneau floor | 15.308 |
| SUPPORT - Tonneau rear floor | 12.986 | TRIM - Wheel centre | 5.871 |
| SUPPORT - Trans. centre | 4.162 | TRIM ASSEMBLY - Front door | 14.685 |
| SUPPORT KIT - Starter brush holder | 2.052 | TRIM ASSEMBLY - Rear door | 14.760 |
| SURROUND - Inst. fascia | 2.515 | TRIM ASSEMBLY - Rear quarter | 15.100 |
| SWITCH - Air cond. control | 9.275 | TRIM ASSEMBLY - Rear seat back shelf | 15.024 |
| SWITCH - Aux. driving lamp | 9.648 | TRIM ASSEMBLY - Side quarter | 15.100 |
| SWITCH - Back up lamp | 2.697 | TRIM ASSEMBLY - Wheelhouse | 15.100 |
| SWITCH - Brake pressure warning | 4.686 | TRUNNION - Gearshift 1st. & rev. shift | 4.020 |
| SWITCH - Courtesy light | 11.950 | TRUNNION - Gearshift 2nd. & 3rd. shift | 4.019 |
| SWITCH - Dimmer | 2.459 | TRUNNION - Trans. shifter rod | 4.035 |
| SWITCH - Electric antenna | 9.662 | TRUNNION - Throttle control rod | 3.430 |
| SWITCH - End gate window regulator | 12.275 | TRUNNION - Trans. control rod | 4.040 |
| SWITCH - Heated rear window | 9.778 | TUBE - Air cond. case drain | 9.211 |
| SWITCH - Heater | 9.779 | TUBE - Air cond. dehydrator to module valve | 9.220 |
| SWITCH - Ignition and starting | 2.188 | TUBE - Air cond. rec. & dehy. | 9.196 |
| SWITCH - Lighting | 2.485 | TUBE - Air cond. P.O.A.S.T. valve | 9.199 |
| SWITCH - Neutral start safety | 4.054 | TUBE - Carb. air horn vent | 3.763 |
| SWITCH - Oil pressure | 1.803 | TUBE - Carburettor idle | 3.752 |
| | | TUBE - F/Seat recliner act. lever torque | 11.390 |

| | |
|---|--------|
| TUBE – Gearshift control | 4.007 |
| TUBE – Oil level indicator | 1.516 |
| TUBE – Plenum chamber drain | 9.785 |
| TUBE – Shock absorber inflation | 7.347 |
| TUBE – Steering gear hose | 6.803 |
| TUBE – Trans. oil filler | 4.133 |
| TUBE – Vacuum hose manifold fitting | 1.762 |
| TUMBLER – End gate lock cylinder | 12.248 |
| TUMBLER – Ints. panel door lock | 10.266 |
| “U” BOLT – Exhaust pipe | 3.616 |
| “U” BOLT – Muffler to tail pipe | 3.706 |
| “U” BOLT – Rear spring | 7.516 |
| “U” BOLT – Universal joint | 5.586 |
| UNION – Pipe | 8.963 |
| VACUUM CONTROL – Distributor | 2.410 |
| VALVE – Air cond. heater water | 9.275 |
| VALVE – Air cond. module | 9.213 |
| VALVE – Air cond. P.O.A.S.T. | 9.198 |
| VALVE – Air cond. vacuum | 9.786 |
| VALVE – Air cond. vacuum check | 9.281 |
| VALVE – Body lock pillar drain | 12.942 |
| VALVE – Brake main cylinder | 4.657 |
| VALVE – Brake proportioning | 4.686 |
| VALVE – Brake wheel cylinder bleeder | 4.666 |
| VALVE – Carburettor choke | 3.789 |
| VALVE – Carburettor float needle | 3.771 |
| VALVE – Carburettor idle needle | 3.741 |
| VALVE – Carburettor idle vent | 3.764 |
| VALVE – Carburettor pump check | 3.784 |
| VALVE – Carburettor throttle | 3.792 |
| VALVE – Engine breather | 1.762 |
| VALVE – Exhaust | 0.297 |
| VALVE – Exhaust manifold | 3.642 |
| VALVE – Fuel pump | 3.909 |
| VALVE – Inlet | 0.296 |
| VALVE – Oil pressure regulator | 1.609 |
| VALVE – Rear body lock pillar pressure relief | 12.942 |
| VALVE – Stg. gear hyd. pump control | 6.624 |
| VALVE – Trans. detent | 4.279 |
| VALVE – Trans. governor | 4.256 |
| VALVE – Trans. manual control | 4.265 |
| VALVE – Trans. oil pump | 4.226 |
| VALVE – Trans. vacuum modulator | 4.265 |
| VALVE ASSEMBLY – Oil filter | 1.837 |
| VALVE BODY ASSY. – Trans. oil conn. | 4.265 |
| VALVE KIT – Carburettor idle vent | 3.764 |
| VANE – Stg. gear hyd. pump | 6.610 |
| VENT ASSY. Transmission | 4.104 |
| VERTEBRA – Wiper blade | 10.146 |
| WASHER – Air cond. compressor bracket | 9.171 |
| WASHER – Air cond. impeller | 9.215 |
| WASHER – Brake adjusting screw | 5.110 |
| WASHER – Brake hose | 4.680 |
| WASHER – Brake main cyl. rod clevis | 4.662 |
| WASHER – Brake vacuum servo booster push rod | 4.907 |
| WASHER – Carb. choke tube holder | 3.795 |
| WASHER – Carb. fast idle lever | 3.792 |
| WASHER – Carb. pump lever | 3.781 |
| WASHER – Carb. thermostat cover | 3.796 |
| WASHER – Clutch relay lever | 0.852 |
| WASHER – Counter shaft | 4.423 |
| WASHER – Crankshaft pulley | 0.659 |
| WASHER – Deck lid name plate | 12.182 |
| WASHER – Deck lid moulding sealing | 12.182 |
| WASHER – Diff. housing to carrier bolt | 5.387 |
| WASHER – Diff. pinion flange | 5.545 |
| WASHER – Diff. pinion thrust | 5.542 |

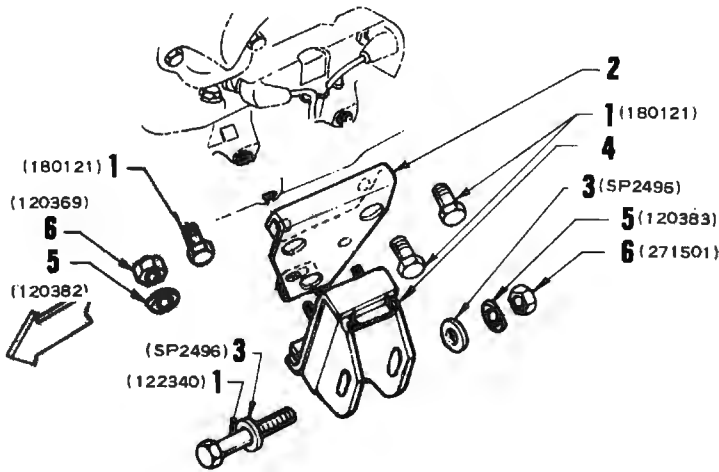
| | |
|--|--------|
| WASHER – Diff. side gear thrust | 5.543 |
| WASHER – Dist. breaker plate | 2.385 |
| WASHER – Distributor cam | 2.381 |
| WASHER – Distributor contact | 2.387 |
| WASHER – Distributor gear | 2.379 |
| WASHER – Distributor shaft | 2.372 |
| WASHER – Distributor weight | 2.388 |
| WASHER – End gate arm | 12.203 |
| WASHER – End gate handle | 12.247 |
| WASHER – End gate name plate | 12.182 |
| WASHER – Eng. support to bracket | 0.027 |
| WASHER – Finish | 8.930 |
| WASHER – Flat | 8.929 |
| WASHER – Front window regulator | 10.783 |
| WASHER – Front fender | 8.143 |
| WASHER – Fuel pump seal | 3.902 |
| WASHER – Gearshift 1st. & rev. shift | 4.020 |
| WASHER – Gear shift 2nd. & 3rd. shift | 4.019 |
| WASHER – Gearshift control lever | 4.030 |
| WASHER – Generator brace | 2.317 |
| WASHER – Generator rotor | 2.280 |
| WASHER – Generator through bolt | 2.316 |
| WASHER – Hand brake lever | 5.158 |
| WASHER – Heater impellor | 9.779 |
| WASHER – Lock | 8.931 |
| WASHER – Manifold | 3.275 |
| WASHER – Pinion bearing | 5.453 |
| WASHER – Pinion flange nut | 5.545 |
| WASHER – Pitman arm shaft | 6.861 |
| WASHER – Rear door moulding | 12.114 |
| WASHER – Rear door window regulator | 10.791 |
| WASHER – Rear quarter moulding seal | 12.116 |
| WASHER – Rear quarter guide roller | 11.007 |
| WASHER – Rear quarter window reg. | 11.041 |
| WASHER – Reverse idler gear thrust | 4.432 |
| WASHER – Shake proof | 8.932 |
| WASHER – Shock absorber mounting | 7.370 |
| WASHER – Spring | 8.928 |
| WASHER – Starter brush holder | 2.052 |
| WASHER – Starter housing bolt | 2.077 |
| WASHER – Starter shift lever | 2.108 |
| WASHER – Starter solenoid switch | 2.102 |
| WASHER – Stg. knuckle spindle nut | 6.321 |
| WASHER – Steering shaft bearing | 6.521 |
| WASHER – Trans. centre support | 4.162 |
| WASHER – Trans. clutch housing thrust | 4.169 |
| WASHER – Trans. control rod | 4.040 |
| WASHER – Trans. detent cam | 4.311 |
| WASHER – Trans. front int. gear thrust | 4.176 |
| WASHER – Trans. oil pump | 4.226 |
| WASHER – Trans. output shaft thrust | 4.176 |
| WASHER – Trans. planet pinion | 4.177 |
| WASHER – Trans. planet input sun gear thrust | 4.177 |
| WASHER – Trans. rear servo piston | 4.241 |
| WASHER – Trans. thrust | 4.129 |
| WASHER – Wiper motor | 10.150 |
| WEATHERSHIELD – Door mounting | 9.684 |
| WEATHERSTRIP – Deck lid | 12.269 |
| WEATHERSTRIP – Door belt | 10.710 |
| WEATHERSTRIP – Door glass | 10.696 |
| WEATHERSTRIP – Door opening | 10.694 |
| WEATHERSTRIP – End gate | 12.269 |
| WEATHERSTRIP – End gate glass | 11.207 |
| WEATHERSTRIP – End gate glass channel | 11.207 |
| WEATHERSTRIP – Quarter window | 11.015 |
| WEATHERSTRIP – Rear door rear glass | 10.822 |
| WEIGHT – Distributor | 2.388 |

"HQ" PARTS CATALOGUE

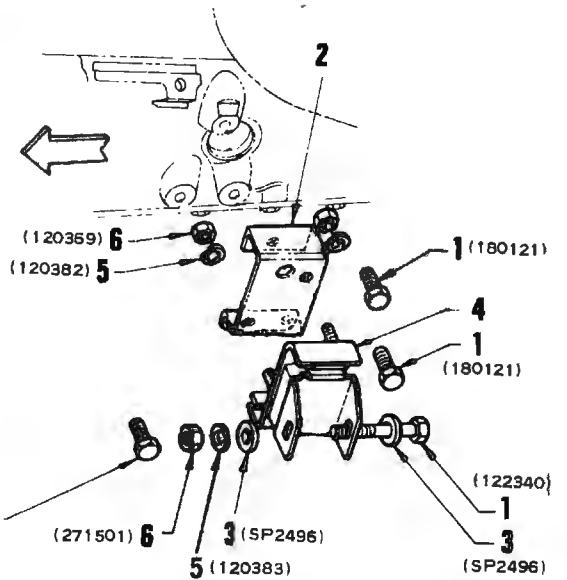
| | |
|---|--------|
| WHEEL - Steering | 6.513 |
| WHEEL ASSEMBLY - Road | 5.803 |
| WHEEL HOUSE ASSEMBLY | 12.944 |
| WICK - Distributor | 2.364 |
| WINDLACE ASSEMBLY | 15.520 |
| WIRE - Back up lamp | 2.697 |
| WIRE - Front seat adjuster | 11.589 |
| WIRE - Front seat back stay | 11.374 |
| WIRE - Front seat cushion | 11.420 |
| WIRE - Headlining listing support | 12.955 |
| WIRE ASSEMBLY - Helical tie | 11.629 |
| WIRE ASSEMBLY - Neutral starting safety switch... | 4.055 |
| WIRE ASSEMBLY - Solenoid actuating switch | 4.055 |
| WIRE UNIT - Spark plug & dist. | 2.239 |
| WORM and BALL NUT ASSEMBLY | 6.524 |
| WORM, VALVE and SLEEVE ASSEMBLY - Steering .. | 6.524 |
| YOKE - First & reverse shifter | 4.304 |
| YOKE - Trans. reverse shifter | 4.304 |
| YOKE - Trans. shifter first & second | 4.303 |
| YOKE - Trans. shifter third & fourth | 4.303 |
| YOKE - Universal joint | 5.555 |
| YOKE - Wiper motor | 10.150 |



MODELS -173, 202 Eng



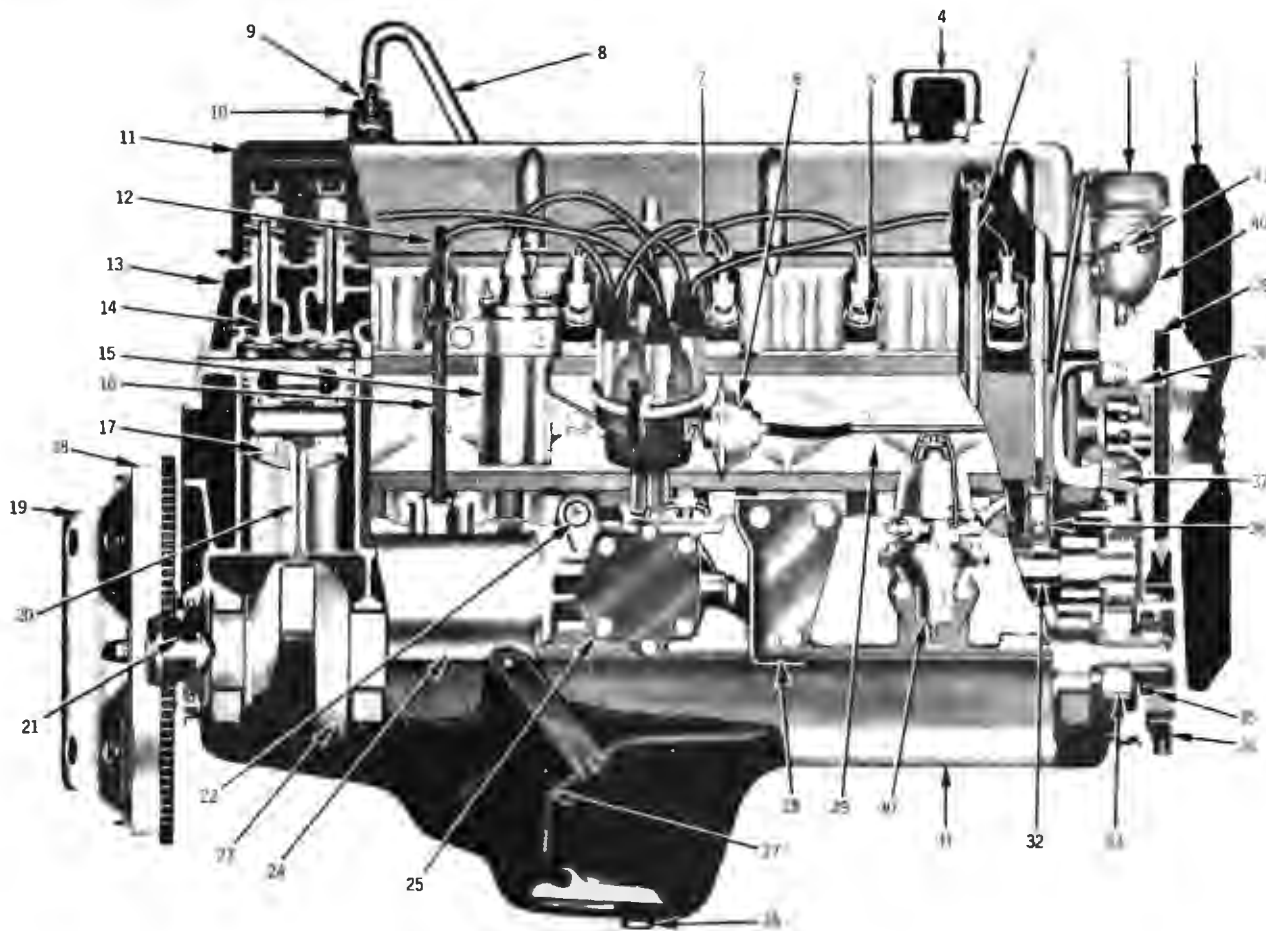
MODEL -350 Eng



MODEL -253, 308 Eng

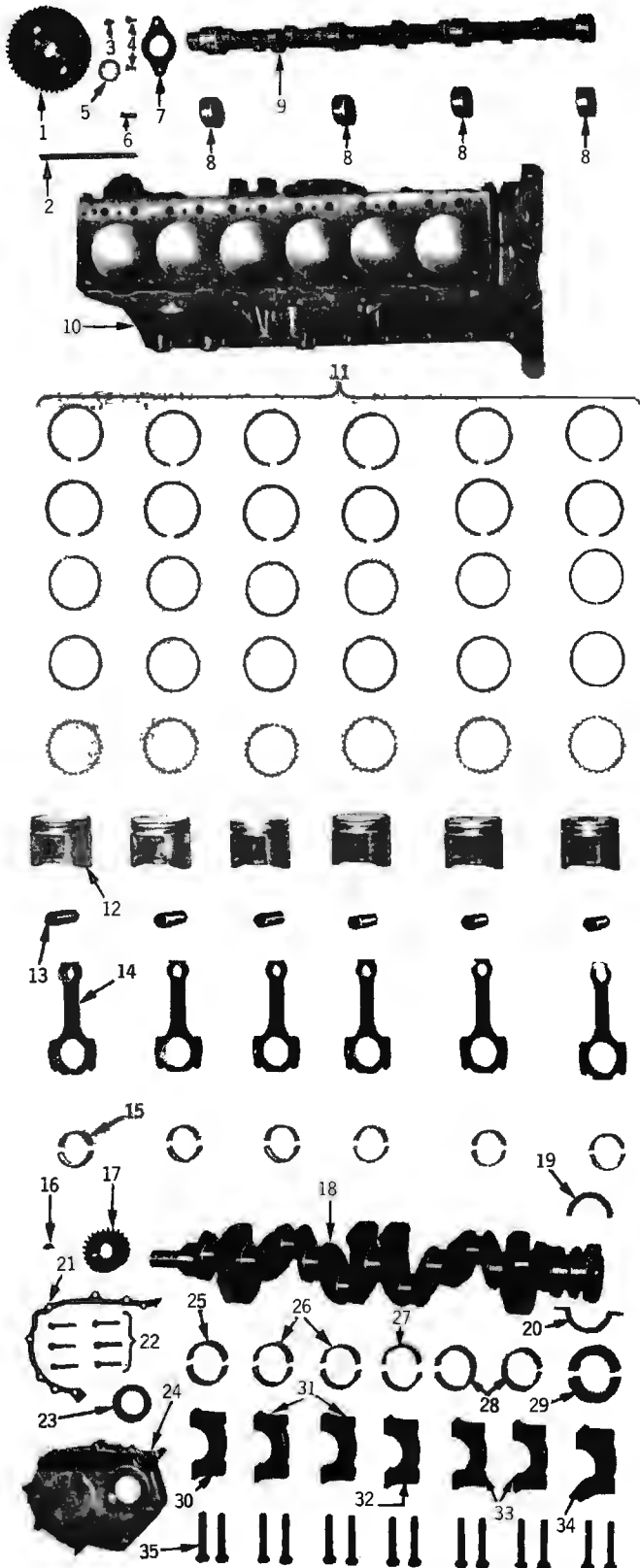
POWER PLANT MOUNTING

| ILLUS. REF. NO. | PART NAME | GROUP | ILLUS. REF. NO. | PART NAME | GROUP |
|-----------------|--------------------------------------|-------|-----------------|-----------------------------------|-------|
| 1. | BOLT - Hexagon head | 8.900 | 5. | WASHER - Lock | 8.931 |
| 2. | BRACKET ASSY. - Front mounling | 0.027 | 6. | NUT - Hexagon | 8.915 |
| 3. | WASHER - Flat | 8.929 | 7. | WASHER - Support to bracket | 0.027 |
| 4. | SUPPORT ASSY. - Front | 0.027 | | | |



ENGINE ASSEMBLY — 6 CYLINDER

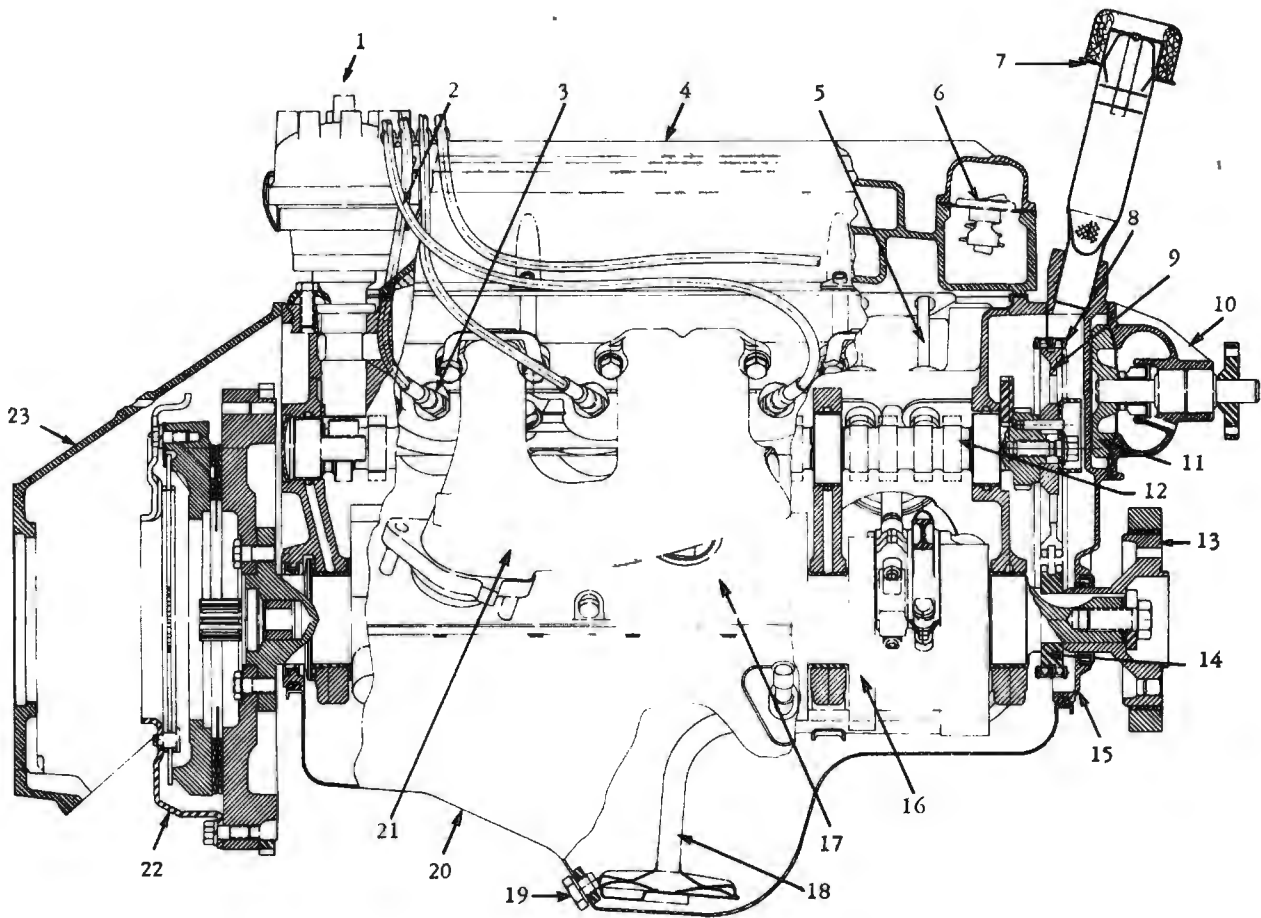
| Illus. Ref. No. | Part Name | Group | Illus. Ref. No. | Part Name | Group |
|--------------------|-------------------------------------|-------|--------------------|---------------------------------|-------|
| 1. | BLADE ASSEMBLY—Fan | 1.064 | 22. | SWITCH ASSEMBLY—Oil pressure | 1.803 |
| 2. | OUTLET—Cylinder head water | 1.153 | 23. | CRANKSHAFT | 0.646 |
| 3. | ROD—Valve push | 0.426 | 24. | FILTER ASSEMBLY—Oil | 1.835 |
| 4. | CAP ASSEMBLY—Oil filler | 1.516 | 25. | PUMP ASSEMBLY—Oil | 1.652 |
| 5. | PLUG ASSEMBLY—Spark | 2.270 | 26. | PLUG & GASKET ASSEMBLY—Oil pan | 1.453 |
| 6. | VACUUM CONTROL ASSEMBLY—Distributor | 2.410 | 27. | SCREEN ASSEMBLY—Oil pump | 1.656 |
| 7. | GASKET—Valve rocker cover | 0.423 | 28. | BRACKET ASSEMBLY—Front mounting | 0.027 |
| 8. | HOSE—Breather | 1.762 | 29. | COVER ASSEMBLY—Valve push rod | 0.439 |
| 9. | VALVE ASSEMBLY—Ventilator | 1.762 | 30. | PUMP ASSEMBLY—Fuel | 3.900 |
| 10. | GROMMET—Valve cover to block vent | 1.745 | 31. | PAN ASSEMBLY—Oil | 1.426 |
| 11. | COVER—Valve rocker | 0.386 | 32. | CAMSHAFT ASSEMBLY | 0.519 |
| 12. | INDICATOR ASSEMBLY—Oil level | 1.516 | 33. | GEAR—Crankshaft | 0.728 |
| 13. | HEAD—Cylinder | 0.269 | 34. | BALANCER ASSEMBLY—Crankshaft | 0.659 |
| 14. | VALVE | 0.296 | 35. | SEAL—Crankcase cover oil | 0.209 |
| 15. | COIL ASSEMBLY—Ignition | 2.170 | 36. | LIFTER ASSEMBLY—Hydraulic valve | 0.459 |
| 16. | TUBE—Oil level indicator | 1.516 | 37. | COVER ASSEMBLY—Crankcase | 0.206 |
| 17. | PISTON & PIN ASSEMBLY | 0.629 | 38. | PUMP ASSEMBLY—Water | 1.069 |
| 18. | FLYWHEEL ASSEMBLY | 0.666 | 39. | BELT—Fan and generator | 1.066 |
| 19. | COVER & PRESSURE PLATE ASSEMBLY | 0.861 | 40. | HOUSING—Thermostat | 1.251 |
| 20. | ROD ASSEMBLY—Connecting | 0.603 | 41. | THERMOSTAT ASSEMBLY | 1.246 |
| 21. | BEARING ASSEMBLY—Clutch pilot | 0.649 | | | |



**CYLINDER BLOCK
(6 CYLINDER ENGINE)**

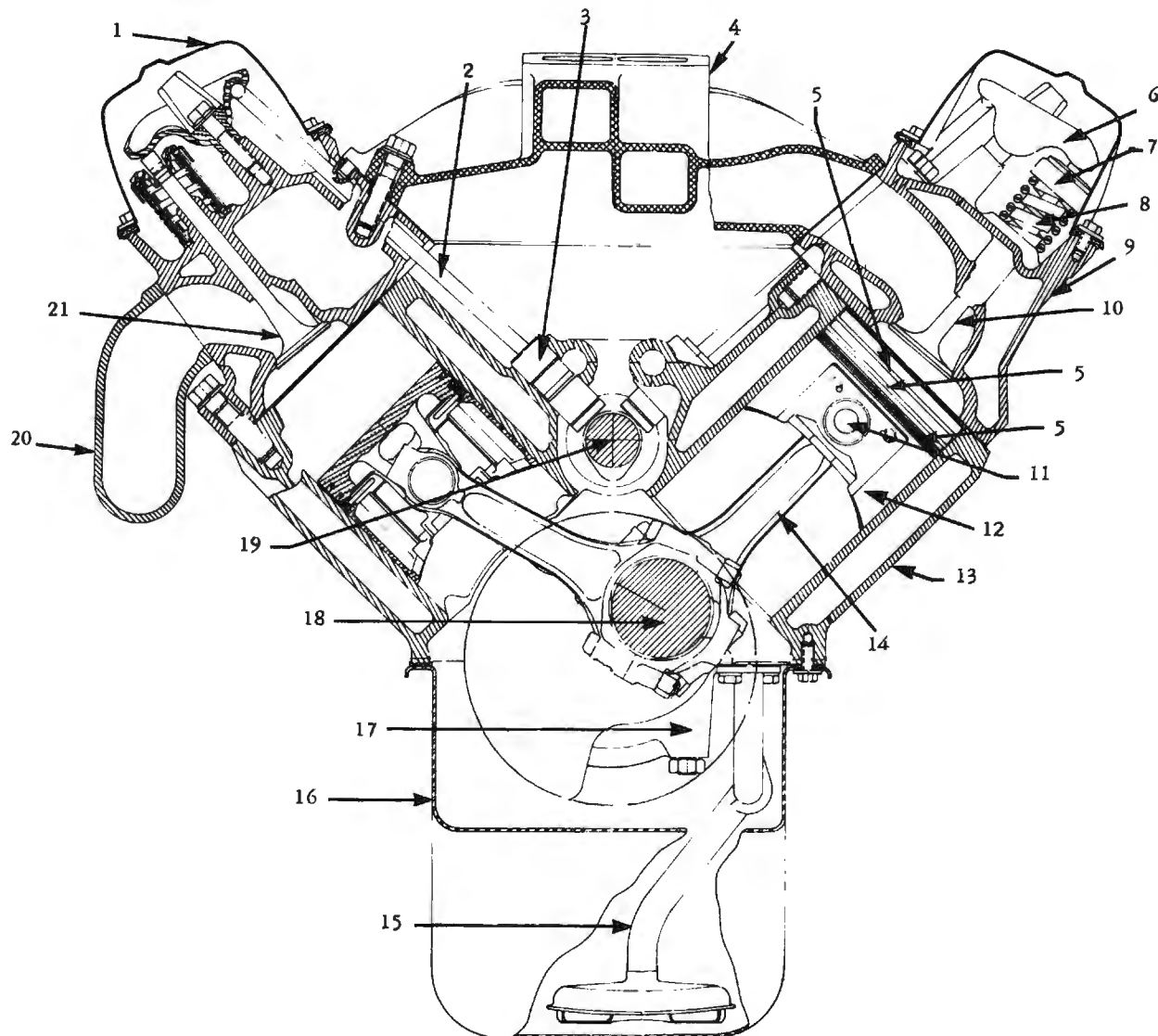
Note: The items illustrated constitute a Short Motor

| ILLUS. REF. NO. | PART NAME | GROUP |
|-----------------|--|-------|
| 1. | GEAR - Camshaft | 0.736 |
| 2. | TUBE - Oil level indicator | 1.516 |
| 3. | KEY | 8.960 |
| 4. | SCREW | 8.910 |
| 5. | RING - Camshaft gear spacing | 0.738 |
| 6. | NOZZLE - Timing gear oil | 0.748 |
| 7. | BEARING - Camshaft thrust | 0.533 |
| 8. | BEARING SET - Camshaft | 0.536 |
| 9. | CAMSHAFT | 0.519 |
| 10. | BLOCK ASSY. | 0.033 |
| 11. | RING SET - Piston | 0.643 |
| 12. | PISTON & PIN ASSY. | 0.629 |
| 13. | PIN - Piston | 0.636 |
| 14. | ROD ASSY. - Connecting | 0.603 |
| 15. | BEARING - Connecting rod | 0.616 |
| 16. | KEY | 8.960 |
| 17. | GEAR - Crankshaft | 0.728 |
| 18. | CRANKSHAFT | 0.646 |
| 19. | SEAL - Upper | 0.137 |
| 20. | SEAL - Lower | 0.137 |
| 21. | GASKET - Front end cover | 0.207 |
| 22. | BOLT - Front end cover | 0.206 |
| 23. | SEAL - Front end cover | 0.209 |
| 24. | COVER - Front end | 0.206 |
| 25. | BEARING - Front | 0.096 |
| 26. | BEARING - Front intermediate | 0.099 |
| 27. | BEARING - Centre | 0.101 |
| 28. | BEARING - Rear intermediate | 0.103 |
| 29. | BEARING - Rear | 0.106 |
| 30. | CAP - Front bearing | 0.095 |
| 31. | CAP - Front intermediate bearing | 0.098 |
| 32. | CAP - Centre bearing | 0.100 |
| 33. | CAP - Rear intermediate bearing | 0.102 |
| 34. | CAP - Rear bearing | 0.105 |
| 35. | BOLT - Bearing cap | 0.056 |



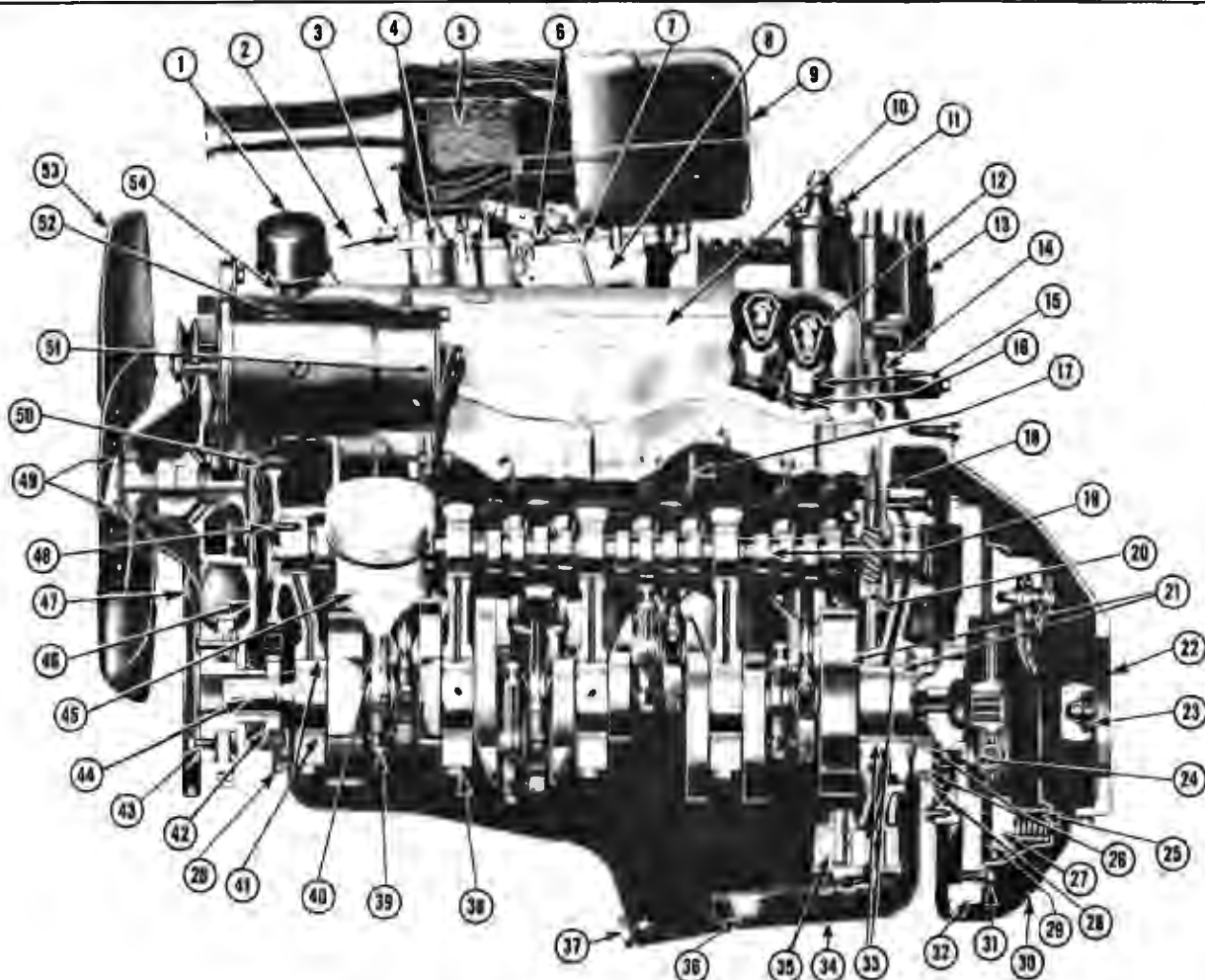
ENGINE ASSEMBLY — 253,308 ENG.

| Illus. Ref. No. | Part Name | Group | Illus. Ref. No. | Part Name | Group |
|-----------------|---------------------------|-------|-----------------|------------------------------|-------|
| 1. | DISTRIBUTOR ASSEMBLY | 2.361 | 13. | DAMPER ASSEMBLY — Crankshaft | 0.659 |
| 2. | WIRE UNIT — Spark plug | 2.239 | 14. | SPROCKET — Crankshaft | 0.728 |
| 3. | PLUG ASSEMBLY — Spark | 2.270 | 15. | COVER — Front end | 0.206 |
| 4. | COVER — Valve rocker | 0.386 | 16. | CRANKSHAFT | 0.646 |
| 5. | ROD — Valve push | 0.426 | 17. | BLOCK ASSEMBLY | 0.033 |
| 6. | THERMOSTAT ASSEMBLY | 1.246 | 18. | SCREEN ASSEMBLY — With pipe | 1.656 |
| 7. | CAP ASSEMBLY — Oil filler | 1.516 | 19. | PLUG — Drain | 1.453 |
| 8. | CHAIN — Timing | 0.724 | 20. | PAN ASSEMBLY — Oil | 1.426 |
| 9. | SPROCKET — Camshaft | 0.736 | 21. | MANIFOLD ASSEMBLY — Exhaust | 3.601 |
| 10. | PUMP ASSEMBLY — Water | 1.069 | 22. | COVER ASSEMBLY — Clutch | 0.861 |
| 11. | ROTOR — Water pump | 1.109 | 23. | HOUSING — Clutch | 0.683 |
| 12. | CAMSHAFT | 0.519 | | | |



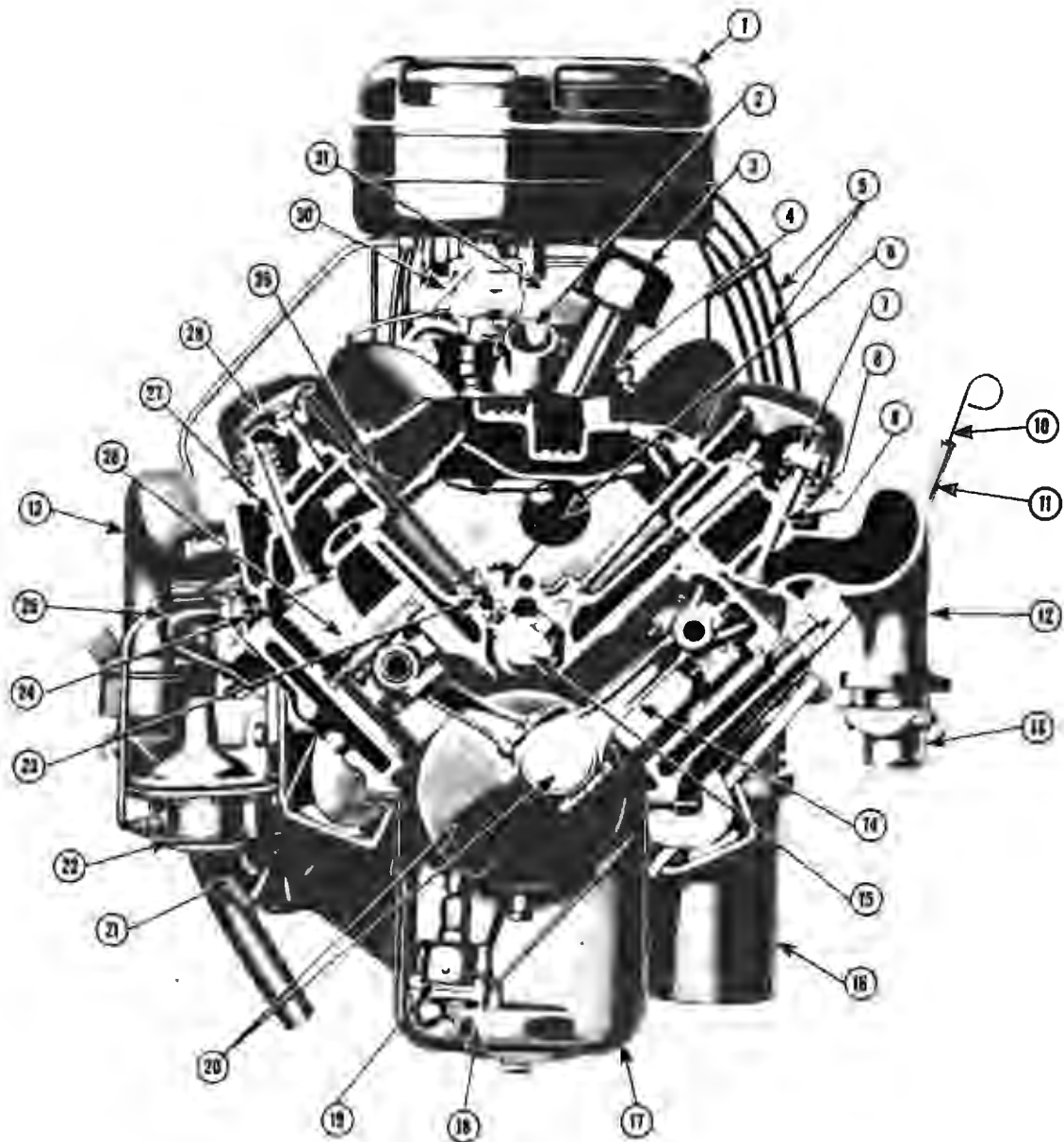
ENGINE ASSEMBLY — 253, 308 ENG.

| Illus. Ref. No. | Part Name | Group | Illus. Ref. No. | Part Name | Group |
|-----------------|--------------------------|-------|-----------------|-----------------------------|-------|
| 1. | COVER — Valve rocker | 0.386 | 12. | PISTON ASSEMBLY | 0.629 |
| 2. | ROD — Valve push | 0.426 | 13. | BLOCK ASSEMBLY | 0.033 |
| 3. | LIFTER ASSEMBLY — Valve | 0.459 | 14. | ROD ASSEMBLY — Connecting | 0.603 |
| 4. | MANIFOLD — Inlet | 3.265 | 15. | SCREEN ASSEMBLY — With pipe | 1.656 |
| 5. | RING SET — Piston | 0.643 | 16. | PAN ASSEMBLY — Oil | 1.426 |
| 6. | ARM — Valve rocker | 0.333 | 17. | CAP — Crankshaft bearing | 0.095 |
| 7. | SHIELD — Valve stem | 0.308 | 18. | CRANKSHAFT | 0.646 |
| 8. | SPRING — Valve | 0.303 | 19. | CAMSHAFT | 0.519 |
| 9. | HEAD ASSEMBLY — Cylinder | 0.269 | 20. | MANIFOLD ASSEMBLY — Exhaust | 3.601 |
| 10. | VALVE — Inlet | 0.296 | 21. | VALVE — Exhaust | 0.297 |
| 11. | PIN — Piston | 0.636 | | | |



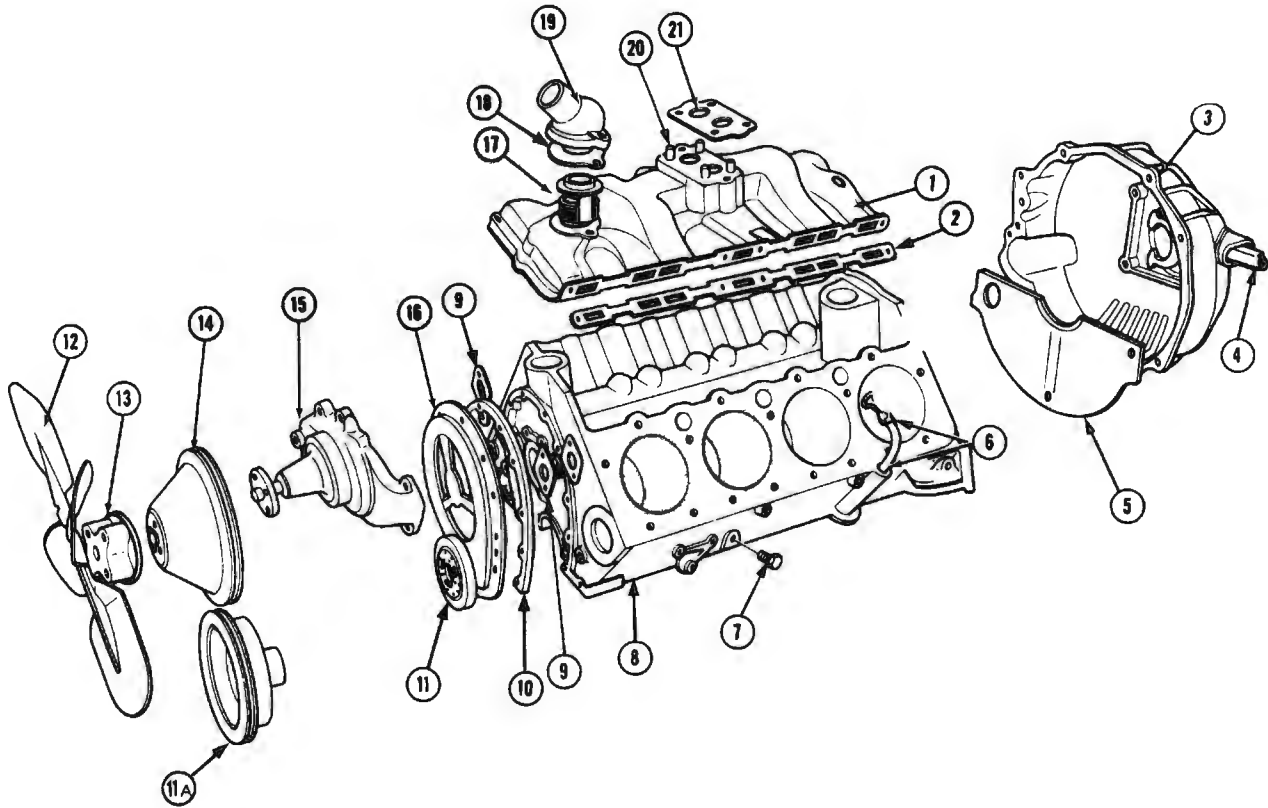
**350 ENGINE CROSS SECTION
(TYPICAL)**

| ILLUS. REF. NO. | PART NAME | GROUP | ILLUS. REF. NO. | PART NAME | GROUP |
|-----------------|---|--------|-----------------|---|-------|
| 1. | CAP ASSEMBLY – Oil filler | 1.516 | 27. | PLATE – Clutch pressure | 0.863 |
| 2. | PIPE – Carburettor lower | 3.201 | 28. | NOT APPLICABLE | |
| 3. | HOSE – Fuel filter | 3.201 | 29. | PLATE ASSEMBLY – Clutch driven | 0.886 |
| 4. | FILTER – Inlet fuel | 3.787 | 30. | COVER – Clutch housing lower | 0.679 |
| 5. | ELEMENT – Air cleaner | 3.410 | 31. | BOLT – Clutch to flywheel | 0.870 |
| 6. | ROD – Pump | 3.783 | 32. | FLYWHEEL ASSEMBLY | 0.666 |
| 7. | ROD – Choke | 3.798 | 33. | BEARING UNIT – Crankshaft rear | 0.106 |
| 8. | CARBURETTOR ASSEMBLY | 3.725 | 34. | PAN ASSEMBLY – Oil | 1.426 |
| 9. | AIR CLEANER & SILENCER ASSEMBLY | 3.402 | 35. | PUMP ASSEMBLY – Oil | 1.652 |
| 10. | COVER – Valve rocker | 0.386 | 36. | SCREEN ASSEMBLY – Oil pump | 1.656 |
| 11. | COIL ASSEMBLY – Ignition | 2.170 | 37. | PLUG & GASKET ASSY. – Oil pan drain ... | 1.453 |
| 12. | ARM – Valve rocker | 0.333 | 38. | BOLT – Crankshaft bearing cap | 0.056 |
| 13. | CAP – Distributor | 2.367 | 39. | NUT – Connecting rod bolt | 0.626 |
| 14. | VACUUM CONTROL ASSY. – Distributor.. | 2.410 | 40. | ROD ASSEMBLY – Connecting | 0.603 |
| 15. | CAP – Valve spring | 0.309 | 41. | BEARING UNIT – Crankshaft front | 0.096 |
| 16. | SPRING – Valve | 0.303 | 42. | SPROCKET – Crankshaft | 0.728 |
| 17. | ROD – Valve push | 0.426 | 43. | DAMPER ASSEMBLY – Crankshaft | 0.659 |
| 18. | SHAFT – Distributor | 2.372 | 44. | KEY – Woodruff | 0.728 |
| 19. | CAMSHAFT | 0.519 | 45. | PISTON & PIN ASSEMBLY | 0.629 |
| 20. | SHAFT – Dist. to oil pump intermediate .. | 1.639 | 46. | COVER ASSY. – Crankcase front end | 0.206 |
| 21. | CRANKSHAFT ASSEMBLY | 0.646 | 47. | BELT – Fan | 1.066 |
| 22. | HOUSING – Clutch | 0.683 | 48. | BOLT – Sprocket | 0.736 |
| 23. | LEVER – Clutch | 0.795 | 49. | BOLT – Hexagon | 8.900 |
| 24. | BOLT – Flywheel to crankshaft | 0.669 | 50. | CHAIN – Camshaft timing | 0.724 |
| 25. | SPRING – Clutch | N.S.S. | 51. | COVER – Generator slip ring end plate ... | 2.297 |
| 26. | SEAL – Oil pan front & rear | 1.429 | 52. | GENERATOR ASSEMBLY | 2.275 |
| | | | 53. | BLADE ASSEMBLY – Fan | 1.064 |
| | | | 54. | NOT APPLICABLE | |



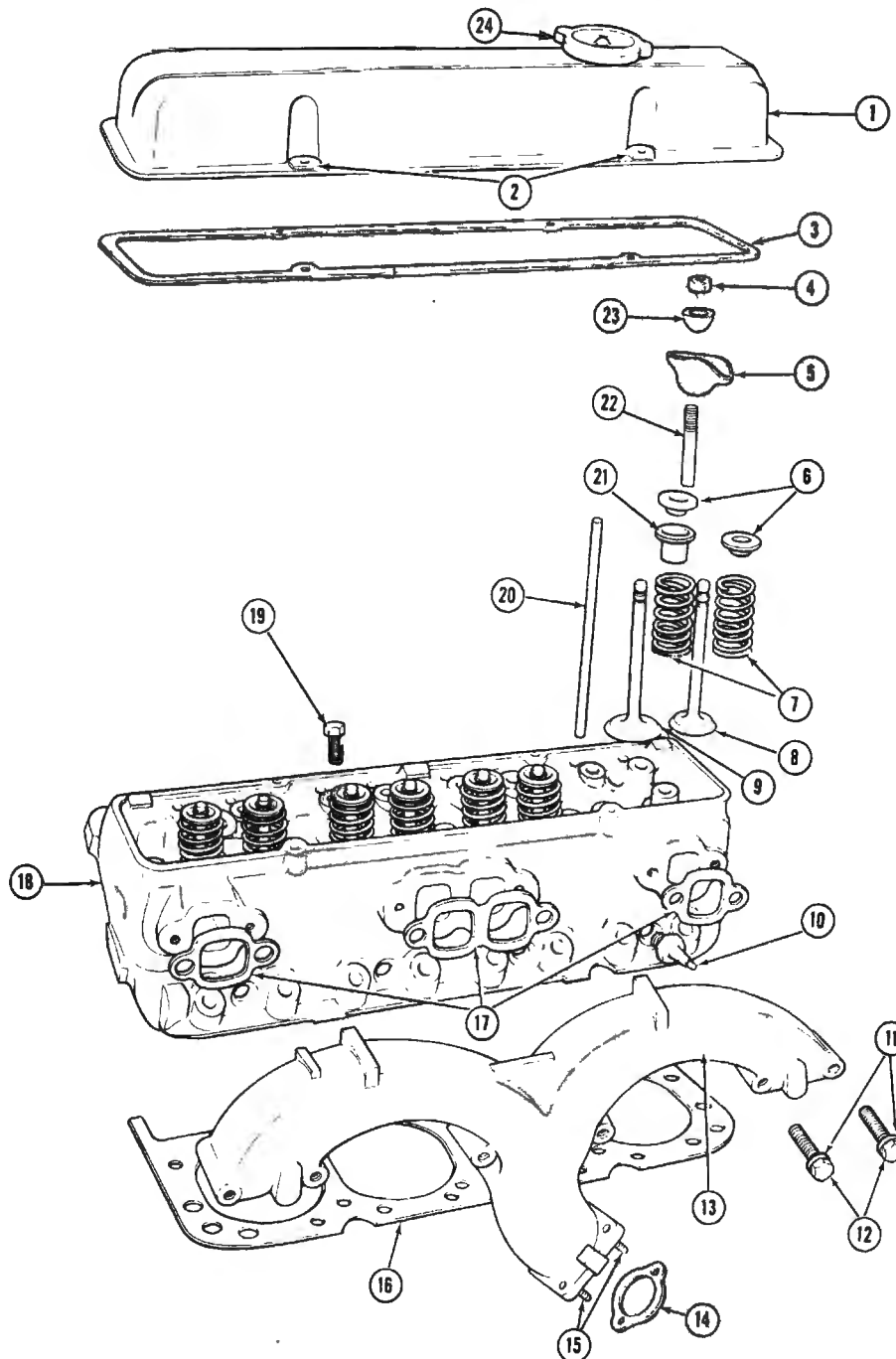
**350 ENGINE CROSS SECTION
(TYPICAL)**

| ILLUS. REF. NO. | PART NAME | GROUP | ILLUS. REF. NO. | PART NAME | GROUP |
|--------------------|--------------------------------------|-------|--------------------|--------------------------------------|-------|
| 1. | AIR CLEANER & SILENCER ASSY. | 3.402 | 15. | CAMSHAFT | 0.519 |
| 2. | OUTLET - Water | 1.153 | 16. | FILTER ASSEMBLY - Oil | 1.835 |
| 3. | CAP ASSEMBLY - Oil filler | 1.516 | 17. | PAN ASSEMBLY - Oil | 1.426 |
| 4. | NOT APPLICABLE | | 18. | SCREEN ASSEMBLY - Oil pump | 1.656 |
| 5. | WIRE ASSEMBLY - Spark plug | 2.239 | 19. | PUMP ASSEMBLY - Oil | 1.652 |
| 6. | NOT APPLICABLE | | 20. | CRANKSHAFT ASSEMBLY | 0.646 |
| 7. | CAP - Valve spring | 0.309 | 21. | MOTOR ASSEMBLY - Starter | 2.041 |
| 8. | SPRING - Valve | 0.303 | 22. | PUMP ASSEMBLY - Fuel | 3.900 |
| 9. | VALVE - Exhaust | 0.297 | 23. | LIFTER ASSY. - Hydraulic valve | 0.459 |
| 10. | INDICATOR ASSEMBLY - Oil level | 1.516 | 24. | PLUG - Spark | 2.270 |
| 11. | TUBE - Oil level indicator | 1.516 | 25. | NOT APPLICABLE | |
| 12. | MANIFOLD ASSEMBLY - Exhaust | 3.601 | 26. | PISTON & PIN ASSEMBLY | 0.629 |
| 13. | PIPE ASSEMBLY - Exhaust | 3.609 | 27. | VALVE - Inlet | 0.296 |
| 14. | ROD ASSEMBLY - Connecting | 0.603 | 28. | ARM - Valve rocker | 0.333 |
| | | | 29. | ROD - Valve push | 0.426 |
| | | | 30. | PIPE - Carburettor lower | 3.201 |
| | | | 31. | CARBURETTOR ASSEMBLY | 3.725 |



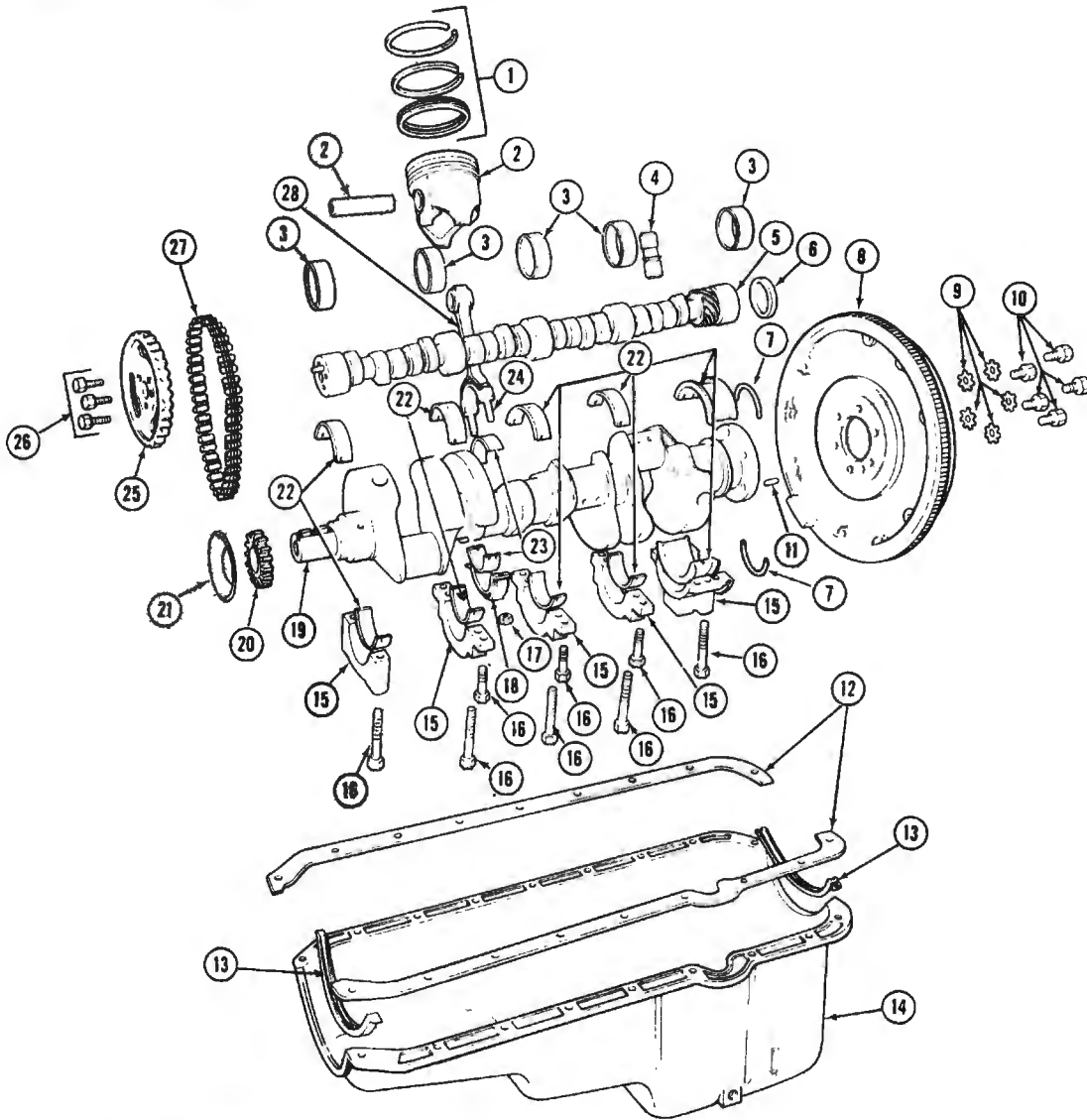
350 ENGINE BLOCK (TYPICAL)

| ILLUS. REF. NO. | PART NAME | GROUP | ILLUS. REF. NO. | PART NAME | GROUP |
|-----------------|-------------------------|-------|-----------------|-----------------------|-------|
| 1. | MANIFOLD - Intake | 3.265 | 11A. | PULLEY ASSEMBLY | 0.659 |
| 2. | GASKET | 3.270 | 12. | BLADE | 1.064 |
| 3. | HOUSING | 0.683 | 13. | SPACER | 1.064 |
| 4. | LEVER | 0.795 | 14. | PULLEY | 1.062 |
| 5. | COVER | 0.679 | 15. | PUMP | 1.069 |
| 6. | TUBE & INDICATOR | 1.516 | 16. | COVER | 0.206 |
| 7. | PLUG | 8.971 | 17. | THERMOSTAT | 1.246 |
| 8. | BLOCK | 0.033 | 18. | GASKET | 1.154 |
| 9. | GASKET | 1.079 | 19. | OUTLET | 1.153 |
| 10. | GASKET | 0.207 | 20. | STUD | 3.288 |
| 11. | DAMPER ASSEMBLY | 0.659 | 21. | GASKET | 3.726 |



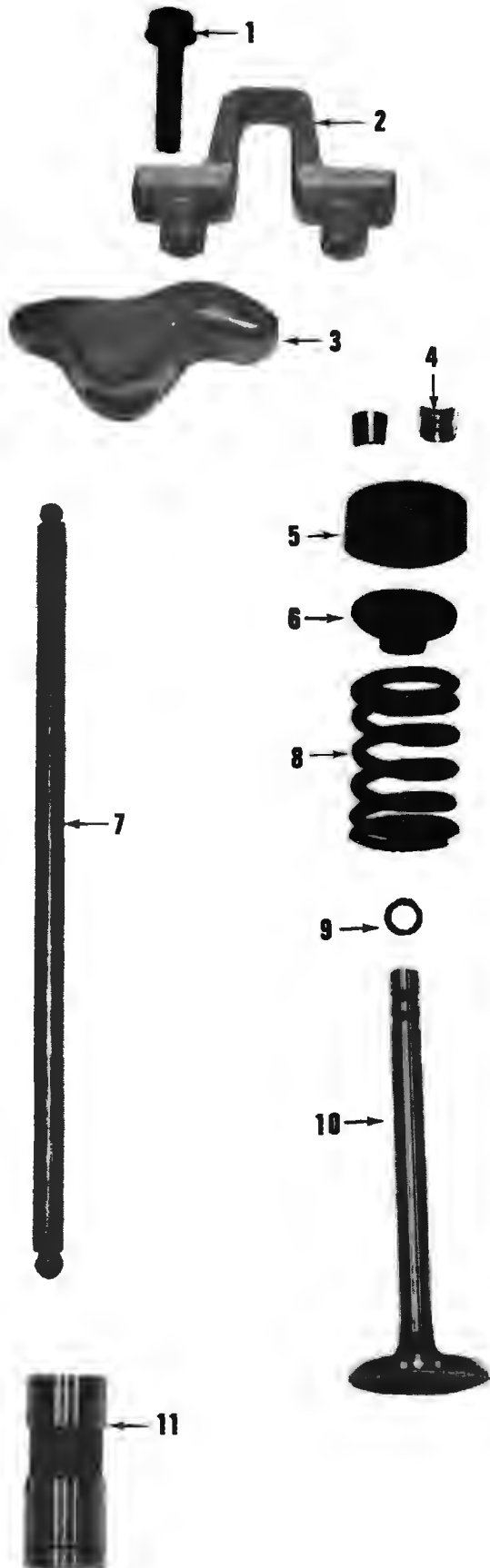
350 ENGINE – HEAD AND MANIFOLD (TYPICAL)

| ILLUS. REF. NO. | PART NAME | GROUP | ILLUS. REF. NO. | PART NAME | GROUP |
|-----------------|-----------------------|-------|-----------------|------------------------------------|-------|
| 1. | COVER | 0.386 | 13. | MANIFOLD | 3.601 |
| 2. | REINFORCEMENT | 0.413 | 14. | PACKING | 3.611 |
| 3. | GASKET | 0.423 | 15. | STUD | 3.275 |
| 4. | NUT | 0.429 | 16. | GASKET | 0.289 |
| 5. | ARM | 0.333 | 17. | GASKET – Part of Gasket Unit | NSS |
| 6. | CAP | 0.309 | 18. | HEAD ASSEMBLY | 0.269 |
| 7. | SPRING | 0.303 | 19. | BOLT | 0.293 |
| 8. | VALVE – Inlet | 0.296 | 20. | ROD | 0.426 |
| 9. | VALVE – Exhaust | 0.297 | 21. | SHIELD | 0.308 |
| 10. | SPARK PLUG | 2.270 | 22. | STUD | 0.429 |
| 11. | WASHER | 8.931 | 23. | BALL | 0.429 |
| 12. | BOLT | 3.275 | 24. | CAP | 1.516 |



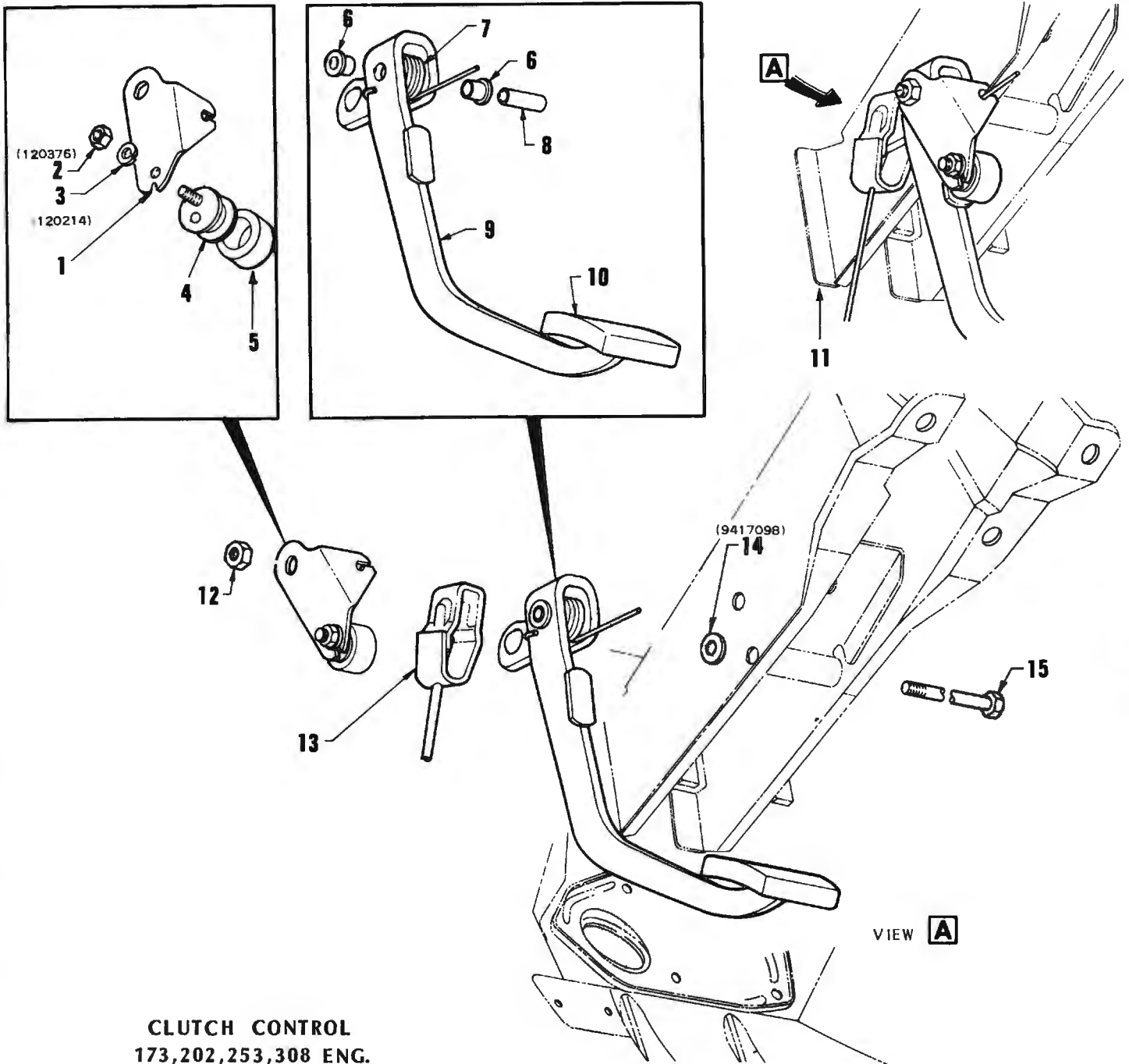
350 ENGINE – CRANKSHAFT, CAMSHAFT AND OIL PAN (TYPICAL)

| ILLUS. REF. NO. | PART NAME | GROUP | ILLUS. REF. NO. | PART NAME | GROUP |
|-----------------|--------------------------|-------------------|-----------------|---------------------------------|-------------------|
| 1. | RING SET | 0.643 | 15. | CAP – Crankshaft bearing | 0.095/0.098 |
| 2. | PISTON and PIN | 0.629 | | | 0.100/0.102/0.105 |
| 3. | BEARING – Camshaft | 0.539/0.543 | 16. | BOLT | 0.056 |
| | | 0.544/0.546/0.549 | 17. | NUT | 0.626 |
| 4. | LIFTER – Valve | 0.459 | 18. | CAP – Connecting rod | N.S.S. |
| 5. | CAMSHAFT | 0.519 | 19. | CRANKSHAFT | 0.646 |
| 6. | PLUG | 0.553 | 20. | SPROCKET | 0.728 |
| 7. | SEAL | 0.137 | 21. | OIL SLINGER | N.S.S. |
| 8. | FLYWHEEL | 0.666 | 22. | BEARING – Crankshaft | 0.096/0.099 |
| 9. | WASHER | 8.932 | | | 0.101/9.103/0.106 |
| 10. | BOLT | 0.669 | 23. | BEARING, – Connecting rod | 0.616 |
| 11. | DOWEL | 8.939 | 24. | BOLT | 0.623 |
| 12. | GASKET | 1.429 | 25. | SPROCKET | 0.736 |
| 13. | SEAL | 1.429 | 26. | BOLT | 0.736 |
| 14. | PAN | 1.426 | 27. | CHAIN | 0.724 |
| | | | 28. | ROD | 0.603 |



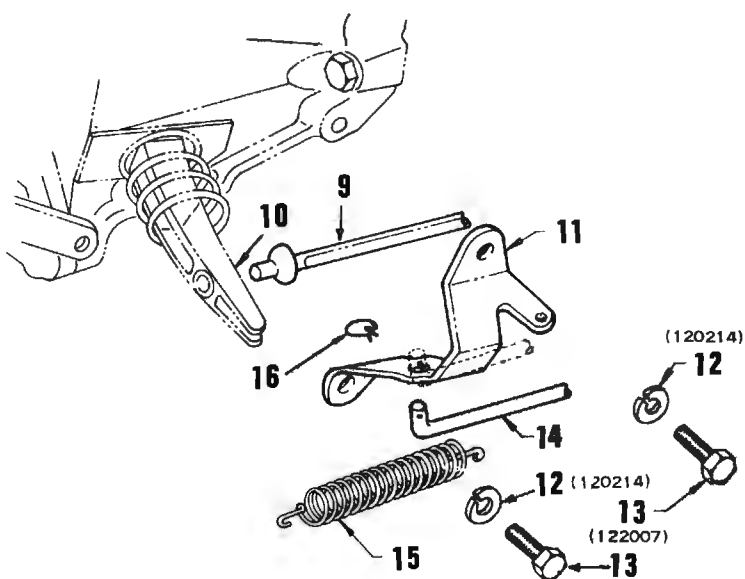
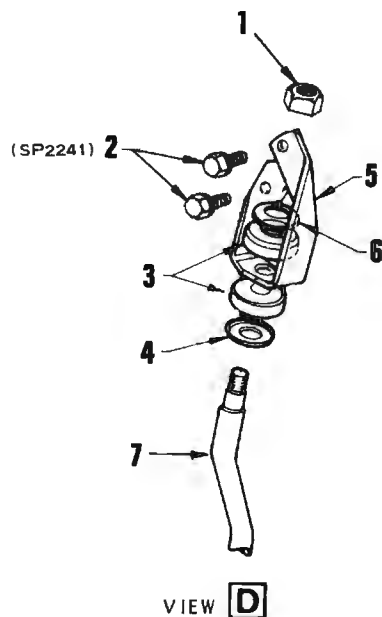
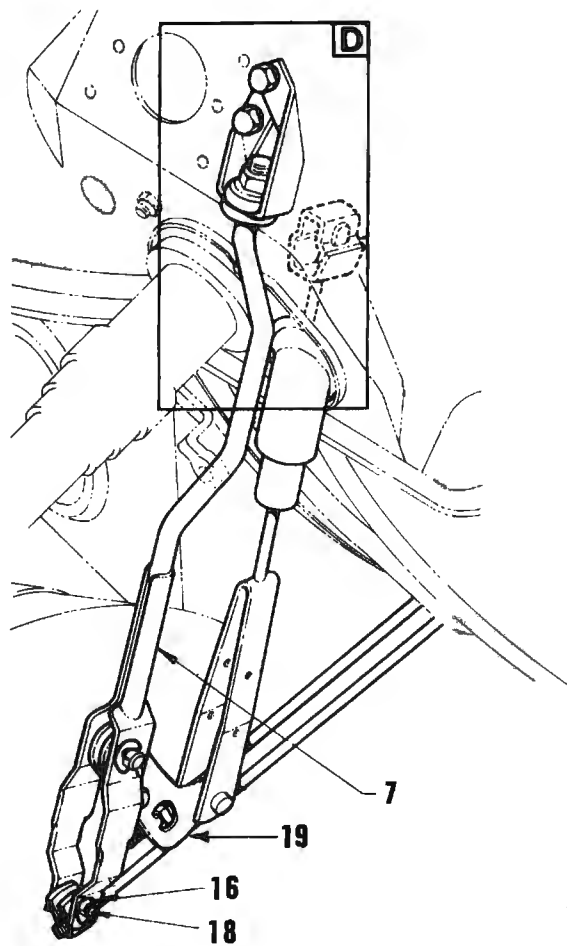
**VALVE OPERATING MECHANISM
173,202,253,308 ENG.**

| ILLUS. REF. NO. | PART NAME | GROUP |
|--------------------|--------------------------------------|-------------|
| 1. | BOLT – Pivot | 0.429 |
| 2. | PIVOT – Valve rocker arm | 0.429 |
| 3. | ARM – Valve rocker | 0.333 |
| 4. | KEY – Valve stem | 0.310 |
| 5. | SHIELD – Valve stem | 0.308 |
| 6. | CAP – Valve spring | 0.309 |
| 7. | ROD – Valve push | 0.426 |
| 8. | SPRING – Valve | 0.303 |
| 9. | SEAL – Valve stem | 0.308 |
| 10. | VALVE | 0.296/0.297 |
| 11. | LIFTER ASSY. – Hydraulic valve | 0.459 |



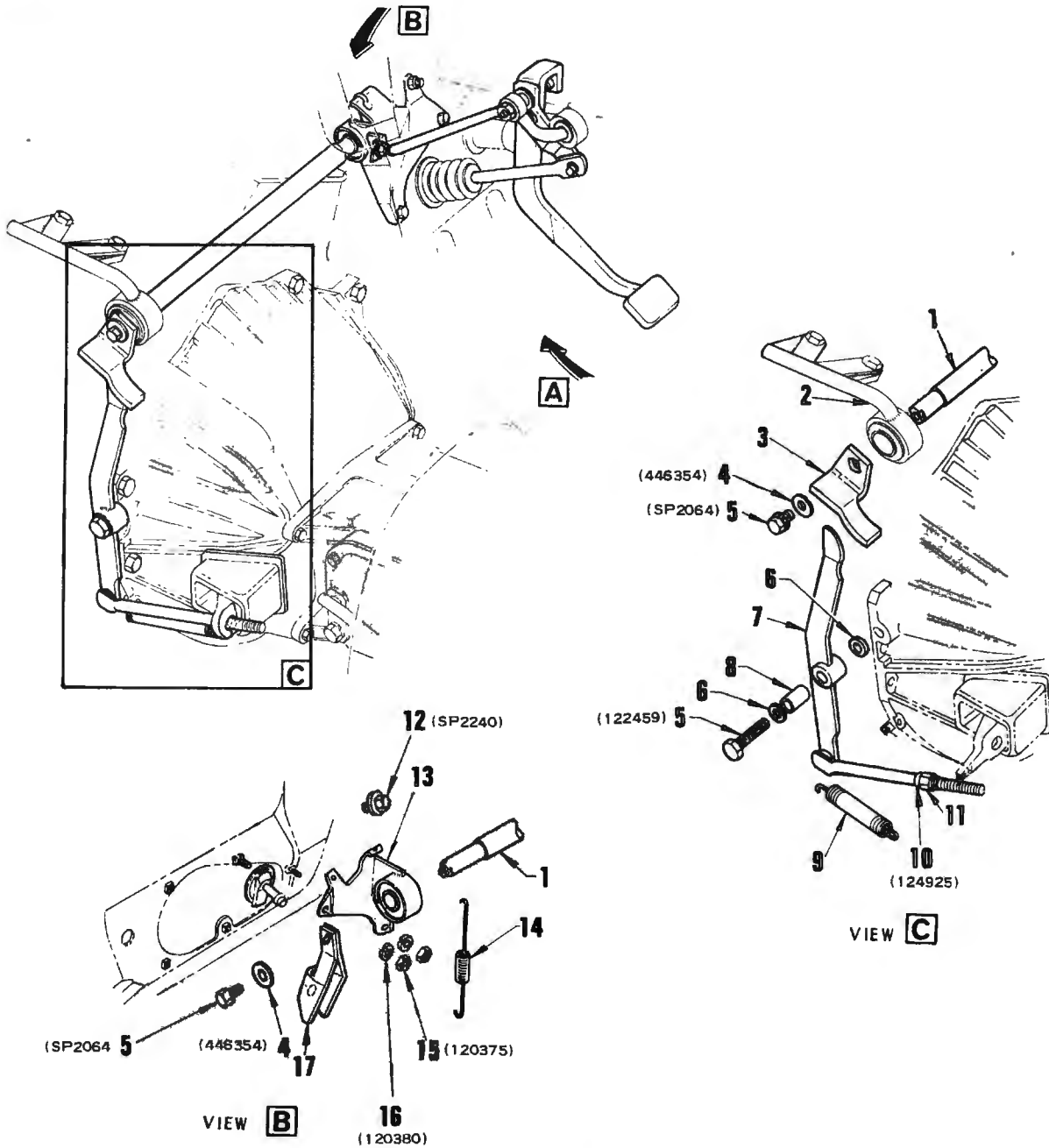
CLUTCH CONTROL
173,202,253,308 ENG.

| ILLUS. REF. NO. | PART NAME | GROUP | ILLUS. REF. NO. | PART NAME | GROUP |
|-----------------|-------------------------------------|-------|-----------------|--|-------|
| 1. | BRACKET - Clutch pedal bumper | 0.830 | 9. | PEDAL - Clutch | 0.830 |
| 2. | NUT - Hexagon | 8.915 | 10. | PAD - Clutch pedal | 0.830 |
| 3. | WASHER - Lock | 8.931 | 11. | SUPPORT - Instrument panel to dash ... | 6.761 |
| 4. | ECCENTRIC ASSY. - Bumper | 0.830 | 12. | NUT - Clutch pedal retaining | 0.837 |
| 5. | BUMPER - Clutch pedal | 0.830 | 13. | ROD ASSEMBLY - Clutch pull | 0.787 |
| 6. | BUSHING - Clutch pedal | 0.831 | 14. | WASHER - Flat | 8.929 |
| 7. | SPRING - Clutch over-centre | 0.844 | 15. | BOLT - Clutch pedal retaining | 0.837 |
| 8. | BEARING - Clutch pedal | 0.831 | | | |



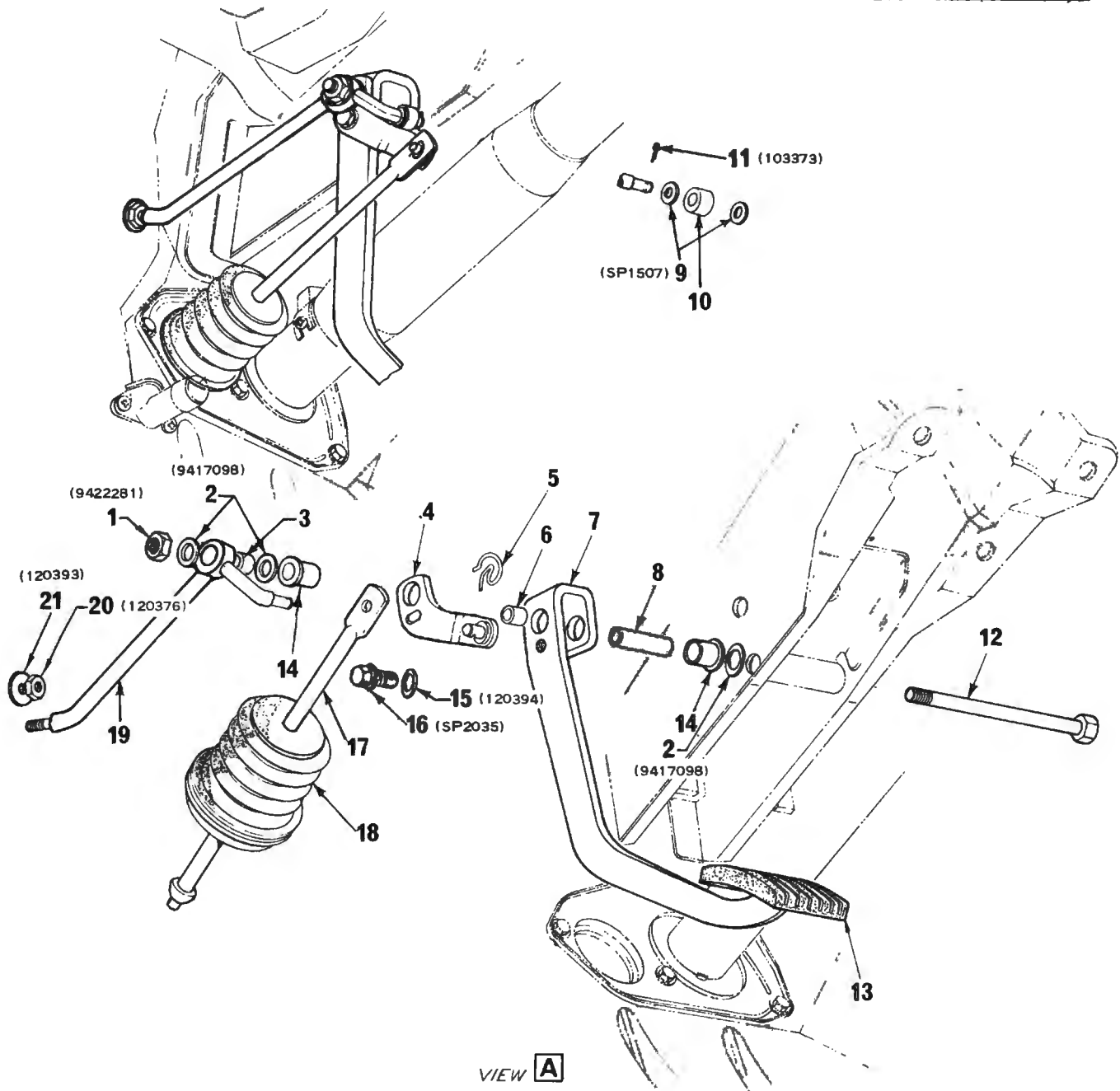
**CLUTCH CONTROL
173,202,253,308 ENG.**

| ILLUS. REF. NO. | PART NAME | GROUP | ILLUS REF. NO. | PART NAME | GROUP |
|-----------------|--------------------------------------|-------|----------------|------------------------------------|-------|
| 1. | NUT - Hexagon | 8.915 | 11. | BRACKET - Clutch brace | 0.852 |
| 2. | SCREW - Sheet metal | 8.977 | 12. | WASHER - Lock | 8.931 |
| 3. | INSULATOR - Clutch lever strut | 0.852 | 13. | BOLT - Hexagon head | 8.900 |
| 4. | PLATE - Strut insulator lower | 0.852 | 14. | BRACE ASSY. - Clutch lever | 0.852 |
| 5. | BRACKET - Strut to dash | 0.852 | 15. | SPRING - Clutch lever return | 0.844 |
| 6. | PLATE - Strut insulator upper | 0.852 | 16. | CLIP - Clutch lever brace | 0.852 |
| 7. | LEVER & STRUT ASSEMBLY | 0.852 | 17. | BOLT - Hexagon head | 8.900 |
| 9. | ROD - Clutch lever push | 0.839 | 18. | PIN - Brace to strut | 0.852 |
| 10. | LEVER - Clutch | 0.795 | 19. | LEVER & PIN ASSEMBLY | 0.852 |



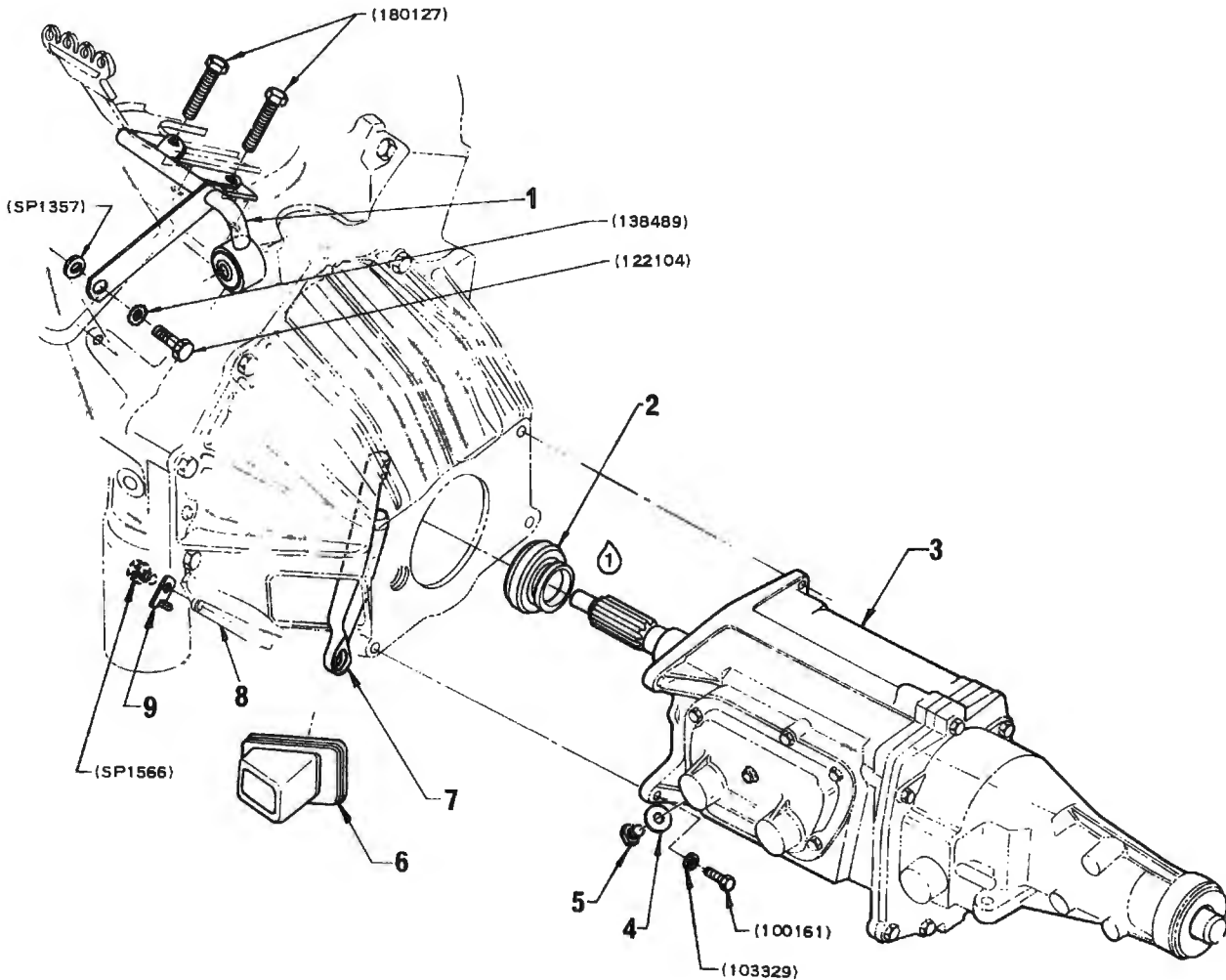
**CLUTCH CONTROL
350 ENG.**

| ILLUS. REF. NO. | PART NAME | GROUP | ILLUS. REF. NO. | PART NAME | GROUP |
|-----------------|---|-------|-----------------|---|-------|
| 1. | SHAFT - Clutch control cross | 0.852 | 9. | SPRING - Clutch lever return | 0.844 |
| 2. | BRACKET & INSULATOR ASSY. - Cross shaft to engine | 0.852 | 10. | NUT - Hexagon jam | 8.916 |
| 3. | LEVER - Cross shaft relay | 0.852 | 11. | NUT - Adjusting | 0.839 |
| 4. | WASHER - Flat | 8.929 | 12. | SCREW - Sheet metal | 8.977 |
| 5. | BOLT - Hexagon head | 8.900 | 13. | BRACKET & INSULATOR ASSY. - Cross shaft to dash | 0.852 |
| 6. | WASHER | 0.852 | 14. | SPRING - Push rod | 0.852 |
| 7. | LEVER & ROD ASSEMBLY | 0.852 | 15. | NUT - Hexagon | 8.915 |
| 8. | BEARING - Clutch relay lever | 0.852 | 16. | WASHER - Lock | 8.931 |
| | | | 17. | LEVER - Cross shaft push rod | 0.852 |



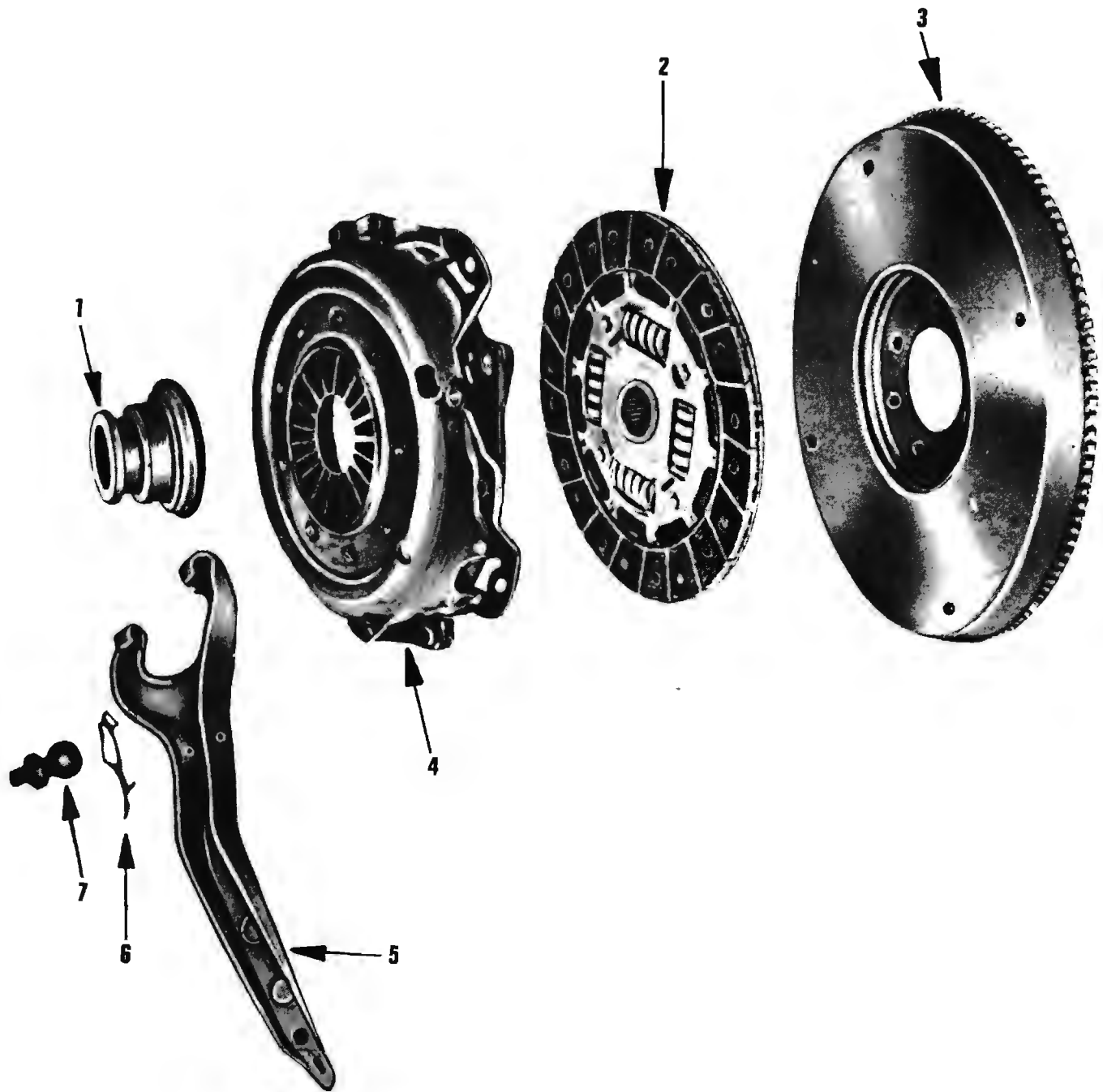
**CLUTCH CONTROL
350 ENGINE**

| ILLUS. REF. NO. | DESCRIPTION | GROUP | ILLUS. REF. NO. | DESCRIPTION | GROUP |
|-----------------|--|-------|-----------------|--|-------|
| 1. | NUT - Hex. self locking, 1/2" - 13 | 8.918 | 12. | BOLT - Clutch pedal retaining | 0.837 |
| 2. | WASHER - Flat, 1/2" 'B' type narrow | 8.929 | 13. | PAD - Clutch pedal | 0.830 |
| 3. | SPACER - Cross shaft brace | 0.852 | 14. | BUSHING - Clutch pedal | 0.831 |
| 4. | LEVER ASSY. - Clutch pedal push rod | 0.830 | 15. | WASHER - Flat 13/32" x 13/16" x .065" | 8.929 |
| 5. | CLIP - Rod to lever assy. & clutch pedal | 0.852 | 16. | BOLT - Hex. hd. 3/8" - 16 x 7/8" with washer | 8.900 |
| 6. | BEARING - Clutch pedal, short | 0.831 | 17. | ROD - Clutch pedal push | 0.918 |
| 7. | PEDAL ASSY. | 0.830 | 18. | SEAL - Clutch pedal push rod | 0.924 |
| 8. | BEARING - Clutch pedal, long | 0.831 | 19. | BRACE - Dash to clutch pedal | 0.852 |
| 9. | WASHER - Flat, .38" x .62" x .059" | 8.929 | 20. | NUT - Hex. 5/16" - 18 Light | 8.915 |
| 10. | BUMPER - Clutch pedal brace, rubber | 0.852 | 21. | WASHER - Flat, 11/32" x 11/16" x .065" | 8.929 |
| 11. | PIN - Cotter, 4/32" x 3/4" | 8.938 | | | |



TRANSMISSION & CLUTCH HOUSING – 350 ENG.

| ILLUS. REF. NO. | PART NAME | GROUP | ILLUS. REF. NO. | PART NAME | GROUP |
|-----------------|---|-------|-----------------|---|-------|
| 1. | BRACKET & INSULATOR ASSY. – Cross shaft to engine. | 0.852 | 5. | PLUG – Transmission cover | 4.109 |
| 2. | BEARING ASSY. | 0.799 | 6. | BOOT | 0.797 |
| 3. | TRANSMISSION ASSY. | 4.003 | 7. | LEVER – Clutch | 0.795 |
| 4. | GASKET – Transmission cover plug | 4.109 | 8. | HOUSING – Clutch | 0.683 |
| | | | 9. | BRACKET – Clutch lever spring retainer .. | 0.844 |



CLUTCH and FLYWHEEL

| ILLUS. REF. NO. | DESCRIPTION | GROUP |
|--------------------|---|-------|
| 1. | BEARING ASSY. | 0.799 |
| 2. | PLATE ASSY. - Clutch driven | 0.886 |
| 3. | FLYWHEEL & RING GEAR ASSY. | 0.666 |
| 4. | COVER & PRESSURE PLATE ASSY. - Clutch ... | 0.861 |
| 5. | LEVER - Clutch | 0.795 |
| 6. | SPRING - Clutch lever ball stud | 0.823 |
| 7. | STUD - Clutch lever ball | 0.796 |

"HQ" PARTS CATALOGUE

| GROUP | DESCRIPTION | MODEL | SIDE | PART No. | QTY. |
|--------------|--|-----------------------------------|------|----------|------|
| 0.000 | ENGINE ASSEMBLY | | | | |
| | Current production Engine Assemblies will be supplied on a firm order basis. | | | | |
| 0.001 | GASKET SET – Engine overhaul | | | | |
| | SUPPLEMENTARY (less crankshaft rear bearing oil seal) | 173, 202 Eng. | | 9930831 | 1 |
| | SUPPLEMENTARY (less crankshaft rear bearing oil seal) | 253, 308 Eng. | | 9930830 | 1 |
| | NOTE – The above Gasket Set contains, in conjunction with the appropriate Cylinder Head Gasket Set (Group 0.289) and rear bearing oil seals, all gaskets necessary for a complete engine overhaul. | | | | |
| 0.010 | GASKET SET – Engine | | | | |
| | GASKET SET | 350 Eng. | | 3970634 | 1 |
| | NOTE – This Gasket Set contains, in conjunction with Cylinder Head Gasket (Group 0.289) and Oil Pan Gasket Set (Group 1.429), all gaskets necessary for a complete engine overhaul. | | | | |
| 0.027 | SUPPORT, INSULATOR BRACKET – Power plant mounting | | | | |
| | SUPPORT ASSEMBLY – Front | 173, 202 Eng. | | 2815138 | 2 |
| | BRACKET ASSEMBLY – Front mounting | 173, 202 Eng. exc. Air Cond. | LH | 9929041 | 1 |
| | BRACKET ASSEMBLY – Front mounting | 173, 202 Eng. | RH | 9929042 | 1 |
| | BRACKET ASSEMBLY – Front mounting | 173, 202 Eng. Air Cond. | LH | 2814771 | 1 |
| | WASHER – Support to bracket | 173, 202 Eng. | | 3713379 | 4 |
| | SUPPORT ASSEMBLY – Front | 253, 308, 350 Eng. | | 2813737 | 2 |
| | BRACKET – Front mounting | 253, 308 Eng. exc. Air Cond. | LH | 2813743 | 1 |
| | BRACKET – Front mounting | 253, 308 Eng. | RH | 2813743 | 1 |
| | BRACKET ASSEMBLY – Front mounting | 253, 308 Eng. Air Cond. | LH | 2812402 | 1 |
| | BRACKET ASSEMBLY – Front mounting | 350 Eng. | LH | 2818451 | 1 |
| | | | RH | 2818450 | 1 |
| 0.033 | CYLINDER BLOCK ASSEMBLY | | | | |
| | BLOCK COMPLETE – (Short Motor) | (M) 173 Eng. 8.3:1 C.R. | | 2815457 | 1 |
| | BLOCK COMPLETE – (Short Motor) | (A) 173 Eng. 8.3:1 C.R. | | 2815458 | 1 |
| | BLOCK COMPLETE – (Short Motor) | (M) 173 Eng. 9.4:1 C.R. | | 2815455 | 1 |
| | BLOCK COMPLETE – (Short Motor) | (A) 173 Eng. 9.4:1 C.R. | | 2815456 | 1 |
| | BLOCK COMPLETE – (Short Motor) | (M) 202 Eng. 7.8:1 C.R. | | 2815530 | 1 |
| | BLOCK COMPLETE – (Short Motor) | (A) 202 Eng. 7.8:1 C.R. | | 2815531 | 1 |
| | BLOCK COMPLETE – (Short Motor) | (M) 202 Eng. 9.4:1 C.R. | | 2815459 | 1 |
| | BLOCK COMPLETE – (Short Motor) | (A) 202 Eng. 9.4:1 C.R. | | 2815460 | 1 |
| | BLOCK COMPLETE – (Short Motor) | 253 Eng. 8.0:1 C.R. | | 2815036 | 1 |
| | BLOCK COMPLETE – (Short Motor) | 253 Eng. 9.0:1 C.R. | | 2815035 | 1 |
| | BLOCK COMPLETE – (Short Motor) | 308 Eng. | | 2815037 | 1 |
| | BLOCK COMPLETE – (Short Motor) | 350 Eng. | | 3997466 | 1 |
| | BLOCK – Fitted with pistons | 173 Eng. 8.3:1 C.R. | | 2815463 | 1 |
| | BLOCK – Fitted with pistons | 173 Eng. 9.4:1 C.R. | | 2815462 | 1 |
| | BLOCK – Fitted with pistons | 202 Eng. 7.8:1 C.R. | | 2815465 | 1 |
| | BLOCK – Fitted with pistons | 202 Eng. 9.4:1 C.R. | | 2815464 | 1 |
| | BLOCK – Fitted with pistons | 253 Eng. 8.0:1 C.R. | | 2811393 | 1 |
| | BLOCK – Fitted with pistons | 253 Eng. 9.0:1 C.R. | | 2811394 | 1 |
| | BLOCK – Fitted with pistons | 308 Eng. | | 2811396 | 1 |
| | BLOCK – Fitted with pistons | 350 Eng. | | 3997426 | 1 |
| | PLUG – Water jacket core cup 1 $\frac{1}{16}$ " | 173, 202 Eng. | | SP1652 | 2 |
| | PLUG – Water jacket core, rear 2 $\frac{1}{16}$ " | 173, 202 Eng. | | 3789860 | 1 |
| | PLUG – Water jacket core cup 2 $\frac{1}{16}$ " | 173, 202 Eng. | | SP1649 | 1 |
| | PLUG – Water jacket core 1 $\frac{1}{8}$ " | ALL | | 838538 | 3-8 |
| | PLUG – Water jacket core cup 1 $\frac{1}{16}$ " | 173, 202 Eng. | | SP1648 | 3 |
| | PLUG – Water jacket core 1 $\frac{1}{8}$ " | 253, 308 Eng. | | SP1812 | 2 |
| | PLUG – Rear locating hole – $\frac{3}{8}$ " cup | 253, 308 Eng. | | 9427961 | 1 |

"HQ" PARTS CATALOGUE

| GROUP | DESCRIPTION | MODEL | SIDE | PART No. | QTY. |
|--------------|---|------------------------------|------|----------|------|
| 0.033 | CYLINDER BLOCK ASSEMBLY (contd.) | | | | |
| | COCK - Drain | 173, 202, 253, 308 Eng. | | 444819 | 2 |
| | PLUG - Water drain holes | 350 Eng. | | 444577 | 2 |
| | PLUG KIT - Expansion | 173, 202 Eng. | | 7420345 | 1 |
| | PLUG - Water jacket core 1 1/4" | 173, 202 Eng. | | 7401296 | 2 |
| | PIN - Dowel, cyl. head and crankcase cover | 173, 202, 253, 308 Eng. | | 141216 | A.R. |
| | NOTE - Block complete (Short Motor) includes Crankshaft, Camshaft, Timing Gears, Pistons, Piston Rings, Piston Pins, Connecting Rods, Front Cover Plate. | | | | |
| 0.056 | BOLT, STUD - Crankshaft bearing cap | | | | |
| | BOLT - Bearing cap | 173, 202 Eng. | | 7420106 | 14 |
| | BOLT - Bearing cap | 253, 308 Eng. | | 7448829 | 10 |
| | BOLT - 2 3/4" long | 350 Eng. | | 3877669 | 6 |
| | BOLT - 3.36" long | 350 Eng. | | 3932480 | 10 |
| 0.094 | BEARING SET - Crankshaft | | | | |
| | STANDARD | 173 Eng. | | 7430402 | 1 |
| | .001" U/S | 173 Eng. | | 7430403 | 1 |
| | .002" U/S | 173 Eng. | | 7430404 | 1 |
| | .010" U/S | 173 Eng. | | 7430406 | 1 |
| | .020" U/S | 173 Eng. | | 7430407 | 1 |
| | .030" U/S | 173 Eng. | | 7430408 | 1 |
| | STANDARD | 202 Eng. | | 2817581 | 1 |
| | .001" U/S | 202 Eng. | | 2817582 | 1 |
| | .002" U/S | 202 Eng. | | 2817583 | 1 |
| | .010" U/S | 202 Eng. | | 2817585 | 1 |
| | .020" U/S | 202 Eng. | | 2817586 | 1 |
| | .030" U/S | 202 Eng. | | 2817587 | 1 |
| | STANDARD | 253, 308 Eng. | | 2806384 | 1 |
| | .001" U/S | 253, 308 Eng. | | 2806385 | 1 |
| | .002" U/S | 253, 308 Eng. | | 2806386 | 1 |
| | .010" U/S | 253, 308 Eng. | | 2806388 | 1 |
| | .020" U/S | 253, 308 Eng. | | 2806389 | 1 |
| | .030" U/S | 253, 308 Eng. | | 2806390 | 1 |
| 0.095 | CAP - Crankshaft front bearing | | | | |
| | CAP | 173 Eng. | | 2819465 | 1 |
| | CAP | 202 Eng. | | 2819462 | 1 |
| | CAP | 253, 308 Eng. | | 2811792 | 1 |
| | CAP | 350 Eng. | | 3956688 | 1 |
| 0.096 | BEARING UNIT - Crankshaft front | | | | |
| | STANDARD | 173 Eng. | | 7430430 | 1 |
| | .001" U/S | 173 Eng. | | 7430431 | 1 |
| | .002" U/S | 173 Eng. | | 7430432 | 1 |
| | .010" U/S | 173 Eng. | | 7430434 | 1 |
| | .020" U/S | 173 Eng. | | 7430435 | 1 |
| | .030" U/S | 173 Eng. | | 7430436 | 1 |
| | STANDARD | 202 Eng. | | 2817588 | 1 |
| | .001" U/S | 202 Eng. | | 2817589 | 1 |
| | .002" U/S | 202 Eng. | | 2817590 | 1 |
| | .010" U/S | 202 Eng. | | 2817592 | 1 |
| | .020" U/S | 202 Eng. | | 2817593 | 1 |
| | .030" U/S | 202 Eng. | | 2817594 | 1 |
| | STANDARD | 253, 308 Eng. | | 2806368 | 1 |
| | .001" U/S | 253, 308 Eng. | | 2806369 | 1 |
| | .002" U/S | 253, 308 Eng. | | 2806370 | 1 |
| | .010" U/S | 253, 308 Eng. | | 2806372 | 1 |
| | .020" U/S | 253, 308 Eng. | | 2806373 | 1 |
| | .030" U/S | 253, 308 Eng. | | 2806374 | 1 |

"HQ" PARTS CATALOGUE

| GROUP | DESCRIPTION | MODEL | SIDE | PART No. | QTY. |
|--------------|---|--------------------|------|----------|------|
| 0.096 | BEARING UNIT – Crankshaft front (contd.) | | | | |
| | STANDARD | 350 Eng. | | 3912038 | 1 |
| | .001" U/S | 350 Eng. | | 3912039 | 1 |
| | .002" U/S | 350 Eng. | | 3912040 | 1 |
| | .010" U/S | 350 Eng. | | 3912041 | 1 |
| | .020" U/S | 350 Eng. | | 3912042 | 1 |
| 0.098 | CAP – Crankshaft front intermediate bearing | | | | |
| | CAP | 173 Eng. | | 2819465 | 2 |
| | CAP | 202 Eng. | | 2819462 | 2 |
| | CAP | 253, 308 Eng. | | 2811792 | 1 |
| | CAP | 350 Eng. | | 3956686 | 1 |
| 0.099 | BEARING UNIT – Crankshaft front intermediate | | | | |
| | STANDARD | 173 Eng. | | 7430430 | 2 |
| | .001" U/S | 173 Eng. | | 7430431 | 2 |
| | .002" U/S | 173 Eng. | | 7430432 | 2 |
| | .010" U/S | 173 Eng. | | 7430434 | 2 |
| | .020" U/S | 173 Eng. | | 7430435 | 2 |
| | .030" U/S | 173 Eng. | | 7430436 | 2 |
| | STANDARD | 202 Eng. | | 2817588 | 2 |
| | .001" U/S | 202 Eng. | | 2817589 | 2 |
| | .002" U/S | 202 Eng. | | 2817590 | 2 |
| | .010" U/S | 202 Eng. | | 2817592 | 2 |
| | .020" U/S | 202 Eng. | | 2817593 | 2 |
| | .030" U/S | 202 Eng. | | 2817594 | 2 |
| | STANDARD | 253, 308 Eng. | | 2806368 | 1 |
| | .001" U/S | 253, 308 Eng. | | 2806369 | 1 |
| | .002" U/S | 253, 308 Eng. | | 2806370 | 1 |
| | .010" U/S | 253, 308 Eng. | | 2806372 | 1 |
| | .020" U/S | 253, 308 Eng. | | 2806373 | 1 |
| | .030" U/S | 253, 308 Eng. | | 2806374 | 1 |
| | STANDARD | 350 Eng. | | 3912038 | 1 |
| | .001" U/S | 350 Eng. | | 3912039 | 1 |
| | .002" U/S | 350 Eng. | | 3912040 | 1 |
| | .010" U/S | 350 Eng. | | 3912041 | 1 |
| | .020" U/S | 350 Eng. | | 3912042 | 1 |
| 0.100 | CAP – Crankshaft centre bearing | | | | |
| | CAP | 173 Eng. | | 2819465 | 1 |
| | CAP | 202 Eng. | | 2819462 | 1 |
| | CAP | 253, 308 Eng. | | 2811792 | 1 |
| | CAP | 350 Eng. | | 3956686 | 1 |
| 0.101 | BEARING UNIT – Crankshaft centre | | | | |
| | STANDARD | 173 Eng. | | 7430430 | 1 |
| | .001" U/S | 173 Eng. | | 7430431 | 1 |
| | .002" U/S | 173 Eng. | | 7430432 | 1 |
| | .010" U/S | 173 Eng. | | 7430434 | 1 |
| | .020" U/S | 173 Eng. | | 7430435 | 1 |
| | .030" U/S | 173 Eng. | | 7430436 | 1 |
| | STANDARD | 202 Eng. | | 2817588 | 1 |
| | .001" U/S | 202 Eng. | | 2817589 | 1 |
| | .002" U/S | 202 Eng. | | 2817590 | 1 |
| | .010" U/S | 202 Eng. | | 2817592 | 1 |
| | .020" U/S | 202 Eng. | | 2817593 | 1 |
| | .030" U/S | 202 Eng. | | 2817594 | 1 |
| | STANDARD | 253, 308 Eng. | | 2806368 | 1 |
| | .001" U/S | 253, 308 Eng. | | 2806369 | 1 |
| | .002" U/S | 253, 308 Eng. | | 2806370 | 1 |
| | .010" U/S | 253, 308 Eng. | | 2806372 | 1 |
| | .020" U/S | 253, 308 Eng. | | 2806373 | 1 |
| | .030" U/S | 253, 308 Eng. | | 2806374 | 1 |

"HQ" PARTS CATALOGUE

| GROUP | DESCRIPTION | MODEL | SIDE | PART No. | QTY. |
|--------------|--|---------------|------|----------|------|
| 0.101 | BEARING UNIT – Crankshaft centre (contd.) | | | | |
| | STANDARD | 350 Eng. | | 3912038 | 1 |
| | .001" U/S | 350 Eng. | | 3912039 | 1 |
| | .002" U/S | 350 Eng. | | 3912040 | 1 |
| | .010" U/S | 350 Eng. | | 3912041 | 1 |
| | .020" U/S | 350 Eng. | | 3912042 | 1 |
| 0.102 | CAP – Crankshaft rear intermediate bearing | | | | |
| | CAP | 173 Eng. | | 2819465 | 2 |
| | CAP | 202 Eng. | | 2819462 | 2 |
| | CAP | 253, 308 Eng. | | 2811792 | 1 |
| | CAP | 350 Eng. | | 3956686 | 1 |
| 0.103 | BEARING UNIT – Crankshaft rear intermediate | | | | |
| | STANDARD | 173 Eng. | | 7430430 | 2 |
| | .001" U/S | 173 Eng. | | 7430431 | 2 |
| | .002" U/S | 173 Eng. | | 7430432 | 2 |
| | .010" U/S | 173 Eng. | | 7430434 | 2 |
| | .020" U/S | 173 Eng. | | 7430435 | 2 |
| | .030" U/S | 173 Eng. | | 7430436 | 2 |
| | STANDARD | 202 Eng. | | 2817588 | 2 |
| | .001" U/S | 202 Eng. | | 2817589 | 2 |
| | .002" U/S | 202 Eng. | | 2817590 | 2 |
| | .010" U/S | 202 Eng. | | 2817592 | 2 |
| | .020" U/S | 202 Eng. | | 2817593 | 2 |
| | .030" U/S | 202 Eng. | | 2817594 | 2 |
| | STANDARD | 253, 308 Eng. | | 2806368 | 1 |
| | .001" U/S | 253, 308 Eng. | | 2806369 | 1 |
| | .002" U/S | 253, 308 Eng. | | 2806370 | 1 |
| | .010" U/S | 253, 308 Eng. | | 2806372 | 1 |
| | .020" U/S | 253, 308 Eng. | | 2806373 | 1 |
| | .030" U/S | 253, 308 Eng. | | 2806374 | 1 |
| | STANDARD | 350 Eng. | | 3912038 | 1 |
| | .001" U/S | 350 Eng. | | 3912039 | 1 |
| | .002" U/S | 350 Eng. | | 3912040 | 1 |
| | .010" U/S | 350 Eng. | | 3912041 | 1 |
| | .020" U/S | 350 Eng. | | 3912042 | 1 |
| 0.105 | CAP – Crankshaft rear bearing | | | | |
| | CAP | 173 Eng. | | 2819471 | 1 |
| | CAP | 202 Eng. | | 2819468 | 1 |
| | CAP | 253, 308 Eng. | | 2811795 | 1 |
| | CAP | 350 Eng. | | 3911007 | 1 |
| | PIN – Dowel | 350 Eng. | | 3836903 | 2 |
| 0.106 | BEARING UNIT – Crankshaft rear | | | | |
| | STANDARD | 173 Eng. | | 7430437 | 1 |
| | .001" U/S | 173 Eng. | | 7430438 | 1 |
| | .002" U/S | 173 Eng. | | 7430439 | 1 |
| | .010" U/S | 173 Eng. | | 7430441 | 1 |
| | .020" U/S | 173 Eng. | | 7430442 | 1 |
| | .030" U/S | 173 Eng. | | 7430443 | 1 |
| | STANDARD | 202 Eng. | | 2817595 | 1 |
| | .001" U/S | 202 Eng. | | 2817596 | 1 |
| | .002" U/S | 202 Eng. | | 2817597 | 1 |
| | .010" U/S | 202 Eng. | | 2817599 | 1 |
| | .020" U/S | 202 Eng. | | 2817600 | 1 |
| | .030" U/S | 202 Eng. | | 2817601 | 1 |
| | STANDARD | 253, 308 Eng. | | 2806375 | 1 |
| | .001" U/S | 253, 308 Eng. | | 2806376 | 1 |
| | .002" U/S | 253, 308 Eng. | | 2806377 | 1 |
| | .010" U/S | 253, 308 Eng. | | 2806379 | 1 |
| | .020" U/S | 253, 308 Eng. | | 2806380 | 1 |

"HQ" PARTS CATALOGUE

| GROUP | DESCRIPTION | MODEL | SIDE | PART No. | QTY. |
|--------------|--|---------------------|------|-------------------------|------|
| 0.106 | BEARING UNIT – Crankshaft rear (contd.) | | | | |
| | .030" U/S | 253, 308 Eng. | | 2806381 | 1 |
| | STANDARD | 350 Eng. | | 3912030 | 1 |
| | .001" U/S | 350 Eng. | | 3912032 | 1 |
| | .002" U/S | 350 Eng. | | 3912033 | 1 |
| | .010" U/S | 350 Eng. | | 3912035 | 1 |
| | .020" U/S | 350 Eng. | | 3912036 | 1 |
| 0.137 | SEAL PACKAGE – Crankshaft rear bearing oil | | | | |
| | SEAL PACKAGE | ALL | | (⁹⁶ 9929165 | 1 |
| | SEAL PACKAGE | ALL | | (⁹⁷ 9929164 | 1 |
| 0.153 | SHIM UNIT – Crankshaft bearing | | | | |
| | SHIM UNIT – Front, centre & intermediate | 253, 308 Eng. | | 2811793 | A.R. |
| | SHIM UNIT – Rear | 253, 308 Eng. | | 2811796 | A.R. |
| | SHIM UNIT – Front | 350 Eng. | | 3911010 | A.R. |
| | SHIM UNIT – Centre & Intermediate | 350 Eng. | | 3956690 | A.R. |
| | SHIM UNIT – Rear | 350 Eng. | | 3911011 | A.R. |
| 0.206 | COVER ASSEMBLY – Crankcase front end | | | | |
| | COVER ASSEMBLY | 173, 202 Eng. | | 2814753 | 1 |
| | BOLT – Crankcase front cover | 173, 202 Eng. | | 7427738 | 6 |
| | PIN – Crankcase front cover | 173, 202 Eng. | | 141216 | 2 |
| | COVER ASSEMBLY | 253, 308 Eng. | | 2816753 | 1 |
| | PIN – Crankcase front cover | 253, 308 Eng. | | 141192 | 2 |
| | COVER ASSEMBLY | 350 Eng. | | 3991433 | 1 |
| | PIN – Crankcase front cover | 350 Eng. | | 3836903 | 1 |
| | SCREW & LOCK WASHER ASSEMBLY – Crankcase front cover | 350 Eng. | | 3817006 | 10 |
| 0.207 | GASKET – Crankcase front end cover | | | | |
| | GASKET | 173, 202 Eng. | | 7420004 | 1 |
| | GASKET | 253, 308 Eng. | | 7434717 | 1 |
| | GASKET | 350 Eng. | | 3799620 | 1 |
| 0.209 | SEAL – Crankcase front end cover oil | | | | |
| | SEAL | 173, 202 Eng. | | 3835946 | 1 |
| | SEAL | 253, 308, 350 Eng. | | 3980267 | 1 |
| 0.210 | INDICATOR – Timing | | | | |
| | INDICATOR | 253, 308 Eng. | | 7435456 | 1 |
| 0.269 | HEAD ASSEMBLY – Cylinder | | | | |
| | HEAD COMPLETE | 173 Eng. 8.3:1 C.R. | | 2819457 | 1 |
| | HEAD COMPLETE | 173 Eng. 9.4:1 C.R. | | 2819454 | 1 |
| | HEAD COMPLETE | 202 Eng. | | 2819457 | 1 |
| | HEAD COMPLETE | 253, 308 Eng. | | 2812173 | 2 |
| | HEAD | 173 Eng. 8.3:1 C.R. | | 2823851 | 1 |
| | HEAD | 173 Eng. 9.4:1 C.R. | | 2823850 | 1 |
| | HEAD | 202 Eng. | | 2823851 | 1 |
| | HEAD | 253, 308 Eng. | | 2812174 | 2 |
| | HEAD | 350 Eng. | | (¹² 3990941 | 2 |
| | HEAD | 350 Eng. | | (¹³ 3997416 | 2 |
| | PLUG – Water jacket core 3/4" | 173, 202 Eng. | | 7420138 | 3 |
| | PLUG – Water temperature switch hole | 350 Eng. | | 444788 | 1 |
| | PIN – Dowel | 350 Eng. | | 585927 | 4 |

NOTE - Head complete includes Valves, Valve Springs, Caps and Keys.

Note: (¹² Casting No. 3973469 on the top rear surface of Inlet Manifold.

(¹³ Casting No. 6263751 on the top rear surface of Inlet Manifold.

(⁹⁶ Optional with 9929164.

(⁹⁷ Optional with 9929165.

"HQ" PARTS CATALOGUE

| GROUP | DESCRIPTION | MODEL | SIDE | PART No. | QTY. |
|--------------|---|--------------------------------|------|----------|------|
| 0.277 | SWITCH SENDER UNIT – Thermo | | | | |
| | SWITCH – Thermo tell-tale (warning lamps) | Exc. 60 H/Duty Rad., Air Cond. | | 7428031 | 1 |
| | SWITCH – Thermo tell-tale (warning lamps) | 60 | | 7438087 | 1 |
| | SWITCH – Thermo tell-tale (warning lamps) | H/Duty Rad., Air Cond. | | 7438087 | 1 |
| | SENDER UNIT – Engine (gauges) | ALL | | 7438478 | 1 |
| | ADAPTOR – Engine sender unit (gauges) | ALL | | 7438477 | 1 |
| 0.289 | GASKET SET, GASKET – Cylinder head | | | | |
| | GASKET SET | 173 Eng. | | 2819458 | 1 |
| | GASKET | 173 Eng. | | 2810692 | 1 |
| | GASKET SET | 202 Eng. | | 7430270 | 1 |
| | GASKET | 202 Eng. | | 7429473 | 1 |
| | GASKET SET | 253 Eng. | | 2811056 | 1 |
| | GASKET | 253 Eng. | | 7434812 | 2 |
| | GASKET SET | 308 Eng. | | 2811057 | 1 |
| | GASKET | 308 Eng. | | 7438960 | 2 |
| | GASKET SET | 350 Eng. | | 3957998 | 1 |
| | GASKET | 350 Eng. | | 3830711 | 2 |
| 0.293 | BOLT – Cylinder head | | | | |
| | BOLT | 173, 202 Eng. | | 7420137 | 14 |
| | BOLT – 1 $\frac{1}{8}$ " long | 253, 308 Eng. | | 7434808 | 10 |
| | BOLT – 3 $\frac{1}{8}$ " long | 253, 308 Eng. | | 7434809 | 4 |
| | BOLT – 4 $\frac{1}{4}$ " long | 253, 308 Eng. | | 7434810 | 10 |
| | BOLT – 1 $\frac{3}{4}$ " long | 350 Eng. | | 3704796 | 16 |
| | BOLT – 3" long | 350 Eng. | | 3767468 | 4 |
| | BOLT – 3 $\frac{3}{4}$ " long | 350 Eng. | | 3734594 | 14 |
| 0.296 | VALVE – Inlet | | | | |
| | STANDARD | 173, 202 Eng. | | 7420071 | 6 |
| | .0015" O/S | 173, 202 Eng. | | 7427731 | 6 |
| | .003" O/S | 173, 202 Eng. | | 7420172 | 6 |
| | .015" O/S | 173, 202 Eng. | | 7420173 | 6 |
| | .030" O/S | 173, 202 Eng. | | 7420174 | 6 |
| | STANDARD | 253, 308 Eng. | | 7434767 | 8 |
| | .0015" O/S | 253, 308 Eng. | | 7434814 | 8 |
| | .003" O/S | 253, 308 Eng. | | 7434815 | 8 |
| | .015" O/S | 253, 308 Eng. | | 7434816 | 8 |
| | .030" O/S | 253, 308 Eng. | | 7434817 | 8 |
| | STANDARD | 350 Eng. | | 3989085 | 8 |
| | .003" O/S | 350 Eng. | | 3995681 | 8 |
| | .015" O/S | 350 Eng. | | 3995682 | 8 |
| | .030" O/S | 350 Eng. | | 3995683 | 8 |
| 0.297 | VALVE – Exhaust | | | | |
| | STANDARD | 173, 202 Eng. | | 7420072 | 6 |
| | .0015" O/S | 173, 202 Eng. | | 7427732 | 6 |
| | .003" O/S | 173, 202 Eng. | | 7420175 | 6 |
| | .015" O/S | 173, 202 Eng. | | 7420176 | 6 |
| | .030" O/S | 173, 202 Eng. | | 7420177 | 6 |
| | STANDARD | 253, 308 Eng. | | 7434768 | 8 |
| | .0015" O/S | 253, 308 Eng. | | 7434818 | 8 |
| | .003" O/S | 253, 308 Eng. | | 7434819 | 8 |
| | .015" O/S | 253, 308 Eng. | | 7434820 | 8 |
| | .030" O/S | 253, 308 Eng. | | 7434821 | 8 |
| | STANDARD | 350 Eng. | | 3989084 | 8 |
| | .003" O/S | 350 Eng. | | 3995602 | 8 |
| | .015" O/S | 350 Eng. | | 3995603 | 8 |
| | .030" O/S | 350 Eng. | | 3995604 | 8 |

"HQ" PARTS CATALOGUE

| GROUP | DESCRIPTION | MODEL | SIDE | PART No. | QTY. |
|--------------|---|------------------------------|------|-------------------------|-------|
| 0.303 | SPRING – Valve | | | | |
| | SPRING | 173, 202 Eng. | | 7420073 | 12 |
| | SPRING | 253, 308 Eng. | | 3911068 | 16 |
| | SPRING | 350 Eng. | | (¹² 3911068 | 16 |
| | SPRING – Inlet | 350 Eng. | | (¹³ 3911068 | 8 |
| | SPRING – Exhaust | 350 Eng. | | (¹³ 6263796 | 8 |
| 0.308 | SEAL, SHIELD – Valve stem | | | | |
| | SEAL | 173, 202, 350 Eng. | | 3835333 | 12-16 |
| | SEAL | 253, 308 Eng. | | 7434738 | 16 |
| | SHIELD | 173, 202 Eng. | | 3836755 | 12 |
| | SHIELD | 253, 308 Eng. | | 7436029 | 16 |
| | SHIELD | 350 Eng. | | 3836755 | 16 |
| 0.309 | CAP – Valve spring | | | | |
| | CAP | 173, 202 Eng. | | 3711176 | 12 |
| | CAP | 253, 308, 350 Eng. | | 3896934 | 16 |
| 0.310 | KEY – Valve stem | | | | |
| | KEY | ALL | | 838029 | 24-32 |
| 0.333 | ARM, ARM UNIT – Valve rocker | | | | |
| | ARM | 173, 202 Eng. | | 2811931 | 12 |
| | ARM | 253, 308 Eng. | | 7434870 | 16 |
| | ARM | 350 Eng. | | 3843359 | 16 |
| | ARM UNIT | 350 Eng. | | 3974290 | 16 |
| 0.386 | COVER – Valve rocker | | | | |
| | COVER | 173, 202 Eng. | | 9928697 | 1 |
| | COVER ASSEMBLY | 253, 308 Eng. | LH | 7449188 | 1 |
| | | | RH | 2816947 | 1 |
| | COVER | 350 Eng. | LH | 3965542 | 1 |
| | | | RH | 3990994 | 1 |
| 0.388 | TRANSFER – Valve rocker cover | | | | |
| | TRANSFER – Engine capacity identification | 173 Eng. 8.3:1 C.R. | | 2815876 | 1 |
| | TRANSFER – Engine capacity identification | 173 Eng. 9.4:1 C.R. | | 2815875 | 1 |
| | TRANSFER – Engine capacity identification | 202 Eng. 7.8:1 C.R. | | 2815878 | 1 |
| | TRANSFER – Engine capacity identification | 202 Eng. 9.4:1 C.R. | | 2815877 | 1 |
| | EMBLEM | 350 Eng. | | 3946860 | 1 |
| 0.413 | REINFORCEMENT – Valve rocker cover | | | | |
| | REINFORCEMENT | 173, 202, 253, 308 Eng. | | 2806691 | 8-12 |
| | REINFORCEMENT | 350 Eng. | | 3916314 | 8 |
| 0.423 | GASKET – Valve rocker cover | | | | |
| | GASKET | 173, 202 Eng. | | 2805794 | 1 |
| | GASKET | 253, 308 Eng. | | 2820930 | 2 |
| | GASKET | 350 Eng. | | 3933964 | 2 |
| 0.426 | ROD – Valve push | | | | |
| | ROD | 173, 202 Eng. | | 2811932 | 12 |
| | ROD ASSEMBLY | 253, 308 Eng. | | 7436758 | 16 |
| | ROD | 350 Eng. | | 3796243 | 16 |

Note: (¹² Casting No. 3973469 on the top rear surface of Inlet Manifold.

(¹³ Casting No. 6263751 on the top rear surface of Inlet Manifold.

"HQ" PARTS CATALOGUE

| GROUP | DESCRIPTION | MODEL | SIDE | PART No. | QTY. |
|--------------|---|-------------------------|------|----------|-------|
| 0.429 | STUD, BALL, NUT, PIVOT – Valve rocker arm | | | | |
| | PIVOT | 173, 202 Eng. | | 2811933 | 6 |
| | STUD – .003" O/S | 350 Eng. | | 3814692 | 16 |
| | STUD – .013" O/S | 350 Eng. | | 3815892 | 16 |
| | BALL | 350 Eng. | | 3744340 | 16 |
| | NUT | 350 Eng. | | 3744341 | 16 |
| | PIVOT | 253, 308 Eng. | | 7434861 | 8 |
| | BOLT – Pivot | 173, 202, 253, 308 Eng. | | 9423842 | 12-16 |
| 0.439 | COVER – Valve push rod | | | | |
| | COVER | 173, 202 Eng. | | 7420124 | 2 |
| 0.443 | GASKET – Valve push rod cover | | | | |
| | GASKET | 173, 202 Eng. | | 2805795 | 2 |
| 0.449 | BOLT – Valve push rod cover | | | | |
| | BOLT and SEAL ASSEMBLY | 173, 202 Eng. | | 7421877 | 6 |
| | SEAL | 173, 202 Eng. | | M35821 | 6 |
| 0.459 | LIFTER ASSEMBLY – Hydraulic valve | | | | |
| | LIFTER ASSEMBLY | 173, 202, 253, 308 Eng. | | 5232920 | 12-16 |
| | RETAINER – Lifter plunger | 173, 203, 253, 308 Eng. | | 5231369 | 12-16 |
| | LIFTER ASSEMBLY | 350 Eng. | | 5232450 | 16 |
| 0.519 | CAMSHAFT | | | | |
| | CAMSHAFT | 173 Eng. | | 7420034 | 1 |
| | CAMSHAFT | 202 Eng. | | 2818929 | 1 |
| | CAMSHAFT | 253, 308 Eng. | | 7434871 | 1 |
| | CAMSHAFT | 350 Eng. | | 3896929 | 1 |
| 0.533 | BEARING – Camshaft thrust LOCATOR, BOLT – Camshaft | | | | |
| | BEARING | 173, 202 Eng. | | 7429774 | 1 |
| | LOCATOR | 253, 308 Eng. | | 7435250 | 1 |
| | BOLT | 253, 308 Eng. | | 7435107 | 1 |
| 0.536 | BEARING SET – Camshaft | | | | |
| | BEARING SET | 173, 202 Eng. | | 7423616 | 1 |
| | BEARING SET | 253, 308 Eng. | | 2811061 | 1 |
| 0.539 | BEARING – Camshaft front | | | | |
| | BEARING | 350 Eng. | | 3723584 | 1 |
| 0.543 | BEARING – Camshaft front intermediate | | | | |
| | BEARING | 350 Eng. | | 3723585 | 1 |
| 0.544 | BEARING – Camshaft centre | | | | |
| | BEARING | 350 Eng. | | 3723586 | 1 |
| 0.546 | BEARING – Camshaft rear intermediate | | | | |
| | BEARING | 350 Eng. | | 3723586 | 1 |
| 0.549 | BEARING – Camshaft rear | | | | |
| | BEARING | 350 Eng. | | 3723585 | 1 |
| 0.553 | PLUG – Camshaft rear bearing | | | | |
| | PLUG | 173, 202 Eng. | | 3789860 | 1 |
| | PLUG – Cup 2 1/8" | 173, 202 Eng. | | SP1649 | 1 |
| | PLUG | 253, 308 Eng. | | SP1975 | 1 |
| | PLUG | 350 Eng. | | 3704158 | 1 |

ENGINE and CLUTCH

"HQ" PARTS CATALOGUE

| GROUP | DESCRIPTION | MODEL | SIDE | PART No. | QTY. |
|--------------|---|--------------------------|------|----------|------|
| 0.603 | ROD ASSEMBLY – Connecting | | | | |
| | ROD ASSEMBLY | 173, 202 Eng. | | 7429519 | 6 |
| | ROD ASSEMBLY | 253, 308 Eng. | | 7435450 | 8 |
| | ROD ASSEMBLY | 350 Eng. | | 3916396 | 8 |
| 0.616 | BEARING SET, BEARING UNIT – Connecting rod | | | | |
| | BEARING SET – Standard | 173, 202 Eng. | | 7430450 | 1 |
| | BEARING SET – .001" U/S | 173, 202 Eng. | | 7430451 | 1 |
| | BEARING SET – .002" U/S | 173, 202 Eng. | | 7430452 | 1 |
| | BEARING SET – .010" U/S | 173, 202 Eng. | | 7430453 | 1 |
| | BEARING SET – .020" U/S | 173, 202 Eng. | | 7430454 | 1 |
| | BEARING SET – Standard | 253, 308 Eng. | | 2806399 | 1 |
| | BEARING SET – .001" U/S | 253, 308 Eng. | | 2806400 | 1 |
| | BEARING SET – .002" U/S | 253, 308 Eng. | | 2813373 | 1 |
| | BEARING SET – .010" U/S | 253, 308 Eng. | | 2813379 | 1 |
| | BEARING UNIT – Standard | 173, 202 Eng. | | 7430444 | 6 |
| | BEARING UNIT – .001" U/S | 173, 202 Eng. | | 7430445 | 6 |
| | BEARING UNIT – .002" U/S | 173, 202 Eng. | | 7430446 | 6 |
| | BEARING UNIT – .010" U/S | 173, 202 Eng. | | 7430448 | 6 |
| | BEARING UNIT – .020" U/S | 173, 202 Eng. | | 7430449 | 6 |
| | BEARING UNIT – Standard | 253, 308 Eng. | | 2806382 | 8 |
| | BEARING UNIT – .001" U/S | 253, 308 Eng. | | 2806383 | 8 |
| | BEARING UNIT – .002" U/S | 253, 308 Eng. | | 2813372 | 8 |
| | BEARING UNIT – .010" U/S | 253, 308 Eng. | | 2813378 | 8 |
| | BEARING UNIT – Standard | 350 Eng. | | 3910555 | 8 |
| | BEARING UNIT – .001" U/S | 350 Eng. | | 3910556 | 8 |
| | BEARING UNIT – .002" U/S | 350 Eng. | | 3910557 | 8 |
| | BEARING UNIT – .010" U/S | 350 Eng. | | 3910558 | 8 |
| | BEARING UNIT – .020" U/S | 350 Eng. | | 3910559 | 8 |
| 0.623 | BOLT – Connecting rod | | | | |
| | BOLT | 173, 202 Eng. | | 7420086 | 12 |
| | BOLT | 253, 308 Eng. | | 7434726 | 16 |
| | BOLT | 350 Eng. | | 3916399 | 16 |
| 0.626 | NUT – Connecting rod bolt | | | | |
| | NUT | 173, 202 Eng. | | 6255523 | 12 |
| | NUT | 253, 308 Eng. | | 3784834 | 16 |
| | NUT | 350 Eng. | | 3866766 | 16 |
| 0.629 | PISTON and PIN ASSEMBLY | | | | |
| | STANDARD | 173 Eng. 8.3:1 C.R. | | 2819526 | 6 |
| | STANDARD – High limit | 173 Eng. 8.3:1 C.R. | | 2819527 | 6 |
| | .001" O/S | 173 Eng. 8.3:1 C.R. | | 2819528 | 6 |
| | .002" O/S | 173 Eng. 8.3:1 C.R. | | 2819529 | 6 |
| | STANDARD | 173 Eng. 9.4:1 C.R. | | 2819519 | 6 |
| | STANDARD – High limit | 173 Eng. 9.4:1 C.R. | | 2819520 | 6 |
| | .001" O/S | 173 Eng. 9.4:1 C.R. | | 2819521 | 6 |
| | .002" O/S | 173 Eng. 9.4:1 C.R. | | 2819522 | 6 |
| | .020" O/S | 173 Eng. 9.4:1 C.R. | | 2819523 | 6 |
| | .030" O/S | 173 Eng. 9.4:1 C.R. | | 2819524 | 6 |
| | .040" O/S | 173 Eng. 9.4:1 C.R. | | 2819525 | 6 |
| | STANDARD | 202 Eng. 7.8:1 C.R. | | 2819512 | 6 |
| | STANDARD – High limit | 202 Eng. 7.8:1 C.R. | | 2819513 | 6 |
| | .001" O/S | 202 Eng. 7.8:1 C.R. | | 2819514 | 6 |
| | .002" O/S | 202 Eng. 7.8:1 C.R. | | 2819515 | 6 |
| | STANDARD | 202 Eng. 9.4:1 C.R. | | 2819505 | 6 |
| | STANDARD – High limit | 202 Eng. 9.4:1 C.R. | | 2819506 | 6 |
| | .001" O/S | 202 Eng. 9.4:1 C.R. | | 2819507 | 6 |
| | .002" O/S | 202 Eng. 9.4:1 C.R. | | 2819508 | 6 |
| | .020" O/S | 202 Eng. 9.4:1 C.R. | | 2819509 | 6 |
| | .030" O/S | 202 Eng. 9.4:1 C.R. | | 2819510 | 6 |
| | .040" O/S | 202 Eng. 9.4:1 C.R. | | 2819511 | 6 |

"HQ" PARTS CATALOGUE

| GROUP | DESCRIPTION | MODEL | SIDE | PART No. | QTY. |
|--------------|--|---------------------|------|--------------------------|------|
| 0.629 | PISTON and PIN ASSEMBLY (contd.) | | | | |
| | STANDARD | 253 Eng. 8.0:1 C.R. | | 2811397 | 8 |
| | STANDARD - High limit | 253 Eng. 8.0:1 C.R. | | 2811398 | 8 |
| | .001" O/S | 253 Eng. 8.0:1 C.R. | | 2812349 | 8 |
| | .002" O/S | 253 Eng. 8.0:1 C.R. | | 2812350 | 8 |
| | .020" O/S | 253 Eng. 8.0:1 C.R. | | 2811399 | 8 |
| | .030" O/S | 253 Eng. 8.0:1 C.R. | | 2811400 | 8 |
| | STANDARD | 253 Eng. 9.0:1 C.R. | | 2811402 | 8 |
| | STANDARD - High limit | 253 Eng. 9.0:1 C.R. | | 2811403 | 8 |
| | .001" O/S | 253 Eng. 9.0:1 C.R. | | 2812347 | 8 |
| | .002" O/S | 253 Eng. 9.0:1 C.R. | | 2812348 | 8 |
| | .020" O/S | 253 Eng. 9.0:1 C.R. | | 2811404 | 8 |
| | .030" O/S | 253 Eng. 9.0:1 C.R. | | 2811405 | 8 |
| | STANDARD | 308 Eng. | | 2811407 | 8 |
| | STANDARD - High limit | 308 Eng. | | 2811408 | 8 |
| | .001" O/S | 308 Eng. | | 2812351 | 8 |
| | .002" O/S | 308 Eng. | | 2812352 | 8 |
| | .020" O/S | 308 Eng. | | 2811409 | 8 |
| | .030" O/S | 308 Eng. | | 2811410 | 8 |
| | STANDARD | 350 Eng. | | 3991488 | 8 |
| | STANDARD - High limit | 350 Eng. | | 3991489 | 8 |
| | .030" O/S | 350 Eng. | | 3991491 | 8 |
| 0.636 | PIN - Piston | | | | |
| | PIN | 173, 202 Eng. | | 7421214 | 6 |
| | PIN | 253 Eng. | | 7434728 | 8 |
| | PIN | 308 Eng. | | 7435617 | 8 |
| 0.643 | RING SET - Piston | | | | |
| | STANDARD | 173 Eng. | | 2819098 | 1 |
| | .020" O/S | 173 Eng. | | 2819099 | 1 |
| | .030" O/S | 173 Eng. | | 2819100 | 1 |
| | .040" O/S | 173 Eng. | | 2819101 | 1 |
| | STANDARD | 202 Eng. | | 2819696 | 1 |
| | .020" O/S | 202 Eng. | | 2819697 | 1 |
| | .030" O/S | 202 Eng. | | 2819698 | 1 |
| | .040" O/S | 202 Eng. | | 2819699 | 1 |
| | STANDARD | 253 Eng. | | 2811532 | 1 |
| | .020" O/S | 253 Eng. | | 2811536 | 1 |
| | .030" O/S | 253 Eng. | | 2811537 | 1 |
| | STANDARD | 308 Eng. | | 2811531 | 1 |
| | .020" O/S | 308 Eng. | | 2811533 | 1 |
| | .030" O/S | 308 Eng. | | 2811534 | 1 |
| | STANDARD | 350 Eng. | | (¹) 3892364 | 1 |
| | .020" O/S | 350 Eng. | | (¹) 3892365 | 1 |
| | .030" O/S | 350 Eng. | | (¹) 3892366 | 1 |
| | STANDARD | 350 Eng. | | (²) 3799438 | 1 |
| | .020" O/S | 350 Eng. | | (²) 3799448 | 1 |
| | .030" O/S | 350 Eng. | | (²) 3799458 | 1 |
| 0.646 | CRANKSHAFT ASSEMBLY | | | | |
| | CRANKSHAFT ASSEMBLY | (M) 173 Eng. | | 7434301 | 1 |
| | CRANKSHAFT ASSEMBLY | (M) 202 Eng. | | 2811354 | 1 |
| | CRANKSHAFT ASSEMBLY | (A) 173 Eng. | | 7431327 | 1 |
| | CRANKSHAFT ASSEMBLY | (A) 202 Eng. | | 2811370 | 1 |
| | CRANKSHAFT ASSEMBLY | 253 Eng. | | (³) 7435606 | 1 |
| | CRANKSHAFT ASSEMBLY | (M) 308 Eng. | | 7439898 | 1 |
| | CRANKSHAFT | (A) 308 Eng. | | 7437377 | 1 |
| | CRANKSHAFT ASSEMBLY | 350 Eng. | | (³) 3932444 | 1 |
| Note: | ⁽¹⁾ Production type ring sets are identical to the factory equipment rings and are recommended for low mileage slightly worn cylinders or rebored engines. These sets are recommended for all Warranty replacements. ⁽²⁾ Service type ring sets are specially developed for Service replacement purposes and incorporate outstanding oil features. These sets are recommended for use on high mileage vehicles with badly worn cylinders. ⁽³⁾ Remove Clutch Pilot Bearing on vehicles fitted with Automatic Transmission. | | | | |

"HQ" PARTS CATALOGUE

| GROUP | DESCRIPTION | MODEL | SIDE | PART No. | QTY. |
|--------------|---|---|------|--------------------------|------|
| 0.649 | BEARING – Crankshaft clutch pilot SLEEVE – Converter pilot | | | | |
| | BEARING | (M) 173, 202, 253, 308 Eng. | | 412562 | 1 |
| | BEARING | (M) 350 Eng. | | 3752487 | 1 |
| | SLEEVE | (A) 173, 202 Eng. | | 7420798 | 1 |
| 0.659 | DAMPER ASSEMBLY, PULLEY – Crankshaft | | | | |
| | DAMPER ASSEMBLY | 173, 202 Eng. | | 7434224 | 1 |
| | DAMPER ASSEMBLY | 253, 308 Eng. | | 7435458 | 1 |
| | DAMPER ASSEMBLY | 350 Eng. | | (¹² 3947701) | 1 |
| | DAMPER ASSEMBLY | 350 Eng. | | (¹² 6272221) | 1 |
| | PULLEY | 173, 202 Eng. P/Stg. exc. Air Cond. | | 2815586 | 1 |
| | PULLEY | 202 Eng. Air Cond. exc. P/Stg. | | 2815587 | 1 |
| | PULLEY ASSEMBLY | 202 Eng. P/Stg., Air Cond. | | 2815585 | 1 |
| | PULLEY ASSEMBLY | 253, 308 Eng. exc. P/Stg., Air Cond. | | 2813531 | 1 |
| | PULLEY ASSEMBLY | 253, 308 Eng. P/Stg., exc. Air Cond. | | 2813532 | 1 |
| | PULLEY ASSEMBLY | 253, 308 Eng. Air Cond. exc. P/Stg. | | 2813535 | 1 |
| | PULLEY ASSEMBLY | 253, 308 Eng. Air Cond., P/Stg. | | 2813536 | 1 |
| | PULLEY ASSEMBLY | 350 Eng. exc. P/Stg., Air Cond. | | 3956664 | 1 |
| | PULLEY ASSEMBLY | 350 Eng. P/Stg., exc. Air Cond. | | 3956666 | 1 |
| | PULLEY ASSEMBLY | 350 Eng. Air Cond. | | 3972180 | 1 |
| | WASHER – Damper to crankshaft | 253, 308 Eng. | | 7435295 | 1 |
| | BOLT – Pulley to crankshaft | 350 Eng. | | 7419513 | 3 |
| | BOLT – Pulley to crankshaft | 350 Eng. | | 9428643 | 1 |
| | WASHER – Pulley to crankshaft | 350 Eng. | | 3739422 | 1 |
| 0.666 | FLYWHEEL and RING GEAR ASSEMBLY | | | | |
| | FLYWHEEL & RING GEAR ASSEMBLY | (M) 173, 202 Eng. | | 7420114 | 1 |
| | FLYWHEEL & RING GEAR ASSEMBLY | (A) 173, 202 Eng. | | 7420311 | 1 |
| | FLYWHEEL & RING GEAR ASSEMBLY | (M) 253, 308 Eng. | | 7434800 | 1 |
| | FLYWHEEL & RING GEAR ASSEMBLY | (A) 253, 308 Eng. | | 7437372 | 1 |
| | FLYWHEEL & RING GEAR ASSEMBLY | (A) 350 Eng. | | 3991403 | 1 |
| | FLYWHEEL & RING GEAR ASSEMBLY | (M) 350 Eng. | | (¹² 3991469) | 1 |
| | FLYWHEEL & RING GEAR ASSEMBLY | (M) 350 Eng. | | (¹² 3998281) | 1 |
| 0.669 | BOLT – Flywheel to crankshaft | | | | |
| | BOLT | (M) 173, 202 Eng. | | 7420118 | 6 |
| | BOLT | (A) 173, 202 Eng. | | 7420312 | 6 |
| | BOLT | (M) 253, 308 Eng. | | 7434739 | 6 |
| | BOLT | (A) 253, 308 Eng. | | 7434778 | 6 |
| | BOLT | (A) 350 Eng. | | 3727207 | 6 |
| | BOLT | (M) 350 Eng. | | 839756 | 6 |
| 0.673 | GEAR – Flywheel ring | | | | |
| | GEAR | (M) 173, 202 Eng. | | 7431533 | 1 |
| | GEAR | (M) 253, 308 Eng. | | 2812461 | 1 |
| | GEAR | (M) 350 Eng. | | 3991408 | 1 |
| 0.679 | COVER ASSEMBLY – Clutch and transmission case, converter housing | | | | |
| | COVER – Upper | 173, 202 Eng. | | 7420128 | 1 |
| | COVER – Lower | (M) 173, 202 Eng. | | 7430096 | 1 |
| | COVER – Lower | (A) 173, 202 Eng. | | 7439693 | 1 |
| | COVER – Lower | 253, 308 Eng. | | 7437069 | 1 |
| | COVER | (M) 350 Eng. | | 3843943 | 1 |
| | COVER – Lower | (A) 350 Eng. | | 3868810 | 1 |
| | BOLT & LOCK WASHER ASSEMBLY | 173, 202, 253, 308 Eng. | | 9416367 | A.R |
| | SCREW – Lower cover to clutch housing | (M) 350 Eng. | | SP1566 | 1 |
| | SCREW – Cover to housing | (A) 350 Eng. | | 9413531 | 4 |

Note: (¹² Casting No. 3973469 on the top rear surface of Inlet Manifold.

(¹² Casting No. 6263751 on the top rear surface of Inlet Manifold.

"HQ" PARTS CATALOGUE

| GROUP | DESCRIPTION | MODEL | SIDE | PART No. | QTY. |
|--------------|--|----------------------------------|------|----------|------|
| 0.683 | HOUSING – Clutch, converter | | | | |
| | HOUSING – Clutch | (M) 173, 202 Eng. | | 7435393 | 1 |
| | HOUSING – Clutch | (M) 253, 308 Eng. | | 2817149 | 1 |
| | HOUSING – Clutch | (M) 350 Eng. | | 3899621 | 1 |
| | HOUSING – Converter | (A) 173, 202 Eng. | | 5258275 | 1 |
| | HOUSING – Converter | (A) 253, 308 Eng. | | 5258276 | 1 |
| | SEAL – Housing | (A) | | 8625571 | 1 |
| | BUSHING – Housing | (A) 173, 202, 253, 308 Eng. | | 2814738 | 1 |
| | BOLT – Housing to cylinder block | (M) 253, 308 Eng. | | SP2139 | 6 |
| | BOLT – Hex. hd. flanged $\frac{5}{16}$ " – 18 x 1 $\frac{5}{8}$ " housing and oil pump to transmission case | (A) 173, 202, 253, 308 Eng. | | 9427182 | 7 |
| | BOLT – Hex. hd. flanged $\frac{5}{16}$ " – 18 x 1 $\frac{5}{8}$ " housing to oil pump | (A) 173, 202, 253, 308 Eng. | | 9423842 | 5 |
| | PIN – Dowel | 173, 202 Eng. | | 7401304 | 2 |
| | PIN – Dowel (Oversize) | 173, 202 Eng. | | 7406004 | 2 |
| | PIN – Housing to cylinder block | 253, 308 Eng. | | 7435646 | 2 |
| | PIN – Clutch housing | (M) 350 Eng. | | 3712745 | 2 |
| | BOLT – Clutch housing | (M) 350 Eng. | | 3828782 | 6 |
| | WASHER – Housing to transmission | (A) 173, 202, 253, 308 Eng. | | 7436448 | 7 |
| 0.724 | CHAIN – Camshaft timing | | | | |
| | CHAIN | 253, 308 Eng. | | 7434733 | 1 |
| | CHAIN | 350 Eng. | | 3896961 | 1 |
| 0.726 | DAMPER ASSEMBLY – Chain | | | | |
| | DAMPER ASSEMBLY | 253, 308 Eng. | | 7436226 | 1 |
| 0.728 | GEAR, SPROCKET – Crankshaft | | | | |
| | GEAR | 173, 202 Eng. | | 7420025 | 1 |
| | SPROCKET | 253, 308 Eng. | | 7434759 | 1 |
| | SPROCKET | 350 Eng. | | 3896959 | 1 |
| | KEY – Woodruff $\frac{3}{16}$ " x $\frac{3}{4}$ " | 173, 202, 350 Eng. | | 106751 | 1 |
| | KEY – Woodruff $\frac{3}{16}$ " x 2 $\frac{1}{8}$ " | 253, 308 Eng. | | 144542 | 1 |
| 0.736 | GEAR KIT, GEAR, SPROCKET – Camshaft | | | | |
| | GEAR KIT | 173, 202 Eng. | | 7431746 | 1 |
| | GEAR – Camshaft | 173, 202 Eng. | | 7430922 | 1 |
| | KEY – Woodruff $\frac{3}{16}$ " x $\frac{3}{4}$ " | 173, 202 Eng. | | 106751 | 1 |
| | SPROCKET | 253 Eng. | | 7434699 | 1 |
| | SPROCKET | 308 Eng. | | 2808386 | 1 |
| | PIN – Sprocket | 253, 308 Eng. | | 141202 | 1 |
| | BOLT – Eccentric & sprocket to camshaft | 253, 308 Eng. | | 7434757 | 1 |
| | SPROCKET | 350 Eng. | | 3896960 | 1 |
| | BOLT – Sprocket | 350 Eng. | | 3874878 | 3 |
| | PIN – Sprocket | 350 Eng. | | 1814997 | 1 |
| 0.738 | RING – Camshaft gear spacing | | | | |
| | RING | 173, 202 Eng. | | 7420026 | 1 |
| 0.748 | NOZZLE – Timing gear oil | | | | |
| | NOZZLE | 173, 202 Eng. | | 7427418 | 1 |
| | NOZZLE | 253, 308 Eng. | | 7437269 | 1 |
| 0.787 | ROD ASSEMBLY – Clutch pull | | | | |
| | ROD ASSEMBLY | (M) exc. 350 Eng. | | 2816542 | 1 |
| 0.795 | FORK, LEVER – Clutch | | | | |
| | FORK | (M) 173, 202 Eng. | | 7448624 | 1 |
| | LEVER | (M) 253, 308 Eng. | | 7436174 | 1 |
| | LEVER | (M) 350 Eng. | | 2822201 | 1 |

"HQ" PARTS CATALOGUE

| GROUP | DESCRIPTION | MODEL | SIDE | PART No. | QTY. |
|--------------|---|------------------------|------|----------|------|
| 0.796 | STUD – Clutch lever ball | | | | |
| | STUD | (M) 173, 202 Eng. | | 7433895 | 1 |
| | STUD | (M) 253, 308 Eng. | | 7430099 | 1 |
| | STUD | (M) 350 Eng. | | 3729000 | 1 |
| 0.797 | PLATE, BOOT – Clutch fork | | | | |
| | PLATE – Guide | (M) 173, 202 Eng. | | 7433793 | 1 |
| | PLATE – Sliding | (M) 173, 202 Eng. | | 7433794 | 1 |
| | PLATE – Guide | (M) 253, 308 Eng. | | 7437138 | 1 |
| | PLATE – Sliding | (M) 253, 308 Eng. | | 7437137 | 1 |
| | BOOT | (M) 350 Eng. | | 3993851 | 1 |
| 0.798 | SPRING – Clutch fork sliding plate retaining | | | | |
| | SPRING | (M) 173, 202 Eng. | | 7433896 | 1 |
| | SPRING | (M) 253, 308 Eng. | | 7409160 | 1 |
| 0.799 | BEARING ASSEMBLY – Clutch throwout | | | | |
| | BEARING ASSEMBLY | (M) exc. 350 Eng. | | CT22 | 1 |
| | BEARING ASSEMBLY | (M) 350 Eng. | | 907963 | 1 |
| 0.823 | SPRING – Clutch lever ball stud | | | | |
| | SPRING | (M) 350 Eng. | | 7448519 | 1 |
| 0.829 | SEAL – Clutch lever shaft ball stud | | | | |
| | SEAL | (M) 350 Eng. | | 1354671 | 1 |
| 0.830 | PEDAL, PAD, BUMPER – Clutch | | | | |
| | PEDAL ASSEMBLY | (M) exc. 350 Eng. | | 2816720 | 1 |
| | PEDAL ASSEMBLY | (M) 350 Eng. | | 2817457 | 1 |
| | PAD – Clutch pedal | (M) | | 7433701 | 1 |
| | BALL – Clutch pedal | (M) exc. 350 Eng. | | 169162 | 1 |
| | BUMPER – Clutch pedal | (M) exc. 350 Eng. | | 2816796 | 1 |
| | BOLT – Bumper to bracket | (M) exc. 350 Eng. | | 9415820 | 1 |
| | BRACKET – Clutch pedal bumper | (M) exc. 350 Eng. | | 2822510 | 1 |
| | SPACER – Clutch pedal bumper bracket | (M) exc. 350 Eng. | | 2814737 | 1 |
| | ECCENTRIC ASSEMBLY – Clutch pedal bumper | (M) exc. 350 Eng. | | 2816786 | 1 |
| | LEVER ASSEMBLY – Clutch pedal push rod | (M) 350 Eng. | | 2816973 | 1 |
| | PIN – Clutch pedal push rod lever assembly | (M) 350 Eng. | | 2817723 | 1 |
| | BOLT – Lever assy. to clutch pedal | (M) 350 Eng. | | SP2035 | 1 |
| 0.831 | BUSHING, BEARING – Clutch pedal | | | | |
| | BUSHING – Special, 5/8" | (M) | | 3798256 | 2 |
| | BEARING – Long | (M) | | 2814737 | 1 |
| | BEARING – Short | (M) 350 Eng. | | 2818961 | 1 |
| 0.837 | BOLT, NUT – Clutch pedal retaining | | | | |
| | BOLT – Hex. hd. 1/2" – 13 x 5 3/4" | (M) exc. 350 Eng. | | 215723 | 1 |
| | BOLT – Hex. hd. 1/2" – 13 x 7 1/2" | (M) exc. 350 Eng. | | SP2297 | 1 |
| | NUT | (M) | | 9422281 | 1 |
| 0.839 | ROD – Clutch lever push | | | | |
| | ROD | (M) exc. 350 Eng. | | 2816851 | 1 |
| | NUT – Adjusting | (M) exc. 350 Eng. | | SP2149 | 1 |
| | NUT – Adjusting | (M) 350 Eng. | | 7429390 | 1 |
| | WASHER – Push rod | (M) 350 Eng. | | SP1766 | 1 |

"HQ" PARTS CATALOGUE

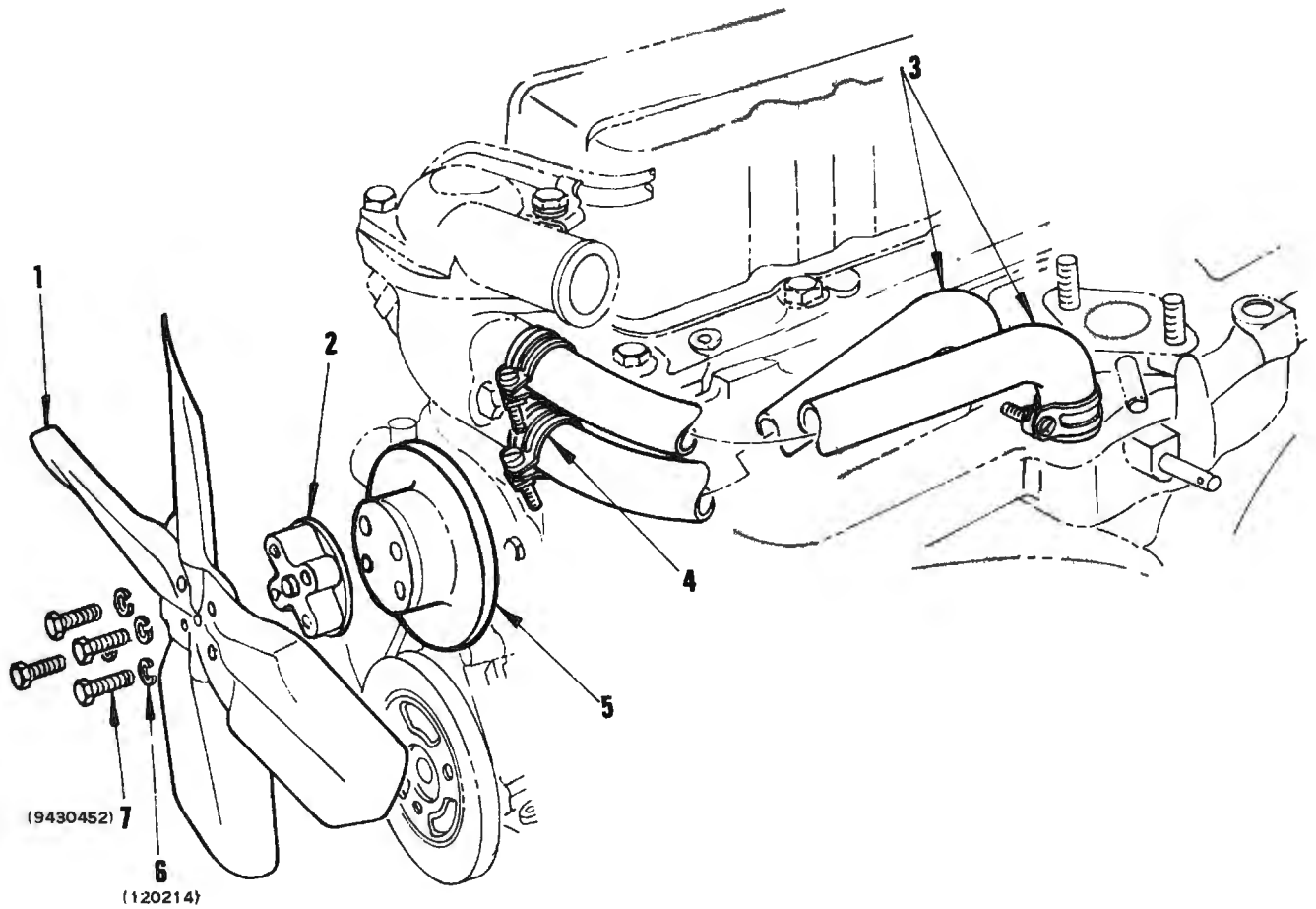
| GROUP | DESCRIPTION | MODEL | SIDE | PART No. | QTY. |
|--------------|--|------------------------|------|----------|------|
| 0.844 | SPRING – Clutch return | | | | |
| | SPRING – Clutch over-centre | (M) exc. 350 Eng. | | 2816812 | 1 |
| | SPRING – Clutch fork retaining | (M) exc. 350 Eng. | | 7428552 | 1 |
| | SPRING – Clutch lever return | (M) exc. 350 Eng. | | 7437128 | 1 |
| | SPRING – Clutch fork return | (M) 350 Eng. | | 2807116 | 1 |
| | BRACKET – Clutch lever spring retaining | (M) 350 Eng. | | 2817454 | 1 |
| 0.852 | LEVER & STRUT ASSEMBLY, LEVER & PIN ASSEMBLY, STRUT ASSEMBLY, LEVER & ROD ASSEMBLY – Clutch relay | | | | |
| | LEVER & STRUT ASSEMBLY | (M) exc. 350 Eng. | | 2820072 | 1 |
| | LEVER & PIN ASSEMBLY | (M) exc. 350 Eng. | LH | 2820241 | 1 |
| | | | RH | 2820240 | 1 |
| | BUSH – Lever pivot | (M) exc. 350 Eng. | | 2815381 | 1 |
| | PIN – Lever pivot | (M) exc. 350 Eng. | | SP2238 | 1 |
| | RETAINER – Lever pin | (M) exc. 350 Eng. | | 2820067 | 1 |
| | WASHER – Lever thrust | (M) exc. 350 Eng. | | 2816690 | 1 |
| | CLIP – Lever spacer | (M) exc. 350 Eng. | | 2816032 | 1 |
| | STRUT ASSEMBLY – Lever | (M) exc. 350 Eng. | | 2820066 | 1 |
| | BRACKET – Strut to dash | (M) exc. 350 Eng. | | 2820071 | 1 |
| | PLATE – Strut insulator upper | (M) exc. 350 Eng. | | 7437489 | 1 |
| | INSULATOR – Strut | (M) exc. 350 Eng. | | 7437284 | 2 |
| | PLATE – Strut insulator lower | (M) exc. 350 Eng. | | 2820063 | 1 |
| | BRACE ASSEMBLY – Clutch lever | (M) exc. 350 Eng. | | 2820068 | 1 |
| | PIN – Brace to strut | (M) exc. 350 Eng. | | SP2239 | 1 |
| | CLIP – Clutch lever brace | (M) exc. 350 Eng. | | 3749084 | 2 |
| | BRACKET ASSEMBLY – Clutch brace | (M) 173, 202 Eng. | | 2817021 | 1 |
| | BRACKET – Clutch brace | (M) 253, 308 Eng. | | 2817077 | 1 |
| | LEVER – Cross shaft push rod | (M) 350 Eng. | | 2817010 | 1 |
| | SPRING – Push rod | (M) 350 Eng. | | 2818098 | 1 |
| | BRACKET & INSULATOR ASSY. – Cross shaft to dash | (M) 350 Eng. | | 2817952 | 1 |
| | SHAFT – Clutch control cross | (M) 350 Eng. | | 2818600 | 1 |
| | BRACKET & INSULATOR ASSY. – Cross shaft to engine | (M) 350 Eng. | | 2823786 | 1 |
| | LEVER – Cross shaft relay | (M) 350 Eng. | | 2818610 | 1 |
| | LEVER & ROD ASSEMBLY | (M) 350 Eng. | | 2818775 | 1 |
| | WASHER – Plain .53" x 1.06" x .085" (Cad) | (M) 350 Eng. | | SP1528 | 2 |
| | BEARING – Clutch relay lever | (M) 350 Eng. | | 2818601 | 1 |
| | SPACER – Cross shaft brace | (M) 350 Eng. | | 2822150 | 1 |
| | BRACE – Dash to clutch pedal | (M) 350 Eng. | | 2823784 | 1 |
| | BUMPER – Clutch pedal brace rubber | (M) 350 Eng. | | 7084112 | 1 |
| 0.861 | COVER and PRESSURE PLATE ASSEMBLY – Clutch | | | | |
| | (Includes Diaphragm Spring) | (M) 173, 202 Eng. | | 7429381 | 1 |
| | (Includes Diaphragm Spring) | (M) 253 Eng. | | 7436634 | 1 |
| | (Includes Diaphragm Spring) | (M) 308 Eng. | | 7436633 | 1 |
| | (Includes Diaphragm Spring) | (M) 350 Eng. | | 3884598 | 1 |
| 0.870 | BOLT – Clutch to flywheel | | | | |
| | BOLT | (M) 173, 202 Eng. | | 7402029 | 4 |
| | BOLT | (M) 253, 308 Eng. | | 7402029 | 6 |
| | BOLT | (M) 350 Eng. | | 838653 | 6 |
| 0.866 | PLATE ASSEMBLY – Clutch driven | | | | |
| | PLATE ASSEMBLY – Regular | (M) 173, 202 Eng. | | 2825485 | 1 |
| | PLATE ASSEMBLY – Heavy duty | (M) 173, 202 Eng. | | 7439027 | 1 |
| | PLATE ASSEMBLY | (M) 253 Eng. | | 7436630 | 1 |
| | PLATE ASSEMBLY | (M) 308 Eng. | | 7436629 | 1 |
| | PLATE ASSEMBLY | (M) 350 Eng. | | 3989030 | 1 |

“HQ” PARTS CATALOGUE

| GROUP | DESCRIPTION | MODEL | SIDE | PART No. | QTY. |
|-------|------------------------------|-------------------|------|----------|------|
| 0.918 | ROD – Clutch pedal push | | | | |
| | ROD | (M) 350 Eng. | | 2817415 | 1 |
| 0.924 | SEAL – Clutch pedal push rod | | | | |
| | SEAL | (M) 350 Eng. | | 2823785 | 1 |

N O T E S

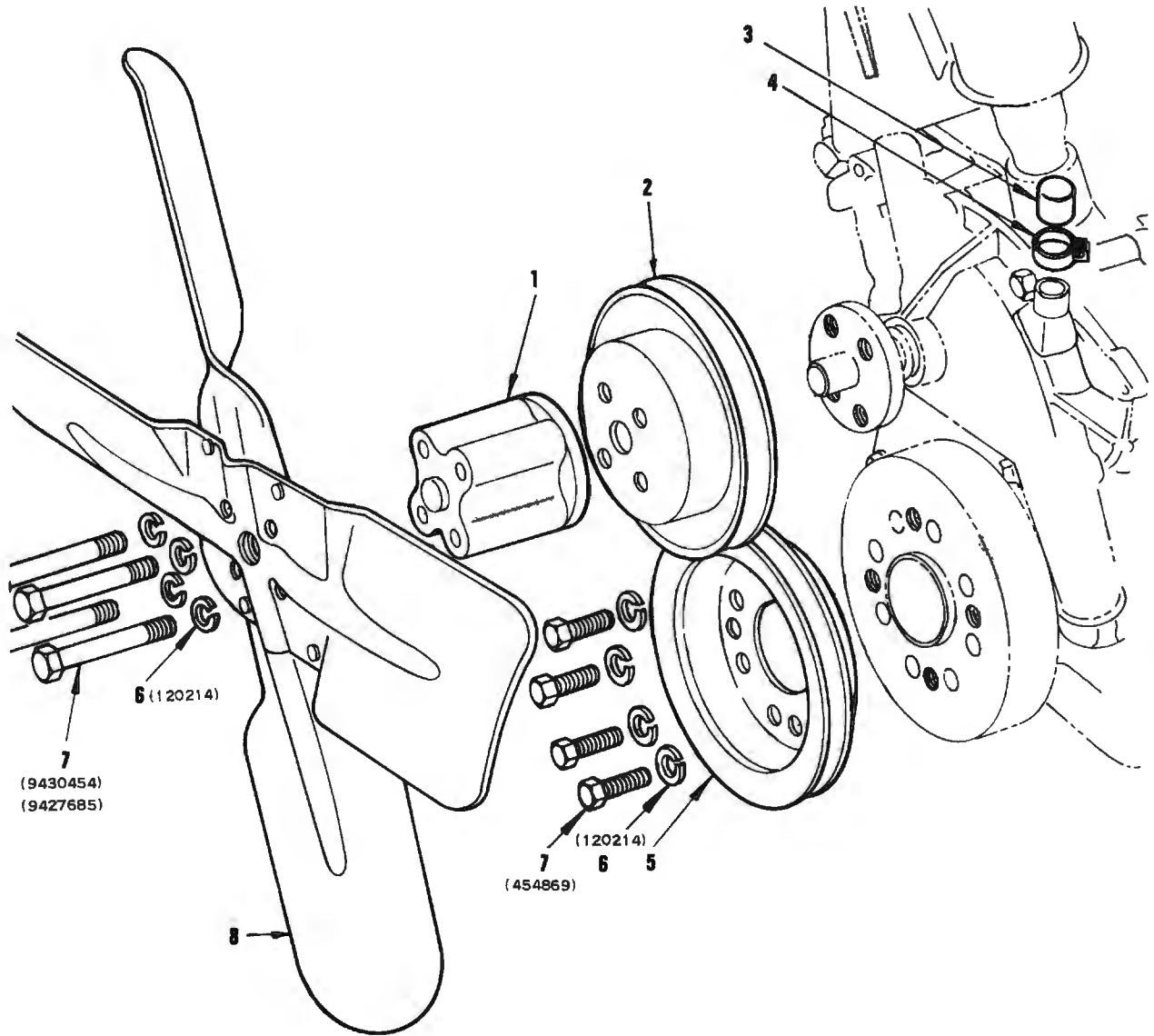
Lined area for notes, consisting of 25 horizontal lines.



MODEL - 173, 202 ENG.

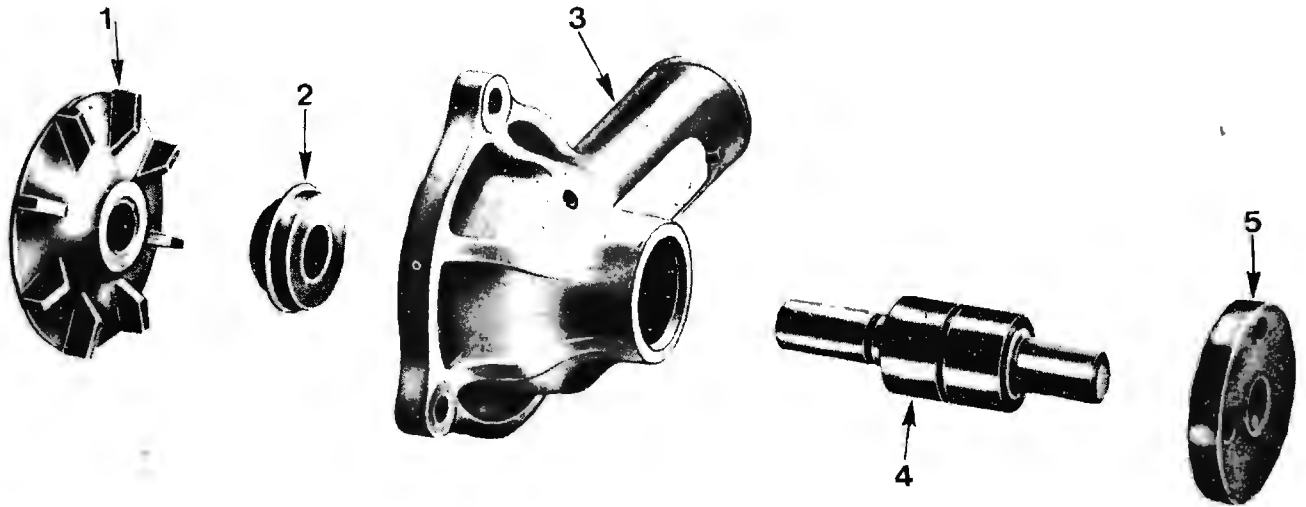
FAN BLADE & PULLEY

| ILLUS. REF. NO. | PART NAME | GROUP | ILLUS REF. NO. | PART NAME | GROUP |
|--------------------|-----------------------------------|-------|-------------------|---------------------------|-------|
| 1. | BLADE ASSEMBLY | 1.064 | 5. | PULLEY ASSEMBLY | 1.062 |
| 2. | SPACER | 1.064 | 6. | WASHER - Lock | 8.931 |
| 3. | HOSE - Inlet manifold water | 3.260 | 7. | BOLT - Hexagon head | 8.900 |
| 4. | CLAMP - Hose | 3.260 | | | |



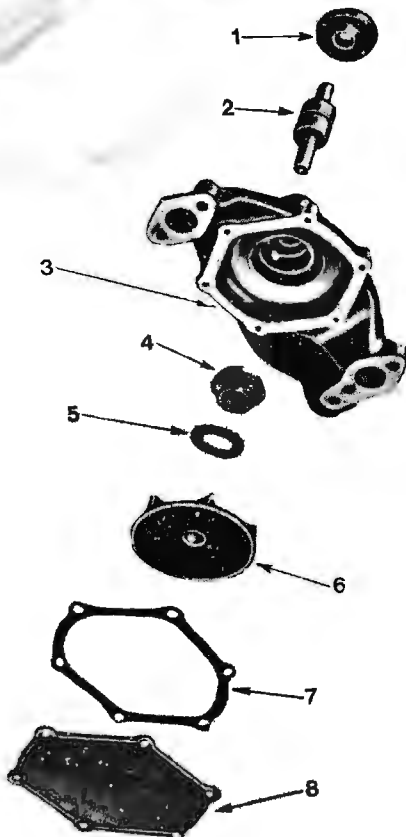
**MODEL - 253, 308 ENG.
FAN BLADE & PULLEY**

| ILLUS. REF. NO. | PART NAME | GROUP | ILLUS. REF. NO. | PART NAME | GROUP |
|-----------------|-------------------------------|-------|-----------------|---------------------------|-------|
| 1. | SPACER | 1.064 | 5. | PULLEY ASSEMBLY | 0.659 |
| 2. | PULLEY ASSEMBLY | 1.062 | 6. | WASHER - Lock | 8.931 |
| 3. | CAP - Heater hose inlet | 1.069 | 7. | BOLT - Hexagon head | 8.900 |
| 4. | CLAMP | 9.779 | 8. | BLADE ASSEMBLY | 1.064 |



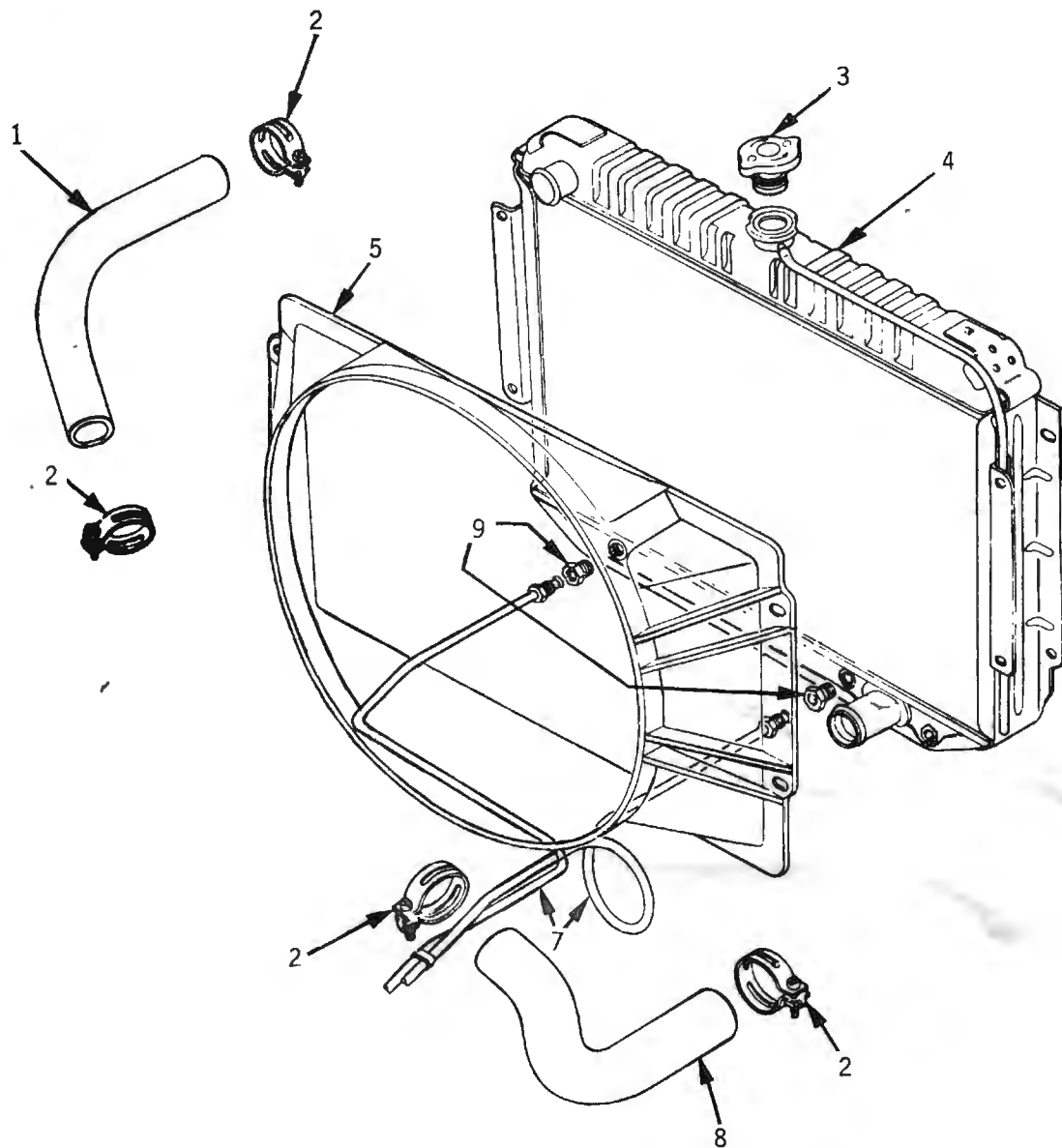
| ILLUS. REF. NO. | DESCRIPTION | GROUP |
|--------------------|---------------------------------------|-------|
| 1. | ROTOR — Water pump | 1.109 |
| 2. | SEAL ASSY. — Water pump | 1.123 |
| 3. | BODY — Water pump | 1.073 |
| 4. | SHAFT & BEARING ASSY. | 1.108 |
| 5. | HUB — Water pump and fan pulley | 1.063 |

WATER PUMP — 6 CYL.



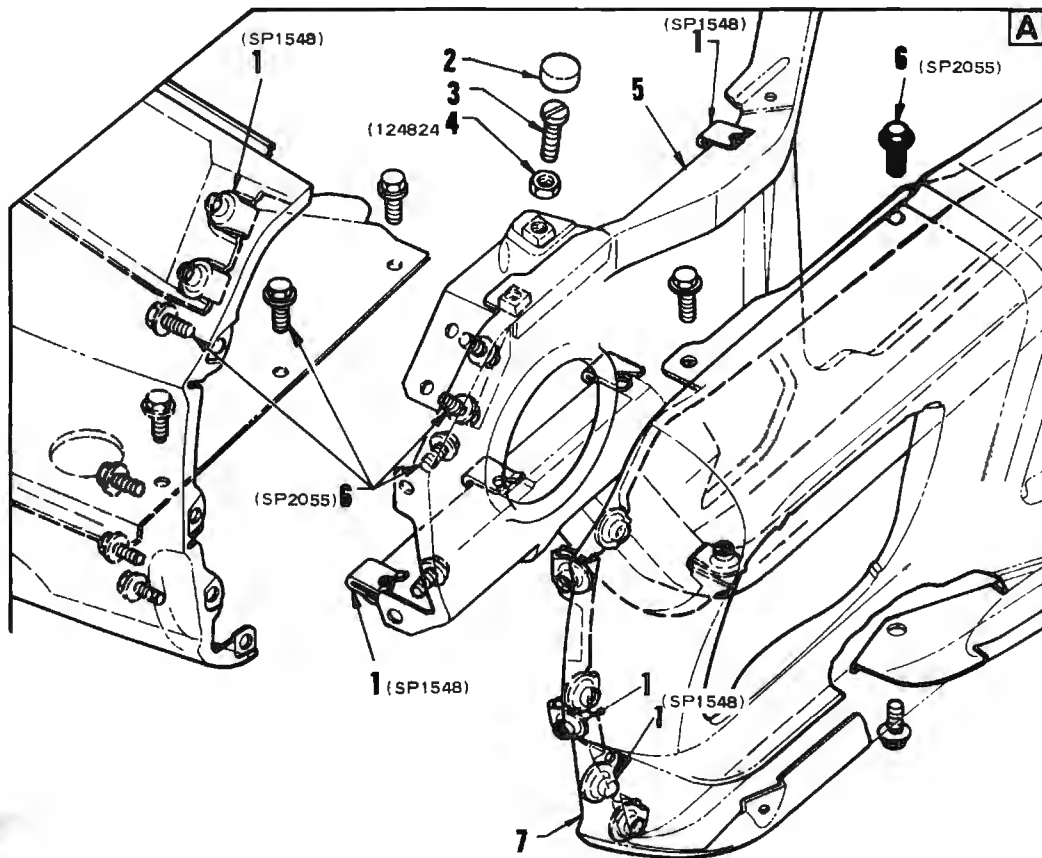
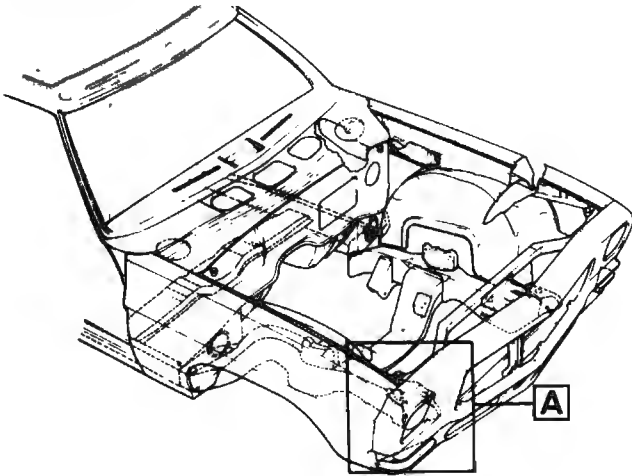
| ILLUS. REF. NO. | DESCRIPTION | GROUP |
|--------------------|---------------------------------------|--------|
| 1. | HUB — Water pump and fan pulley | 1.063 |
| 2. | SHAFT & BEARING ASSY. | 1.108 |
| 3. | BODY — Water pump | 1.073 |
| 4. | SEAL ASSY. — Water pump | 1.123 |
| 5. | SEAL ASSEMBLY — Seal | 1.123 |
| 6. | ROTOR — Water pump | 1.109 |
| 7. | GASKET — Water pump plate | N.S.S. |
| 8. | PLATE — Water pump | N.S.S. |
| 1 — 8 Inc. | PUMP ASSY. | 1.069 |

WATER PUMP — V8



RADIATOR ASSEMBLY

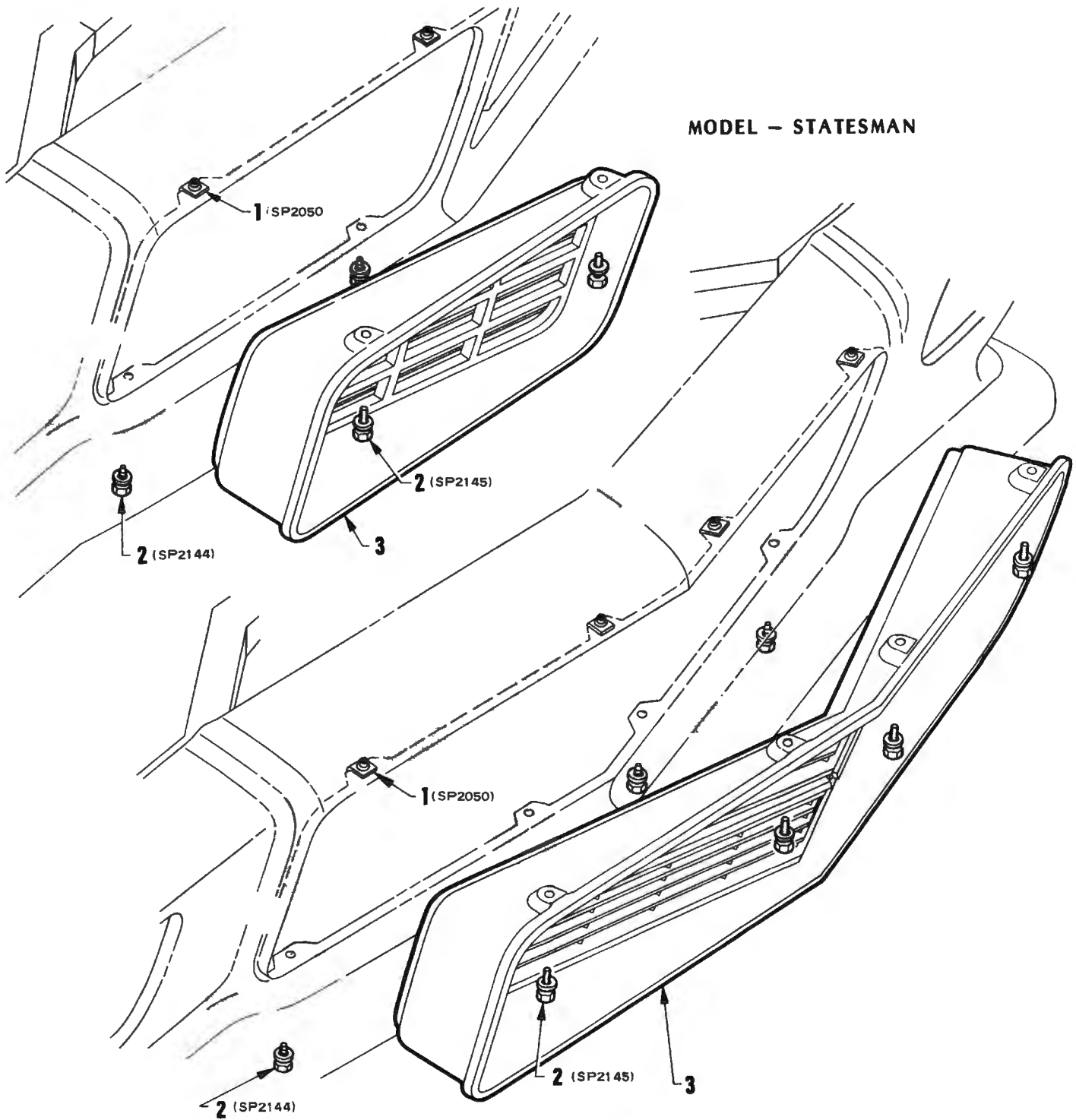
| Illus. Ref. No. | Part Name | Group |
|--------------------|---------------------------------|-------|
| 1. | HOSE—Radiator inlet | 1.159 |
| 2. | CLAMP—Radiator hose | 1.166 |
| 3. | CAP ASSEMBLY—Radiator | 1.203 |
| 4. | RADIATOR ASSEMBLY | 1.219 |
| 5. | SHROUD ASSEMBLY | 1.270 |
| 7. | PIPE ASSEMBLY—Oil cooler | 4.128 |
| 8. | HOSE AND SPRING—Radiator outlet | 1.159 |
| 9. | CONNECTOR—Oil cooler pipe | 4.128 |



FRONT END PANELS

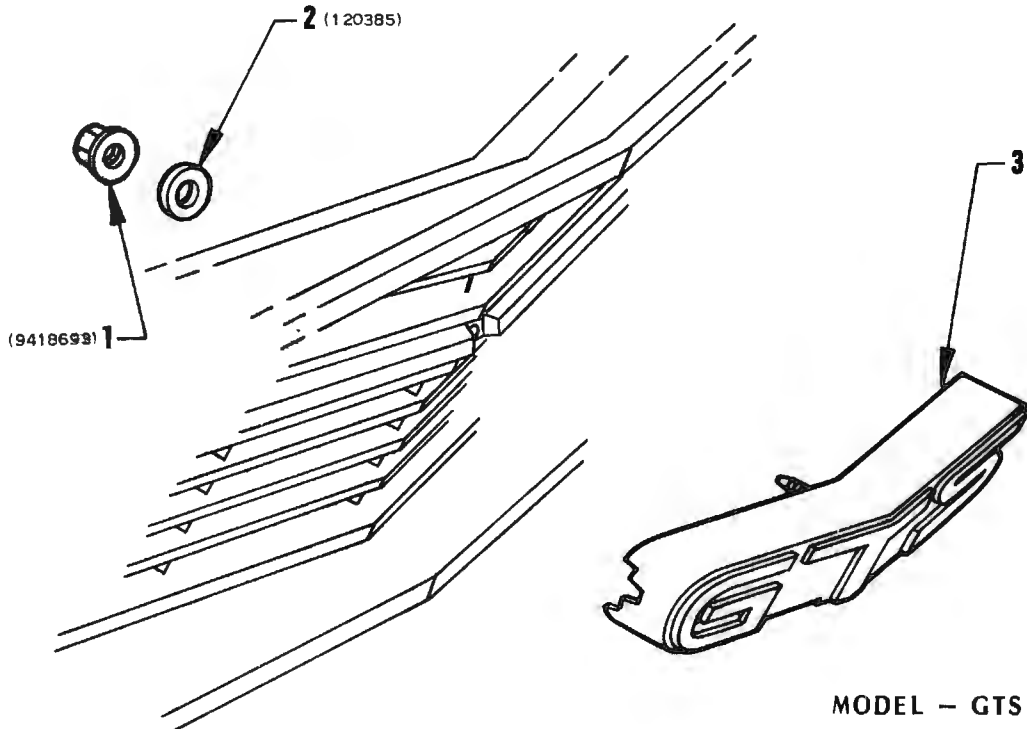
| ILLUS. REF. NO. | PART NAME | GROUP | ILLUS. REF. NO. | PART NAME | GROUP |
|-----------------|--|-------|-----------------|--|-------|
| 1. | NUT – Stamped | 8.921 | 4. | NUT – Hexagon jam..... | 8.916 |
| 2. | BUMPER – Hood to radiator support panel | 8.024 | 5. | PANEL ASSEMBLY – Radiator support..... | 1.270 |
| 3. | BOLT – Hood to radiator support panel bumper | 8.024 | 6. | BOLT – Hexagon head | 8.900 |
| | | | 7. | PANEL – Front end | 1.266 |

MODEL - STATESMAN

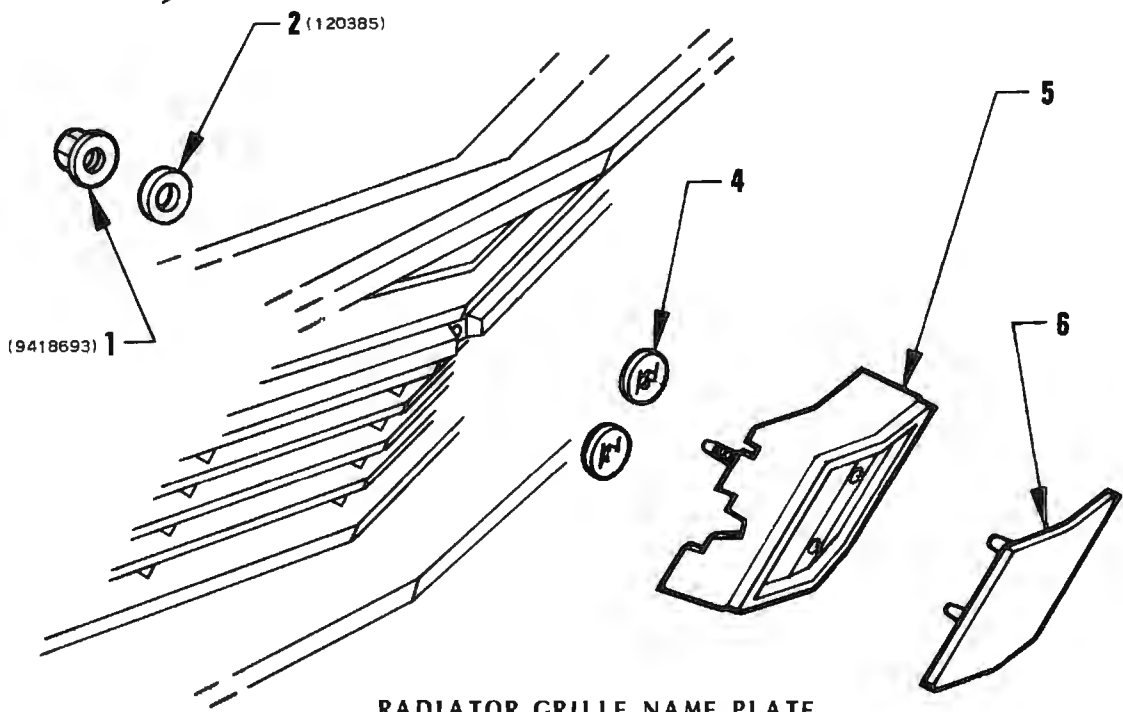


RADIATOR GRILLES
MODELS - BELMONT, KINGSWOOD, PREMIER, MONARO

| ILLUS. REF. NO. | PART NAME | GROUP | ILLUS. REF. NO. | PART NAME | GROUP |
|-----------------|--|-------|-----------------|-----------------------|-------|
| 1. | NUT - Grille to radiator header panel | 1.266 | 3. | GRILLE ASSEMBLY | 1.266 |
| 2. | BOLT - Hexagon head | 8.900 | | | |

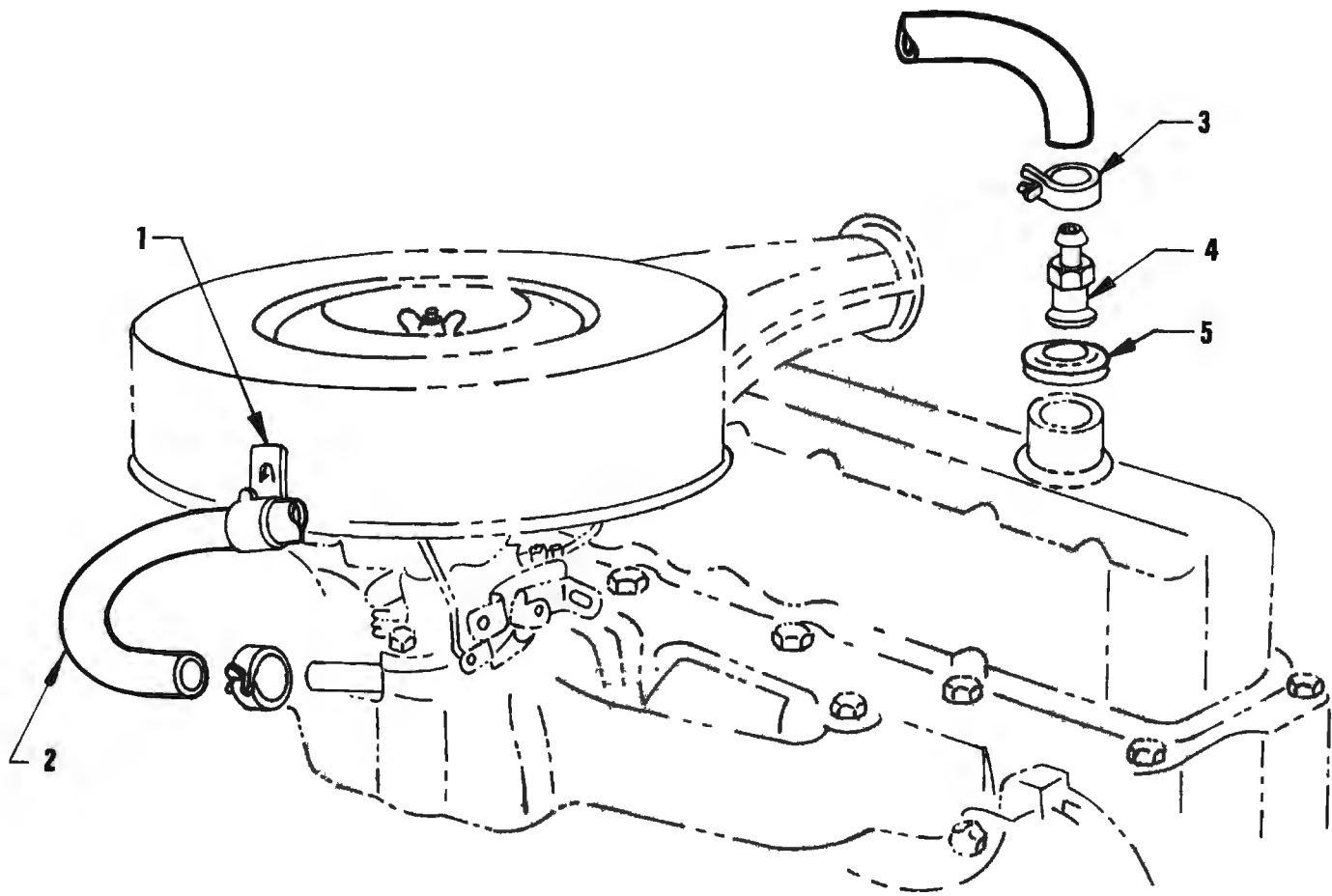


MODEL - GTS



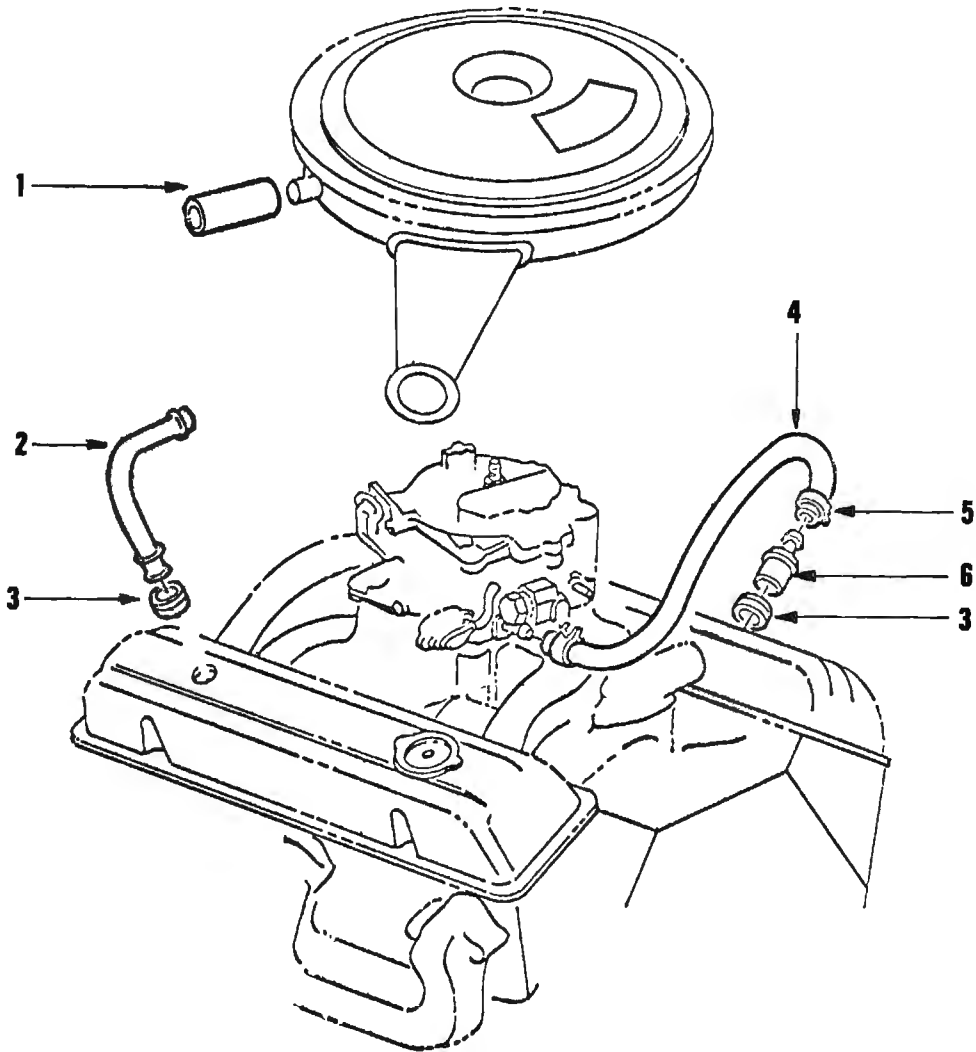
RADIATOR GRILLE NAME PLATE
MODELS - BELMONT, KINGSWOOD, PREMIER, MONARO exc. GTS

| ILLUS. REF. NO. | PART NAME | GROUP | ILLUS. REF. NO. | PART NAME | GROUP |
|-----------------|---------------------|-------|-----------------|------------------------------|-------|
| 1. | NUT - Stamped | 8.921 | 4. | NUT - Emblem insert | 1.265 |
| 2. | WASHER - Flat | 8.929 | 5. | EMBLEM | 1.265 |
| 3. | PLATE - Name | 1.265 | 6. | INSERT - Grille emblem | 1.265 |



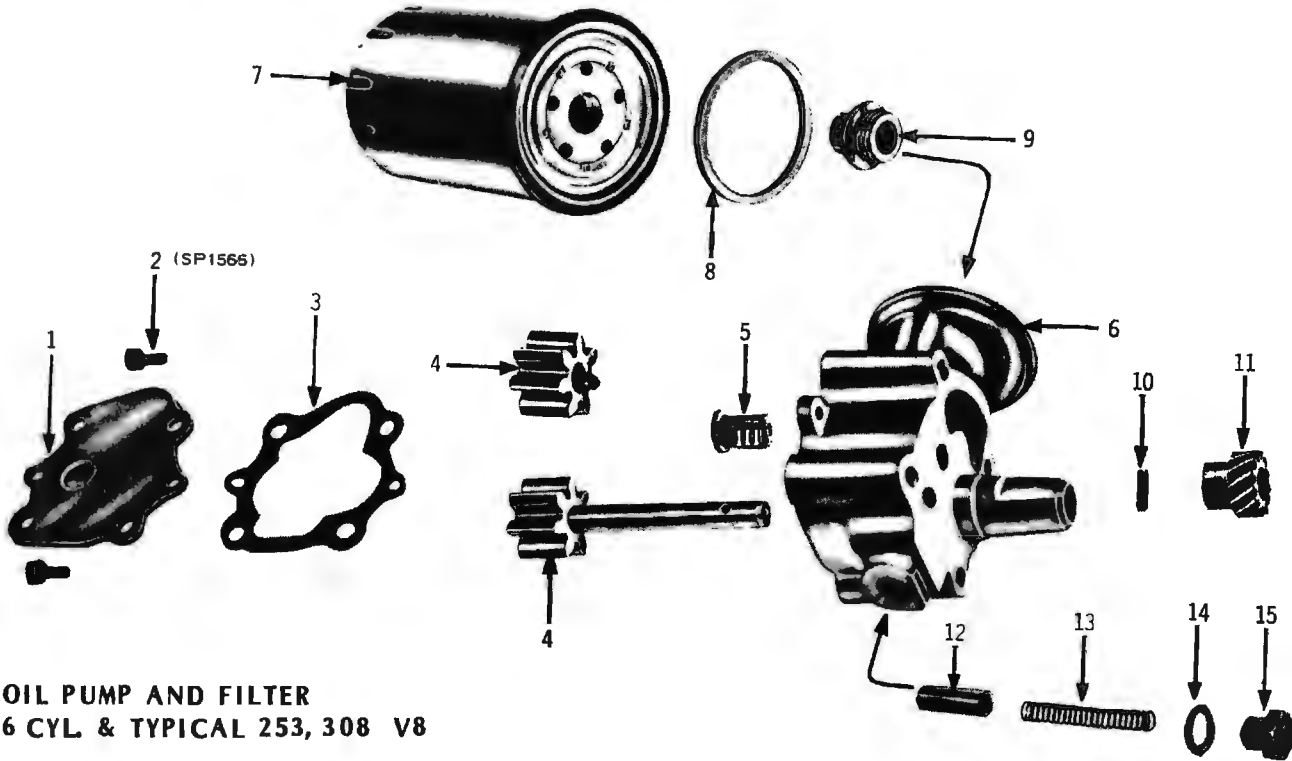
**ENGINE BREATHER
MODELS – 173, 202 ENG.**

| ILLUS. REF. NO. | PART NAME | GROUP | ILLUS. REF. NO. | PART NAME | GROUP |
|--------------------|----------------------------------|-------|--------------------|----------------------|-------|
| 1. | CLIP – Hose to air cleaner | 1.762 | 4. | VALVE ASSEMBLY | 1.762 |
| 2. | HOSE | 1.762 | 5. | GROMMET | 1.745 |
| 3. | CLAMP – Hose | 1.762 | | | |



350 ENGINE – ENGINE BREATHER

| ILLUS. REF. NO. | PART NAME | GROUP | ILLUS. REF. NO. | PART NAME | GROUP |
|--------------------|----------------------------------|-------|--------------------|-----------------------------|-------|
| 1. | HOSE – To air cleaner | 1.762 | 4. | HOSE – To carburettor | 1.762 |
| 2. | PIPE – To air cleaner hose | 1.762 | 5. | CLAMP – Hose | 1.762 |
| 3. | GROMMET | 1.745 | 6. | VALVE ASSEMBLY | 1.762 |

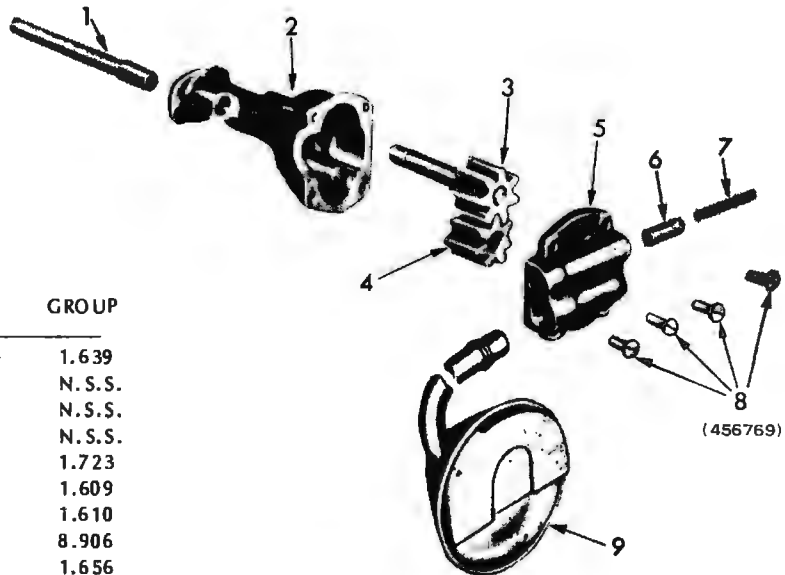


**OIL PUMP AND FILTER
6 CYL & TYPICAL 253, 308 V8**

| ILLUS. REF. NO. | PART NAME | GROUP | ILLUS. REF. NO. | PART NAME | GROUP |
|-----------------|-------------------------------|-------|-----------------|----------------|-------|
| 1. | COVER | 1.723 | 9. | ADAPTOR | 1.835 |
| 2. | BOLT - Hexagon head | 8.900 | 10. | PIN | 1.643 |
| 3. | GASKET | 1.724 | 10/11. | GEAR KIT | 1.643 |
| 4. | GEAR SET | 1.659 | 12. | VALVE | 1.609 |
| 5. | VALVE ASSEMBLY - Bypass | 1.837 | 13. | SPRING | 1.610 |
| 6. | BODY ASSEMBLY | 1.653 | 14. | GASKET | 1.611 |
| 7. | FILTER ASSEMBLY | 1.835 | 15. | PLUG | 1.611 |
| 8. | GASKET | 1.837 | | | |

OIL PUMP - 350 V8

| ILLUS. REF. NO. | PART NAME | GROUP |
|-----------------|--|--------|
| 1. | SHAFT - Distributor to pump intermediate | 1.639 |
| 2. | BODY - Oil pump | N.S.S. |
| 3. | SHAFT & GEAR - Oil pump | N.S.S. |
| 4. | GEAR - Oil pump driven | N.S.S. |
| 5. | COVER - Oil pump | 1.723 |
| 6. | VALVE - Oil pressure regulator | 1.609 |
| 7. | SPRING - Oil pressure regulator | 1.610 |
| 8. | BOLT - Round head | 8.906 |
| 9. | SCREEN ASSEMBLY - Oil pump | 1.656 |



"HQ" PARTS CATALOGUE

| GROUP | DESCRIPTION | MODEL | SIDE | PART No. | QTY. |
|--------------|--|---|------|----------|------|
| 1.050 | CLUTCH ASSEMBLY – Fan | | | | |
| | CLUTCH ASSEMBLY | 253, 308, 350 Eng. Air Cond. | | 3937781 | 1 |
| 1.062 | PULLEY – Water pump, fan and power steering | | | | |
| | PULLEY ASSEMBLY | 173, 202 Eng. | | 2808189 | 1 |
| | PULLEY ASSEMBLY | 253, 308 Eng. exc. Air Cond. | | 7435189 | 1 |
| | PULLEY ASSEMBLY | 253, 308 Eng. Air Cond. | | 2812459 | 1 |
| | PULLEY ASSEMBLY | 350 Eng. exc. Air Cond. | | 3989305 | 1 |
| | PULLEY ASSEMBLY | 350 Eng. Air Cond. | | 3995631 | 1 |
| 1.063 | HUB – Water pump and fan pulley | | | | |
| | HUB | 173, 202, 253, 308 Eng. | | 7449209 | 1 |
| 1.064 | BLADE ASSEMBLY – Fan | | | | |
| | BLADE ASSEMBLY | 173, 202 Eng. exc. Air Cond. | | 2820480 | 1 |
| | BLADE ASSEMBLY | 253, 308, 350 Eng. exc. Air Cond. | | 3927791 | 1 |
| | BLADE ASSEMBLY | 202 Eng. Air Cond. | | 9788982 | 1 |
| | BLADE ASSEMBLY | 253, 308, 350 Eng. Air Cond. | | 3947772 | 1 |
| | SPACER | 173, 202 Eng. | | 2823840 | 1 |
| | SPACER | 253, 308 Eng. exc. Air Cond., H/Duty Rad., Chassis & Cab | | 2823841 | 1 |
| | SPACER | 253 Eng. Chassis & Cab | | 2823839 | 1 |
| | SPACER | 253, 308 Eng. H/Duty Rad. | | 2823839 | 1 |
| | SPACER | 350 Eng. exc. Air Cond. | | 2823839 | 1 |
| 1.066 | BELT – Fan and generator | | | | |
| | BELT | 173, 202 Eng. exc. Air Cond. | | 7427822 | 1 |
| | BELT | 202 Eng. Air Cond. | | 2814845 | 1 |
| | BELT | 253, 308 Eng. exc. Air Cond. | | 7436379 | 1 |
| | BELT | 253, 308 Eng. Air Cond. | | 2812427 | 1 |
| | BELT | 350 Eng. | | 3953786 | 1 |
| 1.069 | PUMP ASSEMBLY – Water | | | | |
| | PUMP ASSEMBLY – 4 1/8" shaft and bearing | 173, 202 Eng. | | 2808367 | 1 |
| | PUMP ASSEMBLY 4 1/2" shaft and bearing | 173, 202 Eng. | | 2823988 | 1 |
| | SEAL KIT – Heater hose connection | 173, 202 Eng. | | 7430865 | 1 |
| | BOLT & WASHER | 173, 202 Eng. | | 7420070 | 2 |
| | PUMP ASSEMBLY | 253, 308 Eng. | | 2824553 | 1 |
| | CAP - Heater hose inlet | 253, 308 Eng. | | 7434745 | 1 |
| | PUMP ASSEMBLY | 350 Eng. | | 6272157 | 1 |
| | STUD | 350 Eng. | | 3883264 | 1 |
| | CONNECTOR – Heater hose hole | 350 Eng. | | 3849848 | 1 |
| 1.071 | REPAIR KIT – Water pump | | | | |
| | REPAIR KIT | 173, 202 Eng. | | 7423694 | 1 |
| | REPAIR KIT | 253, 308 Eng. | | 2811054 | 1 |
| 1.073 | BODY – Water pump | | | | |
| | BODY | 173, 202 Eng. | | 7420066 | 1 |
| | BODY | 253, 308 Eng. | | 2812217 | 1 |
| 1.079 | GASKET – Water pump to block | | | | |
| | GASKET | 173, 202 Eng. | | 7420069 | 1 |
| | GASKET | 253, 308 Eng. | | 7434749 | 1 |
| | GASKET | 350 Eng. | | 3754587 | 2 |
| 1.108 | SHAFT and BEARING ASSEMBLY – Water pump | | | | |
| | SHAFT and BEARING ASSEMBLY – 4 1/8" long | 173, 202 Eng. | | 7420067 | 1 |
| | SHAFT and BEARING – 4 1/2" long | 173, 202, 253, 308 Eng. | | 2823981 | 1 |
| | SHAFT and BEARING ASSEMBLY – 4 7/16" long | 253, 308 Eng. | | 954750 | 1 |

"HQ" PARTS CATALOGUE

| GROUP | DESCRIPTION | MODEL | SIDE | PART No. | QTY. |
|--------------|---|---|------|----------|------|
| 1.109 | ROTOR – Water pump | | | | |
| | ROTOR | 173, 202 Eng. | | 7420068 | 1 |
| | ROTOR | 253, 308 Eng. | | 7438128 | 1 |
| 1.123 | SEAL ASSEMBLY – Water pump | | | | |
| | SEAL ASSEMBLY | 173, 202 Eng. | | 3756933 | 1 |
| | SEAL ASSEMBLY | 253, 308 Eng. | | 1239465 | 1 |
| | SEAT ASSEMBLY – Seal | 253, 308 Eng. | | 1239469 | 1 |
| 1.153 | OUTLET – Cylinder head water | | | | |
| | OUTLET | 173, 202 Eng. | | 7423284 | 1 |
| | OUTLET | 253, 308 Eng. | | 2805347 | 1 |
| | OUTLET | 350 Eng. | | 3877660 | 1 |
| | STUD – Water outlet | 350 Eng. | | 3932368 | 1 |
| 1.154 | GASKET – Cylinder head water outlet | | | | |
| | GASKET | 173, 202 Eng. | | 7401111 | 1 |
| | GASKET | 253, 308 Eng. | | 7434795 | 1 |
| | GASKET | 350 Eng. | | 3701777 | 1 |
| 1.159 | HOSE – Radiator | | | | |
| | HOSE – Inlet | 173, 202 Eng. exc. Air Cond., H/Duty Rad. | | 2812209 | 1 |
| | HOSE – Inlet | 173, 202 Eng. Air Cond., H/Duty Rad. | | 2814777 | 1 |
| | HOSE – Inlet | 253, 308 Eng. | | 2812270 | 1 |
| | HOSE – Inlet | 350 Eng. | | 2818878 | 1 |
| | HOSE & SPRING PACKAGE – Outlet | 173, 202 Eng. | | 2819473 | 1 |
| | HOSE & SPRING PACKAGE – Outlet | 253; 308 Eng. | | 2819474 | 1 |
| | HOSE & SPRING PACKAGE – Outlet | 350 Eng. | | 2819475 | 1 |
| 1.166 | CLAMP – Hose | | | | |
| | CLAMP – Inlet 1.625" diameter | 173, 202 Eng. | | SP1004 | 2 |
| | CLAMP – Inlet 1.88" diameter | 253, 308, 350 Eng. | | SP1572 | 2 |
| | CLAMP – Outlet 1.88" diameter | 173, 202, 253, 308 Eng. | | SP1572 | 2 |
| | CLAMP – Outlet 2.12" diameter | 350 Eng. | | SP1543 | 2 |
| 1.203 | CAP ASSEMBLY – Radiator pressure | | | | |
| | CAP ASSEMBLY | ALL exc. 350 Eng., Air Cond., H/Duty Rad., Chassis & Cab | | 9928799 | 1 |
| | CAP ASSEMBLY | Chassis & Cab | | 9928800 | 1 |
| | CAP ASSEMBLY | 350 Eng. | | 9928800 | 1 |
| | CAP ASSEMBLY | Air Cond., H/Duty rad. | | 9928800 | 1 |
| 1.219 | RADIATOR ASSEMBLY, CORE, SERVICE SET | | | | |
| | RADIATOR ASSEMBLY – Regular | (M) 6 Cyl. Eng. exc. Air Cond., Chassis & Cab | | 2812172 | 1 |
| | RADIATOR ASSEMBLY – Regular | (M) 173 Eng. Chassis & Cab | | 2812172 | 1 |
| | RADIATOR ASSEMBLY – Regular | (M) 202 Eng. Chassis & Cab | | 2812180 | 1 |
| | RADIATOR ASSEMBLY – Heavy duty | (M) 6 Cyl. Eng. | | 2820097 | 1 |
| | RADIATOR ASSEMBLY – Regular | (A) 6 Cyl. Eng. exc. Air Cond. | | 2820095 | 1 |
| | RADIATOR ASSEMBLY – Heavy duty | (A) 6 Cyl. Eng. | | 2820096 | 1 |
| | RADIATOR ASSEMBLY | (M) 6 Cyl. Eng. Air Cond. | | 2820097 | 1 |
| | RADIATOR ASSEMBLY | (A) 6 Cyl. Eng. Air Cond. | | 2820096 | 1 |
| | RADIATOR ASSEMBLY – Regular | (M) 253, 308 Eng. exc. Air Cond., Chassis & Cab | | 2820098 | 1 |
| | RADIATOR ASSEMBLY | (M) 253, 308 Eng. Air Cond., exc. Chassis & Cab | | 2820101 | 1 |
| | RADIATOR ASSEMBLY – Heavy duty | (M) 253, 308 Eng. exc. Chassis & Cab | | 2820101 | 1 |
| | RADIATOR ASSEMBLY | (M) 253 Eng. Chassis & Cab | | 2820101 | 1 |
| | RADIATOR ASSEMBLY – Regular | (A) 253, 308 Eng. exc. Air Cond. | | 2820099 | 1 |
| | RADIATOR ASSEMBLY | (A) 253, 308 Eng. Air Cond. | | 2812161 | 1 |
| | RADIATOR ASSEMBLY – Heavy duty | (A) 253, 308 Eng. | | 2812161 | 1 |

"HQ" PARTS CATALOGUE

| GROUP | DESCRIPTION | MODEL | SIDE | PART No. | QTY. |
|--|--|--|------|--------------------------|------|
| 1.219 RADIATOR ASSEMBLY, CORE, SERVICE SET (contd.) | | | | | |
| | RADIATOR ASSEMBLY | (M) 350 Eng. | | 2818874 | 1 |
| | RADIATOR ASSEMBLY - Regular | (A) 350 Eng. exc. Air Cond. | | 2818875 | 1 |
| | RADIATOR ASSEMBLY | (A) 350 Eng. Air Cond. | | 2818876 | 1 |
| | RADIATOR ASSEMBLY - Heavy duty | (A) 350 Eng. | | 2818876 | 1 |
| | CORE ASSEMBLY - Regular | (M) 6 Cyl. Eng. exc. Air Cond., Chassis & Cab | | 7427765 | 1 |
| | CORE ASSEMBLY - Heavy duty | (M) 6 Cyl. Eng. | | 7438983 | 1 |
| | CORE ASSEMBLY - Regular | (M) 173 Eng. Chassis & Cab | | 7427765 | 1 |
| | CORE ASSEMBLY - Regular | (M) 202 Eng. Chassis & Cab | | | 1 |
| | CORE ASSEMBLY - Regular | (A) 6 Cyl. Eng. exc. Air Cond. | | 2820196 | 1 |
| | CORE ASSEMBLY - Heavy duty | (A) 6 Cyl. Eng. | | 7438983 | 1 |
| | CORE ASSEMBLY | (M) 6 Cyl. Eng. Air Cond. | | 7438983 | 1 |
| | CORE ASSEMBLY | (A) 6 Cyl. Eng. Air Cond. | | 7438983 | 1 |
| | CORE ASSEMBLY - Regular | (M) 253, 308 Eng. exc. Air Cond., Chassis & Cab | | 2820197 | 1 |
| | CORE ASSEMBLY - Heavy duty | (M) 253, 308 Eng. exc. Chassis & Cab | | 7438983 | 1 |
| | CORE ASSEMBLY | (M) 253, 308 Eng. Air Cond. exc. Chassis & Cab | | 7438983 | 1 |
| | CORE ASSEMBLY | (M) 253 Eng. Chassis & Cab | | 7438983 | 1 |
| | CORE ASSEMBLY - Regular | (A) 253, 308 Eng. exc. Air Cond. | | 2820198 | 1 |
| | CORE ASSEMBLY - Heavy duty | (A) 253, 308 Eng. | | 7438983 | 1 |
| | CORE ASSEMBLY | (A) 253, 308 Eng. Air Cond. | | 7438983 | 1 |
| | CORE ASSEMBLY | (M) 350 Eng. | | 2811074 | 1 |
| | CORE ASSEMBLY - Regular | (A) 350 Eng. exc. Air Cond. | | 2811074 | 1 |
| | CORE ASSEMBLY | (A) 350 Eng. Air Cond. | | 2811075 | 1 |
| | CORE ASSEMBLY - Heavy duty | (A) 350 Eng. | | 2811075 | 1 |
| | SERVICE SET - Regular | (M) 6 Cyl. Eng. exc. Air Cond. | | 2820199 | 1 |
| | SERVICE SET - Heavy duty | (M) 6 Cyl. Eng. | | 2818116 | 1 |
| | SERVICE SET | (M) 6 Cyl. Eng. Air Cond. | | 2818116 | 1 |
| | SERVICE SET - Regular | (A) 6 Cyl. Eng. exc. Air Cond. | | 2818115 | 1 |
| | SERVICE SET - Heavy duty | (A) 6 Cyl. Eng. | | 2818117 | 1 |
| | SERVICE SET | (A) 6 Cyl. Eng. Air Cond. | | 2818117 | 1 |
| | SERVICE SET | (M) 253, 308 Eng. | | 2818118 | 1 |
| | SERVICE SET | (A) 253, 308 Eng. | | 2818119 | 1 |
| | SERVICE SET | (M) 350 Eng. | | 2818122 | 1 |
| | SERVICE SET | (A) 350 Eng. | | 2818123 | 1 |
| | COOLER ASSEMBLY - Oil - Regular | (A) 6 Cyl. Eng. exc. Air Cond. | | 2820103 | 1 |
| | COOLER ASSEMBLY - Oil - Heavy Duty | (A) 6 Cyl. Eng. | | 2820102 | 1 |
| | COOLER ASSEMBLY - Oil | (A) 6 Cyl. Eng. Air Cond. | | 2820102 | 1 |
| | COOLER ASSEMBLY - Oil | (A) 8 Cyl. Eng. | | 2820102 | 1 |
| | STRAP & BRACKET KIT - Regular | 6 Cyl. Eng. exc. Air Cond. | | 2818124 | 1 |
| | STRAP & BRACKET KIT - Heavy duty | 6 Cyl. Eng. | | 2818125 | 1 |
| | STRAP & BRACKET KIT | 6 Cyl. Eng. Air Cond. | | 2818125 | 1 |
| | STRAP & BRACKET KIT | 253, 308 Eng. | | 2818125 | 1 |
| | STRAP & BRACKET KIT | 350 Eng. | | 2818126 | 1 |
| | PIPE - Overflow | 6 Cyl. Eng. | | 7427774 | 1 |
| | PIPE - Overflow | 8 Cyl. Eng. | | 7438985 | 1 |
| | SCREW - Radiator drain | ALL | | M37169 | 1 |
| | RADIATOR MOUNTING KIT (special service) | ALL | | M37167 | 1 |
| | SCREW - Radiator to front end panel | ALL | | SP2381 | 4 |
| | GROMMET - Radiator to front end panel | ALL | | SP2382 | 4 |
| | NUT - Radiator to front end panel | ALL | | SP2384 | 4 |
| 1.246 THERMOSTAT ASSEMBLY | | | | | |
| | THERMOSTAT ASSEMBLY | 173, 202, 253, 308 Eng. | | 3749086 | 1 |
| | THERMOSTAT ASSEMBLY | 350 Eng. | | (¹⁸ 3027868) | 1 |
| | THERMOSTAT | 350 Eng. | | (¹⁹ 3749086) | 1 |

Note: (¹⁸ Casting No. 3973469 on the top rear surface of Inlet Manifold.
(¹⁹ Casting No. 6263751 on the top rear surface of Inlet Manifold.

"HQ" PARTS CATALOGUE

| GROUP | DESCRIPTION | MODEL | SIDE | PART No. | QTY. |
|--|--|-------|------|----------|------|
| 1.251 HOUSING – Thermostat | | | | | |
| HOUSING | 173, 202 Eng. | | | 2820816 | 1 |
| 1.252 GASKET – Thermostat housing | | | | | |
| GASKET | 173, 202 Eng. | | | 7429459 | 1 |
| 1.265 EMBLEM, NAME PLATE – Radiator grille | | | | | |
| EMBLEM | Exc. G.T.S., Statesman, Chassis & Cab | | | 2817267 | 1 |
| INSERT – Grille emblem | Exc. G.T.S., Statesman, Chassis & Cab | | | 2817275 | 1 |
| NUT – Emblem insert | Exc. G.T.S., Statesman, Chassis & Cab | | | SP1534 | 2 |
| PLATE – Name | G.T.S. | | | 2816035 | 1 |
| EMBLEM – Wreath | De Ville | | | 2816734 | 1 |
| EMBLEM – Shield | De Ville | | | 2816735 | 1 |
| LETTER 'H' – Glacier white | Chassis & Cab | | | 2823679 | 1 |
| LETTER 'O' – Glacier white | Chassis & Cab | | | 2823680 | 1 |
| LETTER 'L' – Glacier white | Chassis & Cab | | | 2823681 | 1 |
| LETTER 'D' – Glacier white | Chassis & Cab | | | 2823682 | 1 |
| LETTER 'E' – Glacier white | Chassis & Cab | | | 2823683 | 1 |
| LETTER 'N' – Glacier white | Chassis & Cab | | | 2823684 | 1 |
| LETTER 'H' – Seagull grey | Chassis & Cab | | | 2825287 | 1 |
| LETTER 'O' – Seagull grey | Chassis & Cab | | | 2825288 | 1 |
| LETTER 'L' – Seagull grey | Chassis & Cab | | | 2825289 | 1 |
| LETTER 'D' – Seagull grey | Chassis & Cab | | | 2825290 | 1 |
| LETTER 'E' – Seagull grey | Chassis & Cab | | | 2825291 | 1 |
| LETTER 'N' – Seagull grey | Chassis & Cab | | | 2825292 | 1 |
| NUT – Letter to front end panel | Chassis & Cab | | | 9418693 | 12 |
| 1.266 GRILLE – Radiator PANEL – Front end | | | | | |
| GRILLE ASSEMBLY | Belmont, K/wood, Monaro exc. SS, G.T.S., L.S. | | | 2813762 | 1 |
| GRILLE ASSEMBLY | SS | | | 9928882 | 1 |
| GRILLE ASSEMBLY | G.T.S. | | | 2813764 | 1 |
| GRILLE ASSEMBLY | Premier, Monaro L.S. | | | 2813763 | 1 |
| GRILLE ASSEMBLY | Statesman exc. De Ville | LH | | 2813585 | 1 |
| | | RH | | 2813584 | 1 |
| GRILLE ASSEMBLY | De Ville | LH | | 2813587 | 1 |
| | | RH | | 2813586 | 1 |
| GRILLE ASSEMBLY | Chassis & Cab | | | 2823509 | 1 |
| PANEL – Front end | Belmont, K/wood, Monaro, exc. L.S. | | | 2812476 | 1 |
| PANEL – Front end | Premier, Monaro L.S. | | | 2815388 | 1 |
| PANEL – Front end | Statesman | | | 2815493 | 1 |
| PANEL – Front end | Chassis & Cab | | | 2823559 | 1 |
| TRANSFER – Front end panel striping | SS | LH | | 9929297 | 1 |
| | | RH | | 9929298 | 1 |
| BOLT – Radiator to front end panel | Chassis & Cab | | | 440502 | 8 |
| NUT – Grille to radiator header panel | ALL | | | SP2050 | 4-8 |
| 1.270 PANEL ASSEMBLY – Radiator support SHROUD – Radiator fan | | | | | |
| PANEL ASSEMBLY | Belmont, K/wood, Monaro, exc. L.S. | | | 2813733 | 1 |
| PANEL ASSEMBLY | Premier, Monaro L.S., Statesman | | | 2813340 | 1 |
| PANEL ASSEMBLY | Chassis & Cab | | | 2823592 | 1 |
| SHROUD | 253, 308 Eng. Air Cond., H/Duty Rad. exc. Chassis & Cab | | | 2812268 | 1 |
| SHROUD | 253 Eng. Chassis & Cab | | | 2812268 | 1 |
| SHROUD | 350 Eng. | | | 2818877 | 1 |
| NUT – Radiator support 1/8" – 18 'J' type | ALL | | | SP1548 | 8 |
| FINGER GUARD – Fan – Bolt on type | Exc. when shroud fitted | | | 2823991 | 1 |

"HQ" PARTS CATALOGUE

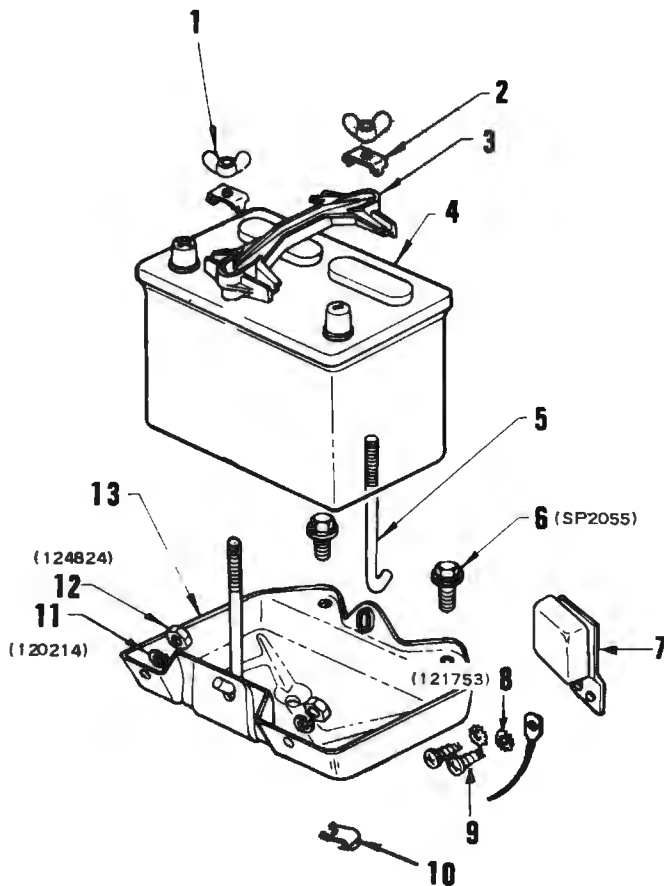
| GROUP | DESCRIPTION | MODEL | SIDE | PART No. | QTY. |
|--------------|---|------------------------------|------|----------|------|
| 1.426 | PAN ASSEMBLY – Oil | | | | |
| | PAN ASSEMBLY | 173, 202 Eng. | | 2809284 | 1 |
| | SCREW & LOCK WASHER ASSEMBLY | 173, 202 Eng. | | SP1533 | 4 |
| | PAN ASSEMBLY | 253, 308 Eng. | | 2809789 | 1 |
| | SCREW | 253, 308 Eng. | | 7436618 | 16 |
| | SCREW | 253, 308 Eng. | | 7436617 | 4 |
| | PAN ASSEMBLY | 350 Eng. | | 3830089 | 1 |
| | SCREW & LOCK WASHER | 350 Eng. | | 3817006 | 14 |
| 1.429 | GASKET UNIT – Oil pan | | | | |
| | GASKET UNIT | 173, 202 Eng. | | 2819472 | 1 |
| | SEAL – Front | 173, 202 Eng. | | 7420001 | 1 |
| | SEAL – Rear | 173, 202 Eng. | | 3788444 | 1 |
| | PACKING – Seal | 173, 202 Eng. | | 2815269 | 2 |
| | GASKET SET | 253, 308 Eng. | | 2811059 | 1 |
| | SEAL – Front | 253, 308 Eng. | | 7434735 | 1 |
| | SEAL – Rear | 253, 308 Eng. | | 7434734 | 1 |
| | GASKET UNIT | 350 Eng. | | 3931597 | 1 |
| | GASKET UNIT – Side | 350 Eng. | | 3931599 | 1 |
| | SEAL – Front | 350 Eng. | | 3887151 | 1 |
| | SEAL – Rear | 350 Eng. | | 3887152 | 1 |
| 1.453 | PLUG – Oil pan drain | | | | |
| | PLUG & GASKET ASSEMBLY | ALL | | 7423483 | 1 |
| | PLUG & GASKET ASSEMBLY – Oversize $\frac{1}{16}$ " – 18 | ALL | | 7433631 | 1 |
| | GASKET – $\frac{1}{16}$ " | ALL | | 7433633 | 1 |
| | GASKET – Drain plug | ALL | | 513975 | 1 |
| 1.516 | CAP, INDICATOR – Oil | | | | |
| | CAP ASSEMBLY – Oil filler | 173, 202, 253, 308 Eng. | | 7422035 | 1 |
| | INDICATOR ASSEMBLY – Oil level | 173, 202 Eng. | | 2809297 | 1 |
| | TUBE – Oil level indicator | 173, 202 Eng. | | 7427625 | 1 |
| | INDICATOR ASSEMBLY – Oil level | 253, 308 Eng. | | 2809794 | 1 |
| | TUBE ASSEMBLY – Oil level indicator | 253, 308 Eng. | | 2811644 | 1 |
| | SEAL – Oil level indicator tube | 253, 308 Eng. | | 274244 | 1 |
| | CAP ASSEMBLY – Oil filler | 350 Eng. | | 3980273 | 1 |
| | INDICATOR ASSEMBLY – Oil level | 350 Eng. | | 3951576 | 1 |
| | TUBE – Oil level indicator | 350 Eng. | | 3876870 | 1 |
| | TUBE – Lower | 350 Eng. | | 3951600 | 1 |
| 1.517 | GASKET – Oil filler cap | | | | |
| | GASKET | 173, 202 Eng. | | 7425615 | 1 |
| 1.609 | VALVE – Oil pressure regulator | | | | |
| | VALVE | 173, 202, 350 Eng. | | 3702366 | 1 |
| | VALVE | 253, 308 Eng. | | 1199080 | 1 |
| | CAP – Valve | 253, 308 Eng. | | 1194360 | 1 |
| | GASKET – Valve cap | 253, 308 Eng. | | 7435833 | 1 |
| 1.610 | SPRING – Oil pressure regulator | | | | |
| | SPRING | 173, 202 Eng. | | 3837115 | 1 |
| | SPRING | 253, 308 Eng. | | 7439491 | 1 |
| | SPRING | 350 Eng. | | 3814903 | 1 |
| 1.611 | PLUG – Oil pressure regulator spring | | | | |
| | PLUG | 173, 202 Eng. | | 7426909 | 1 |
| | GASKET | 173, 202 Eng. | | 7417490 | 1 |
| 1.639 | SHAFT, RETAINER – Oil pump shaft | | | | |
| | SHAFT – Distributor to oil pump intermediate | 350 Eng. | | 3998287 | 1 |
| | RETAINER – Intermediate shaft | 350 Eng. | | 3764554 | 1 |

"HQ" PARTS CATALOGUE

| GROUP | DESCRIPTION | MODEL | SIDE | PART No. | QTY. |
|--------------|---|------------------------------|------|----------|------|
| 1.643 | GEAR KIT – Oil pump drive | | | | |
| | GEAR KIT | 173, 202 Eng. | | 7423613 | 1 |
| | GEAR | 253, 308 Eng. | | 7434732 | 1 |
| | PIN – Slotted spring $\frac{3}{16}$ " x $\frac{3}{4}$ " | 173, 202, 253, 308 Eng. | | 454512 | 1 |
| 1.652 | PUMP ASSEMBLY – Oil | | | | |
| | PUMP ASSEMBLY | 173, 202 Eng. | | 7449396 | 1 |
| | PUMP ASSEMBLY | 253, 308 Eng. | | 2815887 | 1 |
| | PUMP ASSEMBLY | 350 Eng. | | 3821979 | 1 |
| | PIN – Dowel | 350 Eng. | | 1814997 | 2 |
| 1.653 | BODY ASSEMBLY – Oil pump | | | | |
| | BODY ASSEMBLY | 173, 202 Eng. | | 7449397 | 1 |
| | BODY ASSEMBLY | 253, 308 Eng. | | 2815888 | 1 |
| | BUSH – Drive shaft | 253, 308 Eng. | | 7434946 | 1 |
| 1.654 | GASKET – Oil pump to block | | | | |
| | GASKET | 173, 202 Eng. | | 7420017 | 1 |
| | GASKET | 253, 308 Eng. | | 7434848 | 1 |
| 1.656 | SCREEN ASSEMBLY – Oil pump with pipe | | | | |
| | SCREEN ASSEMBLY | 173, 202 Eng. | | 2809294 | 1 |
| | SCREEN ASSEMBLY | 253, 308 Eng. | | 2809791 | 1 |
| | GASKET – Suction pipe flange | 253, 308 Eng. | | 7434859 | 1 |
| | SCREEN ASSEMBLY | 350 Eng. | | 3754942 | 1 |
| | BOLT | 350 Eng. | | 3892678 | 1 |
| 1.658 | SHAFT – Oil pump driven gear | | | | |
| | SHAFT | 173, 202 Eng. | | 7420011 | 1 |
| | SHAFT – Driven gear | 253, 308 Eng. | | 3790864 | 1 |
| | SHAFT – Drive | 253, 308 Eng. | | 7434740 | 1 |
| 1.659 | GEAR SET – Oil pump | | | | |
| | GEAR SET | 173, 202 Eng. | | 2815102 | 1 |
| | GEAR SET | 253, 308 Eng. | | 2811680 | 1 |
| | GEAR and SHAFT ASSEMBLY | 253, 308 Eng. | | 7434755 | 1 |
| | GEAR – Primary | 253, 308 Eng. | | 7435396 | 1 |
| | GEAR – Secondary | 253, 308 Eng. | | 7435396 | 1 |
| 1.723 | COVER KIT, COVER – Oil pump | | | | |
| | COVER | 173, 202 Eng. | | 7426937 | 1 |
| | BOLT & LOCK WASHER ASSEMBLY | 173, 202 Eng. | | SP1566 | 2 |
| | COVER KIT | 253, 308 Eng. | | 2811679 | 1 |
| | COVER ASSEMBLY | 253, 308 Eng. | | 7434932 | 1 |
| | PLUG – Oil pump cover | 253, 308 Eng. | | 9421744 | 1 |
| | COVER ASSEMBLY | 350 Eng. | | 3821981 | 1 |
| 1.724 | GASKET – Oil pump cover | | | | |
| | GASKET | 173, 202 Eng. | | 7420016 | 1 |
| | GASKET | 253, 308 Eng. | | 7434849 | 1 |
| 1.745 | GROMMET – Valve cover to block vent | | | | |
| | GROMMET | 173, 202 Eng. | | 9928699 | 1 |
| | GROMMET | 253, 308 Eng. | | 7439585 | 1 |
| | GROMMET | 350 Eng. | LH | 3989350 | 1 |
| | | | RH | 3989348 | 1 |

"HQ" PARTS CATALOGUE

| GROUP | DESCRIPTION | MODEL | SIDE | PART No. | QTY. |
|--------------|--|------------------------------|------|----------|------|
| 1.762 | VALVE, HOSE, ADAPTOR – Crankcase ventilator | | | | |
| | VALVE ASSEMBLY | 173, 202 Eng. | | 1533669 | 1 |
| | HOSE | 173, 202 Eng. | | 7438562 | 1 |
| | HOSE | 202 Eng. Air Cond. | | 7439492 | 1 |
| | CLIP – Hose to air cleaner | 173, 202 Eng. | | SP1868 | 1 |
| | CLAMP – Hose | ALL | | 3829058 | 2-4 |
| | ADAPTOR (use with Rocker Cover 7427335) | 173, 202 Eng. | | 7423902 | 1 |
| | TEE – Air bleed valve | 202 Eng. Air Cond. | | 7439493 | 1 |
| | VALVE ASSEMBLY – Air bleed | 202 Eng. Air Cond. | | 7015110 | 1 |
| | TUBE – Vacuum hose fitting in manifold | 173, 202 Eng. | | 7433250 | 1 |
| | VALVE ASSEMBLY | 253, 308 Eng. | | 6421976 | 1 |
| | HOSE | 253 Eng. | | 7439584 | 1 |
| | HOSE | 308 Eng. | | 2819770 | 1 |
| | VALVE ASSEMBLY | 350 Eng. | | 6484541 | 1 |
| | HOSE – To air cleaner | 350 Eng. | | 3911029 | 1 |
| | HOSE – To carburettor | 350 Eng. | | 3981058 | 1 |
| | PIPE – Vent hose to air cleaner | 350 Eng. | | 3970072 | 1 |
| | CLAMP – Hose, air cleaner to rocker cover | 350 Eng. | | 3829058 | 1 |
| | PIPE – To air cleaner hose | 350 Eng. | | 3970072 | 1 |
| 1.803 | SWITCH ASSEMBLY – Oil pressure tell-tale SENDER UNIT – Oil pressure – Engine unit | | | | |
| | SWITCH ASSEMBLY – Warning lamp equipment | 173, 202, 253, 308 Eng. | | 7441302 | 1 |
| | SWITCH ASSEMBLY – Warning lamp equipment | 350 Eng. | | 3815936 | 1 |
| | SENDER UNIT – Engine, gauge, equipment | ALL | | 7429181 | 1 |
| | ADAPTOR – Sender unit, gauge, equipment | 350 Eng. | | 7448744 | 1 |
| 1.835 | FILTER ASSEMBLY – Oil | | | | |
| | FILTER ASSEMBLY | 173, 202, 253, 308 Eng. | | PF10 | 1 |
| | ADAPTOR | 173, 202 Eng. | | 7421853 | 1 |
| | ADAPTOR | 253, 308 Eng. | | 7434874 | 1 |
| | FILTER ASSEMBLY | 350 Eng. | | PF29 | 1 |
| | ADAPTOR | 350 Eng. | | 3952301 | 1 |
| | BOLT – Adaptor | 350 Eng. | | 3951644 | 2 |
| 1.837 | VALVE ASSEMBLY, GASKET – Oil filter | | | | |
| | VALVE ASSEMBLY – By-pass | 173, 202, 253, 308 Eng. | | 5575416 | 1 |
| | GASKET | 173, 202, 253, 308 Eng. | | 5574397 | 1 |
| 1.928 | PLUG – Cylinder block oil gallery | | | | |
| | PLUG – Cylinder block oil gallery, front | 173, 202, 253, 308 Eng. | | 7419064 | 1-3 |
| | PLUG – Cylinder block oil gallery, front | 350 Eng. | | 3701638 | 3 |
| | PLUG – Oil pressure cover hole | 350 Eng. | | 3701638 | 3 |

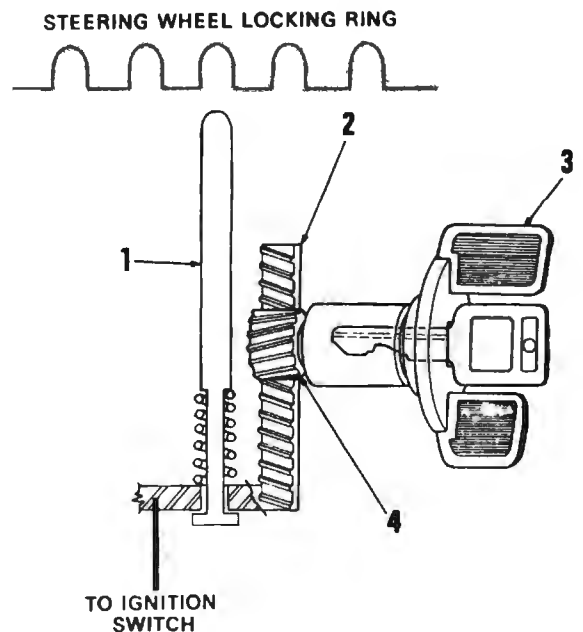


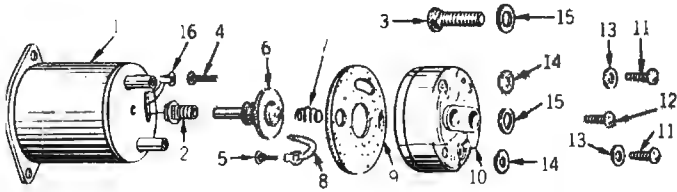
BATTERY, RETAINER and CABLES

| ILLUS. REF. NO. | PART NAME | GROUP |
|-----------------|---|-------|
| 1. | NUT - Wing | 2.333 |
| 2. | PLATE - Retainer lock | 2.333 |
| 3. | RETAINER | 2.333 |
| 4. | BATTERY | 2.332 |
| 5. | BOLT - Mounting | 2.333 |
| 6. | BOLT - Hexagon head | 8.900 |
| 7. | REGULATOR ASSEMBLY | 2.500 |
| 8. | WASHER - Shakeproof | 8.932 |
| 9. | SCREW - Regulator to LH radiator side support | 2.500 |
| 10. | NUT | 2.333 |
| 11. | WASHER - Lock | 8.931 |
| 12. | NUT - Hexagon jam | 8.916 |
| 13. | SUPPORT | 2.333 |

IGNITION LOCK

| ILLUS. REF. NO. | PART NAME | GROUP |
|-----------------|---|-------|
| 1. | BOLT & SPRING ASSY. - Steering lock | 2.188 |
| 2. | RACK & ROD | 2.195 |
| 3. | LOCK ASSY. - Ignition | 2.188 |
| 4. | SECTOR | 2.195 |

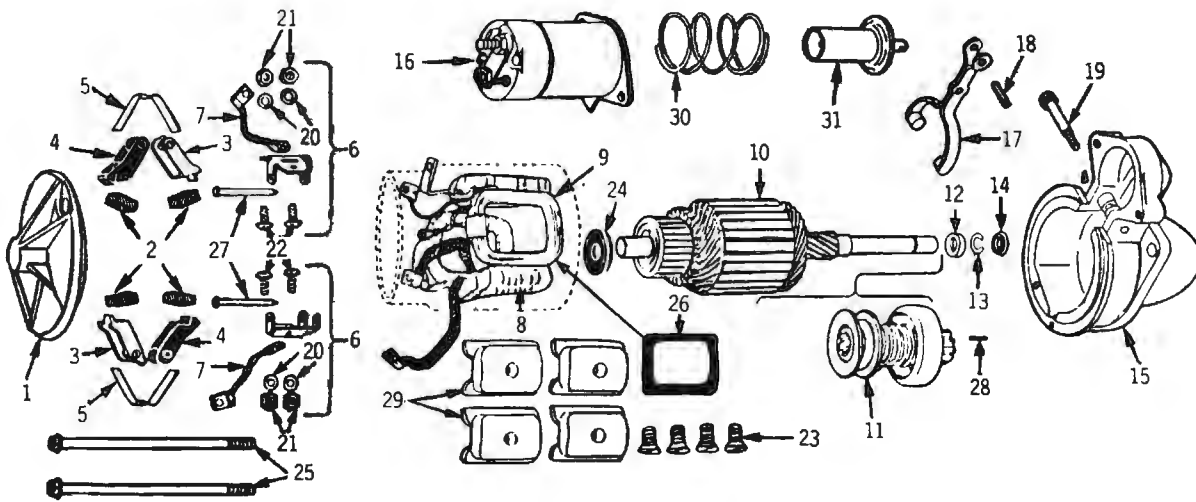




**SOLENOID SWITCH
(Delco-Remy)**

| Illus. Ref. No. | Part Name | Group |
|-----------------|------------------------|--------|
| 1. | CASE AND COIL | N.S.S. |
| 2. | STUD—Motor terminal | 2.102 |
| 3. | STUD—Battery terminal | 2.102 |
| 4. | STUD—Switch terminal | 2.102 |
| 5. | STUD—Resistor terminal | 2.102 |
| 6. | CONTACT ASSEMBLY | 2.102 |
| 7. | SPRING—Contact return | 2.102 |
| 8. | BLADE—Contact | 2.102 |

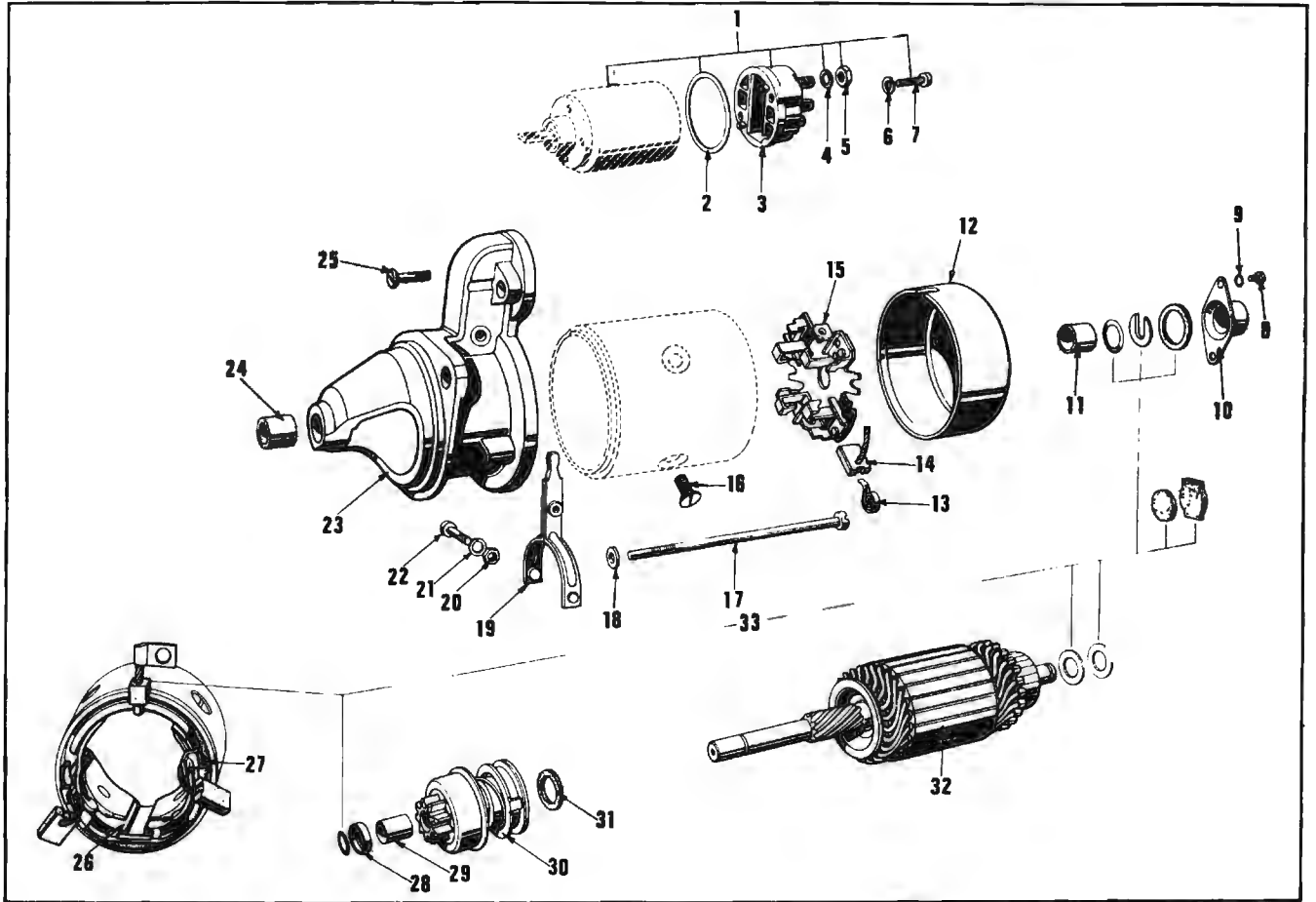
| Illus. Ref. No. | Part Name | Group |
|-----------------|-------------------------------|-------|
| 9. | GASKET—Switch cover | 2.102 |
| 10. | COVER—Switch .. | 2.102 |
| 11. | SCREW—Cover attaching | 2.102 |
| 12. | SCREW—Field lead attaching | 2.102 |
| 13. | WASHER—Cover attaching screw | 2.102 |
| 14. | WASHER—Switch terminal, plain | 2.102 |
| 15. | WASHER—Plain terminal | 2.102 |
| 16. | CLIP—Terminal | 2.102 |



STARTER MOTOR (Delco-Remy)

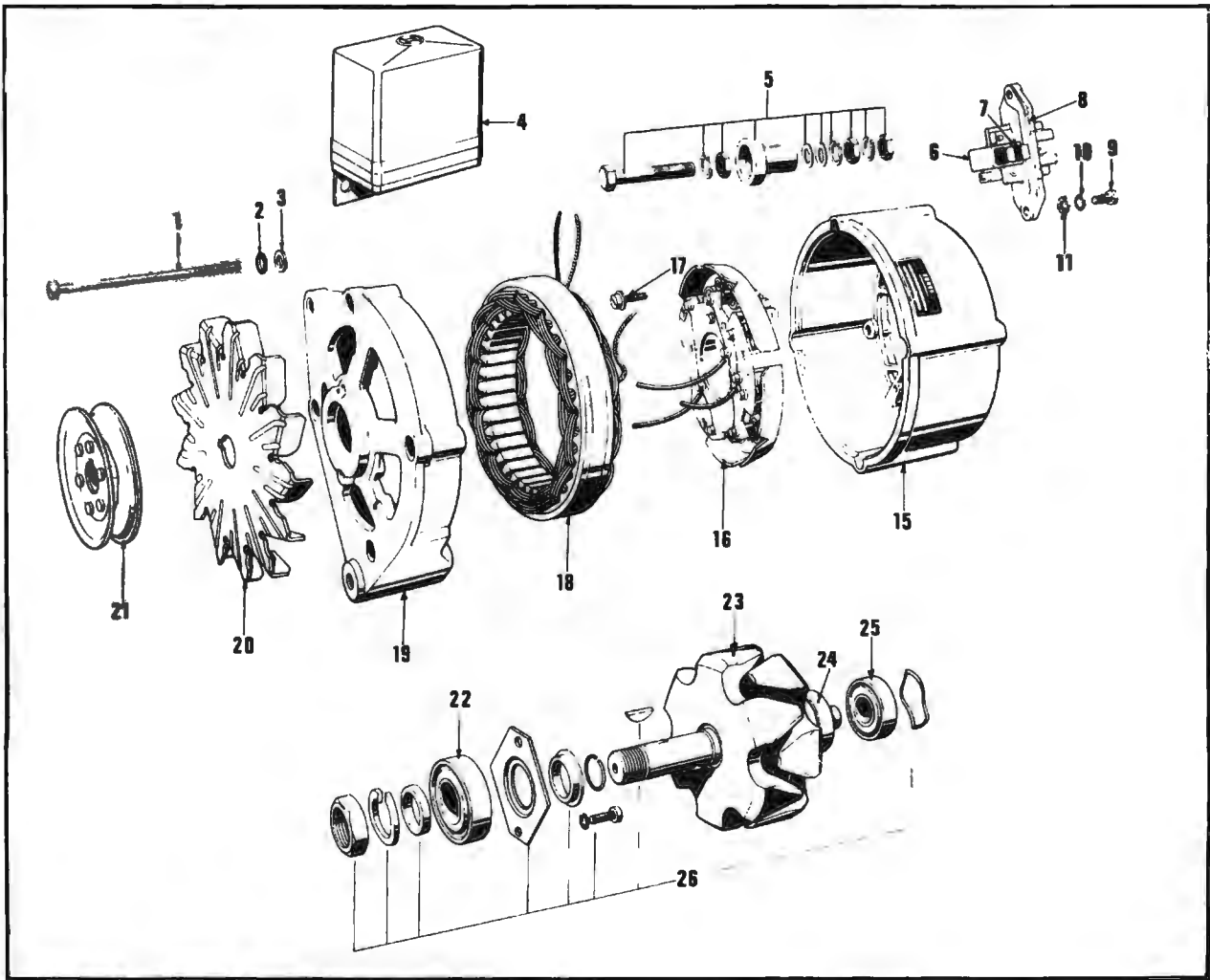
| Illus. Ref. No. | Part Name | Group |
|-----------------|--------------------------|-------|
| 1. | FRAME ASSEMBLY | 2.067 |
| 2. | BRUSH | 2.051 |
| 3. | HOLDER—Ground brush | 2.052 |
| 4. | HOLDER—Insulator brush | 2.052 |
| 5. | SPRING—Brush | 2.053 |
| 6. | SUPPORT KIT—Brush holder | 2.052 |
| 7. | LEAD—Brush | 2.055 |
| 8. | COIL ASSEMBLY—Field | 2.049 |
| 9. | COIL—Shunt | 2.049 |
| 10. | ARMATURE | 2.043 |
| 11. | DRIVE ASSEMBLY | 2.086 |
| 12. | COLLAR—Stop | 2.096 |
| 13. | RING—Stop collar | 2.096 |
| 14. | COLLAR—Thrust | 2.096 |
| 15. | HOUSING | 2.085 |
| 16. | SWITCH—Solenoid | 2.100 |

| Illus. Ref. No. | Part Name | Group |
|-----------------|-----------------------------|-------|
| 17. | LEVER ASSEMBLY—Shift | 2.108 |
| 18. | PIN—Shift lever | 2.108 |
| 19. | STUD—Shift lever | 2.108 |
| 20. | LOCK WASHER—Attaching screw | 2.052 |
| 21. | NUT | 2.052 |
| 22. | SCREW—Attaching | 2.052 |
| 23. | SCREW—Pole shoe | 2.077 |
| 24. | WASHER—Brake thrust | 2.063 |
| 25. | BOLT—Through | 2.077 |
| 26. | INSULATOR—Field coil | 2.049 |
| 27. | PIN—Brush holder hinge | 2.052 |
| 28. | PIN—Dowel | 2.054 |
| 29. | SHOE—Pole | 2.047 |
| 30. | SPRING—Plunger return | 2.102 |
| 31. | PLUNGER | 2.102 |



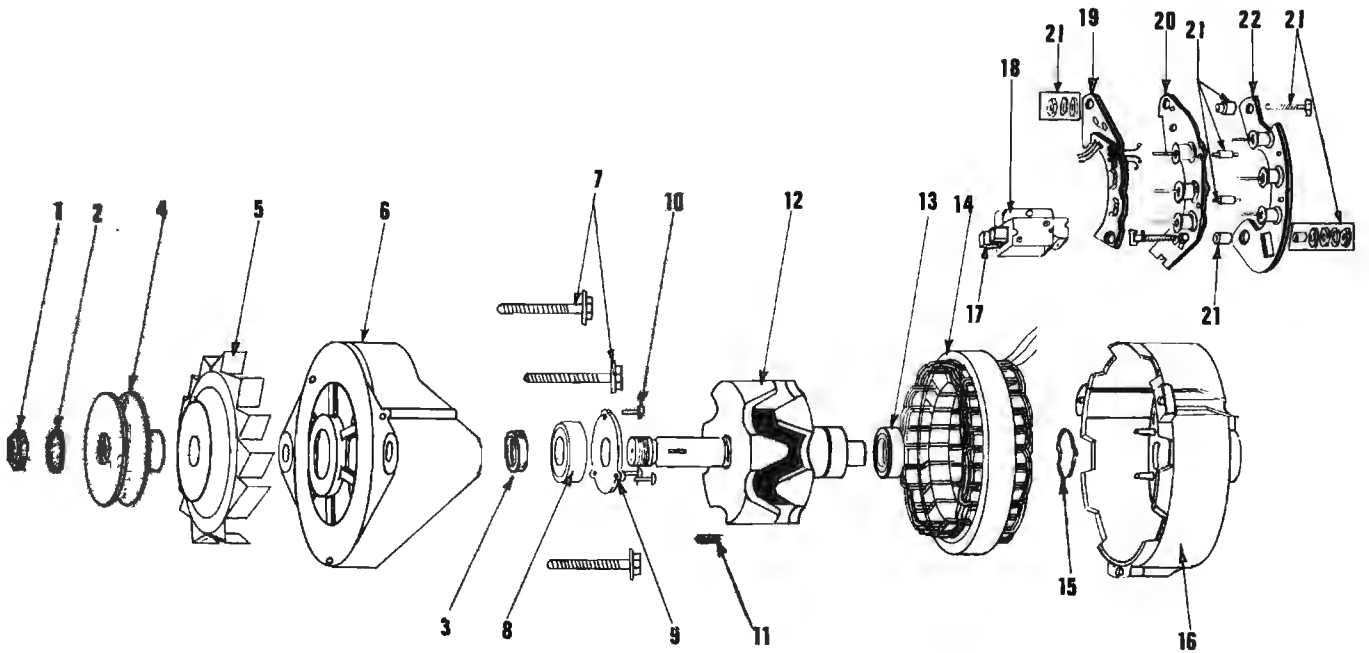
STARTER MOTOR – (Bosch)

| ILLUS. REF. NO. | PART NAME | GROUP | ILLUS. REF. NO. | PART NAME | GROUP |
|-----------------|--------------------------------------|-------|-----------------|---|-------|
| 1. | SWITCH – Solenoid | 2.100 | 17. | BOLT – Through | 2.077 |
| 2. | GASKET – Solenoid | 2.102 | 18. | WASHER – Through bolt | 2.077 |
| 3. | COVER – Solenoid switch | 2.102 | 19. | LEVER | 2.108 |
| 4. | WASHER – Contact bolt | 2.102 | 20. | NUT | 2.108 |
| 5. | NUT – Contact bolt | 2.102 | 21. | WASHER | 2.108 |
| 6. | WASHER – Cover attaching screw | 2.102 | 22. | BOLT | 2.108 |
| 7. | SCREW – Cover attaching | 2.102 | 23. | HOUSING | 2.085 |
| 8. | SCREW – Bearing cap | 2.063 | 24. | BUSHING – Drive end | 2.083 |
| 9. | WASHER – Bearing cap screw | 2.063 | 25. | SCREW – Solenoid switch attaching | 2.100 |
| 10. | CAP – Bearing | 2.063 | 26. | COIL ASSEMBLY | 2.049 |
| 11. | BUSHING – Commutator end cover | 2.083 | 27. | INSULATOR | 2.049 |
| 12. | COVER – Commutator end | 2.070 | 28. | RING – Stop | 2.096 |
| 13. | SPRING – Brush | 2.053 | 29. | BUSHING – Drive | 2.087 |
| 14. | BRUSH SET | 2.051 | 30. | DRIVE ASSEMBLY | 2.086 |
| 15. | PLATE – Brush holder | 2.052 | 31. | BUFFER – Drive | 2.087 |
| 16. | SCREW – Pole shoe | 2.077 | 32. | ARMATURE | 2.043 |
| | | | 33. | SUNDRY PARTS SET | 2.080 |



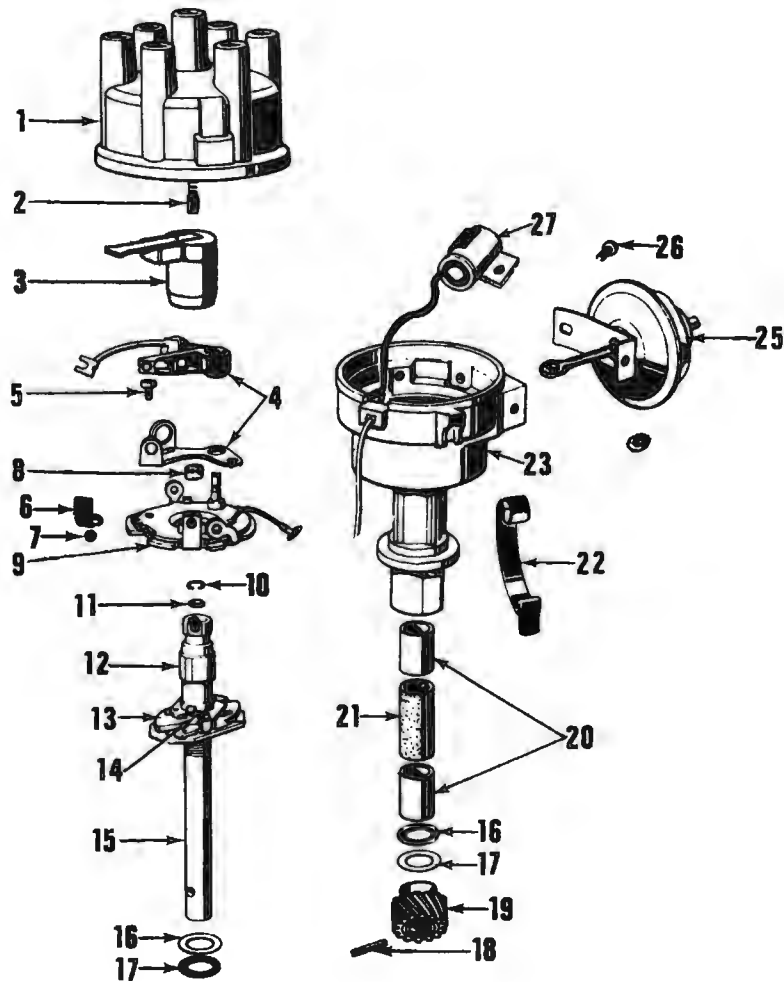
GENERATOR – (Bosch)

| ILLUS. REF. NO. | PART NAME | GROUP | ILLUS. REF. NO. | PART NAME | GROUP |
|-----------------|----------------------------|-------|-----------------|--|-------|
| 1. | BOLT – Through | 2.316 | 15. | HOUSING | 2.297 |
| 2. | WASHER – Lock | 2.316 | 16. | RECTIFIER ASSEMBLY | 2.289 |
| 3. | WASHER – Plain | 2.316 | 17. | BOLT | 2.289 |
| 4. | REGULATOR ASSEMBLY | 2.500 | 18. | STATOR | 2.310 |
| 5. | SUNDRY PARTS SET | 2.315 | 19. | PLATE – Drive end | 2.305 |
| 6. | SPRING – Brush | 2.286 | 20. | PULLEY ASSEMBLY | 2.274 |
| 7. | BRUSH SET | 2.285 | 21. | FAN – Generator | 2.274 |
| 8. | BRUSH PLATE ASSEMBLY | 2.291 | 22. | BEARING | 2.306 |
| 9. | BOLT | 2.291 | 23. | ROTOR | 2.279 |
| 10. | WASHER – Lock | 2.291 | 24. | SLIP – Ring | 2.279 |
| 11. | WASHER – Flat | 2.291 | 25. | BEARING | 2.298 |
| | | | 26. | SUNDRY PARTS SET – Bearing cover plate | 2.307 |



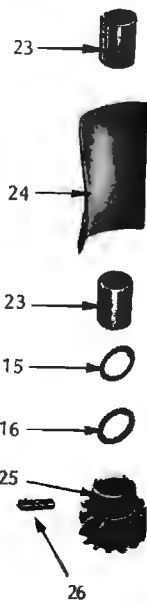
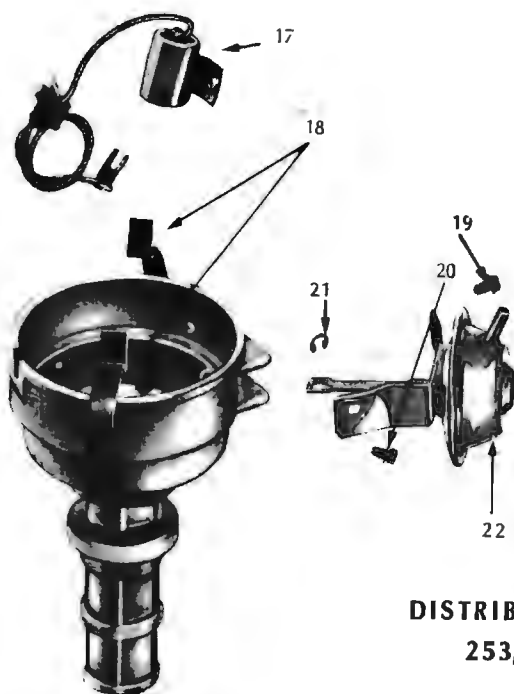
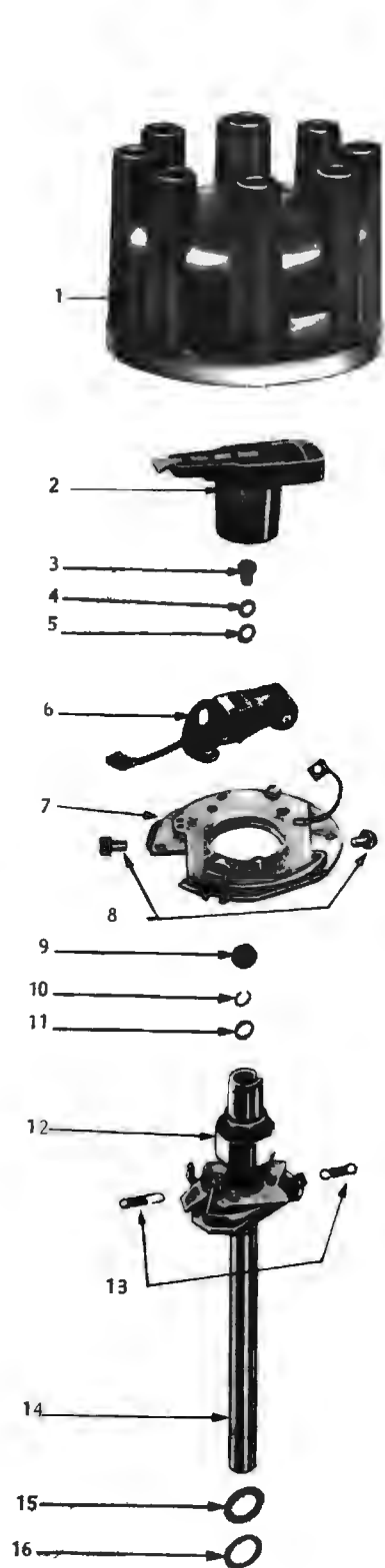
GENERATOR – (Lucas)

| ILLUS. REF. NO. | PART NAME | GROUP | ILLUS. REF. NO. | PART NAME | GROUP |
|-----------------|--------------------------------------|-------|-----------------|---|-------|
| 1. | NUT – Rotor shaft | 2.280 | 12. | ROTOR | 2.279 |
| 2. | WASHER – Lock | 2.280 | 13. | BEARING – Slip ring end | 2.298 |
| 3. | COLLAR – Distance | 2.307 | 14. | STATOR | 2.310 |
| 4. | PULLEY ASSEMBLY | 2.274 | 15. | WASHER – Wave | 2.297 |
| 5. | FAN – Generator | 2.274 | 16. | PLATE – Slip ring end | 2.297 |
| 6. | PLATE – Drive end | 2.305 | 17. | BRUSH SET | 2.285 |
| 7. | BOLT – Through | 2.316 | 18. | BRUSH BOX MOULDING | 2.291 |
| 8. | BEARING – Drive end | 2.307 | 19. | PLATE – Field terminal with diodes | 2.289 |
| 9. | PLATE – Bearing retainer | 2.307 | 20. | SINK – Positive heat with diodes | 2.289 |
| 10. | SCREW – Bearing retainer plate | 2.307 | 21. | SUNDRY PARTS SET – Heat sink mounting | 2.289 |
| 11. | KEY – Woodruff | 2.279 | 22. | SINK – Negative heat with diodes | 2.289 |



**DISTRIBUTOR (Bosch)
172, 202 Engine**

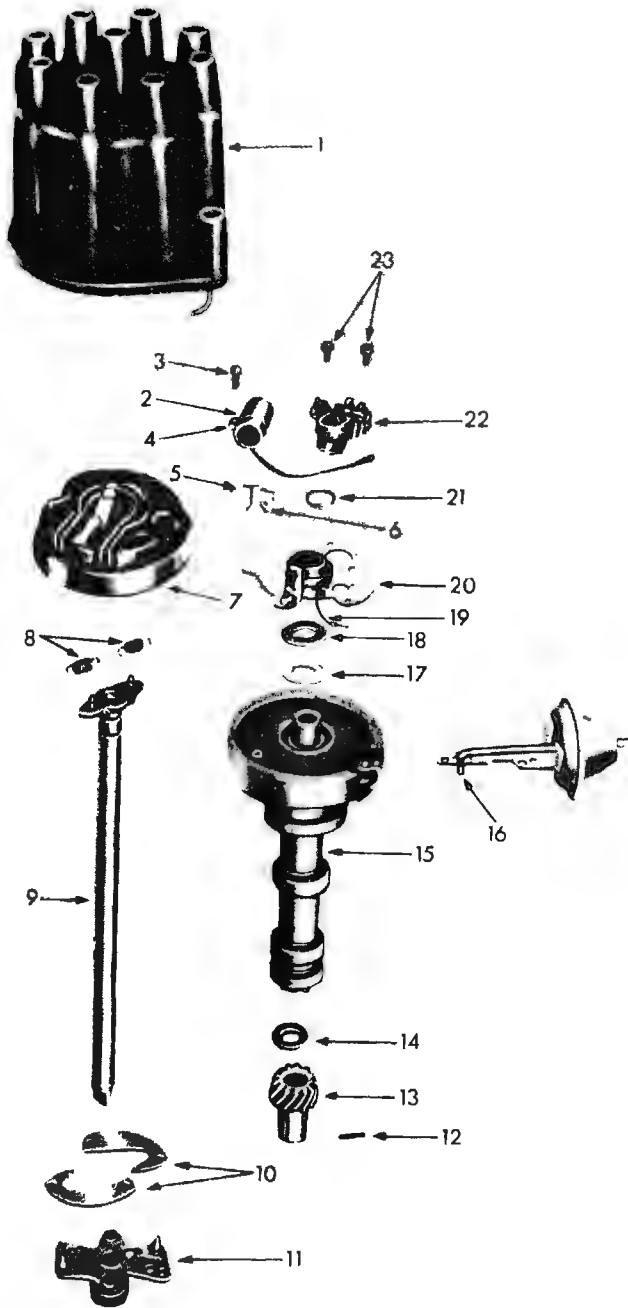
| ILLUS. REF. NO. | PART NAME | GROUP | ILLUS. REF. NO. | PART NAME | GROUP |
|-----------------|--------------------------------|-------|-----------------|--|--------|
| 1. | CAP | 2.367 | 15. | SHAFT | 2.372 |
| 2. | BRUSH - Cap | 2.370 | 16. | SHIM - Thrust upper & lower | 2.372 |
| 3. | ROTOR | 2.382 | 17. | WASHER - Thrust, fibre, upper & lower .. | 2.372 |
| 4. | CONTACT SET | 2.384 | 18. | PIN - slotted spring | 2.379 |
| 5. | SCREW - Contact breaker | 2.387 | 19/18 | GEAR PACKAGE | 2.374 |
| 6. | RETAINER - Plate ball | 2.385 | 20. | BUSHING - Upper & lower | 2.362 |
| 7. | BALL - Plate retaining | 2.385 | 21. | FELT - Lubricating | 2.362 |
| 8. | WICK | 2.364 | 22. | SPRING | 2.368 |
| 9. | PLATE & SUPPORT ASSEMBLY | 2.385 | 23. | HOUSING | N.S.S. |
| 10. | CIRCLIP - Cam retainer | 2.381 | 24. | SCREW & WASHER - Attaching | 2.410 |
| 11. | WASHER - Cam retainer | 2.381 | 25. | VACUUM CONTROL ASSY. | 2.410 |
| 12. | CAM | 2.381 | 26. | SCREW & WASHER - Attaching | 2.393 |
| 13. | WEIGHT | 2.388 | 27. | CONDENSER | 2.393 |
| 14. | SPRING | 2.389 | | | |



**DISTRIBUTOR – (Bosch)
253,308 Engine**

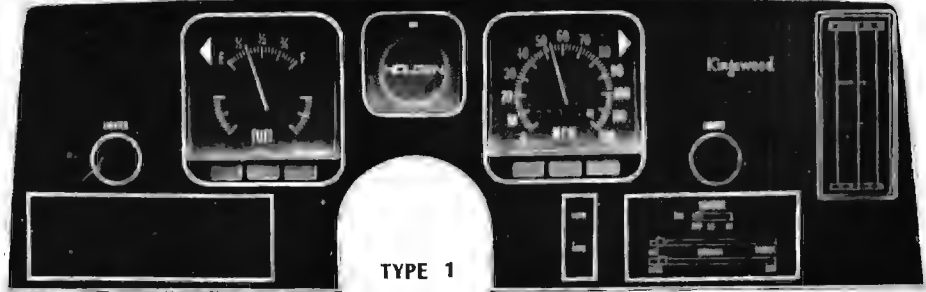
| ILLUS. REF. NO. | PART NAME | GROUP |
|--------------------|-------------------------------|-------|
| 1. | CAP | 2.367 |
| 2. | ROTOR | 2.382 |
| 3. | SCREW – Contact breaker | 2.387 |
| 4. | WASHER – Screw lock | 2.387 |
| 5. | WASHER – Plain | 2.387 |
| 6. | CONTACT SET | 2.384 |
| 7. | PLATE and SUPPORT ASSY. | 2.385 |
| 8. | SCREW – Plate support | 2.385 |
| 9. | WICK | 2.364 |
| 10. | CIRCLIP – Cam retainer | 2.381 |
| 11. | WASHER – Cam retainer | 2.381 |
| 12. | CAM | 2.381 |
| 13. | SPRING – Weight | 2.389 |
| 14. | SHAFT | 2.372 |
| 15. | WASHER – Thrust fibre | 2.372 |
| 16. | SHIM | 2.372 |
| 17. | CONDENSER | 2.393 |
| 18. | SPRING – Cap | 2.368 |
| 19. | SCREW | 2.393 |
| 20. | SCREW | 2.410 |
| 21. | CLIP – Rod attaching | 2.410 |
| 22. | VACUUM CONTROL | 2.410 |
| 23. | BUSHING | 2.362 |
| 24. | FELT | 2.362 |
| 25. | GEAR | 2.374 |
| 26. | PIN – Gear | 2.379 |

DISTRIBUTOR (Delco-Remy)

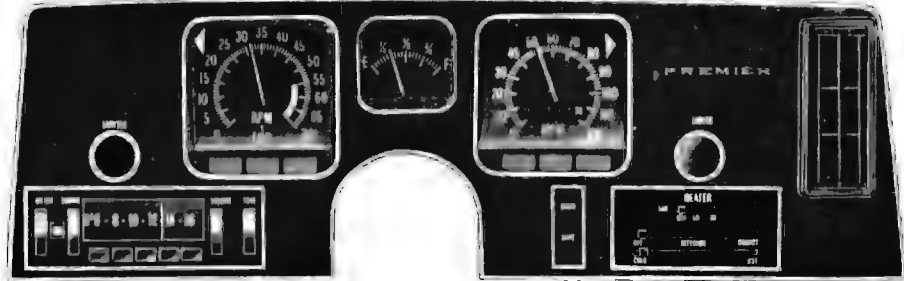


| Illus. Ref. No. | Part Name | Group |
|--------------------|-----------------------------------|-------|
| 1. | CAP | 2.367 |
| 2. | CONDENSER | 2.393 |
| 3. | SCREW—Condenser attach. | 2.393 |
| 4. | BRACKET—Condenser | 2.393 |
| 5. | WICK | 2.364 |
| 6. | RETAINER—Wick | 2.364 |
| 7. | ROTOR | 2.382 |
| 8. | SPRING—Weight | 2.389 |
| 9. | SHAFT | 2.372 |
| 10. | WEIGHT | 2.388 |
| 11. | CAM | 2.381 |
| 12. | PIN—Gear | 2.379 |
| 13. | GEAR | 2.374 |
| 14. | SPACER—Gear | 2.379 |
| 15. | HOUSING | 2.362 |
| 16. | VACUUM CONTROL ASSEMBLY | 2.410 |
| 17. | SEAL—Plastic | 2.362 |
| 18. | WASHER—Breaker plate felt | 2.385 |
| 19. | LEAD—Ground | 2.400 |
| 20. | PLATE—Breaker | 2.385 |
| 21. | RING—Breaker plate retainer | 2.385 |
| 22. | CONTACT SET | 2.384 |
| 23. | SCREW—Contact breaker | 2.387 |

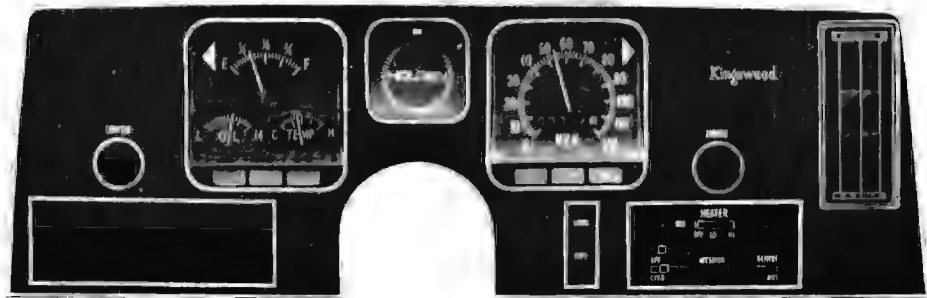
INSTRUMENTS, GAUGES, WARNING LAMPS, LAY-OUT (Group 2.515)



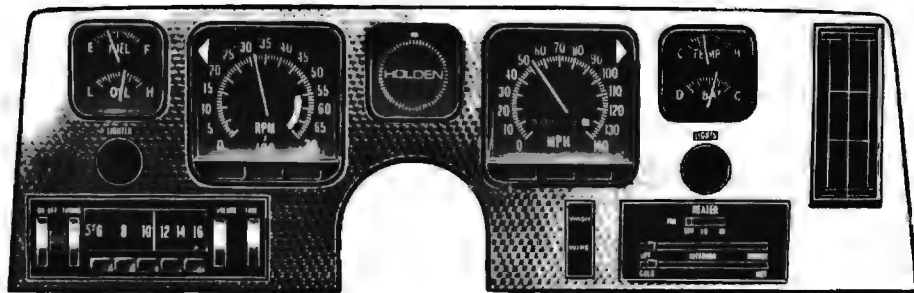
TYPE 1



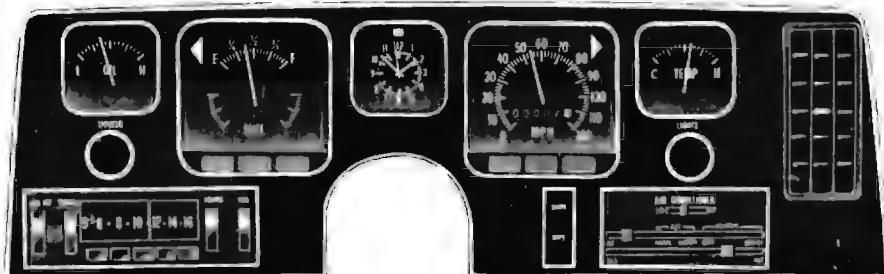
TYPE 2



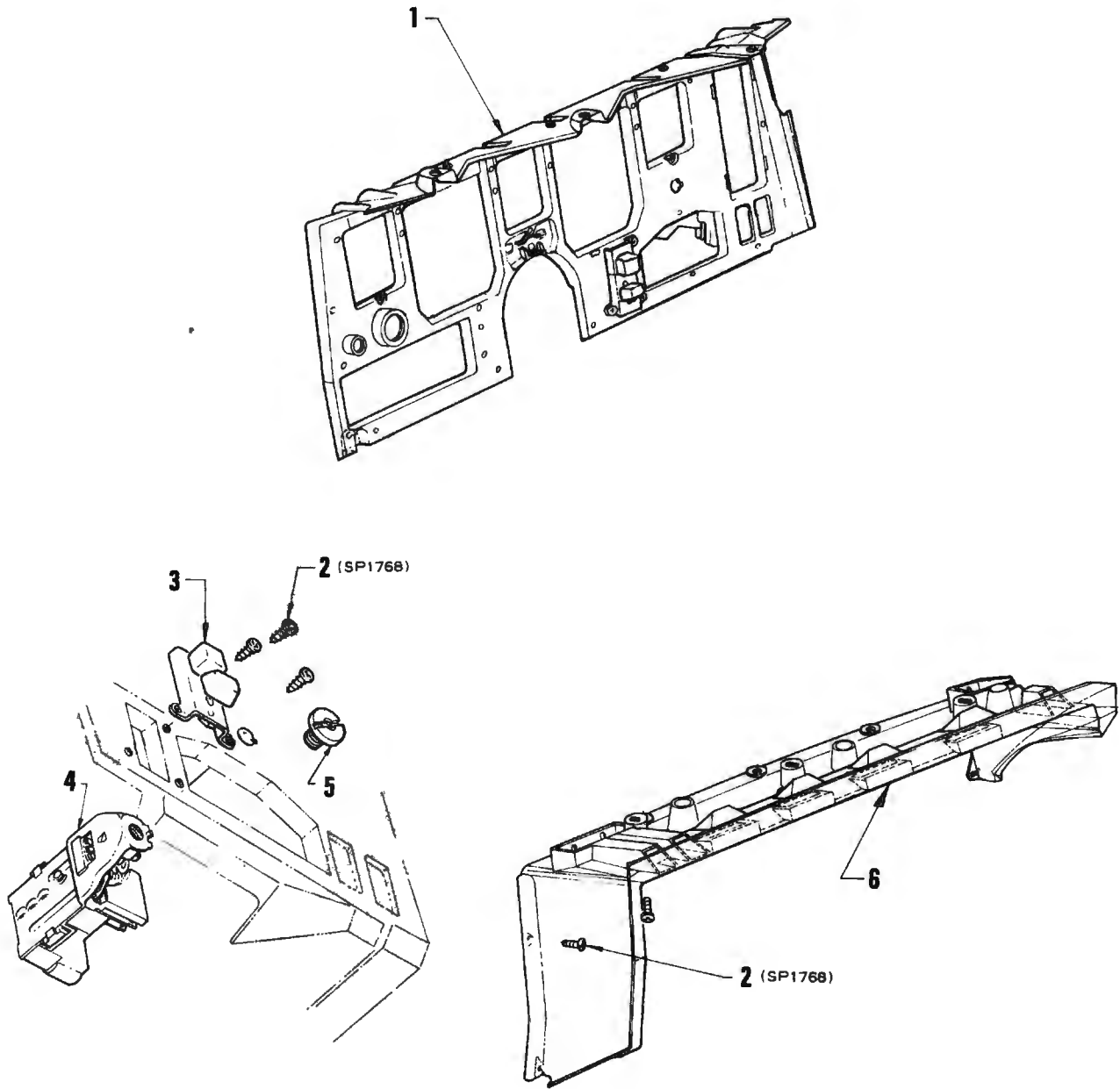
TYPE 3



TYPE 4

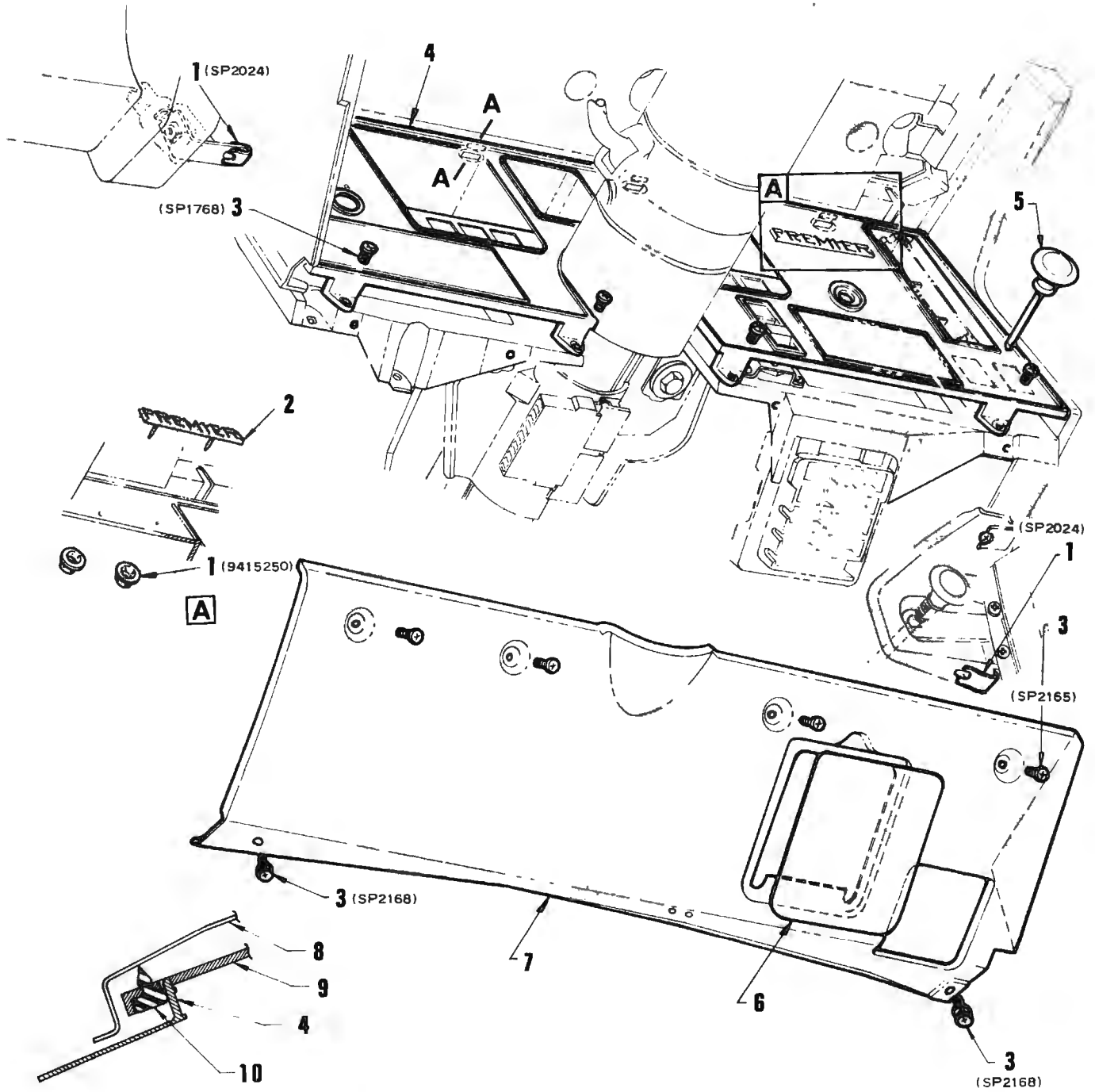


TYPE 5



CARRIER AND SURROUND

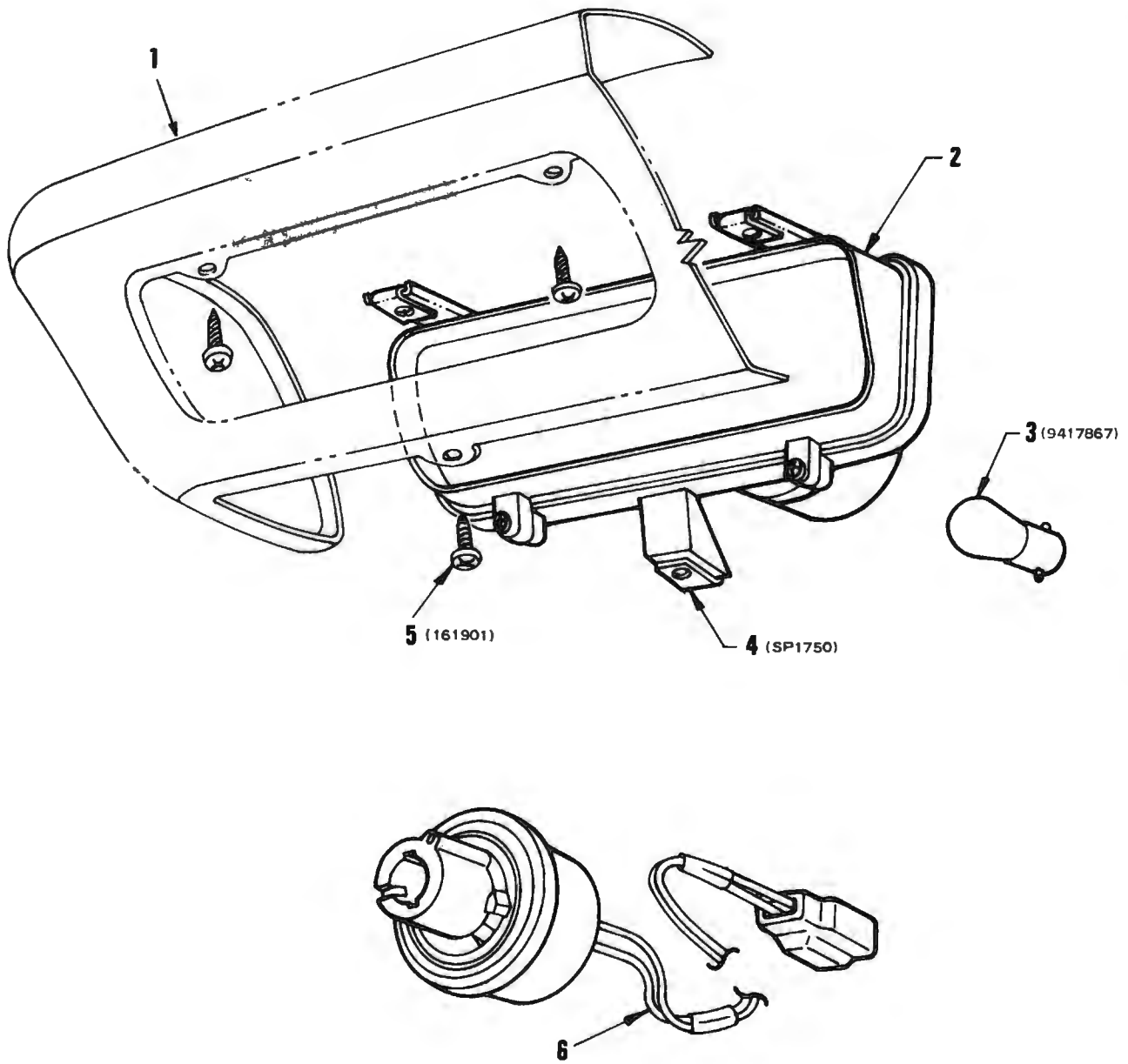
| ILLUS. REF. NO. | PART NAME | GROUP | ILLUS. REF. NO. | PART NAME | GROUP |
|-----------------|---|--------|-----------------|---------------------------------------|-------|
| 1. | CARRIER – Instrument | 2.515 | 4. | SWITCH ASSEMBLY – Lighting | 2.485 |
| 2. | SCREW – Sheet metal | 8.977 | 5. | BUSHING ASSY. – Lighting switch | 2.487 |
| 3. | SWITCH ASSEMBLY – Windshield wiper | 10.163 | 6. | SURROUND ASSEMBLY | 2.515 |



A-A

INSTRUMENT PANEL

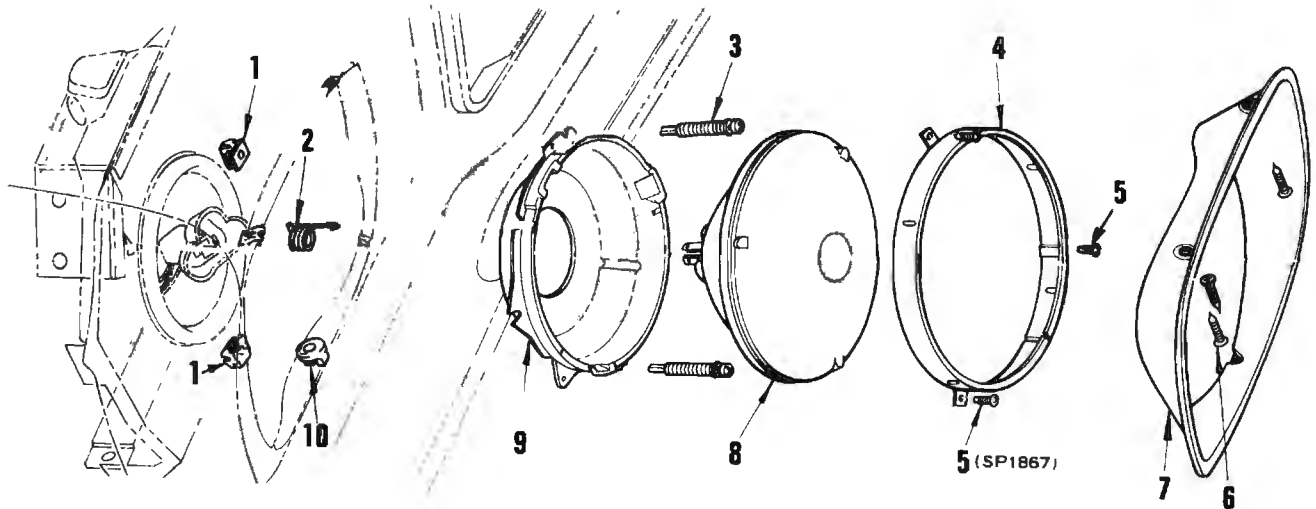
| ILLUS. REF. NO. | PART NAME | GROUP | ILLUS. REF. NO. | PART NAME | GROUP |
|-----------------|--|-------|-----------------|-----------------------------|-------|
| 1. | NUT - Stamped | 8.921 | 6. | COVER - Fuse | 2.481 |
| 2. | PLATE - Name | 2.515 | 7. | PANEL - Facia closing | 2.515 |
| 3. | SCREW - Sheet metal | 8.977 | 8. | CARRIER - Instrument | 2.515 |
| 4. | FACIA - Instrument | 2.515 | 9. | SURROUND ASSEMBLY | 2.515 |
| 5. | ROD ASSY. - Lighting switch control .. | 2.486 | 10. | BUMPER - Carrier | 2.515 |



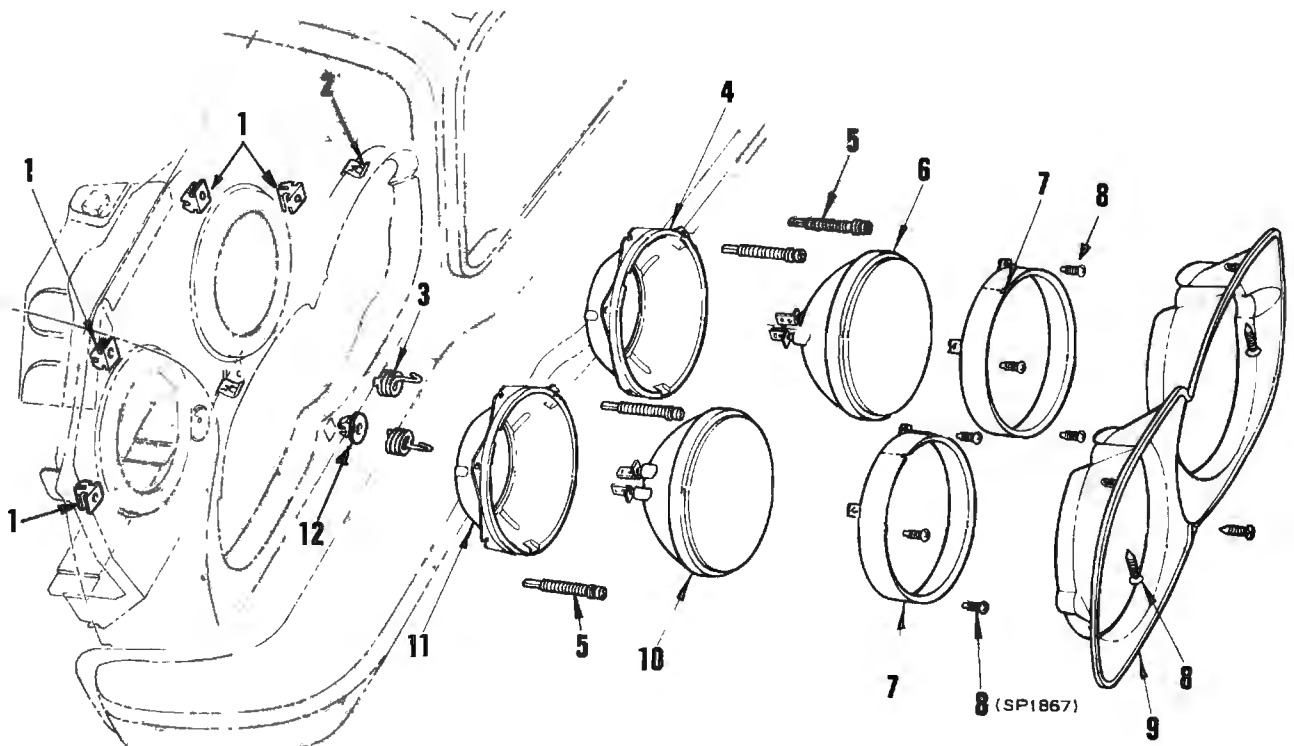
PARKING AND TURN SIGNAL LAMP

| ILLUS. REF. NO. | PART NAME | GROUP | ILLUS. REF. NO. | PART NAME | GROUP |
|-----------------|--|-------|-----------------|--|-------|
| 1. | BAR – Bumper face front | 7.831 | 4. | NUT – Stamped | 8.921 |
| 2. | LAMP ASSY. – Parking & Turn signal | 2.585 | 5. | SCREW – Sheet metal | 8.977 |
| 3. | BULB | 8.991 | 6. | LEAD ASSY. – Parking & turn signal lamp .. | 2.596 |

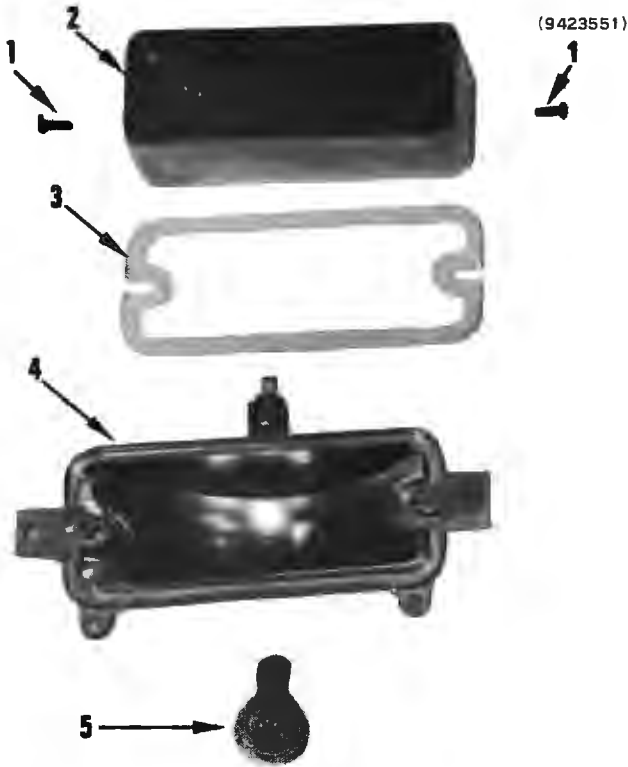
HEADLAMP ASSEMBLY



| ILLUS. REF. NO. | PART NAME | GROUP | ILLUS. REF. NO. | PART NAME | GROUP |
|-----------------|---------------------------------------|-------|-----------------|----------------------------|-------|
| 1. | NUT - Rectangular plastic | 2.729 | 6. | SCREW - Headlamp rim | 2.728 |
| 2. | SPRING - Light unit retaining | 2.737 | 7. | RIM - Headlamp | 2.728 |
| 3. | SCREW - Headlamp beam adjusting | 2.737 | 8. | SEAL BEAM UNIT | 2.727 |
| 4. | RING - Headlamp retaining | 2.731 | 9. | RING - Mounting | 2.726 |
| 5. | SCREW - Sheet metal..... | 8.977 | 10. | NUT - Lower | 2.728 |

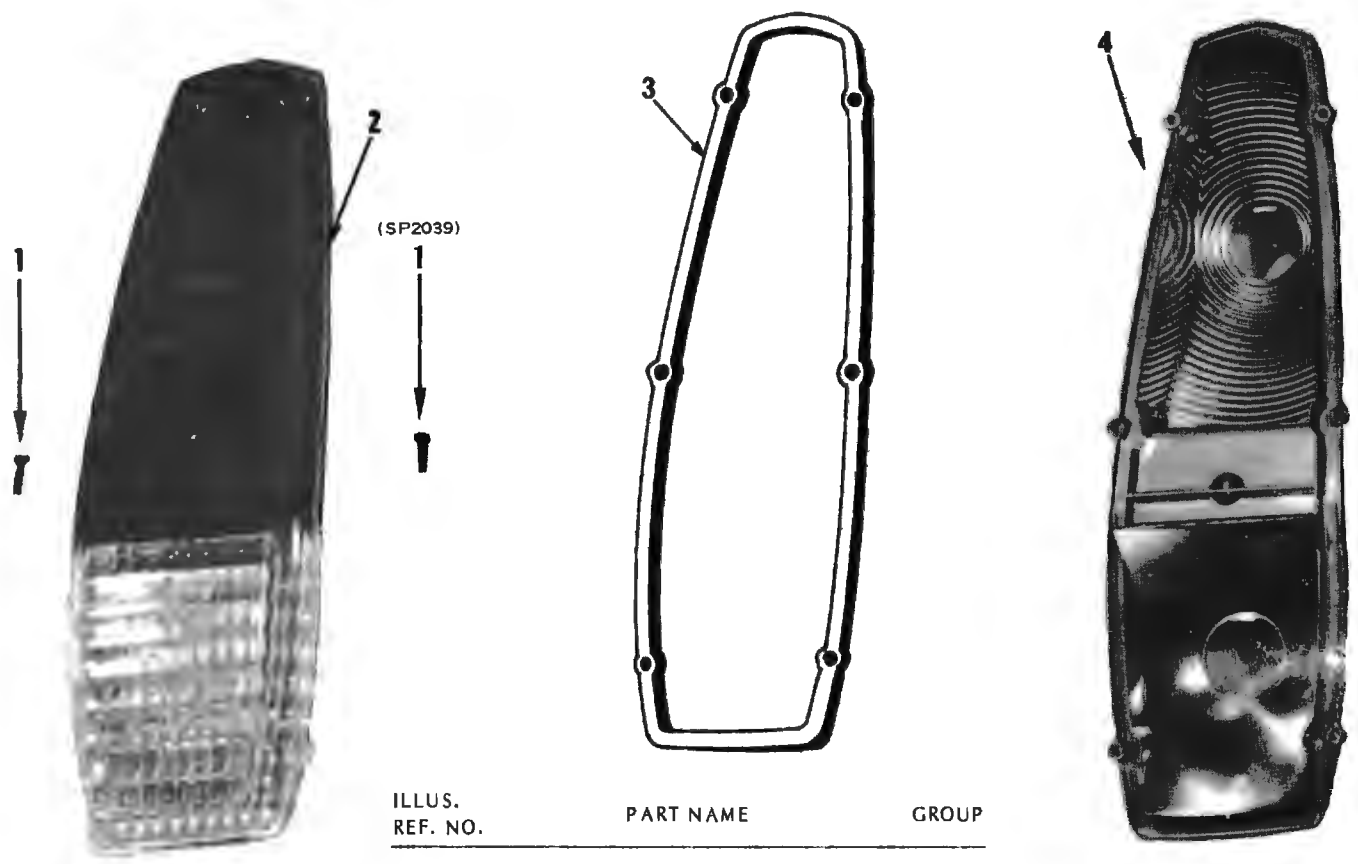


| ILLUS. REF. NO. | PART NAME | GROUP | ILLUS. REF. NO. | PART NAME | GROUP |
|-----------------|---------------------------------------|-------|-----------------|---------------------------------|-------|
| 1. | NUT - Rectangular plastic | 2.729 | 7. | RING - Headlamp retaining | 2.731 |
| 2. | NUT - Upper | 2.728 | 8. | SCREW - Sheet metal | 8.977 |
| 3. | SPRING - Light unit retaining | 2.737 | 9. | RIM - Headlamp | 2.728 |
| 4. | RING - Inner mounting | 2.726 | 10. | SEALED BEAM UNIT - Outer | 2.727 |
| 5. | SCREW - Headlamp beam adjusting | 2.737 | 11. | RING - Outer mounting | 2.726 |
| 6. | SEALED BEAM UNIT - Inner | 2.727 | 12. | NUT - Lower | 2.728 |

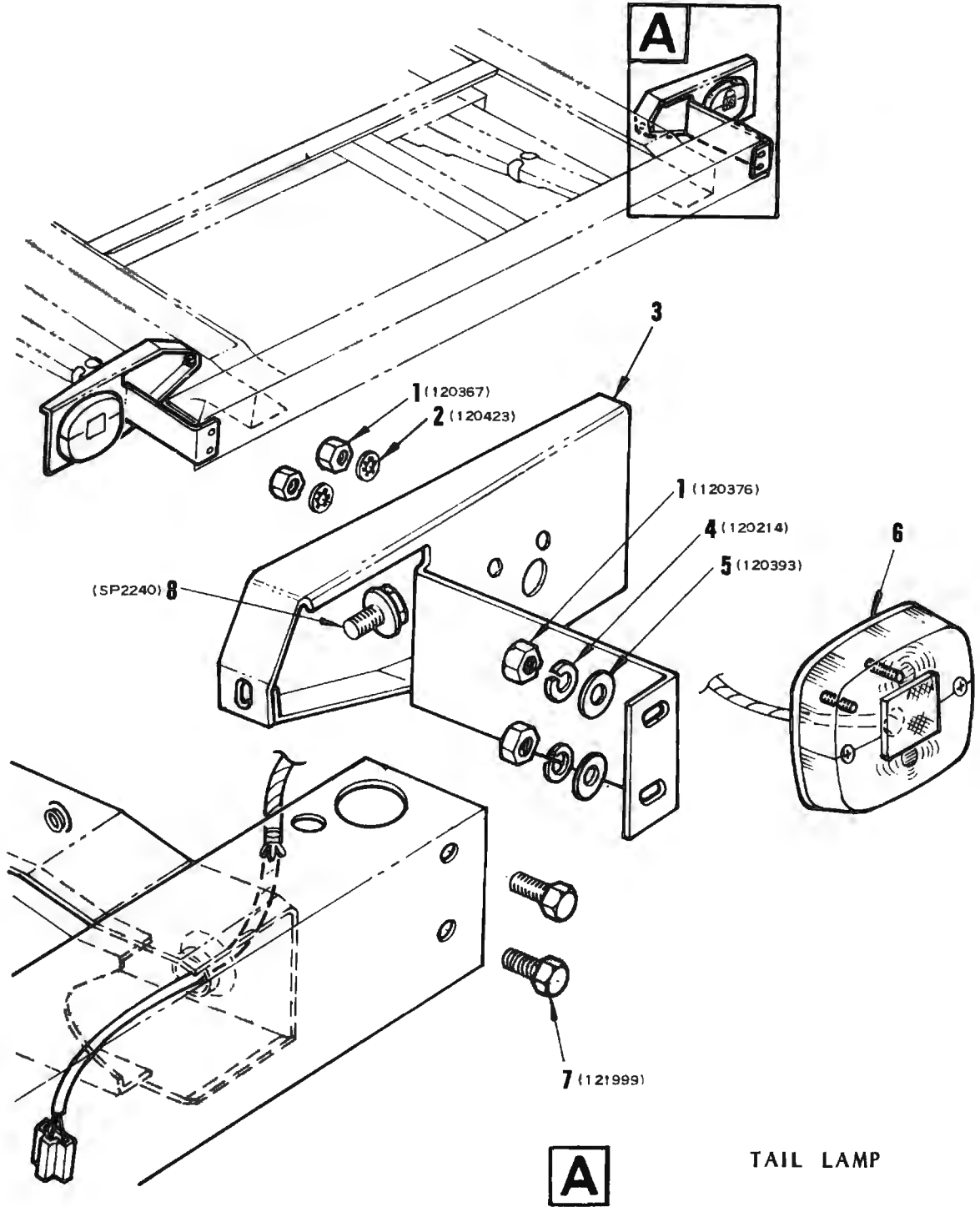


TAIL LAMPS

| ILLUS. REF. NO. | PART NAME | GROUP |
|--------------------|---------------------------|-------|
| 1. | SCREW - Sheet metal | 8.977 |
| 2. | LENS ASSEMBLY | 2.682 |
| 3. | GASKET - Lens | 2.684 |
| 4. | HOUSING ASSEMBLY | 2.680 |
| 5. | BULB | 2.679 |



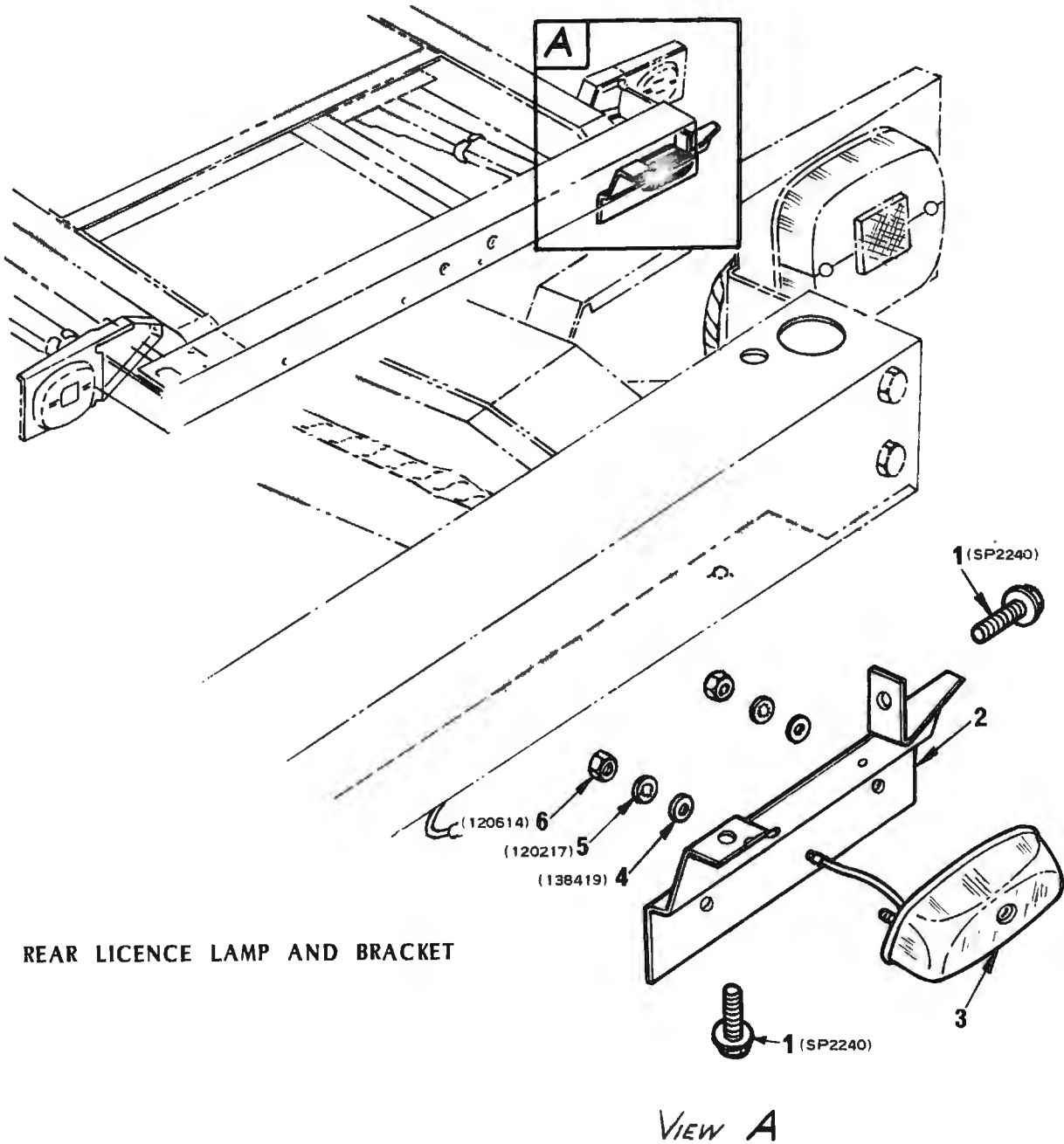
| ILLUS. REF. NO. | PART NAME | GROUP |
|--------------------|---------------------------|-------|
| 1. | SCREW - Sheet metal | 8.977 |
| 2. | LENS ASSEMBLY | 2.682 |
| 3. | GASKET - Lens | 2.684 |
| 4. | HOUSING ASSEMBLY | 2.680 |



A

TAIL LAMP

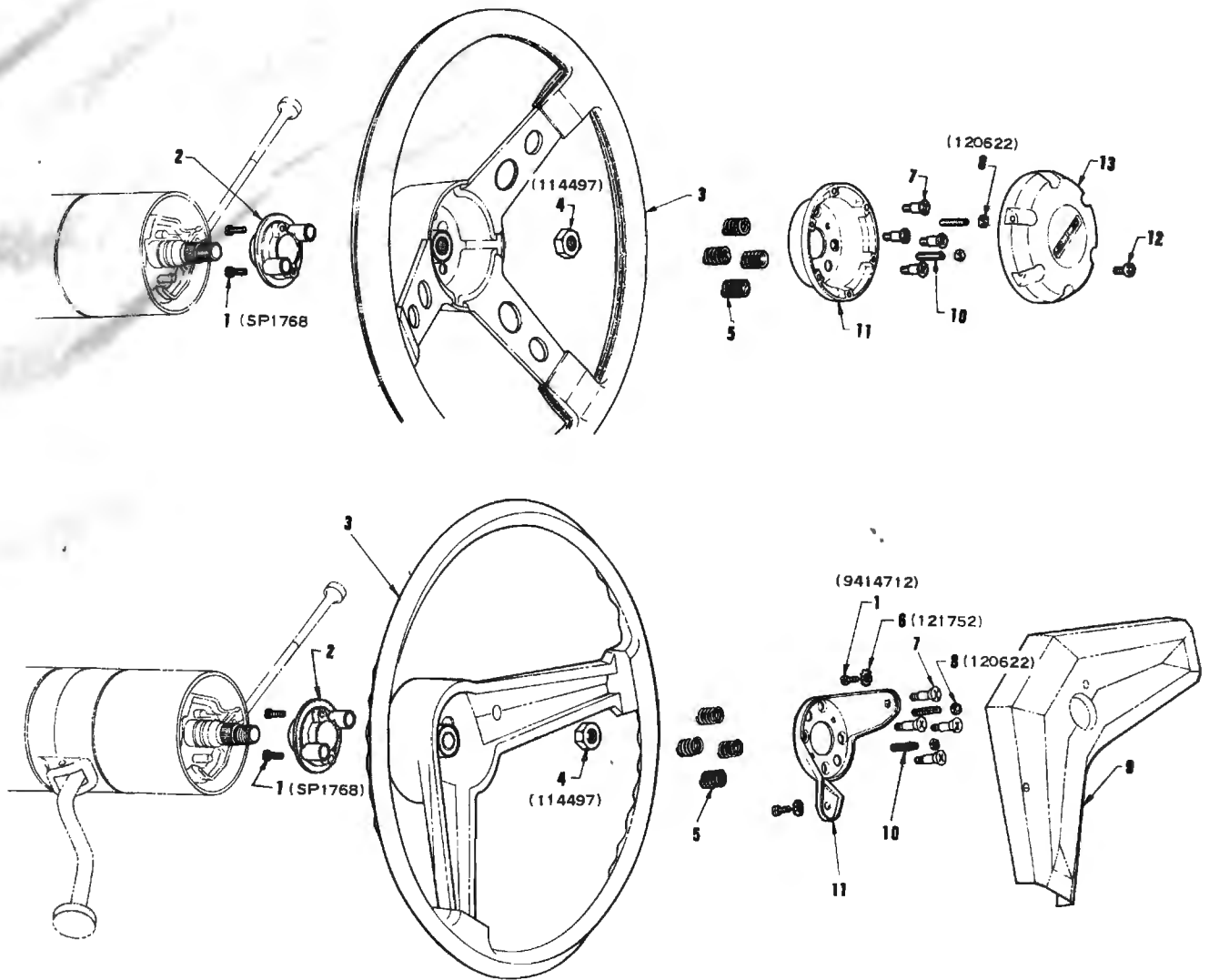
| ILLUS. REF. NO. | PART NAME | GROUP | ILLUS. REF. NO. | PART NAME | GROUP |
|-----------------|--|-------|-----------------|---|-------|
| 1. | NUT - Hexagon | 8.915 | 5. | WASHER - Flat | 8.929 |
| 2. | WASHER - Shakeproof | 8.932 | 6. | LAMP ASSY. - Stop, tail & turn signal ... | 2.679 |
| 3. | BRACKET - Tail, stop & turn signal lamp mounting | 2.665 | 7. | BOLT - Hexagon head | 8.900 |
| 4. | WASHER - Lock | 8.931 | 8. | SCREW - Sheet metal | 8.977 |



REAR LICENCE LAMP AND BRACKET

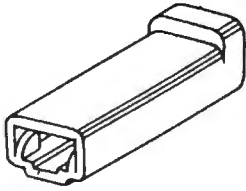
VIEW A

| ILLUS. REF. NO. | PART NAME | GROUP |
|--------------------|---|-------|
| 1. | SCREW - Hex. hd. 5/16" - 18 x 5/8" flanged head | 8.977 |
| 2. | BRACKET - Rear licence lamp | 2.705 |
| 3. | LAMP ASSY. - Rear licence plate | 2.700 |
| 4. | WASHER - Shakeproof, No. 10 internal/external tooth | 8.932 |
| 5. | WASHER - Lock, No. 10 medium | 8.931 |
| 6. | NUT - Hex. No. 10 - 32 machine screw (cad or zinc) | 8.915 |

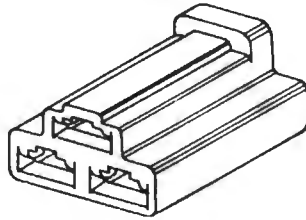


STEERING WHEEL AND HORN

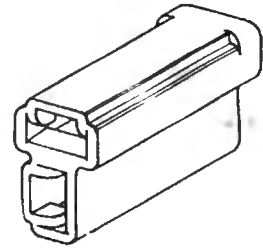
| ILLUS. REF. NO. | PART NAME | GROUP | ILLUS. REF. NO. | PART NAME | GROUP |
|-----------------|--|-------|-----------------|---|-------|
| 1. | SCREW - Sheet metal | 8.977 | 8. | NUT - Hexagon | 8.915 |
| 2. | SUPPORT & RING ASSEMBLY | 2.822 | 9. | BAR ASSEMBLY - Horn actuating | 2.830 |
| 3. | WHEEL ASSEMBLY - Steering | 6.513 | 10. | SCREW - Horn contact adjusting | 2.819 |
| 4. | NUT - Hexagon jam | 8.916 | 11. | ADAPTOR - Horn actuating bar | 2.824 |
| 5. | SPRING - Adaptor to steering wheel | 2.824 | 12. | SCREW - Emblem & button to adaptor | 2.820 |
| 6. | WASHER - Shakeproof | 8.932 | 13. | EMBLEM & BUTTON ASSEMBLY | 2.820 |
| 7. | SCREW - Adaptor to steering wheel | 2.824 | | | |



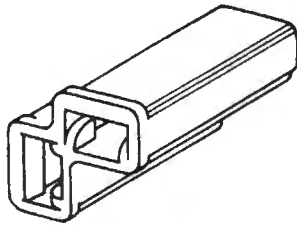
2962448



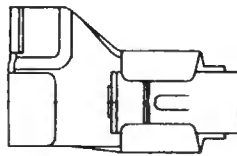
2962449



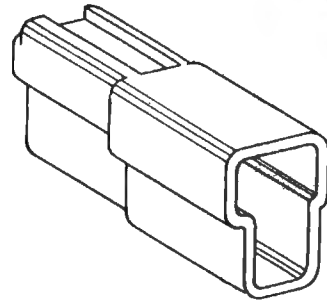
2962551



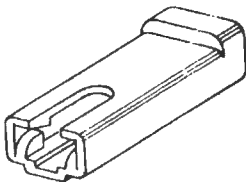
2962910



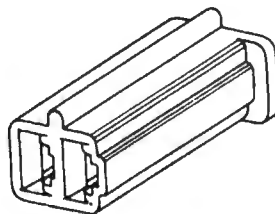
2962915



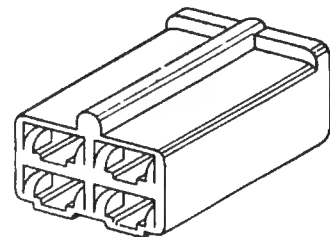
2962964



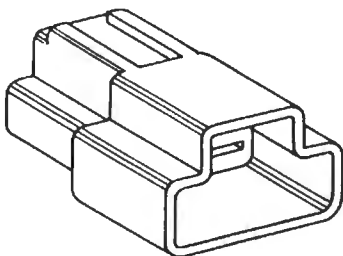
2962965



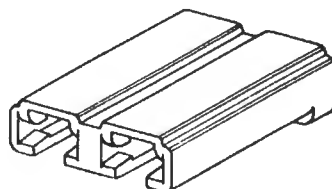
2962967



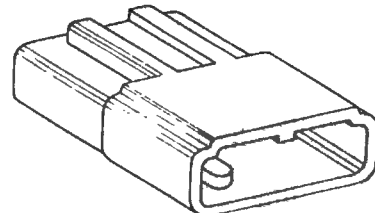
2962969



2973172

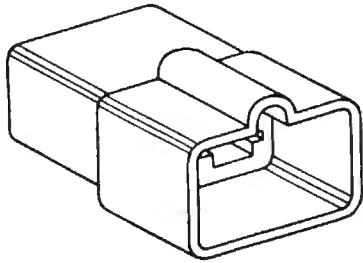


2973407

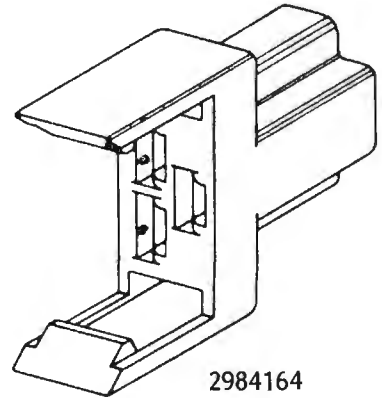


2973431

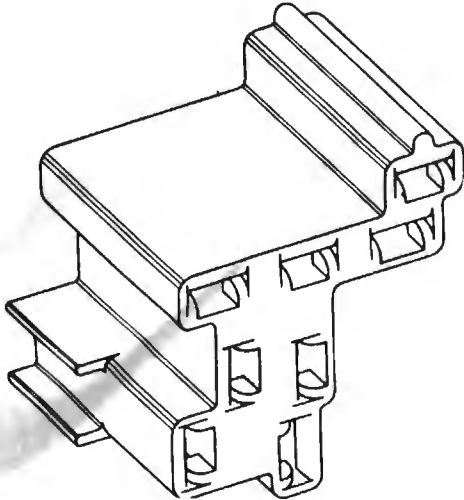
TERMINAL CONNECTOR BODIES



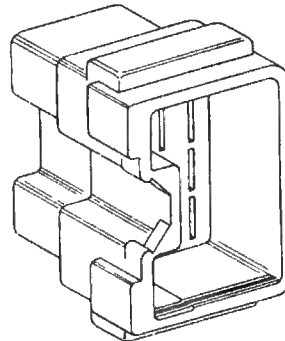
2973603



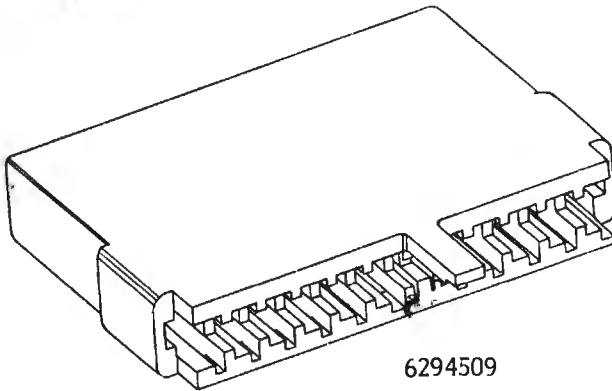
2984164



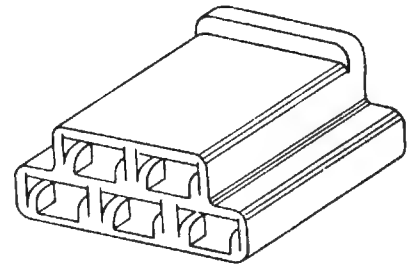
2984169



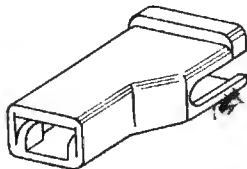
6288890



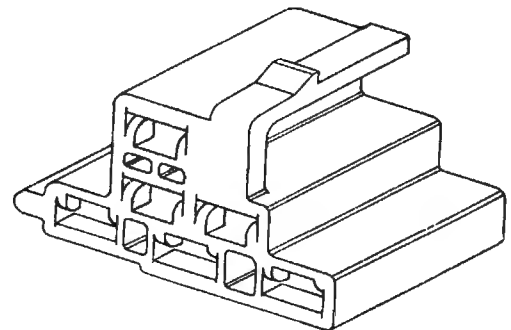
6294509



6294016

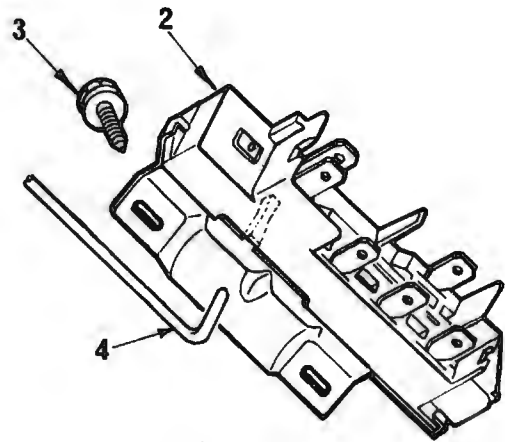
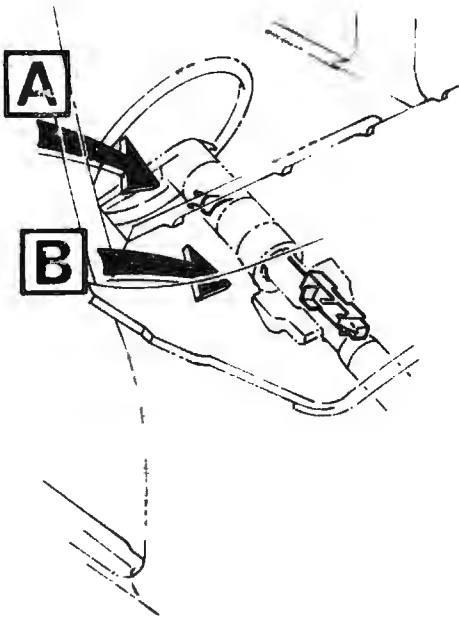


6294142

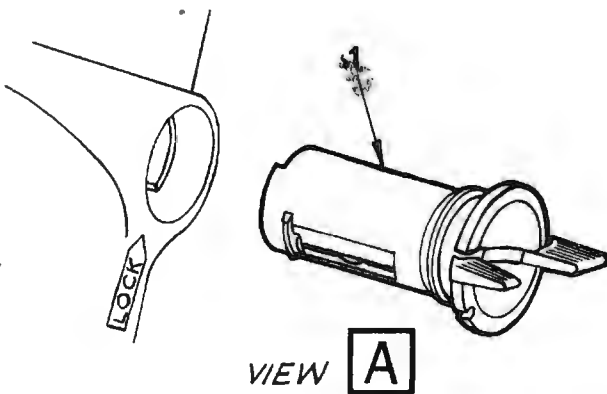


6294643

TERMINAL CONNECTOR BODIES



VIEW **B**



VIEW **A**

IGNITION & STARTER SWITCH ASSEMBLY

| ILLUS. REF. NO. | PART NAME | GROUP | ILLUS. REF. NO. | PART NAME | GROUP |
|-----------------|---|-------|-----------------|---|-------|
| 1. | LOCK ASSEMBLY - Ignition | 2.188 | 3. | BOLT - Switch to column | 2.188 |
| 2. | SWITCH ASSEMBLY - Ignition & starter | 2.188 | 4. | RACK & ROD - Ignition switch assy. | 2.195 |

"HQ" PARTS CATALOGUE

| GROUP | DESCRIPTION | MODEL | SIDE | PART No. | QTY. |
|--------------|---|------------------------------|------|----------|------|
| 2.040 | SHIELD – Starter motor heat | | | | |
| | SHIELD | 350 Eng. | | 3941198 | 1 |
| | STUD | 350 Eng. | | 3959544 | 3 |
| 2.041 | MOTOR ASSEMBLY – Starter | | | | |
| | MOTOR ASSEMBLY(Lucas) | 173 Eng. | | 2819377 | 1 |
| | MOTOR ASSEMBLY(Bosch) | 173, 202 Eng. | | 2815873 | 1 |
| | MOTOR ASSEMBLY(Bosch) | 253, 308 Eng. | | 7438110 | 1 |
| | MOTOR ASSEMBLY(Lucas) | 253 Eng. | | 2819022 | 1 |
| | MOTOR ASSEMBLY(Delco Remy) | 350 Eng. | | 1108400 | 1 |
| | BOLT | 253, 308 Eng. | | 7435397 | 1 |
| | BOLT | 253, 308 Eng. | | 2810367 | 1 |
| | BRACKET - Steady(Lucas) | 253 Eng. | | VS11887 | 1 |
| | SCREW - Steady bracket(Lucas) | 253 Eng. | | VS11888 | 1 |
| | BOLT | 350 Eng. | | 3733289 | 2 |
| | BRACE | 350 Eng. | | 3965589 | 1 |
| | NUT - Serrated face lock 1/4" - 20 | 350 Eng. | | SP1890 | 1 |
| | SCREW & LOCK WASHER ASSEMBLY | 350 Eng. | | 3973388 | 1 |
| 2.043 | ARMATURE – Starter motor | | | | |
| | ARMATURE(Bosch) | 173, 202, 253, 308 Eng. | | 7424652 | 1 |
| | ARMATURE(Lucas) | 173, 253 Eng. | | VS11964 | 1 |
| | ARMATURE | 350 Eng. | | 1965724 | 1 |
| 2.047 | SHOE – Starter motor pole | | | | |
| | SHOE | 350 Eng. | | 810601 | 4 |
| 2.049 | COIL ASSEMBLY, INSULATOR – Starter motor field | | | | |
| | COIL ASSEMBLY(Bosch) | 173, 253 Eng. | | 7424642 | 1 |
| | COIL ASSEMBLY(Lucas) | 173 Eng. | | VS12080 | 1 |
| | COIL ASSEMBLY(Lucas) | 253 Eng. | | VS11965 | 1 |
| | COIL ASSEMBLY(Bosch) | 202 Eng. | | VS10971 | 1 |
| | INSULATOR - Field coil to housing(Bosch) | 173, 202, 253, 308 Eng. | | 7424644 | 1 |
| | INSULATOR - Field coil to pole shoe(Bosch) | 173, 202, 253, 308 Eng. | | 7424645 | 1 |
| | COIL ASSEMBLY | 308 Eng. | | VS10971 | 1 |
| | COIL ASSEMBLY | 350 Eng. | | 1965730 | 1 |
| 2.051 | BRUSH – Starter motor | | | | |
| | BRUSH SET(Bosch) | 173, 202, 253, 308 Eng. | | 7424660 | 1 |
| | BRUSH SET(Lucas) | 173, 253 Eng. | | VS11875 | 1 |
| | BRUSH | 350 Eng. | | 1906945 | 4 |
| 2.052 | PLATE ASSEMBLY – Starter motor brush holder | | | | |
| | PLATE ASSEMBLY - Brush holder(Bosch) | 173, 202, 253 Eng. | | VS11970 | 1 |
| | HOLDER - Brush(Lucas) | 173, 253 Eng. | | VS11876 | 1 |
| | SCREW - Brush holder attaching(Lucas) | 173, 253 Eng. | | VS11878 | 2 |
| | WASHER - Brush holder screw(Lucas) | 173, 253 Eng. | | VS10812 | 2 |
| | PLATE ASSEMBLY - Brush holder(Bosch) | 308 Eng. | | 7424659 | 1 |
| | HOLDER - Ground brush | 350 Eng. | | 1940477 | 2 |
| | HOLDER - Insulator brush | 350 Eng. | | 1926618 | 2 |
| | PIN - Holder hinge | 350 Eng. | | 1966923 | 2 |
| | SUPPORT KIT - Brush holder | 350 Eng. | | 1928015 | 2 |
| | SCREW - Brush attaching insulated | 350 Eng. | | 1967747 | 2 |
| | SCREW - Brush attaching, ground | 350 Eng. | | 443527 | 2 |
| 2.053 | SPRING – Starter motor brush | | | | |
| | SPRING(Bosch) | 173, 202, 253, 308 Eng. | | 7424661 | 4 |
| | SPRING & PLATE ASSY.(Lucas) | 173, 253 Eng. | | VS11877 | 1 |
| | SPRING | 350 Eng. | | 1926622 | 2 |

"HQ" PARTS CATALOGUE

| GROUP | DESCRIPTION | MODEL | SIDE | PART No. | QTY. |
|--------------|--|------------------------------|------|----------|------|
| 2.054 | PIN – Starter motor dowel | | | | |
| | PIN (Bosch) | 350 Eng. | | 809593 | 1 |
| 2.055 | LEAD – Starter motor brush | | | | |
| | LEAD (Bosch) | 350 Eng. | | 1926605 | 2 |
| | SCREW (Bosch) | 350 Eng. | | 453468 | 1 |
| 2.063 | CAP, WASHER, SCREW – Starter motor armature | | | | |
| | CAP – Bearing (Bosch) | 173, 202, 253, 308 Eng. | | 7424665 | 1 |
| | WASHER – Brake thrust (Bosch) | 350 Eng. | | 818265 | 1 |
| | SCREW – Bearing cap (Bosch) | 173, 202, 253, 308 Eng. | | VS11971 | 2 |
| 2.067 | FRAME ASSEMBLY – Starter motor commutator end | | | | |
| | FRAME ASSEMBLY (Bosch) | 173, 202, 253, 308 Eng. | | 7424657 | 1 |
| | FRAME ASSEMBLY (Lucas) | 173, 253 Eng. | | VS11871 | 1 |
| | FRAME ASSEMBLY (Lucas) | 350 Eng. | | 1928966 | 1 |
| 2.077 | SCREW, BOLT – Starter motor | | | | |
| | SCREW – Pole shoe (Bosch) | 173, 202, 253, 308 Eng. | | VS11091 | 4 |
| | BOLT – Through (Bosch) | 173, 202, 253, 308 Eng. | | 7424666 | 2 |
| | WASHER – Through bolt (Bosch) | 173, 202, 253, 308 Eng. | | VS11092 | 2 |
| | BOLT – Through (Lucas) | 173 Eng. | | VS12081 | 2 |
| | BOLT – Through (Lucas) | 253 Eng. | | VS10831 | 2 |
| | WASHER – Through bolt (Lucas) | 173, 253 Eng. | | VS10832 | 2 |
| | SCREW – Pole shoe (Lucas) | 350 Eng. | | 1970469 | 4 |
| | BOLT – Through (Lucas) | 350 Eng. | | 1941111 | 1 |
| | BOLT – Through (Lucas) | 350 Eng. | | 1939970 | 1 |
| 2.080 | SUNDRY PARTS SET – Starter motor | | | | |
| | SUNDRY PARTS SET (Bosch) | 173, 202, 253, 308 Eng. | | VS11089 | 1 |
| 2.083 | BUSHING – Starter motor | | | | |
| | BUSHING – Drive end (Bosch) | 173, 202, 253, 308 Eng. | | 7424647 | 1 |
| | BUSHING – Drive end (Lucas) | 173, 253 Eng. | | 7428703 | 1 |
| | BUSHING – Comm. end frame (Bosch) | 173, 202, 253, 308 Eng. | | 7405590 | 1 |
| | BUSHING – Comm. end (Lucas) | 173, 253 Eng. | | VS11874 | 1 |
| | BUSHING – Drive end (Lucas) | 350 Eng. | | 1923907 | 1 |
| 2.085 | HOUSING – Starter motor drive with bushing | | | | |
| | HOUSING (Bosch) | 173, 202 Eng. | | VS11146 | 1 |
| | HOUSING (Bosch) | 253, 308 Eng. | | VS10972 | 1 |
| | HOUSING (Lucas) | 173 Eng. | | VS11883 | 1 |
| | HOUSING (Lucas) | 253 Eng. | | VS11354 | 1 |
| | HOUSING (Lucas) | 350 Eng. | | 1969309 | 1 |
| | SEAL – To clutch, converter housing (Lucas) | 253, 308 Eng. | | VS10973 | 1 |
| 2.086 | DRIVE ASSEMBLY – Starter motor | | | | |
| | DRIVE ASSEMBLY (Bosch) | 173, 202, 253, 308 Eng. | | 7424653 | 1 |
| | DRIVE ASSEMBLY (Lucas) | 173, 253 Eng. | | VS10815 | 1 |
| | DRIVE ASSEMBLY (Lucas) | 350 Eng. | | 1954842 | 1 |
| 2.087 | BUSHING, BUFFER – Starter motor pinion | | | | |
| | BUSHING – Drive (Bosch) | 173, 202, 253, 308 Eng. | | 7424831 | 1 |
| | BUFFER – Drive (Bosch) | 173, 202, 253, 308 Eng. | | 7420847 | 1 |
| | WASHER – Thrust, plain steel (Lucas) | 173, 253 Eng. | | VS11872 | 1 |
| | WASHER – Thrust, stepped steel (Lucas) | 173, 253 Eng. | | VS11881 | 1 |
| | WASHER – Thrust, nylon (Lucas) | 173, 253 Eng. | | VS11882 | 1 |
| | SHIM (Lucas) | 173, 253 Eng. | | VS11873 | 1 |
| | BUSHING – Pinion bearing (Lucas) | 173 Eng. | | VS10821 | 1 |
| | BUSHING – Pinion bearing (Lucas) | 253 Eng. | | VS11224 | 1 |

"HQ" PARTS CATALOGUE

| GROUP | DESCRIPTION | MODEL | SIDE | PART No. | QTY. |
|---|--|-------------------------|------|----------|------|
| 2.087 BUSHING, BUFFER -- Starter motor pinion (contd.) | | | | | |
| | RING - Lock (Lucas) | 173, 253 Eng. | | VS10816 | 1 |
| | SPRING - Engaging (Lucas) | 173, 253 Eng. | | VS10817 | 1 |
| | PLATE - Thrust (Lucas) | 173, 253 Eng. | | VS10820 | 1 |
| | PLATE - Operating (Lucas) | 173, 253 Eng. | | VS10818 | 1 |
| | COLLAR - Bearing (Lucas) | 173, 253 Eng. | | VS10819 | 1 |
| 2.096 STOP, COLLAR, RING -- Starter motor | | | | | |
| | STOP - Pinion assembly (Bosch) | 173, 202, 253, 308 Eng. | | 7424633 | 1 |
| | COLLAR - Drive end (Lucas) | 173, 253 Eng. | | VS10826 | 1 |
| | RING - Collar retaining (Lucas) | 173, 253 Eng. | | 7428707 | 1 |
| | WASHER - Drive end (Lucas) | 173 Eng. | | 7428705 | 1 |
| | COLLAR - Stop | 350 Eng. | | 1927849 | 1 |
| | COLLAR - Thrust | 350 Eng. | | 1927850 | 1 |
| | RING - Drive pinion stop collar | 350 Eng. | | 1927848 | 1 |
| 2.100 SWITCH ASSEMBLY -- Starter | | | | | |
| | SWITCH - Solenoid (Bosch) | 173, 202, 253, 308 Eng. | | VS10215 | 1 |
| | SCREW - Switch attaching (Bosch) | 173, 202, 253, 308 Eng. | | 7424669 | 2 |
| | SWITCH - Solenoid (Lucas) | 173, 253 Eng. | | VS10822 | 1 |
| | NUT - Terminal (Lucas) | 173, 253 Eng. | | VS10823 | 2 |
| | WASHER - Terminal nut (Lucas) | 173, 253 Eng. | | VS10824 | 2 |
| | NUT - Switch attaching (Lucas) | 173, 253 Eng. | | 7406859 | 2 |
| | SWITCH - Solenoid | 350 Eng. | | 1114356 | 1 |
| | SCREW - Attaching | 350 Eng. | | 9413260 | 2 |
| | WASHER - Screw lock | 350 Eng. | | 9421423 | 2 |
| 2.101 GROMMET -- Starter switch to solenoid | | | | | |
| | GROMMET (Lucas) | 173 Eng. | | VS11885 | 1 |
| | GROMMET - Cable outlet | 350 Eng. | | 1965047 | 1 |
| 2.102 STARTER MOTOR (SOLENOID) COMPONENTS | | | | | |
| | COVER - Switch (Bosch) | 173, 202, 253, 308 Eng. | | VS11090 | 1 |
| | GASKET - Solenoid 0.5 m.m. (Bosch) | 173, 202, 253, 308 Eng. | | 7424678 | A.R. |
| | GASKET - Solenoid 1 m.m. (Bosch) | 173, 202, 253, 308 Eng. | | 7424679 | A.R. |
| | NUT - Contact bolt (Bosch) | 173, 202, 253, 308 Eng. | | 7405645 | A.R. |
| | SCREW - Cover attaching (Bosch) | 173, 202, 253, 308 Eng. | | VS11973 | 2 |
| | WASHER - Main terminal (Bosch) | 173, 202, 253, 308 Eng. | | VS11087 | 1 |
| | WASHER - Switch cover screw (Bosch) | 173, 202, 253, 308 Eng. | | VS11086 | 2 |
| | BLADE - Contact | 350 Eng. | | 1935645 | 1 |
| | CLIP - Terminal | 350 Eng. | | 1949538 | A.R. |
| | CONNECTOR - Terminal adaptor | 350 Eng. | | 1963519 | A.R. |
| | CONTACT ASSEMBLY | 350 Eng. | | 1956226 | 1 |
| | COVER - Switch | 350 Eng. | | 1963525 | 1 |
| | GASKET - Switch cover | 350 Eng. | | 1966034 | 1 |
| | GROMMET - Field frame | 350 Eng. | | 1966391 | 1 |
| | PLUNGER | 350 Eng. | | 1941113 | 1 |
| | SCREW - Cover attaching | 350 Eng. | | 453468 | 3 |
| | SCREW - Field lead attaching No. 10 - 32 x 7/16" | 350 Eng. | | 9427815 | A.R. |
| | SCREW - Field lead attaching No. 10 - 32 x 1" | 350 Eng. | | 9413474 | A.R. |
| | SPRING - Contact return | 350 Eng. | | 1853342 | 1 |
| | SPRING - Plunger return | 350 Eng. | | 1958679 | 1 |
| | STUD - Battery terminal | 350 Eng. | | 1960244 | 1 |
| | STUD - Motor terminal | 350 Eng. | | 1955499 | 1 |
| | STUD - Resistor terminal | 350 Eng. | | 1950069 | 1 |
| | STUD - Switch terminal | 350 Eng. | | 1950069 | 1 |
| | WASHER - Cover attaching screw | 350 Eng. | | 1923935 | 3 |
| | WASHER - Field attaching (1/16" thick) | 350 Eng. | | 1883115 | A.R. |
| | WASHER - Motor & battery terminals (rubber) | 350 Eng. | | 1950064 | A.R. |
| | WASHER - Switch terminal (plain) | 350 Eng. | | 815540 | A.R. |
| | WASHER - Switch terminal (rubber) | 350 Eng. | | 1950071 | A.R. |
| | WASHER - Plain terminal | 350 Eng. | | 805790 | A.R. |

"HQ" PARTS CATALOGUE

| GROUP | DESCRIPTION | MODEL | SIDE | PART No. | QTY. |
|---|---|------------------------------|------|----------|------|
| 2.108 LEVER ASSEMBLY – Starter motor shift | | | | | |
| | LEVER ASSY. (Bosch) | 173, 202, 253, 308 Eng. | | 7424648 | 1 |
| | SCREW (Bosch) | 173, 202, 253, 308 Eng. | | 7424649 | 1 |
| | NUT (Bosch) | 173, 202, 253, 308 Eng. | | 7405604 | 1 |
| | WASHER – Lock (Bosch) | 173, 202, 253, 308 Eng. | | VS11969 | 1 |
| | LEVER ASSEMBLY (Lucas) | 173, 253 Eng. | | VS10813 | 1 |
| | PIN – Pivot (Lucas) | 173 Eng. | | VS11879 | 1 |
| | PIN – Pivot (Lucas) | 253 Eng. | | VS10814 | 1 |
| | NUT – Pivot pin (Lucas) | 173, 253 Eng. | | 7406835 | 1 |
| | LEVER ASSY. | 350 Eng. | | 1951567 | 1 |
| | PIN | 350 Eng. | | 455106 | 1 |
| | STUD | 350 Eng. | | 1932197 | 1 |
| | NUT | 350 Eng. | | 1926640 | 1 |
| 2.170 COIL ASSEMBLY, BRACKET – Ignition | | | | | |
| | COIL ASSEMBLY (Bosch) | 173, 202 Eng. | | 7422779 | 1 |
| | COIL ASSEMBLY (Lucas) | 173, 202 Eng. | | 7431087 | 1 |
| | BRACKET – Ignition coil (Bosch) | 173, 202 Eng. | | 7422780 | 1 |
| | BRACKET – Ignition coil (Lucas) | 173, 202 Eng. | | 7422907 | 1 |
| | COIL ASSEMBLY (Bosch) | 253, 308, 350 Eng. | | 7435105 | 1 |
| | COIL ASSEMBLY (Lucas) | 253, 308, 350 Eng. | | 7440470 | 1 |
| | BRACKET & SCREW ASSEMBLY – Coil | 253, 308 Eng. | | 7449585 | 1 |
| | BRACKET & SCREW ASSEMBLY – Coil | 350 Eng. | | 2817804 | 1 |
| 2.188 SWITCH ASSEMBLY – Ignition and starting | | | | | |
| | LOCK ASSEMBLY – Ignition (coded) | ALL | | 2813163 | 1 |
| | SERVICE PACKAGE – Ignition lock (uncoded) | ALL | | 2822467 | 1 |
| | TUMBLER – No. 1 (Package of 100) | ALL | | 3901061 | A.R. |
| | TUMBLER – No. 2 (Package of 100) | ALL | | 3901062 | A.R. |
| | TUMBLER – No. 3 (Package of 100) | ALL | | 3901063 | A.R. |
| | TUMBLER – No. 4 (Package of 100) | ALL | | 3901064 | A.R. |
| | TUMBLER – No. 5 (Package of 100) | ALL | | 3901065 | A.R. |
| | SWITCH ASSEMBLY – Ignition & starter | ALL | | 2811924 | 1 |
| | BOLT – Switch to column | ALL | | SP2319 | 2 |
| | BOLT & SPRING ASSY. – Steering lock | ALL | | 2812811 | 1 |
| | WASHER – Steering lock thrust | ALL | | 7805950 | 1 |
| 2.195 RACK and ROD, SECTOR, SHAFT – Ignition switch actuator | | | | | |
| | RACK & ROD | ALL | | 2813550 | 1 |
| | SPRING – Rack preload | ALL | | 7804410 | 1 |
| | SHAFT | ALL | | 7804412 | 1 |
| | SECTOR | ALL | | 7806046 | 1 |
| 2.239 WIRE UNIT – Spark plug and distributor | | | | | |
| | WIRE UNIT – T.V.R.S. | 173, 202 Eng. | | 7423454 | 1 |
| | WIRE UNIT – Copper wire | 173, 202 Eng. | | 7436752 | 1 |
| | WIRE UNIT – T.V.R.S. | 253, 308 Eng. | | 2812083 | 1 |
| | WIRE UNIT – T.V.R.S. | 350 Eng. | | 2825322 | 1 |
| | WIRE UNIT – Copper wire | 350 Eng. | | 2825321 | 1 |
| | WIRE ASSY. – Coil to distributor | 350 Eng. | | 2979565 | 1 |
| | WIRE ASSY. – S/Plug Nos. 5,6,7,8 cylinders | 350 Eng. | | 2979302 | 4 |
| 2.251 RETAINER, SHIELD, SUPPORT – Spark plug wire | | | | | |
| | RETAINER – Spark plug wire | 253, 308 Eng. | | 2965736 | 2 |
| | RETAINER – Spark plug wire | 350 Eng. | | 2977555 | 2 |
| | RETAINER – Distributor to coil wire | 350 Eng. | | 2965736 | 1 |
| | RETAINER – Distributor to coil wire | 350 Eng. | | 2820526 | 1 |
| | SHIELD – Front | 350 Eng. | LH | 3919807 | 1 |
| | | | RH | 3917663 | 1 |
| | SHIELD – Rear | 350 Eng. | LH | 3917663 | 1 |
| | | | RH | 3917664 | 1 |

"HQ" PARTS CATALOGUE

| GROUP | DESCRIPTION | MODEL | SIDE | PART No. | QTY. |
|--------------|---|--|------|--------------------------|------|
| 2.251 | RETAINER, SHIELD, SUPPORT – Spark plug wire (contd.) | | | | |
| | SPACER | 253, 308 Eng. Air Cond. | | 2977417 | 1 |
| | SUPPORT – Rear lower | 350 Eng. | LH | (¹² 3900407) | 1 |
| | SUPPORT – Side | 350 Eng. | | (¹² 3744408) | 2 |
| | SUPPORT – Rear lower | 350 Eng. | LH | (¹² 3973366) | 1 |
| | SUPPORT – Side | 350 Eng. | | (¹² 3923266) | 2 |
| 2.258 | NIPPLE, BOOT – Spark plug wire insulating | | | | |
| | NIPPLE – Distributor cap insulating | 173, 202 Eng. | | 5289527 | 6 |
| | NIPPLE – Distributor cap insulating | 253, 308 Eng. | | 2973999 | 8 |
| | NIPPLE – Coil lead insulating (Cap end) | ALL | | 5289527 | 1 |
| | NIPPLE – Coil lead insulating (Coil end) | ALL | | 5290441 | 1 |
| | BOOT – Spark plug | 173, 202 Eng. | | 2962674 | 6 |
| | BOOT – Spark plug | 253, 308 Eng. | | 2965987 | 8 |
| 2.270 | PLUG ASSEMBLY – Spark | | | | |
| | PLUG – Spark | 173 Eng. | | 44T | 6 |
| | PACKAGE – (Set of 6 No. 44T) | 173 Eng. | | 2820504 | 1 |
| | PLUG – Spark | 202 Eng. | | 45T | 6 |
| | PACKAGE – (Set of 6 No. 45T) | 202 Eng. | | 2820505 | 1 |
| | PLUG – Spark | 253, 308 Eng. | | 44T | 8 |
| | PACKAGE – (Set of 8 No. 44T) | 253, 308 Eng. | | 2819771 | 1 |
| | PLUG – Spark (Optional) | 173, 253, 308 Eng. | | 43T | 6-8 |
| | PACKAGE – (Set of 8 No. 43T) (Optional) | 253, 308 Eng. | | 2822798 | 1 |
| | PLUG – Spark | 350 Eng. | | 44TS | 8 |
| | PACKAGE – (Set of 8 No. 44TS) | 350 Eng. | | 2825324 | 1 |
| | PLUG – Spark (Optional) | 350 Eng. | | 43TS | 8 |
| 2.274 | PULLEY, FAN – Generator | | | | |
| | PULLEY ASSEMBLY | 173, 202, 253, 308 Eng. | | 2825019 | 1 |
| | PULLEY ASSEMBLY | 350 Eng. | | 2825064 | 1 |
| | FAN – Generator | 173, 202, 253, 308 Eng. | | 7430410 | 1 |
| | FAN – Generator | 350 Eng. | | 2808199 | 1 |
| 2.275 | GENERATOR ASSEMBLY – Diode rectified | | | | |
| | GENERATOR ASSEMBLY (Bosch) | 173, 202, 253, 308 Eng. exc. Air Cond. | | 9929209 | 1 |
| | GENERATOR ASSEMBLY (Lucas) | 173, 202, 253, 308 Eng. exc. Air Cond. | | 2819152 | 1 |
| | GENERATOR ASSEMBLY (Lucas) | 202, 253, 308 Eng. Air Cond. | | 2819154 | 1 |
| | GENERATOR ASSEMBLY (Bosch) | 350 Eng. exc. Air Cond. | | 2820337 | 1 |
| | GENERATOR ASSEMBLY (Lucas) | 350 Eng. Air Cond. | | 2820340 | 1 |
| 2.277 | BRACKET, SUPPORT, SPACER, BOLT – Generator mounting | | | | |
| | BRACKET ASSEMBLY | 173, 202 Eng. | | 7429932 | 1 |
| | BRACKET – Front | 253, 308 Eng. | | 2811892 | 1 |
| | SUPPORT – Rear | 253, 308 Eng. | | 2811891 | 1 |
| | BRACKET | 350 Eng. | | 3951500 | 1 |
| | SPACER – Mounting | 350 Eng. | | 2808200 | 1 |
| | BOLT – Hex. hd. $\frac{3}{8}$ " – 16 x 6.03" | 350 Eng. | | SP1957 | 1 |
| 2.279 | ROTOR – Generator | | | | |
| | ROTOR (Bosch) | Exc. Air Cond. | | VS12016 | 1 |
| | SLIP RING (Bosch) | Exc. Air Cond. | | VS11094 | 1 |
| | ROTOR (Lucas) | 172, 202, 253, 308 Eng. exc. Air Cond. | | VS12033 | 1 |
| | ROTOR (Lucas) | 202, 253, 308, 350 Eng. Air Cond. | | VS12086 | 1 |
| | KEY (Lucas) | ALL | | 7405705 | 1 |
| 2.280 | NUT, WASHER – Generator rotor | | | | |
| | NUT (Lucas) | ALL | | 7405703 | 1 |
| | WASHER (Lucas) | ALL | | VS11765 | 1 |

Note: (¹² Casting No. 3973469 on the top rear surface of Inlet Manifold.
(¹³ Casting No. 6263751 on the top rear surface of Inlet Manifold.

"HQ" PARTS CATALOGUE

| GROUP | DESCRIPTION | MODEL | SIDE | PART No. | QTY. |
|--------------|---|---|------|----------|------|
| 2.285 | BRUSH SET – Generator | | | | |
| | BRUSH SET(Bosch) | Exc. Air Cond. | | VS12023 | 1 |
| | BRUSH & SPRING SET(Lucas) | ALL | | VS12041 | 1 |
| 2.286 | SPRING – Generator brush | | | | |
| | SPRING(Bosch) | Exc. Air Cond. | | VS12024 | 2 |
| 2.289 | RECTIFIER ASSEMBLY – Generator | | | | |
| | RECTIFIER ASSEMBLY(Bosch) | Exc. Air Cond. | | VS12025 | 1 |
| | BOLT – Rectifier, long(Bosch) | Exc. Air Cond. | | VS12019 | 1 |
| | BOLT – Rectifier, short(Bosch) | Exc. Air Cond. | | VS12020 | 2 |
| 2.289 | SINK – Heat and components | | | | |
| | SINK – Heat, negative with diodes(Lucas) | 173, 202, 253, 308 Eng. exc. Air Cond. | | VS12035 | 1 |
| | SINK – Heat, positive with diodes(Lucas) | 173, 202, 253, 308 Eng. exc. Air Cond. | | VS12036 | 1 |
| | SINK – Heat, negative with diodes(Lucas) | 202, 253, 308, 350 Eng. Air Cond. | | VS12088 | 1 |
| | SINK – Heat, positive with diodes(Lucas) | 202, 253, 308, 350 Eng. Air Cond. | | VS12089 | 1 |
| | PLATE – Field terminal with diodes(Lucas) | ALL | | VS12043 | 1 |
| | SUNDRY PARTS SET – Heat sink mounting(Lucas) | ALL | | VS12091 | 1 |
| 2.291 | PLATE, BOX, MOULDING – Generator brush | | | | |
| | PLATE ASSEMBLY – Brush(Bosch) | Exc. Air Cond. | | VS12022 | 1 |
| | BOLT – Brush plate(Bosch) | Exc. Air Cond. | | 7424757 | 2 |
| | WASHER – Flat(Bosch) | Exc. Air Cond. | | 7406900 | 2 |
| | WASHER – Lock(Bosch) | Exc. Air Cond. | | 7406323 | 2 |
| | BOX ASSEMBLY – Brush (Metal)(Lucas) | ALL | | VS12039 | 1 |
| | MOULDING – Brush box (Plastic)(Lucas) | ALL | | VS12040 | 1 |
| | SCREW – Brush box(Lucas) | ALL | | VS12038 | 1 |
| 2.297 | HOUSING, PLATE – Generator slip ring end | | | | |
| | HOUSING – (Suit generator assy. 2819151, 2820337)(Bosch) | Exc. Air Cond. | | VS12021 | 1 |
| | HOUSING – (Suit generator assy. 9929209, 9929210)(Bosch) | ALL | | VS12339 | 1 |
| | PLATE(Lucas) | 173, 202, 253, 308 Eng. exc. Air Cond. | | VS12034 | 1 |
| | PLATE(Lucas) | 202, 253, 308, 350 Eng. Air Cond. | | VS12087 | 1 |
| | WASHER – Wave(Lucas) | ALL | | VS11776 | 1 |
| 2.298 | BEARING – Generator slip ring end | | | | |
| | BEARING(Bosch) | Exc. Air Cond. | | 7420853 | 1 |
| | BEARING(Lucas) | ALL | | VS11773 | 1 |
| 2.305 | PLATE – Generator drive end | | | | |
| | PLATE – (Suit generator assy. 2819151, 2820337)(Bosch) | Exc. Air Cond. | | VS12015 | 1 |
| | PLATE – (Suit generator assy. 9929209, 9929210)(Bosch) | ALL | | VS12338 | 1 |
| | PLATE(Lucas) | ALL | | VS12030 | 1 |
| 2.306 | BEARING – Generator drive end | | | | |
| | BEARING(Bosch) | Exc. Air Cond. | | 7420850 | 1 |
| | BEARING(Lucas) | ALL | | VS11767 | 1 |
| 2.307 | SUNDRY PARTS – Generator drive end | | | | |
| | SUNDRY PARTS SET – Bearing cover plate(Bosch) | Exc. Air Cond. | | VS12027 | 1 |
| | PLATE – Bearing retainer(Lucas) | ALL | | VS12084 | 1 |
| | SCREW – Bearing retainer plate(Lucas) | ALL | | VS11771 | 3 |
| | COLLAR – Distance(Lucas) | ALL | | VS11768 | 1 |
| | RETAINER – Bearing ring(Lucas) | 173, 202, 253, 308 Eng. exc. Air Cond. | | VS12032 | 1 |
| | WASHER – Support(Lucas) | 202, 253, 308, 350 Eng. Air Cond. | | VS12085 | 1 |
| | CIRCLIP – Shaft(Lucas) | 202, 253, 308, 350 Eng. Air Cond. | | VS12092 | 1 |

"HQ" PARTS CATALOGUE

| GROUP | DESCRIPTION | MODEL | SIDE | PART No. | QTY. |
|--------------|--|---|------|-------------------------|------|
| 2.310 | STATOR – Generator | | | | |
| | STATOR (Bosch) | Exc. Air Cond. | | VS12014 | 1 |
| | STATOR (Lucas) | 173, 202, 253, 308 Eng. exc. Air Cond. | | VS12042 | 1 |
| | STATOR (Lucas) | 202, 253, 308, 350 Eng. Air Cond. | | VS12090 | 1 |
| 2.315 | SUNDRY PARTS SET – Generator | | | | |
| | SUNDRY PARTS SET (Bosch) | Exc. Air Cond. | | VS12028 | 1 |
| 2.316 | BOLT – Generator through | | | | |
| | BOLT (Bosch) | Exc. Air Cond. | | VS12026 | 4 |
| | WASHER – Lock (Bosch) | Exc. Air Cond. | | 7424685 | 4 |
| | WASHER – Flat (Bosch) | Exc. Air Cond. | | 7405633 | 4 |
| | BOLT (Lucas) | 173, 202, 253, 308 Eng. exc. Air Cond. | | VS11763 | 3 |
| | BOLT (Lucas) | 202, 253, 308, 350 Eng. Air Cond. | | VS12083 | 3 |
| 2.317 | BRACE – Generator | | | | |
| | BRACE (Bosch) | 173, 202 Eng. exc. Air Cond. | | 7423817 | 1 |
| | BRACE (Bosch) | 202 Eng. Air Cond. | | 2814840 | 1 |
| | SPACER – Brace to thermostat housing | 202 Eng. Air Cond. | | 2814128 | 1 |
| | BRACE (Bosch) | 253, 308 Eng. | | 2811893 | 1 |
| | BRACE – Front | 350 Eng. | | (¹⁸ 3932410 | 1 |
| | BRACE – Front | 350 Eng. | | (¹⁸ 6262956 | 1 |
| 2.332 | BATTERY | | | | |
| | BATTERY – 48 amp. hour | 173, 202, 253, 308 Eng. | | 12HD48AHP | 1 |
| | BATTERY – 61 amp. hour | ALL | | 12HD61AHP | 1 |
| 2.333 | SUPPORT – Battery | | | | |
| | SUPPORT | ALL | | 2814059 | 1 |
| | NUT – 3/8" – 18 'J' type | ALL | | SP1548 | 2 |
| | RETAINER | ALL | | 7434165 | 1 |
| | PLATE – Retainer lock | ALL | | 7420476 | 2 |
| | BOLT – Mounting | ALL | | 2814060 | 2 |
| | NUT – Wing 1/4" – 20 | ALL | | 7077093 | 2 |
| 2.341 | CABLE ASSEMBLY – Battery ground | | | | |
| | CABLE ASSEMBLY | 173, 202 Eng. | | 2814150 | 1 |
| | CABLE ASSEMBLY | 253, 308 Eng. exc. Air Cond. | | 2822162 | 1 |
| | CABLE ASSEMBLY | 253, 308 Eng. Air Cond. | | 2814150 | 1 |
| | CABLE ASSEMBLY | 350 Eng. | | 2814150 | 1 |
| | CLIP – Cable to air compressor | 253, 308 Eng. Air Cond. | | SP2295 | 1 |
| | CLIP – Cable to water pump LH bolt | 350 Eng. | | SP1795 | 1 |
| | CLIP – Ground cable to starter cable | 350 Eng. Air Cond. Power Steering | | SP2012 | 1 |
| 2.342 | CABLE ASSEMBLY – Starter | | | | |
| | CABLE ASSEMBLY | 173, 202 Eng. exc. Air Cond. | | (⁴ 2814145 | 1 |
| | CABLE ASSEMBLY | 173, 202 Eng. exc. Air Cond. | | (⁴ 2814148 | 1 |
| | CABLE ASSEMBLY | 173, 202 Eng. Air Cond. | | (⁴ 2820549 | 1 |
| | CABLE ASSEMBLY | 173, 202 Eng. Air Cond. | | (⁴ 2822508 | 1 |
| | CABLE ASSEMBLY | 253, 308 Eng. | | (⁴ 2814147 | 1 |
| | CABLE ASSEMBLY | 253, 308 Eng. | | (⁴ 2815243 | 1 |
| | CABLE ASSEMBLY | 350 Eng. | | (⁴ 2817791 | 1 |
| | CABLE ASSEMBLY | 350 Eng. | | (⁴ 2814148 | 1 |
| | CLIP – Cable to fender skirt | 253, 308 Eng. | | SP1778 | 1 |
| | CLIP – Cable to fuel pump | 350 Eng. | | SP1795 | 1 |

Note: (⁴ Except when combined Fuel-Ammeter, Temp.-Oil Gauges are fitted.
(⁴ Use when combined Fuel-Ammeter, Temp.-Oil Gauges are fitted.
(¹² Casting No. 3973469 on the top rear surface of Inlet Manifold.
(¹⁸ Casting No. 6263751 on the top rear surface of Inlet Manifold.

"HQ" PARTS CATALOGUE

| GROUP | DESCRIPTION | MODEL | SIDE | PART No. | QTY. |
|--------------|--|------------------------------|------|----------|------|
| 2.342 | CABLE ASSEMBLY – Starter (contd.) | | | | |
| | CLIP - Cable to oil pan | 350 Eng. | | SP1796 | 1 |
| | CLIP - Cable to water pump RH bolt | 350 Eng. | | SP2052 | 1 |
| | SPACER - Clip to water pump | 350 Eng. | | 2818222 | 1 |
| | CLIP - Cable to water pump | 350 Eng. | | SP2052 | 1 |
| | CLIP - Cable to compressor bracket | 350 Eng. Air Cond. | | SP2052 | 1 |
| 2.361 | DISTRIBUTOR ASSEMBLY | | | | |
| | DISTRIBUTOR ASSEMBLY(Bosch) | 173, 202 Eng. | | 2820111 | 1 |
| | DISTRIBUTOR ASSEMBLY(Lucas) | 173, 202 Eng. | | 2817884 | 1 |
| | DISTRIBUTOR ASSEMBLY(Bosch) | 253 Eng. | | 7434981 | 1 |
| | DISTRIBUTOR ASSEMBLY(Bosch) | 308 Eng. | | 2807236 | 1 |
| | DISTRIBUTOR ASSEMBLY(Delco Remy) | 350 Eng. | | 1111500 | 1 |
| 2.362 | HOUSING, GASKET, SEAL – Distributor | | | | |
| | BUSHING(Bosch) | 173, 202 Eng. | | VS10841 | 2 |
| | FELT(Bosch) | 173, 202 Eng. | | VS10845 | 1 |
| | BUSHING - Housing(Lucas) | 173, 202 Eng. | | VS12347 | 2 |
| | FELT(Lucas) | 173, 202 Eng. | | VS12348 | 1 |
| | FELT | 253, 308 Eng. | | VS10844 | 1 |
| | BUSHING - Housing | 253, 308 Eng. | | VS10842 | 2 |
| | GASKET | 173, 202 Eng. | | 6256636 | 1 |
| | HOUSING | 350 Eng. | | 1966407 | 1 |
| | GASKET | 253, 308 Eng. | | 7434855 | 1 |
| | SEAL | 350 Eng. | | 1950569 | 1 |
| 2.364 | WICK – Distributor | | | | |
| | WICK(Bosch) | 173, 202, 253, 308 Eng. | | VS10210 | 1 |
| | WICK | 350 Eng. | | 1949084 | 1 |
| | RETAINER - Wick | 350 Eng. | | 1935621 | 1 |
| 2.367 | CAP – Distributor | | | | |
| | CAP(Bosch) | 173, 202 Eng. | | VS10866 | 1 |
| | CAP(Lucas) | 173, 202 Eng. | | 7428968 | 1 |
| | CAP(Bosch) | 253, 308 Eng. | | VS10867 | 1 |
| | CAP | 350 Eng. | | 1971244 | 1 |
| 2.368 | SPRING – Distributor cap | | | | |
| | SPRING(Bosch) | 173, 202, 253, 308 Eng. | | VS10868 | 2 |
| | CLIP - Retaining(Lucas) | 173, 202 Eng. | | 7428982 | 2 |
| 2.370 | BRUSH – Distributor cap | | | | |
| | BRUSH(Bosch) | 173, 202, 253, 308 Eng. | | 7405562 | 1 |
| | BRUSH ASSEMBLY(Lucas) | 173, 202 Eng. | | 1018694 | 1 |
| | BRUSH | 350 Eng. | | 1938193 | 1 |
| 2.372 | SHAFT – Distributor | | | | |
| | SHAFT(Bosch) | 173, 202 Eng. | | VS10202 | 1 |
| | SHAFT - With weight plate(Lucas) | 173, 202 Eng. | | VS12345 | 1 |
| | SHAFT(Bosch) | 253, 308 Eng. | | VS10849 | 1 |
| | WASHER - Thrust fibre - upper and lower(Bosch) | 173, 202, 253, 308 Eng. | | 7424746 | 2 |
| | SHIM - Thrust 0.1 mm - upper and lower(Bosch) | 173, 202, 253, 308 Eng. | | 7405613 | A.R. |
| | SHIM - Thrust 0.2 mm - upper and lower(Bosch) | 173, 202, 253, 308 Eng. | | 7405615 | A.R. |
| | SHIM - Thrust 0.3 mm - upper and lower(Bosch) | 173, 202, 253, 308 Eng. | | 7405614 | A.R. |
| | SHAFT | 350 Eng. | | 1967196 | 1 |
| 2.374 | GEAR PACKAGE, GEAR – Distributor | | | | |
| | GEAR PACKAGE - Steel | 173, 202 Eng. | | 7423613 | 1 |
| | GEAR PACKAGE - Nylon | 173, 202 Eng. | | VS12353 | 1 |
| | GEAR PACKAGE(Lucas) | 253, 308 Eng. | | M37137 | 1 |
| | GEAR | 350 Eng. | | 1958599 | 1 |

"HQ" PARTS CATALOGUE

| GROUP | DESCRIPTION | MODEL | SIDE | PART No. | QTY. |
|--------------|--|------------------------------|------|----------|------|
| 2.379 | PIN – Distributor gear | | | | |
| | PIN – Slotted spring (Bosch) | 173, 202, 253, 308 Eng. | | VS10855 | 1 |
| | PIN | 350 Eng. | | 456652 | 1 |
| | SPACER | 350 Eng. | | 1837617 | 1 |
| | WASHER – Tang | 350 Eng. | | 1965864 | 1 |
| 2.381 | CAM – Distributor | | | | |
| | CAM (Bosch) | 173, 202 Eng. | | VS12012 | 1 |
| | CAM (Bosch) | 253 Eng. | | VS10854 | 1 |
| | CAM (Bosch) | 308 Eng. | | VS10988 | 1 |
| | RING – Cam spacer (Bosch) | 173, 202, 253, 308 Eng. | | VS10211 | 1 |
| | WASHER – Cam retainer (Bosch) | 173, 202, 253, 308 Eng. | | VS10203 | 1 |
| | CIRCLIP – Cam retainer (Bosch) | 173, 202, 253, 308 Eng. | | VS10204 | 1 |
| | CAM ASSEMBLY (Lucas) | 173, 202 Eng. | | VS10306 | 1 |
| | CIRCLIP – Cam retaining (Lucas) | 173, 202 Eng. | | VS12343 | 1 |
| | CAM | 350 Eng. | | 1938116 | 1 |
| 2.382 | ROTOR – Distributor | | | | |
| | ROTOR (Bosch) | 173, 202 Eng. | | 7424753 | 1 |
| | ROTOR (Lucas) | 173, 202 Eng. | | 7428969 | 1 |
| | ROTOR (Bosch) | 253, 308 Eng. | | VS10865 | 1 |
| | ROTOR | 350 Eng. | | 1971247 | 1 |
| 2.384 | CONTACT SET – Distributor | | | | |
| | CONTACT SET (Bosch) | 173, 202, 253, 308 Eng. | | VS10858 | 1 |
| | CONTACT SET (Lucas) | 173, 202 Eng. | | 7139364 | 1 |
| | CONTACT SET | 350 Eng. | | 1931988 | 1 |
| 2.385 | PLATE – Distributor breaker | | | | |
| | PLATE & SUPPORT ASSY. (Bosch) | 173, 202 Eng. | | VS10856 | 1 |
| | PLATE & CONTACT BREAKER ASSY. (Bosch) | 253, 308 Eng. | | VS10857 | 1 |
| | SCREW – Plate support (Bosch) | 173, 202 Eng. | | VS10861 | 2 |
| | SCREW – Plate support (Bosch) | 253, 308 Eng. | | VS10847 | 2 |
| | WASHER – Support screw lock (Bosch) | 173, 202 Eng. | | VS10992 | 2 |
| | BALL – Plate retaining (Bosch) | 173, 202, 253, 308 Eng. | | 7406742 | 1 |
| | RETAINER – Plate ball (Bosch) | 173, 202, 253, 308 Eng. | | VS10863 | 1 |
| | PLATE – Breaker base (Lucas) | 173, 202 Eng. | | VS12352 | 1 |
| | PLATE – Breaker bearing (Lucas) | 173, 202 Eng. | | 7428972 | 1 |
| | PLATE – Breaker | 350 Eng. | | 1962141 | 1 |
| | SLEEVE – Spring post (rubber) Suit Dist. 1111150 | 350 Eng. | | 1945548 | 1 |
| | SLEEVE – Spring post (rubber) Suit Dist. 1111500 | 350 Eng. | | 1961234 | 1 |
| | WASHER – Felt | 350 Eng. | | 1951099 | 1 |
| | SPRING – Breaker plate retainer | 350 Eng. | | 1932024 | 1 |
| 2.387 | SCREW – Distributor | | | | |
| | SCREW – Contact breaker (Bosch) | 173, 202, 253, 308 Eng. | | 7424749 | 1 |
| | WASHER – Plain (Bosch) | 173, 202, 253, 308 Eng. | | 7406900 | 1 |
| | WASHER – Screw lock (Bosch) | 173, 202, 253, 308 Eng. | | 7406323 | 1 |
| | SCREW – Contact breaker | 350 Eng. | | 1938527 | 2 |
| 2.388 | WEIGHT – Distributor | | | | |
| | WEIGHT (Bosch) | 173, 202, 253, 308 Eng. | | VS10205 | 2 |
| | WASHER – Weight spacer (Bosch) | 173, 202, 253, 308 Eng. | | VS10206 | 2 |
| | WEIGHT (Lucas) | 173, 202 Eng. | | 7428980 | 2 |
| | WEIGHT | 350 Eng. | | 1881371 | 2 |
| 2.389 | SPRING – Distributor weight | | | | |
| | SPRING – Light (Bosch) | 173, 202 Eng. | | VS11737 | 1 |
| | SPRING – Heavy (Bosch) | 173, 202 Eng. | | VS11738 | 1 |
| | SPRING SET (Lucas) | 173, 202 Eng. | | VS12351 | 1 |
| | SPRING – Light (Bosch) | 253 Eng. | | VS10853 | 1 |

"HQ" PARTS CATALOGUE

| GROUP | DESCRIPTION | MODEL | SIDE | PART No. | QTY. |
|--------------|--|------------------------------|------|----------|------|
| 2.389 | SPRING – Distributor weight (contd.) | | | | |
| | SPRING – Heavy (Bosch) | 253 Eng. | | VS10852 | 1 |
| | SPRING – Light (Bosch) | 308 Eng. | | VS10851 | 1 |
| | SPRING – Heavy (Bosch) | 308 Eng. | | VS10986 | 1 |
| | SPRING (Bosch) | 350 Eng. | | 1908587 | 2 |
| 2.393 | CONDENSER | | | | |
| | CONDENSER (Bosch) | 173, 202 Eng. | | VS10845 | 1 |
| | CONDENSER (Lucas) | 173, 202 Eng. | | 7428970 | 1 |
| | CONDENSER (Bosch) | 253, 308 Eng. | | VS10846 | 1 |
| | SCREW & WASHER – Attaching (Bosch) | 173, 202, 253, 308 Eng. | | VS10982 | 1 |
| | CONDENSER (Bosch) | 350 Eng. | | 1932004 | 1 |
| | BRACKET (Bosch) | 350 Eng. | | 1869573 | 1 |
| | SCREW – Attaching (Bosch) | 350 Eng. | | 453647 | 1 |
| 2.400 | LEAD – Distributor terminal | | | | |
| | LEAD ASSEMBLY – Low tension (Lucas) | 173, 202 Eng. | | VS10305 | 1 |
| | LEAD ASSEMBLY – Earth (Lucas) | 173, 202 Eng. | | VS12346 | 1 |
| | LEAD – To coil (Lucas) | 350 Eng. | | 1942518 | 1 |
| | LEAD – Ground (Lucas) | 350 Eng. | | 1932002 | 1 |
| 2.401 | GROMMET – Distributor to coil lead | | | | |
| | GROMMET (Lucas) | 350 Eng. | | 1932023 | 1 |
| 2.410 | VACUUM CONTROL ASSEMBLY – Distributor | | | | |
| | VACUUM CONTROL ASSY. (Bosch) | 173, 202 Eng. | | VS10869 | 1 |
| | VACUUM CONTROL ASSY. (Lucas) | 173, 202 Eng. | | VS12340 | 1 |
| | VACUUM CONTROL ASSY. (Bosch) | 253 Eng. | | VS10870 | 1 |
| | VACUUM CONTROL ASSY. (Bosch) | 308 Eng. | | VS11002 | 1 |
| | SCREW & WASHER – Attaching (Bosch) | 173, 202, 253, 308 Eng. | | VS10982 | 1 |
| | CLIP – Rod attaching (Bosch) | 173, 202, 253, 308 Eng. | | 7405638 | 1 |
| | VACUUM CONTROL ASSY. (Bosch) | 350 Eng. | | 1116163 | 1 |
| 2.414 | CLAMP, RETAINER – Distributor | | | | |
| | CLAMP (Bosch) | 173, 202 Eng. | | 7421939 | 1 |
| | CLAMP (Bosch) | 253, 308 Eng. | | 7434751 | 1 |
| | RETAINER (Bosch) | 173, 202 Eng. | | 3770598 | 1 |
| 2.424 | PIPE ASSEMBLY, HOSE – Spark control | | | | |
| | PIPE – Flexible (Bosch) | 173, 202 Eng. | | 7421070 | 1 |
| | PIPE ASSEMBLY (Bosch) | 173, 202 Eng. | | 7426212 | 1 |
| | HOSE (Bosch) | 253 Eng. | | 7436713 | 1 |
| | HOSE (Bosch) | 308 Eng. | | 2807752 | 1 |
| | HOSE – Distributor end (Bosch) | 350 Eng. | | 3973324 | 1 |
| | CLIP (Bosch) | 173, 202 Eng. | | 599119 | 2 |
| | CLIP (Bosch) | 350 Eng. | | 3991412 | 1 |
| | PIPE (Bosch) | 350 Eng. | | 3883220 | 1 |
| | Hose – $\frac{7}{32}$ " dia. (Bosch) | 350 Eng. | | 3785770 | 1 |
| | CLIP – Pipe (Bosch) | 350 Eng. | | 3931078 | 1 |
| 2.447 | SWITCH ASSEMBLY – Stop light | | | | |
| | SWITCH ASSEMBLY (Bosch) | ALL (Bosch) | | 2813385 | 1 |
| | NUT – Switch attaching (Bosch) | ALL (Bosch) | | 858388 | 2 |
| 2.459 | SWITCH ASSEMBLY – Dimmer | | | | |
| | SWITCH ASSEMBLY (Bosch) | ALL (Bosch) | | 1997037 | 1 |

"HQ" PARTS CATALOGUE

| GROUP | DESCRIPTION | MODEL | SIDE | PART No. | QTY. |
|--------------|---|-----------|------|----------|------|
| 2.481 | PANEL, COVER, FUSE – Fuse panel | | | | |
| | PANEL – Instrument harness fuse | ALL | | 2814924 | 1 |
| | COVER – Fuse panel | ALL | | 2816662 | 1 |
| | NUT | ALL | | SP2101 | 2 |
| | SCREW | ALL | | SP2058 | 2 |
| | FUSE – 15 amp | ALL | | 9426333 | A.R. |
| 2.485 | SWITCH ASSEMBLY – Lighting | | | | |
| | SWITCH ASSEMBLY | ALL | | 2820209 | 1 |
| 2.486 | ROD ASSEMBLY – Lighting switch control | | | | |
| | ROD ASSEMBLY | ALL | | 2814733 | 1 |
| 2.487 | BUSHING ASSEMBLY – Lighting switch | | | | |
| | BUSHING ASSEMBLY | ALL | | 7416237 | 1 |
| 2.500 | REGULATOR ASSEMBLY – Voltage and current | | | | |
| | REGULATOR ASSEMBLY | ALL | | 7430879 | 1 |
| | REGULATOR ASSEMBLY | ALL | | 2819155 | 1 |
| | SCREW – Regulaior to LH radiator side support | ALL | | SP2330 | 1 |

2.515 GAUGE ASSEMBLY, WARNING LAMP ASSEMBLY, FACIA – Instrument

Five basic types of instrument lay-out, which can be identified by the style and sequence of fitment of the various units, are fitted on the 'HQ' Series. See illustration Page No. 87.

- TYPE 1.** Fuel Gauge and Warning Lamp Unit, Emblem, Speedometer Unit.
- TYPE 2.** Tachometer and Warning Lamp Unit, Fuel Gauge, Speedometer Unit.
- TYPE 3.** Fuel, Oil and Temperature Gauge Unit, Emblem, Speedometer Unit.
- TYPE 4.** Oil and Fuel Gauge Unit. Tachometer Unit, Emblem, Speedometer Unit, Ammeter and Temperature Gauge Unit.
- TYPE 5.** Oil Gauge Unit, Fuel Gauge and Warning Lamp Unit, Clock, Speedometer Unit, Temperature Gauge Unit.

| COMPONENT | MODEL | TYPE 1 | TYPE 2 | TYPE 3 | TYPE 4 | TYPE 5 |
|---|--|---------|---------|---------|---------|---------|
| BULB – Indicator & Illumination | | 9421330 | 9421330 | 9421330 | 9421330 | 9421330 |
| BUMPER – Carrier | | 2814908 | 2814908 | 2814908 | 2814908 | 2814908 |
| BRACKET – Closing panel | | 2814907 | 2814907 | 2814907 | 2814907 | 2814907 |
| SCREW – Pan. hd. ¼" – 20 x .625 | | SP2168 | SP2168 | SP2168 | SP2168 | SP2168 |
| NUT – Spring ¼" – 20 | | SP2024 | SP2024 | SP2024 | SP2024 | SP2024 |
| CARRIER – Instrument | | 2814671 | 2814671 | 2814671 | 2814671 | 2814671 |
| BOLT – Hex. hd. ¼" – 20 x .875 | | SP2279 | SP2279 | SP2279 | SP2279 | SP2279 |
| BOLT – Hex. hd. ¼" – 20 x .875 | | SP2483 | SP2483 | SP2483 | SP2483 | SP2483 |
| NUT – Spring ¼" – 20 'J' type | | SP2024 | SP2024 | SP2024 | SP2024 | SP2024 |
| NUT – Spring ¼" – 20 'J' type | | SP2398 | SP2398 | SP2398 | SP2398 | SP2398 |
| NUT – Hex. ¼" – 20 | | 9419143 | 9419143 | 9419143 | 9419143 | 9419143 |
| CLOCK | | | | | | 2815734 |
| CLOCK PACKAGE | | 2822830 | | 2822830 | 2822830 | |
| CASE – Clock | | VS11900 | | VS11900 | VS11900 | VS11900 |
| LENS – Clock | | VS11901 | | VS11901 | VS11901 | VS11901 |
| MOVEMENT ASSY. – Clock | | VS11899 | | VS11899 | VS11899 | VS11899 |
| SERVICE KIT – Clock | | VS11902 | | VS11902 | VS11902 | VS11902 |
| SCREW – Clock to carrier (usage 2) | | SP1768 | | SP1768 | SP1768 | SP1768 |
| SCREW – Clock to carrier (usage 1) | | 163158 | | 163158 | 163158 | 163158 |
| COVER – Choke control opening | | 2820592 | 2820592 | 2820592 | 2820592 | 2820592 |
| COVER – Vent control opening – Air Cond. (usage 2) | | 2820592 | 2820592 | 2820592 | 2820592 | 2820592 |
| EMBLEM – Exc. Statesman | | 2815733 | | 2815733 | 2815733 | |
| EMBLEM – Statesman | | 2823206 | | 2823206 | 2823206 | |
| FACIA – (M) | Chassis & Cab, Belmont, exc. SS | 2815982 | 2815982 | 2815982 | | |
| FACIA – (M) | K/wood, Monaro exc. G.T.S., L.S., SS | 2822664 | 2822664 | 2822664 | | |
| FACIA – (A) Console shift | K/wood, Monaro exc. G.T.S., L.S., SS | 2822664 | 2822664 | 2822664 | | |
| FACIA – (A) Column shift | Chassis & Cab, Belmont, exc. SS | 2815983 | 2815983 | 2815983 | | |
| FACIA – (A) Column shift | K/wood, Monaro, exc. G.T.S., L.S., SS | 2822665 | 2822665 | 2822665 | | |
| FACIA – (M) | Chas. & Cab, B/mont, K/wood, Monaro exc. L.S. | | | | 2815985 | |
| FACIA – (A) Console shift | Belmont, K/wood, Monaro exc. L.S. | | | | 2815985 | |
| FACIA – (A) Column shift | Chas. & Cab, B/mont, K/wood, Monaro exc. L.S. | | | | 2815986 | |
| FACIA – (M) | Premier, Statesman, L.S. | 2817792 | 2817792 | 2817792 | | |
| FACIA – (A) Console shift | Premier, Statesman, L.S. | 2817792 | 2817792 | 2817792 | | |
| FACIA – (A) Column shift | Premier, Statesman, L.S. | 2815984 | 2815984 | 2815984 | | |
| FACIA – (M) | Premier, Statesman, L.S. | | | | 2820159 | |
| FACIA – (A) Console shift | Premier, Statesman, L.S. | | | | 2820159 | 2820159 |
| FACIA – (A) Column shift | Premier, Statesman, L.S. | | | | 2817793 | 2817793 |
| SCREW – Facia to carrier | | SP1768 | SP1768 | SP1768 | SP1768 | SP1768 |
| GAUGE ASSY. – Fuel (V.D.O.) | | 2815749 | 2815204 | | | 2815749 |
| GAUGE – Less case – Fuel (V.D.O.) | | VS12102 | | | | VS12102 |
| CASE & LENS – Fuel gauge (V.D.O.) | | VS12101 | | | | VS12101 |
| CASE – Fuel gauge (Flexdrive) | | VS11904 | | | | VS11904 |
| COVER – Fuel gauge (Flexdrive) | | VS11907 | | | | VS11907 |
| GAUGE – Fuel (Flexdrive) | | VS11906 | | | | VS11906 |
| LENS – Fuel gauge (Flexdrive) | | VS11897 | | | | VS11897 |
| LENS – Oil, temp. & gen. warning (Flexdrive) | | VS11910 | | | | VS11910 |
| SERVICE KIT – Fuel gauge (Flexdrive) | | VS11908 | | | | VS11908 |
| GAUGE ASSY. – Fuel, oil & temp. | | | | 2815738 | | |

2.515 GAUGE ASSEMBLY, WARNING LAMP ASSEMBLY, FACIA – Instrument (contd.)

| COMPONENT | MODEL | TYPE 1 | TYPE 2 | TYPE 3 | TYPE 4 | TYPE 5 |
|--|-------|---------|---------|-------------------------|-------------------------|-------------------------|
| GAUGE ASSY. – Fuel, oil & temp. | | | | 9931611 | | |
| GAUGE – Less case – Fuel oil & temp. | | | | (³⁸ VS12104 | | |
| CASE & LENS – Fuel, oil & temp. gauge | | | | (³⁹ VS12103 | | |
| GAUGE ASSY. – Fuel & oil | | | | | (³⁸ 2815736 | |
| GAUGE ASSY. – Fuel & oil | | | | | (³⁹ 9931612 | |
| GAUGE – Less case – Fuel & oil | | | | | VS12106 | |
| CASE & LENS – Fuel & oil gauge | | | | | VS12105 | |
| GAUGE ASSY. – Ammeter & temp. | | | | | (³⁸ 2815737 | |
| GAUGE ASSY. – Ammeter & temp. | | | | | (³⁹ 9931613 | |
| GAUGE – Less case – Ammeter & temp. | | | | | VS12107 | |
| CASE & LENS – Ammeter & temp. gauge | | | | | VS12105 | |
| GAUGE ASSY. – Oil | | | | | | (³⁸ 2817771 |
| GAUGE ASSY. – Oil | | | | | | (³⁹ 9931591 |
| GAUGE – Less case – Oil | | | | | | VS12109 |
| CASE & LENS – Oil gauge | | | | | | VS12105 |
| GAUGE ASSY. – Temperature | | | | | | (³⁸ 2817770 |
| GAUGE ASSY. – Temperature | | | | | | (³⁹ 9931590 |
| GAUGE – Less case – Temp. | | | | | | VS12108 |
| CASE & LENS – Temp. gauge | | | | | | VS12105 |
| SCREW – Gauges to carrier | | SP1768 | SP1768 | SP1768 | SP1768 | SP1768 |
| HOUSING – Instrument illumination | | 2817249 | 2817249 | 2817249 | 2817249 | 2817249 |
| SCREW – Housing to surround | | SP1884 | SP1884 | SP1884 | SP1884 | SP1884 |
| HOUSING & LENS – Illum. (usage 2) | | 2820153 | 2820153 | 2820153 | 2820153 | 2820153 |
| HOUSING & LENS – Illum. (usage 2) | | 2820154 | 2820154 | 2820154 | 2820154 | 2820154 |
| SCREW – Housing | | 273708 | 273708 | 273708 | 273708 | 273708 |
| SCREW – Lens | | SP2202 | SP2202 | SP2202 | SP2202 | SP2202 |
| PANEL – Facia closing | | 2816913 | 2816913 | 2816913 | 2816913 | 2816913 |
| SCREW – Pan. hd. No. 10 – 24 x 1/8" | | SP2165 | SP2165 | SP2165 | SP2165 | SP2165 |
| SCREW – Pan. hd. 1/4" – 20 x .625" | | SP2168 | SP2168 | SP2168 | SP2168 | SP2168 |
| NUT – Spring 1/4" – 20 | | SP2024 | SP2024 | SP2024 | SP2024 | SP2024 |
| PLATE – 'Kingswood' name | | 2822657 | 2822657 | 2822657 | | |
| PLATE – 'Monaro' name | | 2822658 | 2822658 | 2822658 | | |
| PLATE – 'Premier' name | | 2817020 | 2817020 | 2817020 | | |
| PLATE – 'Monaro L.S.' name | | 2818199 | 2818199 | 2818199 | | |
| PLATE – 'Statesman' name | | 2816808 | 2816808 | 2816808 | | |
| SPEEDO. ASSY. – British units (M.P.H.) | | 2815729 | 2815729 | 2815729 | 2815730 | 2185729 |
| SPEEDO. – Less case – M.P.H. (V.D.O.) | | VS12099 | VS12099 | VS12099 | | VS12099 |
| SPEEDO. – Less case – M.P.H. (F'Drive) | | VS11889 | VS11889 | VS11889 | VS11890 | VS11889 |
| CASE & LENS – Speedo. – M.P.H. (V.D.O.) .. | | VS12097 | VS12097 | VS12097 | | VS12097 |
| CASE – Speedo. – M.P.H. (Flexdrive) | | VS11896 | VS11896 | VS11896 | VS11896 | VS11896 |
| CLIP – Speedo. odometer – M.P.H. (F'Drive) | | VS10085 | VS10085 | VS10085 | VS10085 | VS10085 |
| COVER – Speedo. – M.P.H. (Flexdrive) | | VS11898 | VS11898 | VS11898 | VS11898 | VS11898 |
| DIAL – Speedo. – M.P.H. (Flexdrive) | | VS11891 | VS11891 | VS11891 | VS11891 | VS11891 |
| LENS – Speedo. – M.P.H. (Flexdrive) | | VS11897 | VS11897 | VS11897 | VS11897 | VS11897 |
| LENS – Brake warning (Flexdrive) | | VS11909 | VS11909 | VS11909 | VS11909 | VS11909 |
| ODOMETER – Speedo. – M.P.H. (F'Drive) ... | | VS10084 | VS10084 | VS10084 | VS10084 | VS10084 |
| POINTER – Speedo. – M.P.H. (F'Drive) | | VS11893 | VS11893 | VS11893 | VS11894 | VS11893 |
| SERVICE KIT – Speedo. – M.P.H. (F'Drive) .. | | VS11895 | VS11895 | VS11895 | VS11895 | VS11895 |
| SPEEDO. ASSY. – Metric units – K.P.H. | | 2829819 | 2829819 | 2829819 | 2829819 | 2829819 |
| SPEEDO. – Less case – K.P.H. | | VS12100 | VS12100 | VS12100 | VS12100 | VS12100 |
| CASE & LENS – Speedo. – K.P.H. | | VS12097 | VS12097 | VS12097 | VS12097 | VS12097 |
| STRAP – Illumination earth | | 2817848 | 2817848 | 2817848 | 2817848 | 2817848 |
| SURROUND – Instrument panel | | 2815981 | 2815981 | 2815981 | 2815981 | 2815981 |
| SCREW – Surround to carrier | | SP1768 | SP1768 | SP1768 | SP1768 | SP1768 |
| TACHOMETER | | | 2815735 | | 2815735 | |
| CASE – Tachometer | | | VS11904 | | VS11904 | |
| LENS – Tachometer | | | VS11897 | | VS11897 | |
| LENS – Oil, temp. & gen. warning | | | VS11910 | | VS11910 | |
| POINTER & COVER ASSY. – Tachometer ... | | | VS11903 | | VS11903 | |
| SERVICE KIT – Tachometer | | | VS11905 | | VS11905 | |

Note: (³⁸ Prior to A.D.R. 18.

Note: (³⁹ With A.D.R. 18.

"HQ" PARTS CATALOGUE

| GROUP | DESCRIPTION | MODEL | SIDE | PART No. | QTY. |
|--------------|--|--|------|----------|------|
| 2.520 | TACHOMETER PACKAGE, LEAD ASSEMBLY – Tachometer | | | | |
| | TACHOMETER CONVERSION PACKAGE | Converts Type 1 to Type 2 | | | |
| | | Refer group 2.515 | | 2822923 | 1 |
| | LEAD ASSEMBLY – Ignition to connector | 173, 202 Eng. | | 2817535 | 1 |
| | LEAD ASSEMBLY – Ignition to connector | 253, 308 Eng. | | 2817536 | 1 |
| | LEAD ASSEMBLY – Connector to tachometer | 173, 202, 253, 308 Eng. exc. GTS | | 2817254 | 1 |
| | BODY – 2 way female connector | 173, 202, 253, 308 Eng. exc. GTS | | 2962551 | 2 |
| 2.555 | HARNES ASSEMBLY – Instrument | | | | |
| | INSTRUMENT HARNES | | | | |
| | HARNES ASSEMBLY – (* Type 1 & 2 | (M) | | 2823068 | 1 |
| | HARNES ASSEMBLY – (* Type 1 & 2 | (A) | | 2823071 | 1 |
| | HARNES ASSEMBLY – (* Type 3 | (M) | | 3426512 | 1 |
| | HARNES ASSEMBLY – (* Type 3 | (A) | | 3426513 | 1 |
| | HARNES ASSEMBLY – (* Type 4 | (M) | | 2823067 | 1 |
| | HARNES ASSEMBLY – (* Type 4 | (A) | | 2823070 | 1 |
| | HARNES ASSEMBLY – (* Type 5 | ALL | | 2823069 | 1 |
| | LEAD ASSEMBLY – Generator to starter motor | 6 Cyl. Eng. | | 2825620 | 1 |
| | LEAD ASSEMBLY – Generator ground | 6 Cyl. Eng. | | 7433003 | 1 |
| | BODY – Dash connector | ALL | | 2815532 | 1 |
| | BODY – Single panel connector (Short) | ALL | | 2962448 | A.R. |
| | BODY – Single button contact connector (Gauges) | ALL | | 2962965 | 1 |
| | BODY – Single type connector (Clock lead) | ALL | | 6294142 | 1 |
| | BODY – 2 way female connector (*T' section) | ALL | | 2962551 | A.R. |
| | BODY – 2 way female connector (Parallel section) | ALL | | 2962967 | 1 |
| | BODY – 2 way female connector | ALL | | 2973407 | 1 |
| | BODY – 2 way female connector | ALL | | 2962679 | 1 |
| | BODY – Lock type connector | ALL | | 2984164 | 1 |
| | BODY – 3 way female connector | ALL | | 2962449 | A.R. |
| | BODY – Flasher connector | ALL | | 2962910 | 1 |
| | BODY – 4 way connector | ALL | | 2813907 | 1 |
| | BODY – 6 way female connector | ALL | | 6294643 | 1 |
| | BODY – 8 way female connector | ALL | | 2984169 | 1 |
| | BODY – 11 way female connector | ALL | | 6294509 | 2 |
| | BODY – 11 way male connector | ALL | | 2815954 | 1 |
| | CLIP – Harness to carrier | ALL | | 7418449 | 1 |
| | CLIP – Harness | ALL | | 7432906 | 1 |
| | GASKET – Connector body | ALL | | 2811787 | 1 |
| | NUT – Dash connector body retaining | ALL | | SP2296 | 1 |
| | HOLDER – Bulb, 3 way | ALL | | 2815798 | 2 |
| | SOCKET – Bulb | ALL | | 2815952 | 7 |
| | TERMINAL – Bulb holder | ALL | | 6294684 | 4 |
| | TERMINAL – Clock lead | ALL | | 2962915 | 1 |
| 2.555 | HARNES ASSEMBLY – Engine | | | | |
| | HARNES ASSEMBLY | 173, 202 Eng. | | 2816299 | 1 |
| | HARNES ASSEMBLY | 253, 308 Eng. | | 2816300 | 1 |
| | HARNES ASSEMBLY | 350 Eng. | | 2816898 | 1 |
| | BODY – Single panel connector (Short) | ALL | | 2962448 | 1 |
| | BODY – Single female connector | 350 Eng. | | 2962965 | 1 |
| | BODY – 2 way female connector (*T' section) | ALL | | 2962551 | 1 |
| | BODY – 3 way female connector | Exc. Belmont, Kingswood | | 2962449 | 1 |
| | BODY – 17 mixed male connector | ALL | | 8900460 | 1 |
| | RETAINER – Male connector | ALL | | 6294288 | 1 |
| | LINK – Fusible | ALL | | 7449910 | 1 |
| | CLIP – Harness & washer hose | | | | |
| | to dash panel | ALL | | 2818034 | 4 |
| | CLIP – Harness to generator | 350 Eng. | | SP1849 | 1 |
| | CLIP – Harness to starter solenoid | 350 Eng. | | 328289 | 1 |
| | CLIP – Harness to battery tray | ALL | | 7175429 | 1 |
| | CLIP – Harness to rocker cover | 173, 202 Eng. | | 7413032 | 2 |
| | CLIP – Harness to LH rocker cover | 253, 308 Eng. | | 7413032 | 2 |
| | CLIP – Harness to LH rocker cover | 350 Eng. | | 7400842 | 1 |

Note: (* Refer Group 2.515 for Type No. Identification.

"HQ" PARTS CATALOGUE

| GROUP | DESCRIPTION | MODEL | SIDE | PART No. | QTY. |
|--------------|--|-------------------------------|------|-------------------------|------|
| 2.555 | HARNES ASSEMBLY – Engine (contd.) | | | | |
| | CLIP – Harness to RH rocker cover | 350 Eng. | | 7414620 | 1 |
| | CLIP – Harness to dash panel | ALL | | 7413370 | 1 |
| | CLIP – Harness to dash panel | ALL | | 7413032 | 1 |
| | CLIP – Harness to fender skirt | ALL | | SP1498 | 1 |
| | CLIP – Harness to control arm bracket | 253, 308 Eng. | | SP1498 | 1 |
| | CLIP – Harness to fender | 173, 202 Eng. | | SP1778 | 1 |
| 2.555 | HARNES ASSEMBLY – Lighting | | | | |
| | HARNES ASSEMBLY | Exc. Premier, Statesman | | (¹⁴ 2816304 | 1 |
| | HARNES ASSEMBLY | Exc. Premier, Statesman | | (¹⁵ 2823854 | 1 |
| | HARNES ASSEMBLY | Premier, Statesman | | (¹⁴ 2816305 | 1 |
| | HARNES ASSEMBLY | Premier, Statesman | | (¹⁵ 2824148 | 1 |
| | BODY ASSEMBLY | ALL | | (¹⁵ 2824076 | 2 |
| | BODY – Single panel connector (Short) | ALL | | 2962448 | A.R. |
| | BODY – 2 way female connector ('T' section) | ALL | | (¹⁴ 2962551 | A.R. |
| | BODY – 4 way female connector | ALL | | 2962969 | 1 |
| | BODY – 2 way connector (Black 1/8" O.L.) | ALL | | 2962964 | 2 |
| | BODY – 14 mixed male terminal connector | ALL | | 6288890 | 1 |
| | BODY – Headlamp connector | ALL | | (¹⁴ 2813470 | 2 |
| | BODY – Headlamp connector | Premier, Statesman | | 2814064 | 2 |
| | CLIP – Harness to fender skirt | ALL | | SP1498 | 1 |
| | CLIP – Harness & windshield washer hose to fender skirt | ALL | | SP1779 | 2 |
| | CLIP – Harness to brake pipe | ALL | | SP2225 | 2 |
| | CLIP – Harness to accelerator bracket | ALL | | SP2410 | 1 |
| | CLIP – Harness to radiator support assy. | ALL | | 7175429 | 1 |
| 2.555 | WIRE ASSEMBLY – Ammeter | | | | |
| | WIRE ASSEMBLY | 173, 202 Eng. | | 2817384 | 1 |
| | WIRE ASSEMBLY | 253, 308 Eng. | | 2817538 | 1 |
| 2.585 | LAMP ASSEMBLY, SPACER – Parking and turn signal | | | | |
| | LAMP ASSEMBLY | Exc. chassis & cab | | (¹⁴ 2819613 | 2 |
| | LAMP ASSEMBLY | Exc. chassis & cab | | (¹⁵ 2823669 | 2 |
| | NUT – Lamp to bumper bar | Exc. chassis & cab | | SP1750 | 6 |
| | LAMP ASSEMBLY | Chassis & cab | | (¹⁴ 2823422 | 2 |
| | LAMP ASSEMBLY | Chassis & cab | | (¹⁵ 2824255 | 2 |
| | WASHER – Sealing | Chassis & cab | | VS12333 | 2 |
| | WASHER – Retaining | Chassis & cab | | VS12334 | 2 |
| | NUT | Chassis & cab | | VS12335 | 2 |
| | SPACER | Chassis & cab | LH | 2823557 | 1 |
| | | | RH | 2823558 | 1 |
| | BULB – 12 – 16 V. 32 – 4 C.P. | ALL | | 9417867 | 2 |
| 2.586 | BASE ASSEMBLY – Parking and turn signal lamp | | | | |
| | BASE ASSEMBLY | Exc. chassis & cab | | 2819615 | 2 |
| | BASE ASSEMBLY | Chassis & cab | | (¹⁴ VS12261 | 2 |
| | BASE ASSEMBLY | Chassis & cab | | (¹⁵ VS12313 | 2 |
| | NUT | Chassis & cab | | VS12263 | 4 |
| | WASHER – Nut | Chassis & cab | | VS12264 | 4 |
| 2.589 | LENS – Parking and turn signal lamp | | | | |
| | LENS | Exc. chassis & cab | | (¹⁴ 2819614 | 2 |
| | LENS | Exc. chassis & cab | | (¹⁵ 2823668 | 2 |
| | SCREW – Lens to lamp base | Exc. chassis & cab | | 9423551 | 8 |
| | LENS | Chassis & cab | | (¹⁴ VS12260 | 2 |
| | LENS | Chassis & cab | | (¹⁵ VS12312 | 2 |
| | SCREW – Lens to lamp base | Chassis & cab | | VS12265 | 4 |

Note: (¹⁴ White front turn signal lamp.
(¹⁵ Amber front turn signal lamp.

"HQ" PARTS CATALOGUE

| GROUP | DESCRIPTION | MODEL | SIDE | PART No. | QTY. |
|--------------|--|---|------|------------|------|
| 2.590 | GASKET – Parking and turn signal lamp | | | | |
| | GASKET | Exc. chassis & cab | | 2819616 | 2 |
| | GASKET – Base | Chassis & cab | | VS12266 | 2 |
| | GASKET – LENS | Chassis & cab | | VS12262 | 2 |
| 2.596 | LEAD ASSEMBLY – Parking and turn signal lamp | | | | |
| | LEAD ASSEMBLY | Exc. chassis & cab | | (* 2815816 | 2 |
| | LEAD ASSEMBLY | Exc. chassis & cab | | (* 2823853 | 2 |
| | BODY – Terminal 2 way | Exc. chassis & cab | | (* 2962984 | 2 |
| | BODY – Male connector | Exc. chassis & cab | | (* 2962984 | 2 |
| | BOOT | Exc. chassis & cab | | (* 2812695 | 2 |
| | BOOT | Exc. chassis & cab | | (* 2823852 | 2 |
| | SOCKET | Exc. chassis & cab | | 2815645 | 2 |
| | CLIP – Lead to battery support | ALL | | 7426417 | 1 |
| | GROMMET – Lead through rad. side | Chassis & cab | | SP1722 | 2 |
| 2.665 | BRACKET – Tail, stop and turn signal lamp mounting | | | | |
| | BRACKET | Chassis & cab | LH | 2817811 | 1 |
| | | | RH | 2817812 | 1 |
| 2.670 | BUMPER, WASHER – Rear licence plate mounting | | | | |
| | BUMPER | Exc. chassis & cab | | 7409209 | 2 |
| | WASHER – Rubber | Utility, Panel Van | | 7424387 | 2 |
| 2.679 | LAMP ASSEMBLY – Tail, stop and turn signal | | | | |
| | LAMP ASSEMBLY | Belmont Station Wagon, Kingswood Station Wagon, Utility, Panel Van | | 2813066 | 2 |
| | LAMP ASSEMBLY – White back-up lens (Optional Export Only) | Belmont Station Wagon, Kingswood Station Wagon, Utility, Panel Van | | 2813920 | 2 |
| | LAMP ASSEMBLY | Premier Station Wagon, Statesman | | 2813065 | 2 |
| | LAMP ASSEMBLY – White back-up lens (Optional Export Only) | Premier Station Wagon, Statesman | | 2813919 | 2 |
| | LAMP ASSEMBLY | Chassis & cab | | 2818894 | 2 |
| 2.679 | LAMP ASSEMBLY – Tail and stop | | | | |
| | LAMP ASSEMBLY | Monaro, Belmont Sedan, Kingswood Sedan, Premier Sedan | | 2811771 | 2 |
| 2.679 | LAMP ASSEMBLY – Turn signal | | | | |
| | LAMP ASSEMBLY | Monaro, Belmont Sedan, Kingswood Sedan, Premier Sedan | LH | 2811779 | 1 |
| | | | RH | 2811780 | 1 |
| | LAMP ASSEMBLY – White back-up lens (Optional Export Only) | Monaro, Belmont Sedan, Kingswood Sedan, Premier Sedan | LH | 2811781 | 1 |
| | | | RH | 2811782 | 1 |
| 2.679 | LAMP ASSEMBLY – Rear, side | | | | |
| | LAMP ASSEMBLY – (Amber lens) | Station Wagon, Monaro, Sedan | LH | 2816393 | 1 |
| | | | RH | 2816392 | 1 |
| | LAMP ASSEMBLY – (Red lens) (Optional Export Only) | Station Wagon, Monaro, Sedan | LH | 2816395 | 1 |
| | | | RH | 2816394 | 1 |
| | LAMP ASSEMBLY – (Amber lens) | Utility, Panel Van | LH | 2816392 | 1 |
| | | | RH | 2816393 | 1 |
| | LAMP ASSEMBLY – (Red lens) (Optional Export Only) | Utility, Panel Van | LH | 2816394 | 1 |
| | | | RH | 2816395 | 1 |

Note: (* White front turn signal lamp.
 (* Amber front turn signal lamp.

"HQ" PARTS CATALOGUE

| GROUP | DESCRIPTION | MODEL | SIDE | PART No. | QTY. |
|--------------|---|--|------|----------|------|
| 2.679 | BULB, SPACER – Tail, stop and turn signal | | | | |
| | BULB - 12 - 16 V. 32 - 4 C.P. | ALL | | 9417867 | 2 |
| | BULB - 12 - 16 V. 32 C.P. | ALL | | 9417866 | 2 |
| | BULB - 12 - 16 V. 2 C.P. | ALL | | 9417863 | 2 |
| | SPACER - Turn signal lamp (Left Hand Lamp, Right Side Only) | Monaro, Belmont Sedan, Kingswood Sedan, Premier Sedan | | 2815245 | 1 |
| | NUT - 'U' Type spring No. 10 - 12 Type 'A' | Monaro, Belmont Sedan, Kingswood Sedan, Premier Sedan | | SP1995 | 6 |
| | SCREW - Hex. hd. tap. No. 10 - 12 Type 'A' | Monaro, Belmont Sedan, Kingswood Sedan, Premier Sedan | | SP1996 | 6 |
| 2.680 | HOUSING ASSEMBLY – Tail, stop and turn signal lamp | | | | |
| | HOUSING ASSEMBLY - Tail, stop & turn signal | Station Wagon, Statesman, Utility, Panel Van | | 2813067 | 2 |
| | HOUSING ASSEMBLY - Tail, stop | Monaro, Belmont Sedan, Kingswood Sedan, Premier Sedan | | 2811772 | 2 |
| | HOUSING ASSEMBLY - Turn signal | Monaro, Belmont Sedan, Kingswood Sedan, Premier Sedan | | 2813746 | 2 |
| 2.682 | LENS ASSEMBLY – Tail, stop and turn signal lamp | | | | |
| | LENS | Chassis & cab | | VS12194 | 2 |
| | LENS ASSEMBLY | Belmont Station Wagon, Kingswood Station Wagon, Utility, Panel Van | | 2813898 | 2 |
| | LENS ASSEMBLY - White back-up lens (Optional Export Only) | Belmont Station Wagon, Kingswood Station Wagon, Utility, Panel Van | | 2813899 | 2 |
| | LENS ASSEMBLY | Premier Station Wagon, Statesman | | 2813068 | 2 |
| | LENS ASSEMBLY - White back-up lens (Optional Export Only) | Premier Station Wagon, Statesman | | 2813069 | 2 |
| | LENS ASSEMBLY | Chassis & cab | | | |
| | SCREW - Lens mounting, Tap. No. 6 - 20 x .50" | Station Wagon, Statesman, Utility, Panel Van | | SP2039 | 12 |
| 2.682 | LENS ASSEMBLY – Stop, Tail lamp | | | | |
| | LENS ASSEMBLY | Monaro, Belmont Sedan, Kingswood Sedan, Premier Sedan | | 2811775 | 2 |
| 2.682 | LENS ASSEMBLY – Turn signal lamp | | | | |
| | LENS ASSEMBLY | Monaro, Belmont Sedan, Kingswood Sedan, Premier Sedan | | 2811776 | 2 |
| | LENS ASSEMBLY - White back-up lens (Optional Export Only) | Monaro, Belmont Sedan, Kingswood Sedan, Premier Sedan | | 2811777 | 2 |
| 2.682 | LENS ASSEMBLY – Rear side lamp | | | | |
| | LENS ASSEMBLY | Station Wagon, Monaro, Sedan, Utility, Panel Van | | 2813684 | 2 |
| | LENS ASSEMBLY - White back-up lens (Optional Export Only) | Station Wagon, Monaro, Sedan, Utility, Panel Van | | 2813685 | 2 |
| 2.684 | GASKET – Tail, stop and turn signal lamp | | | | |
| | GASKET - Lamp | Chassis & cab | | VS12195 | 2 |
| | GASKET - Lamp | Station Wagon, Statesman, Utility, Panel Van | | 9928908 | 2 |
| | GASKET - Lens | Station Wagon, Statesman, Utility, Panel Van | | 2813070 | 2 |

"HQ" PARTS CATALOGUE

| GROUP | DESCRIPTION | MODEL | SIDE | PART No. | QTY. |
|--------------|--|--|------|-------------------------|------|
| 2.684 | GASKET – Tail, stop and turn signal lamp (contd.) | | | | |
| | GASKET – Lens | Monaro, Belmont Sedan, Kingswood Sedan, Premier Sedan | | 2811774 | 4 |
| | GASKET – Rear side lamp lens to housing | Station Wagon, Monaro, Sedan, Utility, Panel Van | | 2813686 | 2 |
| | GASKET – Rear side lamp to body | Station Wagon, Monaro, Sedan, Utility, Panel Van | | 2813687 | 2 |
| 2.694 | HARNESS ASSEMBLY – Rear lamp | | | | |
| | HARNESS ASSEMBLY | Chassis & cab | | 2818405 | 2 |
| 2.697 | SWITCH, WIRE ASSEMBLY – Back-up lamp | | | | |
| | SWITCH ASSEMBLY | (M) 3 Speed Trans. | | 7434465 | 1 |
| | SWITCH ASSEMBLY | (M) 4 Speed Trans. exc. (M) GTS 350 Eng. | | 2815271 | 1 |
| | SWITCH ASSEMBLY | (M) GTS 350 Eng. | | 2815270 | 1 |
| | SPRING – Retainer | (M) GTS 350 Eng. | | SP1924 | 1 |
| | BODY – 2 way male connector | (M) 4 Speed Trans. | | 2973431 | 1 |
| | WIRE ASSEMBLY – White back-up lens (Optional Export Only) | ALL | | 2817866 | 1 |
| 2.700 | LAMP ASSEMBLY – Rear licence plate | | | | |
| | LAMP ASSEMBLY | Chassis & cab | | 2820281 | 1 |
| 2.705 | BRACKET, GROMMET – Rear licence lamp | | | | |
| | BRACKET | Chassis & cab | | 2817813 | 1 |
| | BRACKET | Utility, Panel Van | | 2817266 | 1 |
| | GROMMET | Monaro, Belmont Sedan, Kingswood Sedan, Premier Sedan | | 7416288 | 2 |
| 2.714 | HARNESS, BULB – Rear licence lamp | | | | |
| | HARNESS | Station Wagon, Statesman | | 2817531 | 1 |
| | HARNESS – White back-up lens (Optional Export Only) | Station Wagon, Statesman | | 2817532 | 1 |
| | SOCKET | Station Wagon, Statesman | | 7433411 | 1 |
| | SOCKET & LEAD ASSEMBLY | Utility, Panel Van | | 2817155 | 1 |
| | SOCKET | Utility, Panel Van | | 7401662 | 1 |
| | BULB – 12 – 16 V. 2 C.P. S.C. | Exc. chassis & cab | | 9417863 | 1 |
| 2.725 | HEADLAMP ASSEMBLY PACKAGE | | | | |
| | HEADLAMP ASSEMBLY PACKAGE | Chassis & cab, Belmont, Kingswood, Monaro exc. LS | | 2820429 | 2 |
| 2.726 | RING – Headlamp mounting | | | | |
| | RING | Chassis & cab, Belmont, Kingswood, Monaro exc. LS | | 7447111 | 2 |
| | RING – Inner | LS, Premier, Statesman | LH | 2814211 | 1 |
| | RING – Outer | LS, Premier, Statesman | RH | 2814212 | 1 |
| | | | | 2814210 | 2 |
| 2.727 | SEALED BEAM UNIT – Headlamp | | | | |
| | SEALED BEAM UNIT | Chassis & cab, Belmont, Kingswood, Monaro exc. LS | | (¹⁴ 7434806 | 2 |
| | SEALED BEAM UNIT | Chassis & cab, Belmont, Kingswood, Monaro exc. LS | | (¹⁸ 2823661 | 2 |
| | SEALED BEAM UNIT – Inner | LS, Premier, Statesman | | 7439863 | 2 |
| | SEALED BEAM UNIT – Outer | LS, Premier, Statesman | | (¹⁴ 7433120 | 2 |
| | SEALED BEAM UNIT – Outer | LS, Premier, Statesman | | (¹⁸ 2825061 | 2 |

Note: (¹⁴ White front turn signal lamp.
(¹⁸ Amber front turn signal lamp.

"HQ" PARTS CATALOGUE

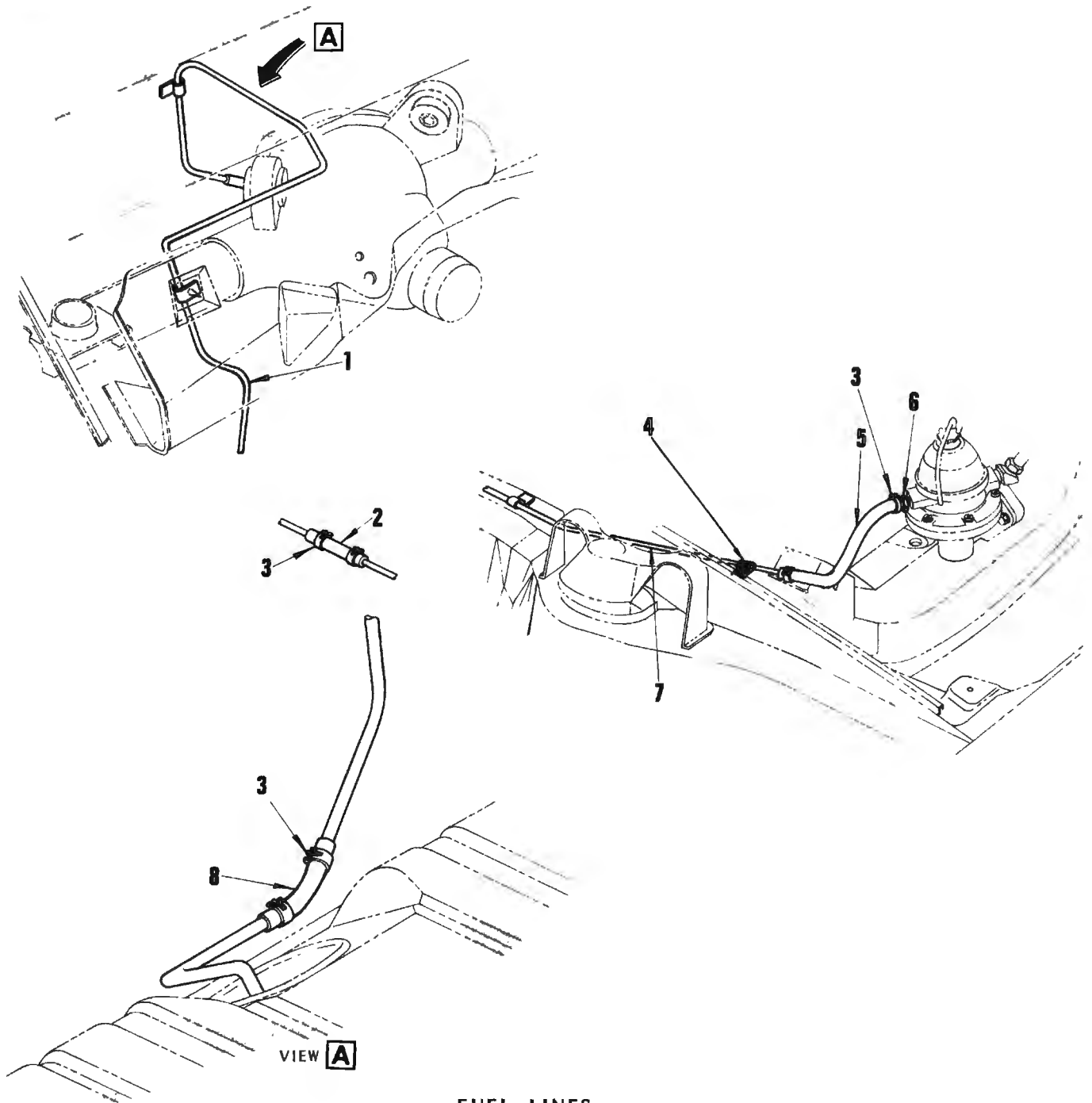
| GROUP | DESCRIPTION | MODEL | SIDE | PART No. | QTY. |
|--------------|--|--|------|----------|------|
| 2.728 | RIM – Headlamp | | | | |
| | RIM – Glacier white | Chassis & cab | | 2824391 | 2 |
| | RIM – Seagull grey | Chassis & cab | | 2825293 | 2 |
| | RIM | Belmont, Kingswood, Monaro exc. SS, GTS, LS | | 2814728 | 2 |
| | RIM | SS, GTS | | 2814729 | 2 |
| | RIM | LS, Premier, Statesman | | 2815657 | 2 |
| | NUT – Upper, 'U' Type spring No. 8A | ALL | | SP1733 | 4 |
| | NUT – Lower | Chassis & cab, Belmont, Kingswood, Monaro exc. LS | | SP2215 | 2 |
| | NUT – Lower | LS, Premier, Statesman | | SP2034 | 2 |
| | SCREW – Tap. No. 8 – 18 x .62" | Chassis & cab, Belmont, Kingswood, Monaro exc. SS, GTS, LS | | SP2431 | 6 |
| | SCREW | SS, GTS | | SP2370 | 6 |
| | SCREW – Tap. No. 8 – 18 x .625" | LS, Premier, Statesman | | SP2246 | 6 |
| 2.729 | NUT – Headlamp adjusting | | | | |
| | NUT – Rectangular, plastic | ALL | | 7432889 | 4-8 |
| 2.731 | RING – Headlamp retaining | | | | |
| | RING ASSEMBLY | Chassis & cab, Belmont, Kingswood, Monaro exc. LS | | 7436779 | 2 |
| | RING ASSEMBLY | LS, Premier, Statesman | | 7433005 | 4 |
| | SCREW – Retaining ring to mounting ring | ALL | | SP1867 | 6-12 |
| 2.737 | SCREW – Headlamp beam adjusting | | | | |
| | SCREW | Chassis & cab, Belmont, Kingswood, Monaro exc. LS | | 7432888 | 4 |
| | SCREW – 2½" long | LS, Premier, Statesman | | 7432933 | 4 |
| | SCREW – 2" long | LS, Premier, Statesman | | 7437776 | 4 |
| 2.737 | SPRING – Light unit retaining | | | | |
| | SPRING – Retaining | ALL | | 7448437 | 2-4 |
| 2.810 | HORN ASSEMBLY | | | | |
| | HORN ASSEMBLY – Low note (R.V.B.) | ALL | | 2822116 | 1 |
| | HORN ASSEMBLY – High note (R.V.B.) | ALL | | 2815289 | 1 |
| | HORN ASSEMBLY – High note package (R.V.B.) | Chassis & cab, Belmont, Kingswood, Monaro exc. GTS, LS | | 2817638 | 1 |
| | HORN ASSEMBLY – Extra high note package | Triple Horn Equip. | | 2817739 | 1 |
| | HORN ASSEMBLY – Extra high note | Triple Horn Equip. | | 2815290 | 1 |
| | LEAD ASSEMBLY – Low note to high note horn | Chassis & cab, Belmont, Kingswood, Monaro exc. LS | | 2816813 | 1 |
| | SCREW – Horn & bracket to radiator side support Hex. hd. tap. ⅜" – 18 x .625" | ALL | | SP2240 | 2 |
| 2.815 | RELAY – Horn | | | | |
| | RELAY | Triple Horn Equip. | | 7431229 | 1 |
| 2.819 | SCREW – Horn contact adjusting | | | | |
| | SCREW | ALL | | 2822614 | 2 |
| 2.820 | EMBLEM – Horn actuating bar | | | | |
| | EMBLEM ASSEMBLY | Chassis & cab, Belmont, Kingswood, Premier, Monaro exc. SS, GTS | | 2816380 | 1 |
| | EMBLEM & BUTTON ASSEMBLY | SS | | 9928868 | 1 |
| | EMBLEM & BUTTON ASSEMBLY | GTS | | 2816889 | 1 |
| | EMBLEM | Statesman | | 2816379 | 1 |
| | SCREW – Emblem & button to adaptor | SS, GTS | | SP2249 | 6 |

"HQ" PARTS CATALOGUE

| GROUP | DESCRIPTION | MODEL | SIDE | PART No. | QTY. |
|--------------|---|---|------|-----------|------|
| 2.822 | SUPPORT and RING ASSEMBLY – Horn contact | | | | |
| | SUPPORT & RING ASSEMBLY – | | | | |
| | 20:1 ratio steering gear | exc. Power Steering, 2 Door GTS, De Ville | | 2816311 | 1 |
| | SUPPORT & RING ASSEMBLY – | | | | |
| | 16.7:1 ratio steering gear | ALL | | 2816312 | 1 |
| 2.824 | ADAPTOR – Horn actuating bar | | | | |
| | ADAPTOR | Exc. SS, GTS | | 2815851 | 1 |
| | ADAPTOR | SS, GTS | | 2816892 | 1 |
| | SCREW – Adaptor to steering wheel | ALL | | 7424198 | 4 |
| | SPRING – Adaptor to steering wheel | Exc. SS, GTS | | 2823099 | 4 |
| | SPRING – Adaptor to steering wheel | SS, GTS | | 7449079 | 4 |
| 2.830 | BAR ASSEMBLY – Horn actuating | | | | |
| | TRIM NOS. 10A, 10B, 10C, 10E, 10G, 10H, 10R, 10S, 10T, 10U, 17A, 19C, 22A, 22B, 22E, 22R, 24A, 24B, 24E, 24R, 28E, 28H, 28R, 28S, 28U, 30A, 30B, 30E, 30G, 30H, 30R, 30T, 32A, 32B, 32E, 32R, 34A, 34B, 34E, 34G, 34R, 34T, 36E, 36G, 36R, 36T (Black) | Exc. SS, GTS, Statesman | | 2816378BA | 1 |
| | TRIM NOS. 11A, 11B, 11E, 11G, 11R, 11S, 11T, (Saddle) | Exc. SS, GTS, Statesman | | 2816378CA | 1 |
| | TRIM NOS. 12A, 12B, 12E, 12R (Red) | Exc. SS, GTS, Statesman | | 2816378CB | 1 |
| | TRIM NOS. 14A, 14B, 14E, 14R (Blue) | Exc. SS, GTS, Statesman | | 2816378CD | 1 |
| | TRIM NOS. 16E, 16G, 16R, 16T (Green) | Exc. SS, GTS, Statesman | | 2816378CE | 1 |
| | TRIM NOS. 18E, 18H, 18R, 18S, 18U (Flax) | Exc. SS, GTS, Statesman | | 2816378CH | 1 |
| | TRIM NOS. 19A, 19B, 19E, 19G, 19R, 19S, 19T 21A, 21B, 21E, 21G, 21R, 21S, 21T (Brown) | Exc. SS, GTS, Statesman | | 2816378CJ | 1 |
| | TRIM NOS. 35A, 35B, 35E, 35G, 35R (Ash) | Exc. SS, GTS, Statesman | | 2816378DD | 1 |
| | TRIM NOS. 38E, 38G, 38R, 38T, 39A, 39B, 39E, 39G, 39R, 39T (Chestnut) | Exc. SS, GTS, Statesman | | 2816378DG | 1 |
| | TRIM NOS. 10M, 10N, 10R, 10T, 10U, 14M, 22R, 24R, 28M, 28N, 28R, 28U, 30M, 30N, 30R, 30T 32R, 34M, 34N, 34R, 34T, 36R, 36T (Black) | Statesman | | 2816381BA | 1 |
| | TRIM NOS. 11M, 11N, 11R, 11T (Saddle) | Statesman | | 2816381CA | 1 |
| | TRIM NOS. 12R (Red) | Statesman | | 2816381CB | 1 |
| | TRIM NOS. 14R (Blue) | Statesman | | 2816381CD | 1 |
| | TRIM NOS. 16R, 16T (Green) | Statesman | | 2816381CE | 1 |
| | TRIM Nos. 18M, 18N, 18R, 18U (Flax) | Statesman | | 2816381CH | 1 |
| | TRIM NOS. 19M, 19N, 19R, 19T, 21M, 21N, 21R, 21T (Brown) | Statesman | | 2816381CJ | 1 |
| | TRIM NOS. 35M, 35N, 35R (Ash) | Statesman | | 2816381DD | 1 |
| | TRIM NOS. 38M, 38N, 38R, 38T, 39M, 39N, 39R, 39T (Chestnut) | Statesman | | 2816381DG | 1 |
| | SCREW – Pan hd. tap. No. 8 – 18 x 1/2" | Exc. SS, GTS | | 9414712 | 2 |
| 2.892 | FLASHER ASSEMBLY – Turn signal | | | | |
| | FLASHER ASSEMBLY | ALL | | 7436254 | 1 |
| | CLIP – Retaining | ALL | | 7417478 | 1 |
| 2.893 | BULB – Turn signal indicator | | | | |
| | BULB – 12 – 16 V. 2 C.P. | ALL | | 9421330 | 2 |
| 2.895 | SWITCH ASSEMBLY – Turn signal lamp | | | | |
| | SWITCH ASSEMBLY | ALL | | 2823091 | 1 |
| | SPRING – Turn signal switch cancel | ALL | LH | 1964785 | 1 |
| | | | RH | 1964784 | 1 |
| | SPRING – Turn signal switch detent | ALL | | 1846722 | 1 |

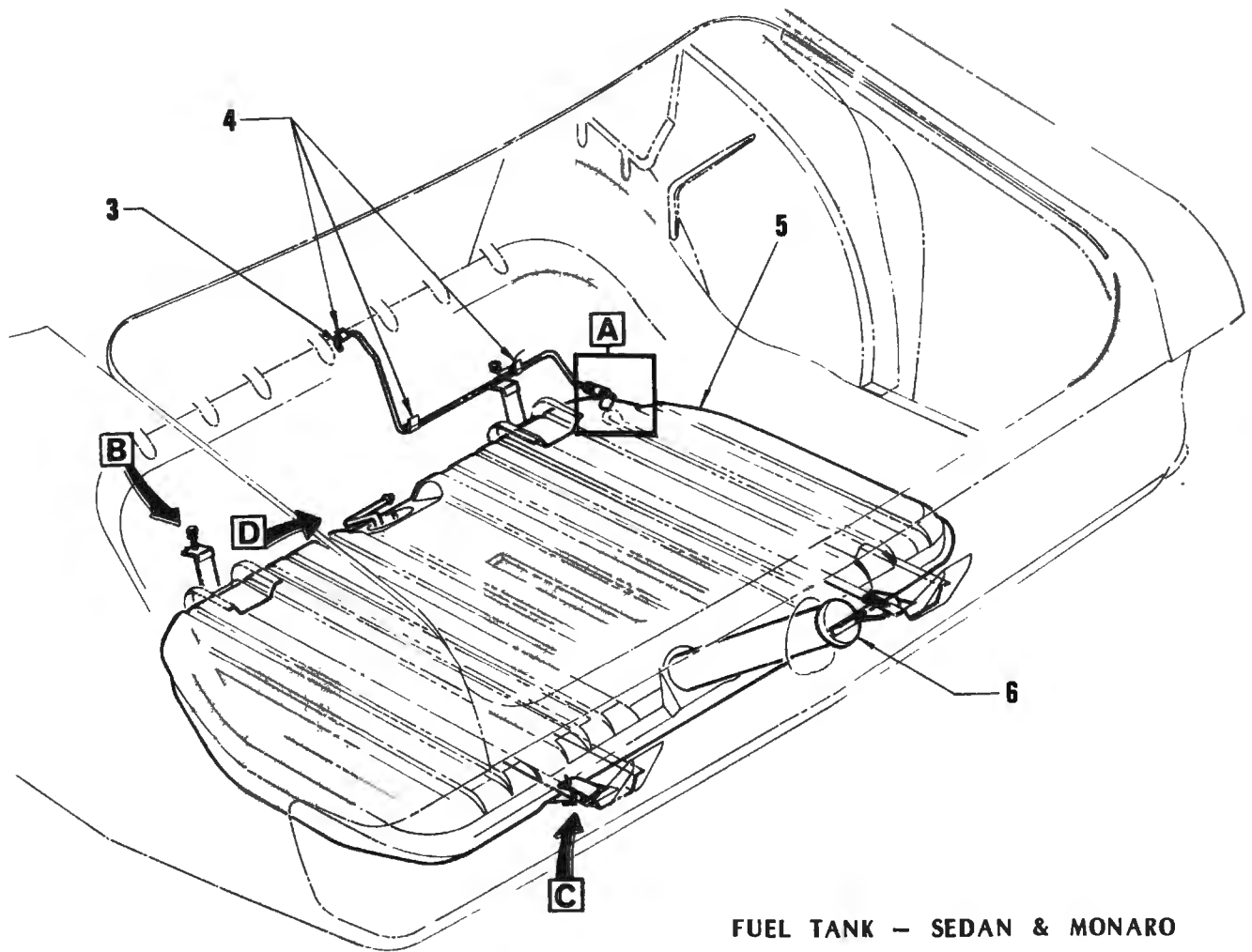
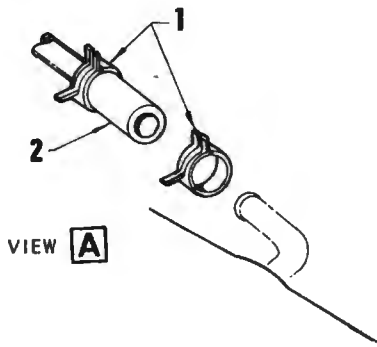
“HQ” PARTS CATALOGUE

| GROUP | DESCRIPTION | MODEL | SIDE | PART No. | QTY. |
|--------------|---|-----------|------|-----------|------|
| 2.897 | LEVER, KNOB – Turn signal lamp switch | | | | |
| | LEVER | ALL | | 2814701 | 1 |
| | KNOB – Trim Nos. 10A, 10B, 10C, 10E, 10G, 10H, 10M, 10N, 10R, 10S, 10T, 10U, 10X, 10Y, 10Z, 11X, 11Y, 14M, 14X, 14Y, 16X, 16Y, 17A, 18X, 18Y, 19C, 19X, 19Y, 21X, 21Y, 22A, 22B, 22E 22R, 24A, 24B, 24E, 24R, 24X, 24Y, 28E, 28H, 28M, 28N, 28R, 28S, 28U, 30A, 30B, 30E, 30G, 30H, 30M, 30N, 30R, 30T, 30x, 30Y, 32A, 32B, 32E, 32R, 34A, 34B, 34E, 34G, 34M, 34N, 34R, 34T, 34X, 34Y, 35X, 35Y, 36E, 36G, 36R, 36T, 36X, 36Y, 38X, 38Y, 39X, 39Y (Black) | ALL | | 2814702BA | 1 |
| | KNOB – Trim Nos. 11A, 11B, 11E, 11G, 11M, 11N, 11R, 11S, 11T (Saddle) | ALL | | 2814702CA | 1 |
| | KNOB – Trim Nos. 12A, 12B, 12E, 12R (Red) | ALL | | 2814702CB | 1 |
| | KNOB – Trim Nos. 14A, 14B, 14E, 14R (Blue) | ALL | | 2814702CD | 1 |
| | KNOB – Trim Nos. 16E, 16G, 16R, 16T (Green) | ALL | | 2814702CE | 1 |
| | KNOB – Trim Nos. 16E, 16H, 18M, 18N, 18R, 18S, 18U (Flax) | ALL | | 2814702CH | 1 |
| | KNOB – Trim Nos. 19A, 19B, 19E, 19G, 19M, 19N, 19R, 19S, 19T, 21A, 21B, 21E, 21G, 21M, 21N, 21R, 21S, 21T (Brown) | ALL | | 2814702CJ | 1 |
| | KNOB – Trim Nos. 35A, 35B, 35E, 35G, 35M, 35N, 35R (Ash) | ALL | | 2814702DD | 1 |
| | KNOB – Trim Nos. 38E, 38G, 38M, 38N, 38R, 38T, 39A, 39B, 39E, 39G, 39M, 39N, 39R, 39T (Chestnut) | ALL | | 2814702DG | 1 |



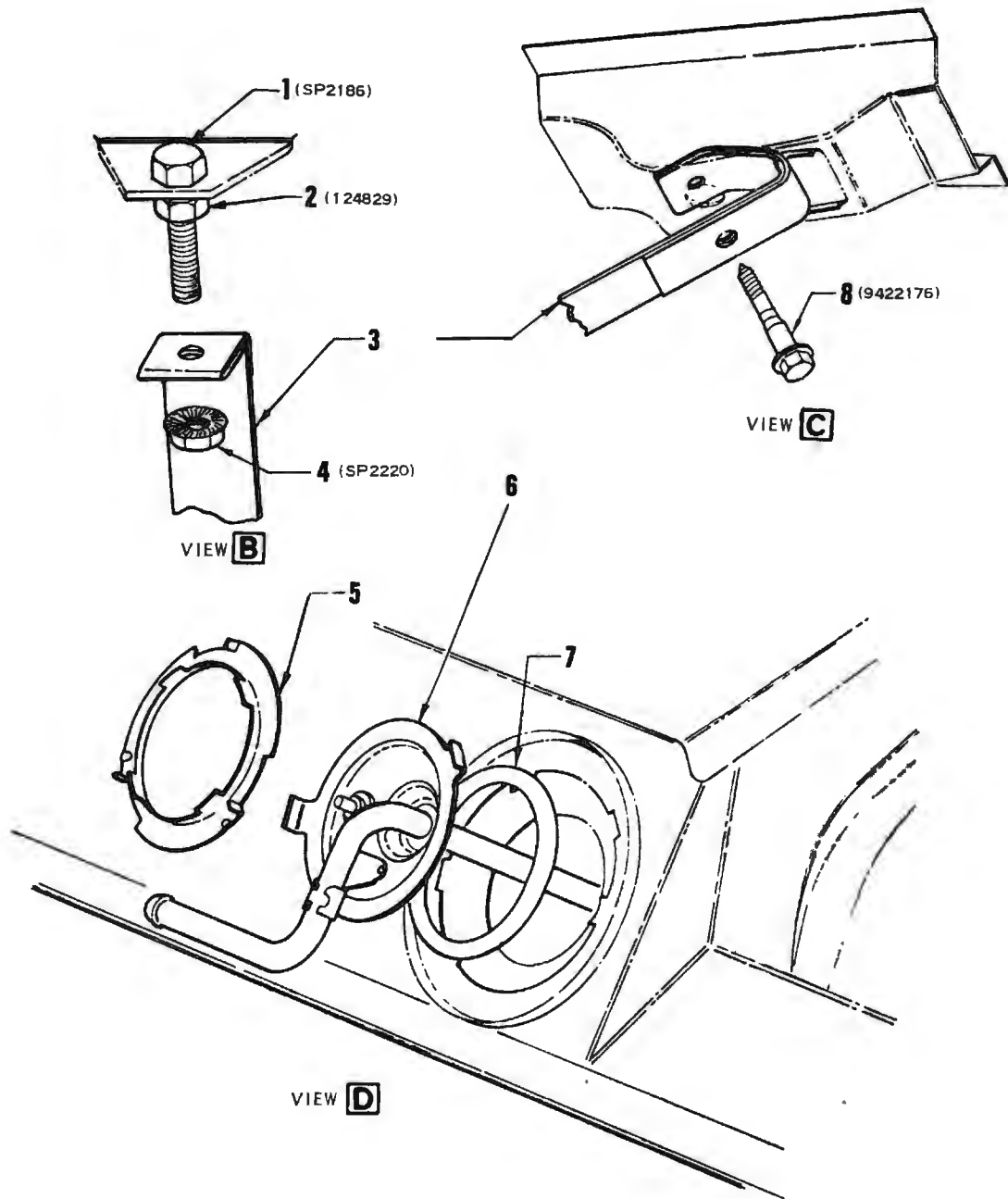
FUEL LINES

| ILLUS. REF. NO. | PART NAME | GROUP | ILLUS. REF. NO. | PART NAME | GROUP |
|-----------------|---|-------|-----------------|--|-------|
| 1. | PIPE ASSY. — Fuel tank to pump, rear | 3.158 | 5. | HOSE — Fuel, front | 3.163 |
| 2. | HOSE — Fuel, front to rear pipe | 3.163 | 6. | CONNECTOR — Hose to fuel pump | 3.163 |
| 3. | CLAMP — Hose | 3.163 | 7. | PIPE ASSY. — Fuel tank to pump, front | 3.158 |
| 4. | CLIP — Front pipe to frame side member brace | 3.202 | 8. | HOSE — Fuel, rear | 3.163 |



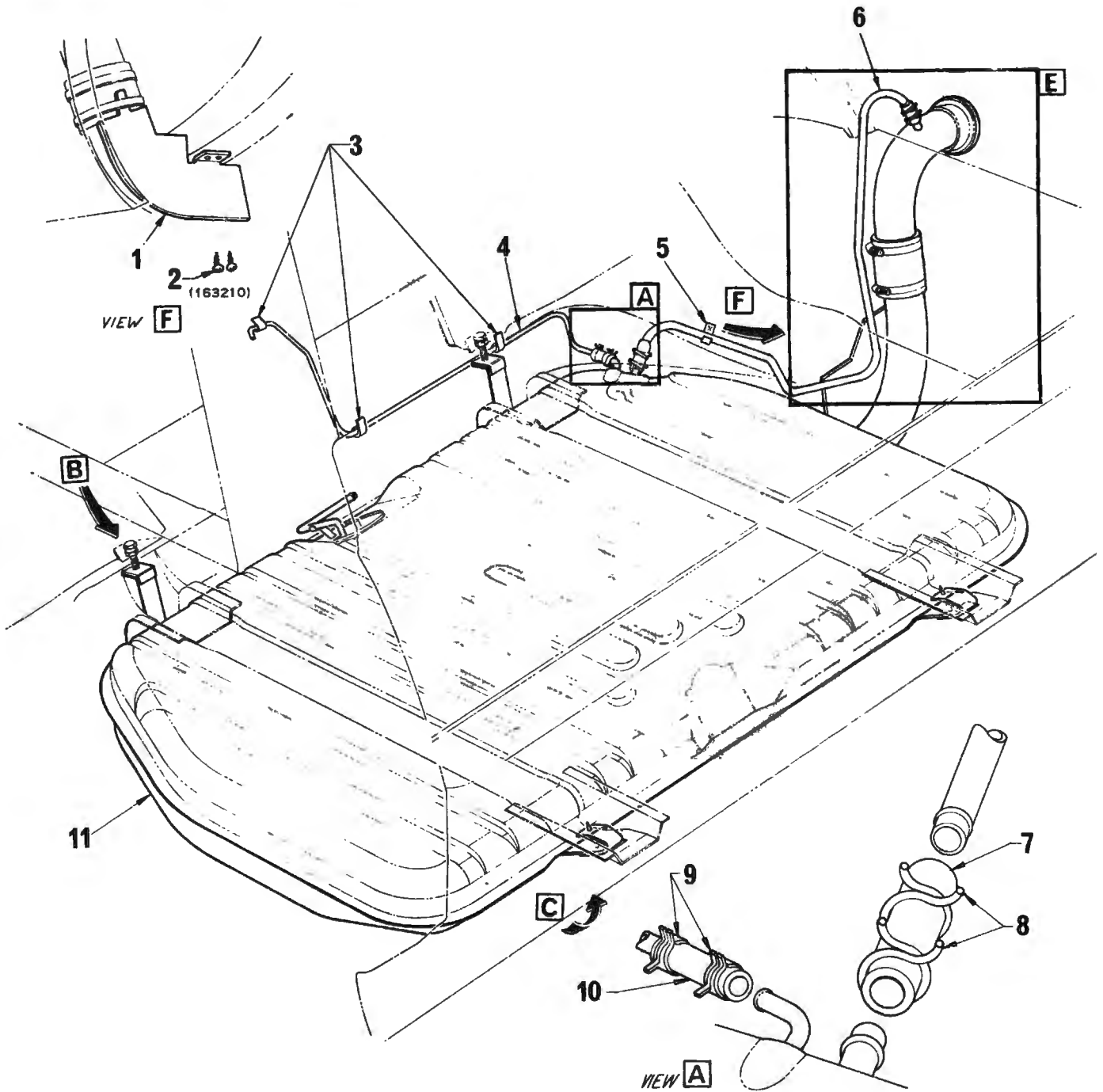
FUEL TANK – SEDAN & MONARO

| ILLUS. REF. NO. | PART NAME | GROUP | ILLUS. REF. NO. | PART NAME | GROUP |
|-----------------|---------------------------------|-------|-----------------|------------------------|-------|
| 1. | CLAMP – Vent hose to pipe | 3.003 | 4. | CLIP – Vent pipe | 3.003 |
| 2. | HOSE – Vent pipe | 3.003 | 5. | TANK ASSEMBLY | 3.001 |
| 3. | PIPE – Vent upper | 3.003 | 6. | CAP ASSEMBLY | 3.028 |



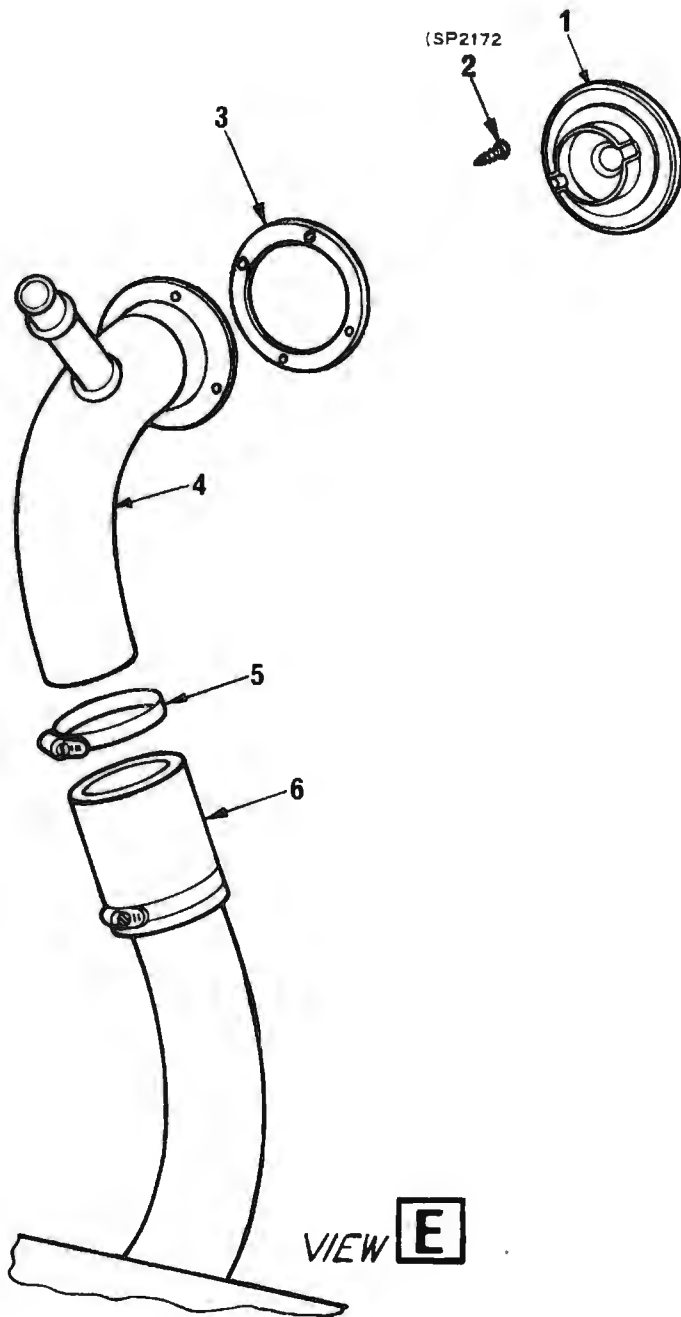
FUEL TANK GAUGE

| ILLUS. REF. NO | PART NAME | GROUP | ILLUS. REF. NO. | PART NAME | GROUP |
|----------------|----------------------------------|-------|-----------------|--|-------|
| 1. | BOLT - Hexagon head | 8.900 | 5. | RING - Fuel gauge tank unit retainer | 3.107 |
| 2. | NUT - Hexagon | 8.915 | 6. | GAUGE ASSEMBLY | 3.107 |
| 3. | STRAP - Support | 3.001 | 7. | SEAL | 3.112 |
| 4. | NUT - Hexagon self locking | 8.918 | 8. | BOLT - Sheet metal | 8.977 |



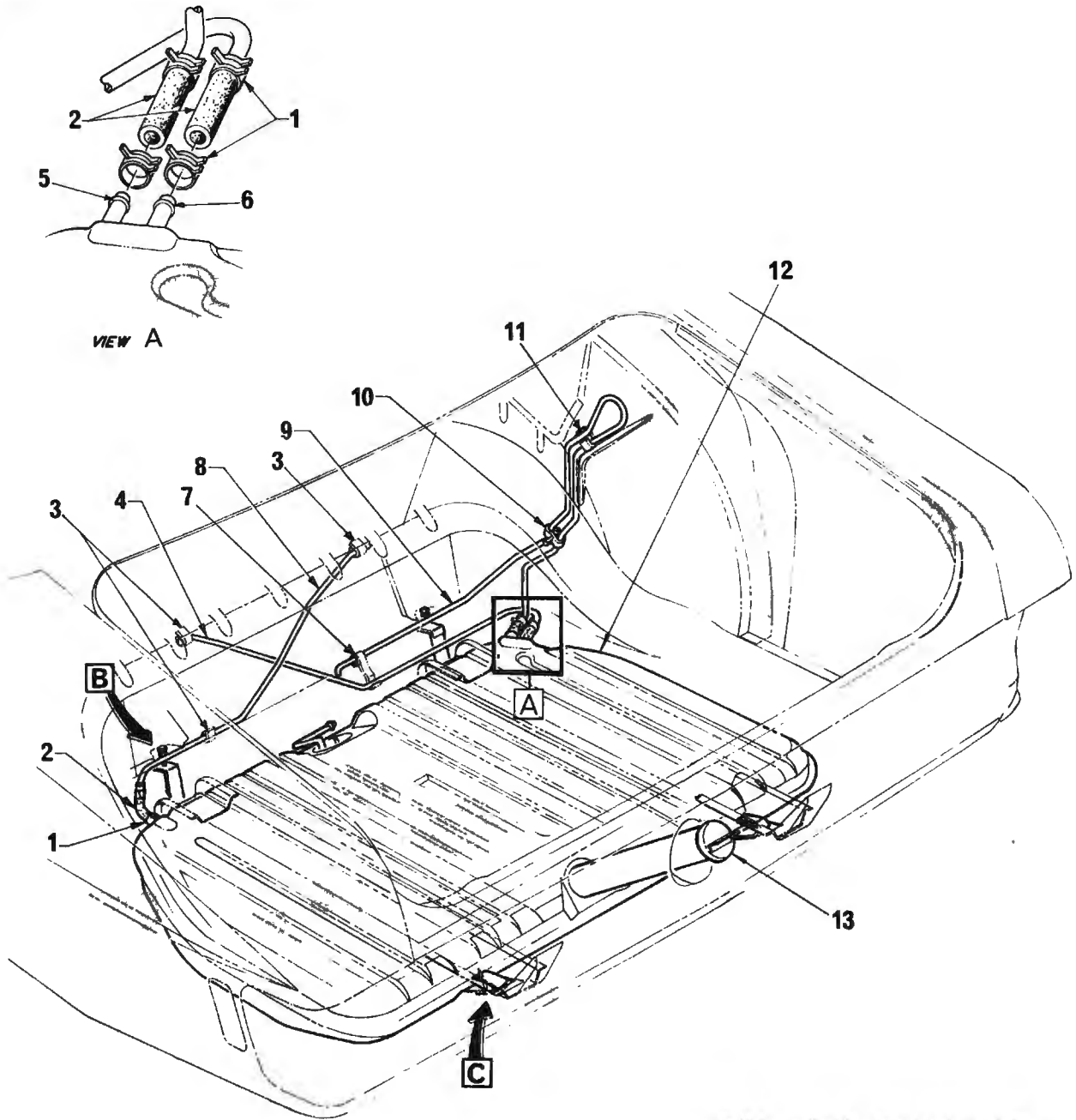
FUEL TANK – STATION WAGON

| ILLUS. REF. NO. | PART NAME | GROUP | ILLUS. REF. NO. | PART NAME | GROUP |
|-----------------|---|-------|-----------------|---------------------------------------|-------|
| 1. | PROTECTOR – Filler pipe | 3.003 | 7. | HOSE – Vent pipe, 1.13/16" long | 3.003 |
| 2. | SCREW – Pan hd., No.10–16 x 3/8" cr. recess | 8.977 | 8. | CLAMP – Hose to vent pipe | 3.003 |
| 3. | CLIP – Vent pipe | 3.003 | 9. | CLAMP – Vent hose to pipe | 3.003 |
| 4. | PIPE – Vent, upper breather | 3.003 | 10. | HOSE – Vent pipe | 3.003 |
| 5. | CLIP – Vent, pipe to side frame | 3.003 | 11. | TANK ASSEMBLY | 3.001 |
| 6. | PIPE – Vent | 3.003 | | | |



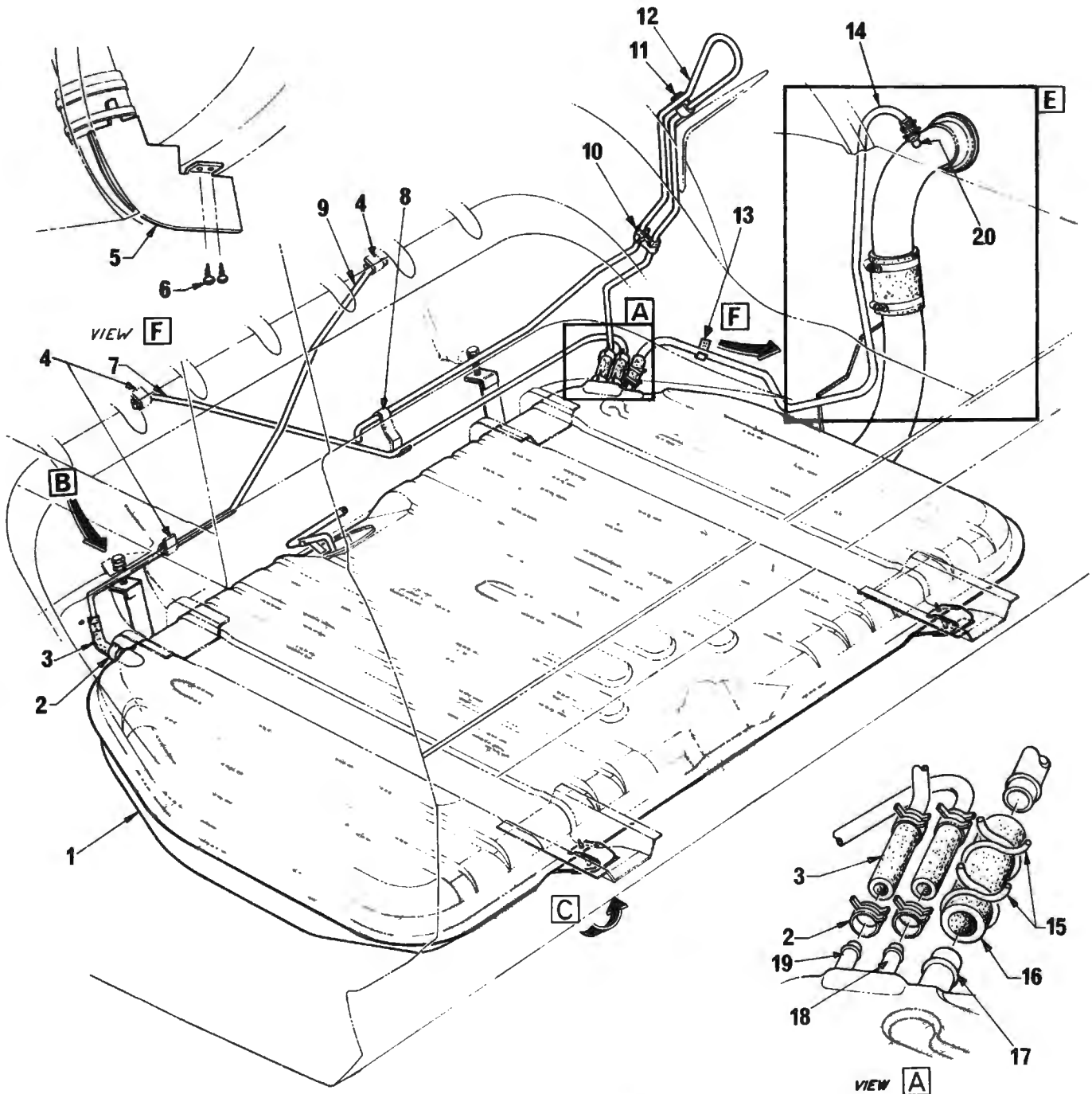
FUEL FILLER PIPE – STATION WAGON

| ILLUS. REF. NO. | PART NAME | GROUP | ILLUS. REF. NO. | PART NAME | GROUP |
|-----------------|--------------------------------------|-------|-----------------|----------------------------------|-------|
| 1. | CAP – Less handle | 3.028 | 4. | PIPE ASSY. – Filler, upper | 3.003 |
| 2. | SCREW – Pan hd., No.6–20 x 5/8 | 8.977 | 5. | CLAMP – Hose, filler neck | 3.003 |
| 3. | GASKET – Fuel tank filler pipe | 3.008 | 6. | HOSE – Filler neck | 3.003 |



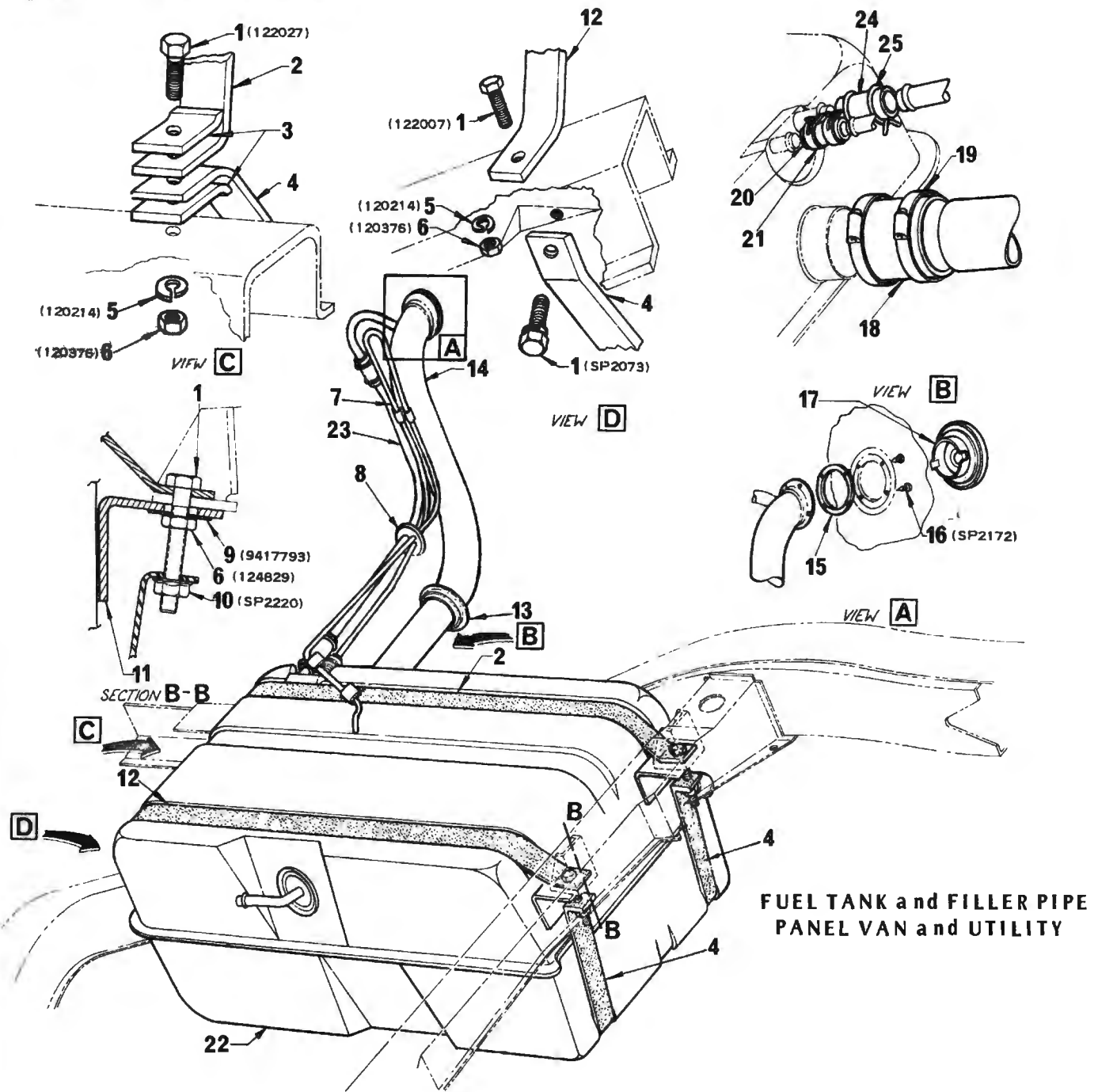
**FUEL TANK – SEDAN & COUPE
(3 Vent Pipe)**

| ILLUS. REF. NO. | PART NAME | GROUP | ILLUS. REF. NO. | PART NAME | GROUP |
|-----------------|---|-------|-----------------|---|-------|
| 1. | CLAMP – Vent hose to pipe | 3.003 | 8. | PIPE – Vent upper (Left Hand) | 3.003 |
| 2. | HOSE – Vent pipe | 3.003 | 9. | PIPE – Breather vent upper | 3.003 |
| 3. | CLIP – Vent pipe | 3.003 | 10. | CLIP – Vent pipe to side frame | 3.003 |
| 4. | PIPE – Vent upper (Right Hand) | 3.003 | 11. | CLIP – Vent pipe to quarter inner panel | 3.003 |
| 5. | PIPE – Breather vent lower | 3.003 | 12. | TANK ASSEMBLY | 3.001 |
| 6. | PIPE – Vent lower (Right Hand) | 3.003 | 13. | CAP ASSEMBLY | 3.028 |
| 7. | CLIP – Vent pipe to rear floor plan | 3.003 | | | |



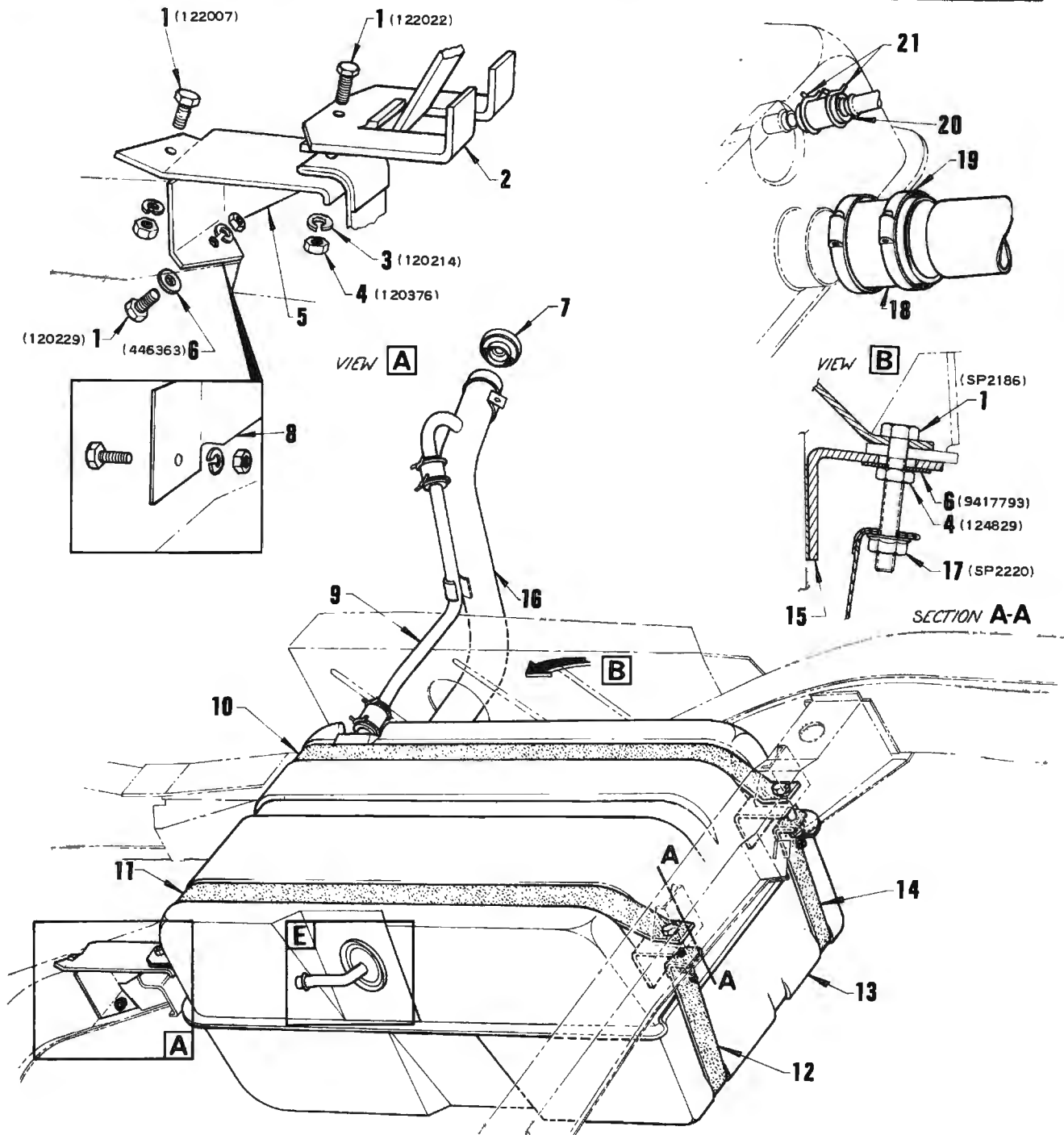
**FUEL TANK – STATION WAGON
(4 Vent Pipe)**

| ILLUS. REF. NO. | PART NAME | GROUP | ILLUS. REF. NO. | PART NAME | GROUP |
|-----------------|--------------------------------------|-------|-----------------|---|-------|
| 1. | TANK ASSEMBLY | 3.001 | 11. | CLIP – Vent pipe to quarter inner panel | 3.003 |
| 2. | CLAMP – Vent hose to pipe | 3.003 | 12. | PIPE – Breather vent upper | 3.003 |
| 3. | HOSE – Vent pipe | 3.003 | 13. | CLIP – Vent pipe to side frame | 3.003 |
| 4. | CLIP – Vent pipe | 3.003 | 14. | PIPE – Vent | 3.003 |
| 5. | PROTECTOR – Filler pipe | 3.003 | 15. | CLAMP – Hose to vent pipe | 3.003 |
| 6. | SCREW – Pan hd.No.10–16x3/8" cr.rec. | 8.977 | 16. | HOSE – Vent pipe, 1.13/16" long | 3.003 |
| 7. | PIPE – Vent upper (Right Hand) | 3.003 | 17. | PIPE – Vent, lower | 3.003 |
| 8. | CLIP – Vent pipe to rear floor pan | 3.003 | 18. | PIPE – Vent lower (Right Hand) | 3.003 |
| 9. | PIPE – Vent upper (Left Hand) | 3.003 | 19. | PIPE – Breather vent lower | 3.003 |
| 10. | CLIP – Vent pipe to side frame | 3.003 | 20. | PIPE – Vent, upper | 3.003 |



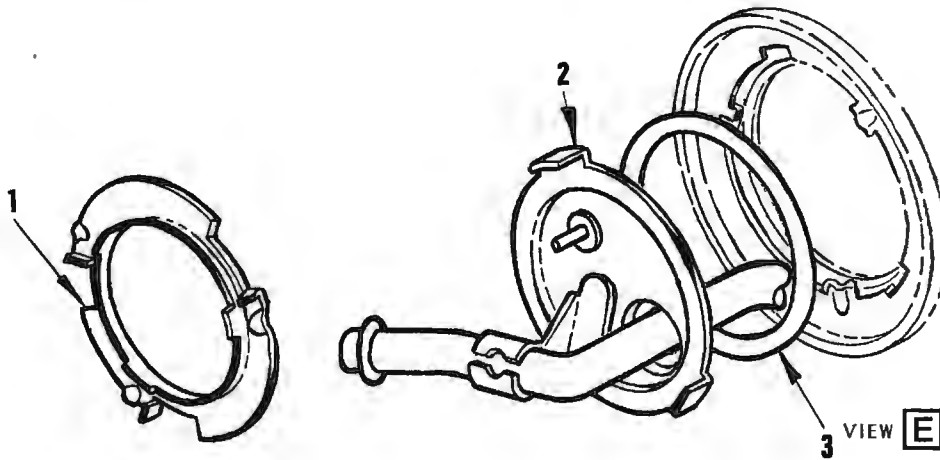
**FUEL TANK and FILLER PIPE
PANEL VAN and UTILITY**

| ILLUS. REF. NO. | PART NAME | GROUP | ILLUS. REF. NO. | PART NAME | GROUP |
|-----------------|------------------------------------|-------|-----------------|--------------------------------|-------|
| 1. | BOLT - Hexa gon hea d | 8.900 | 14. | PIPE ASSEMBLY - Filler, upper | 3.003 |
| 2. | STRAP - Upper outer | 3.001 | 15. | GASKET - Fuel tank filler pipe | 3.008 |
| 3. | REINFORCEMENT - Outer strap | 3.001 | 16. | SCREW - Sheet metal | 8.977 |
| 4. | STRAP - Lower inner & outer | 3.001 | 17. | CAP - Fuel tank filler | 3.028 |
| 5. | WASHER - Lock | 8.931 | 18. | HOSE - Filler pipe to tank | 3.003 |
| 6. | NUT - Hexagon | 8.915 | 19. | CLAMP - Hose, filler neck | 3.003 |
| 7. | PIPE - Vent upper | 3.003 | 20. | HOSE - Vent pipe | 3.003 |
| 8. | GROMMET - Vent pipe to panel | 3.003 | 21. | CLAMP - Vent hose to pipe | 3.003 |
| 9. | WASHER - Flat | 8.929 | 22. | TANK ASSEMBLY - Fuel | 3.001 |
| 10. | NUT - Hexagon self locking | 8.918 | 23. | PIPE - Filler vent | 3.003 |
| 11. | ARRESTOR - Rear | 3.001 | 24. | HOSE - Vent pipe | 3.003 |
| 12. | STRAP - Upper inner | 3.001 | 25. | CLAMP - Hose to vent pipe | 3.003 |
| 13. | GROMMET - Fuel pipe to inner panel | 3.003 | | | |



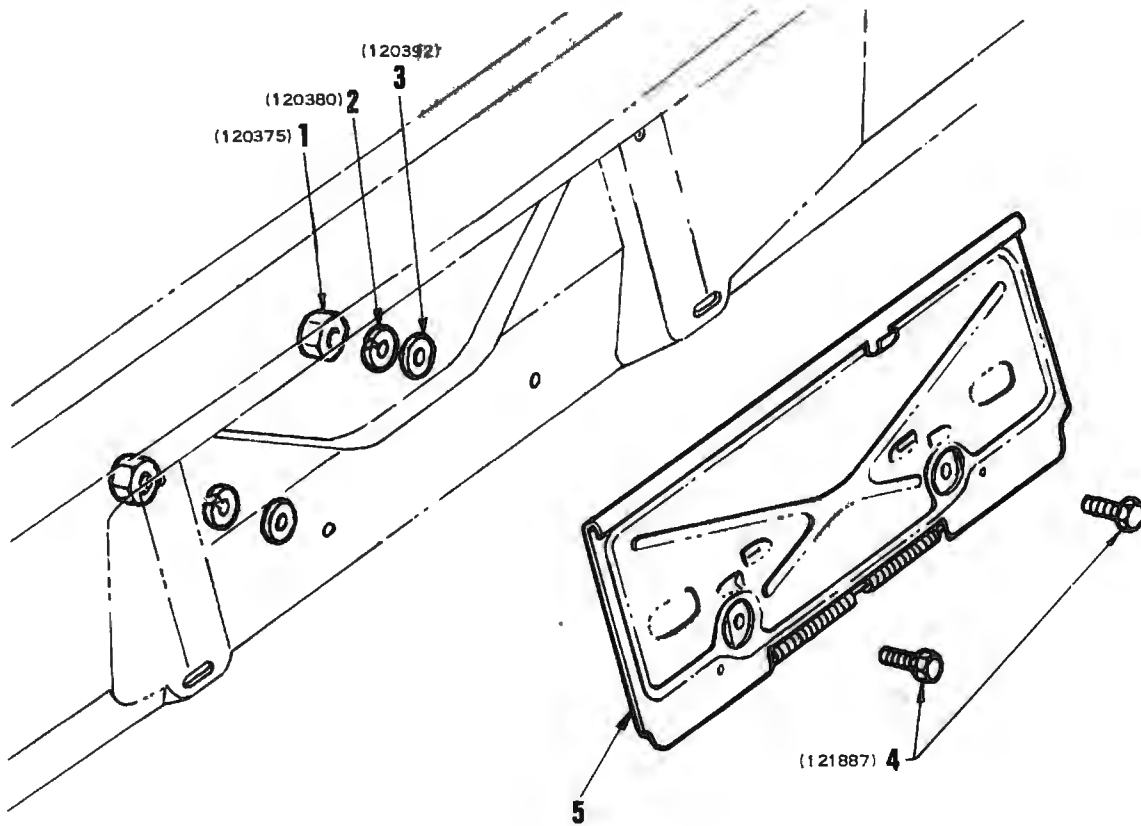
FUEL TANK and FILLER PIPE – CHASSIS & CAB.

| ILLUS. REF. NO. | PART NAME | GROUP | ILLUS. REF. NO. | PART NAME | GROUP |
|-----------------|-------------------------|-------|-----------------|------------------------------|-------|
| 1. | BOLT – Hexagon head | 8.900 | 12. | STRAP – Lower inner | 3.001 |
| 2. | ARRESTOR – Front | 3.001 | 13. | TANK ASSEMBLY | 3.001 |
| 3. | WASHER – Lock | 8.931 | 14. | STRAP – Lower outer | 3.001 |
| 4. | NUT – Hexagon | 8.915 | 15. | ARRESTOR – Rear | 3.001 |
| 5. | BRACKET – Inner support | 3.001 | 16. | PIPE ASSEMBLY – Filler upper | 3.003 |
| 6. | WASHER – Flat | 8.929 | 17. | NUT – Hexagon self locking | 8.918 |
| 7. | CAP – Fuel tank filler | 3.028 | 18. | HOSE – Filler pipe to tank | 3.003 |
| 8. | BRACKET – Outer support | 3.001 | 19. | CLAMP – Hose, filler neck | 3.003 |
| 9. | PIPE – Vent, upper | 3.003 | 20. | HOSE – Vent pipe | 3.003 |
| 10. | STRAP – Upper outer | 3.001 | 21. | CLAMP – Hose to vent pipe | 3.003 |
| 11. | STRAP – Upper inner | 3.001 | | | |



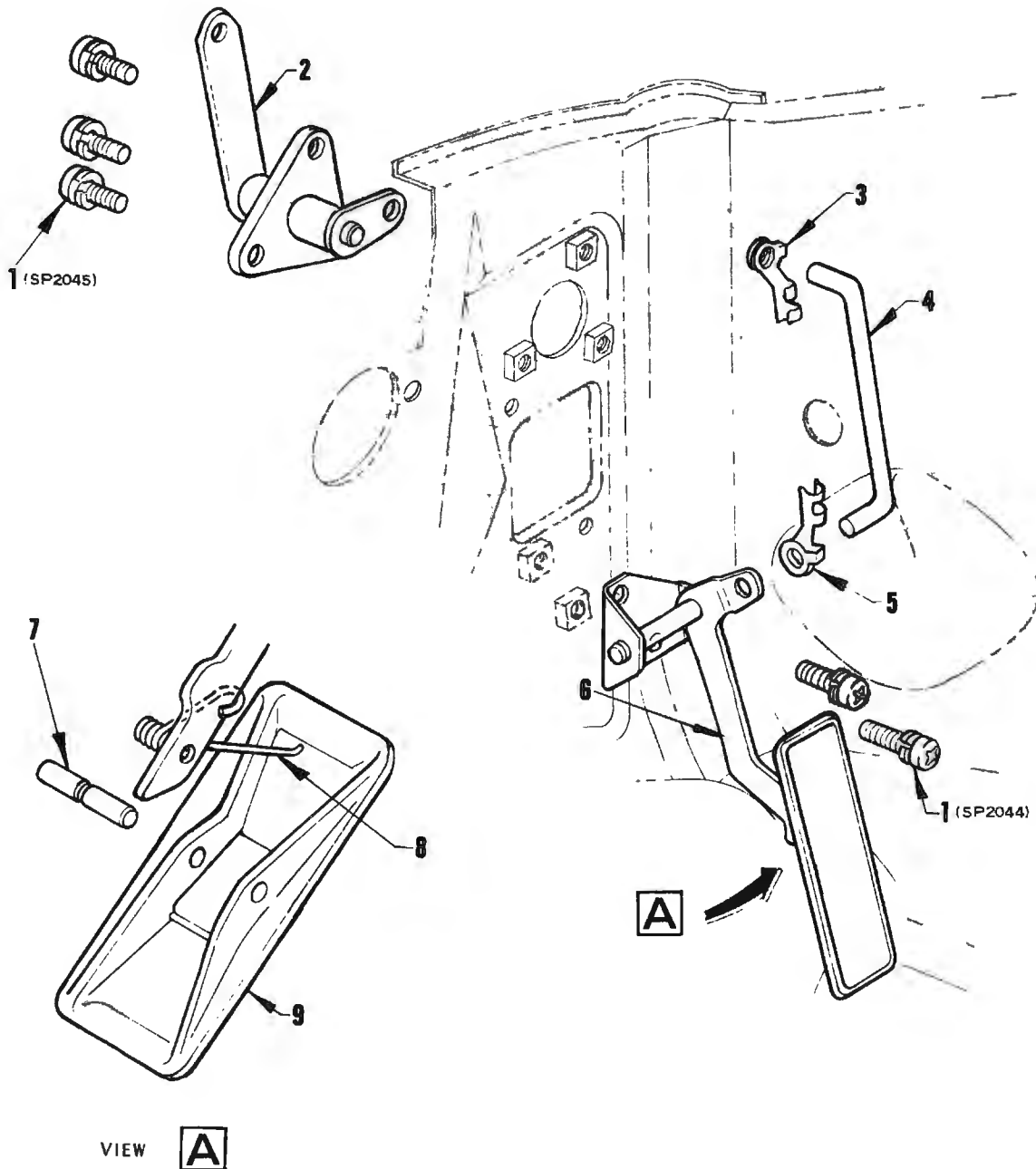
FUEL TANK GAUGE

| ILLUS. REF. NO. | PART NAME | GROUP | ILLUS. REF. NO. | PART NAME | GROUP |
|-----------------|--|-------|-----------------|-----------------------------------|-------|
| 1. | RING — Fuel gauge tank unit retainer | 3.107 | 3. | SEAL — Fuel gauge tank unit | 3.112 |
| 2. | GAUGE ASSEMBLY | 3.107 | | | |



FUEL TANK FILLER DOOR

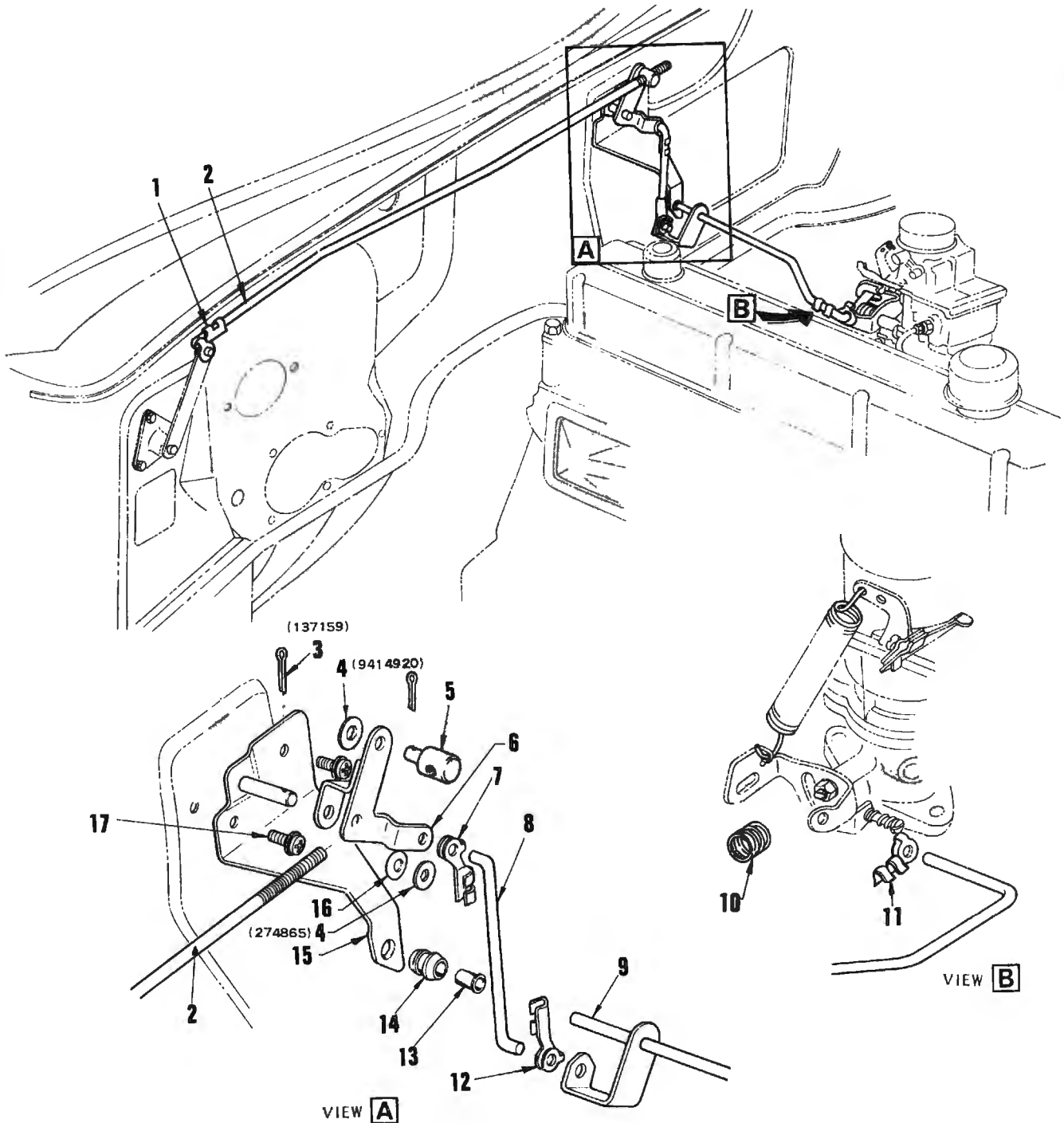
| ILLUS. REF. NO. | PART NAME | GROUP | ILLUS. REF. NO. | PART NAME | GROUP |
|-----------------|---------------------|-------|-----------------|-------------------------------------|--------|
| 1. | NUT — Hexagon | 8.915 | 4. | BOLT — Hexagon head | 8.900 |
| 2. | WASHER — Lock | 8.931 | 5. | DOOR ASSY. — Fuel tank filler | 12.966 |
| 3. | WASHER — Flat | 8.929 | | | |



VIEW **A**

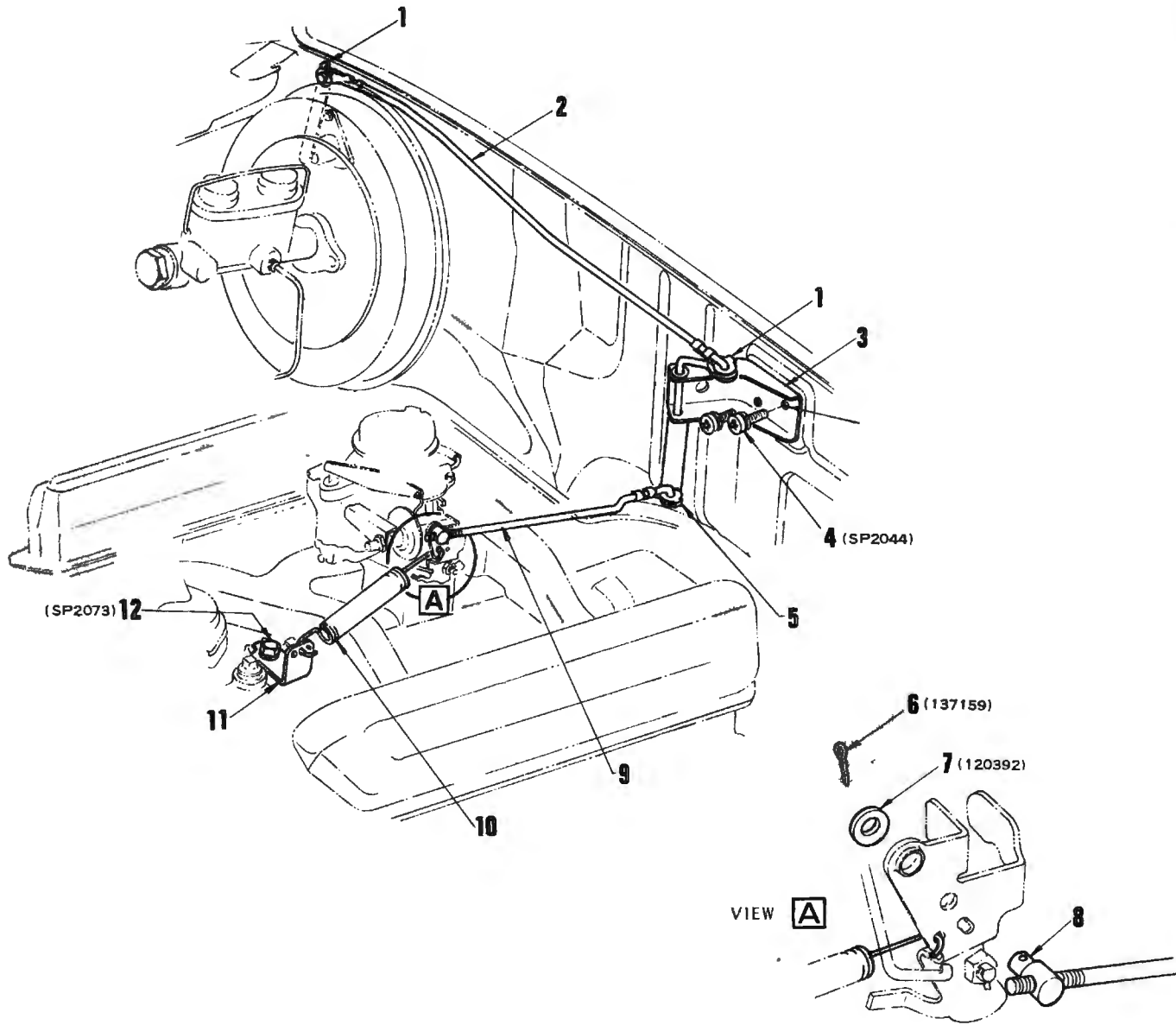
THROTTLE CONTROL

| ILLUS. REF. NO. | PART NAME | GROUP | ILLUS. REF. NO. | PART NAME | GROUP |
|-----------------|---------------------------------------|-------|-----------------|------------------------------|-------|
| 1. | BOLT - Pan head | 8.910 | 6. | LEVER & BRACKET ASSY. | 3.451 |
| 2. | SHAFT & BEARING ASSY. | 3.430 | 7. | PIN - Pedal to lever | 3.451 |
| 3. | CLIP - Rod to accelerator relay | 3.430 | 8. | SPRING - Pedal tension | 3.459 |
| 4. | ROD - Accelerator relay | 3.430 | 9. | PEDAL ASSY. | 3.451 |
| 5. | CLIP - Pedal lever to relay rod | 3.430 | | | |



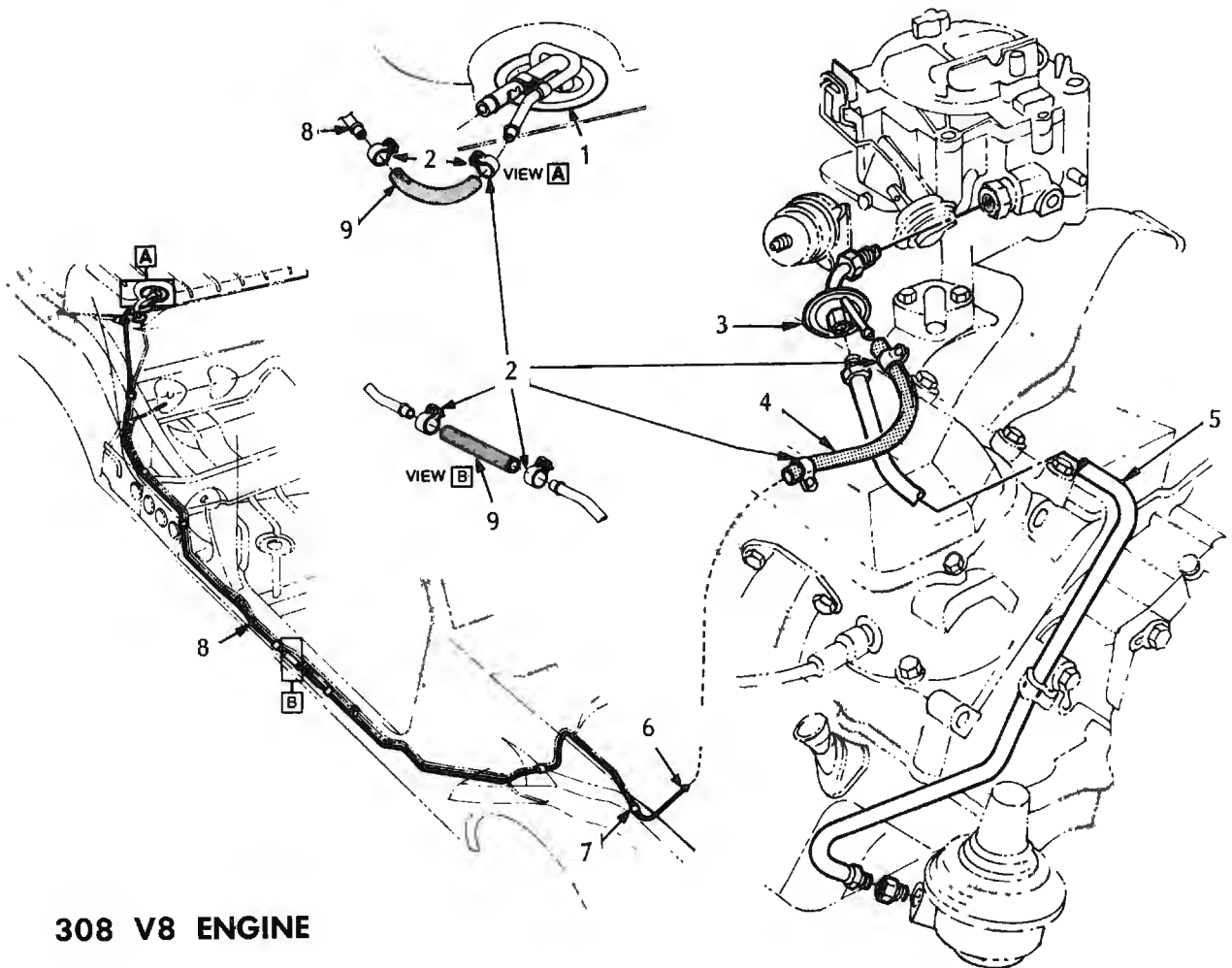
THROTTLE CONTROL

| ILLUS. REF. NO. | PART NAME | GROUP | ILLUS. REF. NO. | PART NAME | GROUP |
|-----------------|--|-------|-----------------|---|-------|
| 1. | CLIP - Control rod to accelerator relay .. | 3.430 | 10. | SPRING - Torsion rod anti-rattle | 3.430 |
| 2. | ROD - Throttle control | 3.430 | 11. | CLIP - Torsion rod to carburettor | 3.430 |
| 3. | PIN - Cotter | 8.938 | 12. | CLIP - Torsion rod to throttle rod | 3.430 |
| 4. | WASHER - Flat | 8.929 | 13. | BEARING - Throttle torsion rod | 3.430 |
| 5. | TRUNNION - Throttle rod adjusting | 3.430 | 14. | SUPPORT - Torsion rod bearing | 3.430 |
| 6. | LEVER ASSY. - Throttle | 3.430 | 15. | BRACKET ASSY. - Throttle relay support .. | 3.430 |
| 7. | CLIP - Relay lever to throttle rod | 3.430 | 16. | WASHER - Relay lever anti-rattle | 3.430 |
| 8. | ROD - Throttle relay | 3.430 | 17. | BOLT - Pan head | 8.910 |
| 9. | ROD - Throttle torsion | 3.430 | | | |



THROTTLE CONTROL

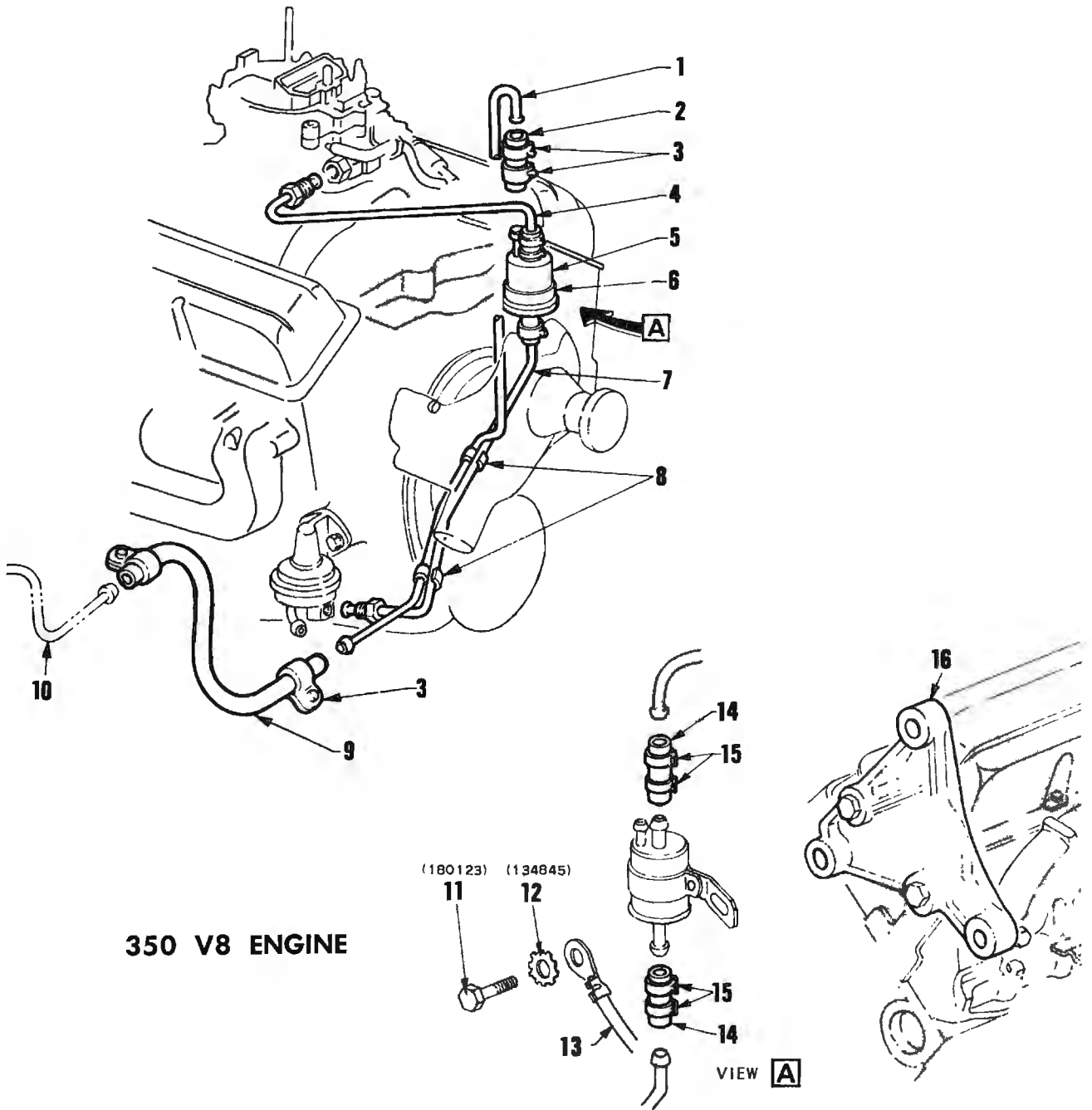
| ILLUS. REF. NO. | PART NAME | GROUP | ILLUS. REF. NO. | PART NAME | GROUP |
|-----------------|---|-------|-----------------|--|-------|
| 1. | CLIP - Control rod | 3.430 | 7. | WASHER - Flat | 8.929 |
| 2. | ROD - Throttle control | 3.430 | 8. | TRUNNION - Rod to carburettor | 3.430 |
| 3. | BRACKET & LEVER ASSY. | 3.430 | 9. | ROD - Relay lever to carburettor | 3.430 |
| 4. | BOLT - Pan head | 8.910 | 10. | SPRING - Return | 3.459 |
| 5. | CLIP - Carburettor rod to relay lever | 3.430 | 11. | BRACKET - Return spring | 3.459 |
| 6. | PIN - Cotter | 8.938 | 12. | BOLT - Hexagon head | 8.900 |



308 V8 ENGINE

VAPOUR RETURN PIPES

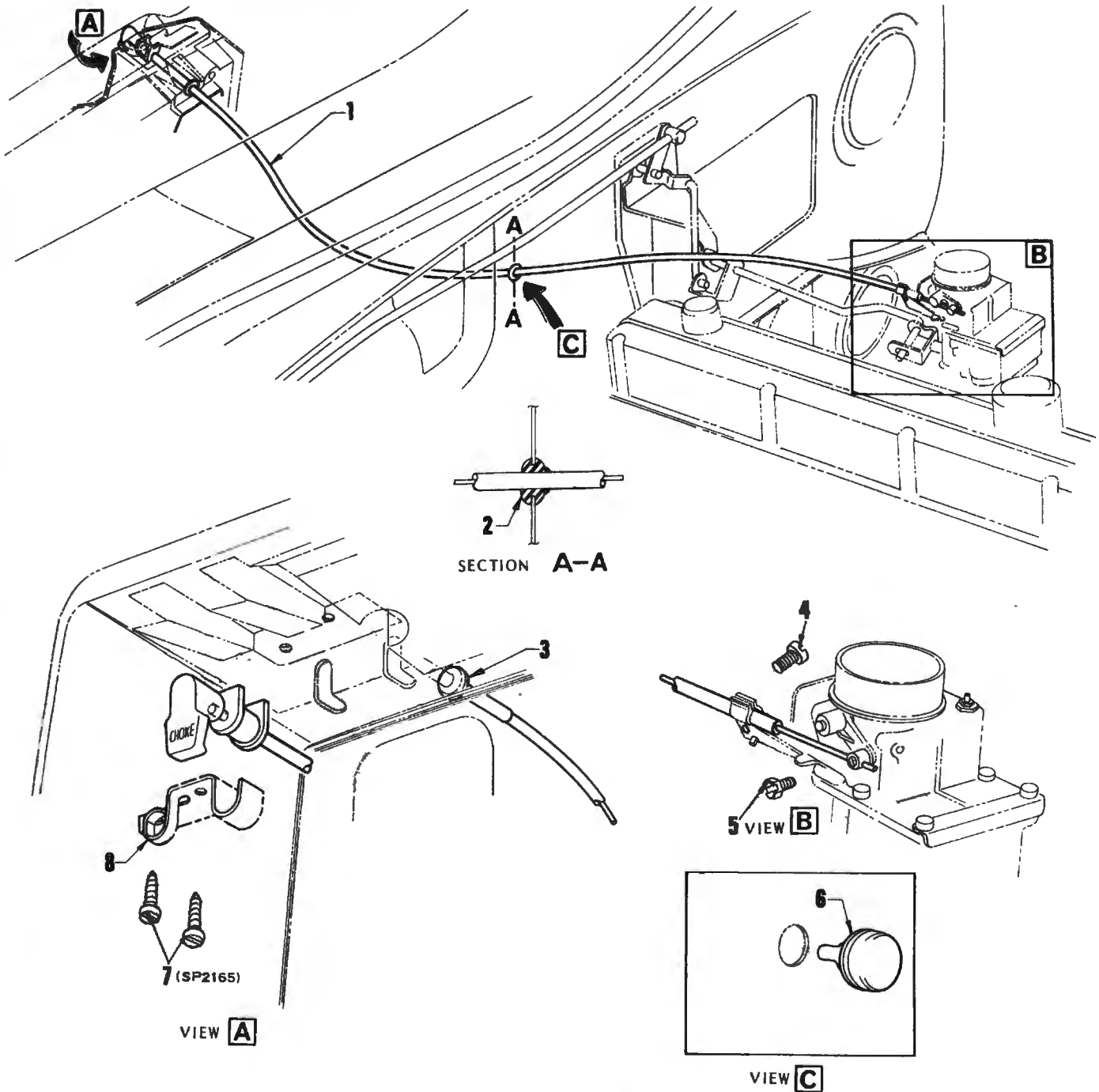
| ILLUS. REF. NO. | PART NAME | GROUP | ILLUS. REF. NO. | PART NAME | GROUP |
|-----------------|--------------------------------------|-------|-----------------|--|-------|
| 1. | GAUGE ASSEMBLY – Tank unit | 3.107 | 6. | PIPE – Vapour return, front | 3.159 |
| 2. | CLAMP – Vapour hose | 3.159 | 7. | CLIP – Fuel pipe to vapour pipe | 3.159 |
| 3. | SEPARATOR ASSEMBLY | 3.159 | 8. | PIPE – Vapour return, rear | 3.159 |
| 4. | HOSE – Separator to front pipe | 3.159 | 9. | HOSE – Rear pipe to front pipe and tank .. | 3.159 |
| 5. | PIPE ASSEMBLY – Carburettor | 3.201 | | | |



350 V8 ENGINE

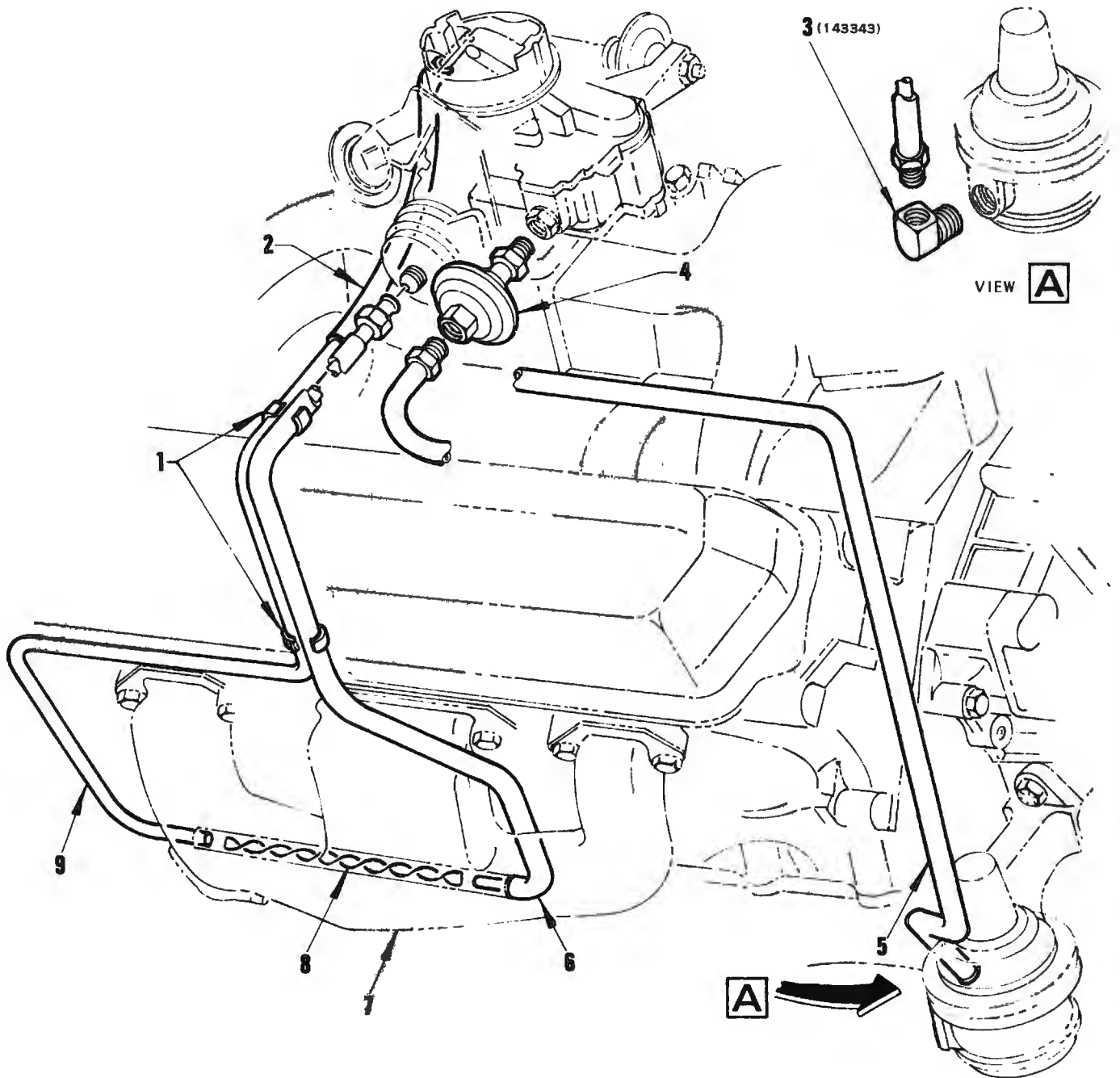
VAPOUR RETURN PIPES

| ILLUS. REF. NO. | PART NAME | GROUP | ILLUS. REF. NO. | PART NAME | GROUP |
|-----------------|--|-------|-----------------|---------------------------------------|-------|
| 1. | PIPE – Vapour return, filter to pipe | 3.159 | 9. | HOSE – Vapour return, front | 3.159 |
| 2. | HOSE – Filter to vapour return pipe | 3.159 | 10. | PIPE – Vapour return, front | 3.159 |
| 3. | CLAMP – Vapour hose | 3.159 | 11. | BOLT – Hexagon head | 8.900 |
| 4. | PIPE – Carburettor upper | 3.201 | 12. | WASHER – Shakeproof | 8.932 |
| 5. | FILTER – Inlet fuel | 3.787 | 13. | CABLE ASSEMBLY – Battery ground | 2.341 |
| 6. | BRACKET – Fuel filter | 3.787 | 14. | HOSE – Fuel filter | 3.201 |
| 7. | PIPE – Carburettor lower | 3.201 | 15. | CLAMP – Fuel filter hose | 3.201 |
| 8. | CLIP – Fuel pipe lower to vapour return pipe | 3.159 | 16. | SUPPORT – Air compressor front | 9.171 |



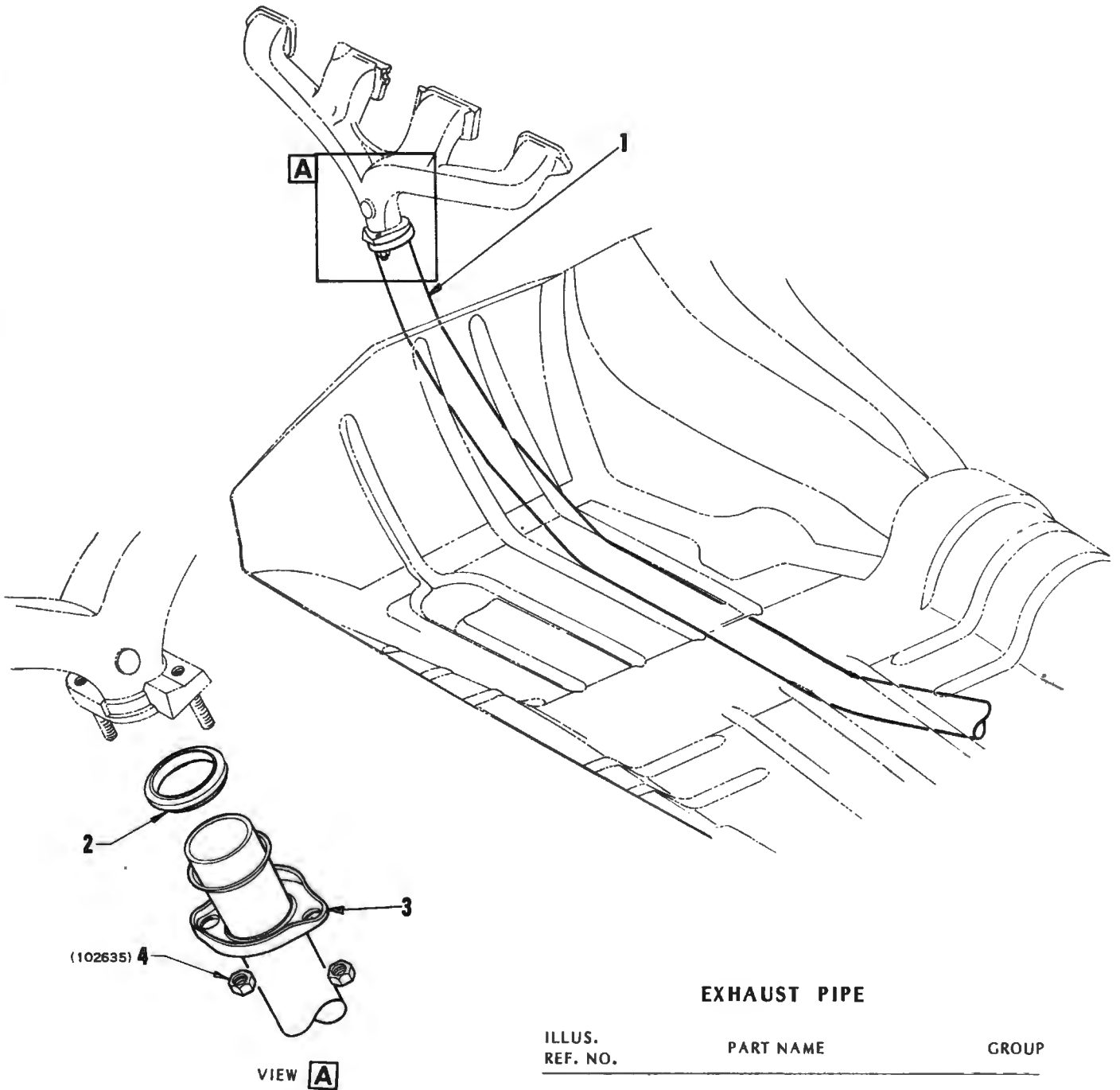
MANUAL CHOKE CONTROL

| ILLUS. REF. NO. | PART NAME | GROUP | ILLUS. REF. NO. | PART NAME | GROUP |
|-----------------|--|-------|-----------------|--|--------|
| 1. | CONTROL ASSEMBLY - Choke | 3.521 | 6. | PLUG - Choke control hole | 12.803 |
| 2. | GROMMET - Choke control to dash panel | 3.521 | 7. | SCREW - Sheet metal | 8.977 |
| 3. | GROMMET - Choke cable to inst. carrier | 3.521 | 8. | BRACKET - Choke & plenum chamber control | 3.521 |
| 4. | SCREW & WASHER - Clamp | 3.795 | | | |
| 5. | SCREW - Wire clamp | 3.791 | | | |



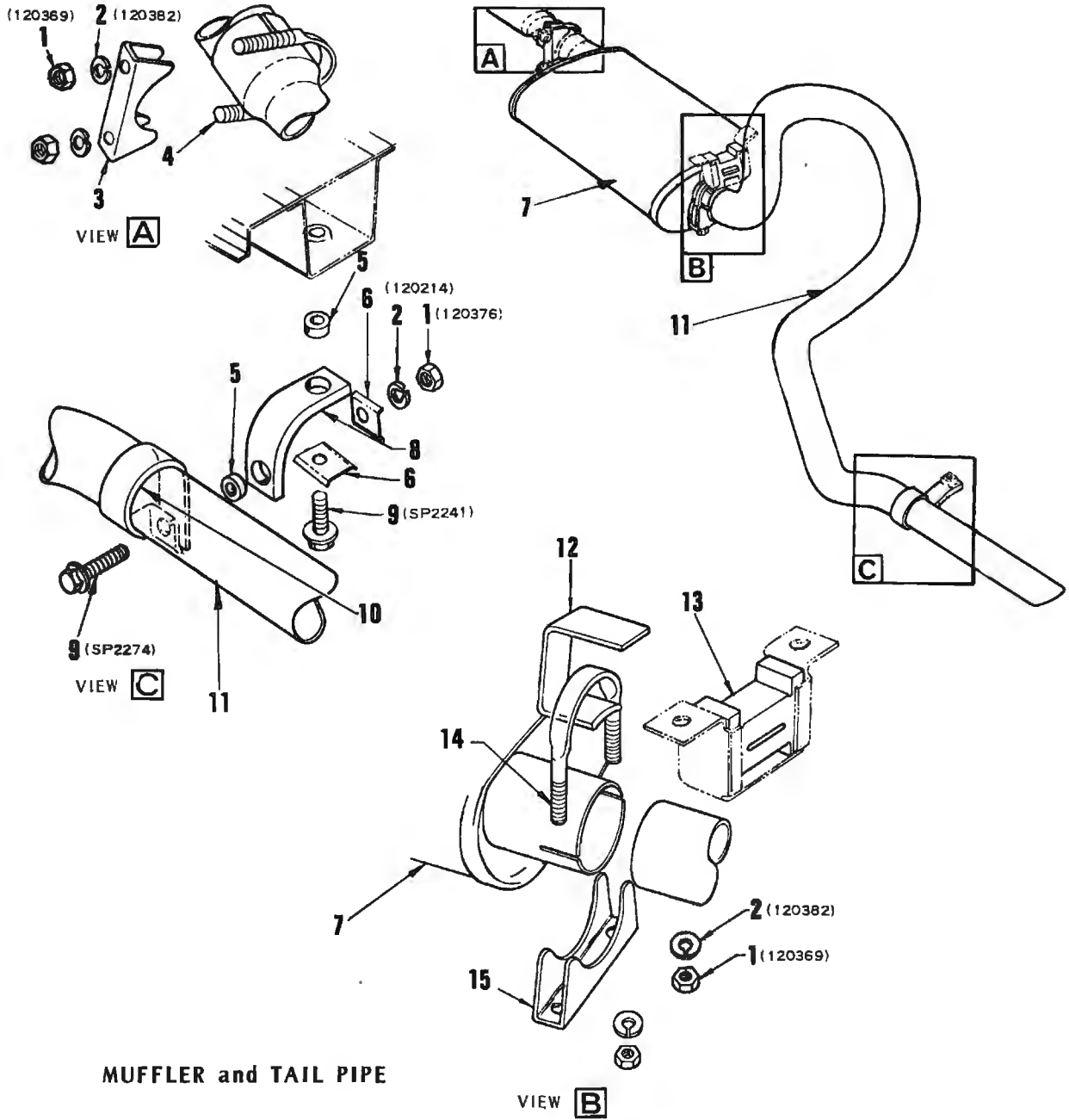
AUTOMATIC CHOKE CONTROL

| ILLUS. REF. NO. | PART NAME | GROUP | ILLUS. REF. NO. | PART NAME | GROUP |
|-----------------|-----------------------|-------|-----------------|-----------------------------------|-------|
| 1. | CLIP - Pipe | 3.720 | 6. | PIPE - Air heat | 3.720 |
| 2. | HOSE - Inlet | 3.720 | 7. | MANIFOLD ASSEMBLY - Exhaust | 3.601 |
| 3. | ELBOW | 8.963 | 8. | BAFFLE - Choke head tube | 3.720 |
| 4. | FILTER ASSEMBLY | 3.787 | 9. | PIPE - Air inlet | 3.720 |
| 5. | PIPE ASSEMBLY | 3.201 | | | |



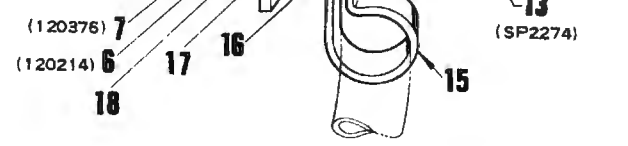
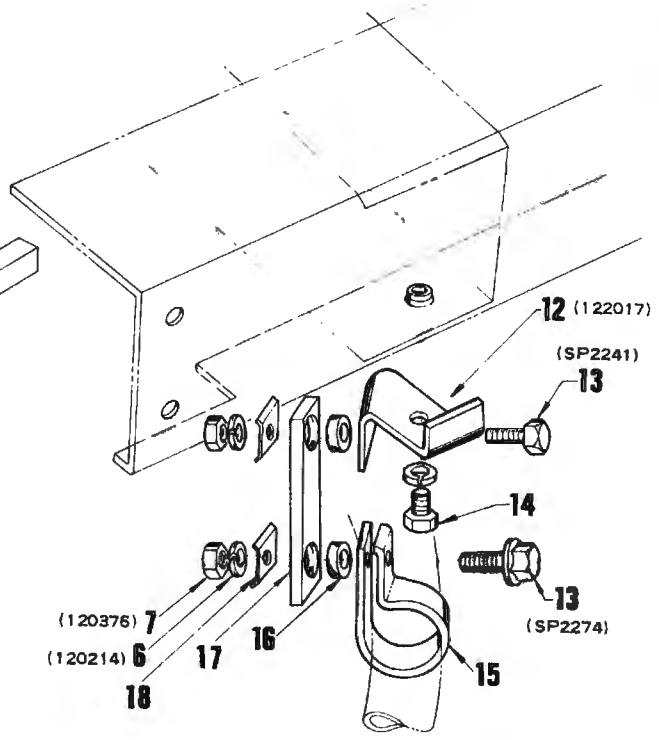
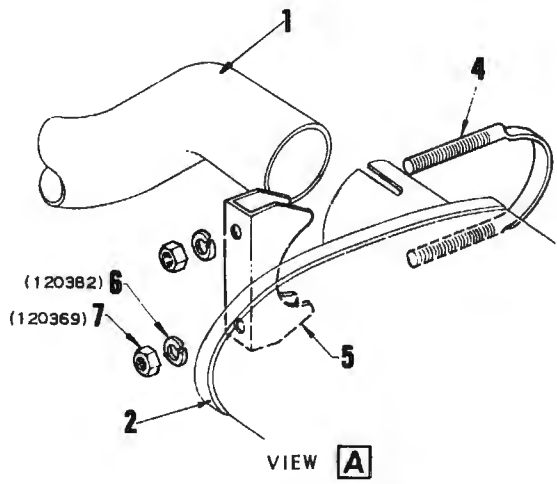
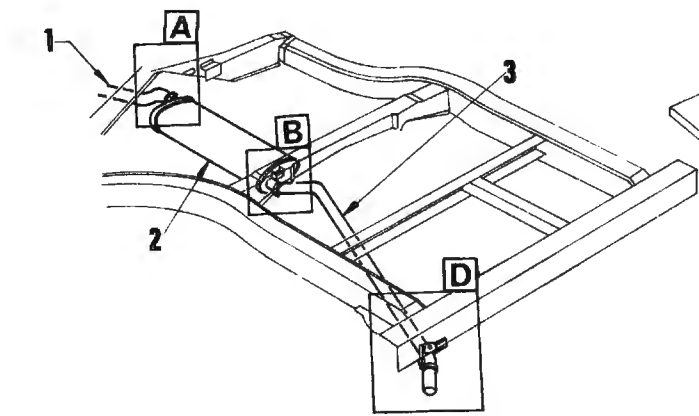
EXHAUST PIPE

| ILLUS. REF. NO. | PART NAME | GROUP |
|--------------------|---------------------|-------|
| 1. | PIPE ASSEMBLY | 3.609 |
| 2. | PACKING | 3.611 |
| 3. | FLANGE | 3.610 |
| 4. | NUT - Hexagon | 8.915 |

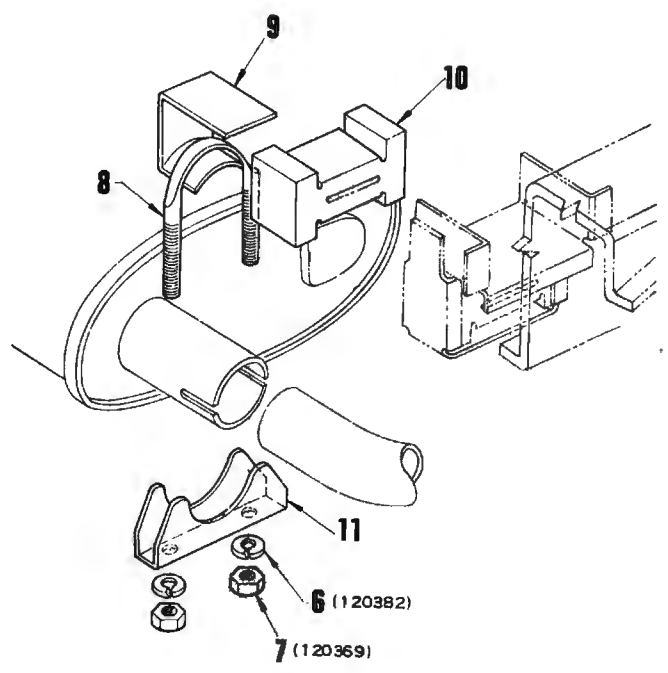


MUFFLER and TAIL PIPE

| ILLUS. REF. NO. | PART NAME | GROUP | ILLUS. REF. NO. | PART NAME | GROUP |
|-----------------|----------------------------------|-------|-----------------|---------------------------------------|-------|
| 1. | NUT - Hexagon | 8.915 | 9. | BOLT - Hexagon head | 8.900 |
| 2. | WASHER - Lock | 8.931 | 10. | CLAMP | 3.710 |
| 3. | CLAMP - Pipe to muffler | 3.616 | 11. | PIPE | 3.705 |
| 4. | "U" BOLT - Pipe to muffler | 3.616 | 12. | SUPPORT | 3.704 |
| 5. | SPACER | 3.710 | 13. | INSULATOR - Support | 3.704 |
| 6. | REINFORCEMENT | 3.710 | 14. | "U" BOLT - Muffler to tail pipe | 3.706 |
| 7. | MUFFLER ASSEMBLY | 3.701 | 15. | CLAMP - Muffler to tail pipe | 3.706 |
| 8. | INSULATOR | 3.710 | | | |



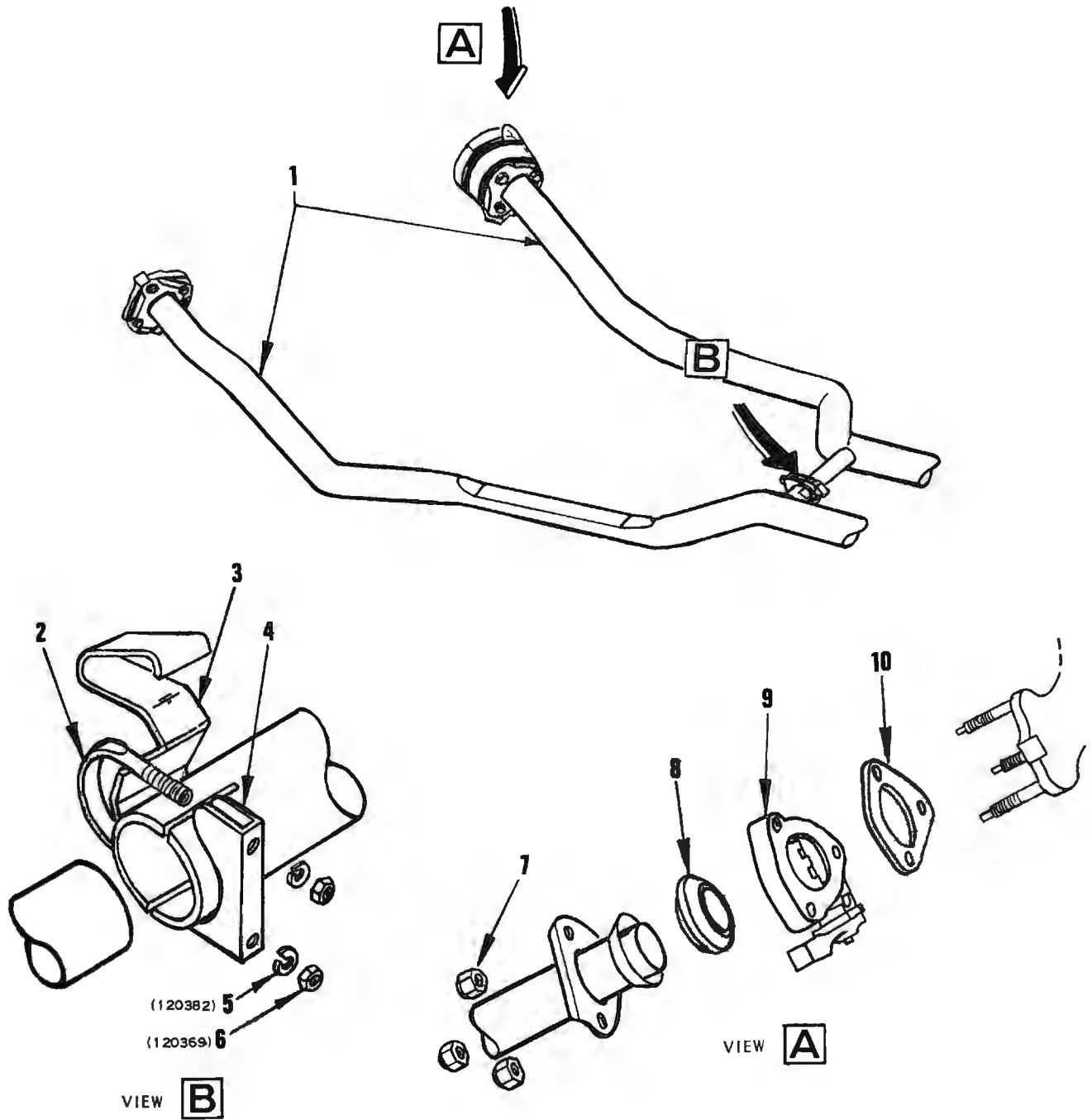
VIEW **D**



VIEW **B**

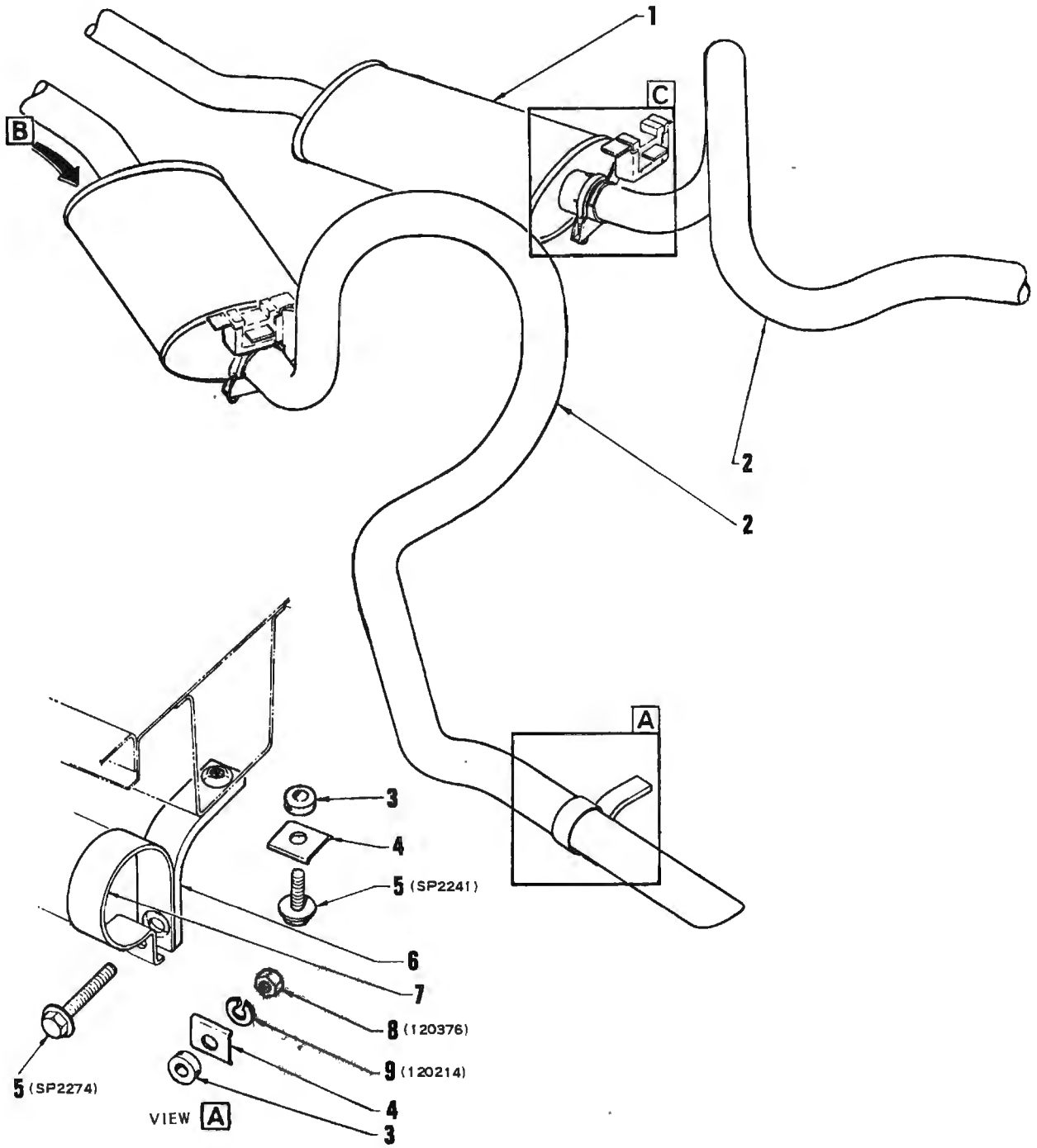
MUFFLER and TAIL PIPE

| ILLUS. REF. NO. | PART NAME | GROUP |
|-----------------|---------------------------------------|-------|
| 1. | PIPE ASSEMBLY | 3.609 |
| 2. | MUFFLER ASSEMBLY | 3.701 |
| 3. | PIPE - Muffler tail | 3.705 |
| 4. | "U" BOLT - Pipe to muffler | 3.616 |
| 5. | CLAMP - Pipe to muffler | 3.616 |
| 6. | WASHER - Lock | 8.931 |
| 7. | NUT - Hexagon | 8.915 |
| 8. | "U" BOLT - Muffler to tail pipe | 3.706 |
| 9. | SUPPORT - Muffler | 3.704 |
| 10. | INSULATOR - Support | 3.704 |
| 11. | CLAMP - Muffler to tail pipe | 3.706 |
| 12. | BRACKET - Tail pipe support | 3.710 |
| 13. | BOLT - Hexagon head | 8.900 |
| 14. | SCREW - Sheet metal | 8.977 |
| 15. | CLAMP | 3.710 |
| 16. | SPACER | 3.710 |
| 17. | INSULATOR - Tail pipe | 3.710 |
| 18. | REINFORCEMENT - Tail pipe | 3.710 |



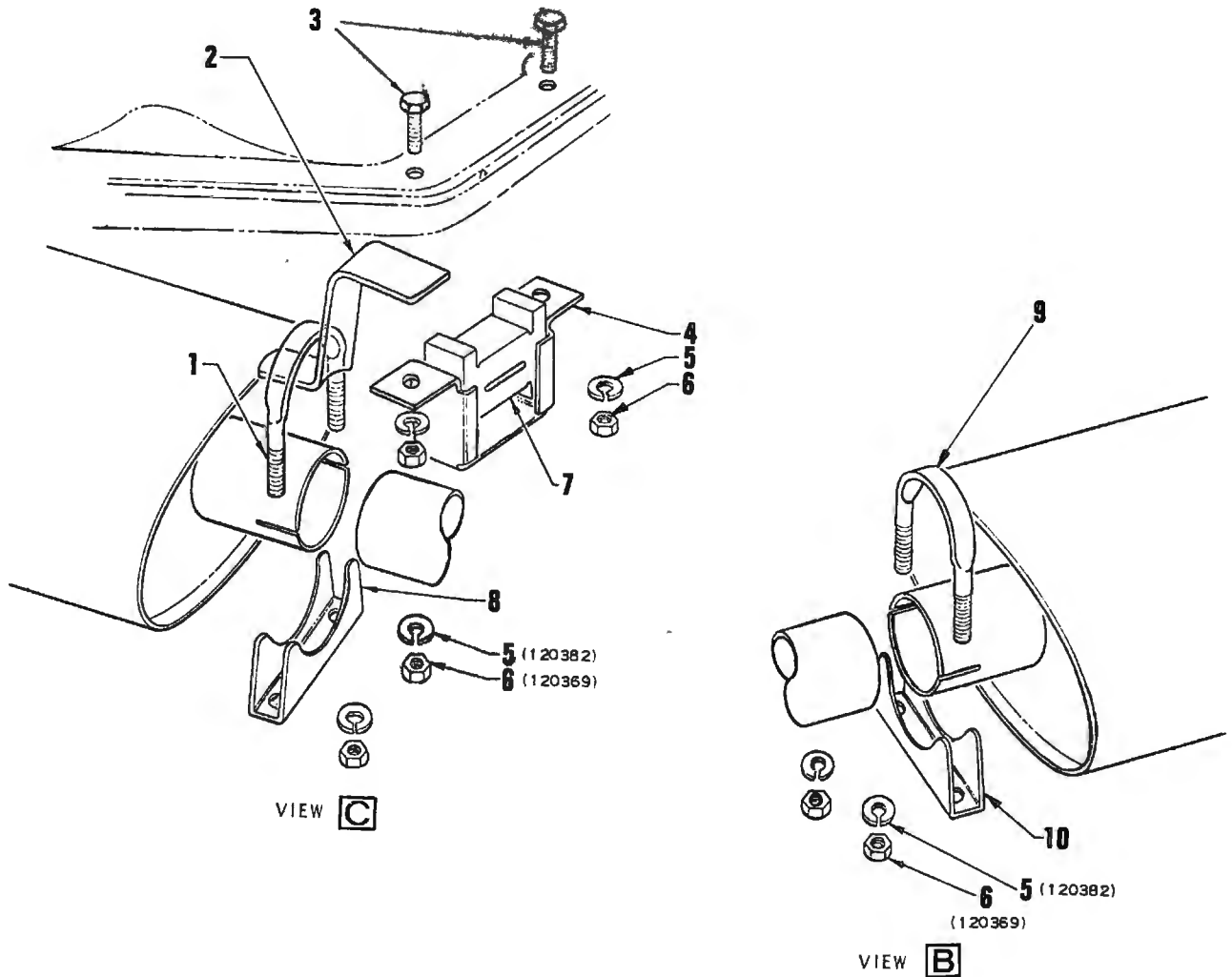
**DUAL EXHAUST
TYPICAL**

| ILLUS. REF. NO. | PART NAME | GROUP | ILLUS. REF. NO. | PART NAME | GROUP |
|--------------------|--|-------|--------------------|--------------------------------------|-------|
| 1. | PIPE ASSEMBLY | 3.609 | 6. | NUT – Hexagon | 8.915 |
| 2. | “U” BOLT – RH to LH balance pipe | 3.616 | 7. | NUT – Exhaust pipe to manifold | 3.275 |
| 3. | GUIDE – Exhaust balance pipe | 4.829 | 8. | PACKING | 3.611 |
| 4. | CLAMP – RH to LH balance pipe | 3.616 | 9. | VALVE ASSEMBLY | 3.642 |
| 5. | WASHER – Lock | 8.931 | 10. | GASKET | 3.642 |



DUAL EXHAUST

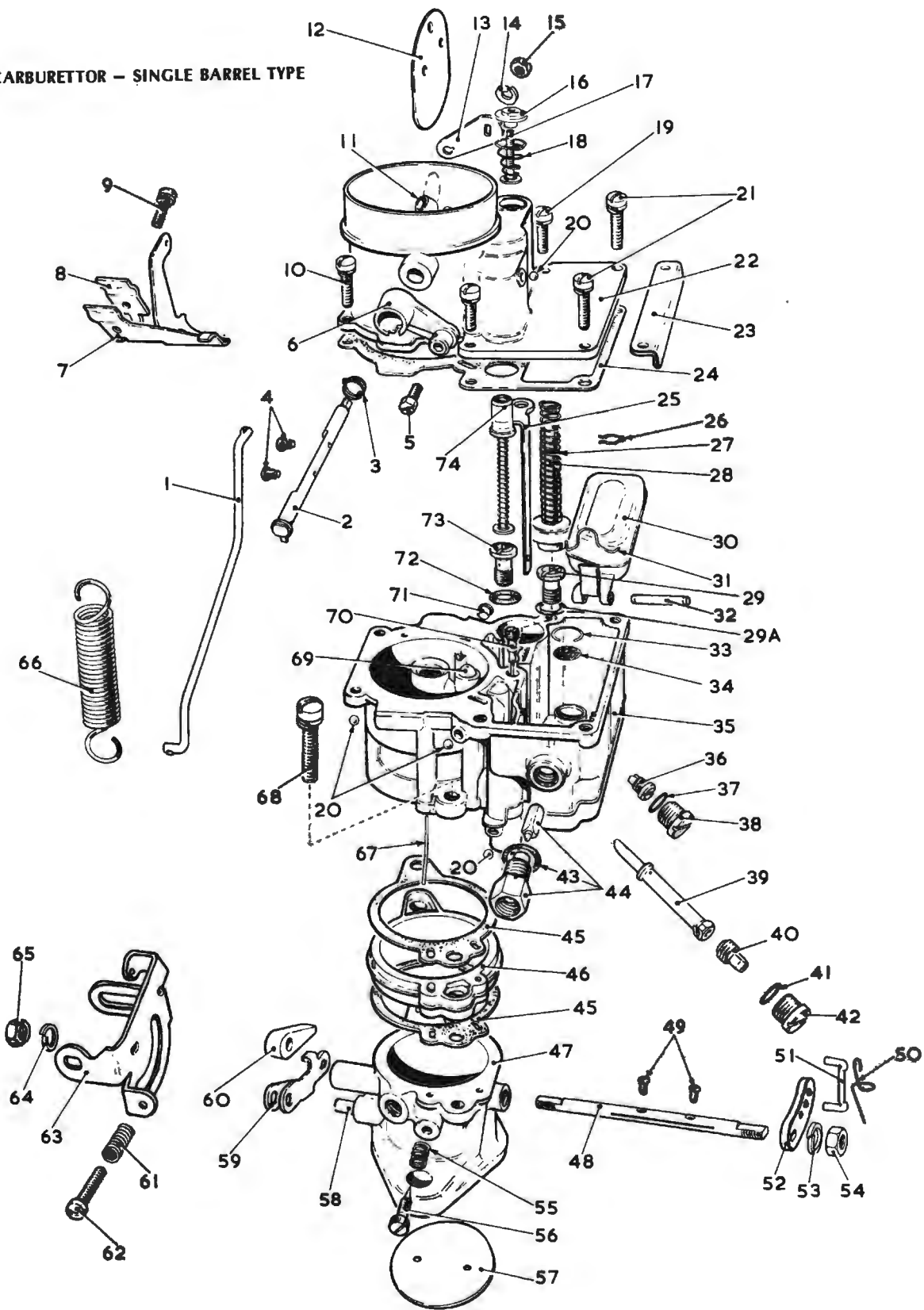
| ILLUS. REF. NO. | PART NAME | GROUP | ILLUS. REF. NO. | PART NAME | GROUP |
|-----------------|---------------------------|-------|-----------------|---------------------|-------|
| 1. | MUFFLER ASSEMBLY | 3.701 | 6. | INSULATOR | 3.710 |
| 2. | PIPE - Muffler tail | 3.705 | 7. | CLAMP | 3.710 |
| 3. | SPACER | 3.710 | 8. | NUT - Hexagon | 8.915 |
| 4. | REINFORCEMENT | 3.710 | 9. | WASHER - Lock | 8.931 |
| 5. | BOLT - Hexagon head | 8.900 | | | |



EXHAUST CLAMP and SUPPORT

| ILLUS. REF. NO. | PART NAME | GROUP | ILLUS. REF. NO. | PART NAME | GROUP |
|-----------------|---------------------------|-------|-----------------|----------------------------------|-------|
| 1. | "U" BOLT | 3.706 | 6. | NUT - Hexagon | 8.915 |
| 2. | SUPPORT & Lower | 3.704 | 7. | INSULATOR - Support | 3.704 |
| 3. | BOLT - Hexagon head | 8.900 | 8. | CLAMP | 3.706 |
| 4. | BRACKET - Support | 3.704 | 9. | "U" BOLT - Pipe to muffler | 3.616 |
| 5. | WASHER - Lock | 8.931 | 10. | CLAMP - Pipe to muffler | 3.616 |

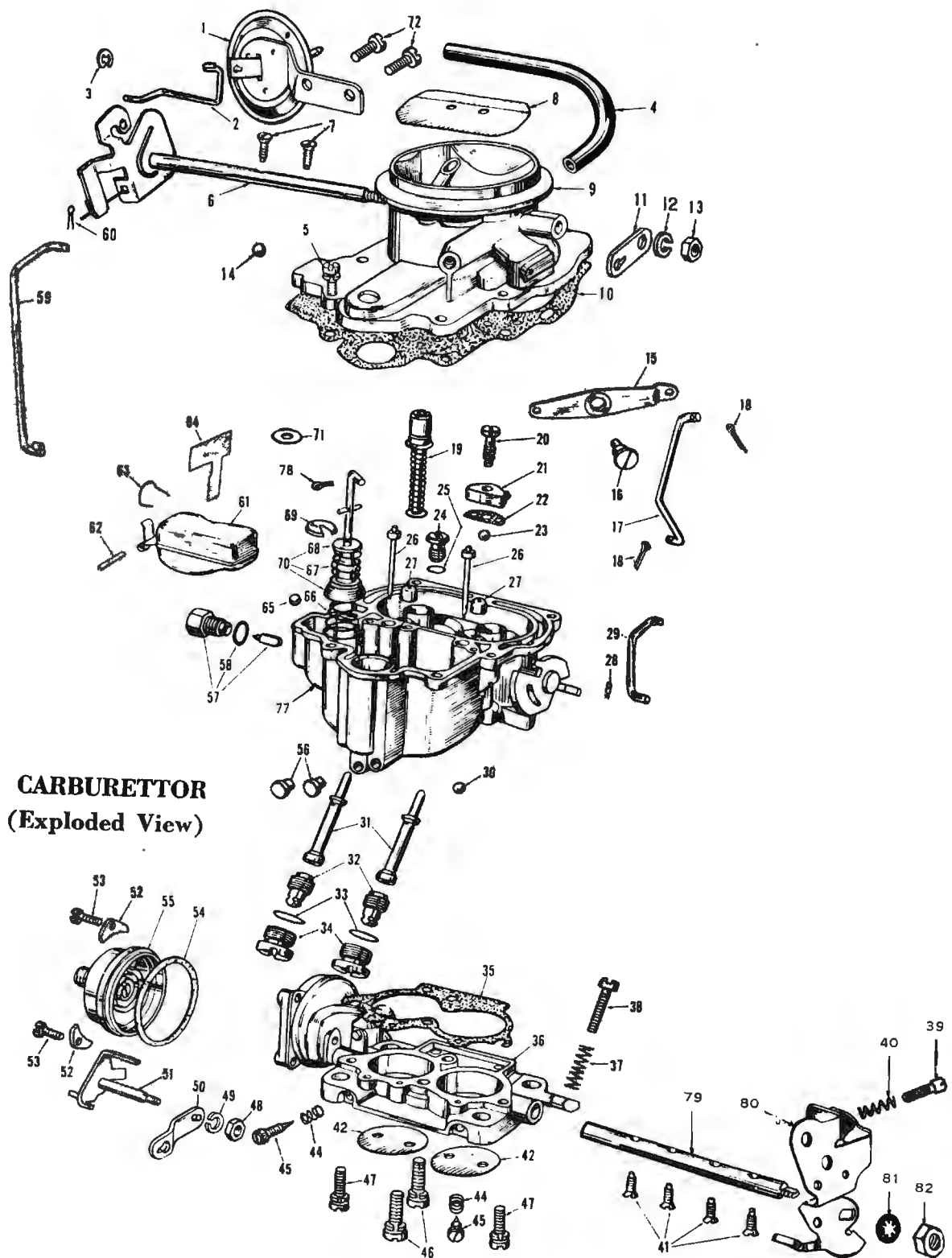
CARBURETTOR - SINGLE BARREL TYPE



CARBURETTOR — SINGLE BARREL TYPE

ILLUSTRATION OPPOSITE

| ILLUS. REF. NO. | PART NAME | GROUP | ILLUS. REF. NO. | PART NAME | GROUP |
|--------------------|--------------------------------------|-------|--------------------|--|-------|
| 1. | ROD — Fast idle | 3.793 | 37. | GASKET — Plug | 3.784 |
| 2. | SHAFT & LEVER ASSY. — Choke | 3.791 | 38. | PLUG — Check valve | 3.784 |
| 3. | SPRING — Choke lever | 3.791 | 39. | JET — Main discharge | 3.754 |
| 4. | SCREW — Choke valve attaching | 3.789 | 40. | JET — Main metering | 3.754 |
| 5. | SCREW — Wire clamp | 3.791 | 41. | GASKET — Metering jet plug | 3.756 |
| 6. | LEVER ASSY. — Choke | 3.791 | 42. | PLUG — Metering jet | 3.756 |
| 8. | CLAMP — Choke cable | 3.795 | 43. | GASKET — Needle valve seat | 3.772 |
| 9. | SCREW & LOCK WASHER — Clamp | 3.795 | 44. | VALVE & SEAT ASSY. | 3.771 |
| 7. | } BRACKET ASSY. — Choke cable | 3.795 | 45. | GASKET — Main body | 3.749 |
| 9. | | | 46. | SPACER — Insulating | 3.748 |
| 10. | SCREW & LOCK WASHER — Bracket | 3.795 | 47. | BODY ASSY. — Throttle | 3.727 |
| 11. | TUBE — Vent | 3.763 | 48. | SHAFT — Throttle | 3.731 |
| 12. | VALVE ASSY. — Choke | 3.789 | 49. | SCREW — Throttle valve | 3.729 |
| 13. | LEVER — Fast idle | 3.792 | 50. | CLIP — Spring | 3.783 |
| 14. | WASHER — Lever attaching nut | 3.792 | 51. | LINK — Pump | 3.783 |
| 15. | NUT — Lever attaching | 3.792 | 52. | LEVER — Pump | 3.780 |
| 16. | VALVE — Idle vent | 3.764 | 53. | WASHER — Pump lever nut | 3.781 |
| 17. | STEM — Idle vent valve | 3.764 | 54. | NUT — Pump lever | 3.781 |
| 18. | SPRING — Idle vent valve | 3.764 | 55. | SPRING — Idle needle valve | 3.742 |
| 19. | SCREW & LOCK WASHER — Air horn | 3.763 | 56. | VALVE — Idle needle | 3.741 |
| 20. | PLUG — Lead ball | 3.767 | 57. | VALVE — Throttle | 3.729 |
| 21. | SCREW & LOCK WASHER — Air horn | 3.763 | 58. | PIN — Fast idle cam | 3.736 |
| 22. | AIR HORN ASSY. | 3.763 | 59. | LEVER — Fast idle | 3.735 |
| 23. | BAR — Reinforcing | 3.763 | 60. | CAM — Fast idle | 3.735 |
| 24. | GASKET — Air horn | 3.765 | 61. | SPRING — Slow idle adjusting screw ... | 3.734 |
| 25. | ROD — Pump | 3.782 | 62. | SCREW — Slow idle adjusting | 3.734 |
| 26. | PIN — Cotter | 3.778 | 63. | LEVER — Throttle | 3.731 |
| 27. | SPRING — Pump stem | 3.779 | 64. | WASHER — Throttle lever nut | 3.731 |
| 28. | PISTON & STEM ASSY. | 3.778 | 65. | NUT — Throttle lever | 3.731 |
| 29. | JET ASSY. — Pump by-pass | 3.757 | 66. | SPRING — Throttle lever return | 3.731 |
| 29A. | GASKET — Pump by-pass | 3.757 | 67. | ROD — Volume restrictor | 3.753 |
| 30. | FLOAT & LEVER ASSY. | 3.773 | 68. | SCREW & LOCK WASHER — Main body .. | 3.748 |
| 31. | SPRING — Float fulcrum pin | 3.775 | 69. | BLEEDER — High speed | 3.751 |
| 32. | PIN — Float fulcrum | 3.775 | 70. | TUBE — Idle | 3.752 |
| 33. | CLIP — Strainer screen | 3.787 | 71. | PLUG — Main body | 3.767 |
| 34. | SCREEN — Pump strainer | 3.787 | 72. | GASKET — Power by-pass | 3.757 |
| 35. | BODY ASSY. — Main | 3.748 | 73. | JET — Power by-pass | 3.757 |
| 36. | VALVE ASSY. — Pump check | 3.784 | 74. | PISTON — Vacuum power | 3.788 |

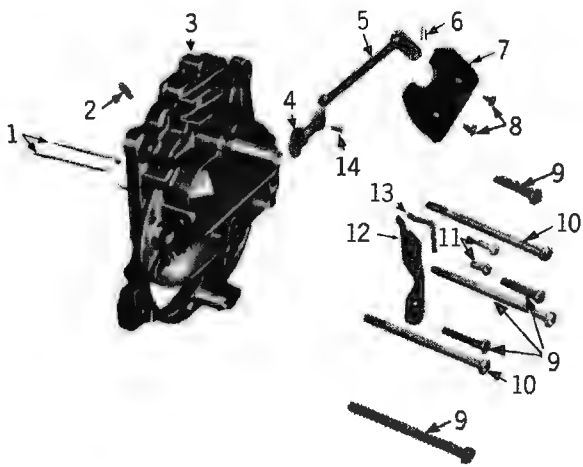


CARBURETTOR
(Exploded View)

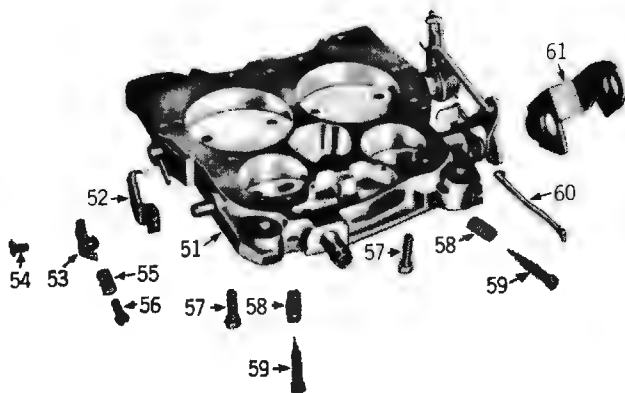
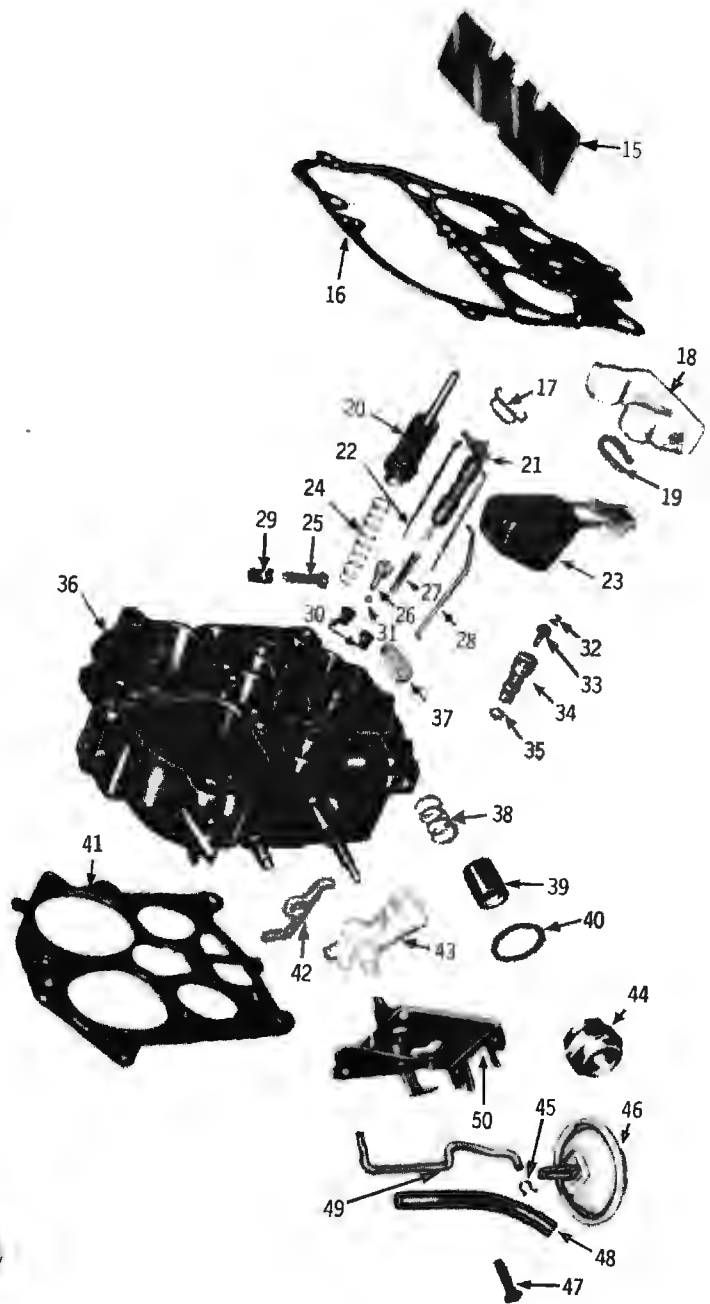
CARBURETTOR – TWO BARREL TYPE

ILLUSTRATION OPPOSITE

| ILLUS. REF. NO. | PART NAME | GROUP | ILLUS. REF. NO. | PART NAME | GROUP |
|--------------------|---------------------------------|-------|--------------------|------------------------------------|-------|
| 1. | DIAPHRAGM ASSEMBLY – Choke kick | 3.799 | 40. | SPRING – Fast idle screen | 3.737 |
| 2. | ROD – Choke kick | 3.799 | 41. | SCREW – Throttle valve | 3.729 |
| 3. | RETAINER – Choke kick rod | 3.799 | 42. | VALVE – Throttle | 3.729 |
| 4. | HOSE – Vacuum | 3.799 | 44. | SPRING – Idle needle valve | 3.742 |
| 5. | SCREW & LOCKWASHER – Air horn | 3.763 | 45. | VALVE – Idle needle | 3.741 |
| 6. | SHAFT & LEVER – Choke | 3.791 | 46. | SCREW & LOCKWASHER – Throttle body | 3.748 |
| 7. | SCREW – Choke valve | 3.789 | 47. | SCREW & LOCKWASHER – Throttle body | 3.748 |
| 8. | VALVE – Choke | 3.789 | 48. | NUT – Thermostat lever | 3.797 |
| 9. | AIR HORN ASSEMBLY | 3.763 | 49. | WASHER – Spring lock | 3.797 |
| 10. | GASKET – Air horn | 3.765 | 50. | LEVER – Thermostat | 3.797 |
| 11. | LEVER – Fast idle | 3.792 | 51. | LEVER & SHAFT – Thermostat | 3.797 |
| 12. | WASHER – Spring lock | 3.792 | 52. | WASHER – Thermostat cover | 3.796 |
| 13. | NUT – Lever | 3.792 | 53. | SCREW – Thermostat cover | 3.796 |
| 14. | PLUG – Lead ball | 3.767 | 54. | GASKET – Thermostat cover | 3.796 |
| 15. | LEVER – Pump | 3.780 | 55. | COVER ASSEMBLY – Thermostat | 3.796 |
| 16. | SCREW – Pump lever | 3.781 | 56. | PLUG – Main body channel | 3.767 |
| 17. | ROD – Pump | 3.783 | 57. | VALVE & SEAT ASSEMBLY – Float | 3.771 |
| 18. | PIN – Cotter | 3.783 | 58. | GASKET – Float needle seat | 3.772 |
| 19. | PISTON – Vacuum power | 3.788 | 59. | ROD – Choke | 3.798 |
| 20. | SCREW – Pump nozzle | 3.759 | 60. | PIN – Cotter | 3.798 |
| 21. | NOZZLE – Pump | 3.758 | 61. | FLOAT & LEVER ASSEMBLY | 3.773 |
| 22. | GASKET – Pump nozzle | 3.758 | 62. | PIN – Float fulcrum | 3.775 |
| 23. | BALL – Pump outlet check | 3.760 | 63. | SPRING – Fulcrum pin | 3.775 |
| 24. | JET – Pump by-pass | 3.757 | 64. | BAFFLE – Float chamber | 3.776 |
| 25. | GASKET – Power by-pass jet | 3.757 | 65. | BALL – Pump inlet check | 3.760 |
| 26. | TUBE – Idle | 3.752 | 66. | SPRING – Pump bottom | 3.779 |
| 27. | BLEEDER – High speed | 3.751 | 67. | SPRING – Pump duration | 3.779 |
| 28. | RETAINER – Fast idle rod | 3.793 | 68. | WASHER – Duration spring retainer | 3.779 |
| 29. | ROD – Fast idle | 3.793 | 69. | WASHER – Duration spring clip | 3.779 |
| 30. | PLUG – Lead ball | 3.767 | 70. | PISTON ASSEMBLY – Pump | 3.778 |
| 31. | JET – Main discharge | 3.754 | 71. | WASHER – Idle vent | 3.764 |
| 32. | JET – Main metering | 3.754 | 72. | SCREW – Diaphragm attaching | 3.799 |
| 33. | GASKET – Metering jet plug | 3.756 | 77. | BODY ASSEMBLY – Main | 3.748 |
| 34. | PLUG – Main metering jet | 3.755 | 78. | PIN – Cotter | 3.778 |
| 35. | GASKET – Main body | 3.749 | 79. | SHAFT – Throttle | 3.731 |
| 36. | BODY ASSEMBLY – Throttle | 3.727 | 80. | LEVER – Throttle | 3.731 |
| 37. | SPRING – Slow idle screw | 3.734 | 81. | WASHER – Throttle lever nut | 3.731 |
| 38. | SCREW – Slow idle | 3.734 | 82. | NUT – Throttle lever | 3.731 |
| 39. | SCREW – Fast idle | 3.737 | | | |



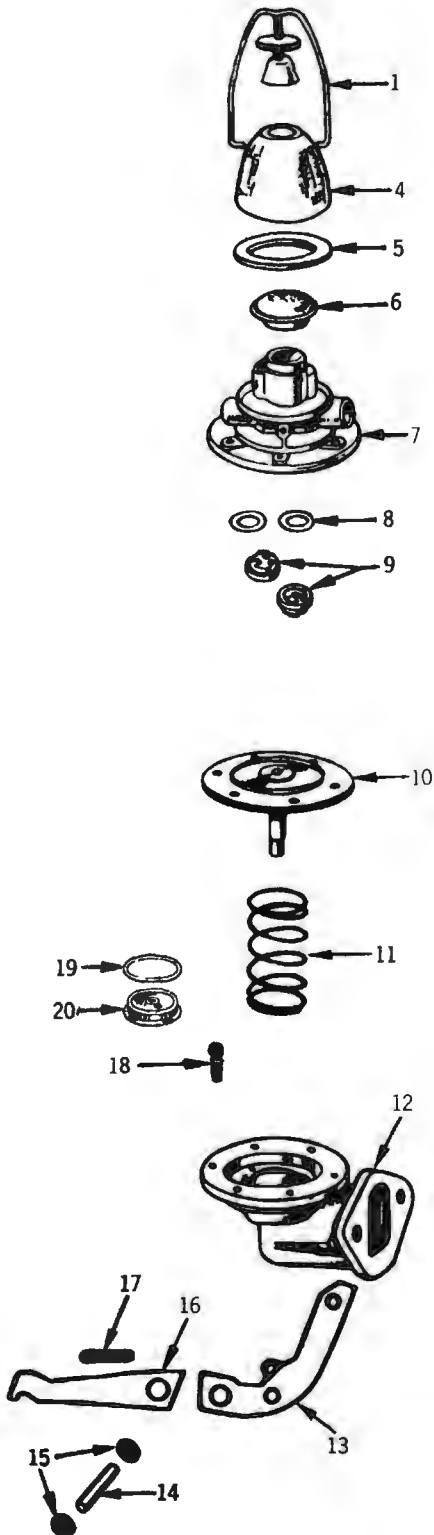
**CARBURETTOR
(Exploded View)**



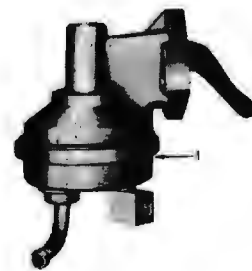
CARBURETTOR — FOUR BARREL TYPE
308, 350 ENGINE
 (ILLUSTRATION OPPOSITE)

| Illus. Ref. No. | Part Name | Group | Illus. Ref. No. | Part Name | Group |
|--------------------|--------------------------------|-------------|--------------------|--------------------------------|--------|
| 1. | ROD—Secondary metering | 3.806 | 30. | JET—Main discharge | 3.754 |
| 2. | PIN—Spring 3/32" x 7/16" | 3.777 | 31. | BALL—Pump discharge | 3.760 |
| 3. | AIR HORN ASSEMBLY | 3.763 | 32/33/34/35. | NEEDLE VALVE & SEAT ASSEMBLY | 3.771 |
| 4. | VALVE—Idle vent | 3.764 | 35. | GASKET—Needle valve seat | 3.772 |
| 5. | SHAFT AND LEVER ASSEMBLY—Choke | 3.791 | 36. | BODY ASSEMBLY—Main | 3.748 |
| 6. | CLIP—Choke rod | 3.798 | 37. | LEVER—Choke intermediate | 3.791 |
| 7. | VALVE—Choke | N.S.S. | 38. | SPRING—Fuel filter | 3.787 |
| 8. | SCREW—Valve attaching | 3.789 | 39. | FILTER—Inlet fuel | 3.787 |
| 5/7/8. | SHAFT & VALVE KIT—Choke | 3.789/3.791 | 40. | GASKET—Fuel filter | 3.787 |
| 9. | SCREW—Air horn attaching | 3.763 | 41. | GASKET—Main body | 3.749 |
| 10. | SCREW—Air horn attaching | 3.763 | 42. | LEVER—Secondary lockout | 3.798 |
| 11. | SCREW—Air horn attaching | 3.763 | 43. | CAM—Fast idle | 3.735 |
| 12. | LEVER—Pump | 3.777 | 44. | NUT—Fuel filter | 3.787 |
| 13. | LEVER—Idle vent valve | N.S.S. | 45. | CLIP—Control rod | 3.799 |
| 14. | SCREW—Idle vent valve | 3.764 | 46. | DIAPHRAGM ASSEMBLY | 3.799 |
| 15. | BAFFLE—Float chamber | 3.776 | 47. | SCREW—Diaphragm attaching | 3.799 |
| 16. | GASKET—Air horn | 3.765 | 48. | HOSE—Vacuum | 3.799 |
| 17. | SPRING—Metering rod | 3.810 | 49. | ROD—Diaphragm control | 3.799 |
| 18. | INSERT—Main well | 3.762 | 50. | BRACKET ASSEMBLY—Diaphragm | 3.799 |
| 19. | PIN—Float fulcrum | 3.775 | 51. | BODY ASSEMBLY—Throttle | 3.727 |
| 20. | PISTON ASSEMBLY—Pump | 3.778 | 52. | LEVER—Cam follower | 3.735 |
| 21. | PISTON ASSEMBLY—Power | 3.788 | 53. | LEVER—Fast idle | 3.735 |
| 22. | ROD—Primary metering | 3.806 | 54. | SCREW—Fast idle and cam levers | 3.735 |
| 23. | FLOAT AND LEVER ASSEMBLY | 3.773 | 55. | SPRING—Fast idle screw | 3.737 |
| 24. | SPRING—Pump return | 3.779 | 56. | SCREW—Fast idle adjusting | 3.737 |
| 25. | SCREW—Slow idle adjusting | 3.734 | 57. | SCREW—Throttle body | 3.748 |
| 26. | RETAINER—Discharge ball | 3.760 | 58. | SPRING—Idle needle valve | 3.742 |
| 27. | SPRING—Power piston | 3.788 | 59. | VALVE—Idle needle | 3.741 |
| 28. | ROD—Choke | 3.798 | 60. | ROD—Pump | 3.783 |
| 29. | SPRING—Slow idle screw | 3.734 | 61. | LEVER—Throttle | N.S.S. |

**FUEL PUMP
(6 Cylinder Engine)**



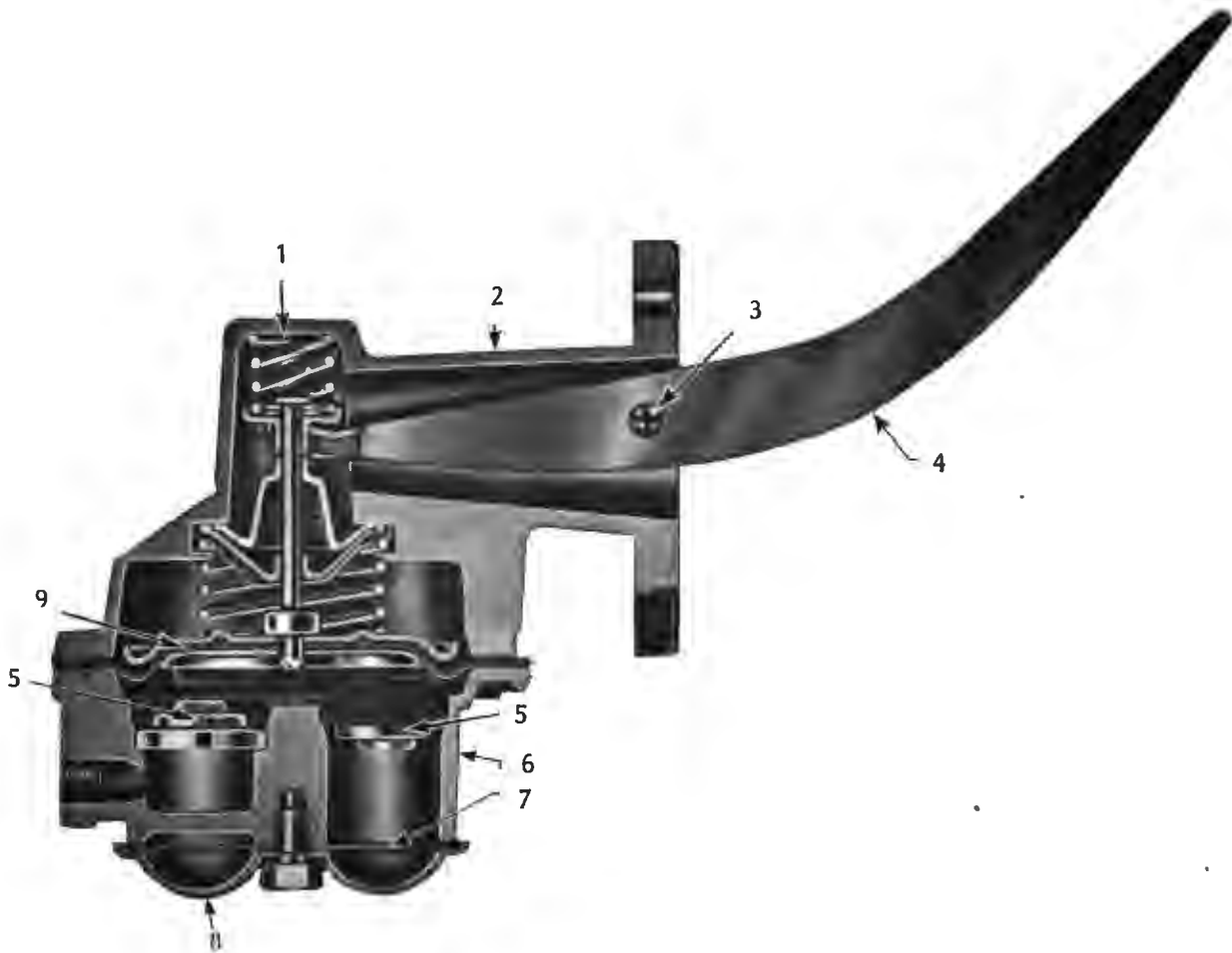
| Illus. Ref. No. | Part Name | Group |
|--------------------|---------------------------------|-------|
| 1. | BAIL AND SCREW | 3.906 |
| 4. | BOWL | 3.903 |
| 5. | GASKET | 3.904 |
| 6. | SCREEN ASSEMBLY | 3.929 |
| 7. | COVER | 3.910 |
| 8. | GASKET | 3.913 |
| 9. | VALVE AND CAGE ASSEMBLY | 3.909 |
| 10. | DIAPHRAGM AND PULL ROD ASSEMBLY | 3.925 |
| 11. | SPRING | 3.927 |
| 12. | BODY | 3.902 |
| 13. | ARM | 3.920 |
| 14. | PIN | 3.921 |
| 15. | PLUG | 3.921 |
| 16. | LINK | 3.931 |
| 17. | SPRING | 3.922 |
| 18. | SCREW AND WASHER | 3.910 |
| 19. | WASHER—Seal | 3.902 |
| 20. | SEAL | 3.902 |



**FUEL PUMP
(350 V8 Engine)**

| Illus. Ref. No. | Part Name | Group |
|--------------------|---------------|-------|
| 1. | PUMP ASSEMBLY | 3.900 |

NOTE! No components serviced.



FUEL PUMP
(253, 308 V8 ENGINE)

| Illus. Ref. No. | Part Name | Group | Illus. Ref. No. | Part Name | Group |
|-----------------|---------------------|-------|-----------------|-------------------------------|-------|
| 1. | SPRING — Rocker arm | 3.922 | 6. | COVER ASSEMBLY | 3.910 |
| 2. | BODY | 3.902 | 7. | PULSATOR — Diaphragm | 3.926 |
| 3. | PIN — Rocker arm | 3.921 | 8. | PLATE — Pulsator cover | 3.926 |
| 4. | ARM — Rocker | 3.920 | 9. | DIAPHRAGM & PULL ROD ASSEMBLY | 3.925 |
| 5. | VALVE ASSEMBLY | 3.909 | | | |

"HQ" PARTS CATALOGUE

| GROUP | DESCRIPTION | MODEL | SIDE | PART No. | QTY. |
|--------------------------|-----------------------------|---|------|----------|------|
| 3.001 | TANK ASSEMBLY – Fuel | | | | |
| TANK ASSEMBLY | | Belmont Sedan, Kingswood Sedan, Premier Sedan W/173, 202, 253 Eng. | | 9929809 | 1 |
| TANK ASSEMBLY | | Belmont Sedan, Kingswood Sedan, Premier Sedan W/(M)308 Eng. | | 9929809 | 1 |
| TANK ASSEMBLY | | Belmont Sedan, Kingswood Sedan, Premier Sedan W/(A)308 Eng. exc. Air Cond. | | 9929809 | 1 |
| TANK ASSEMBLY | | Belmont Sedan, Kingswood Sedan, Premier Sedan W/(A)308 Eng. Air Cond. | | 2822783 | 1 |
| TANK ASSEMBLY | | Station Wagon W/173, 202, 253 Eng. | | 9929810 | 1 |
| TANK ASSEMBLY | | Station Wagon W/(M)308 Eng. | | 9929810 | 1 |
| TANK ASSEMBLY | | Station Wagon W/(A)308 Eng. exc. Air Cond. | | 9929810 | 1 |
| TANK ASSEMBLY | | Station Wagon W/(A)308 Eng. Air Cond. | | 2822784 | 1 |
| TANK ASSEMBLY | | Monaro, G.T.S., L.S. W/173, 202, 253 Eng. | | 9929809 | 1 |
| TANK ASSEMBLY | | Monaro, G.T.S., L.S. W/(M)308 Eng. | | 9929809 | 1 |
| TANK ASSEMBLY | | Monaro, G.T.S., L.S. W/(A)308 Eng. exc. Air Cond. | | 9929809 | 1 |
| TANK ASSEMBLY | | Monaro, G.T.S., L.S. W/(A)308 Eng. Air Cond. | | 2822783 | 1 |
| TANK ASSEMBLY | | 2 Door G.T.S., L.S. W/350 Eng. exc. Air Cond. | | 9929809 | 1 |
| TANK ASSEMBLY | | 4 Door G.T.S. W/350 Eng. exc. Air Cond. | | 9930007 | 1 |
| TANK ASSEMBLY | | 2 Door G.T.S., L.S. W/350 Eng. Air Cond. | | 2822783 | 1 |
| TANK ASSEMBLY | | 4 Door G.T.S. W/350 Eng. exc. Air Cond. | | 9930013 | 1 |
| TANK ASSEMBLY | | Statesman W/173, 202, 253 Eng. exc. De Ville | | 9929811 | 1 |
| TANK ASSEMBLY | | Statesman W/(M)308 Eng. | | 9929811 | 1 |
| TANK ASSEMBLY | | Statesman W/(A)308 Eng. exc. De Ville, Air Cond. | | 9929811 | 1 |
| TANK ASSEMBLY | | Statesman W/(A)308 Eng. Air Cond. exc. De Ville | | 9929817 | 1 |
| TANK ASSEMBLY | | Statesman W/350 Eng. exc. De Ville, Air Cond. | | 9929811 | 1 |
| TANK ASSEMBLY | | Statesman W/350 Eng. Air Cond. exc. De Ville | | 9929817 | 1 |
| TANK ASSEMBLY | | De Ville exc. Air Cond. | | 9929811 | 1 |
| TANK ASSEMBLY | | De Ville Air Cond. | | 9929817 | 1 |
| TANK ASSEMBLY | | Utility, Panel Van W/173, 202, 253 Eng. | | 2822789 | 1 |
| TANK ASSEMBLY | | Utility, Panel Van W/(M)308 Eng. | | 2822789 | 1 |
| TANK ASSEMBLY | | Utility, Panel Van W/(A)308 Eng. exc. Air Cond. | | 2822789 | 1 |
| TANK ASSEMBLY | | Utility, Panel Van W/(A)308 Eng. Air Cond. | | 2822791 | 1 |
| TANK ASSEMBLY | | Chassis & Cab | | 2822790 | 1 |
| STRAP – Support | | 35, 37, 69 | | 2813652 | 2 |
| BRACKET – Retaining | | 35, 37, 69 | | 2809593 | 2 |
| BRACKET – Mounting, rear | | 35, 37, 69 | | 2809594 | 2 |
| BRACKET – Mounting, rear | | 60, 70, 80 | | 2815292 | 2 |
| STRAP – Lower outer | | 60, 70, 80 | | 2822348 | 1 |
| STRAP – Upper outer | | 60, 70, 80 | | 2817929 | 1 |
| ARRESTOR – Rear | | 60, 70, 80 | | 2817932 | 2 |
| BRACKET – Inner support | | 60 | | 2817934 | 1 |
| BRACKET – Outer support | | 60 | | 2817933 | 1 |
| STRAP – Lower inner | | 60 | | 2822349 | 1 |
| STRAP – Upper inner | | 60 | | 2817935 | 1 |
| ARRESTOR – Front | | 60 | | 2820060 | 2 |
| REINFORCEMENT – Strap | | 60 | | 2817926 | 1 |
| STRAP – Lower inner | | 70, 80 | | 2822350 | 1 |
| STRAP – Upper Inner | | 70, 80 | | 2817928 | 1 |

"HQ" PARTS CATALOGUE

| GROUP | DESCRIPTION | MODEL | SIDE | PART No. | QTY. |
|--------------|---|---------------------------------|------|----------|------|
| 3.001 | TANK ASSEMBLY – Fuel (contd.) | | | | |
| | ARRESTOR – Front | 70, 80 | | 2817925 | 1 |
| | REINFORCEMENT – Outer strap | 70, 80 | | 2817926 | 2 |
| | GUARD – Stone | 35, 37, 69 exc. 818 | | 2814714 | 1 |
| | SPACER | 35, 37, 69 exc. 818 | | 2814677 | 2 |
| | GUARD PACKAGE – Stone | 35, 37, 69 exc. (M) 818 | | 2819820 | 1 |
| 3.003 | HOSE, PIPE ASSEMBLY – Fuel tank filler and vent | | | | |
| | HOSE – Filler neck | 35 | | 7423709 | 1 |
| | HOSE – Filler pipe to tank | 60, 70, 80 | | 2820037 | 1 |
| | CLAMP – Hose, filler neck | 35 | | SP1609 | 2 |
| | HOSE – Vent pipe (use with 1 or 2 vent pipe tank) | 35, 37, 69 | | 7438532 | 1 |
| | HOSE – Vent pipe (use with 3 or 4 vent pipe tank) | 35, 37, 69 | | 9928895 | 3 |
| | HOSE – Vent pipe, 1 $\frac{3}{8}$ " long | 35, 60, 70, 80 | | 7419016 | 2-1 |
| | HOSE – Vent pipe $\frac{3}{4}$ " O.D. | 70, 80 | | 2824999 | 1 |
| | HOSE – Vent pipe $\frac{1}{2}$ " O.D. | 70, 80 | | 2816565 | 1 |
| | CLAMP – Hose to vent pipe | 35, 60, 70, 80 | | 272847 | 4 |
| | CLAMP – Vent hose to pipe | Exc. 60 | | 7441715 | A.R. |
| | PIPE ASSEMBLY – Filler | 37, 69 exc. 814, 815, 816 | | 2813656 | 1 |
| | PIPE ASSEMBLY – Filler | 814, 815, 816 | | 2813893 | 1 |
| | PIPE ASSEMBLY – Filler, lower | 35 | | 2813664 | 1 |
| | PIPE ASSEMBLY – Filler, upper | 35 | | 2822300 | 1 |
| | PIPE ASSEMBLY – Filler, upper | 60 | | 2820058 | 1 |
| | PIPE ASSEMBLY – Filler, upper | 70, 80 | | 2822491 | 1 |
| | PROTECTOR – Filler pipe | 35 | | 2823058 | 1 |
| | PROTECTOR – Filler pipe | 37, 69 exc. 814, 815, 816 | | 2810394 | 1 |
| | PROTECTOR – Filler pipe | 814, 815, 816 | | 2810395 | 1 |
| | PIPE – Vent, upper breather (use with 1 or 2 vent pipe tank) | 35, 37, 69 | | 2818975 | 1 |
| | PIPE – Vent, lower breather (use with 1 or 2 vent pipe tank) | 35, 37, 69 | | 2818974 | 1 |
| | PIPE – Breather vent, upper (use with 3 or 4 vent pipe tank) | 35, 37, 69 | | 9929804 | 1 |
| | PIPE – Breather vent, lower (use with 3 or 4 vent pipe tank) | 35, 37, 69 | | 9929801 | 1 |
| | PIPE – Vent upper (Right hand) (use with 3 or 4 vent pipe tank) | 35, 37, 69 | | 9929806 | 1 |
| | PIPE – Vent lower (Right hand) (use with 3 or 4 vent pipe tank) | 35, 37, 69 | | 9929802 | 1 |
| | PIPE – Vent upper (Left hand) (use with 3 or 4 vent pipe tank) | 35, 37, 69 | | 9929807 | 1 |
| | PIPE – Vent lower (Left hand) (use with 3 or 4 vent pipe tank) | 35, 37, 69 | | 9929805 | 1 |
| | PIPE – Vent | 35 | | 2822257 | 1 |
| | PIPE – Vent, upper | 35 | | 7424765 | 1 |
| | PIPE – Vent, lower | 35 | | 2822272 | 1 |
| | CLIP – Vent, pipe to side frame | 35 | | 2822269 | 1 |
| | PIPE – Filler vent – Upper | 60 | | 2820055 | 1 |
| | PIPE – Filler vent – Upper | 70, 80 | | 2822488 | 1 |
| | PIPE – Filler vent – Lower | 60, 70, 80 | | 2820052 | 1 |
| | PIPE – Vent, upper | 70, 80 | | 2822490 | 1 |
| | PIPE – Vent, lower | 70, 80 | | 2817923 | 1 |
| | GROMMET – Fuel pipe to inner panel | 70, 80 | | 2820035 | 1 |
| | GROMMET – Vent pipe to panel | 70, 80 | | 2822489 | 1 |
| | CLIP – Vent pipe | ALL | | 2823630 | 3-2 |
| | CLIP – Vent pipe to rear floor pan (use with 3 or 4 vent pipe tank) | 35, 37, 69 | | 9929832 | 1 |
| | CLIP – Vent pipe to quarter inner panel (use with 3 or 4 vent pipe tank) | 35, 37, 69 | | 2806758 | 1 |
| | CLIP – Vent pipe to side frame (use with 3 or 4 vent pipe tank) | 35, 37, 69 | | SP2095 | 1 |

"HQ" PARTS CATALOGUE

| GROUP | DESCRIPTION | MODEL | SIDE | PART No. | QTY. |
|--------------|--|---|------|----------|------|
| 3.008 | GASKET – Fuel tank filler pipe | | | | |
| | GASKET | 35, 70, 80 | | 7424218 | 1 |
| 3.024 | ANTISQUEAK – Fuel tank | | | | |
| | ANTISQUEAK – Front | 60 | | 2820053 | 2 |
| | ANTISQUEAK – Front | 70, 80 | | 2820057 | 1 |
| | ANTISQUEAK – Rear | 60, 70, 80 | | 2820056 | 2 |
| 3.028 | CAP – Fuel tank filler | | | | |
| | CAP ASSEMBLY | 37, 69 | | 3850591 | 1 |
| | CAP ASSEMBLY | 60 | | 3931449 | 1 |
| | CAP - Less handle (Prime finish) | 35, 70, 80 | | 7424161 | 1 |
| | HANDLE – Fuel tank cap (Prime finish) | 135, 235, 335, 435, 70, 80 | | 7426802 | 1 |
| | HANDLE – Fuel tank cap (Plated finish) | 1135, 1235 | | 7424162 | 1 |
| | CAP ASSEMBLY – Locking – Plated finish | 35, 70, 80 | | 7420483 | 1 |
| | CAP ASSEMBLY – Locking | 37, 69 | | 2820519 | 1 |
| | CAP ASSEMBLY – Locking | 60 | | 9929784 | 1 |
| 3.107 | GAUGE ASSEMBLY – Fuel – Tank unit | | | | |
| | GAUGE ASSEMBLY | 35, 37, 69 W/173, 202, 253 Eng. | | 9929079 | 1 |
| | GAUGE ASSEMBLY | 35, 37, 69 W/(M)308 Eng. | | 9929079 | 1 |
| | GAUGE ASSEMBLY | 35, 37, 69 W/(A)308 Eng. exc. Air Cond. | | 9929079 | 1 |
| | GAUGE ASSEMBLY | 37, 69 W/350 Eng. exc. Air Cond. | | 9929079 | 1 |
| | GAUGE ASSEMBLY | 35, 37, 69 W/(A)308 Eng. Air Cond. | | 9929084 | 1 |
| | GAUGE ASSEMBLY | 37, 69 W/350 Eng. Air Cond. | | 9929084 | 1 |
| | GAUGE ASSEMBLY | 60, 70, 80 exc. (A)308 Eng. Air Cond. | | 2815305 | 1 |
| | GAUGE ASSEMBLY | 70, 80, W/(A)308 Eng. Air Cond. | | 2819813 | 1 |
| | RING – Fuel gauge tank unit retainer | ALL | | 3774937 | 1 |
| 3.110 | STRAINER – Fuel tank riser pipe | | | | |
| | STRAINER | ALL | | 2824038 | 1 |
| 3.112 | SEAL – Fuel gauge tank unit | | | | |
| | SEAL | ALL | | 7421765 | 1 |
| 3.158 | PIPE ASSEMBLY – Fuel | | | | |
| | PIPE ASSEMBLY – Fuel tank to pump, front | 35, 37, 69 | | 2815519 | 1 |
| | PIPE ASSEMBLY – Fuel tank to pump, rear | 35 | | 2815521 | 1 |
| | PIPE ASSEMBLY – Fuel tank to pump, rear | 37, 69 exc. 814, 815, 816 | | 2815520 | 1 |
| | PIPE ASSEMBLY – Fuel tank to pump, rear | 814, 815, 816 | | 2815521 | 1 |
| | PIPE – Fuel tank to pump, front | 60, 70, 80 | | 2820677 | 1 |
| | PIPE – Fuel tank to pump, rear | 60 | | 2822149 | 1 |
| | PIPE – Fuel tank to pump, rear | 70, 80 | | 2822032 | 1 |
| 3.159 | HOSE, PIPE, SEPARATOR – Vapour return | | | | |
| | HOSE – Separator to front pipe | (A) 308 Eng. Air Cond. | | 2809933 | 1 |
| | HOSE – Vapour return pipe, gauge | (A) 308 Eng. 70, 80 Air Cond. | | 2809932 | 1 |
| | HOSE – Rear vapour pipe to front pipe & tank | (A) 308, 350 Eng. Air Cond. | | 2810519 | 2 |
| | HOSE – Filter to vapour return pipe | (A) 350 Eng. Air Cond. | | 3916163 | 1 |
| | HOSE – Vapour return, front | (A) 350 Eng. Air Cond. | | 2809969 | 1 |
| | CLAMP – Vapour hose | (A) 308, 350 Eng. Air Cond. | | SP1605 | A.R. |
| | CLAMP – Vapour hose | (A) 350 Eng. Air Cond. | | 7441715 | 3 |
| | CLIP – Fuel pipe to vapour return pipe | (A) 308, 350 Eng. Air Cond. | | 599119 | 9-10 |
| | CLIP – Fuel pipe lower to vapour return pipe | (A) 350 Eng. Air Cond. | | 531433 | 2 |
| | CLIP – Vapour return pipe | 308, 350 Eng. 35, 37, 69, Air Cond. | | 2809928 | 1 |
| | CLIP – Fuel gauge vapour return | (A) 308 Eng. 70, 80, Air Cond. | | 2809928 | 1 |
| | PIPE – Vapour return, front | (A) 308 Eng. 35, 37, 69, Air Cond. | | 2815592 | 1 |
| | PIPE – Vapour return, rear | (A) 308, 350 Eng. 37, 69, Air Cond. | | | |
| | | exc. 814, 816 | | 2815589 | 1 |
| | SEPARATOR ASSEMBLY | (A) 308 Eng. Air Cond. | | 2820246 | 1 |
| | PIPE – Vapour return, rear | (A) 308, 350 Eng. 35, 814, 816 Air Cond. | | 2815590 | 1 |

"HQ" PARTS CATALOGUE

| GROUP | DESCRIPTION | MODEL | SIDE | PART No. | QTY. |
|--|---|-------------------------------------|------|--------------------------|------|
| 3.159 HOSE, PIPE, SEPARATOR – Vapour return (contd.) | | | | | |
| | PIPE – Vapour return, front | (A) 308 Eng. 70, 80, Air Cond. | | 2822330 | 1 |
| | PIPE – Vapour return, rear | (A) 308 Eng. 70, 80, Air Cond. | | 2822329 | 1 |
| | PIPE – Vapour return, front | (A) 350 Eng. Air Cond. | | 2815591 | 1 |
| | PIPE – Vapour return, filter to pipe | (A) 350 Eng. 37, Air Cond. | | (¹⁸ 3995678) | 1 |
| | PIPE – Vapour return, filler to pipe | (A) 350 Eng. Air Cond. | | (¹⁸ 2825630) | 1 |
| 3.163 HOSE – Fuel line | | | | | |
| | HOSE – Fuel, front | 173, 202 Eng. | | 7439828 | 1 |
| | HOSE – Fuel, front | 253, 308 Eng. | | 2815522 | 1 |
| | HOSE – Fuel, front | 350 Eng. | | 2806600 | 1 |
| | HOSE – Fuel, rear | ALL | | 7434210 | 1 |
| | HOSE – Fuel, front to rear pipe | ALL | | 7434210 | 1 |
| | CLAMP – Hose | ALL | | 3786275 | A.R. |
| | CLAMP – Hose to fuel pump | 350 Eng. | | 3786276 | 1 |
| | CONNECTOR – Hose to fuel pump | 173, 202 Eng. | | 3750685 | 1 |
| | CONNECTOR – Hose to fuel pump | 253, 308 Eng. | | 7435003 | 1 |
| 3.201 PIPE ASSEMBLY – Carburettor fuel | | | | | |
| | PIPE ASSEMBLY | 173, 202 Eng. | | 7426211 | 1 |
| | PIPE ASSEMBLY | 253 Eng. | | 2814819 | 1 |
| | PIPE ASSEMBLY | 308 Eng. exc. Air Cond. | | 2814127 | 1 |
| | PIPE | 308 Eng. Air Cond. | | 2814818 | 1 |
| | PIPE | 350 Eng. exc. Air Cond. | | (¹⁸ 3959576) | 1 |
| | PIPE | 350 Eng. exc. Air Cond. | | (¹⁸ 6262914) | 1 |
| | PIPE – Upper | (A) 350 Eng. Air Cond. | | (¹⁸ 3989077) | 1 |
| | PIPE – Upper | (A) 350 Eng. Air Cond. | | (¹⁸ 2825629) | 1 |
| | PIPE – Lower | (A) 350 Eng. Air Cond. | | 2825631 | 1 |
| | HOSE – Fuel filter | (A) 350 Eng. Air Cond. | | 2809969 | 2 |
| | CLAMP – Fuel filter hose | (A) 350 Eng. Air Cond. | | 3786276 | 4 |
| 3.202 PIPE FITTINGS | | | | | |
| | CLIP – Fuel pipe to rear brake pipe | ALL | | 599119 | A.R. |
| | CLIP – Fuel pipe & brake pipe to under body & frame | ALL | | SP2357 | 1 |
| | CLIP – Fuel pipe to underbody | 60, 70, 80 | | 2823630 | 2 |
| | CLIP – Fuel & brake pipe to frame | 35, 37, 69 | | SP2357 | 1 |
| | CLIP – Fuel pipe to frame & cross member | ALL | | SP2367 | A.R. |
| | CLIP – Carburettor fuel pipe | 173, 202 Eng. | | 7423305 | 1 |
| | CLIP – Fuel pipe to frame & cross member | ALL | | SP2367 | 2 |
| 3.260 HOSE, OUTLET, INLET, CLAMP – Inlet manifold water | | | | | |
| | HOSE – Inlet | 173 Eng. | | 9928722 | 1 |
| | HOSE – Inlet | 202 Eng. exc. Air Cond. | | 9928722 | 1 |
| | HOSE – Inlet | 202 Eng. Air Cond. | | 2815207 | 1 |
| | HOSE – Outlet | 173, 202 Eng. exc. heater | | 2820830 | 1 |
| | HOSE – Inlet | 253 Eng. exc. heater | | 2805685 | 1 |
| | HOSE – Inlet | 253 Eng. with heater | | 2820471 | 1 |
| | HOSE – Outlet | 253 Eng. exc. heater | | 2822947 | 1 |
| | HOSE – Inlet | 308 Eng. exc. heater | | 2808162 | 1 |
| | HOSE – Inlet | 308 Eng. with heater | | 2820472 | 1 |
| | HOSE – Outlet | 308 Eng. exc. heater | | 2822948 | 1 |
| | OUTLET | 308 Eng. exc. heater | | 2807717 | 1 |
| | INLET | 308 Eng. | | 2820473 | 1 |
| | CLAMP – Hose 1.03" | Exc. 350 Eng. | | SP1610 | A.R. |
| 3.261 GASKET – Inlet manifold water outlet | | | | | |
| | GASKET | 308 Eng. | | 2808164 | 1 |

Note: (¹⁸ Casting No. 3973469 on the top rear surface of Inlet Manifold.
(¹⁸ Casting No. 6263751 on the top rear surface of Inlet Manifold.

"HQ" PARTS CATALOGUE

| GROUP | DESCRIPTION | MODEL | SIDE | PART No. | QTY. |
|--------------|--|----------------------------------|------|--------------------------|------|
| 3.265 | MANIFOLD – Inlet | | | | |
| | MANIFOLD | 173, 202 Eng. | | 2820815 | 1 |
| | MANIFOLD | 253 Eng. | | 2805483 | 1 |
| | MANIFOLD | 308 Eng. | | 2812094 | 1 |
| | MANIFOLD | 350 Eng. | | (¹² 3990947) | 1 |
| | MANIFOLD | 350 Eng. | | (¹³ 6262932) | 1 |
| | ADAPTOR – Vacuum – Single | 350 Eng. | | 2819959 | 1 |
| | ADAPTOR – Vacuum – 2 way | ALL | | 2818821 | 1 |
| | ADAPTOR – Vacuum – 3 way | (A) 202, 350 Eng. Air Cond. | | 2818168 | 1 |
| | ADAPTOR – Vacuum – 3 way | 253, 308 Eng. | | 2820582 | 1 |
| 3.270 | GASKET – Manifold | | | | |
| | GASKET SET | 173, 202 Eng. | | 7430496 | 1 |
| | GASKET | 173, 202 Eng. | | 7429521 | 1 |
| | GASKET SET – Inlet manifold | 253, 308 Eng. | | 2811259 | 1 |
| | GASKET – Inlet | 253, 308 Eng. | | 7435140 | 2 |
| | RETAINER – Inlet manifold gasket | 253, 308 Eng. | | 7435071 | 4 |
| | SEAL – Inlet manifold front | 253, 308 Eng. | | 7434979 | 1 |
| | SEAL – Inlet manifold rear | 253, 308 Eng. | | 7434980 | 1 |
| | GASKET SET – Inlet | 350 Eng. | | 3957985 | 1 |
| 3.273 | CLAMP – Manifold | | | | |
| | CLAMP – Small | 173, 202 Eng. | | 7420151 | 4 |
| | CLAMP – Large | 173, 202 Eng. | | 3789898 | 2 |
| 3.275 | STUD, BOLT – Inlet and exhaust manifold | | | | |
| | STUD – Inlet and exhaust manifold | 173, 202 Eng. | | 7429476 | 4 |
| | STUD – Manifold locating | 173, 202 Eng. | | 3835487 | 2 |
| | STUD – Exhaust pipe to manifold | 173, 202 Eng. | | 7414906 | 2 |
| | STUD – Exhaust pipe to front exhaust manifold | 253, 308 Eng. | | 7437291 | 4 |
| | PLATE – Bolt lock | 253, 308 Eng. | | 7437450 | 4 |
| | WASHER – Exhaust manifold to cyl. head | 253, 308 Eng. | | 3836710 | 12 |
| | STUD – Inlet manifold, No. 4 RH | 350 Eng. | | (¹³ 3776391) | 1 |
| | STUD – Crossover pipe to manifold | 350 Eng. | LH | 3760426 | 3 |
| | | | RH | 3760425 | 3 |
| | BOLT – Exhaust manifold, centre hole LH | 350 Eng. | | 3733134 | 2 |
| | BOLT – Exhaust manifold end holes | 350 Eng. | | 3733130 | 10 |
| | NUT – Exhaust pipe to manifold | 173, 202, 350 Eng. | | 3829086 | 2-6 |
| | BOLT – Exhaust manifold, hex. hd. $\frac{5}{8}$ " – 16 x $3\frac{3}{32}$ " | (A) 350 Eng. Air Cond. | | 3841724 | 2 |
| | BOLT – Inlet manifold No.1, No.2 LH, No.6 RH | 350 Eng. | | 3736035 | 3 |
| | STUD – Oil splash guard | 350 Eng. | | 3959544 | 4 |
| | WASHER – Exhaust manifold end holes | 350 Eng. | | 3754153 | 8 |
| | LOCK – Exhaust manifold end holes | 350 Eng. | | 3880844 | 4 |
| 3.288 | STUD – Carburettor to manifold | | | | |
| | STUD | 173, 202 Eng. | | 7429464 | 2 |
| | STUD – $\frac{5}{16}$ " x 1.54" | 253, 308 Eng. | | SP1763 | 2-4 |
| | STUD | 350 Eng. | | 3959570 | 2 |
| 3.402 | AIR CLEANER and SILENCER ASSEMBLY | | | | |
| | AIR CLEANER and SILENCER ASSEMBLY – Single element | 173, 202 Eng. | | 2815942 | 1 |
| | AIR CLEANER ASSEMBLY – Dual element | 173, 202 Eng. | | 7438769 | 1 |
| | AIR CLEANER and SILENCER ASSEMBLY | 253 Eng. | | 2823654 | 1 |
| | AIR CLEANER and SILENCER ASSEMBLY | 308 Eng. | | 2823655 | 1 |
| | AIR CLEANER and SILENCER ASSEMBLY | 350 Eng. | | 6485499 | 1 |
| | TRANSFER | 253 Eng. | | 2807728 | 1 |
| | TRANSFER | 308 Eng. | | 2823658 | 1 |
| | TRANSFER | 350 Eng. | | 2810221 | 1 |

Note: (¹² Casting No. 3973469 on the top rear surface of Inlet Manifold.
(¹³ Casting No. 6263751 on the top rear surface of Inlet Manifold.

"HQ" PARTS CATALOGUE

| GROUP | DESCRIPTION | MODEL | SIDE | PART No. | QTY. |
|--------------|---|--------------------|------|----------|------|
| 3.403 | ROD, CLAMP, BOLT, BRIDGE, GASKET – Air cleaner | | | | |
| | ROD | 173, 202 Eng. | | 7419668 | 1 |
| | CLAMP | 173, 202 Eng. | | 7419667 | 1 |
| | BOLT – Dual element cleaner | 173, 202 Eng. | | 7426138 | 1 |
| | BRIDGE – Dual element cleaner | 173, 202 Eng. | | 7426133 | 1 |
| | BRIDGE | 253 Eng. | | 7437297 | 1 |
| | GASKET – Air cleaner to carburettor | 253 Eng. | | 3708408 | 1 |
| | GASKET – Air cleaner to carburettor | 308, 350 Eng. | | 3919812 | 1 |
| 3.410 | ELEMENT, NUT, CLIP – Air cleaner | | | | |
| | ELEMENT | 173, 202 Eng. | | 7422739 | 1 |
| | ELEMENT – Paper – Dual element cleaner | 173, 202 Eng. | | 7414198 | 1 |
| | ELEMENT – Foam rubber – Dual element cleaner | 173, 202 Eng. | | 7426139 | 1 |
| | COVER – Dual element cleaner | 173, 202 Eng. | | 7426135 | 1 |
| | CLIP – Cover – Dual element cleaner | 173, 202 Eng. | | 7426148 | 3 |
| | GASKET – Air cleaner | 253 Eng. | | 7437296 | 1 |
| | ELEMENT | 253, 308 Eng. | | 7437298 | 1 |
| | GASKET – Air cleaner, top | 350 Eng. | | 1554094 | 1 |
| | ELEMENT | 350 Eng. | | 6483645 | 1 |
| | FILTER – Positive crankcase ventilator | 350 Eng. | | 6485974 | 1 |
| | CLIP – Filter retaining | 350 Eng. | | 6420265 | 1 |
| | NUT – Wing, 1/4" – 20 (Single element cleaner) | 173, 202 Eng. | | SP2415 | 1 |
| | NUT – Wing, 1/4" – 20 | 253, 308 Eng. | | SP2415 | 1 |
| | NUT – Wing, 1/4" – 20 chrome plated | 350 Eng. | | SP1919 | 1 |
| | STUD | 308 Eng. | | 2809100 | 1 |
| | STUD | 350 Eng. | | 3921975 | 1 |
| 3.430 | COMPONENTS – Throttle control linkage | | | | |
| | ROD – Accelerator relay | ALL | | 2814049 | 1 |
| | SHAFT & BEARING ASSY. – Accelerator relay | ALL | | 2814050 | 1 |
| | CLIP – Pedal lever to relay rod | ALL | | SP2110 | 1 |
| | CLIP – Rod to accelerator relay | ALL | | 7403054 | 1 |
| | ROD – Throttle control | 173, 202 Eng. | | 2814052 | 1 |
| | CLIP – Control rod to accelerator relay | 173, 202 Eng. | | 7403387 | 1 |
| | BRACKET ASSY. – Throttle relay support | 173, 202 Eng. | | 2815150 | 1 |
| | LEVER ASSY. – Throttle relay | 173, 202 Eng. | | 2814053 | 1 |
| | WASHER – Relay lever anti-rattle | 173, 202 Eng. | | 7400949 | 1 |
| | TRUNNION – Throttle rod adjusting | 173, 202 Eng. | | 2815801 | 1 |
| | ROD – Throttle relay | 173, 202 Eng. | | 2814055 | 1 |
| | CLIP – Relay lever to throttle rod | 173, 202 Eng. | | 7403054 | 1 |
| | ROD – Throttle torsion | 173, 202 Eng. | | 2816748 | 1 |
| | BEARING – Throttle torsion rod | 173, 202 Eng. | | 7448698 | 1 |
| | SUPPORT – Torsion rod bearing | 173, 202 Eng. | | 7448697 | 1 |
| | CLIP – Torsion rod to throttle rod | 173, 202 Eng. | | 7403054 | 1 |
| | CLIP – Torsion rod to carburettor | 173, 202 Eng. | | 7403387 | 1 |
| | SPRING – Torsion rod anti-rattle | 173, 202 Eng. | | 7428865 | 1 |
| | ROD – Throttle control | 253, 308 Eng. | | 2816624 | 1 |
| | CLIP – Control rod | 253, 308 Eng. | | 7403387 | 2 |
| | BRACKET & LEVER ASSY. – Throttle relay support | 253, 308 Eng. | | 2816622 | 1 |
| | ROD – Relay lever to carburettor | 253 Eng. | | 2816625 | 1 |
| | ROD – Relay lever to carburettor | 308 Eng. | | 2816626 | 1 |
| | CLIP – Carburettor rod to relay lever | 253, 308 Eng. | | 7403054 | 1 |
| | TRUNNION – Rod to carburettor | 253 Eng. | | 2815801 | 1 |
| | WASHER – Trunnion to carb. spring | 253 Eng. | | SP1003 | 1 |
| | TRUNNION – Rod to carburettor | 308 Eng. | | 2807836 | 1 |
| | ROD – Throttle control | 350 Eng. | | 2817816 | 1 |
| | CLIP – Control rod | 350 Eng. | | 7403387 | 2 |
| | BRACKET & LEVER ASSY. – Throttle relay support | 350 Eng. | | 2817817 | 1 |
| | ROD – Relay lever to carburettor | 350 Eng. | | 2817818 | 1 |
| | CLIP – Carburettor rod to relay lever | 350 Eng. | | 7403054 | 1 |
| | TRUNNION – Rod to carburettor | 350 Eng. | | 2807836 | 1 |

"HQ" PARTS CATALOGUE

| GROUP | DESCRIPTION | MODEL | SIDE | PART No. | QTY. |
|--------------|---|---|------|----------|------|
| 3.451 | PEDAL ASSEMBLY – Accelerator | | | | |
| | PEDAL ASSEMBLY | ALL | | 2815916 | 1 |
| | LEVER & BRACKET ASSEMBLY – Pedal | (M) | | 2814045 | 1 |
| | LEVER & BRACKET ASSEMBLY – Pedal | (A) | | 2819261 | 1 |
| | PIN – Pedal to lever | ALL | | 2814047 | 1 |
| | TRIM – Pedal | Statesman | | 2815915 | 1 |
| 3.459 | SPRING – Accelerator | | | | |
| | SPRING – Pedal tension | ALL | | 3909982 | 1 |
| | SPRING – Return | 253 Eng. | | 7439834 | 1 |
| | SPRING – Return | 308 Eng. | | 2811811 | 1 |
| | SPRING – Return | 350 Eng. | | 7438886 | 1 |
| | BRACKET – Return Spring | 253 Eng. | | 7439462 | 1 |
| | BRACKET – Return Spring | 308 Eng. | | 2807754 | 1 |
| | BRACKET | 350 Eng. | | 7448642 | 1 |
| 3.521 | CONTROL ASSEMBLY – Choke | | | | |
| | CONTROL ASSEMBLY – Choke | 173, 202 Eng. | | 2816506 | 1 |
| | GROMMET – Choke control to dash panel | 173, 202 Eng. | | 7409643 | 1 |
| | GROMMET – Choke cable to instrument carrier | 173, 202 Eng. | | SP2326 | 1 |
| | BRACKET – Choke and plenum chamber control | 173, 202 Eng. | | 2816465 | 1 |
| 3.601 | MANIFOLD ASSEMBLY – Exhaust | | | | |
| | MANIFOLD ASSEMBLY | 173, 202 Eng. | | 7429514 | 1 |
| | MANIFOLD ASSEMBLY | 253, 308 Eng. | LH | 7435825 | 1 |
| | | | RH | 7436026 | 1 |
| | MANIFOLD ASSEMBLY | 350 Eng. | LH | 3989055 | 1 |
| | | | RH | 3973432 | 1 |
| 3.603 | TUBE – Exhaust manifold choke heat | | | | |
| | TUBE | 253, 308 Eng. | | 3814026 | 1 |
| 3.609 | PIPE ASSEMBLY – Exhaust | | | | |
| | PIPE ASSEMBLY | 173, 202 Eng. 35, 1569 | | 2814270 | 1 |
| | PIPE ASSEMBLY | 173, 202 Eng. 37, 69 exc. 1569 | | 2811882 | 1 |
| | PIPE ASSEMBLY | 173, 202 Eng. 60 | | 2820482 | 1 |
| | PIPE ASSEMBLY | 173, 202 Eng. 70, 80 | | 2820210 | 1 |
| | PIPE ASSEMBLY | 253, 308 Eng. 235, 435, 1235, 1469, 1669 exc. Dual Exhaust | LH | 2815285 | 1 |
| | PIPE ASSEMBLY | 253, 308 Eng. 269, 437, 469, 837, 1237, 1269 exc. Dual Exhaust | LH | 2811853 | 1 |
| | PIPE ASSEMBLY | 253 Eng. 60 | LH | 9929261 | 1 |
| | PIPE ASSEMBLY | 253, 308 Eng. exc. Dual Exhaust | RH | 2811852 | 1 |
| | PIPE ASSEMBLY | 253, 308 Eng., Dual Exhaust exc. 1469, 1669 | LH | 2818189 | 1 |
| | | | RH | 2818188 | 1 |
| | PIPE ASSEMBLY | 253, 308 Eng., 1469, 1669, Dual Exhaust | LH | 2822477 | 1 |
| | | | RH | 2822476 | 1 |
| | PIPE ASSEMBLY | 253, 308 Eng., 70, 80 | LH | 2820478 | 1 |
| | | | RH | 2811852 | 1 |
| | PIPE ASSEMBLY | 350 Eng. 4 Door GTS | LH | 2818251 | 1 |
| | | | RH | 2818250 | 1 |
| | PIPE ASSEMBLY | 350 Eng., 81237, 81269, 81837 | LH | 2818251 | 1 |
| | | | RH | 2818250 | 1 |
| | PIPE ASSEMBLY | 350 Eng., 1469, 1669, Dual Exhaust | LH | 2818249 | 1 |
| | | | RH | 2818248 | 1 |
| | PIPE ASSEMBLY | 350 Eng., 1469, 1669, exc. Dual Exhaust | LH | 2820991 | 1 |
| | PIPE ASSEMBLY | 350 Eng., 1237 exc. Dual Exhaust | LH | 2820953 | 1 |
| | PIPE ASSEMBLY | 350 Eng., 1237, 1469, 1669 exc. Dual Exhaust | RH | 2820952 | 1 |
| | EXTENSION – Pipe, front | 350 Eng. | | 3748781 | 2 |

"HQ" PARTS CATALOGUE

| GROUP | DESCRIPTION | MODEL | SIDE | PART No. | QTY. |
|--------------|--|---|------|----------|------|
| 3.610 | FLANGE – Exhaust pipe packing | | | | |
| | FLANGE | 173, 202 Eng. | | 7429539 | 1 |
| | FLANGE | 253, 308 Eng. | RH | 7437199 | 1 |
| 3.611 | PACKING – Exhaust pipe | | | | |
| | PACKING | 173, 202 Eng. | | 7429532 | 1 |
| | PACKING | 350 Eng. | | 3696990 | 2 |
| 3.616 | CLAMP, "U" BOLT – Exhaust pipe | | | | |
| | CLAMP – Pipe to muffler | 173, 202, 253, 308. Eng., exc. Dual Exhaust | | 7431756 | 1 |
| | "U" BOLT – Pipe to muffler | 173, 202, 253, 308 Eng., exc. Dual Exhaust | | 7431757 | 1 |
| | CLAMP & "U" BOLT PACKAGE | 173, 202, 253, 308 Eng., exc. Dual Exhaust | | 7436221 | 1 |
| | CLAMP – RH to LH pipe | 253, 308, 350 Eng., exc. Dual Exhaust | | 7433738 | 1 |
| | "U" BOLT – RH to LH pipe | 253, 308, 350 Eng., exc. Dual Exhaust | | 7433737 | 1 |
| | CLAMP & "U" BOLT PACKAGE | 253, 308, 350 Eng., exc. Dual Exhaust | | 7436220 | 1 |
| | CLAMP – Pipe to muffler | 253, 308, 350 Eng., Dual Exhaust | | 7433738 | 2 |
| | "U" BOLT – Pipe to muffler | 253, 308, 350 Eng., Dual Exhaust | | 7433737 | 2 |
| | CLAMP & "U" BOLT PACKAGE | 253, 308, 350 Eng., Dual Exhaust | | 7436220 | 2 |
| | CLAMP – RH to LH balance pipe | 253, 308, 350 Eng., Dual Exhaust | | 7431992 | 1 |
| | "U" BOLT – RH to LH balance pipe | 253, 308, 350 Eng., Dual Exhaust | | 7431993 | 1 |
| | CLAMP & "U" BOLT PACKAGE | 253, 308, 350 Eng., Dual Exhaust | | 7436222 | 1 |
| 3.642 | VALVE, GASKET – Exhaust manifold | | | | |
| | VALVE ASSEMBLY | 350 Eng. | | 3887023 | 1 |
| | GASKET | 350 Eng. | | 3946828 | 1 |
| 3.701 | MUFFLER ASSEMBLY | | | | |
| | MUFFLER ASSEMBLY | Exc. Dual Exhaust | | 2820899 | 1 |
| | MUFFLER ASSEMBLY | Dual Exhaust | | 2825325 | 2 |
| 3.704 | BRACKET, SUPPORT, INSULATOR, SPACER – Muffler | | | | |
| | BRACKET – Support | Exc. 60, 70, 80 | | 2819589 | 1-2 |
| | BRACKET – Support | 60, 70, 80 | | 2820354 | 1 |
| | WASHER – Plain, 3/4" x .78" x .105" | ALL | | SP1470 | 2 |
| | SUPPORT | Exc. Dual Exhaust | | 2819590 | 1 |
| | SUPPORT – Lower | Dual Exhaust | LH | 2820275 | 1 |
| | | | RH | 2820276 | 1 |
| | INSULATOR – Support | ALL | | 2819591 | 1-2 |
| 3.705 | PIPE – Muffler tail | | | | |
| | PIPE | 173, 202 Eng., 35 | | 2820323 | 1 |
| | PIPE | 253, 308 Eng., 35 | | 2825622 | 1 |
| | PIPE | 169, 337, 369, 1137, 1169, W/173, 202 Eng. | | 2811883 | 1 |
| | PIPE | 173, 202 Eng., 60 | | 2820527 | 1 |
| | PIPE | 253 Eng., 60 | | 9929262 | 1 |
| | PIPE | 1569 W/202 Eng. | | 2814271 | 1 |
| | PIPE | 1469, 1669 exc. Dual Exhaust | | 2824464 | 1 |
| | PIPE | 253, 308 Eng., exc. Dual Exhaust, 35, 70, 80, 1469, 1669 | | 2824463 | 1 |
| | PIPE | 1237 W/350 Eng., exc. Dual Exhaust | | 2824463 | 1 |
| | PIPE | 1469, 1669, Dual Exhaust | LH | 2818247 | 1 |
| | | | RH | 2818246 | 1 |
| | PIPE | 253, 308, 350 Eng., Dual Exhaust exc. 1469, 1669 | LH | 2818191 | 1 |
| | | | RH | 2818190 | 1 |
| | PIPE | 173, 202 Eng., 70, 80 | | 2820212 | 1 |
| | PIPE | 253, 308 Eng., 70, 80 | | 2820455 | 1 |

"HQ" PARTS CATALOGUE

| GROUP | DESCRIPTION | MODEL | SIDE | PART No. | QTY. |
|--------------|---|--------------------------------------|------|----------|------|
| 3.705 | PIPE – Muffler tail (contd.) | | | | |
| | EXTENSION – Exhaust, Chrome 1 5/8" I.D. 13 1/2" long | 173, 202 Eng. | | M37108 | 1 |
| | EXTENSION – Exhaust, Chrome 1 3/4" I.D. 13 1/2" long | 253, 308 Eng. | | M37107 | 1 |
| | EXTENSION – Exhaust, Chrome 2" I.D. 13 1/2" long | 253, 308, 350 Eng. | | M37109 | 1-2 |
| 3.706 | CLAMP, "U" BOLT – Muffler to tail pipe | | | | |
| | CLAMP | Exc. Dual Exhaust | | 2811858 | 1 |
| | "U" BOLT | Exc. Dual Exhaust | | 2811859 | 1 |
| | CLAMP & "U" BOLT PACKAGE | Exc. Dual Exhaust | | 2818406 | 1 |
| | CLAMP | Dual Exhaust | | 7433738 | 2 |
| | "U" BOLT | Dual Exhaust | | 7433737 | 2 |
| | CLAMP & "U" BOLT PACKAGE | Dual Exhaust | | 7436220 | 2 |
| 3.710 | INSULATOR, CLAMP, BRACKET – Tail pipe | | | | |
| | INSULATOR | Exc. 60 | | 2823586 | 1-2 |
| | INSULATOR – 3" bolt centres | 60 | | 2822012 | 1 |
| | INSULATOR – 2 1/2" bolt centres | 60 | | 2823586 | 1 |
| | REINFORCEMENT | ALL | | 2823393 | A.R. |
| | SPACER | ALL | | 2822013 | 2-4 |
| | CLAMP | 173, 202 Eng. | | 2815574 | 1 |
| | CLAMP – (1 1/4" O.D. tail pipe) | 253, 308 Eng., exc. Dual Exhaust | | 2815575 | 1 |
| | CLAMP – (2" O.D. tail pipe) | 253, 308, 350 Eng. exc. Dual Exhaust | | 2818198 | 1 |
| | CLAMP | Dual Exhaust | | 2818198 | 2 |
| | BRACKET | 173, 202 Eng., 60 | | 2823587 | 1 |
| | BRACKET | 70, 80 | | 2823588 | 1 |
| | BRACKET | 253 Eng., 60 | | 2823588 | 1 |
| 3.720 | PIPE, HOSE, BRACKET – Automatic choke heat | | | | |
| | PIPE – Air inlet | 253, 308 Eng. | | 2808136 | 1 |
| | PIPE – Air heat | 253 Eng. | | 2811625 | 1 |
| | PIPE – Air heat | 308 Eng. | | 2811626 | 1 |
| | CLIP – Pipe | 253, 308 Eng. | | 2805402 | 2 |
| | HOSE – Inlet | 253, 308 Eng. | | 2813033 | 1 |
| | BAFFLE – Choke heat tube | 253, 308 Eng. | | 2805461 | 1 |
| | INSULATOR – Choke pipe | 253, 308 Eng. | | 2811627 | 1 |
| 3.724 | GASKET KIT – Carburettor | | | | |
| | GASKET KIT | 173, 202 Eng. | | 7424535 | 1 |
| | GASKET KIT | 253 Eng. | | VS10882 | 1 |
| | GASKET KIT | 308, 350 Eng. | | 7036565 | 1 |
| 3.725 | CARBURETTOR ASSEMBLY, REPAIR KIT | | | | |
| | CARBURETTOR ASSEMBLY | (M) 173 Eng. | | 2815053 | 1 |
| | CARBURETTOR ASSEMBLY | (A) 173 Eng. | | 2815054 | 1 |
| | CARBURETTOR ASSEMBLY | (M) 202 Eng. | | 2815055 | 1 |
| | CARBURETTOR ASSEMBLY | (A) 202 Eng. | | 2815056 | 1 |
| | CARBURETTOR ASSEMBLY | (M) 253 Eng. | | 2815563 | 1 |
| | CARBURETTOR ASSEMBLY | (A) 253 Eng. | | 9928604 | 1 |
| | CARBURETTOR ASSEMBLY | (M) 308 Eng. | | 7041851 | 1 |
| | CARBURETTOR ASSEMBLY | (A) 308 Eng. | | 7041852 | 1 |
| | CARBURETTOR ASSEMBLY | (M) 350 Eng. | | 7041853 | 1 |
| | CARBURETTOR ASSEMBLY | (A) 350 Eng. | | 7041854 | 1 |
| | REPAIR KIT – Major overhaul | (M) 173 Eng. | | VS12185 | 1 |
| | REPAIR KIT – Major overhaul | (A) 173 Eng. | | VS12063 | 1 |
| | REPAIR KIT – Major overhaul | (M) 202 Eng. | | VS12186 | 1 |
| | REPAIR KIT – Major overhaul | (A) 202 Eng. | | VS12072 | 1 |
| | REPAIR KIT – Major overhaul | (M) 253 Eng. | | VS12336 | 1 |
| | REPAIR KIT – Major overhaul | (A) 253 Eng. | | VS12337 | 1 |
| | REPAIR KIT – Major overhaul | (A) 308 Eng. | | 7036741 | 1 |
| | REPAIR KIT – Major overhaul | (M) 308 Eng. | | 7041300 | 1 |

"HQ" PARTS CATALOGUE

| GROUP | DESCRIPTION | MODEL | SIDE | PART No. | QTY. |
|--|-----------------------------|-------------------|------|----------|------|
| 3.725 CARBURETTOR ASSEMBLY, REPAIR KIT (contd.) | | | | | |
| | REPAIR KIT - Major overhaul | 350 Eng. | | 7036742 | 1 |
| | REPAIR KIT - Minor overhaul | 173, 202 Eng. | | 7424575 | 1 |
| | REPAIR KIT - Minor overhaul | (M) 253 Eng. | | VS11157 | 1 |
| | REPAIR KIT - Minor overhaul | (A) 253 Eng. | | VS11162 | 1 |
| | REPAIR KIT - Minor overhaul | (A) 308 Eng. | | 7039149 | 1 |
| | REPAIR KIT - Minor overhaul | (M) 308 Eng. | | 7039188 | 1 |
| | REPAIR KIT - Minor overhaul | 350 Eng. | | 7039149 | 1 |
| 3.726 GASKET, INSULATOR - Carburettor flange | | | | | |
| | GASKET | 173, 202 Eng. | | 7424567 | 1 |
| | GASKET | 253 Eng. | | 7433691 | 1 |
| | GASKET | 308 Eng. | | 2807914 | 1 |
| | GASKET | 350 Eng. | | 3884574 | 1 |
| | INSULATOR | 350 Eng. | | 3998912 | 1 |
| 3.726 BAFFLE - Carburettor heat radiation | | | | | |
| | BAFFLE | 350 Eng. | | 3884576 | 1 |
| 3.727 BODY ASSEMBLY - Carburettor throttle | | | | | |
| | BODY ASSEMBLY | (M) 173, 202 Eng. | | VS12068 | 1 |
| | BODY ASSEMBLY | (A) 173, 202 Eng. | | VS12077 | 1 |
| | BODY ASSEMBLY | (M) 253 Eng. | | VS10905 | 1 |
| | BODY ASSEMBLY | (A) 253 Eng. | | VS10904 | 1 |
| | BODY ASSEMBLY | (A) 308 Eng. | | 7041856 | 1 |
| | BODY ASSEMBLY | (M) 308 Eng. | | 7041855 | 1 |
| | BODY ASSEMBLY | 350 Eng. | | 7041857 | 1 |
| 3.729 VALVE - Carburettor throttle | | | | | |
| | VALVE | 173, 202 Eng. | | VS12122 | 1 |
| | SCREW - Valve attaching | 173, 202 Eng. | | 7405165 | 2 |
| | VALVE | 253 Eng. | | VS10437 | 2 |
| | SCREW - Valve attaching | 253 Eng. | | VS10522 | 4 |
| 3.731 LEVER, SHAFT, SPRING - Carburettor throttle | | | | | |
| | LEVER | 173, 202 Eng. | | VS11816 | 1 |
| | SHAFT | 173, 202 Eng. | | 7424619 | 1 |
| | NUT | 173, 202 Eng. | | 7424617 | 1 |
| | WASHER | 173, 202 Eng. | | 7424618 | 1 |
| | SPRING - Lever return | 173, 202 Eng. | | 2825271 | 1 |
| | LEVER | 253 Eng. | | VS11793 | 1 |
| | SHAFT | 253 Eng. | | VS10909 | 1 |
| | NUT | 253 Eng. | | VS10910 | 1 |
| | WASHER | 253 Eng. | | VS10911 | 1 |
| 3.734 SCREW, SPRING - Carburettor slow idle adjusting | | | | | |
| | SCREW | 173, 202 Eng. | | 7424554 | 1 |
| | SPRING | 173, 202 Eng. | | VS11815 | 1 |
| | SCREW | 253 Eng. | | VS10520 | 1 |
| | SPRING | 253 Eng. | | VS10474 | 1 |
| | SCREW | 308, 350 Eng. | | 7002121 | 1 |
| | SPRING | 308, 350 Eng. | | 7003176 | 1 |
| 3.735 CAM, LEVER - Carburettor fast idle | | | | | |
| | CAM | 173, 202 Eng. | | VS11814 | 1 |
| | LEVER | 173, 202 Eng. | | VS11813 | 1 |
| | CAM | 308 Eng. | | 7045823 | 1 |
| | CAM | 350 Eng. | | 7045824 | 1 |
| | SCREW - Attaching | 308, 350 Eng. | | 7035523 | 1 |
| | LEVER - Cam follower | 308, 350 Eng. | | 7043634 | 1 |
| | LEVER - Fast idle | 308, 350 Eng. | | 7030677 | 1 |
| | SPRING - Cam lever | 308, 350 Eng. | | 7035772 | 1 |

"HQ" PARTS CATALOGUE

| GROUP | DESCRIPTION | MODEL | SIDE | PART No. | QTY. |
|--------------|--|--------------------|------|--------------------------|------|
| 3.736 | PIN – Carburettor fast idle cam | | | | |
| | PIN | 173, 202 Eng. | | VS11812 | 1 |
| 3.737 | SCREW, SPRING – Carburettor fast idle | | | | |
| | SCREW | 253 Eng. | | VS10906 | 1 |
| | SPRING | 253 Eng. | | VS10907 | 1 |
| | SCREW | 308, 350 Eng. | | 7029899 | 1 |
| | SPRING | 308, 350 Eng. | | 7029900 | 1 |
| 3.741 | VALVE – Carburettor idle needle | | | | |
| | VALVE | 173, 202, 253 Eng. | | 7405174 | 1-2 |
| | VALVE | 308 Eng. | | 7041812 | 2 |
| | VALVE | 350 Eng. | | 7041621 | 2 |
| 3.742 | SPRING – Carburettor idle needle valve | | | | |
| | SPRING | 173, 202, 253 Eng. | | 7405171 | 1-2 |
| | SPRING | 308, 350 Eng. | | 7011479 | 2 |
| 3.748 | BODY ASSEMBLY – Carburettor main | | | | |
| | BODY ASSEMBLY | 173 Eng. | | VS12065 | 1 |
| | BODY ASSEMBLY | 202 Eng. | | VS12064 | 1 |
| | SCREW and LOCKWASHER ASSEMBLY | 173, 202 Eng. | | 7405163 | 2 |
| | SPACER – Insulating | 173, 202 Eng. | | 7405168 | 1 |
| | BODY ASSEMBLY | 253 Eng. | | VS10922 | 1 |
| | SCREW and LOCKWASHER ASSEMBLY | 253 Eng. | | VS10523 | 2 |
| | SCREW and LOCKWASHER ASSEMBLY | 253 Eng. | | VS11038 | 2 |
| | BODY ASSEMBLY | 308 Eng. | | 7036743 | 1 |
| | BODY ASSEMBLY | (A) 350 Eng. | | 7036774 | 1 |
| | BODY ASSEMBLY | (M) 350 Eng. | | 7036744 | 1 |
| | SCREW | 308, 350 Eng. | | 7035790 | 3 |
| 3.749 | GASKET – Carburettor main body | | | | |
| | GASKET | 173, 202 Eng. | | 7405143 | 2 |
| | GASKET | 253 Eng. | | VS10433 | 1 |
| | GASKET | 308, 350 Eng. | | 7038396 | 1 |
| 3.750 | THERMOSTAT ASSEMBLY – Carburettor automatic choke | | | | |
| | THERMOSTAT ASSEMBLY | 350 Eng. | | (¹² 3989060) | 1 |
| | THERMOSTAT ASSEMBLY | 350 Eng. | | (¹³ 3998938) | 1 |
| | COVER – Thermostat | 350 Eng. | | 3969824 | 1 |
| | ROD – Thermostat | 350 Eng. | | 3989046 | 1 |
| 3.751 | BLEEDER – Carburettor high speed | | | | |
| | BLEEDER | 173, 202, 253 Eng. | | 7405109 | 1-2 |
| 3.752 | TUBE – Carburettor idle | | | | |
| | TUBE – (No. 67) | (M) 173 Eng. | | VS12116 | 1 |
| | TUBE – (No. 69) | (A) 173 Eng. | | VS12070 | 1 |
| | TUBE – (No. 67) | 202 Eng. | | VS12116 | 1 |
| | TUBE – (No. 69) | 253 Eng. | | (¹⁴ VS12310) | 2 |

Note: (¹² Casting No. 3973469 on the top rear surface of Inlet Manifold.
(¹³ Casting No. 6263751 on the top rear surface of Inlet Manifold.
(¹⁴ Use 2 per Part No. VS12311 in conjunction with 2 per VS12310.

"HQ" PARTS CATALOGUE

| GROUP | DESCRIPTION | MODEL | SIDE | PART No. | QTY. |
|--------------|---|--------------------------|------|-------------------------|------|
| 3.754 | JET – Carburettor main metering, main discharge | | | | |
| | JET – Main metering (.062) | (M) 173 Eng. | | VS12115 | 1 |
| | JET – Main metering (.060) | (M) 173 Eng. | | ([¶] VS12187 | 1 |
| | JET – Main metering (.058) | (M) 173 Eng. | | (¹⁹ VS10185 | 1 |
| | JET – Main metering (.061) | (A) 173 Eng. | | VS12075 | 1 |
| | JET – Main metering (.059) | (A) 173 Eng. | | ([¶] 7420412 | 1 |
| | JET – Main metering (.057) | (A) 173 Eng. | | (¹⁹ 7424569 | 1 |
| | JET – Main metering (.067) | (M) 202 Eng. | | VS12117 | 1 |
| | JET – Main metering (.065) | (M) 202 Eng. | | ([¶] VS12073 | 1 |
| | JET – Main metering (.063) | (M) 202 Eng. | | (¹⁹ VS12074 | 1 |
| | JET – Main metering (.065) | (A) 202 Eng. | | VS12073 | 1 |
| | JET – Main metering (.063) | (A) 202 Eng. | | ([¶] VS12074 | 1 |
| | JET – Main metering (.061) | (A) 202 Eng. | | (¹⁹ VS12075 | 1 |
| | JET – Main discharge (28-30) | 173, 202 Eng. | | 7400370 | 1 |
| | JET – Main metering (.050) | 253 Eng. | | VS10901 | 2 |
| | JET – Main metering (.048) | 253 Eng. | | ([¶] VS10902 | 2 |
| | JET – Main metering (.046) | 253 Eng. | | (¹⁹ VS10903 | 2 |
| | JET – Main discharge | 253 Eng. | | (¹⁷ VS12311 | 2 |
| | JET | (A) 308 Eng. | | 7031971 | 2 |
| | JET | (M) 308 Eng. | | 7031977 | 2 |
| | JET | 350 Eng. | | 7031976 | 2 |
| | JET – (use W/spring 7029922) | 350 Eng. | | ([¶] 7031975 | 2 |
| 3.755 | PLUG – Carburettor main metering jet | | | | |
| | PLUG | 173, 202, 253, Eng. | | VS10432 | 1-2 |
| 3.756 | GASKET – Carburettor metering jet plug | | | | |
| | GASKET | 173, 202, 253, Eng. | | 7405144 | 1-2 |
| 3.757 | JET ASSEMBLY – Carburettor pump by-pass, power by-pass | | | | |
| | PUMP BY-PASS | 173, 202 Eng. | | 7405131 | 1 |
| | POWER BY-PASS (No. 59) | (M) 173 Eng. | | VS12188 | 1 |
| | POWER BY-PASS (No. 53) | (A) 173 Eng. | | VS12071 | 1 |
| | POWER BY-PASS (No. 56) | 202 Eng. | | VS10469 | 1 |
| | GASKET – Pump & power by-pass jet | 173, 202 Eng. | | 7405146 | 2 |
| | POWER BY-PASS | 253 Eng. | | VS12155 | 1 |
| | GASKET – Power by-pass jet | 253 Eng. | | VS10883 | 1 |
| 3.758 | NOZZLE, GASKET – Carburettor pump | | | | |
| | NOZZLE | (A) 253 Eng. | | VS10467 | 1 |
| | NOZZLE | (M) 253 Eng. | | VS11911 | 1 |
| | GASKET | 253 Eng. | | VS10468 | 1 |
| 3.759 | SCREW – Carburettor pump nozzle | | | | |
| | SCREW | 253 Eng. | | VS10518 | 1 |
| 3.760 | BALL – Carburettor pump check and discharge | | | | |
| | BALL – Inlet check | 253 Eng. | | VS10527 | 1 |
| | BALL – Outlet check | 253 Eng. | | VS10519 | 1 |
| | BALL – Discharge | 308, 350 Eng. | | 7002117 | 1 |
| | RETAINER – Discharge ball | 308, 350 Eng. | | 7029849 | 1 |
| 3.762 | INSERT – Carburettor main body | | | | |
| | INSERT | 308, 350 Eng. | | 7037319 | 1 |

Note: ([¶] High Altitude 4000-8000 ft.
(¹⁹ High Altitude 8000-12000 ft.
(¹⁷ Use 2 per Part No. VS12310 in conjunction with 2 per VS12311.

"HQ" PARTS CATALOGUE

| GROUP | DESCRIPTION | MODEL | SIDE | PART No. | QTY. |
|--------------|---|--------------------|------|----------|------|
| 3.763 | AIR HORN ASSEMBLY – Carburettor | | | | |
| | AIR HORN ASSEMBLY | 173, 202 Eng. | | VS11803 | 1 |
| | BAR – Air horn reinforcing | 173, 202 Eng. | | 7420240 | 1 |
| | SCREW and WASHER – Air horn attaching 5/8" | 173, 202 Eng. | | 7405167 | 2 |
| | SCREW and WASHER – Air horn attaching 1/2" | 173, 202 Eng. | | 7405166 | 3 |
| | TUBE – Vent | 173, 202 Eng. | | 7424550 | 1 |
| | AIR HORN ASSEMBLY | 253 Eng. | | VS10461 | 1 |
| | SCREW and LOCKWASHER – Air horn attaching | 253 Eng. | | 7405166 | 4 |
| | AIR HORN ASSEMBLY | 308 Eng. | | 7038964 | 1 |
| | AIR HORN ASSEMBLY | 350 Eng. | | 7037949 | 1 |
| | SCREW – Air horn attaching, 3" long | 308, 350 Eng. | | 7029912 | 2 |
| | SCREW – Air horn attaching, 1" long | 308, 350 Eng. | | 7014699 | 5 |
| | SCREW – Air horn attaching, 3/8" long | 308, 350 Eng. | | 7031105 | 2 |
| 3.764 | VALVE ASSEMBLY – Carburettor idle vent | | | | |
| | VALVE | 173, 202 Eng. | | VS11801 | 1 |
| | STEM | 173, 202 Eng. | | VS11802 | 1 |
| | SPRING – Stem | 173, 202 Eng. | | 7420244 | 1 |
| | WASHER | 253 Eng. | | VS10530 | 1 |
| | VALVE KIT | 308, 350 Eng. | | 7036425 | 1 |
| | SHIELD | 308, 350 Eng. | | 7035431 | 1 |
| | VALVE | 308, 350 Eng. | | 7029993 | 1 |
| | SCREW – Valve | 308, 350 Eng. | | 7012548 | 1 |
| 3.765 | GASKET – Carburettor air horn | | | | |
| | GASKET | 173, 202 Eng. | | 7405148 | 1 |
| | GASKET | 253 Eng. | | VS11329 | 1 |
| | GASKET | 308, 350 Eng. | | 7029087 | 1 |
| 3.767 | PLUG – Carburettor | | | | |
| | PLUG – Main and throttle body channel | 173, 202 Eng. | | 7405158 | 1 |
| | PLUG – Main body channel | 253 Eng. | | VS10526 | 2 |
| | PLUG – Lead ball | 173, 202, 253 Eng. | | 7405107 | A.R. |
| 3.771 | VALVE ASSEMBLY – Carburettor float needle | | | | |
| | VALVE and SEAT ASSEMBLY | 173, 202 Eng. | | 7406701 | 1 |
| | VALVE and SEAT ASSEMBLY – Heavy duty | 173, 202 Eng. | | 7420335 | 1 |
| | VALVE and SEAT ASSEMBLY | 253 Eng. | | VS10443 | 1 |
| | VALVE and SEAT ASSEMBLY | 308, 350 Eng. | | 7035130 | 1 |
| | CLIP – Pull | 308, 350 Eng. | | 7033751 | 1 |
| 3.772 | GASKET – Carburettor float needle valve seat | | | | |
| | GASKET | 173, 202, 253 Eng. | | 7405147 | 1 |
| | GASKET – (Aluminium) | 253 Eng. | | 2813330 | 1 |
| | GASKET | 308, 350 Eng. | | 7033747 | 1 |
| 3.773 | FLOAT and LEVER ASSEMBLY – Carburettor | | | | |
| | FLOAT and LEVER ASSEMBLY | 173, 202 Eng. | | 7405112 | 1 |
| | FLOAT and LEVER ASSEMBLY | 253 Eng. | | VS10445 | 1 |
| | FLOAT and LEVER ASSEMBLY | 308, 350 Eng. | | 7037316 | 1 |
| 3.774 | GAUGE – Carburettor float level | | | | |
| | GAUGE | 253 Eng. | | VS10582 | 1 |
| 3.775 | PIN, SPRING CLIP – Carburettor float fulcrum | | | | |
| | PIN | 173, 202, 253 Eng. | | 7405156 | 1 |
| | SPRING – Fulcrum pin | 173, 202, 253 Eng. | | 7405170 | 1 |
| | PIN | 308, 350 Eng. | | 7037317 | 1 |

"HQ" PARTS CATALOGUE

| GROUP | DESCRIPTION | MODEL | SIDE | PART No. | QTY. |
|--------------|--|----------------------------------|------|----------|------|
| 3.776 | BAFFLE – Carburettor float chamber | | | | |
| | BAFFLE | 253 Eng. | | VS10446 | 1 |
| | BAFFLE | 308, 350 Eng. | | 7032324 | 1 |
| 3.778 | PISTON and STEM – Carburettor pump | | | | |
| | PISTON and STEM ASSEMBLY | 173, 202 Eng. | | 7405133 | 1 |
| | PIN – Cotter | 173, 202 Eng. | | 7405141 | 1 |
| | PISTON ASSEMBLY | (A) 253 Eng. | | VS10916 | 1 |
| | PISTON ASSEMBLY | (M) 253 Eng. | | VS11151 | 1 |
| | PIN – Cotter | 253 Eng. | | 7405140 | 1 |
| | PISTON ASSEMBLY | (A) 308 Eng. | | 7037337 | 1 |
| | PISTON ASSEMBLY | (M) 308 Eng. | | 7040691 | 1 |
| | PISTON ASSEMBLY | 350 Eng. | | 7037337 | 1 |
| 3.779 | SPRING – Carburettor pump stem | | | | |
| | SPRING | 173, 202 Eng. | | 7424555 | 1 |
| | SPRING – Duration | (A) 253 Eng. | | VS10974 | 1 |
| | SPRING – Duration | (M) 253 Eng. | | VS10448 | 1 |
| | WASHER – Duration spring retainer | 253 Eng. | | VS10528 | 1 |
| | WASHER – Duration spring clip | 253 Eng. | | VS10529 | 1 |
| | SPRING – Bottom | 253 Eng. | | VS10447 | 1 |
| | SPRING – Return | 308, 350 Eng. | | 7037314 | 1 |
| 3.780 | LEVER – Carburettor pump | | | | |
| | LEVER | 173, 202 Eng. | | 7424551 | 1 |
| | LEVER | 253 Eng. | | VS10464 | 1 |
| | LEVER | 308, 350 Eng. | | 7026139 | 1 |
| | PIN – Spring $\frac{3}{32}$ " x $\frac{3}{16}$ " | 308, 350 Eng. | | 9428787 | 1 |
| | SPRING and CAM KIT – Air valve | 308, 350 Eng. | | 7035344 | 1 |
| 3.781 | NUT, WASHER, SCREW – Carburettor pump lever attaching | | | | |
| | NUT | 173, 202 Eng. | | 7424617 | 1 |
| | WASHER | 173, 202 Eng. | | 7424618 | 1 |
| | SCREW | 253 Eng. | | VS10517 | 1 |
| 3.782 | ROD – Carburettor pump | | | | |
| | ROD | 173, 202 Eng. | | 7405160 | 1 |
| 3.783 | LINK, ROD – Carburettor pump | | | | |
| | LINK | 173, 202 Eng. | | 7405153 | 1 |
| | CLIP – Spring | 173, 202 Eng. | | 7405138 | 1 |
| | REPAIR KIT – Link | 173, 202 Eng. | | 7427343 | 1 |
| | ROD | 253 Eng. | | VS10896 | 1 |
| | PIN – Cotter | 253 Eng. | | 7405140 | 2 |
| | ROD | 308, 350 Eng. | | 7026138 | 1 |
| | CLIP – Pump rod | 308, 350 Eng. | | 836159 | 2 |
| 3.784 | VALVE ASSEMBLY, PLUG – Carburettor pump check | | | | |
| | VALVE ASSEMBLY | 173, 202 Eng. | | 7405136 | 1 |
| | PLUG | 173, 202 Eng. | | 7405159 | 1 |
| | GASKET – Plug | 173, 202 Eng. | | 7405145 | 1 |
| 3.787 | SCREEN, FILTER – Carburettor pump strainer | | | | |
| | SCREEN | 173, 202 Eng. | | 7405162 | 1 |
| | CLIP – Strainer screen | 173, 202 Eng. | | 7405139 | 1 |
| | FILTER ASSEMBLY | 253 Eng. | | 2815246 | 1 |
| | GASKET – Fuel filter | 308 Eng. | | 7032508 | 1 |
| | SPRING – Fuel filter | 308 Eng. | | 7034356 | 1 |
| | FILTER – Inlet fuel | 308 Eng. | | 5651504 | 1 |
| | FILTER – Inlet fuel | (A) 350 Eng. Air Cond. | | 5650829 | 1 |
| | FILTER – Inlet fuel | (A) 350 Eng. exc. Air Cond. | | 5651504 | 1 |
| | FILTER – Inlet fuel | (M) 350 Eng. | | 5651393 | 1 |

"HQ" PARTS CATALOGUE

| GROUP | DESCRIPTION | MODEL | SIDE | PART No. | QTY. |
|---|---|------------------------|------|--------------------------|------|
| 3.787 SCREEN, FILTER – Carburettor pump strainer (contd.) | | | | | |
| | GASKET – Fuel filter | 350 Eng. | | 7032508 | 1 |
| | SPRING – Fuel filter | 350 Eng. | | 7034356 | 1 |
| | NUT – Fuel filter | 308 Eng. | | 7034975 | 1 |
| | NUT – Fuel filter | 350 Eng. | | 7040955 | 1 |
| | BRACKET – Fuel filter | (A) 350 Eng. Air Cond. | | (¹² 3965599) | 1 |
| | BRACKET – Fuel filter | (A) 350 Eng. Air Cond. | | (¹³ 2825709) | 1 |
| 3.788 PISTON ASSEMBLY – Carburettor vacuum power | | | | | |
| | PISTON ASSEMBLY | 173, 202 Eng. | | VS11818 | 1 |
| | PISTON | 253 Eng. | | VS10897 | 1 |
| | PISTON ASSEMBLY | 308, 350 Eng. | | 7034903 | 1 |
| | SPRING – Piston | 308, 350 Eng. | | 7036019 | 1 |
| | SPRING – Piston (use W/jet 7031975) | 350 Eng. | | (⁹ 7029922) | 1 |
| 3.789 VALVE ASSEMBLY – Carburettor choke | | | | | |
| | VALVE ASSEMBLY | 173, 202 Eng. | | VS11799 | 1 |
| | SCREW – Valve attaching | 173, 202 Eng. | | 7405118 | 2 |
| | VALVE ASSEMBLY | 253 Eng. | | VS10460 | 1 |
| | SCREW – Valve attaching | 253 Eng. | | 7405165 | 2 |
| | SHAFT and VALVE KIT | 308, 350 Eng. | | 7036430 | 1 |
| | SCREW – Valve attaching | 308, 350 Eng. | | 7029866 | 2 |
| 3.791 SHAFT, LEVER – Carburettor choke | | | | | |
| | SHAFT ASSEMBLY | 173, 202 Eng. | | VS12061 | 1 |
| | SPRING – Choke lever | 173, 202 Eng. | | 7405125 | 1 |
| | LEVER ASSEMBLY | 173, 202 Eng. | | 7405122 | 1 |
| | SCREW – Wire clamp | 173, 202 Eng. | | 7405124 | 1 |
| | LEVER and SHAFT ASSEMBLY | 253 Eng. | | VS10894 | 1 |
| | SHAFT and VALVE KIT | 308, 350 Eng. | | 7036430 | 1 |
| | LEVER – Intermediate | 308, 350 Eng. | | 7031231 | 1 |
| 3.792 LEVER – Carburettor fast idle | | | | | |
| | LEVER | 173, 202 Eng. | | VS11800 | 1 |
| | NUT – Lever attaching | 173, 202 Eng. | | 7405120 | 1 |
| | WASHER – Lever attaching nut | 173, 202 Eng. | | 7405121 | 1 |
| | LEVER | 253 Eng. | | VS10463 | 1 |
| | NUT – Lever attaching | 253 Eng. | | 7405120 | 1 |
| | WASHER – Lever attaching nut | 253 Eng. | | VS10895 | 1 |
| 3.793 ROD – Carburettor fast idle | | | | | |
| | ROD | 173, 202 Eng. | | VS11795 | 1 |
| | ROD | 253 Eng. | | VS10472 | 1 |
| | RETAINER – Rod | 253 Eng. | | VS10899 | 1 |
| 3.795 BRACKET, CLAMP – Carburettor choke cable support | | | | | |
| | BRACKET ASSEMBLY | 173, 202 Eng. | | VS12121 | 1 |
| | CLAMP – Choke cable | 173, 202 Eng. | | VS11797 | 1 |
| | SCREW and LOCKWASHER ASSY. – Clamp | 173, 202 Eng. | | 7405166 | 1 |
| | SCREW and LOCKWASHER ASSY. – Bracket attaching | 173, 202 Eng. | | 7405167 | 1 |
| 3.796 COVER, BODY, GASKET – Carburettor thermostat | | | | | |
| | COVER ASSEMBLY | (A) 253 Eng. | | VS10442 | 1 |
| | COVER ASSEMBLY | (M) 253 Eng. | | VS10914 | 1 |
| | COVER ASSEMBLY | 308 Eng. | | 2809917 | 1 |
| | SCREW – Cover | 253, 308 Eng. | | 2809937 | 3 |
| | WASHER – Cover | 253, 308 Eng. | | 2809922 | 3 |
| | GASKET – Cover | 253, 308 Eng. | | 2809921 | 1 |
| Note: (⁹ High Altitude 4000-8000 ft. (¹² Casting No. 3973469 on the top rear surface of Inlet Manifold. (¹³ Casting No. 6263751 on the top rear surface of Inlet Manifold. | | | | | |

"HQ" PARTS CATALOGUE

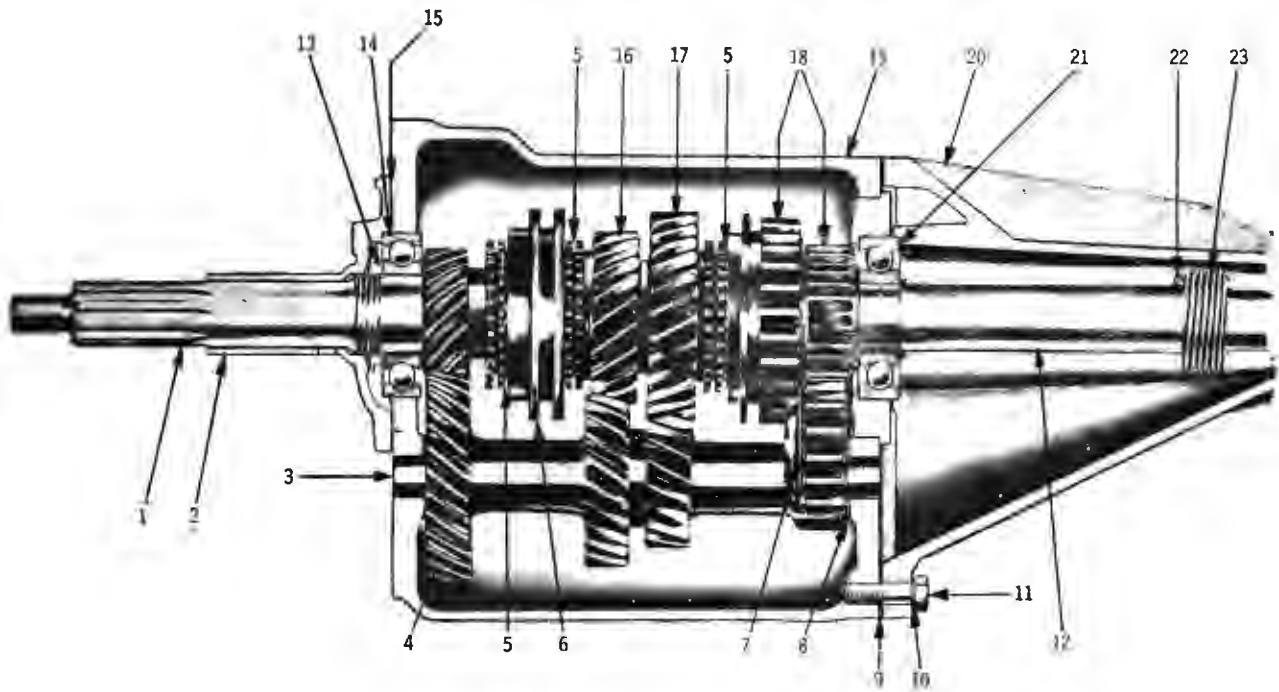
| GROUP | DESCRIPTION | MODEL | SIDE | PART No. | QTY. |
|--------------|--|---------------|------|----------|------|
| 3.796 | COVER, BODY, GASKET – Carburettor thermostat (contd.) | | | | |
| | SPACER – Thermostat housing – ½" thick | 308 Eng. | | 2812046 | 1 |
| | BODY and SHAFT ASSEMBLY | 308 Eng. | | 2809918 | 1 |
| | SCREW – Housing to manifold – 1¼" long | 308 Eng. | | SP1978 | 1 |
| | SCREW – Housing to manifold – 1½" long | 308 Eng. | | 154005 | 1 |
| | WASHER – Housing | 308 Eng. | | 2808133 | 1 |
| | DOWEL – Housing locating – 1½" long | 308 Eng. | | 2812128 | 1 |
| 3.797 | LEVER and SHAFT ASSEMBLY – Carburettor thermostat | | | | |
| | LEVER and SHAFT ASSEMBLY | 253 Eng. | | VS10440 | 1 |
| | LEVER | 253 Eng. | | VS10439 | 1 |
| | NUT – Lever attaching | 253 Eng. | | 7420254 | 1 |
| | WASHER | 253 Eng. | | VS10912 | 1 |
| | LEVER | 308 Eng. | | 2809920 | 1 |
| 3.798 | ROD – Carburettor choke | | | | |
| | ROD | 253 Eng. | | VS10444 | 1 |
| | PIN – Cotter | 253 Eng. | | VS10915 | 1 |
| | ROD – Automatic choke | 308 Eng. | | 2818897 | 1 |
| | ROD | 308, 350 Eng. | | 7036067 | 1 |
| | CLIP | 308, 350 Eng. | | 7005109 | 1 |
| | CLIP – Automatic choke rod | 350 Eng. | | 3989067 | 1 |
| | LEVER – Secondary lockout | 308, 350 Eng. | | 7029868 | 1 |
| | LEVER – Wide open kick | (A) 308 Eng. | | 7035840 | 1 |
| | LEVER – Wide open kick | 350 Eng. | | 7035840 | 1 |
| 3.799 | DIAPHRAGM, ROD, HOSE – Carburettor choke kick | | | | |
| | DIAPHRAGM ASSEMBLY | 253 Eng. | | VS10893 | 1 |
| | SCREW – Diaphragm attaching | 253 Eng. | | VS10917 | 2 |
| | ROD ASSEMBLY | 253 Eng. | | VS10456 | 1 |
| | RETAINER – Rod | 253 Eng. | | VS10457 | 1 |
| | HOSE – Vacuum | 253 Eng. | | VS10458 | 1 |
| | HOSE – Vacuum | 308, 350 Eng. | | 7026339 | 1 |
| | DIAPHRAGM ASSEMBLY | (A) 308 Eng. | | 7035493 | 1 |
| | BRACKET ASSEMBLY | (A) 308 Eng. | | 7037501 | 1 |
| | DIAPHRAGM and BRACKET ASSEMBLY | (M) 308 Eng. | | 7038967 | 1 |
| | DIAPHRAGM ASSEMBLY | (M) 308 Eng. | | 7038239 | 1 |
| | DIAPHRAGM ASSEMBLY | 350 Eng. | | 7038239 | 1 |
| | BRACKET ASSEMBLY | 350 Eng. | | 7037501 | 1 |
| | SCREW – Diaphragm attaching | 308, 350 Eng. | | 7031925 | 1 |
| | ROD – Diaphragm control | 308, 350 Eng. | | 7038167 | 1 |
| | CLIP – Control rod | 308, 350 Eng. | | 7005109 | 1 |
| 3.806 | ROD, HOLDER – Carburettor metering | | | | |
| | ROD – Primary | (A) 308 Eng. | | 7034847 | 2 |
| | ROD – Primary | (M) 308 Eng. | | 7034849 | 2 |
| | ROD – Primary | (A) 350 Eng. | | 7034844 | 2 |
| | ROD – Primary | (M) 350 Eng. | | 7034845 | 2 |
| | ROD – Secondary | 308, 350 Eng. | | 7034320 | 2 |
| | HOLDER KIT – Secondary metering rod | 308, 350 Eng. | | 7034522 | 1 |
| 3.810 | SPRING – Carburettor metering rod | | | | |
| | SPRING | 308, 350 Eng. | | 7029862 | 1 |
| 3.820 | COMPENSATOR, COVER, SCREW, GASKET – Carburettor idle | | | | |
| | COMPENSATOR ASSEMBLY | 350 Eng. | | 7034461 | 1 |
| | GASKET – Compensator | 350 Eng. | | 7027970 | 1 |
| | COVER – Compensator | 350 Eng. | | 7029865 | 1 |
| | SCREW – Cover attaching | 350 Eng. | | 7020926 | 2 |

"HQ" PARTS CATALOGUE

| GROUP | DESCRIPTION | MODEL | SIDE | PART No. | QTY. |
|--------------|--|-------------------------|------|----------|------|
| 3.900 | PUMP ASSEMBLY – Fuel | | | | |
| | PUMP ASSEMBLY | 173, 202 Eng. | | 7415943 | 1 |
| | SCREW and LOCK WASHER ASSEMBLY | 173, 202 Eng. | | 3719206 | 2 |
| | PUMP ASSEMBLY | 253, 308 Eng. | | 2814798 | 1 |
| | ECCENTRIC | 253, 308 Eng. | | 7434758 | 1 |
| | STUD – 3/16" x 1.54" | 253, 308 Eng. | | SP1763 | 1 |
| | PUMP ASSEMBLY | 350 Eng. | | 6440658 | 1 |
| | PLATE – Mounting | 350 Eng. | | 3719599 | 1 |
| | SCREW and LOCK WASHER ASSEMBLY – Mounting plate | 350 Eng. | | 3817006 | 2 |
| 3.901 | REPAIR KIT – Fuel pump | | | | |
| | REPAIR KIT | 173, 202 Eng. | | 7420687 | 1 |
| | REPAIR KIT | 253, 308 Eng. | | 2808183 | 1 |
| 3.902 | BODY, OIL SEAL – Fuel pump | | | | |
| | BODY | 173, 202 Eng. | | 5592850 | 1 |
| | SEAL | 173, 202 Eng. | | 5593301 | 1 |
| | WASHER – Seal | 173, 202 Eng. | | 1521985 | 1 |
| | BODY | 253, 308 Eng. | | 6415453 | 1 |
| | SCREW | 253, 308 Eng. | | SP1976 | 1 |
| 3.903 | BOWL – Fuel pump | | | | |
| | GLASS | 173, 202 Eng. | | 1523094 | 1 |
| 3.904 | GASKET – Fuel pump bowl | | | | |
| | GASKET | 173, 202 Eng. | | 5593404 | 1 |
| 3.905 | SEAT – Fuel pump bowl | | | | |
| | SEAT | 173, 202 Eng. | | 854005 | 1 |
| 3.906 | BAIL and SCREW – Fuel pump | | | | |
| | WITH NUT and SEAT | 173, 202 Eng. | | 5592046 | 1 |
| 3.909 | VALVE and CAGE ASSEMBLY – Fuel pump | | | | |
| | VALVE and CAGE ASSEMBLY | 173, 202 Eng. | | 5593866 | 2 |
| | VALVE ASSEMBLY | 253, 308 Eng. | | 5623374 | 2 |
| 3.910 | COVER – Fuel pump | | | | |
| | COVER | 173, 202 Eng. | | 7950756 | 1 |
| | COVER ASSEMBLY | 253, 308 Eng. | | 6416345 | 1 |
| | SCREW and WASHER | 173, 202, 253, 308 Eng. | | SP1724 | 6 |
| 3.913 | GASKET – Fuel pump valve and cage | | | | |
| | GASKET | 173, 202 Eng. | | 1521953 | 2 |
| | GASKET | 253, 308 Eng. | | VS10806 | 2 |
| 3.920 | ARM – Fuel pump rocker | | | | |
| | ARM | 173, 202 Eng. | | 1523093 | 1 |
| | ARM | 253, 308 Eng. | | 6416623 | 1 |
| 3.921 | PIN, PLUG – Fuel pump rocker arm | | | | |
| | PIN | 173, 202 Eng. | | 5592851 | 1 |
| | PLUG | 173, 202 Eng. | | 5592852 | 2 |
| | PIN | 253, 308 Eng. | | 6414278 | 1 |
| | PLUG | 253, 308 Eng. | | 6414391 | 2 |

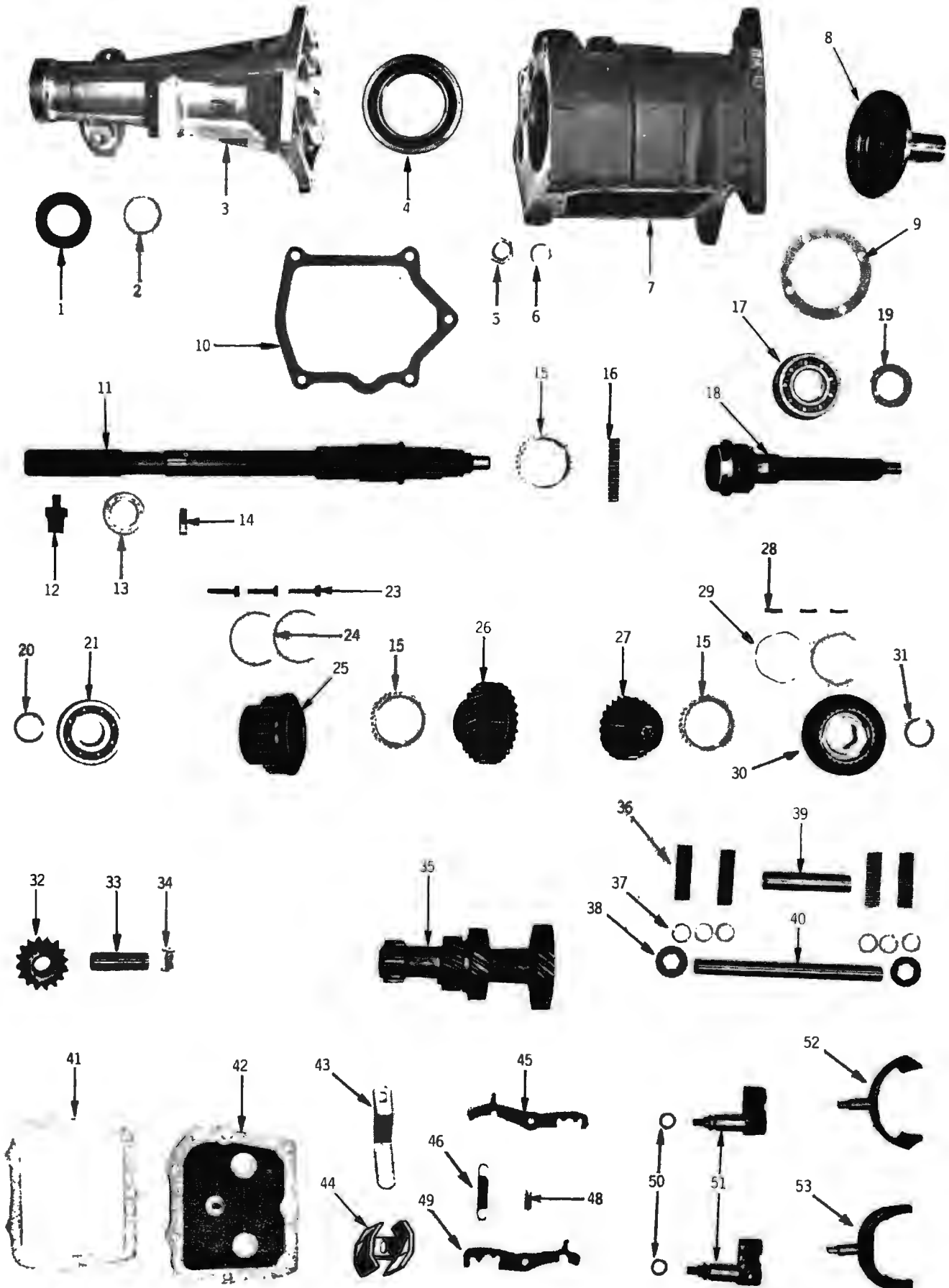
"HQ" PARTS CATALOGUE

| GROUP | DESCRIPTION | MODEL | SIDE | PART No. | QTY. |
|--------------|--|--------------------|------|----------|------|
| 3.922 | SPRING – Fuel pump rocker arm | | | | |
| | SPRING | 173, 202 Eng. | | 1522046 | 1 |
| | SPRING | 253, 308 Eng. | | 6413712 | 1 |
| 3.925 | DIAPHRAGM KIT, DIAPHRAGM ASSEMBLY – Fuel pump | | | | |
| | DIAPHRAGM KIT | 173, 202 Eng. | | 7420688 | 1 |
| | DIAPHRAGM and PULL ROD | 173, 202 Eng. | | 1522199 | 1 |
| | DIAPHRAGM KIT | 253, 308 Eng. | | 2808182 | 1 |
| | DIAPHRAGM and PULL ROD ASSEMBLY | 253, 308 Eng. | | 6413700 | 1 |
| 3.926 | PULSATOR – Fuel pump diaphragm | | | | |
| | PULSATOR | 253, 308 Eng. | | 6413726 | 1 |
| | PLATE – Pulsator cover | 253, 308 Eng. | | 6413724 | 1 |
| 3.927 | SPRING – Fuel pump diaphragm | | | | |
| | SPRING | 173, 202 Eng. | | 7950671 | 1 |
| 3.929 | SCREEN – Fuel pump | | | | |
| | SCREEN | 173, 202 Eng. | | 1523099 | 1 |
| 3.931 | LINK – Fuel pump | | | | |
| | LINK | 173, 202 Eng. | | 1521708 | 1 |
| 3.932 | GASKET – Fuel pump flange and mounting plate | | | | |
| | GASKET | 173, 202 Eng. | | 7426584 | 1 |
| | GASKET | 253, 308 Eng. | | 7434741 | 1 |
| | GASKET – Flange | 350 Eng. | | 9776705 | 1 |
| | GASKET – Mounting plate | 350 Eng. | | 3705044 | 1 |
| 3.935 | ROD – Fuel pump push | | | | |
| | ROD | 350 Eng. | | 3704817 | 1 |



**TRANSMISSION CASE and GEARS
Three Speed Fully Synchronized**

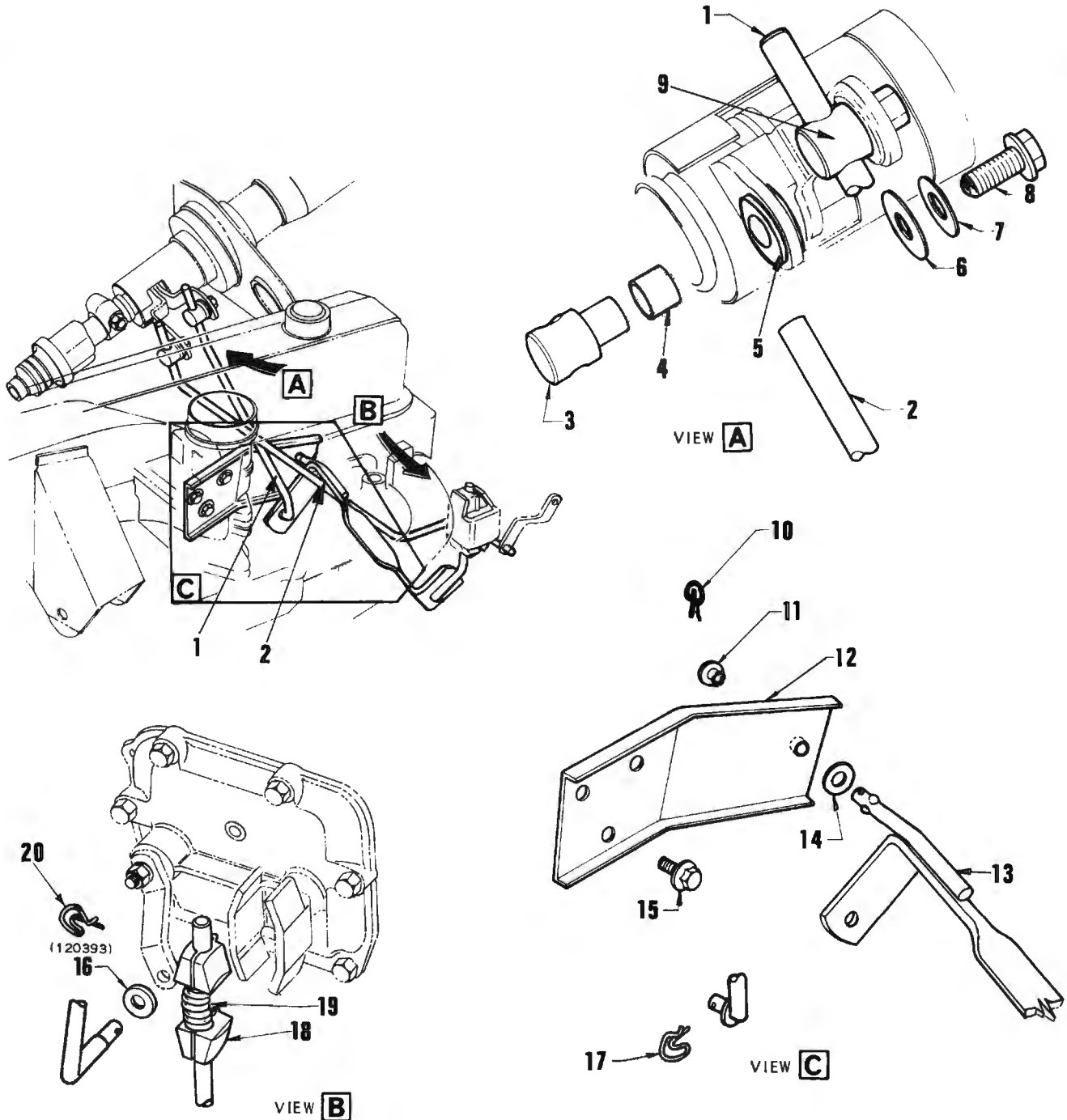
| ILLUS. REF. NO. | PART NAME | GROUP | ILLUS. REF. NO. | PART NAME | GROUP |
|-----------------|---|-------|-----------------|--------------------------------------|-------|
| 1. | GEAR - Clutch | 4.351 | 12. | SHAFT - Main | 4.403 |
| 2. | RETAINER - Clutch gear bearing | 4.356 | 13. | NUT - Bearing retainer | 4.357 |
| 3. | SHAFT - Counter gear | 4.428 | 14. | BEARING - Clutch gear | 4.355 |
| 4. | GEAR - Counter | 4.421 | 15. | GASKET - Bearing retainer | 4.358 |
| 5. | RING - Blocking | 4.383 | 16. | GEAR - 2nd Speed | 4.395 |
| 6. | SYNCHRONIZER ASSY. - 2nd. & 3rd. Speed | 4.380 | 17. | GEAR - 1st Speed | 4.418 |
| 7. | GEAR - Reverse idler | 4.430 | 18. | SYNCHRONIZER ASSY. - 1st & Reverse | 4.380 |
| 8. | WASHER - Counter gear thrust | 4.423 | 19. | CASE | 4.103 |
| 9. | GASKET | 4.318 | 20. | HOUSING ASSY. | 4.317 |
| 10. | WASHER | 4.317 | 21. | BEARING ASSY. - Mainshaft rear | 4.408 |
| 11. | BOLT | 8.900 | 22. | CLIP - Speedo drive gear | 4.338 |
| | | | 23. | GEAR - Speedo drive | 4.337 |



**TRANSMISSION CASE AND GEARS
3 SPEED - FULLY SYNCHRONIZED TRANSMISSION**

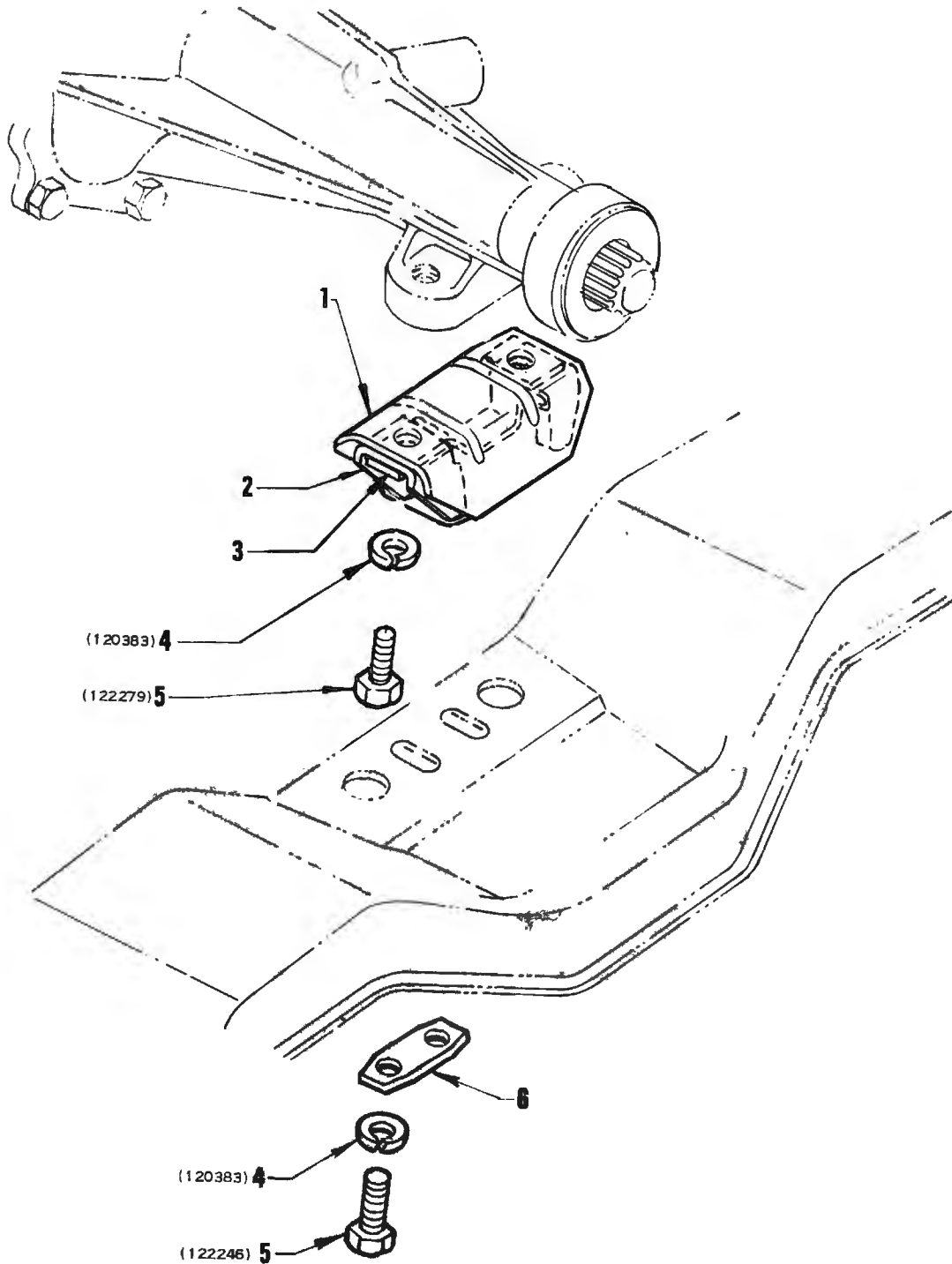
ILLUSTRATION OPPOSITE

| ILLUS. REF. NO. | PART NAME | PART NO. | QTY. | GROUP |
|--------------------|--|----------|------|-------|
| 1. | SEAL - Housing | 3871649 | 1 | 4.317 |
| 2. | BUSHING - Housing | 3717682 | 1 | 4.317 |
| 3. | HOUSING ASSEMBLY | 7433768 | 1 | 4.317 |
| 4. | ADAPTOR - Transmission rear bearing | 7433998 | 1 | 4.317 |
| 5. | PLUG - Transmission filler | 7400181 | 1 | 4.103 |
| 6. | GASKET - Filler plug | 113897 | 1 | 4.103 |
| 7. | CASE | 2822933 | 1 | 4.103 |
| 8. | RETAINER - With 173, 202 Eng. | 7439685 | 1 | 4.356 |
| | - With 253 Eng. | 7436171 | 1 | 4.356 |
| 9. | GASKET - Clutch gear bearing retainer | 591022 | 1 | 4.358 |
| | GASKET - Transmission extension housing | 7433767 | 1 | 4.318 |
| 11. | SHAFT - Main | 7433871 | 1 | 4.403 |
| 12. | GEAR - Driven, 20 teeth | 7430968 | 1 | 4.337 |
| | 21 teeth | 7430969 | 1 | 4.337 |
| | 22 teeth | 7430970 | 1 | 4.337 |
| | 23 teeth | 7430971 | 1 | 4.337 |
| | 25 teeth | 7448810 | 1 | 4.337 |
| 13. | GEAR - Drive | 7437317 | 1 | 4.337 |
| 14. | CLIP - Drive gear | 1373122 | 1 | 4.337 |
| 15. | RING - Blocking | 7434978 | 3 | 4.383 |
| 16. | BEARING - Mainshaft front needle roller | 7400162 | 15 | 4.352 |
| 17. | BEARING - Clutch gear | 7429999 | 1 | 4.355 |
| 18. | GEAR - Clutch, with 173, 202 Eng. | 7433832 | 1 | 4.351 |
| | with 253 Eng. | 2816743 | 1 | 4.351 |
| 19. | NUT - Clutch gear bearing retainer | 591150 | 1 | 4.357 |
| 20. | RING - Mainshaft lock | 3707189 | 1 | 4.412 |
| 21. | BEARING ASSEMBLY - Mainshaft rear | 7433929 | 1 | 4.408 |
| 23. | KEY - 1st and reverse synchronizer | 7435047 | 3 | 4.384 |
| 24. | SPRING - 1st and reverse synchronizer | 7437055 | 2 | 4.383 |
| 25. | SYNCHRONIZER ASSEMBLY - 1st and reverse | 7435045 | 1 | 4.380 |
| 26. | GEAR - First speed | 7434308 | 1 | 4.418 |
| 27. | GEAR - Second speed | 7433830 | 1 | 4.395 |
| 28. | KEY - 2nd and 3rd synchronizer | 7435043 | 3 | 4.384 |
| 29. | SPRING - 2nd and 3rd synchronizer | 7438527 | 2 | 4.383 |
| 30. | SYNCHRONIZER ASSEMBLY - 2nd and 3rd | 7435044 | 1 | 4.380 |
| 31. | RING - 2nd and 3rd synchronizer to mainshaft | 3775089 | 1 | 4.382 |
| 32. | GEAR ASSEMBLY - Reverse idler | 7433868 | 1 | 4.430 |
| 33. | SHAFT - Reverse idler gear | 2814481 | 1 | 4.433 |
| 34. | KEY - Reverse idler gear shaft | 7433986 | 1 | 4.433 |
| 35. | GEAR - Counter | 7434307 | 1 | 4.421 |
| 36. | BEARING - Counter gear needle roller | 9414193 | 92 | 4.422 |
| 37. | WASHER - Bearing | 3775063 | 6 | 4.423 |
| 38. | WASHER - Gear thrust | 7433776 | 2 | 4.423 |
| 39. | SPACER - Bearing | 7433928 | 1 | 4.423 |
| 40. | SHAFT - Counter gear | 3775061 | 1 | 4.428 |
| 41. | GASKET - Transmission cover | 7433769 | 1 | 4.109 |
| 42. | COVER - Transmission | 7433771 | 1 | 4.105 |
| 43. | LEVER - 1st and reverse external | 2813960 | 1 | 4.050 |
| 44. | LEVER - 2nd and 3rd external | 2813963 | 1 | 4.046 |
| 45. | CAM - 1st and reverse detent | 7433772 | 1 | 4.311 |
| 46. | SPRING - Detent cam | 7433927 | 1 | 4.311 |
| 48. | PIN - Detent cam | SP2094 | 1 | 4.311 |
| 49. | CAM - 2nd and 3rd detent | 7433773 | 1 | 4.311 |
| 50. | SEAL - Shifter shaft | 7430136 | 2 | 4.309 |
| 51. | SHAFT ASSEMBLY - Shifter fork | 7433869 | 2 | 4.309 |
| 52. | FORK - 1st and reverse shift | 7433774 | 1 | 4.304 |
| 53. | FORK - 2nd and 3rd shift | 7433775 | 1 | 4.303 |



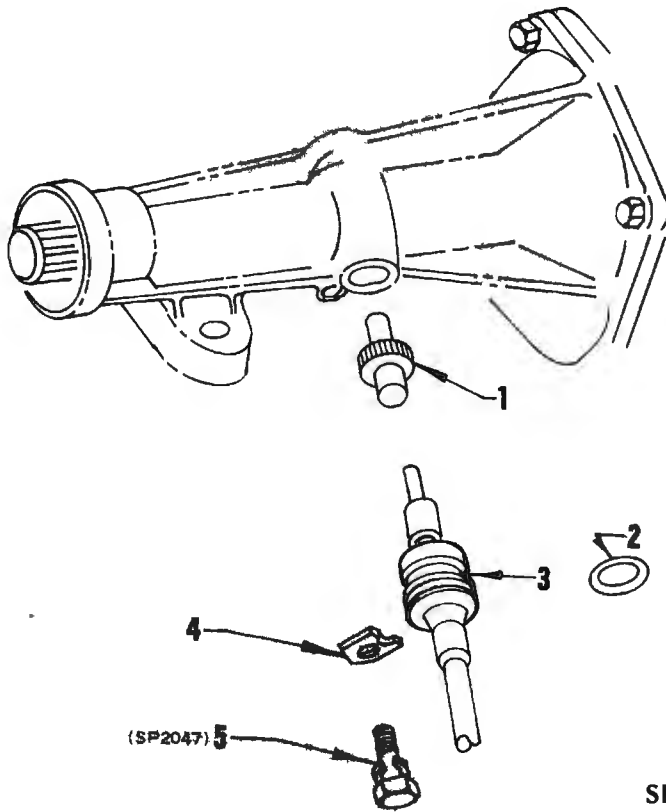
GEARSHIFT CONTROL

| ILLUS. REF. NO. | PART NAME | GROUP | ILLUS. REF. NO. | PART NAME | GROUP |
|-----------------|---|-------|-----------------|---|-------|
| 1. | ROD - 2nd & 3rd Shift | 4.019 | 11. | SLEEVE | 4.019 |
| 2. | ROD - 1st & reverse shift | 4.020 | 12. | BRACKET - Cross shaft to frame | 4.019 |
| 3. | TRUNNION - Shift rod | 4.020 | 13. | SHAFT ASSEMBLY - Cross | 4.019 |
| 4. | SLEEVE - Shift rod | 4.020 | 14. | WASHER - Shaft to bracket | 4.019 |
| 5. | INSULATOR - Shift rod | 4.020 | 15. | BOLT | 4.019 |
| 6. | WASHER - Shift rod | 4.020 | 16. | WASHER - Flat | 8.929 |
| 7. | WASHER - Spring | 4.020 | 17. | RETAINER - Rod to cross shaft | 4.019 |
| 8. | SCREW - Shift rod | 4.020 | 18. | BEARING - Shaft to external lever | 4.019 |
| 9. | TRUNNION - Shift rod | 4.019 | 19. | SPRING - Shaft to bearing support | 4.019 |
| 10. | RETAINER - Cross shaft to bracket | 4.019 | 20. | RETAINER - Rod to external lever | 4.020 |



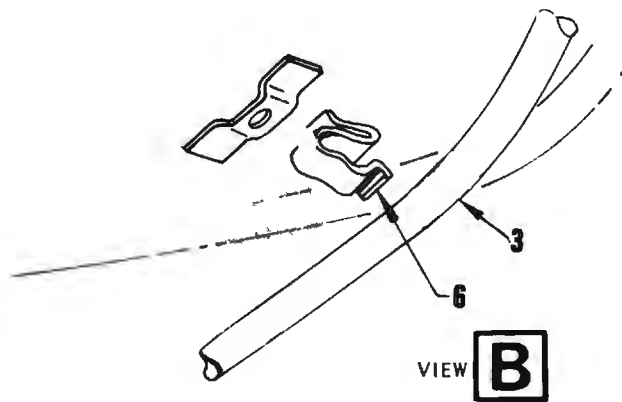
TRANSMISSION MOUNTING

| ILLUS. REF. NO. | PART NAME | GROUP | ILLUS. REF. NO. | PART NAME | GROUP |
|-----------------|-------------------------------------|-------|-----------------|---|-------|
| 1. | MOUNTING ASSEMBLY | 4.081 | 4. | WASHER - Lock | 8.931 |
| 2. | ARRESTOR - Rear side mounting | 4.081 | 5. | BOLT - Hexagon head | 8.900 |
| 3. | ARRESTOR - Rear mounting | 4.081 | 6. | SPACER - Mounting to cross member | 4.081 |



SPEEDOMETER GEAR AND CABLE

| ILLUS. REF. NO. | PART NAME | GROUP |
|--------------------|-----------------------------------|-------|
| 1. | GEAR - Driven | 4.337 |
| 2. | SEAL - "O" Ring | 4.338 |
| 3. | CABLE & CASING | 4.342 |
| 4. | RETAINER - Casing drive end | 4.342 |
| 5. | BOLT - Hexagon head | 8.900 |
| 6. | CLIP - Cable to floor pan | 4.342 |



| GROUP | DESCRIPTION | MODEL | SIDE | PART No. | QTY. |
|--|---|---------------|------|-----------|------|
| TRANSMISSION ASSEMBLY, 3-SPEED MANUAL CONTROL, FULLY SYNCHRONIZED | | | | | |
| FITTED IN VEHICLES EQUIPPED WITH 173, 202, 253 CU. IN. ENGINES | | | | | |
| 4.003 | TRANSMISSION ASSEMBLY | | | | |
| | TRANSMISSION ASSEMBLY | 173, 202 Eng. | | 2813956 | 1 |
| | TRANSMISSION ASSEMBLY | 253 Eng. | | 2813957 | 1 |
| | OVERHAUL KIT | ALL | | 7449498 | 1 |
| | REPAIR KIT | ALL | | 2810932 | 1 |
| 4.005 | GASKET SET – Transmission | | | | |
| | GASKET SET | ALL | | 7449499 | 1 |
| 4.006 | LEVER – Gearshift control | | | | |
| | LEVER | ALL | | 2813558 | 1 |
| 4.007 | TUBE ASSEMBLY – Gearshift control | | | | |
| | TUBE ASSEMBLY | ALL | | 2813167 | 1 |
| | PIN | ALL | | 7429551 | 1 |
| | INSULATOR – Inner | ALL | | 2811744 | 1 |
| | INSULATOR – Outer | ALL | | 2811743 | 1 |
| 4.009 | KNOB – Gearshift control lever | | | | |
| | TRIM NOS. – 10A, 10B, 10C, 10E, 10G, 10H, 10M, 10N, 10R, 10S, 10T, 10U, 14M, 17A, 19C, 22A, 22B, 22E, 22R, 24A, 24B, 24E, 24R, 28E, 28H, 28M, 28N, 28R, 28S, 28U, 30A, 30B, 30E, 30G, 30H, 30M, 30N, 30R, 30T, 32A, 32B, 32E, 32R, 34A, 34B, 34E, 34G, 34M, 34N, 34R, 34T, 36E, 36G, 36R, 36T (Black) | ALL | | 2813559BA | 1 |
| | TRIM NOS. – 11A, 11B, 11E, 11G, 11M, 11N, 11R, 11S, 11T (Saddle) | ALL | | 2813559CA | 1 |
| | TRIM NOS. – 12A, 12B, 12E, 12R (Red) | ALL | | 2813559CB | 1 |
| | TRIM NOS. – 14A, 14B, 14E, 14R (Blue) | ALL | | 2813559CD | 1 |
| | TRIM NOS. – 16E, 16G, 16R, 16T (Green) | ALL | | 2813559CE | 1 |
| | TRIM NOS. – 18E, 18H, 18M, 18N, 18R, 18S, 18U (Flax) | ALL | | 2813559CH | 1 |
| | TRIM NOS. – 19A, 19B, 19E, 19G, 19M, 19N, 19R, 19S, 19T, 21A, 21B, 21E, 21G, 21M, 21N, 21R, 21S, 21T (Brown) | ALL | | 2813559CJ | 1 |
| | TRIM NOS. – 35A, 35B, 35E, 35G, 35M, 35N, 35R (Ash) | ALL | | 2813559DD | 1 |
| | TRIM NOS. 38E, 38G, 38M, 38N, 38R, 38T, 39A, 39B, 39E, 39G, 39M, 39N, 39R, 39T (Chestnut) | ALL | | 2813559DG | 1 |
| 4.017 | SPRING – Gearshift | | | | |
| | SPRING – Lower control | ALL | | 7433264 | 1 |
| | SPRING – Selector return | ALL | | 2807897 | 1 |
| 4.018 | SUPPORT – Gearshift control | | | | |
| | SUPPORT | ALL | | 2813555 | 1 |
| | SPACER | ALL | | 2813557 | 1 |
| 4.019 | LEVER, RETAINER, ROD, TRUNNION, INSULATOR, BRACKET – Gearshift 2nd and 3rd shift | | | | |
| | LEVER – 2nd and 3rd shift | ALL | | 2813961 | 1 |
| | RETAINER – 2nd and 3rd shift lever lower | ALL | | 2813176 | 1 |
| | ROD – 2nd and 3rd shift | ALL | | 2813962 | 1 |
| | TRUNNION – Shift rod | ALL | | 2814030 | 1 |
| | WASHER – Shift rod | ALL | | SP2042 | 1 |
| | WASHER – Spring | ALL | | 1367656 | 1 |
| | SLEEVE – Shift rod | ALL | | 2814031 | 1 |

"HQ" PARTS CATALOGUE

| GROUP | DESCRIPTION | MODEL | SIDE | PART No. | QTY. |
|--|--|-------|------|----------|------|
| TRANSMISSION ASSEMBLY, 3-SPEED MANUAL CONTROL, FULLY SYNCHRONIZED | | | | | |
| FITTED IN VEHICLES EQUIPPED WITH 173, 202, 253 CU. IN. ENGINES | | | | | |
| 4.019 | LEVER, RETAINER, ROD, TRUNNION, INSULATOR, BRACKET – Gearshift 2nd and 3rd shift (contd.) | | | | |
| | INSULATOR – Shift rod | ALL | | 2814033 | 1 |
| | SCREW – Shift rod | ALL | | SP2459 | 1 |
| | SPACER – Lower control | ALL | | 2807707 | 1 |
| | RETAINER – Rod to cross shaft | ALL | | 3749084 | 1 |
| | SHAFT ASSEMBLY – Cross | ALL | | 2813968 | 1 |
| | WASHER – Shaft to bracket | ALL | | SP1807 | 1 |
| | SLEEVE | ALL | | 2805207 | 1 |
| | RETAINER – Shaft to bracket | ALL | | 3749084 | 1 |
| | BRACKET – Cross shaft to frame | ALL | | 2813966 | 1 |
| | BOLT – Hex. ftg. hd. $\frac{3}{16}$ " – 18 x $\frac{5}{8}$ " tapped | ALL | | SP2240 | 3 |
| | BEARING – Shaft to external lever | ALL | | 2813964 | 2 |
| | SPRING – Shaft to bearing support | ALL | | 2813965 | 1 |
| 4.020 | LEVER, RETAINER, ROD, INSULATOR – Gearshift 1st and reverse shift | | | | |
| | LEVER – 1st and reverse shift | ALL | | 2813958 | 1 |
| | RETAINER – 1st and reverse shift lever lower | ALL | | 2812591 | 1 |
| | ROD – 1st and reverse shift | ALL | | 2813959 | 1 |
| | TRUNNION – Shift rod | ALL | | 2814030 | 1 |
| | WASHER – Shift rod | ALL | | SP2042 | 1 |
| | WASHER – Spring | ALL | | 1367656 | 1 |
| | SLEEVE – Shift rod | ALL | | 2814031 | 1 |
| | INSULATOR – Shift rod | ALL | | 2814033 | 1 |
| | SCREW – Shift rod | ALL | | SP2459 | 1 |
| | RETAINER – Rod to external lever | ALL | | 3749084 | 1 |
| 4.046 | LEVER – 2nd and 3rd shifter | | | | |
| | LEVER – 2nd and 3rd external | ALL | | 2813963 | 1 |
| | NUT – Special | ALL | | 7417652 | 1 |
| 4.050 | LEVER – 1st and Reverse | | | | |
| | LEVER – 1st and reverse external | ALL | | 2813960 | 1 |
| | NUT – Special | ALL | | 7417652 | 1 |
| 4.081 | MOUNTING ARRESTOR – Transmission support | | | | |
| | MOUNTING ASSEMBLY | ALL | | 7432236 | 1 |
| | ARRESTOR – Rear mounting | ALL | | 2819856 | 1 |
| | ARRESTOR – Rear side mounting | ALL | | 2819855 | 2 |
| | SPACER – Mounting to crossmember | ALL | | 7421049 | 1 |
| 4.103 | CASE ASSEMBLY – Transmission | | | | |
| | CASE | ALL | | 2822933 | 1 |
| | MAGNET – Chip collector | ALL | | 3787240 | 1 |
| | PLUG – Transmission filler ($\frac{3}{4}$ " – 16) | ALL | | 7400181 | 1 |
| | GASKET – Filter plug ($\frac{3}{4}$ " annular) | ALL | | 113897 | 1 |
| 4.105 | COVER – Transmission | | | | |
| | COVER | ALL | | 7433771 | 1 |
| | SCREW ASSY. – Cover to case | ALL | | SP2141 | 4 |
| 4.109 | GASKET – Transmission cover | | | | |
| | GASKET | ALL | | 7433769 | 1 |
| 4.303 | FORK – Transmission shifter shaft 2nd and 3rd | | | | |
| | FORK – 2nd and 3rd | ALL | | 7433775 | 1 |

"HQ" PARTS CATALOGUE

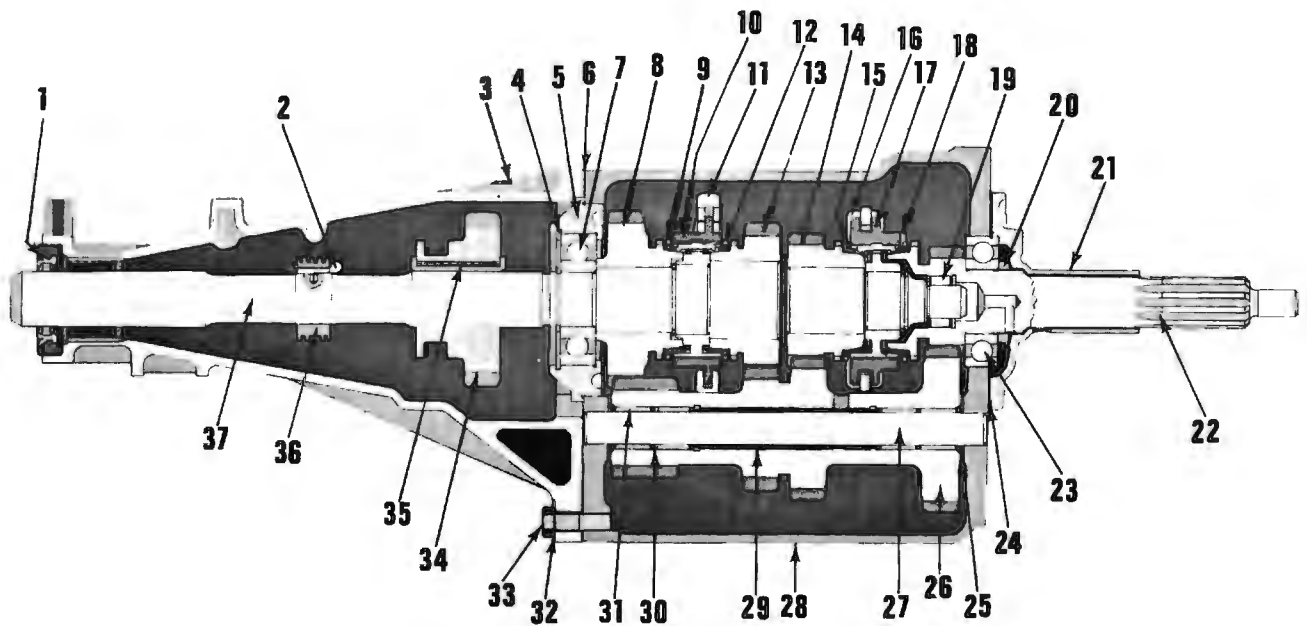
| GROUP | DESCRIPTION | MODEL | SIDE | PART No. | QTY. |
|--|---|--|------|----------|------|
| TRANSMISSION ASSEMBLY, 3-SPEED MANUAL CONTROL, FULLY SYNCHRONIZED FITTED IN VEHICLES EQUIPPED WITH 173, 202, 253 CU. IN. ENGINES | | | | | |
| 4.304 | FORK – Transmission shifter shaft 1st and reverse | | | | |
| | FORK – 1st and reverse | ALL | | 7433774 | 1 |
| 4.309 | SHAFT, SEAL – Transmission shift fork | | | | |
| | SHAFT ASSEMBLY | ALL | | 7433869 | 2 |
| | SEAL – Shift shaft – 'O' Ring $\frac{1}{16}$ " x $\frac{3}{32}$ " | ALL | | 7430136 | 2 |
| 4.311 | CAM, SPRING – Transmission detent | | | | |
| | CAM – 1st and reverse detent | ALL | | 7433772 | 1 |
| | CAM – 2nd and 3rd detent | ALL | | 7433773 | 1 |
| | PIN – Detent cam | ALL | | SP2094 | 1 |
| | SPRING – Detent cam | ALL | | 7433927 | 1 |
| 4.317 | HOUSING, ADAPTOR, BUSHING, SEAL – Transmission extension | | | | |
| | HOUSING ASSEMBLY | ALL | | 7433768 | 1 |
| | ADAPTOR – Transmission rear bearing | ALL | | 7433998 | 1 |
| | WASHER | ALL | | 7400256 | 1 |
| | BUSHING – Housing | ALL | | 3717682 | 1 |
| | SEAL – Housing | ALL | | 3871649 | 1 |
| 4.318 | GASKET – Transmission extension housing | | | | |
| | GASKET | ALL | | 7433767 | 1 |
| 4.337 | GEAR, CLIP – Speedometer driven and drive | | | | |
| | GEAR – Driven – 19 teeth – Pink | 3.08 : 1 A.R. 78 x 14 tyres | | 7430967 | 1 |
| | GEAR – Driven – 20 teeth – White | 3.08 : 1 A.R. exc. 78 x 14 tyres | | 7430968 | 1 |
| | GEAR – Driven – 21 teeth – Green | 3.36 : 1 A.R. 7.35 x 14, 78 x 14, 195 x 14 tyres | | 7430969 | 1 |
| | GEAR – Driven – 22 teeth – Dark blue | 3.36 : 1 A.R. 6.95 x 14, 185 x 14, 70 x 14 tyres | | 7430970 | 1 |
| | GEAR – Driven – 22 teeth – Dark blue | 3.55 : 1 A.R. 78 x 14, 195 x 14 tyres | | 7430970 | 1 |
| | GEAR – Driven – 23 teeth – Red | 3.55 : 1 A.R. 6.95 x 14, 185 x 14, 70 x 14, 7.35 x 14 tyres | | 7430971 | 1 |
| | GEAR – Driven – 24 teeth – Yellow | 3.90 : 1 A.R. F78-14, F78L-14, FB78S-14 tyres | | 7430972 | 1 |
| | GEAR – Driven – 25 teeth – Light blue | 3.90 : 1 A.R. 6.95 x 14, 7.35 x 14, 70 x 14, 185 x 14, EB78 x 14, 195 x 14 tyres | | 7448810 | 1 |
| | GEAR – Drive | ALL | | 7437317 | 1 |
| | CLIP – Drive gear | ALL | | 1373122 | 1 |
| 4.338 | SEAL – Speedometer driven gear | | | | |
| | SEAL – 'O' Ring ($\frac{1}{16}$ " I.D. x $\frac{1}{8}$ ") | ALL | | 7430921 | 1 |
| 4.342 | CABLE and CASING – Speedometer | | | | |
| | CABLE and CASING | ALL | | 2814250 | 1 |
| | CABLE KIT | ALL | | VS11990 | 1 |
| | CLIP – Cable to floor pan | ALL | | 7434452 | 1 |
| | RETAINER – Casing drive end | ALL | | 7430917 | 1 |
| | SEAL – Cable | ALL | | 7434266 | 1 |
| | RETAINER – Seal | ALL | | 2817874 | 1 |
| 4.351 | GEAR – Clutch | | | | |
| | GEAR | 173, 202 Eng. | | 7433832 | 1 |
| | GEAR | 253 Eng. | | 2816743 | 1 |

"HQ" PARTS CATALOGUE

| GROUP | DESCRIPTION | MODEL | SIDE | PART No. | QTY. |
|--|---|---------------|------|----------|------|
| TRANSMISSION ASSEMBLY, 3-SPEED MANUAL CONTROL, FULLY SYNCHRONIZED | | | | | |
| FITTED IN VEHICLES EQUIPPED WITH 173, 202, 253 CU. IN. ENGINES | | | | | |
| 4.352 | BEARING – Mainshaft front | | | | |
| | BEARING – Mainshaft front needle roller | ALL | | 7400162 | 15 |
| | BEARING PACKAGE | ALL | | 7449495 | 1 |
| 4.355 | BEARING ASSEMBLY – Clutch gear | | | | |
| | BEARING | ALL | | 7429989 | 1 |
| 4.356 | RETAINER – Clutch gear bearing | | | | |
| | RETAINER | 173, 202 Eng. | | 7439685 | 1 |
| | RETAINER | 253 Eng. | | 7436171 | 1 |
| 4.357 | NUT – Clutch gear bearing retainer | | | | |
| | NUT | ALL | | 591150 | 1 |
| 4.358 | GASKET – Clutch gear bearing retainer | | | | |
| | GASKET | ALL | | 591022 | 1 |
| 4.380 | SYNCHRONIZER ASSEMBLY – Transmission | | | | |
| | SYNCHRONIZER ASSEMBLY – 1st and reverse | ALL | | 7435045 | 1 |
| | SYNCHRONIZER ASSEMBLY – 2nd and 3rd | ALL | | 7435044 | 1 |
| 4.382 | RING – Transmission synchronizer | | | | |
| | RING – 2nd and 3rd synchro to mainshaft | ALL | | 3775089 | 1 |
| 4.383 | SPRING, RING – Transmission synchronizer | | | | |
| | SPRING – 1st and reverse | ALL | | 7437055 | 2 |
| | SPRING – 2nd and 3rd | ALL | | 7438527 | 2 |
| | RING – Blocking | ALL | | 7434978 | 3 |
| 4.384 | KEY – Transmission synchronizer | | | | |
| | KEY – 1st and reverse | ALL | | 7435047 | 3 |
| | KEY – 2nd and 3rd | ALL | | 7435043 | 3 |
| 4.395 | GEAR – Mainshaft second speed | | | | |
| | GEAR | ALL | | 7433830 | 1 |
| 4.403 | SHAFT – Transmission main | | | | |
| | SHAFT | ALL | | 7433871 | 1 |
| 4.408 | BEARING ASSEMBLY – Mainshaft rear | | | | |
| | BEARING ASSEMBLY | ALL | | 7433929 | 1 |
| 4.412 | RING – Mainshaft lock | | | | |
| | RING | ALL | | 3707189 | 1 |
| 4.418 | GEAR – Mainshaft first speed | | | | |
| | GEAR | ALL | | 7434308 | 1 |
| 4.421 | GEAR – Counter | | | | |
| | GEAR | ALL | | 7434307 | 1 |
| 4.422 | BEARING – Counter gear | | | | |
| | NEEDLE ROLLER | ALL | | 9414193 | 92 |
| | BEARING PACKAGE | ALL | | 7449496 | 1 |

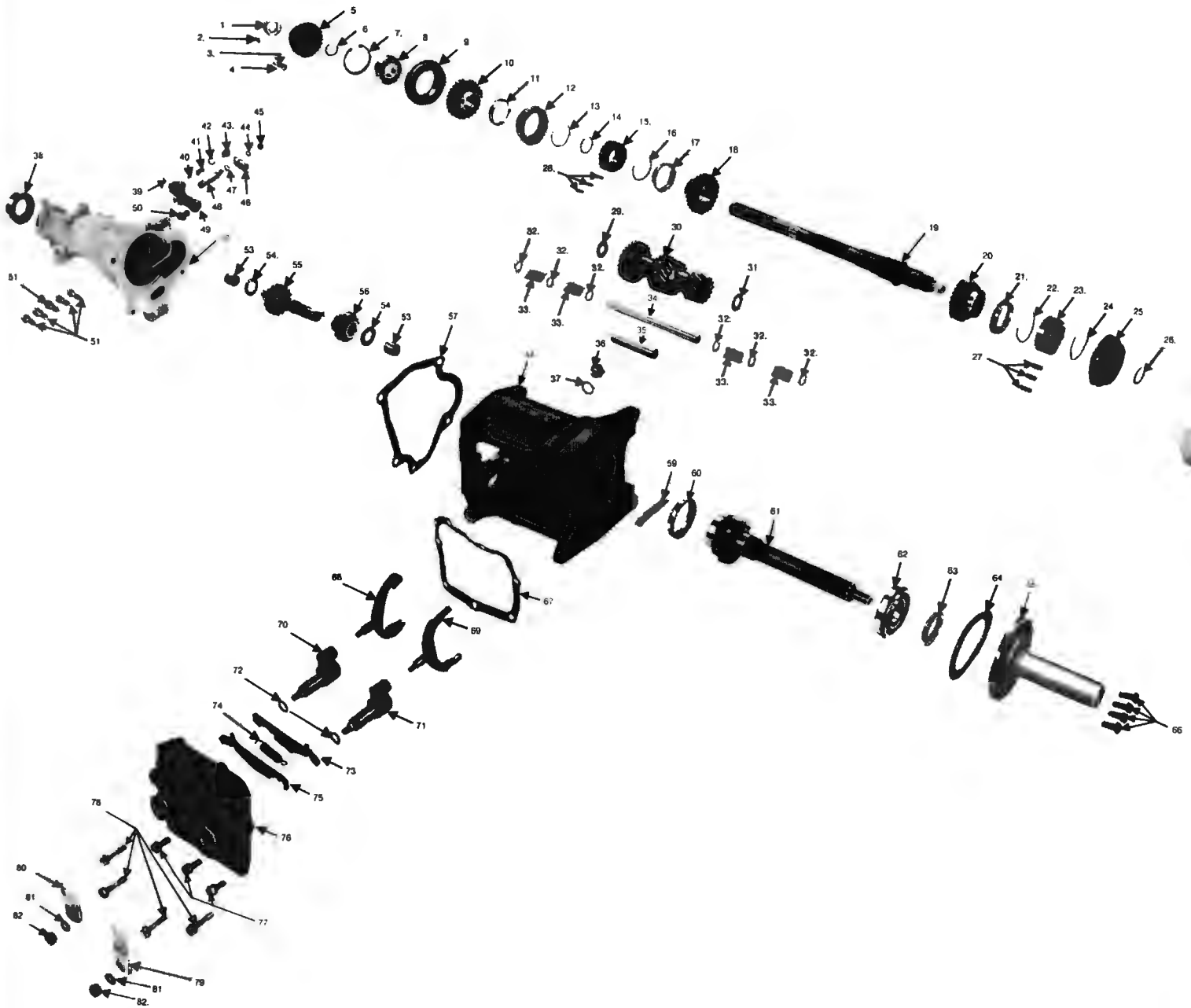
"HQ" PARTS CATALOGUE

| GROUP | DESCRIPTION | MODEL | SIDE | PART No. | QTY. |
|--|--|-----------|------|----------|------|
| TRANSMISSION ASSEMBLY, 3-SPEED MANUAL CONTROL, FULLY SYNCHRONIZED | | | | | |
| FITTED IN VEHICLES EQUIPPED WITH 173, 202, 253 CU. IN. ENGINES | | | | | |
| 4.423 | WASHER – Counter shaft | | | | |
| | WASHER – Bearing | ALL | | 3775063 | 6 |
| | SPACER – Bearing | ALL | | 7433928 | 1 |
| | WASHER – Gear thrust | ALL | | 7433776 | 2 |
| 4.428 | SHAFT – Counter gear | | | | |
| | SHAFT | ALL | | 3775061 | 1 |
| 4.430 | GEAR ASSEMBLY – Reverse idler | | | | |
| | GEAR ASSEMBLY | ALL | | 7433868 | 1 |
| 4.433 | SHAFT, KEY – Reverse idler gear | | | | |
| | SHAFT | ALL | | 2814481 | 1 |
| | KEY | ALL | | 7433986 | 1 |
| 4.437 | SPACER – Reverse idler | | | | |
| | SPACER | ALL | | 2814480 | 1 |



**TRANSMISSION ASSEMBLY – FOUR SPEED MANUAL CONTROL
(6 Cyl. Engine)**

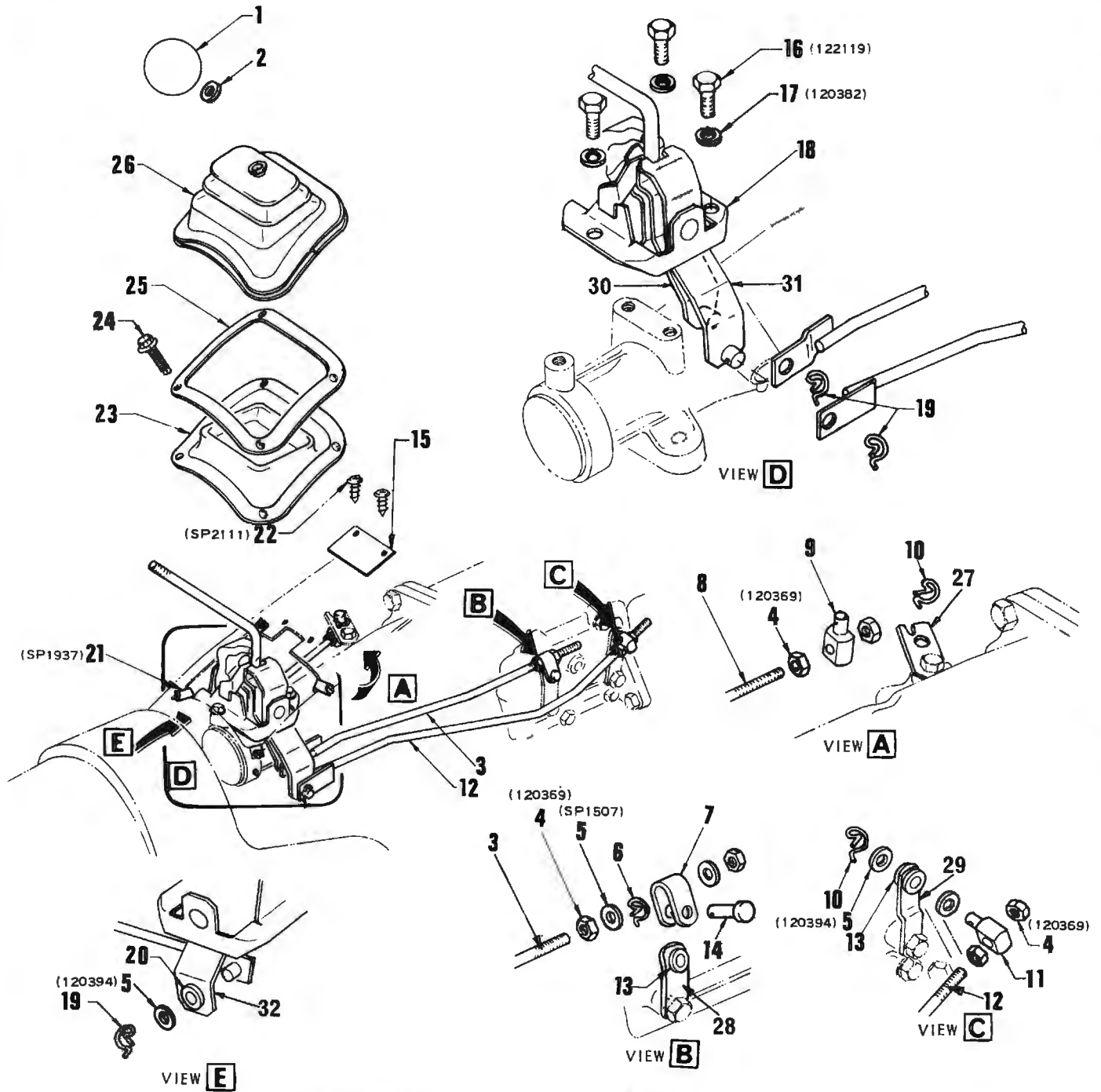
| ILLUS. REF. NO. | PART NAME | GROUP | ILLUS. REF. NO. | PART NAME | GROUP |
|-----------------|--|-------|-----------------|---|-------|
| 1. | SEAL – Extension housing oil | 4.317 | 20. | NUT – Bearing retainer | 4.357 |
| 2. | CLIP – Speedometer drive gear | 4.337 | 21. | RETAINER – Clutch gear bearing | 4.356 |
| 3. | HOUSING – Rear extension | 4.317 | 22. | GEAR – Clutch | 4.351 |
| 4. | RING – Rear bearing locating | 4.412 | 23. | BEARING – Clutch gear | 4.355 |
| 5. | ADAPTOR – Rear bearing | 4.317 | 24. | GASKET – Bearing retainer | 4.358 |
| 6. | GASKET – Extension housing | 4.318 | 25. | WASHER – Counter gear thrust | 4.423 |
| 7. | BEARING – Main shaft rear | 4.408 | 26. | GEAR – Counter | 4.421 |
| 8. | GEAR – First speed | 4.418 | 27. | SHAFT – Counter gear | 4.428 |
| 9. | RING – Blocking | 4.383 | 28. | CASE – Transmission | 4.103 |
| 10. | SYNCHRONIZER ASSY. – 1st. & 2nd. speed | 4.380 | 29. | SPACER – Counter gear bearing | 4.423 |
| 11. | FORK – 1st. & 2nd. speed shift | 4.303 | 30. | WASHER – Counter shaft bearing | 4.423 |
| 12. | RING – Blocking | 4.383 | 31. | BEARING – Needle roller | 4.422 |
| 13. | GEAR – 2nd. speed | 4.395 | 32. | WASHER | 4.317 |
| 14. | GEAR – 3rd. speed | 4.415 | 33. | BOLT – Hex hd 3/8" – 16 x 1 1/8" w/washer | 8.900 |
| 15. | RING – Blocking | 4.383 | 34. | GEAR – Reverse | 4.418 |
| 16. | FORK – 3rd. & 4th. speed shift | 4.303 | 35. | PLATE – Reverse gear anti-lash | 4.419 |
| 17. | SYNCHRONIZER ASSY. – 3rd. & 4th. speed | 4.380 | 36. | GEAR – Speedometer drive | 4.337 |
| 18. | RING – Blocking | 4.383 | 37. | SHAFT – Main | 4.403 |
| 19. | BEARING – Needle roller | 4.352 | | | |



**TRANSMISSION ASSEMBLY, FOUR SPEED MANUAL CONTROL
173,202,253,308CU. IN. ENGINES**

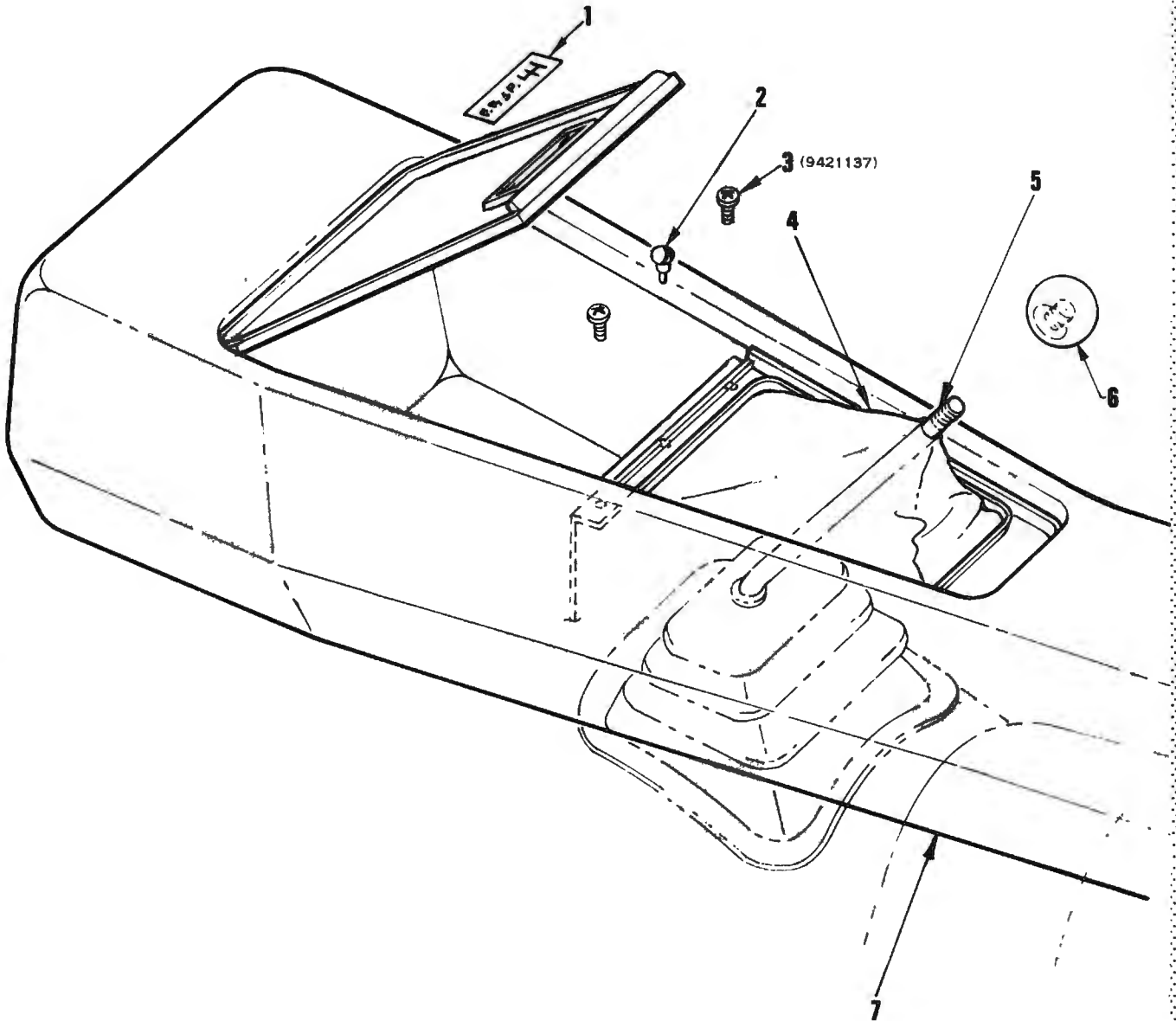
ILLUSTRATION OPPOSITE

| ILLUS. REF. NO. | PART NAME | PART NO. | QTY. | GROUP | ILLUS. REF. NO. | PART NAME | PART NO. | QTY. | GROUP |
|-----------------|--|----------|------|-------|-----------------|---|---------------|------|-------|
| 1. | GEAR — Drive | 5258493 | 1 | 4.337 | 38. | SEAL — Extension housing oil .. | 3871649 | 1 | 4.317 |
| 2. | CLIP — Drive gear | 1373122 | 1 | 4.337 | 39. | PIN | 455481 | 1 | 8.941 |
| 3. | SPRING — Anti lash plate | 2813522 | 1 | 4.419 | 40. | BALL — Reverse detent | 147489 | 1 | 4.311 |
| 4. | PLATE — Anti lash | 2813517 | 1 | 4.419 | 41. | SPRING — Reverse detent | 2813527 | 1 | 4.311 |
| 5. | GEAR — Reverse | 2813525 | 1 | 4.418 | 42. | WASHER — Reverse detent | 2813521 | 1 | 4.311 |
| 6. | RING — Mainshaft lock | 3707189 | 1 | 4.412 | 43. | BOLT | 123540 | 1 | 8.900 |
| 7. | RING — Locating | 2809457 | 1 | 4.412 | 44. | WASHER — Lock | SP1486 | 1 | 8.931 |
| 8. | BEARING — Rear | 7433929 | 1 | 4.408 | 45. | NUT — Lever to shaft | 7417652 | 1 | 4.045 |
| 9. | ADAPTOR — Rear bearing | 2813513 | 1 | 4.317 | 46. | LEVER — Reverse, external | 2811032 | 1 | 4.045 |
| 10. | GEAR — First speed | 2813489 | 1 | 4.418 | 47. | SEAL — "O" Ring reverse shift shaft | 2809290 | 1 | 4.309 |
| 11. | RING — Blocking | 7434978 | 1 | 4.383 | 48. | SHAFT — Reverse shift | 2813514 | 1 | 4.309 |
| 12/13/15/16 | SYNCHRONIZER ASSY. — 1st & 2nd speed | 2813515 | 1 | 4.380 | 49. | LEVER — Reverse internal shift | 2809600 | 1 | 4.316 |
| 13. | SPRING — Synchronizer — 1st & 2nd. speed | 7437055 | 1 | 4.383 | 50. | YOKE — Reverse shifter | 2809727 | 1 | 4.304 |
| 14. | RING — Synchronizer retainer — 1st & 2nd speed | 7429966 | 1 | 4.382 | 51. | BOLT | 425348/122145 | A,R | 8.900 |
| 16. | SPRING — Synchronizer 1st & 2nd speed | 7437055 | 1 | 4.383 | 52. | HOUSING — Rear extension | 2813504 | 1 | 4.317 |
| 17. | RING — Blocking | 7434978 | 1 | 4.383 | 53. | BUSHING — Reverse idler | 2820528 | 2 | 4.433 |
| 18. | GEAR — 2nd speed | 2813490 | 1 | 4.395 | 54. | WASHER — Idler gear thrust | 2813519 | 2 | 4.432 |
| 19. | SHAFT — Main | 2813493 | 1 | 4.403 | 55. | GEAR — Reverse idler, rear | 2813499 | 1 | 4.430 |
| 20. | GEAR — 3rd speed | | | | 56. | GEAR — Reverse idler, front | 2813498 | 1 | 4.430 |
| | 3.05 : 1 Low gear ratio | 2813491 | 1 | 4.415 | 57. | GASKET — Rear extension hsg. | 2813507 | 1 | 4.318 |
| | 3.74 : 1 Low gear ratio | 2820696 | 1 | 4.415 | 58. | CASE — Transmission | 2829795 | 1 | 4.103 |
| | 3.05 : 1 Low gear ratio | 2813491 | 1 | 4.415 | 59. | BEARING — Needle roller | 7400162 | 15 | 4.352 |
| | 2.54 : 1 Low gear ratio | 2813492 | 1 | 4.415 | 60. | RING — Blocking | 7434978 | 1 | 4.383 |
| 21. | RING — Blocking | 7434978 | 1 | 4.383 | 61. | GEAR — Clutch | | | |
| 22. | SPRING — Synchronizer 3rd & 4th speed | 7438527 | 1 | 4.383 | | 3.05 : 1 Low gear ratio | 2813494 | 1 | 4.351 |
| 22/23/24/25 | SYNCHRONIZER ASSY. — 3rd & 4th speed | 7435044 | 1 | 4.380 | | 3.74 : 1 Low gear ratio | 7433832 | 1 | 4.351 |
| 24. | SPRING — Synchronizer 3rd & 4th speed | 7438527 | 1 | 4.383 | | 3.05 : 1 Low gear ratio | 2817577 | 1 | 4.351 |
| 26. | RING — Synchronizer retainer 3rd & 4th speed | 3775089 | 1 | 4.382 | | 2.54 : 1 Low gear ratio | 2813495 | 1 | 4.351 |
| 27. | KEY — Synchronizer 3rd & 4th speed | 7435043 | 3 | 4.384 | 62. | BEARING — Clutch gear | 7429999 | 1 | 4.355 |
| 28. | KEY — Synchronizer 1st & 2nd speed | 7435043 | 3 | 4.384 | 63. | NUT — Bearing retainer | 591150 | 1 | 4.357 |
| 29. | WASHER — Gear thrust | 7433776 | 1 | 4.423 | 64. | GASKET — Bearing retainer | 591022 | 1 | 4.358 |
| 30. | GEAR — Counter | | | | 65. | RETAINER — Clutch gear bearing | | | |
| | 3.05 : 1 Low gear ratio | 2813496 | 1 | 4.421 | | 173,202 Eng. | 7439685 | 1 | 4.356 |
| | 3.74 : 1 Low Gear ratio | 2820694 | 1 | 4.421 | | 253,308 Eng. | 7436171 | 1 | 4.356 |
| | 3.05 : 1 Low gear ratio | 2813496 | 1 | 4.421 | 66. | BOLT | 179816 | 4 | 8.900 |
| | 2.54 : 1 Low gear ratio | 2813497 | 1 | 4.421 | 67. | GASKET — Cover | 7433769 | 1 | 4.109 |
| 31. | WASHER — Gear thrust | 7433776 | 1 | 4.423 | 68. | FORK — 1st & 2nd speed shift .. | 2813506 | 1 | 4.303 |
| 32. | WASHER — Counter shaft bearing .. | 3775063 | 6 | 4.423 | 69. | FORK — 3rd & 4th speed shift .. | 7433775 | 1 | 4.303 |
| 33. | BEARING — Needle roller | 9414193 | 92 | 4.422 | 70. | SHAFT ASSY. — Shifter fork | 7433869 | 1 | 4.309 |
| 34. | SHAFT — Counter gear | 3775061 | 1 | 4.428 | 71. | SHAFT ASSY. — Shifter fork | 7433869 | 1 | 4.309 |
| 35. | SPACER — Counter gear bearing .. | 7433928 | 1 | 4.423 | 72. | SEAL — "O" Ring shift shaft | 7430136 | 2 | 4.309 |
| 36. | PLUG — Filler | 7400181 | 1 | 4.103 | 73. | CAM — 1st & 2nd speed detent .. | 2813501 | 1 | 4.311 |
| 37. | GASKET — Filler plug | 113897 | 1 | 4.103 | 74. | SPRING — Detent cam | 7433927 | 1 | 4.311 |
| | | | | | 75. | CAM — 3rd & 4th speed detent .. | 2813511 | 1 | 4.311 |
| | | | | | 76. | COVER | 7433771 | 1 | 4.105 |
| | | | | | 77. | BOLT | 9413576 | 3 | 8.900 |
| | | | | | 78. | BOLT | 9415818 | 4 | 8.900 |
| | | | | | 79. | LEVER — 3rd & 4th speed shift .. | 2812219 | 1 | 4.045 |
| | | | | | 80. | LEVER — 1st & 2nd speed shift .. | 2812220 | 1 | 4.045 |
| | | | | | 81. | WASHER — Lock | SP1486 | 2 | 8.931 |
| | | | | | 82. | NUT — Lever to shaft | 7417652 | 2 | 4.045 |



TRANSMISSION CONTROL LINKAGE

| ILLUS. REF. NO. | PART NAME | GROUP | ILLUS. REF. NO. | PART NAME | GROUP | ILLUS. REF. NO. | PART NAME | GROUP |
|-----------------|--------------------------------|-------|-----------------|-----------------------------------|--------|-----------------|----------------------------------|-------|
| 1. | KNOB | 4.009 | 12. | ROD - 3rd & 4th speed rod | 4.035 | 23. | SEAL | 4.015 |
| 2. | NUT - Knob lock | 4.009 | 13. | INSULATOR | 4.035 | 24. | SCREW - Retainer to floor pan .. | 4.015 |
| 3. | ROD - 1st & 2nd speed | 4.035 | 14. | PIN - Clamp to lever | 4.035 | 25. | RETAINER - Floor pan boot | 4.015 |
| 4. | NUT - Hexagon | 8.915 | 15. | COVER - Floor pan | 12.972 | 26. | BOOT - Floor pan | 4.015 |
| 5. | WASHER - Flat | 8.929 | 16. | BOLT - Hexagon head | 8.900 | 27. | LEVER - Reverse speed | 4.045 |
| 6. | RETAINER - Pin to clamp | 4.035 | 17. | WASHER - Lock | 8.931 | 28. | LEVER - 1st & 2nd speed | 4.045 |
| 7. | CLAMP - Rod | 4.035 | 18. | MOUNTING ASSY. | 4.010 | 29. | LEVER - 3rd & 4th speed | 4.045 |
| 8. | ROD - Reverse | 4.035 | 19. | RETAINER - Shift rods to levers.. | 4.035 | 30. | LEVER - 1st & 2nd shift | 4.030 |
| 9. | TRUNNION - Reverse rod | 4.035 | 20. | INSULATOR - Rev.rod to trans.lvr. | 4.035 | 31. | LEVER - 3rd & 4th shift | 4.030 |
| 10. | RETAINER - Trunnion | 4.035 | 21. | NUT - Stamped | 8.921 | 32. | LEVER - Reverse shift | 4.030 |
| 11. | TRUNNION - 3rd & 4th speed rod | 4.035 | 22. | SCREW - Sheet metal | 8.977 | | | |

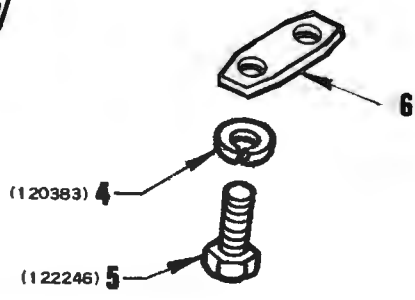
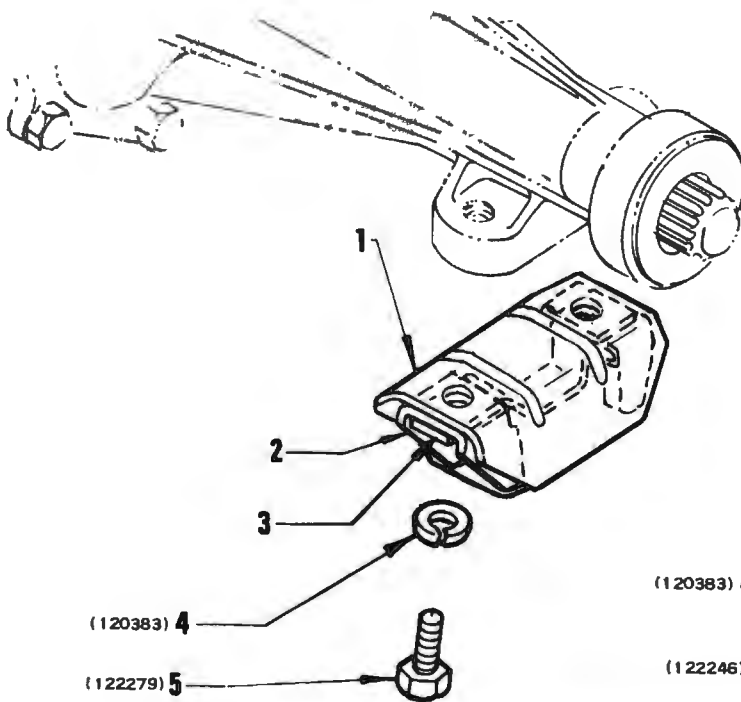
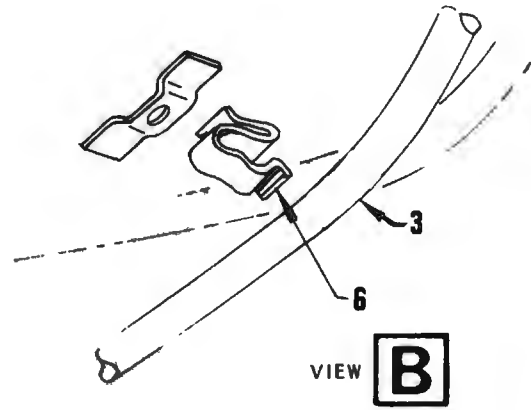
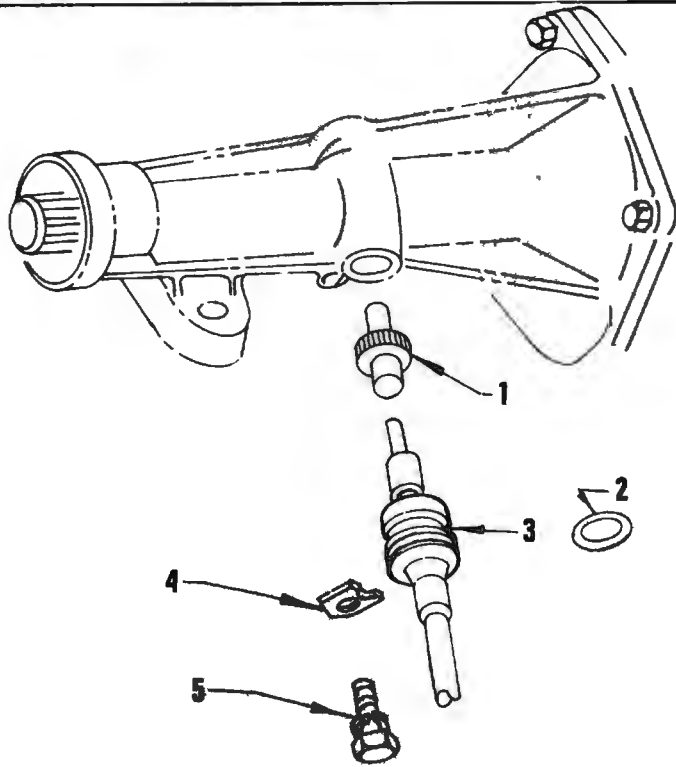


TRANSMISSION CONTROL

| ILLUS. REF. NO. | PART NAME | GROUP | ILLUS. REF. NO. | PART NAME | GROUP |
|-----------------|---|--------|-----------------|--------------------------------------|--------|
| 1. | INSERT - Manual gearshift pattern | 15.293 | 5. | LEVER & YOKE ASSEMBLY | 4.006 |
| 2. | BUMPER - Console lid | 15.292 | 6. | KNOB - Gearshift lever control | 4.009 |
| 3. | SCREW - Sheet metal | 8.977 | 7. | HOUSING - Transmission console | 15.290 |
| 4. | BOOT - Cover | 4.015 | | | |

SPEEDOMETER GEAR AND CABLE

| ILLUS. REF. NO. | PART NAME | GROUP |
|-----------------|-----------------------------------|-------|
| 1. | GEAR – Driven | 4.337 |
| 2. | SEAL – "O" Ring | 4.338 |
| 3. | CABLE & CASING | 4.342 |
| 4. | RETAINER – Casing drive end | 4.342 |
| 5. | BOLT – Hexagon head | 8.900 |
| 6. | CLIP – Cable to floor pan | 4.342 |



TRANSMISSION MOUNTING

| ILLUS. REF. NO. | PART NAME | GROUP | ILLUS. REF. NO. | PART NAME | GROUP |
|-----------------|-------------------------------------|-------|-----------------|---|-------|
| 1. | MOUNTING ASSEMBLY | 4.081 | 4. | WASHER – Lock | 8.931 |
| 2. | ARRESTOR – Rear side mounting | 4.081 | 5. | BOLT – Hexagon head | 8.900 |
| 3. | ARRESTOR – Rear mounting | 4.081 | 6. | SPACER – Mounting to cross member | 4.081 |

"HQ" PARTS CATALOGUE

| GROUP | DESCRIPTION | MODEL | SIDE | PART No. | QTY. |
|---|---|--|------|----------|------|
| TRANSMISSION ASSEMBLY, FOUR SPEED MANUAL CONTROL, FLOOR SHIFT (LONG LEVER), CONSOLE SHIFT (STUBBY LEVER) FITTED IN VEHICLES EQUIPPED WITH 173, 202, 253, 308 CU. IN. ENGINES | | | | | |
| 4.003 | TRANSMISSION ASSEMBLY | | | | |
| | TRANSMISSION ASSEMBLY - 3.05 Low Gear Ratio | 173, 202 Eng., Passenger | | 9929149 | 1 |
| | TRANSMISSION ASSEMBLY - 3.74 Low Gear Ratio | 173, 202 Eng., Passenger, Commercial | | 2820693 | 1 |
| | TRANSMISSION ASSEMBLY - 3.05 Low Gear Ratio | 253 Eng. | | 2817578 | 1 |
| | TRANSMISSION ASSEMBLY - 2.54 Low Gear Ratio | 253, 308 Eng. | | 9929150 | 1 |
| 4.006 | LEVER - Gearshift control | | | | |
| | MOUNTING & LEVER ASSY. | Console Shift | | 2825519 | 1 |
| | LEVER & YOKE ASSEMBLY | Floor Shift | | 2819375 | 1 |
| | LEVER & YOKE ASSEMBLY | Console Shift | | 2825518 | 1 |
| | SPRING - Lever & yoke preload | ALL | | 2822917 | 1 |
| 4.009 | KNOB - Gearshift lever control | | | | |
| | KNOB | Floor Shift | | 2817736 | 1 |
| | KNOB | Console Shift | | 2817737 | 1 |
| | NUT - Knob lock | Floor Shift | | 2805499 | 1 |
| 4.010 | MOUNTING - Gearshift control lever | | | | |
| | MOUNTING ASSEMBLY | ALL | | 2814941 | 1 |
| 4.015 | BOOT, SEAL, RETAINER - Gearshift control | | | | |
| | BOOT - Floor pan | ALL | | 2811342 | 1 |
| | RETAINER - Floor pan boot | ALL | | 2811344 | 1 |
| | SEAL | ALL | | 2811339 | 1 |
| | SCREW & WASHER ASSEMBLY - Retainer to floor pan | ALL | | SP2211 | 4 |
| | BOOT - Cover | Console Shift | | 2817276 | 1 |
| | RETAINER - Cover boot | Console Shift | | 2816967 | 1 |
| | NUT - Boot to cover | Console Shift | | SP1534 | 7 |
| | FERRULE - Boot | Console Shift | | 2818652 | 1 |
| | 'O' RING - Boot to ferrule | Console Shift | | SP2216 | 1 |
| 4.030 | LEVER, SPRING, SHAFT, WASHER - Transmission control | | | | |
| | LEVER - 1st and 2nd shift | ALL | | 2811327 | 1 |
| | LEVER - 3rd and 4th shift | ALL | | 2811328 | 1 |
| | LEVER - Reverse shift | ALL | | 2811329 | 1 |
| | SPRING - Reverse lockout | ALL | | 2819001 | 1 |
| | SHAFT - Control lever | ALL | | 2814806 | 1 |
| | WASHER - Shaft retainer | ALL | | 9421089 | 1 |
| | WASHER - 3rd and 4th shift lever preload | ALL | | 2814887 | 1 |
| | SLEEVE - Reverse lockout spring | ALL | | 2820682 | 1 |
| 4.035 | ROD, CLAMP, TRUNNION, NUT, RETAINER - Transmission shifter | | | | |
| | ROD - 1st and 2nd speed | ALL | | 2811022 | 1 |
| | CLAMP - Rod | ALL | | 7431816 | 1 |
| | INSULATOR | ALL | | 7418439 | 1 |
| | PIN - Clamp to lever - Clevis .335" x .85" | ALL | | SP1730 | 1 |
| | WASHER - Rod to lever plain .62" x .38" x .059" | ALL | | SP1507 | 2 |
| | RETAINER - Pin to clamp | ALL | | 3749084 | 1 |
| | ROD - 3rd and 4th speed | ALL | | 2811023 | 1 |
| | TRUNNION - 3rd and 4th speed rod | ALL | | 7410279 | 1 |
| | INSULATOR | ALL | | 7418439 | 1 |
| | WASHER - Special | ALL | | 7400948 | 2 |
| | RETAINER - Trunnion | ALL | | 3749084 | 1 |

| GROUP | DESCRIPTION | MODEL | SIDE | PART No. | QTY. |
|--|--|-----------|------|----------|------|
| TRANSMISSION ASSEMBLY, FOUR SPEED MANUAL CONTROL, FLOOR SHIFT (LONG LEVER), CONSOLE SHIFT (STUBBY LEVER) FITTED IN VEHICLES EQUIPPED WITH 173, 202, 253, 308 CU. IN. ENGINES | | | | | |
| 4.035 | ROD, CLAMP, TRUNNION, NUT, RETAINER – Transmission shifter (contd.) | | | | |
| | ROD – Reverse | ALL | | 2811024 | 1 |
| | TRUNNION – Reverse rod | ALL | | 2812082 | 1 |
| | RETAINER – Trunnion | ALL | | 3749084 | 1 |
| | INSULATOR – Reverse rod to trans. control lever | ALL | | 7418439 | 1 |
| | RETAINER – Shifter rods to control levers | ALL | | 3749084 | 3 |
| 4.045 | LEVER – Transmission shifter shaft | | | | |
| | LEVER – 1st and 2nd speed | ALL | | 2812220 | 1 |
| | LEVER – 3rd and 4th speed | ALL | | 2812219 | 1 |
| | LEVER – Reverse, external | ALL | | 2811032 | 1 |
| | NUT – Levers to shafts | ALL | | 7417652 | 3 |
| 4.081 | MOUNTING – Transmission support | | | | |
| | MOUNTING ASSEMBLY | ALL | | 7432236 | 1 |
| | ARRESTOR – Rear mounting | ALL | | 2819856 | 1 |
| | ARRESTOR – Rear side mounting | ALL | | 2819855 | 2 |
| | SPACER – Mounting to crossmember | ALL | | 7421049 | 1 |
| 4.103 | CASE ASSEMBLY – Transmission | | | | |
| | CASE ASSEMBLY | ALL | | 2829795 | 1 |
| | PLUG – Transmission filler (3/8" – 16) | ALL | | 7400181 | 1 |
| | GASKET – Filler plug (3/8" annular) | ALL | | 113897 | 1 |
| 4.105 | COVER – Transmission | | | | |
| | COVER | ALL | | 7433771 | 1 |
| 4.109 | GASKET – Transmission cover | | | | |
| | GASKET | ALL | | 7433769 | 1 |
| 4.303 | FORK – Transmission shifter | | | | |
| | FORK – 1st and 2nd speed | ALL | | 2813506 | 1 |
| | FORK – 3rd and 4th speed | ALL | | 7433775 | 1 |
| 4.304 | YOKE – Reverse shifter | | | | |
| | YOKE | ALL | | 2809727 | 1 |
| 4.309 | SHAFT, SEAL – Transmission shifter | | | | |
| | SHAFT ASSEMBLY – 1st and 2nd, 3rd and 4th | ALL | | 7433869 | 2 |
| | SEAL – Shift shaft – 'O' Ring 5/8" x 3/32" | ALL | | 7430136 | 2 |
| | SHAFT – Reverse shift | ALL | | 2813514 | 1 |
| | SLEEVE – Reverse shift shaft | ALL | | 2813520 | 1 |
| | SEAL – Reverse shift shaft – 'O' Ring 3/8" x 3/32" | ALL | | 2809290 | 1 |
| 4.311 | CAM, PIN, SPRING, BALL – Transmission detent | | | | |
| | CAM – 1st and 2nd speed | ALL | | 2813501 | 1 |
| | CAM – 3rd and 4th speed | ALL | | 2813511 | 1 |
| | PIN – Detent cam | ALL | | SP2094 | 1 |
| | SPRING – Detent cam | ALL | | 7433927 | 1 |
| | BALL – Reverse shift lever detent (3/8" dia.) | ALL | | 147489 | 1 |
| | SPRING – Reverse lever detent ball | ALL | | 2813527 | 1 |
| | WASHER – Reverse detent | ALL | | 2813521 | 1 |
| 4.316 | LEVER – Reverse internal shifter | | | | |
| | LEVER | ALL | | 2809600 | 1 |

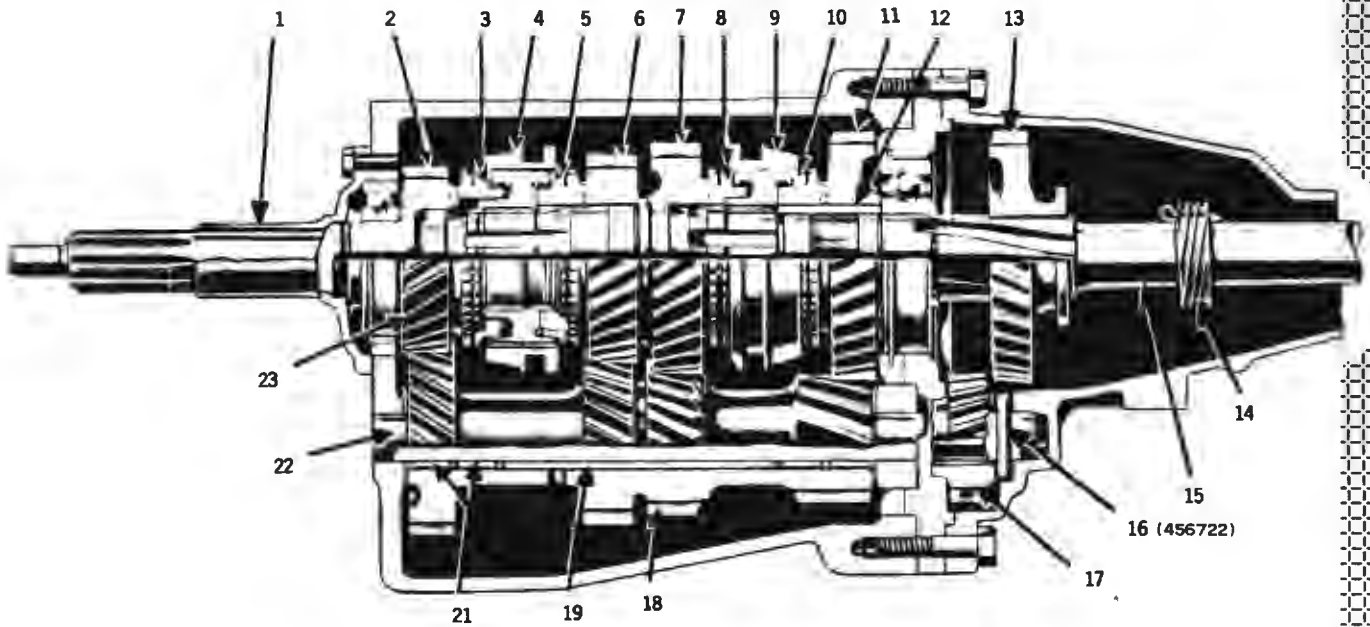
| GROUP | DESCRIPTION | MODEL | SIDE | PART No. | QTY. |
|---|--|--|------|----------|------|
| TRANSMISSION ASSEMBLY, FOUR SPEED MANUAL CONTROL, FLOOR SHIFT (LONG LEVER), CONSOLE SHIFT (STUBBY LEVER) | | | | | |
| FITTED IN VEHICLES EQUIPPED WITH 173, 202, 253, 308 CU. IN. ENGINES | | | | | |
| 4.317 | HOUSING, ADAPTOR, SEAL – Transmission extension | | | | |
| | HOUSING ASSEMBLY | ALL | | 2813504 | 1 |
| | ADAPTOR – Transmission rear bearing | ALL | | 2813513 | 1 |
| | SEAL – Housing | ALL | | 3871649 | 1 |
| | WASHER – Housing to case | ALL | | 7400256 | 1 |
| 4.318 | GASKET – Transmission extension housing | | | | |
| | GASKET | ALL | | 2813507 | 1 |
| 4.337 | GEAR – Speedometer driven and drive | | | | |
| | GEAR – Driven – 19 teeth – Pink | 3.08 : 1 A.R. 78 x 14 tyres | | 7430967 | 1 |
| | GEAR – Driven – 20 teeth – White | 3.08 : 1 A.R. exc. 78 x 14 tyres | | 7430968 | 1 |
| | GEAR – Driven – 21 teeth – Green | 3.36 : 1 A.R. 7.35 x 14, 78 x 14, 195 x 14 tyres | | 7430969 | 1 |
| | GEAR – Driven – 22 teeth – Dark blue | 3.36 : 1 A.R. 6.95 x 14, 185 x 14, 70 x 14 tyres | | 7430970 | 1 |
| | GEAR – Driven – 22 teeth – Dark blue | 3.55 : 1 A.R. 78 x 14, 195 x 14 tyres | | 7430970 | 1 |
| | GEAR – Driven – 23 teeth – Red | 3.55 : 1 A.R. 6.95 x 14, 185 x 14, 70 x 14, 7.35 x 14 tyres | | 7430971 | 1 |
| | GEAR – Driven – 24 teeth – Yellow | 3.90 : 1 A.R. F78-14, F78L-14, FB78S-14 tyres | | 7430972 | 1 |
| | GEAR – Driven – 25 teeth – Light blue | 3.90 : 1 A.R. 6.95 x 14, 7.35 x 14, 70 x 14, 185 x 14, EB78 x 14, 195 x 14 tyres | | 7448810 | 1 |
| | GEAR – Drive | ALL | | 5258493 | 1 |
| 4.338 | SEAL – Speedometer driven gear | | | | |
| | SEAL – 'O' Ring (1/8" I.D. x 1/8") | ALL | | 7430921 | 1 |
| 4.342 | CABLE and CASING – Speedometer | | | | |
| | CABLE & CASING | ALL | | 2814250 | 1 |
| | CABLE KIT | ALL | | VS11990 | 1 |
| | CLIP – Cable to floor pan | ALL | | 7434452 | 1 |
| | RETAINER – Drive end | ALL | | 7430917 | 1 |
| | SEAL – Cable | ALL | | 7434266 | 1 |
| | RETAINER – Seal | ALL | | 2817874 | 1 |
| 4.351 | GEAR – Clutch | | | | |
| | GEAR – 3.05 : 1 Low Gear Ratio | 173, 202 Eng., Passenger | | 2813494 | 1 |
| | GEAR – 3.74 : 1 Low Gear Ratio | 173, 202 Eng., Passenger, Commercial | | 7433832 | 1 |
| | GEAR – 3.05 : 1 Low Gear Ratio | 253 Eng. | | 2817577 | 1 |
| | GEAR – 2.54 : 1 Low Gear Ratio | 253, 308 Eng. | | 2813495 | 1 |
| 4.352 | BEARING – Main shaft front | | | | |
| | BEARING – Needle roller | ALL | | 7400162 | 15 |
| | BEARING PACKAGE | ALL | | 7449495 | 1 |
| 4.355 | BEARING ASSEMBLY – Clutch gear | | | | |
| | BEARING | ALL | | 7429999 | 1 |
| 4.356 | RETAINER – Clutch gear bearing | | | | |
| | RETAINER | 173, 202 Eng. | | 7439685 | 1 |
| | RETAINER | 253, 308 Eng. | | 7436171 | 1 |
| 4.357 | NUT – Clutch gear bearing retainer | | | | |
| | NUT | ALL | | 591150 | 1 |

"HQ" PARTS CATALOGUE

| GROUP | DESCRIPTION | MODEL | SIDE | PART No. | QTY. |
|---|--|--|------|----------|------|
| TRANSMISSION ASSEMBLY, FOUR SPEED MANUAL CONTROL, FLOOR SHIFT (LONG LEVER), CONSOLE SHIFT (STUBBY LEVER) FITTED IN VEHICLES EQUIPPED WITH 173, 202, 253, 308 CU. IN. ENGINES | | | | | |
| 4.358 | GASKET – Clutch gear bearing retainer | | | | |
| | GASKET | ALL | | 591022 | 1 |
| 4.380 | SYNCHRONIZER ASSEMBLY – Transmission | | | | |
| | SYNCHRONIZER ASSEMBLY – 1st and 2nd speed | ALL | | 2813515 | 1 |
| | SYNCHRONIZER ASSEMBLY – 2nd and 3rd speed | ALL | | 7435044 | 1 |
| 4.382 | RING – Transmission synchronizer retainer | | | | |
| | RING – 1st and 2nd | ALL | | 7429966 | 1 |
| | RING – 3rd and 4th | ALL | | 3775089 | 1 |
| 4.383 | SPRING, RING – Transmission synchronizer | | | | |
| | SPRING – 1st and 2nd | ALL | | 7437055 | 2 |
| | SPRING – 3rd and 4th | ALL | | 7438527 | 2 |
| | RING – Blocking | ALL | | 7434978 | A.R. |
| 4.384 | KEY – Transmission synchronizer | | | | |
| | KEY | ALL | | 7435043 | 6 |
| 4.395 | GEAR – Second speed | | | | |
| | GEAR | ALL | | 2813490 | 1 |
| 4.403 | SHAFT – Transmission main | | | | |
| | SHAFT | ALL | | 2813493 | 1 |
| 4.408 | BEARING ASSEMBLY – Mainshaft rear | | | | |
| | BEARING ASSEMBLY | ALL | | 7433929 | 1 |
| 4.412 | RING – Transmission bearing | | | | |
| | RING – Locating | ALL | | 2809457 | 1 |
| | RING – Mainshaft lock | ALL | | 3707189 | 1 |
| 4.415 | GEAR – Third speed | | | | |
| | GEAR – 3.05 : 1 Low Gear Ratio | 173, 202 Eng., Passenger | | 2813491 | 1 |
| | GEAR – 3.74 : 1 Low Gear Ratio | 173, 202 Eng., Passenger, Commercial | | 2820696 | 1 |
| | GEAR – 3.05 : 1 Low Gear Ratio | 253 Eng. | | 2813491 | 1 |
| | GEAR – 2.54 : 1 Low Gear Ratio | 253, 308 Eng. | | 2813492 | 1 |
| 4.418 | GEAR – Mainshaft, first speed, reverse | | | | |
| | GEAR – 1st speed | ALL | | 2813489 | 1 |
| | GEAR – Reverse | ALL | | 2813525 | 1 |
| | GEAR – Reverse, 3.05 : 1 Low Gear Ratio | 173, 202, 253 Eng. | | 2813525 | 1 |
| | GEAR – Reverse, 3.54 : 1 Low Gear Ratio | 253, 308 Eng. | | 2813500 | 1 |
| | GEAR – Reverse, 3.74 : 1 Low Gear Ratio | 173, 202 Eng. | | 2813525 | 1 |
| 4.419 | PLATE, SPRING – Reverse gear anti-lash | | | | |
| | PLATE | 173, 202 Eng. | | 2813517 | 1 |
| | SPRING | 173, 202 Eng. | | 2813522 | 1 |
| 4.421 | GEAR – Counter | | | | |
| | GEAR – 3.05 : 1 Low Gear Ratio | 173, 202 Eng., Passenger | | 2813496 | 1 |
| | GEAR – 3.74 : 1 Low Gear Ratio | 173, 202 Eng., Passenger, Commercial | | 2820694 | 1 |
| | GEAR – 3.05 : 1 Low Gear Ratio | 253 Eng. | | 2813496 | 1 |
| | GEAR – 2.54 : 1 Low Gear Ratio | 253, 308 Eng. | | 2813497 | 1 |

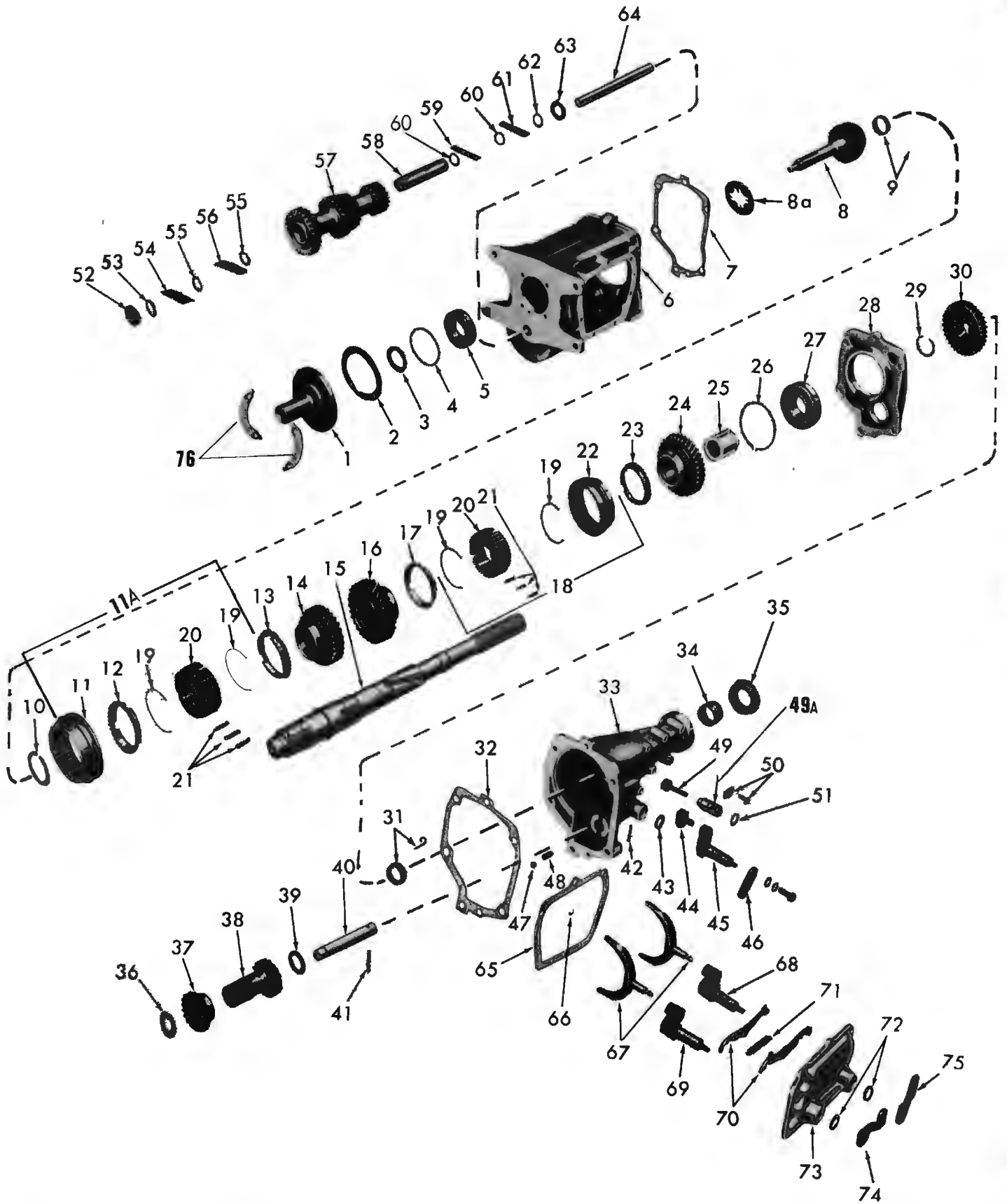
"HQ" PARTS CATALOGUE

| GROUP | DESCRIPTION | MODEL | SIDE | PART No. | QTY. |
|---|---|-----------|------|----------|------|
| TRANSMISSION ASSEMBLY, FOUR SPEED MANUAL CONTROL, FLOOR SHIFT (LONG LEVER), CONSOLE SHIFT (STUBBY LEVER) | | | | | |
| FITTED IN VEHICLES EQUIPPED WITH 173, 202, 253, 308 CU. IN. ENGINES | | | | | |
| 4.422 | BEARING – Counter gear | | | | |
| | BEARING – Needle roller | ALL | | 9414193 | 92 |
| | BEARING PACKAGE | ALL | | 7449496 | 1 |
| 4.423 | WASHER – Counter shaft | | | | |
| | WASHER – Bearing | ALL | | 3775063 | 6 |
| | SPACER – Bearing | ALL | | 7433928 | 1 |
| | WASHER – Gear thrust | ALL | | 7433776 | 2 |
| 4.428 | SHAFT – Counter gear | | | | |
| | SHAFT | ALL | | 3775061 | 1 |
| 4.430 | GEAR – Reverse idler | | | | |
| | GEAR – Front (use with case 2813505) | ALL | | 2813498 | 1 |
| | GEAR – Rear (use with case 2813505) | ALL | | 2813499 | 1 |
| | GEAR | ALL | | 2825988 | 1 |
| 4.432 | WASHER – Reverse idler gear thrust | | | | |
| | WASHER | ALL | | 2813519 | 2 |
| 4.433 | BUSHING – Reverse idler gear | | | | |
| | BUSHING – Reverse idler to transmission case and extension housing | ALL | | 2820528 | 2 |



**TRANSMISSION ASSEMBLY – FOUR SPEED MANUAL CONTROL
350 Eng.**

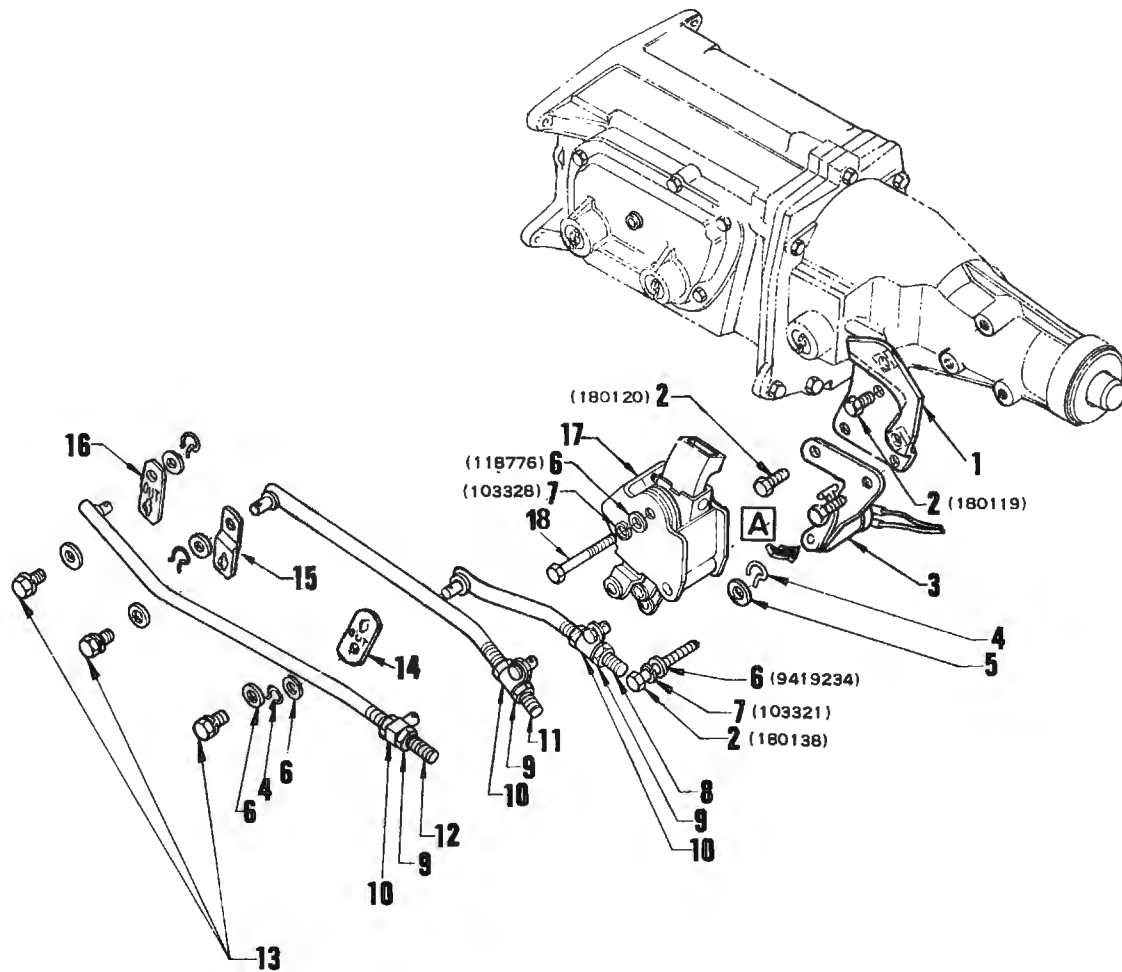
| ILLUS. REF. NO. | PART NAME | GROUP | ILLUS. REF. NO. | PART NAME | GROUP |
|-----------------|--------------------------------------|-------|-----------------|---|-------|
| 1. | RETAINER | 4.356 | 14. | GEAR – Speedometer drive | 4.337 |
| 2. | GEAR & SLINGER ASSEMBLY | 4.351 | 15. | SHAFT – Main | 4.408 |
| 3. | RING – Blocking | 4.383 | 16. | PIN – Dowel, 1/4" x 1.1/2" | 8.939 |
| 4. | SYNCHRONIZER ASSY – 3rd. & 4th. | 4.380 | 17. | GEAR – Reverse idler, rear | 4.430 |
| 5. | RING – Blocking | 4.383 | 18. | GEAR – Counter | 4.421 |
| 6. | GEAR – 3rd speed | 4.415 | 19. | SPACER – Counter shaft bearing | 4.423 |
| 7. | GEAR – 2nd. speed | 4.395 | 21. | BEARING – Counter gear needle roller..... | 4.422 |
| 8. | RING – Blocking | 4.383 | 22. | SHAFT – Counter gear | 4.428 |
| 9. | SYNCHRONISER ASSY. – 1st & 2nd | 4.380 | 23. | SLINGER | 4.374 |
| 10. | RING – Blocking | 4.383 | 24. | SHAFT – Reverse idler gear | 4.433 |
| 11. | GEAR – 1st speed | 4.418 | 25. | WASHER – Reverse idler gear thrust..... | 4.432 |
| 12. | SLEEVE – 1st speed gear | 4.418 | 26. | GEAR – Reverse idler, front | 4.430 |
| 13. | GEAR – Reverse | 4.418 | | | |



**TRANSMISSION ASSEMBLY, FOUR SPEED MANUAL CONTROL, CONSOLE SHIFT
350 CU. IN. ENGINES**

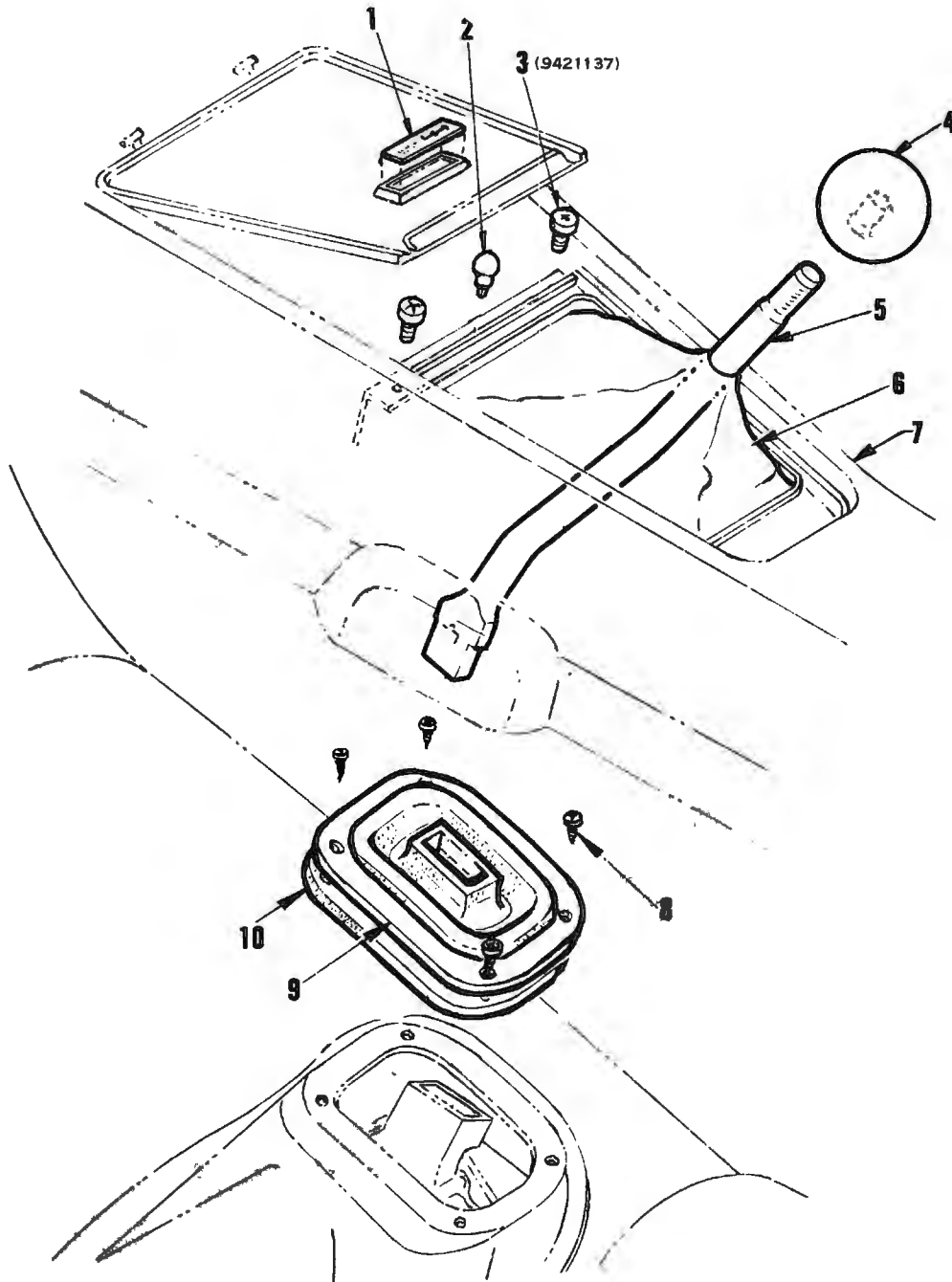
ILLUSTRATION OPPOSITE

| ILLUS. REF. NO. | PART NAME | PART NO. | QTY. | GROUP | ILLUS. REF. NO. | PART NAME | PART NO. | QTY. | GROUP |
|--------------------|---|----------|------|-------|--------------------|------------------------------------|-----------|------|-------|
| 1. | RETAINER | 3915020 | 1 | 4.356 | 38. | GEAR — Rear | 3831764 | 1 | 4.430 |
| 2. | GASKET | 3915019 | 1 | 4.358 | 39. | WASHER — Rear thrust | 3774909 | 1 | 4.432 |
| 3. | NUT | 591150 | 1 | 4.357 | 40. | SHAFT — | 3831761 | 1 | 4.433 |
| 4. | RING | 2830050 | 1 | 4.376 | 41. | PIN | 456722 | 1 | 8.939 |
| 5. | BEARING ASSEMBLY | 907572 | 1 | 4.355 | 42. | PIN | 103565 | 1 | 8.940 |
| 6. | CASE ASSEMBLY | 3925659 | 1 | 4.103 | 43. | SEAL | 3831716 | 1 | 4.309 |
| 7. | GASKET — Rear bearing retainer front | 3911900 | 1 | 4.318 | 44. | FORK — Reverse | 3832786 | 1 | 4.303 |
| 8a. | SLINGER | 3925692 | 1 | 4.374 | 45. | SHAFT ASSEMBLY — Reverse .. | 3950312 | 1 | 4.309 |
| 8. | GEAR & SLINGER ASSEMBLY | 3978772 | 1 | 4.351 | 46. | LEVER — Reverse | 2822004 | 1 | 4.045 |
| 9. | BEARING ASSEMBLY | 7451407 | 1 | 4.352 | 47. | BALL — Reverse shift lever detent | 453593 | 1 | 4.311 |
| 10. | RING — 3rd & 4th retaining | 3831741 | 1 | 4.383 | 48. | SPRING — Reverse detent ball | 3773017 | 1 | 4.311 |
| 11a. | SYNCHRONIZER ASSY. 3rd & 4th .. | 3924113 | 1 | 4.380 | 49. | GEAR — Driven | | | |
| 11. | SLEEVE | | | NSS | | 19 teeth | 3987919 | 1 | 4.337 |
| 12. | RING — Blocking | 3880850 | 1 | 4.383 | | 20 teeth | 3860343 | 1 | 4.337 |
| 13. | RING — Blocking | 3880850 | 1 | 4.383 | 49a. | SEAL & FITTING ASSEMBLY | 6258100 | | 4.337 |
| 14. | GEAR | 3831747 | 1 | 4.415 | 50. | RETAINER | 3708148 | 1 | 4.337 |
| 15. | SHAFT | 3978759 | 1 | 4.403 | 51. | SEAL — "O" Ring | 3708146 | 1 | 4.338 |
| 16. | GEAR | 3831746 | 1 | 4.395 | 52. | WASHER — Gear thrust | 3864860 | 2 | 4.423 |
| 17. | RING — Blocking | 3880850 | 1 | 4.383 | 53. | WASHER — Gear bearing spacer .. | 3864856 | 1 | 4.423 |
| 18. | SYNCHRONIZER ASSY. — 1st & 2nd | 3924112 | 1 | 4.380 | 54. | BEARING | 435847 | 28 | 4.422 |
| 19. | SPRING | 3920775 | 4 | 4.383 | 55. | WASHER — Gear bearing spacer .. | 3864856 | 2 | 4.423 |
| 20. | HUB | | | NSS | 56. | BEARING | 435847 | 28 | 4.422 |
| 21. | KEY | 3915050 | 6 | 4.384 | 57. | GEAR ASSEMBLY | 3905463 | 1 | 4.421 |
| 22. | SLEEVE | | | NSS | 58. | SPACER — Counter shaft bearing .. | 3912195 | 1 | 4.423 |
| 23. | RING — Blocking | 3880850 | 1 | 4.383 | 59. | BEARING | 435847 | 28 | 4.422 |
| 24. | GEAR — 1st speed | 3849388 | 1 | 4.418 | 60. | WASHER — Gear bearing spacer .. | 3864856 | 2 | 4.423 |
| 25. | SLEEVE | 3978781 | 1 | 4.418 | 61. | BEARING | 435847 | 28 | 4.422 |
| 26. | RING | 3831749 | 1 | 4.412 | 62. | WASHER — Gear bearing spacer .. | 3864856 | 1 | 4.423 |
| 27. | BEARING | 907474 | 1 | 4.408 | 63. | WASHER — Gear thrust | 3864860 | 1 | 4.423 |
| 28. | RETAINER | 3831752 | 1 | 4.317 | 64. | SHAFT | 3864850 | 1 | 4.428 |
| 29. | RING — Retaining .087" thick | 3831758 | 1 | 4.412 | 65. | GASKET | 3831705 | 1 | 4.109 |
| | .090" thick | 3831757 | 1 | 4.412 | 66. | RING — Detent cam | 274560 | 1 | 4.311 |
| | .093" thick | 3831756 | 1 | 4.412 | 67. | FORK — 1st & 2nd, 3rd & 4th | 3831717 | 1 | 4.303 |
| | .096" thick | 3831755 | 1 | 4.412 | 68. | SHAFT ASSEMBLY — 1st & 2nd | 3952651 | 1 | 4.309 |
| 30. | GEAR — Reverse | 3831748 | 1 | 4.418 | 69. | SHAFT ASSEMBLY — 3rd & 4th | 3952651 | 1 | 4.309 |
| 31. | GEAR — Drive | 3978758 | 1 | 4.337 | 70. | CAM | 3905462 | 2 | 4.311 |
| 32. | GASKET — Rear bearing retainer rear | 3911901 | 1 | 4.318 | 71. | SPRING — Detent cam | 3853804 | 1 | 4.311 |
| 33. | HOUSING ASSEMBLY | 3978763 | 1 | 4.317 | 72. | SEAL | 3831716 | 1 | 4.309 |
| 34. | BUSHING | 3978765 | 1 | 4.317 | 73. | COVER | 3977618 | 1 | 4.105 |
| 35. | SEAL | 8625893 | | 4.317 | 74. | LEVER — 3rd & 4th speed | 2822613 | 1 | 4.045 |
| 36. | WASHER — Front thrust | 3834739 | | 4.432 | 75. | LEVER — 1st & 2nd speed | 2817717 | 1 | 4.045 |
| 37. | GEAR — Front | 3831762 | 1 | 4.430 | 76. | LOCK — Bearing retainer bolt | LH3849937 | 1 | 4.356 |
| | | | | | | | RH3849938 | 1 | 4.356 |



TRANSMISSION CONTROL LINKAGE

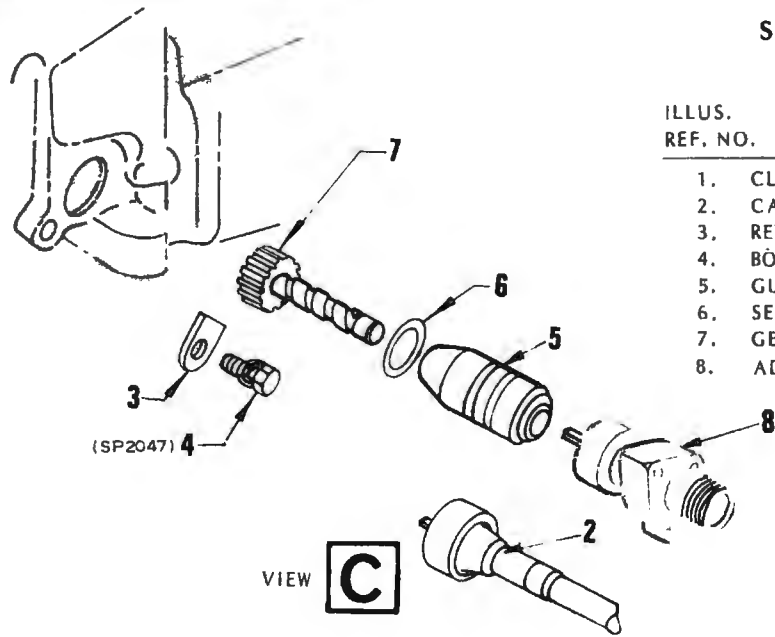
| ILLUS. REF. NO. | PART NAME | GROUP | ILLUS. REF. NO. | PART NAME | GROUP |
|-----------------|--|-------|-----------------|-------------------------------------|-------|
| 1. | SUPPORT ASSY. - Shifter to extension housing | 4.010 | 9. | NUT - Rod to trunnion | 4.035 |
| 2. | BOLT - Hexagon head | 8.900 | 10. | TRUNNION - Rod to shift lever | 4.035 |
| 3. | SWITCH ASSY. - Back-up lamp | 2.697 | 11. | ROD - 1st & 2nd speed | 4.035 |
| 4. | RETAINER | 4.035 | 12. | ROD - 3rd & 4th speed | 4.035 |
| 5. | WASHER | 4.035 | 13. | SCREW - Levers to shafts | 4.045 |
| 6. | WASHER - Flat | 8.929 | 14. | LEVER - Reverse | 4.045 |
| 7. | WASHER - Lock | 8.931 | 15. | LEVER - 1st & 2nd speed | 4.045 |
| 8. | ROD - Reverse | 4.035 | 16. | LEVER - 3rd & 4th speed | 4.045 |
| | | | 17. | SHIFTER ASSEMBLY | 4.030 |



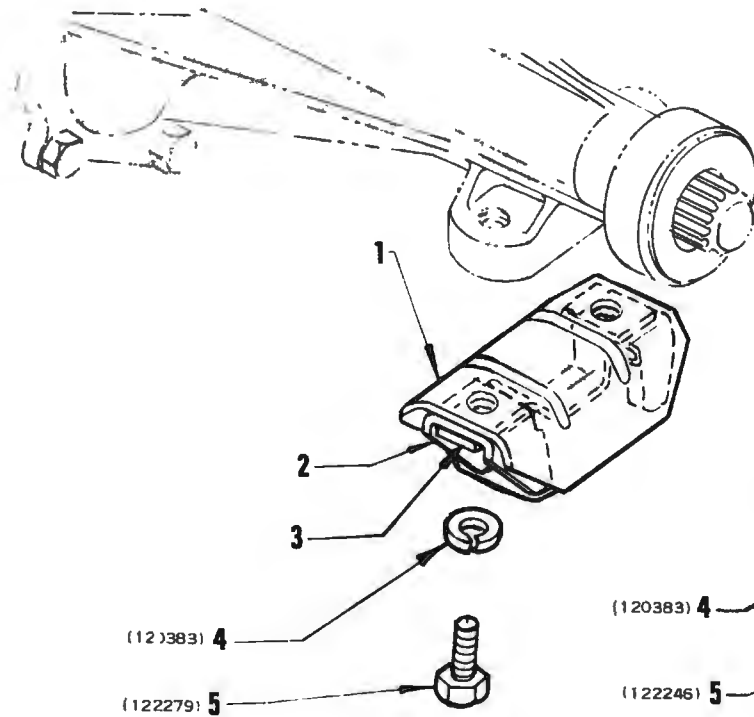
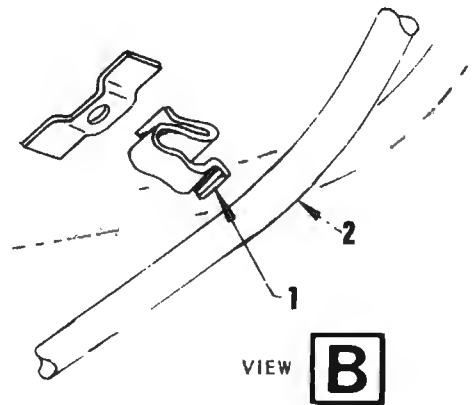
TRANSMISSION CONTROL

| ILLUS. REF. NO. | PART NAME | GROUP | ILLUS. REF. NO. | PART NAME | GROUP |
|-----------------|---|--------|-----------------|-------------------------------------|--------|
| 1. | INSERT - Manual gearshift pattern | 15.293 | 6. | BOOT - Cover | 4.015 |
| 2. | BUMPER - Console lid | 15.292 | 7. | HOUSING - Transmission console..... | 15.290 |
| 3. | SCREW - Sheet metal | 8.977 | 8. | SCREW - Retainer to floor pan | 4.015 |
| 4. | KNOB - Gearshift lever control | 4.009 | 9. | RETAINER - Floor pan boot | 4.015 |
| 5. | LEVER - Gearshift control | 4.006 | 10. | BOOT - Floor pan | 4.015 |

SPEEDOMETER GEAR AND CABLE



| ILLUS. REF. NO. | PART NAME | GROUP |
|-----------------|-----------------------------------|-------|
| 1. | CLIP - Cable to floor pan | 4.342 |
| 2. | CABLE & CASING | 4.342 |
| 3. | RETAINER - Casing drive end | 4.342 |
| 4. | BÖLT - Hexagon head | 8.900 |
| 5. | GUIDE - Speedo driven gear | 4.337 |
| 6. | SEAL - "O" Ring | 4.338 |
| 7. | GEAR - Driven | 4.337 |
| 8. | ADAPTOR - Speedo ratio | 4.337 |



TRANSMISSION MOUNTING

| ILLUS. REF. NO. | PART NAME | GROUP | ILLUS. REF. NO. | PART NAME | GROUP |
|-----------------|-------------------------------------|-------|-----------------|---|-------|
| 1. | MOUNTING ASSEMBLY | 4.081 | 4. | WASHER - Lock | 8.931 |
| 2. | ARRESTOR - Rear side mounting | 4.081 | 5. | BOLT - Hexagon head | 8.900 |
| 3. | ARRESTOR - Rear mounting | 4.081 | 6. | SPACER - Mounting to cross member | 4.081 |

"HQ" PARTS CATALOGUE

| GROUP | DESCRIPTION | MODEL | SIDE | PART No. | QTY. |
|--|---|-------|------|----------|------|
| TRANSMISSION ASSEMBLY, FOUR SPEED MANUAL CONTROL, CONSOLE SHIFT | | | | | |
| FITTED IN VEHICLES EQUIPPED WITH 350 CU. IN. ENGINES | | | | | |
| 4.003 | TRANSMISSION ASSEMBLY | | | | |
| | TRANSMISSION ASSEMBLY | ALL | | 3981709 | 1 |
| 4.006 | LEVER – Gearshift control | | | | |
| | LEVER | ALL | | 2817768 | 1 |
| 4.009 | KNOB – Gearshift control lever | | | | |
| | KNOB | ALL | | 2819975 | 1 |
| 4.010 | SUPPORT ASSEMBLY – Gearshift control shifter | | | | |
| | SUPPORT ASSEMBLY – Shifter to extension housing | ALL | | 3989410 | 1 |
| 4.015 | BOOT, RETAINER – Gearshift control | | | | |
| | BOOT – Floor pan | ALL | | 2818752 | 1 |
| | RETAINER – Floor pan boot | ALL | | 2818753 | 1 |
| | SCREW – Retainer to floor pan – Rd. hd. cr. rec. tap. No. 8 – 18 x .62" | ALL | | SP2431 | 4 |
| | BOOT – Cover | ALL | | 2817276 | 1 |
| | RETAINER – Cover boot | ALL | | 2816967 | 1 |
| | NUT – Boot to cover – Flat 1/8" "A" type | ALL | | SP1534 | 7 |
| | FERRULE – Boot | ALL | | 2818652 | 1 |
| | 'O' RING – Boot to ferrule | ALL | | SP2216 | 1 |
| 4.030 | SHIFTER ASSEMBLY – Transmission control | | | | |
| | SHIFTER ASSEMBLY | ALL | | 405728 | 1 |
| | BOLT – Shifter to support | ALL | | 7421647 | 1 |
| 4.035 | ROD, TRUNNION, RETAINER – Transmission shifter | | | | |
| | ROD – 1st and 2nd speed | ALL | | 2817714 | 1 |
| | TRUNNION – Rod to shift lever | ALL | | 477821 | 1 |
| | NUT – Rod to trunnion Hex. 7/8" – 20 | ALL | | 3923524 | 2 |
| | WASHER | ALL | | SP1820 | 1 |
| | RETAINER | ALL | | 3749084 | 1 |
| | ROD – 3rd and 4th speed | ALL | | 2817715 | 1 |
| | SWIVEL – Rod to shift lever | ALL | | 477721 | 1 |
| | NUT – Rod to swivel – Hex. 7/8" – 20 | ALL | | 3923524 | 2 |
| | WASHER | ALL | | SP1820 | 1 |
| | RETAINER | ALL | | 3749084 | 1 |
| | ROD – Reverse | ALL | | 2817716 | 1 |
| | TRUNNION – Rod to shift lever | ALL | | 477821 | 1 |
| | NUT – Rod to trunnion – Hex. 7/8" – 20 | ALL | | 3923524 | 2 |
| | WASHER | ALL | | SP1820 | 1 |
| | RETAINER | ALL | | 3749084 | 1 |
| 4.045 | LEVER – Transmission shifter shaft | | | | |
| | LEVER – 1st and 2nd speed | ALL | | 2817717 | 1 |
| | LEVER – 3rd and 4th speed | ALL | | 2822613 | 1 |
| | LEVER – Reverse | ALL | | 2822004 | 1 |
| | SCREW – Levers to shafts | ALL | | 3786494 | 3 |
| | WASHER | ALL | | 9419234 | 3 |
| 4.081 | MOUNTING – Transmission support | | | | |
| | MOUNTING ASSEMBLY | ALL | | 2806617 | 1 |
| | ARRESTOR – Rear mounting | ALL | | 2819856 | 1 |
| | ARRESTOR – Rear side mounting | ALL | | 2819855 | 2 |

"HQ" PARTS CATALOGUE

| GROUP | DESCRIPTION | MODEL | SIDE | PART No. | QTY. |
|--|--|--|------|----------|------|
| TRANSMISSION ASSEMBLY, FOUR SPEED MANUAL CONTROL, CONSOLE SHIFT | | | | | |
| FITTED IN VEHICLES EQUIPPED WITH 350 CU. IN. ENGINES | | | | | |
| 4.103 | CASE ASSEMBLY – Transmission | | | | |
| | CASE ASSEMBLY | ALL | | 3925659 | 1 |
| | PLUG – Transmission filler | ALL | | 3968034 | 1 |
| | PIN – Transmission cover locating – Dowel $\frac{7}{16}$ " x $\frac{3}{8}$ " | ALL | | 141149 | 1 |
| | PIN – Transmission extension dowel $\frac{1}{8}$ " x $1\frac{1}{2}$ " | ALL | | 141221 | 1 |
| 4.104 | VENT ASSEMBLY – Transmission | | | | |
| | VENT ASSEMBLY | ALL | | 3820840 | 1 |
| 4.105 | COVER – Transmission | | | | |
| | COVER | ALL | | 3977618 | 1 |
| | BOLT – Cover | ALL | | 179816 | 7 |
| 4.109 | GASKET – Transmission cover | | | | |
| | GASKET | ALL | | 3831705 | 1 |
| | PLUG – Transmission cover | ALL | | 3906448 | 1 |
| | GASKET – Plug | ALL | | 3906462 | 1 |
| 4.303 | FORK – Transmission shifter | | | | |
| | FORK – 1st and 2nd, 3rd and 4th | ALL | | 3831717 | 2 |
| | FORK – Reverse | ALL | | 3832786 | 1 |
| 4.309 | SHAFT, SEAL – Transmission shifter | | | | |
| | SHAFT ASSEMBLY – 1st and 2nd, 3rd and 4th | ALL | | 3952651 | 2 |
| | SHAFT ASSEMBLY – Reverse | ALL | | 3950312 | 1 |
| | SEAL – Shaft | ALL | | 3831716 | 3 |
| 4.311 | CAM, RING, SPRING, BALL – Transmission shift detent | | | | |
| | CAM – 1st and 2nd, 3rd and 4th speed | ALL | | 3905462 | 2 |
| | RING – Detent cam | ALL | | 274560 | 1 |
| | SPRING – Detent cam | ALL | | 3831718 | 1 |
| | BALL – Reverse shift lever detent ($\frac{3}{8}$ " dia.) | ALL | | 453593 | 1 |
| | SPRING – Reverse detent ball | ALL | | 3773017 | 1 |
| 4.317 | RETAINER, HOUSING, BUSHING, SEAL – Transmission extension | | | | |
| | RETAINER – Rear bearing | ALL | | 3831752 | 1 |
| | HOUSING ASSEMBLY | ALL | | 3978763 | 1 |
| | BUSHING | ALL | | 3978765 | 1 |
| | SEAL | ALL | | 8625893 | 1 |
| | BOLT – $\frac{3}{8}$ " – 16 x $1\frac{3}{4}$ " | ALL | | 179845 | 3 |
| | BOLT – $\frac{7}{16}$ " – 14 x $1\frac{3}{8}$ " | ALL | | 179865 | 2 |
| | BOLT – $\frac{7}{16}$ " – 14 x $2\frac{1}{2}$ " | ALL | | 179868 | 1 |
| 4.318 | GASKET – Transmission extension housing | | | | |
| | GASKET – Rear bearing retainer front | ALL | | 3911900 | 1 |
| | GASKET – Rear bearing retainer rear | ALL | | 3911901 | 1 |
| 4.337 | GEAR, SLEEVE and SEAL, ADAPTOR, RETAINER – Speedometer driven and drive | | | | |
| | GEAR – Driven – 19 teeth – Natural | 3.08 : 1 A.R. 78 x 14, 195 x 14 tyres | | 3987919 | 1 |
| | GEAR – Driven – 20 teeth – Blue | 3.08 : 1 A.R. 185 x 14, 70 x 14, 7.35 x 14 tyres | | 3860343 | 1 |
| | GEAR – Driven – 20 teeth – Blue | 3.36 : 1 A.R. 185 x 14, 70 x 14 tyres | | 3860343 | 1 |
| | GEAR – Driven – 21 teeth – Red | 3.36 : 1 A.R. 7.35 x 14, 78 x 14, 1.95 x 14 tyres | | 3860344 | 1 |
| | GEAR – Driven – 20 teeth – Blue | 3.55 : 1 A.R. 78 x 14, 195 x 14 tyres | | 3860343 | 1 |
| | GEAR – Driven – 21 teeth – Red | 3.55 : 1 A.R. 185 x 14, 70 x 14, 7.35 x 14 tyres | | 3860344 | 1 |

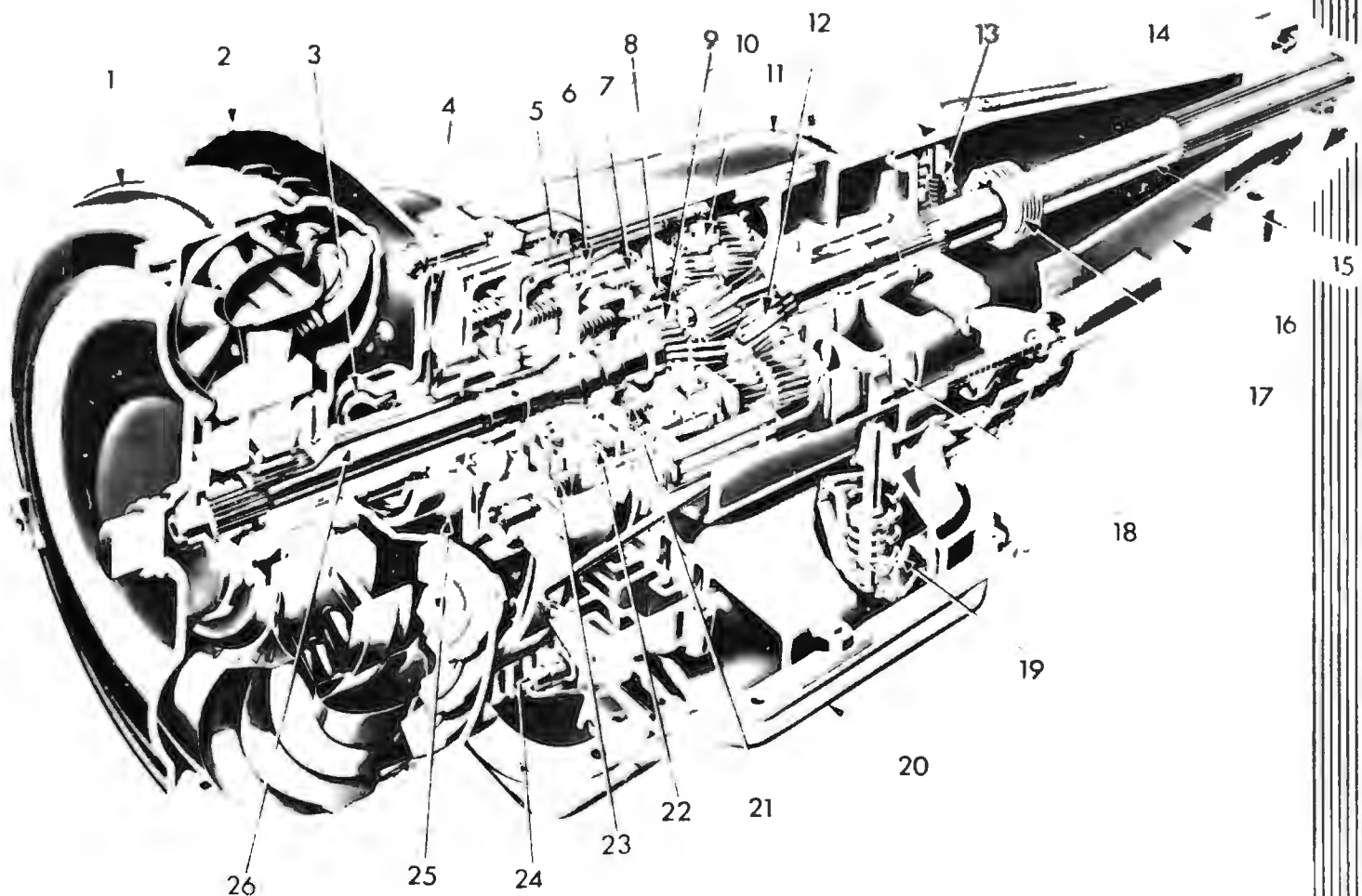
"HQ" PARTS CATALOGUE

| GROUP | DESCRIPTION | MODEL | SIDE | PART No. | QTY. |
|--|---|---|------|----------|------|
| TRANSMISSION ASSEMBLY, FOUR SPEED MANUAL CONTROL, CONSOLE SHIFT FITTED IN VEHICLES EQUIPPED WITH 350 CU. IN. ENGINES | | | | | |
| 4.337 | GEAR, SLEEVE and SEAL, ADAPTOR, RETAINER – Speedometer driven and drive (contd.) | | | | |
| | GEAR – Drive | ALL | | 3978758 | 1 |
| | GUIDE – Driven gear | ALL | | 6258100 | 1 |
| | ADAPTOR – Speedometer ratio | 3.36 : 1 A.R. 185 x 14, 70 x 14 tyres | | 7449654 | 1 |
| | ADAPTOR – Speedometer ratio | 3.55 : 1 A.R. | | 7449654 | 1 |
| | RETAINER – Driven gear sleeve | ALL | | 3708148 | 1 |
| 4.338 | SEAL – Speedometer driven gear | | | | |
| | SEAL – 'O' RING (1/16" I.D. x 3/64") | ALL | | 3708146 | 1 |
| 4.342 | CABLE and CASING – Speedometer | | | | |
| | CABLE & CASING | ALL | | 2814249 | 1 |
| | CABLE KIT | ALL | | VS11991 | |
| | CLIP – Cable to floor pan | ALL | | 7434452 | 1 |
| 4.351 | GEAR – Clutch | | | | |
| | GEAR & SLINGER ASSEMBLY | ALL | | 3978772 | 1 |
| 4.352 | BEARING ASSEMBLY – Mainshaft front | | | | |
| | BEARING ASSEMBLY | ALL | | 7451407 | 1 |
| 4.355 | BEARING ASSEMBLY – Clutch gear | | | | |
| | BEARING ASSEMBLY | ALL | | 907572 | 1 |
| 4.356 | RETAINER – Clutch gear bearing | | | | |
| | RETAINER | ALL | | 3915020 | 1 |
| | BOLT – 3/16" – 18 x 3/8" | ALL | | 186678 | 4 |
| | LOCK – Bearing retainer bolt | ALL | LH | 3849937 | 1 |
| | | | RH | 3849938 | 1 |
| 4.357 | NUT – Clutch gear bearing retainer | | | | |
| | NUT | ALL | | 591150 | 1 |
| 4.358 | GASKET – Clutch gear bearing retainer | | | | |
| | GASKET | ALL | | 3915019 | 1 |
| 4.374 | SLINGER – Clutch gear bearing oil | | | | |
| | SLINGER | ALL | | 3925692 | 1 |
| 4.376 | RING – Clutch gear bearing to transmission case | | | | |
| | RING | ALL | | 2830050 | 1 |
| 4.380 | SYNCHRONIZER ASSEMBLY – Transmission | | | | |
| | SYNCHRONIZER ASSEMBLY – 1st and 2nd speed (consists of 1 Synchronizer Assy. & 2 Blocking Rings) | ALL | | 3924112 | 1 |
| | SYNCHRONIZER ASSEMBLY – 3rd and 4th speed (consists of 1 Synchronizer Assy. & 2 Blocking Rings) | ALL | | 3924113 | 1 |
| 4.383 | SPRING, RING – Transmission synchronizer | | | | |
| | SPRING – 1st and 2nd, 3rd and 4th | ALL | | 3920775 | 4 |
| | RING – 3rd and 4th retaining | ALL | | 3831741 | 1 |
| | RING – Blocking | ALL | | 3880850 | 4 |

"HQ" PARTS CATALOGUE

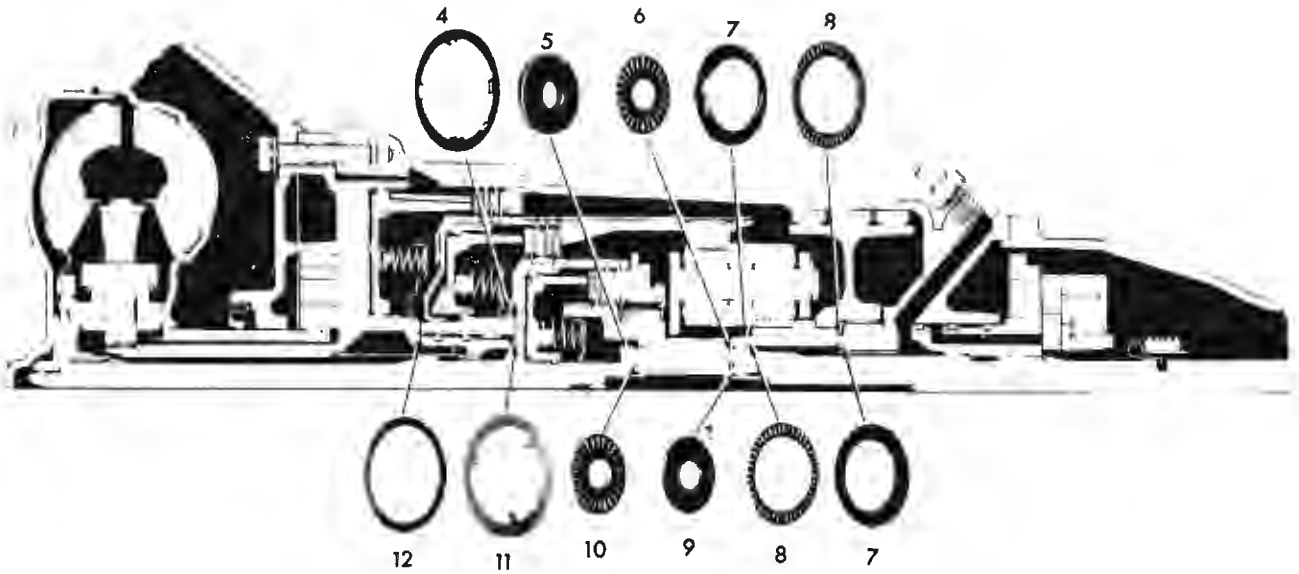
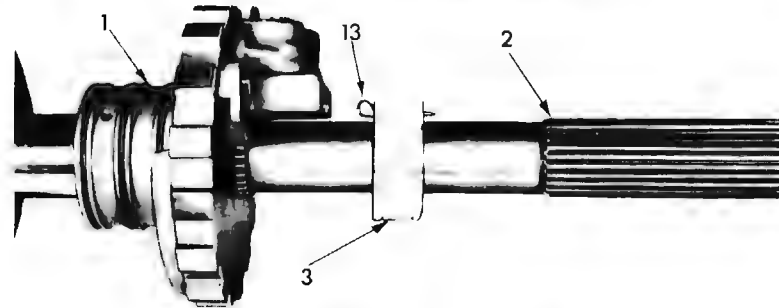
| GROUP | DESCRIPTION | MODEL | SIDE | PART No. | QTY. |
|--|---|-----------|------|----------|------|
| TRANSMISSION ASSEMBLY, FOUR SPEED MANUAL CONTROL, CONSOLE SHIFT | | | | | |
| FITTED IN VEHICLES EQUIPPED WITH 350 CU. IN. ENGINES | | | | | |
| 4.384 | KEY — Transmission synchronizer | | | | |
| | KEY | ALL | | 3915050 | 6 |
| 4.395 | GEAR — Second speed | | | | |
| | GEAR — 30 teeth | ALL | | 3831746 | 1 |
| 4.403 | SHAFT — Transmission main | | | | |
| | SHAFT | ALL | | 3978759 | 1 |
| 4.408 | BEARING ASSEMBLY — Mainshaft rear | | | | |
| | BEARING ASSEMBLY | ALL | | 907474 | 1 |
| 4.412 | RING — Transmission rear bearing | | | | |
| | RING — Locating | ALL | | 3831749 | 1 |
| | RING Retaining — .087" thick | ALL | | 3831758 | 1 |
| | RING — Retaining — .090" thick | ALL | | 3831757 | 1 |
| | RING Retaining — .093" thick | ALL | | 3831756 | 1 |
| | RING Retaining — .096" thick | ALL | | 3831755 | 1 |
| 4.415 | GEAR — Third speed | | | | |
| | GEAR 27 teeth | ALL | | 3831747 | 1 |
| 4.418 | GEAR — Mainshaft, first, reverse | | | | |
| | GEAR — 1st speed (36 teeth) | ALL | | 3849388 | 1 |
| | SLEEVE — 1st speed gear | ALL | | 3978781 | 1 |
| | GEAR — Reverse (35 teeth) | ALL | | 3831748 | 1 |
| 4.419 | SPRING — Reverse gear anti-lash | | | | |
| | SPRING | ALL | | 3890532 | 2 |
| 4.421 | GEAR — Counter | | | | |
| | GEAR ASSEMBLY | ALL | | 3905463 | 1 |
| 4.422 | BEARING — Counter gear | | | | |
| | BEARING Needle roller (3/4" long — 1/2" dia.) | ALL | | 435847 | 112 |
| 4.423 | WASHER, SPACER — Counter gear thrust | | | | |
| | WASHER — Gear thrust (1" I.D. x 1 5/16" O.D.) | ALL | | 3864860 | 2 |
| | WASHER — Gear bearing spacer (1" I.D. x 1 7/16" O.D.) | ALL | | 3864856 | 6 |
| | SPACER — Countershaft bearing | ALL | | 3912195 | 1 |
| 4.428 | SHAFT — Counter gear | | | | |
| | SHAFT | ALL | | 3864850 | 1 |
| 4.430 | GEAR — Reverse idler | | | | |
| | GEAR — Front (18 teeth) | ALL | | 3831762 | 1 |
| | GEAR — Rear (17 teeth) | ALL | | 3831764 | 1 |
| 4.432 | WASHER — Reverse idler gear thrust | | | | |
| | WASHER — Front thrust | ALL | | 3834739 | 1 |
| | WASHER — Rear thrust (1 1/8" O.D.) | ALL | | 3774909 | 1 |
| 4.433 | SHAFT — Reverse idler gear | | | | |
| | SHAFT | ALL | | 3831761 | 1 |
| | PIN — Idler shaft lock — Dowel 1/4" x 1 1/2" | ALL | | 456722 | 1 |

TRANSMISSION



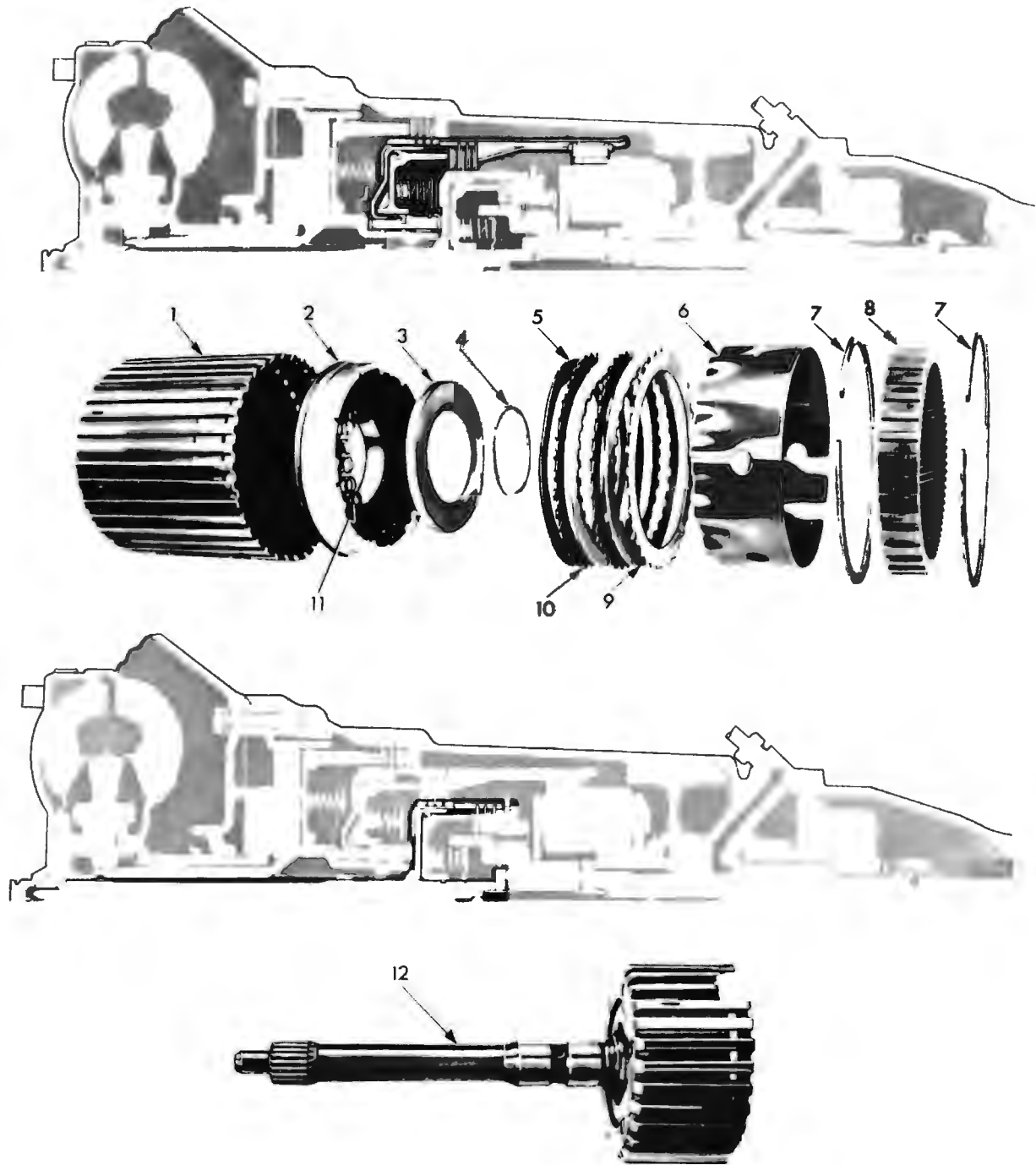
TRANSMISSION ASSEMBLY
(Automatic 3 speed)

| ILLUS. REF. NO. | PART NAME | GROUP | ILLUS. REF. NO. | PART NAME | GROUP |
|-----------------|--|-------|-----------------|---------------------------------------|-------|
| 1. | CONVERTER ASSY. | 4.156 | 14. | SEAL - Rear bearing housing | 4.317 |
| 2. | HOUSING - Converter | 0.683 | 15. | CARRIER ASSY. - Planet | 4.177 |
| 3. | SEAL - Converter housing | 0.683 | 16. | HOUSING - Rear bearing | 4.317 |
| 4. | PLATE - Wear | 4.226 | 17. | GEAR - Speedo drive | 4.337 |
| 5. | PLATE - Reverse clutch | 4.163 | 18. | BAND ASSY. - Reaction | 4.251 |
| 6. | PLATE - 2nd clutch | 4.163 | 19. | PISTON - Servo | 4.228 |
| 7. | PLATE - 3rd clutch | 4.163 | 20. | PAN - Transmission oil | 4.195 |
| 8. | SPRAG ASSY. | 4.158 | 21. | SPRING - 3rd clutch piston | 4.164 |
| 9. | GEAR ASSY. - Input sun | 4.177 | 22. | SPRING - 2nd clutch piston | 4.164 |
| 10. | GEAR - Ring | 4.197 | 23. | SPRING - Reverse clutch piston | 4.164 |
| 11. | CASE - Transmission | 4.103 | 24. | VALVE - Manual | 4.265 |
| 12. | GEAR & DRUM ASSY. - Reaction sun | 4.177 | 25. | PUMP ASSY. - Oil | 4.266 |
| 13. | GOVERNOR | 4.256 | 26. | DRUM & INPUT SHAFT - 3rd clutch | 4.153 |



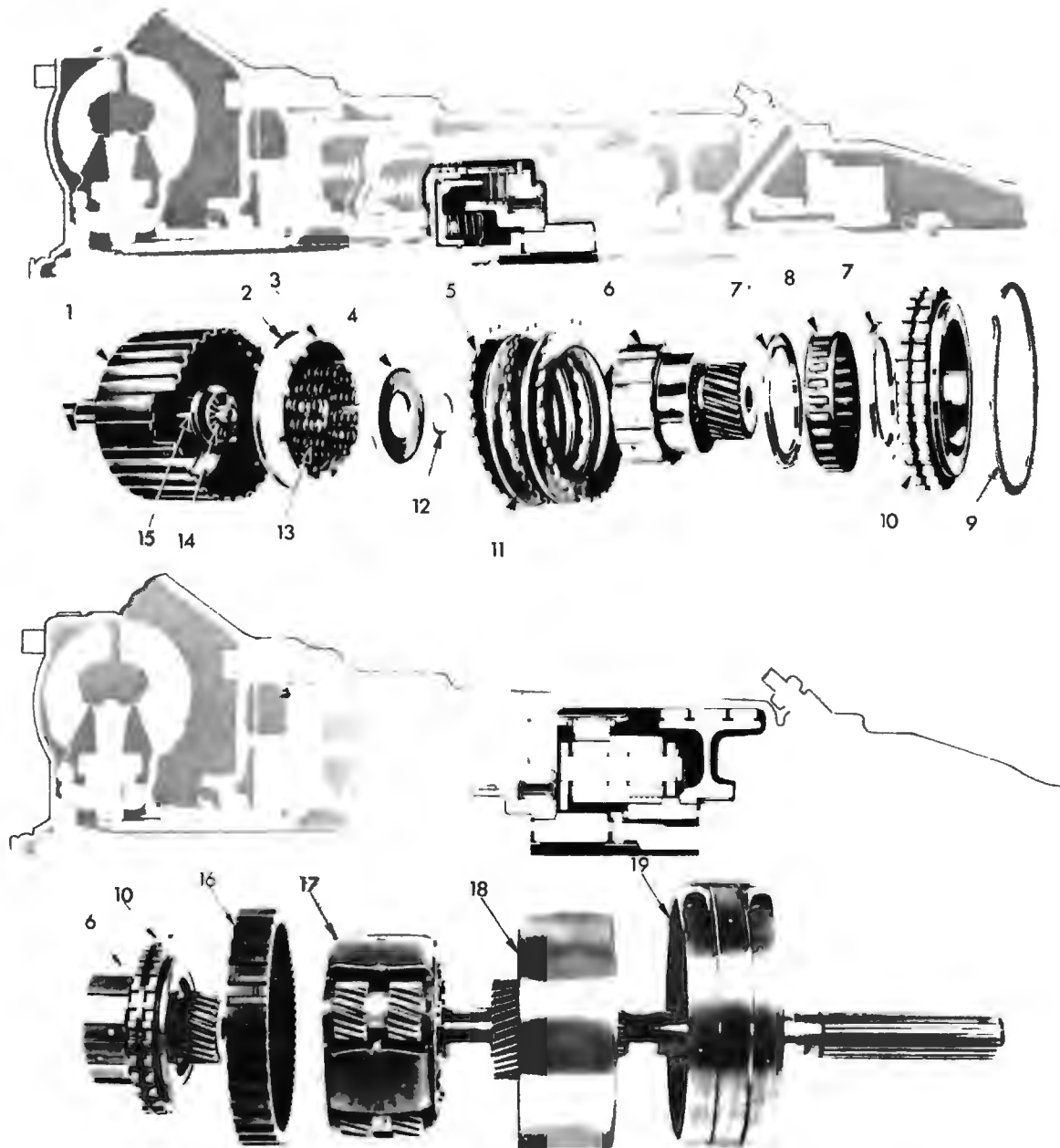
TRANSMISSION ASSEMBLY
(Automatic 3 speed)

| ILLUS. REF. NO. | PART NAME | GROUP | ILLUS. REF. NO. | PART NAME | GROUP |
|-----------------|--|-------|-----------------|--|-------|
| 1. | GOVERNOR ASSY. | 4.256 | 9. | WASHER - Sun gear to carrier assy. | 4.177 |
| 2. | CARRIER ASSY. - Planet | 4.177 | 10. | BEARING - Input shaft to sun gear thrust | 4.177 |
| 3. | GEAR - Speedometer drive | 4.337 | 11. | WASHER - 2nd & 3rd clutch thrust (Steel) | 4.129 |
| 4. | WASHER - 2nd & 3rd clutch thrust (Bronze) | 4.129 | 12. | WASHER - Clutch thrust | 4.129 |
| 5. | WASHER - Input shaft to sun gear thrust | 4.177 | 13. | CLIP - Speedometer drive gear | 4.338 |
| 6. | BEARING - Sun gear to carrier assy. .. | 4.177 | | | |
| 7. | RACE - Reaction sun gear bearing | 4.129 | | | |
| 8. | BEARING - Reaction sun gear | 4.177 | | | |



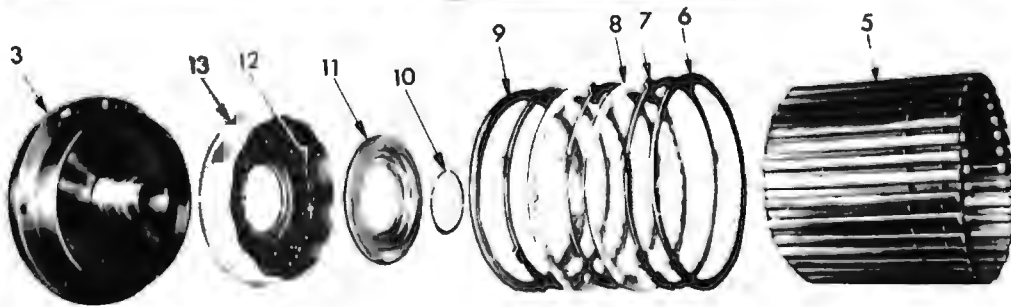
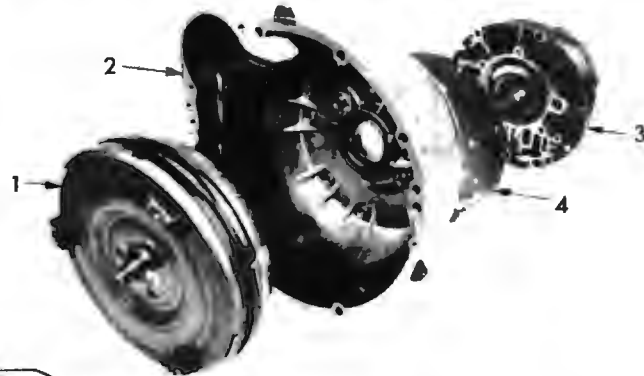
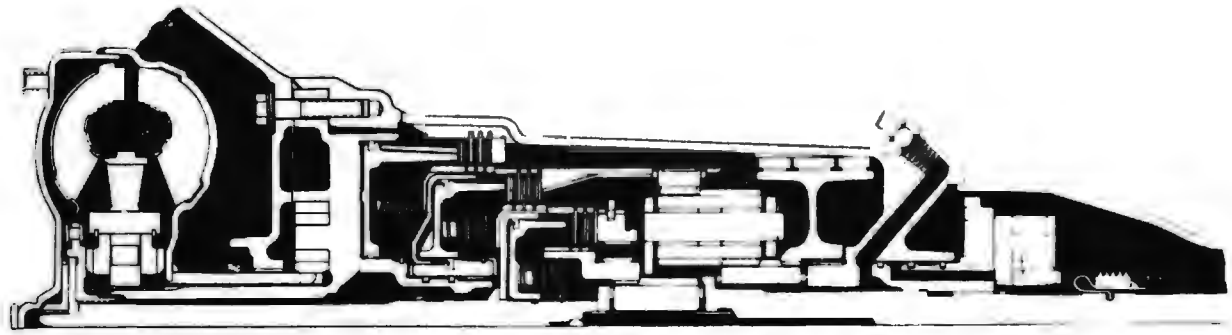
**TRANSMISSION ASSEMBLY
(Automatic 3 speed)**

| ILLUS. REF. NO. | PART NAME | GROUP | ILLUS. REF. NO. | PART NAME | GROUP |
|--------------------|--|-------|--------------------|--------------------------------------|-------|
| 1. | DRUM - 2nd clutch | 4.158 | 8. | GEAR - Ring | 4.187 |
| 2. | PISTON ASSY. - 2nd clutch | 4.166 | 9. | PLATE - 2nd clutch drive | 4.163 |
| 3. | SEAT - 2nd clutch piston | 4.165 | 10. | PLATE - 2nd clutch driven | 4.163 |
| 4. | RING - 2nd clutch piston seat retainer.. | 4.128 | 11. | SPRING - 2nd clutch piston | 4.164 |
| 5. | PLATE - 2nd clutch cushion | 4.163 | 12. | DRUM & INPUT SHAFT ASSY.- 3rd clutch | 4.153 |
| 6. | SPACER - 2nd clutch plate | 4.163 | | | |
| 7. | RING - Ring gear retaining | 4.128 | | | |



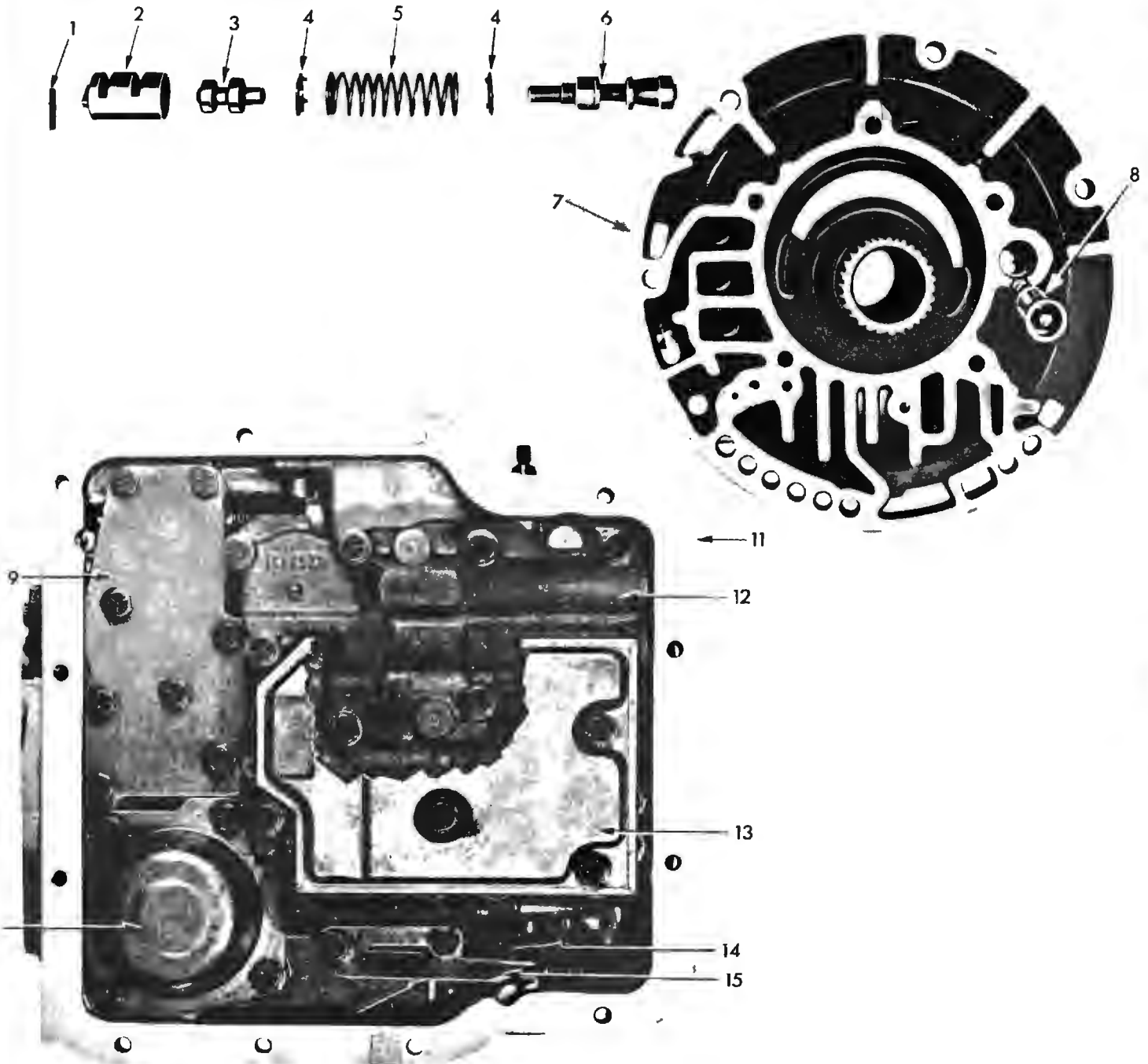
(Automatic 3 speed)

| ILLUS. REF. NO. | PART NAME | GROUP | ILLUS. REF. NO. | PART NAME | GROUP |
|-----------------|---------------------------------------|-------|-----------------|--|-------|
| 1. | DRUM & INPUT SHAFT ASSY. - 3rd clutch | 4.153 | 11. | PLATE - 3rd clutch drive | 4.163 |
| 2. | SEAL - 3rd clutch piston outer | 4.166 | 12. | RING - 3rd clutch piston spring retainer | 4.128 |
| 3. | PISTON ASSY. - 3rd clutch | 4.166 | 13. | SPRING - 3rd clutch | 4.164 |
| 4. | SEAT - 3rd clutch piston spring | 4.165 | 14. | BEARING - Input shaft to sun gear thrust | 4.177 |
| 5. | PLATE - 3rd clutch driven | 4.163 | 15. | WASHER - Input shaft to sun gear thrust | 4.177 |
| 6. | GEAR ASSY. - Input sun | 4.177 | 16. | GEAR - Ring | 4.187 |
| 7. } | SPRAG ASSY. - Input | 4.158 | 17. | CARRIER ASSY. - Planet | 4.177 |
| 8. | | | 18. | GEAR & DRUM ASSY. - Reaction | 4.177 |
| 9. | RING - 3rd clutch retainer | 4.128 | 19. | BAND ASSY. - Reaction | 4.251 |
| 10. | RACE & RETAINER ASSY. - 3rd clutch | 4.158 | | | |



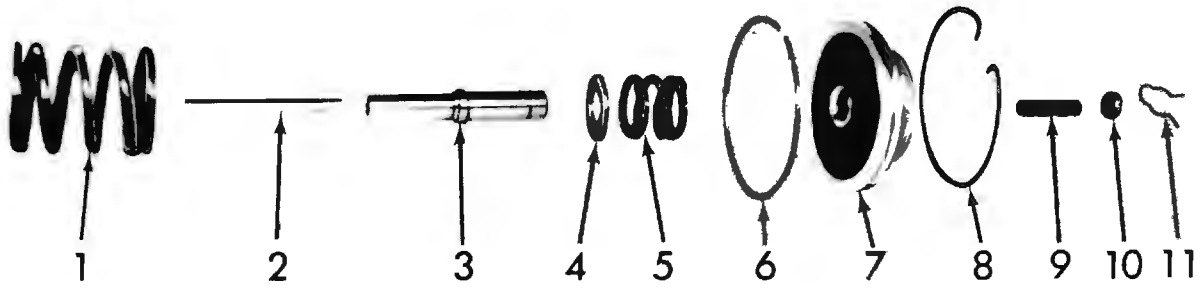
TRANSMISSION ASSEMBLY — AUTOMATIC 3 SPEED

| ILLUS. REF. NO. | PART NAME | GROUP | ILLUS. REF. NO. | PART NAME | GROUP |
|--------------------|---------------------------------------|-------|--------------------|---|-------|
| 1. | CONVERTER ASSY. | 4.156 | 8. | PLATE — Reverse clutch drive | 4.163 |
| 2. | HOUSING — Converter | 0.683 | 9. | PLATE — Reverse clutch cushion | 4.163 |
| 3. | PUMP ASSY. — Oil | 4.226 | 10. | RING — Reverse clutch piston | 4.128 |
| 4. | PLATE — Wear | 4.226 | 11. | SEAT — Reverse clutch piston return spring | 4.189 |
| 5. | DRUM ASSY. — 2nd clutch | 4.158 | 12. | SPRING — Reverse clutch piston | 4.164 |
| 6. | PLATE — Reverse clutch pressure | 4.163 | 13. | PISTON — Reverse clutch | 4.166 |
| 7. | PLATE — Reverse clutch reaction | 4.163 | | | |



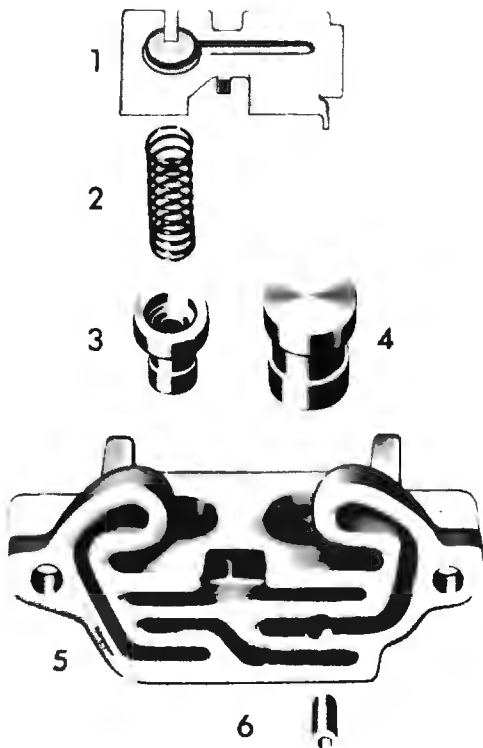
TRANSMISSION ASSEMBLY
(Automatic 3 speed)

| ILLUS. REF. NO. | PART NAME | GROUP | ILLUS. REF. NO. | PART NAME | GROUP |
|-----------------|---|-------|-----------------|---------------------------------------|-------|
| 1. | PIN - Dowel | 4.226 | 8. | VALVE - Oil pump priming | 4.226 |
| 2. | SLEEVE - Pressure regulator booster valve | 4.226 | 9. | REINFORCEMENT - Transfer plate | 4.265 |
| 3. | VALVE - Pressure regulator booster | 4.226 | 10. | COVER - Servo | 4.212 |
| 4. | SEAT - Pressure regulator valve | 4.226 | 11. | CASE - Transmission | 4.103 |
| 5. | SPRING - Pressure regulator valve | 4.226 | 12. | BODY ASSY - Valve | 4.265 |
| 6. | VALVE - Pressure regulator | 4.226 | 13. | SCREEN ASSY. - Oil pump suction | 4.224 |
| 7. | PUMP ASSY. - Oil | 4.226 | 14. | LINK - Manual valve lever | 4.265 |
| | | | 15. | ROLLER & SPRING ASSY. - Detent | 4.279 |



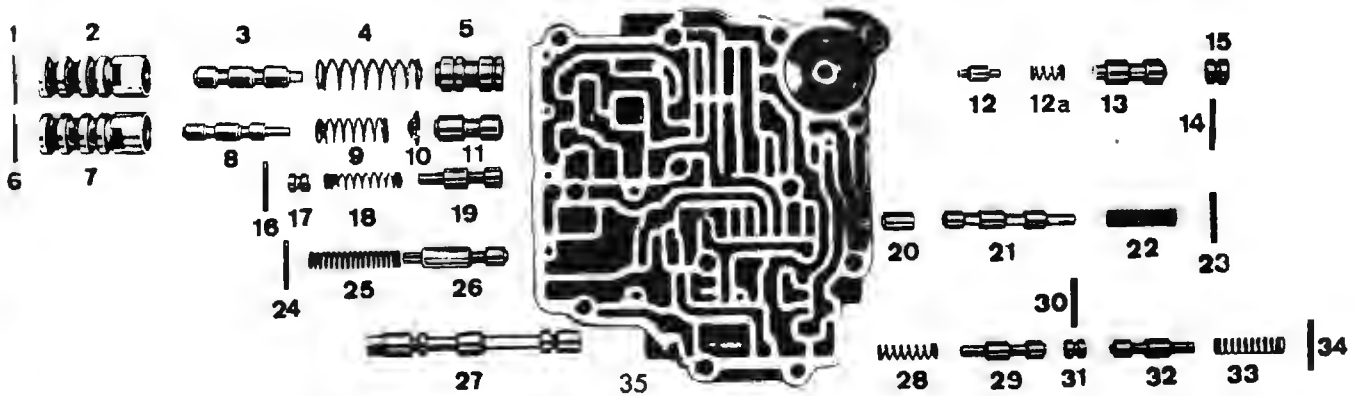
SERVO ASSEMBLY

| ILLUS. REF. NO. | PART NAME | GROUP | ILLUS. REF. NO. | PART NAME | GROUP |
|-----------------|-------------------------------------|-------|-----------------|----------------------------|-------|
| 1. | SPRING – Servo piston return | 4.233 | | | |
| 2. | ROD – Servo piston apply | 4.230 | 3. | | |
| 5. | SPRING – Servo cushion piston | 4.233 | 4. | | |
| 6. | RING – Servo piston | 4.127 | 5. | PISTON ASSY. – Servo | 4.228 |
| 8. | RING – Servo piston retainer | 4.128 | 6. | | |
| 9. | BOLT – Servo piston adjusting | 8.975 | 7. | | |
| 10. | NUT – Servo piston adjusting | 8.916 | 11. | | |
| 11. | RETAINER – Servo piston | 4.233 | | | |



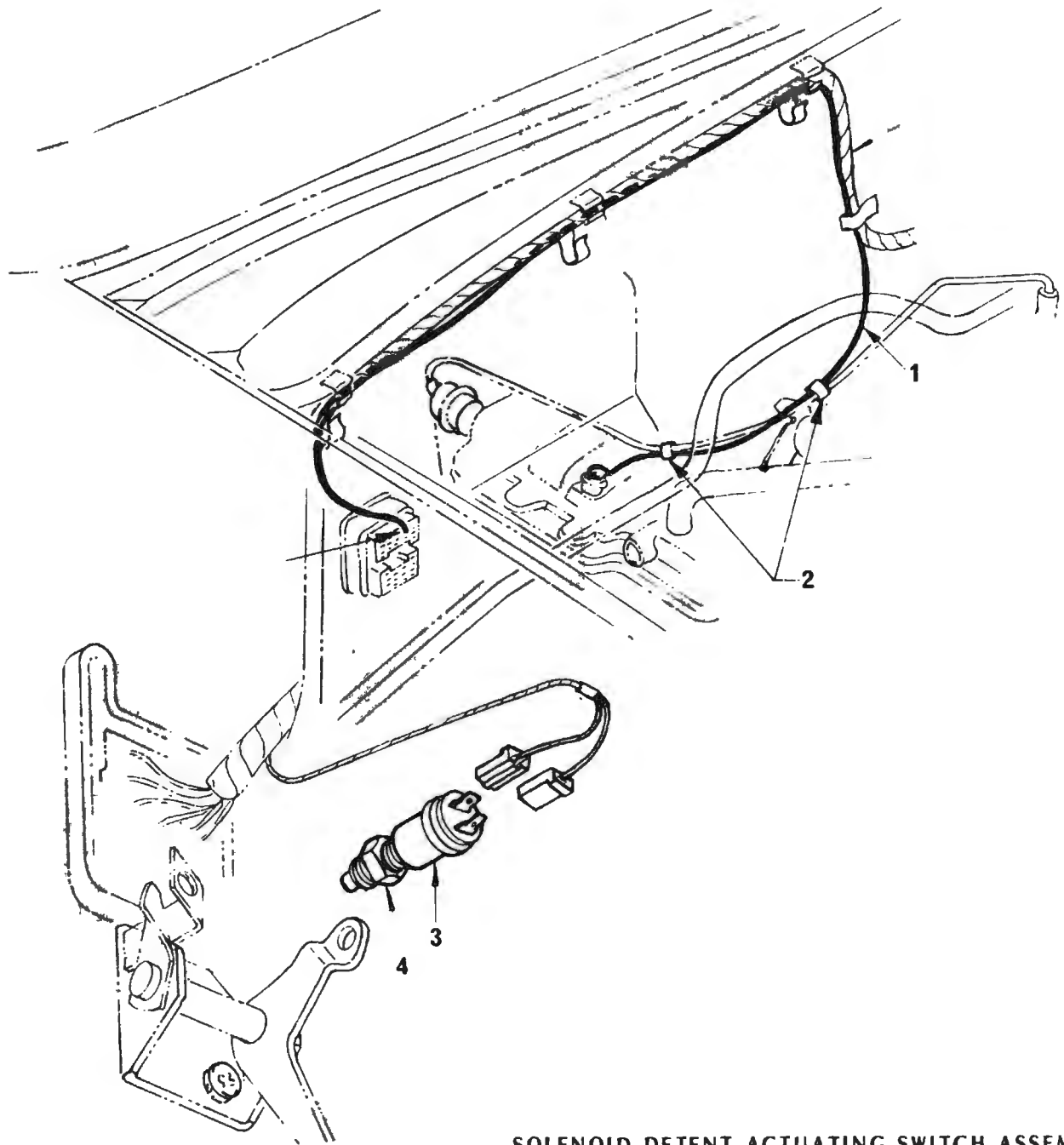
GOVERNOR ASSEMBLY

| ILLUS. REF. NO. | PART NAME | GROUP |
|-----------------|---|-------|
| 1. | RETAINER – Secondary valve spring | 4.256 |
| 2. | SPRING – Secondary valve | 4.256 |
| 3. | VALVE – Secondary | 4.256 |
| 4. | VALVE – Primary | 4.256 |
| 5. | BODY – Valve | 4.256 |
| 6. | PIN – Primary valve retainer | 4.256 |



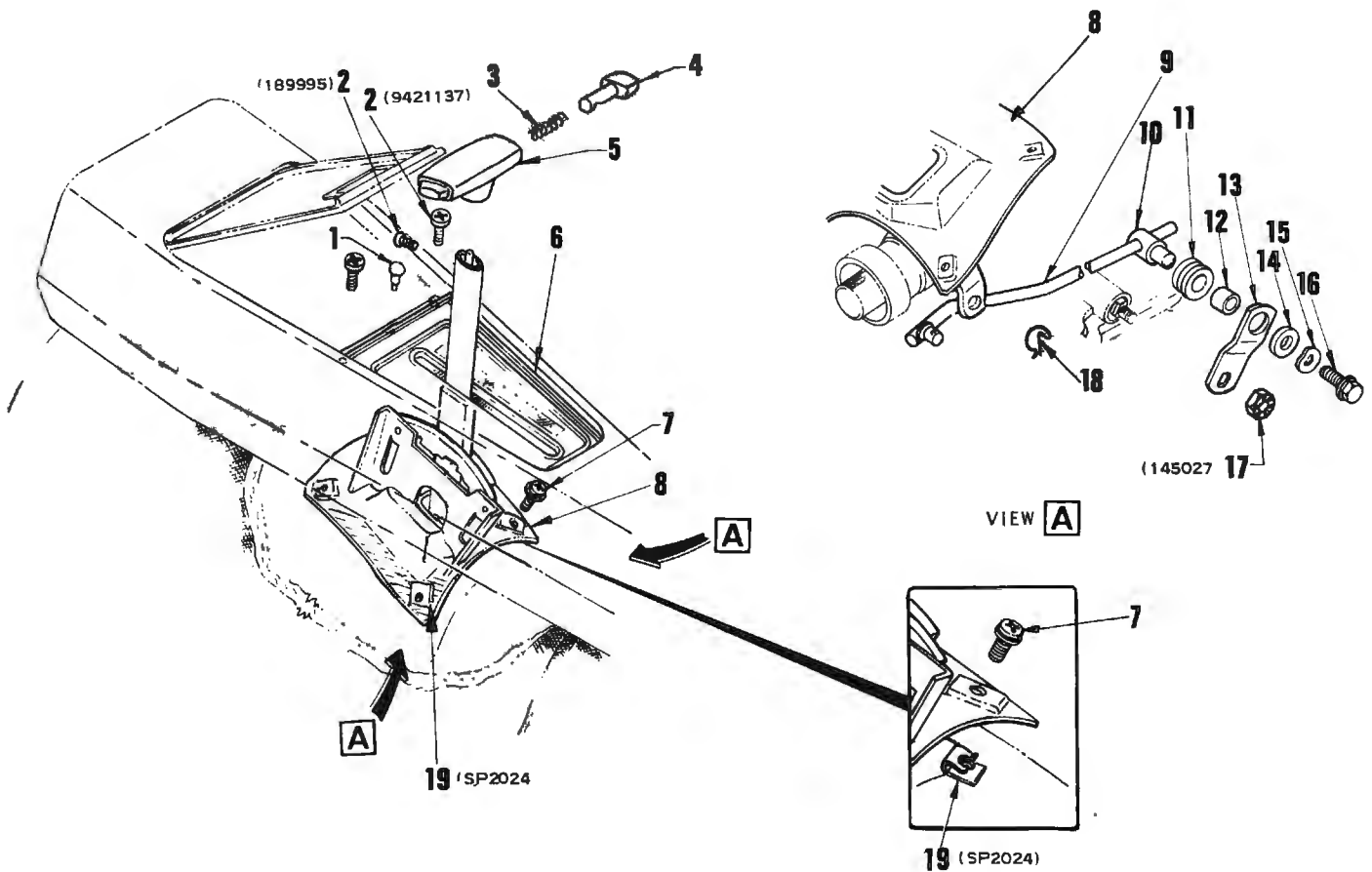
VALVE BODY

| ILLUS. REF. NO. | PART NAME | GROUP | ILLUS. REF. NO. | PART NAME | GROUP |
|-----------------|---|-------|-----------------|---|-------|
| 1. | PIN - Spring | 4.265 | 20. | VALVE - Reverse control | 4.265 |
| 2. | SLEEVE - 1st & 2nd shift control valve .. | 4.265 | 21. | VALVE - Manual low control | 4.265 |
| 3. | VALVE - 1st & 2nd shift control | 4.265 | 22. | SPRING - Manual low & reverse control valve | 4.265 |
| 4. | SPRING - 1st & 2nd shift control valve .. | 4.265 | 23. | PIN - Spring | 4.265 |
| 5. | VALVE - 1st & 2nd shift | 4.265 | 24. | PIN - Spring | 4.265 |
| 6. | PIN - Spring | 4.265 | 25. | SPRING - Detent pressure regulator valve | 4.265 |
| 7. | SLEEVE - 2nd & 3rd shift control valve .. | 4.265 | 26. | VALVE - Detent pressure regulator | 4.265 |
| 8. | VALVE - 2nd & 3rd shift control | 4.265 | 27. | VALVE - Manual | 4.265 |
| 9. | SPRING - 2nd & 3rd shift control valve .. | 4.265 | 28. | SPRING - Low speed downshift timing valve | 4.265 |
| 10. | SEAT - 2nd & 3rd shift control valve spring | 4.265 | 29. | VALVE - Low speed downshift timing .. | 4.265 |
| 11. | VALVE - 2nd & 3rd shift | 4.265 | 30. | PIN - Spring | 4.265 |
| 12. | VALVE - 1st & 2nd accumulator control .. | 4.265 | 31. | PLUG - Low speed downshift timing valve | 4.265 |
| 12A. | SPRING - 1st & 2nd accumulator valve .. | 4.265 | 32. | VALVE - High speed downshift timing .. | 4.265 |
| 13. | VALVE - 1st & 2nd accumulator | 4.265 | 33. | SPRING - High speed downshift timing valve | 4.265 |
| 14. | PIN - 1st & 2nd accumulator valve retaining | 4.265 | 34. | PIN - Spring | 4.265 |
| 15. | PLUG - 1st & 2nd accumulator valve ... | 4.265 | 35. | BODY - Valve | 4.265 |
| 16. | PIN - Spring | 4.265 | | | |
| 17. | PLUG - 3rd to 2nd control valve | 4.265 | | | |
| 18. | SPRING - 3rd to 2nd control valve | 4.265 | | | |
| 19. | VALVE - 3rd to 2nd control | 4.265 | | | |



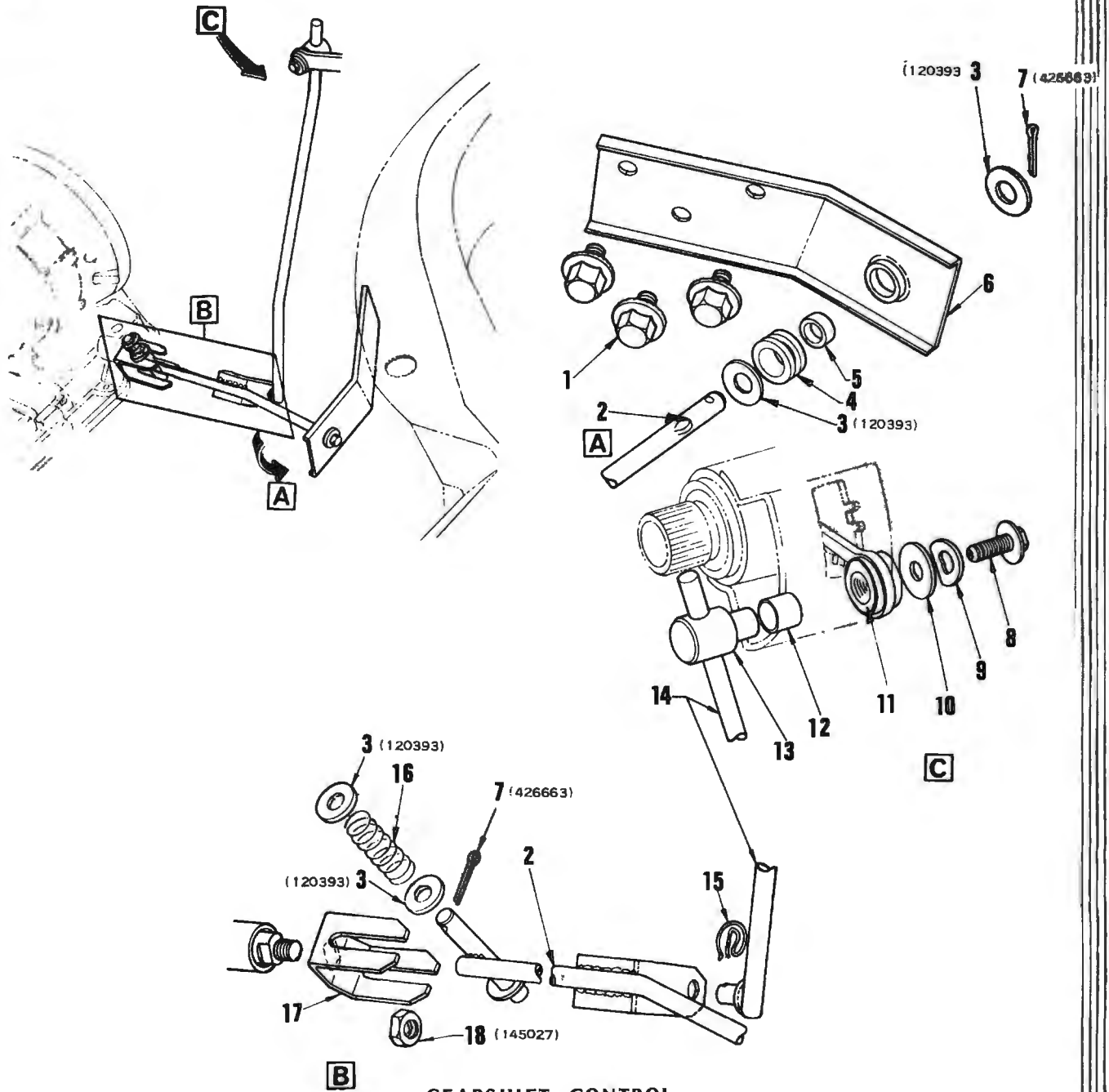
SOLENOID DETENT ACTUATING SWITCH ASSEMBLY

| ILLUS. REF. NO. | PART NAME | GROUP | ILLUS. REF. NO. | PART NAME | GROUP |
|--------------------|---|-------|--------------------|--|-------|
| 1. | WIRE ASSY.— Solenoid actuating switch to dash connector | 4.055 | 3. | SWITCH ASSY. — Solenoid detent actuating | 4.054 |
| 2. | CLIP — Solenoid switch wire to modulator pipe | 4.055 | 4. | NUT — Solenoid switch to accelerator bracket | 4.054 |



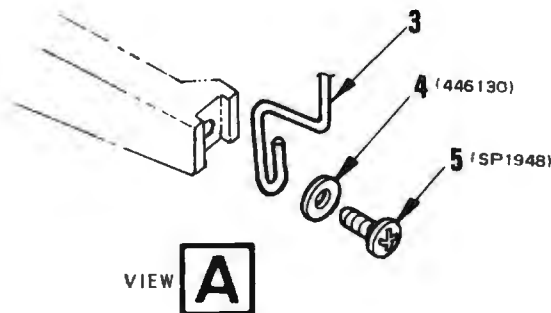
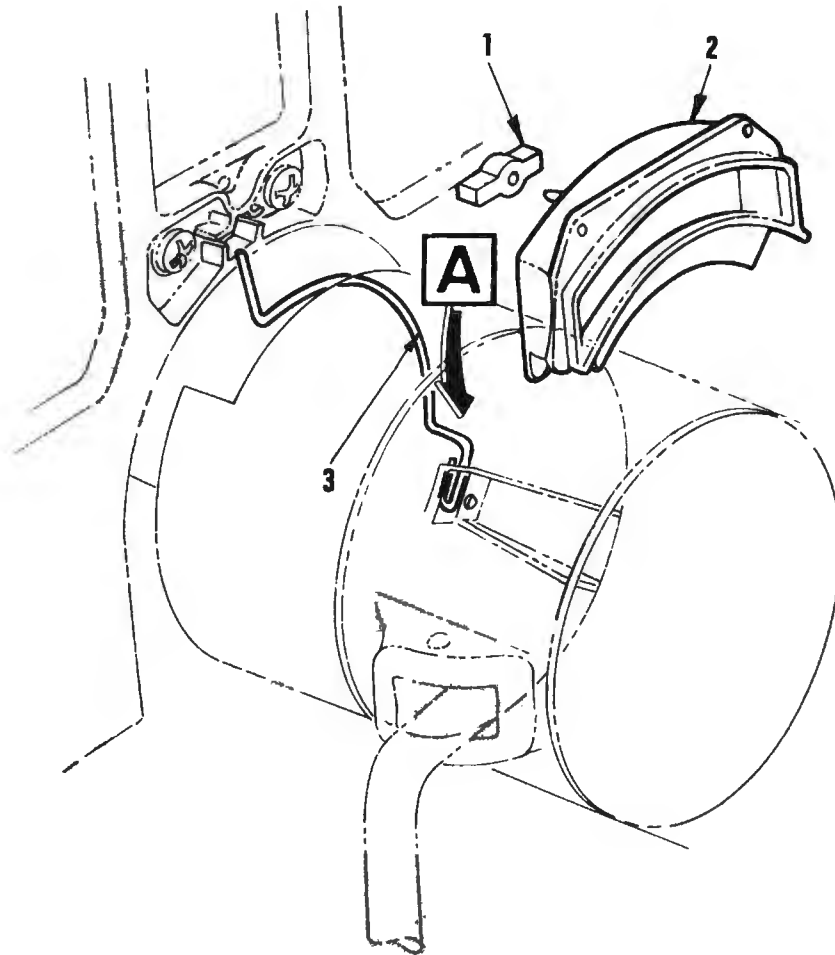
**GEARSHIFT CONTROL
(CONSOLE SHIFT)**

| ILLUS. REF. NO. | PART NAME | GROUP | ILLUS. REF. NO. | PART NAME | GROUP |
|-----------------|----------------------------|--------|-----------------|-------------------------------------|-------|
| 1. | BUMPER – Console lid | 15.292 | 11. | INSULATOR | 4.040 |
| 2. | SCREW – Sheet metal | 8.977 | 12. | SLEEVE | 4.040 |
| 3. | SPRING | 4.009 | 13. | LEVER | 4.041 |
| 4. | BUTTON | 4.009 | 14. | WASHER | 4.040 |
| 5. | HANDLE | 4.009 | 15. | WASHER – Spring | 4.040 |
| 6. | COVER – Auto | 15.293 | 16. | SCREW – Rod clamp | 4.040 |
| 7. | BOLT – Hexagon head | 4.010 | 17. | NUT – Hexagon self locking | 8.918 |
| 8. | LEVER & SUPPORT | 4.006 | 18. | RETAINER – Rod to lower lever | 4.040 |
| 9. | ROD ASSEMBLY | 4.040 | 19. | NUT – Stamped | 8.921 |
| 10. | TRUNNION | 4.040 | | | |



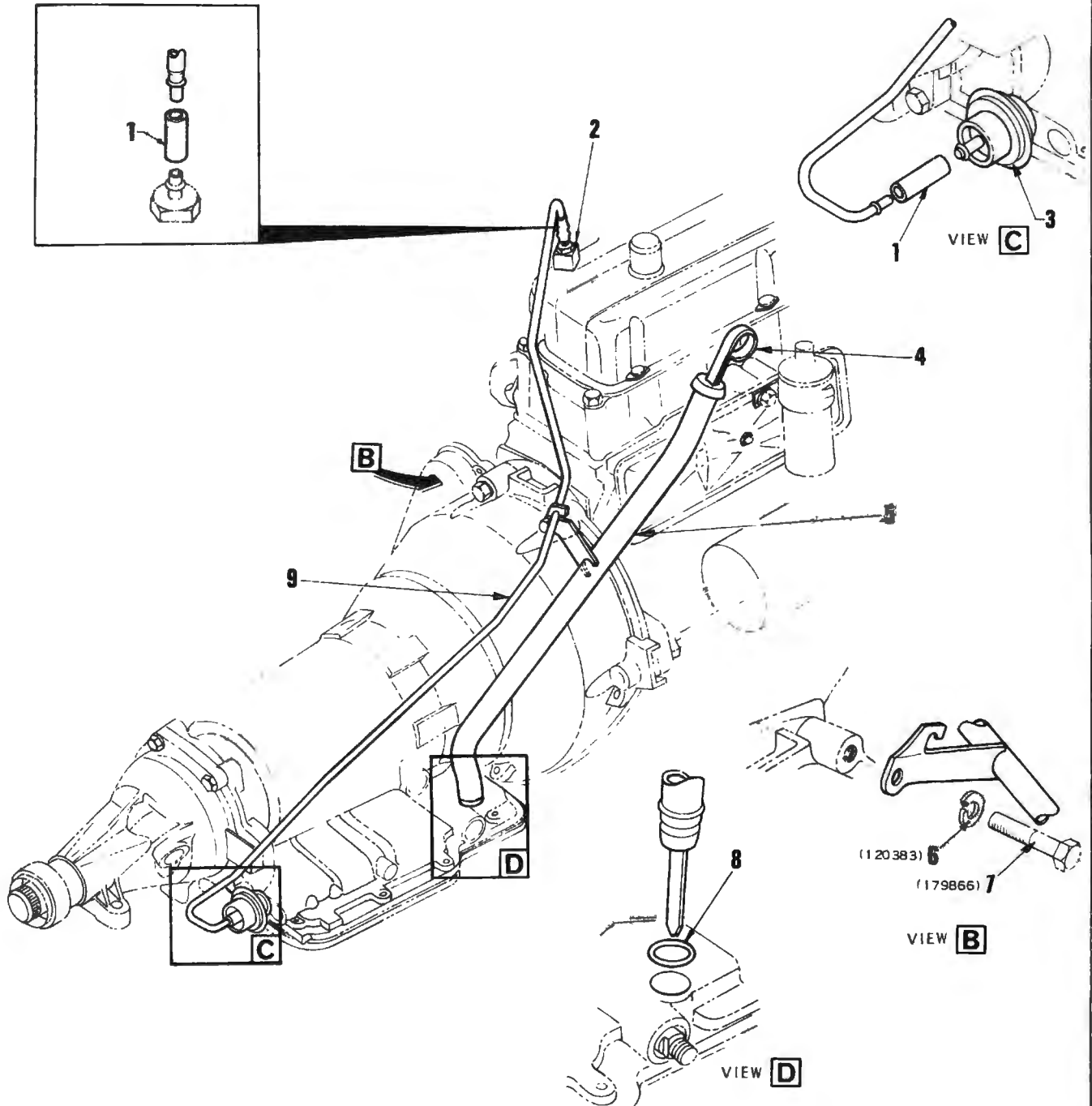
**GEARSHIFT CONTROL
(COLUMN SHIFT)**

| ILLUS. REF. NO. | PART NAME | GROUP | ILLUS. REF. NO. | PART NAME | GROUP |
|-----------------|---|-------|-----------------|-------------------------------------|-------|
| 1. | BOLT - Cross shaft support bracket to frame | 4.040 | 10. | WASHER | 4.040 |
| 2. | SHAFT ASSEMBLY - Cross | 4.040 | 11. | INSULATOR | 4.040 |
| 3. | WASHER - Flat | 8.929 | 12. | SLEEVE - Trunnion | 4.040 |
| 4. | GROMMET - Cross shaft to bracket | 4.040 | 13. | TRUNNION | 4.040 |
| 5. | SLEEVE - Cross shaft | 4.040 | 14. | ROD ASSEMBLY | 4.040 |
| 6. | BRACKET - Cross shaft support | 4.040 | 15. | RETAINER - Rod to cross shaft | 4.040 |
| 7. | PIN - Cotter | 8.938 | 16. | SPRING - Cross shaft to lever | 4.040 |
| 8. | SCREW - Rod clamp | 4.040 | 17. | LEVER | 4.041 |
| 9. | WASHER - Spring | 4.040 | 18. | NUT - Hexagon self locking | 8.918 |



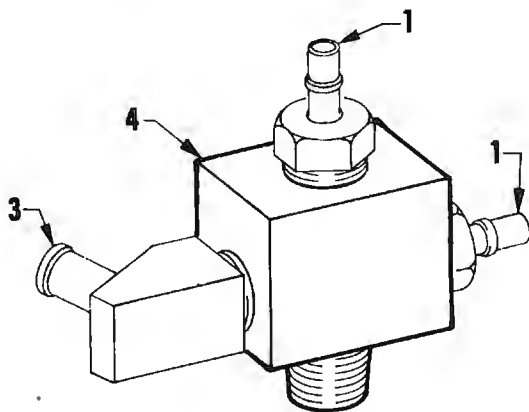
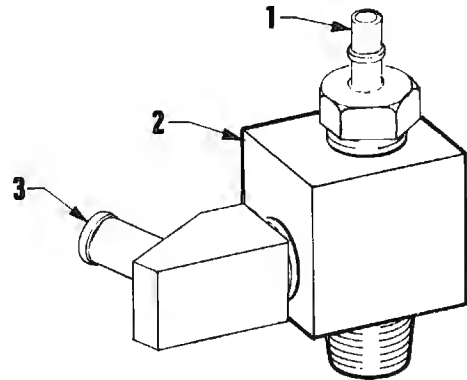
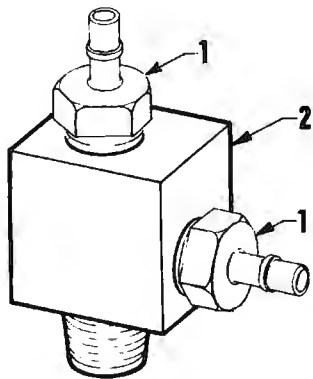
**TRANSMISSION CONTROL INDICATOR
(TRIMATIC)**

| ILLUS. REF. NO. | PART NAME | GROUP | ILLUS. REF. NO. | PART NAME | GROUP |
|--------------------|---------------------------|-------|--------------------|---------------------------|-------|
| 1. | RETAINER | 4.038 | 4. | WASHER - Flat | 8.929 |
| 2. | HOUSING & LENS ASSY. | 4.038 | 5. | SCREW - Sheet metal | 8.977 |
| 3. | POINTER | 4.038 | | | |

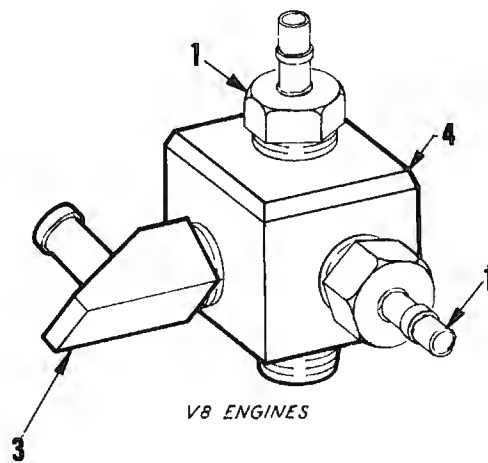


**VACUUM MODULATOR and OIL FILLER
(TRIMATIC)**

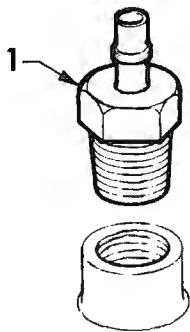
| ILLUS. REF. NO. | PART NAME | GROUP | ILLUS. REF. NO. | PART NAME | GROUP |
|--------------------|--|-------|--------------------|-------------------------------------|-------|
| 1. | SLEEVE — Modulator pipe | 4.205 | 6. | WASHER — Lock | 8.931 |
| 2. | ADAPTOR — Pipe to modulator — 2 way .. | 4.205 | 7. | BOLT — Hexagon head | 8.900 |
| 3. | MODULATOR ASSEMBLY — Vacuum | 4.265 | 8. | SEAL — 'O' Ring, tube to case | 4.133 |
| 4. | INDICATOR ASSEMBLY — Oil lever | 4.133 | 9. | PIPE | 4.205 |
| 5. | TUBE ASSEMBLY — Oil filler | 4.133 | | | |



L6 ENGINES



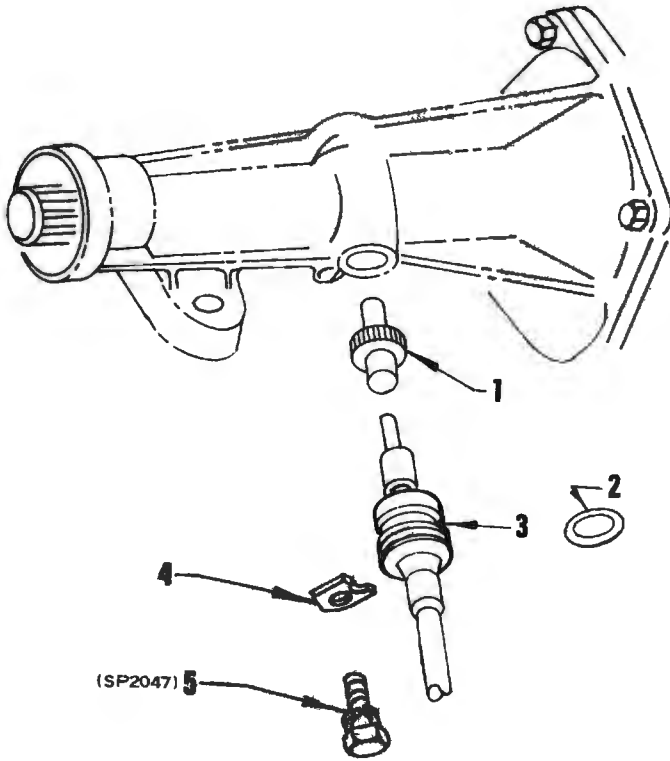
V8 ENGINES



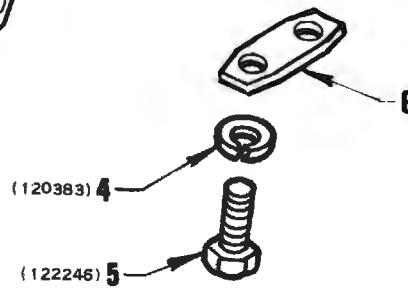
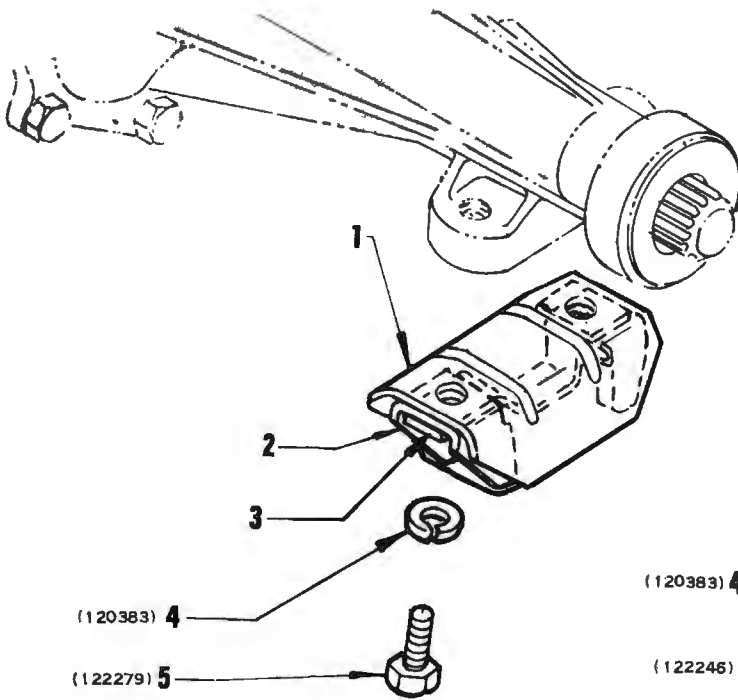
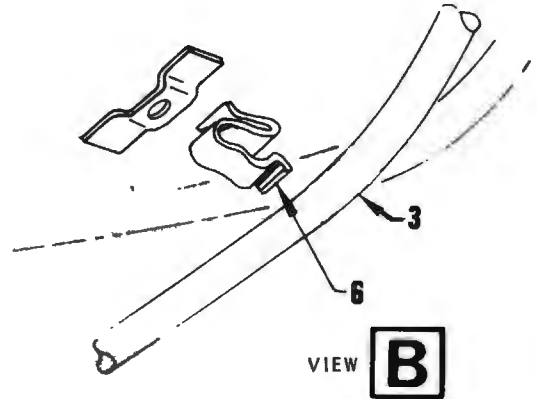
**MANIFOLD VACUUM FITTINGS
(TRIMATIC)**

| ILLUS. REF. NO. | PART NAME | PART NO. | GROUP | ILLUS. REF. NO. | PART NAME | PART NO. | GROUP |
|-----------------|-----------------------|----------|-------|-----------------|------------------------|----------|-------|
| 1. | CONNECTOR | 2819593 | 4.205 | 3. | ELBOW - Manifold | 7406788 | 4.931 |
| 2. | ADAPTOR - 2 way | 2818821 | 4.205 | 4. | ADAPTOR - 3 way | 2820582 | 4.205 |

SPEEDOMETER GEAR AND CABLE



| ILLUS. REF. NO. | PART NAME | GROUP |
|-----------------|-----------------------------------|-------|
| 1. | GEAR - Driven | 4.337 |
| 2. | SEAL - "O" Ring | 4.338 |
| 3. | CABLE & CASING | 4.342 |
| 4. | RETAINER - Casing drive end | 4.342 |
| 5. | BOLT - Hexagon head | 8.900 |
| 6. | CLIP - Cable to floor pan | 4.342 |



TRANSMISSION MOUNTING

| ILLUS. REF. NO. | PART NAME | GROUP | ILLUS. REF. NO. | PART NAME | GROUP |
|-----------------|-------------------------------------|-------|-----------------|---|-------|
| 1. | MOUNTING ASSEMBLY | 4.081 | 4. | WASHER - Lock | 8.931 |
| 2. | ARRESTOR - Rear side mounting | 4.081 | 5. | BOLT - Hexagon head | 8.900 |
| 3. | ARRESTOR - Rear mounting | 4.081 | 6. | SPACER - Mounting to cross member | 4.081 |

"HQ" PARTS CATALOGUE

| GROUP | DESCRIPTION | MODEL | SIDE | PART No. | QTY. |
|---|--|-----------------------|------|-----------|------|
| TRANSMISSION ASSEMBLY "TRI-MATIC" AUTOMATIC STEERING COLUMN SHIFT, CONSOLE SHIFT | | | | | |
| FITTED IN VEHICLES EQUIPPED WITH 173, 202, 253, 308 CU. IN. ENGINES | | | | | |
| 4.003 | TRANSMISSION ASSEMBLY | | | | |
| | TRANSMISSION ASSEMBLY | 173 Eng. | | 2817774 | 1 |
| | TRANSMISSION ASSEMBLY | 202 Eng. | | 2817779 | 1 |
| | TRANSMISSION ASSEMBLY | 253 Eng. | | 2817775 | 1 |
| | TRANSMISSION ASSEMBLY | 308 Eng. | | 2817776 | 1 |
| | BOLT & WASHER ASSEMBLY - Transmission to eng. (3/8" - 16 x 1.50") | 253, 308 Eng. | | SP2139 | 5 |
| 4.005 | GASKET SET - Transmission | | | | |
| | GASKET & SEAL SET - Minor | ALL | | 2820213 | 1 |
| | GASKET & SEAL SET - Major | ALL | | 2820214 | 1 |
| | SEAL KIT | ALL | | 2811196 | 1 |
| 4.006 | LEVER ASSEMBLY - Transmission control | | | | |
| | LEVER ASSEMBLY | Steering Column Shift | | 2815079 | 1 |
| | LEVER & SUPPORT ASSEMBLY | Console Shift | | 2817162 | 1 |
| | LEVER ASSEMBLY | Console Shift | | 2817027 | 1 |
| | PLUNGER | Console Shift | | 2817028 | 1 |
| | SPRING | Console Shift | | 2817074 | 1 |
| | DAMPER - Plunger | Console Shift | | 2822163 | 1 |
| 4.007 | TUBE ASSEMBLY - Transmission control | | | | |
| | TUBE ASSEMBLY | Steering Column Shift | | 2812257 | 1 |
| | PIN | Steering Column Shift | | 7429551 | 1 |
| 4.009 | KNOB, HANDLE, BUTTON, SPRING - Transmission control lever | | | | |
| | KNOB Trim Nos. 10A, 10B, 10C, 10E, 10G, 10H, 10M, 10N, 10R, 10S, 10T, 10U, 14M, 17A, 19C, 22A, 22B, 22E, 22R, 24A, 24B, 24E, 24R, 28E, 28H, 28M, 28N, 28R, 28S, 28U, 30A, 30B, 30E, 30G, 30H, 30M, 30N, 30R, 30T, 32A, 32B, 32E, 32R, 34A, 34B, 34E, 34G, 34M, 34N, 34R, 34T, 36E, 36G, 36R, 36T (Black) | Steering Column Shift | | 2813559BA | 1 |
| | KNOB - Trim Nos. 11A, 11B, 11E, 11G, 11M, 11N, 11R, 11S, 11T (Saddle) | Steering Column Shift | | 2813559CA | 1 |
| | KNOB - Trim Nos. 12A, 12B, 12E, 12R (Red) | Steering Column Shift | | 2813559CB | 1 |
| | KNOB Trim Nos. 14A, 14B, 14E, 14R (Blue) | Steering Column Shift | | 2813559CD | 1 |
| | KNOB - Trim Nos. 16E, 16G, 16R, 16T (Green) | Steering Column Shift | | 2813559CE | 1 |
| | KNOB - Trim Nos. 18E, 18H, 18M, 18N, 18R, 18S, 18U (Flax) | Steering Column Shift | | 2813559CH | 1 |
| | KNOB - Trim Nos. 19A, 19B, 19E, 19G, 19M, 19N, 19R, 19S, 19T, 21A, 21B, 21E, 21G, 12M, 21N, 21R, 21S, 21T (Brown) | Steering Column Shift | | 2813559CJ | 1 |
| | KNOB - Trim Nos. 35A, 35B, 35E, 35G, 35M, 35N, 35R (Ash) | Steering Column Shift | | 2813559DD | 1 |
| | KNOB - Trim Nos. 38E, 38G, 38M, 38N, 38R, 38T, 39A, 39B, 39E, 39G, 39M, 39N, 39R, 39T (Chestnut) | Steering Column Shift | | 2813559DG | 1 |
| | HANDLE | Console Shift | | 2815805 | 1 |
| | BUTTON | Console Shift | | 2815806 | 1 |
| | SPRING | Console Shift | | 2825528 | 1 |
| 4.010 | SUPPORT ASSEMBLY - Transmission control lever | | | | |
| | SUPPORT ASSEMBLY | Console Shift | | 2817163 | 1 |
| | BOLT - Support to floor | Console Shift | | 7436618 | 4 |

"HQ" PARTS CATALOGUE

| GROUP | DESCRIPTION | MODEL | SIDE | PART No. | QTY. |
|---|---|-----------------------------|------|----------|------|
| TRANSMISSION ASSEMBLY "TRI-MATIC" AUTOMATIC STEERING COLUMN SHIFT, CONSOLE SHIFT | | | | | |
| FITTED IN VEHICLES EQUIPPED WITH 173, 202, 253, 308 CU. IN. ENGINES | | | | | |
| 4.015 | BOOT – Transmission control | | | | |
| | BOOT – Lower lever | Console Shift | | 2816985 | 1 |
| | INSULATOR – Lever & support to floor | Console Shift | | 2824609 | 1 |
| 4.016 | GATE – Transmission control selector | | | | |
| | GATE | Steering Column Shift | | 2812256 | 1 |
| | GATE | Console Shift | | 2817097 | 1 |
| | STOP – Gate (Pin Spring $\frac{3}{16}$ " x 1") | Console Shift | | 455481 | 1 |
| 4.017 | SPRING – Transmission control | | | | |
| | SPRING – Lever return | Steering Column Shift | | 7439930 | 1 |
| 4.018 | SUPPORT – Transmission control | | | | |
| | SUPPORT – Control lever | Steering Column Shift | | 2816659 | 1 |
| | SPACER – Support | Steering Column Shift | | 2813557 | 1 |
| 4.038 | HOUSING ASSEMBLY, DIAL, POINTER – Transmission control indicator | | | | |
| | HOUSING & LENS ASSEMBLY | Steering Column Shift | | 2816009 | 1 |
| | RETAINER | Steering Column Shift | | 2816010 | 1 |
| | POINTER | Steering Column Shift | | 2816008 | 1 |
| | SCREW – Pointer to column support | Steering Column Shift | | SP1948 | 1 |
| | POINTER | Console Shift | | 2820283 | 1 |
| | SLIDE | Console Shift | | 2820284 | 1 |
| | DIAL | Console Shift | | 2820287 | 1 |
| | PLATE – Control cover | Console Shift | | 2820286 | 1 |
| | PLATE – Lamp mounting | Console Shift | | 2820285 | 1 |
| | BULB – 12 – 16 V. 2 C.P. S.C. | Console Shift | | 9417863 | 1 |
| 4.040 | LEVER, ROD, SHAFT, TRUNNION, INSULATOR – Transmission control | | | | |
| | TRUNNION – Rod to lever | Steering Column Shift | | 2814030 | 1 |
| | SLEEVE – Trunnion | Steering Column Shift | | 2814031 | 1 |
| | INSULATOR | Steering Column Shift | | 2814033 | 1 |
| | WASHER | Steering Column Shift | | SP2042 | 1 |
| | WASHER – Spring | Steering Column Shift | | 1367656 | 1 |
| | SCREW – Rod clamp | Steering Column Shift | | 2814032 | 1 |
| | ROD ASSEMBLY | Steering Column Shift | | 2812252 | 1 |
| | RETAINER – Rod to cross shaft | Steering Column Shift | | 3749084 | 1 |
| | SHAFT ASSEMBLY – Cross | Steering Column Shift | | 2812254 | 1 |
| | SPRING – Cross shaft to lever | Steering Column Shift | | 7448884 | 1 |
| | BRACKET – Cross shaft support | Steering Column Shift | | 2812253 | 1 |
| | SLEEVE – Cross shaft | Steering Column Shift | | 7427808 | 1 |
| | GROMMET – Cross shaft to bracket | Steering Column Shift | | 7427807 | 1 |
| | BOLT – Cross shaft support bracket to frame | Steering Column Shift | | SP2240 | 3 |
| | SHAFT | Console Shift | | 2817133 | 1 |
| | BUSH – Shaft | Console Shift | | 7438537 | 2 |
| | RETAINER – Shaft | Console Shift | | 2817218 | 1 |
| | LEVER – Lower | Console Shift | | 2817018 | 1 |
| | ROD ASSEMBLY | Console Shift | | 2817346 | 1 |
| | RETAINER – Rod to lower lever | Console Shift | | 3749084 | 1 |
| | TRUNNION | Console Shift | | 2814030 | 1 |
| | SLEEVE | Console Shift | | 2814031 | 1 |
| | INSULATOR | Console Shift | | 2814033 | 1 |
| | WASHER | Console Shift | | SP2042 | 1 |
| | WASHER – Spring | Console Shift | | 1367656 | 1 |
| | SCREW – Rod clamp | Console Shift | | 2814032 | 1 |
| 4.041 | LEVER – Transmission external control | | | | |
| | LEVER | Steering Column Shift | | 2812255 | 1 |
| | LEVER | Console Shift | | 2818195 | 1 |
| | NUT – Hex. lock $\frac{3}{8}$ " – 16 | ALL | | 145027 | 1 |

"HQ" PARTS CATALOGUE

| GROUP | DESCRIPTION | MODEL | SIDE | PART No. | QTY. |
|---|--|--|------|----------|------|
| TRANSMISSION ASSEMBLY "TRI-MATIC" AUTOMATIC STEERING COLUMN SHIFT, CONSOLE SHIFT | | | | | |
| FITTED IN VEHICLES EQUIPPED WITH 173, 202, 253, 308 CU. IN. ENGINES | | | | | |
| 4.054 | SWITCH ASSEMBLY – Neutral starting and back-up | | | | |
| | SWITCH ASSEMBLY – Neutral starting | Steering Column Shift | | 2815222 | 1 |
| | SWITCH ASSEMBLY – Neutral starting | Console Shift | | 2819807 | 1 |
| 4.054 | SWITCH ASSEMBLY – Solenoid detent actuating | | | | |
| | SWITCH ASSEMBLY – Solenoid detent actuating | ALL | | 2819605 | 1 |
| | NUT – Solenoid switch to accelerator bracket | ALL | | 858388 | 1 |
| 4.055 | WIRE ASSEMBLY – Neutral starting and back-up switch | | | | |
| | WIRE ASSEMBLY – Neutral starting & back-up | Console Shift | | 2820311 | 1 |
| | BODY – Panel connector – Short | Console Shift | | 2962448 | 1 |
| | BODY – Terminal 2 way female | Console Shift | | 2962679 | 1 |
| | BODY – Terminal 2 way panel | Console Shift | | 2962967 | 1 |
| | BODY – Terminal 2 way male | Console Shift | | 2977763 | 1 |
| | BODY – Terminal 2 way male | Console Shift | | 2973431 | 1 |
| | BODY – Terminal lamp socket | Console Shift | | 5297797 | 1 |
| | SPRING – Lamp socket | Console Shift | | 2962243 | 1 |
| 4.055 | WIRE ASSEMBLY – Solenoid actuating switch | | | | |
| | WIRE ASSEMBLY – Solenoid actuating switch to dash connector | ALL | | 2819075 | 1 |
| | CLIP – Solenoid switch wire to modulator pipe | ALL | | SP2225 | 1 |
| | CLIP – Solenoid switch wire to dash | ALL | | SP2236 | 1 |
| 4.081 | MOUNTING ASSEMBLY – Transmission support | | | | |
| | MOUNTING ASSEMBLY | ALL | | 7432236 | 1 |
| | ARRESTOR – Rear mounting | ALL | | 2819856 | 1 |
| | ARRESTOR – Rear side mounting | ALL | | 2819855 | 2 |
| | SPACER – Mounting to crossmember | 173, 202 Eng. | | 7421049 | 1 |
| | REINFORCEMENT – Mounting to crossmember | 253, 308 Eng. | | 2811364 | 1 |
| 4.103 | CASE ASSEMBLY – Transmission | | | | |
| | CASE ASSEMBLY | ALL | | 2818390 | 1 |
| | BUSHING – Case | ALL | | 5258191 | 1 |
| | SLEEVE – Reaction sun gear & drum bearing | ALL | | 5258158 | 1 |
| | PLUG – Line pressure | ALL | | 444613 | 1 |
| | PLUG – Cooler pipe access hole | ALL | | 8611710 | 1 |
| 4.104 | VENT ASSEMBLY – Transmission | | | | |
| | VENT ASSEMBLY | ALL | | 3820840 | 1 |
| 4.127 | RING – Transmission oil seal (Metal) | | | | |
| | RING KIT | ALL | | 2811197 | 1 |
| | RING – Servo piston | ALL | | 5258159 | 1 |
| | RING – Accumulator piston (1.7855" O.D. x .093") | ALL | | 8623653 | 1 |
| | RING – Oil pump to 2nd clutch oil seal | ALL | | 5258106 | 2 |
| | RING – Governor hub oil seal | ALL | | 5258100 | 3 |
| 4.128 | PIPE – Transmission oil cooler | | | | |
| | PIPE ASSEMBLY – Inlet | 173, 202 Eng. | | 2815217 | 1 |
| | PIPE ASSEMBLY – Outlet | 173, 202 Eng. exc. Air Cond., H/Duty Rad. | | 2815218 | 1 |
| | PIPE ASSEMBLY – Outlet | 173, 202 Eng. Air Cond., H/Duty Rad. | | 2815219 | 1 |
| | PIPE ASSEMBLY – Inlet | 253, 308 Eng. | | 2815220 | 1 |
| | PIPE ASSEMBLY – Outlet | 253, 308 Eng. | | 2815221 | 1 |
| | CONNECTOR – Pipes to radiator and transmission | ALL | | 145475 | 4 |
| | CLIP – Inlet to outlet pipe | ALL | | 3710497 | 3 |

"HQ" PARTS CATALOGUE

| GROUP | DESCRIPTION | MODEL | SIDE | PART No. | QTY. |
|---|--|--------------------|------|-------------------------|------|
| TRANSMISSION ASSEMBLY "TRI-MATIC" AUTOMATIC STEERING COLUMN SHIFT, CONSOLE SHIFT | | | | | |
| FITTED IN VEHICLES EQUIPPED WITH 173, 202, 253, 308 CU. IN. ENGINES | | | | | |
| 4.128 | RING – Transmission retainer and snap | | | | |
| | RING – Servo piston retainer | ALL | | 5258121 | 1 |
| | RING – Retainer front accumulator piston | ALL | | 5259667 | 1 |
| | RING – Reverse clutch piston return spring seat retainer | ALL | | 5258093 | 1 |
| | RING – 2nd clutch piston return spring seat retainer | ALL | | 5258093 | 1 |
| | RING – 3rd clutch piston return spring retainer | ALL | | 5258094 | 1 |
| | RING – 3rd clutch retainer | ALL | | 5258132 | 1 |
| | RING – Governor to output shaft retainer | ALL | | 5258116 | 1 |
| | RING – Ring gear retainer | ALL | | 8958619 | 2 |
| 4.129 | WASHER – Transmission thrust | | | | |
| | WASHER – Clutch (Yellow) .070" – .074" | ALL | | (¹¹ 5258202 | 1 |
| | WASHER – Clutch (Blue) .076" – .080" | ALL | | (¹¹ 5258203 | 1 |
| | WASHER – Clutch (Red) .081" – .085" | ALL | | (¹¹ 5258204 | 1 |
| | WASHER – Clutch (Brown) .086" – .090" | ALL | | (¹¹ 5258205 | 1 |
| | WASHER – Clutch (Green) .091" – .095" | ALL | | (¹¹ 5258206 | 1 |
| | WASHER – Clutch (Black) .097" – .101" | ALL | | (¹¹ 5258207 | 1 |
| | WASHER – 2nd & 3rd clutch (Steel) | ALL | | 5258090 | 1 |
| | WASHER – 2nd & 3rd clutch (Bronze) | ALL | | 5258091 | 1 |
| | WASHER – Reaction sun gear & drum bearing | ALL | | 5258046 | 2 |
| 4.133 | TUBE, INDICATOR, SEAL – Transmission oil | | | | |
| | TUBE ASSEMBLY – Oil filler | 173, 202 Eng. | | 2805057 | 1 |
| | TUBE ASSEMBLY – Oil filler | 253, 308 Eng. | | 7449561 | 1 |
| | INDICATOR ASSEMBLY – Oil level | 173, 202 Eng. | | 2805059 | 1 |
| | INDICATOR ASSEMBLY – Oil level | 253, 308 Eng. | | 7449562 | 1 |
| | SEAL – 'O' Ring, tube to case | ALL | | 6255641 | 1 |
| | BOLT & WASHER ASSEMBLY – Tube to engine ($\frac{3}{8}$ " – 16 x 1 $\frac{1}{2}$ ") | 253, 308 Eng. | | SP2139 | 1 |
| 4.153 | DRUM and INPUT SHAFT ASSEMBLY – 3rd clutch | | | | |
| | DRUM & INPUT SHAFT ASSEMBLY | 173, 202 Eng. | | 5258095 | 1 |
| | DRUM & INPUT SHAFT ASSEMBLY | 253, 308 Eng. | | 5258350 | 1 |
| 4.156 | CONVERTER ASSEMBLY – Transmission | | | | |
| | CONVERTER ASSEMBLY | 173, 202 Eng. | | 5258293 | 1 |
| | CONVERTER ASSEMBLY | 253, 308 Eng. | | 3850525 | 1 |
| | BOLT – Converter to drive plate (Special $\frac{3}{8}$ " – 24 x $\frac{1}{8}$ ") | ALL | | 3799830 | 3 |
| 4.158 | CLUTCH, DRUM, BUSHING, SPRAG – Transmission clutch | | | | |
| | CLUTCH ASSEMBLY – 2nd | 173, 202 Eng. | | 2816427 | 1 |
| | CLUTCH ASSEMBLY – 2nd | 253 Eng. | | 2816428 | 1 |
| | CLUTCH ASSEMBLY – 2nd | 308 Eng. | | 2820994 | 1 |
| | CLUTCH ASSEMBLY – 3rd | 173, 202 Eng. | | 2816433 | 1 |
| | CLUTCH ASSEMBLY – 3rd | 253 Eng. | | 2820995 | 1 |
| | CLUTCH ASSEMBLY – 3rd | 308 Eng. | | 2816434 | 1 |
| | DRUM ASSEMBLY – 2nd clutch | ALL | | 5258129 | 1 |
| | BUSHING – 2nd clutch hub | ALL | | 5258128 | 1 |
| | BUSHING – Reaction sun gear drum | ALL | | 2816491 | 1 |
| | SPRAG ASSEMBLY – Input | ALL | | 5258137 | 1 |
| | RACE & RETAINER ASSEMBLY – 3rd clutch input sprag | ALL | | 5258351 | 1 |

Note: (¹¹ Selective fit.

"HQ" PARTS CATALOGUE

| GROUP | DESCRIPTION | MODEL | SIDE | PART No. | QTY. |
|---|---|-------------------------|------|----------|-------|
| TRANSMISSION ASSEMBLY "TRI-MATIC" AUTOMATIC STEERING COLUMN SHIFT, CONSOLE SHIFT | | | | | |
| FITTED IN VEHICLES EQUIPPED WITH 173, 202, 253, 308 CU. IN. ENGINES | | | | | |
| 4.163 | PLATE, SPACER – Clutch | | | | |
| | PLATE ASSEMBLY – 2nd drive | ALL | | 5258025 | 4-5-6 |
| | PLATE – 2nd driven | ALL | | 5258057 | 5-6-7 |
| | PLATE – 2nd cushion | ALL | | 5258990 | 1 |
| | PLATE ASSEMBLY – 3rd drive | ALL | | 5258035 | 4-5 |
| | PLATE – 3rd driven | ALL | | 5258058 | 5-6 |
| | PLATE – Reverse drive | ALL | | 5258017 | 4-5 |
| | PLATE – Reverse reaction | ALL | | 5258019 | 5-6 |
| | PLATE – Reverse pressure | ALL | | 5258528 | 1 |
| | PLATE – Reverse cushion | ALL | | 5258989 | 1 |
| | SPACER – 2nd clutch plate | 173, 202 Eng. | | 5258284 | 1 |
| | SPACER – 2nd clutch plate | 253 Eng. | | 5258285 | 1 |
| | SPACER – 2nd clutch plate | 308 Eng. | | 2820681 | 1 |
| 4.164 | SPRING – Clutch piston return | | | | |
| | SPRING – 2nd clutch | ALL | | 5258124 | 22 |
| | SPRING – 3rd clutch | ALL | | 5258124 | 12 |
| | SPRING – Reverse clutch | ALL | | 5258124 | 24 |
| 4.165 | SEAT – Clutch piston return spring | | | | |
| | SEAT – 2nd clutch | ALL | | 5258038 | 1 |
| | SEAT – 3rd clutch | ALL | | 5258039 | 1 |
| 4.166 | PISTON, SEAL – Clutch | | | | |
| | PISTON ASSEMBLY – 2nd clutch | ALL | | 5258109 | 1 |
| | PISTON ASSEMBLY – 3rd clutch | 173, 202, 253 Eng. | | 5258112 | 1 |
| | PISTON ASSEMBLY – 3rd clutch | 308 Eng. | | 5258323 | 1 |
| | PISTON – Reverse clutch | 173, 202 Eng. | | 5258002 | 1 |
| | PISTON – Reverse clutch | 253, 308 Eng. | | 5258289 | 1 |
| | SEAL – 2nd clutch piston inner | ALL | | 5258043 | 1 |
| | SEAL – 2nd clutch piston outer | ALL | | 5258041 | 1 |
| | SEAL – 3rd clutch piston inner | ALL | | 5258543 | 1 |
| | SEAL – 3rd clutch piston outer | ALL | | 5258042 | 1 |
| | SEAL – Reverse clutch piston inner | ALL | | 5258005 | 1 |
| | SEAL – Reverse clutch piston outer | ALL | | 5258004 | 1 |
| 4.177 | CARRIER ASSEMBLY – Planet | | | | |
| | GEAR SET PACKAGE | ALL | | 2822065 | 1 |
| | CARRIER ASSEMBLY – Planet | ALL | | 2816419 | 1 |
| | GEAR ASSEMBLY – Input sun | ALL | | 2816435 | 1 |
| | PINION SET – Short | ALL | | 2816442 | 1 |
| | PINION SET – Long | ALL | | 2816441 | 1 |
| | WASHER – Short pinion (Bronze) | ALL | | 2816423 | 8 |
| | WASHER – Short pinion (Steel) | ALL | | 2816422 | 8 |
| | WASHER – Long pinion (Bronze) | ALL | | 5258066 | 8 |
| | WASHER – Long pinion (Steel) | ALL | | 5258065 | 8 |
| | SHAFT – Short pinion | ALL | | 5258055 | 4 |
| | SHAFT – Long pinion | ALL | | 5258054 | 4 |
| | PLATE – Pinion shaft locking | ALL | | 5258545 | 1 |
| | SCREW – Pinion shaft locking | ALL | | 5259609 | 4 |
| | BEARING – Pinion needle | ALL | | 8625657 | 260 |
| | PINION NEEDLE ROLLER BEARING | | | | |
| | PACKAGE (Package of 260) | ALL | | M36815 | 1 |
| | SPACER – Pinion needle bearing | ALL | | 5258087 | 4 |
| | WASHER – Input sun gear to carrier assembly | ALL | | 5258554 | 1 |

"HQ" PARTS CATALOGUE

| GROUP | DESCRIPTION | MODEL | SIDE | PART No. | QTY. |
|---|--|---|------|-------------------------|------|
| TRANSMISSION ASSEMBLY "TRI-MATIC" AUTOMATIC STEERING COLUMN SHIFT, CONSOLE SHIFT | | | | | |
| FITTED IN VEHICLES EQUIPPED WITH 173, 202, 253, 308 CU. IN. ENGINES | | | | | |
| 4.177 | CARRIER ASSEMBLY – Planet (contd.) | | | | |
| | WASHER – Input shaft to sun gear thrust | ALL | | 5258555 | 1 |
| | BEARING – Sun gear to carrier | ALL | | 5258553 | 1 |
| | BEARING – Input shaft to sun gear thrust | ALL | | 5258553 | 1 |
| | BEARING – Reaction sun gear | ALL | | 5686837 | 2 |
| | GEAR & DRUM ASSEMBLY – Reaction sun | ALL | | 2816438 | 1 |
| | NOTE: Gear Set Package consists of Carrier Assy., Reaction Gear & Drum Assy., Input Sun Gear Assy., Ring Gear. | | | | |
| 4.187 | GEAR – Transmission ring | | | | |
| | GEAR | ALL | | 2816429 | 1 |
| 4.189 | SEAT – Reverse clutch piston return spring | | | | |
| | SEAT | ALL | | 5258021 | 1 |
| 4.195 | PAN – Transmission oil | | | | |
| | PAN ASSEMBLY | ALL | | 5258141 | 1 |
| | SCREW – Hex. hd. mach. $\frac{9}{16}$ " – 18 x $\frac{5}{8}$ " | ALL | | 3829139 | 12 |
| | SCREW & GASKET ASSEMBLY – Drain | ALL | | 7423483 | 1 |
| | GASKET – Drain screw | ALL | | 513975 | 1 |
| | SCREW & GASKET ASSEMBLY – Drain – $\frac{9}{16}$ " – 18 | ALL | | 7433631 | 1 |
| | GASKET – Drain screw – $\frac{9}{16}$ " | ALL | | 7433633 | 1 |
| 4.196 | GASKET – Transmission oil pan | | | | |
| | GASKET | ALL | | 2822944 | 1 |
| 4.205 | PIPE, ADAPTOR, SLEEVE – Transmission vacuum modulator | | | | |
| | PIPE – (Prior to A.D.R. 10B) | 173, 202 Eng. | | 2819622 | 1 |
| | PIPE – (Use with A.D.R. 10B) | 173, 202 Eng. | | 9929064 | 1 |
| | PIPE | 253, 308 Eng. | | 2819623 | 1 |
| | ADAPTOR – Pipe to modulator – 2 way | 173, 202 Eng. Disc Brake exc. Air Cond. | | 2818821 | 1 |
| | ADAPTOR – Pipe to modulator – 2 way | 173, 202 Eng. Air Cond. exc. Disc Brake | | 2818821 | 1 |
| | ADAPTOR – Pipe to modulator – 2 way | 253, 308 Eng. Disc Brake exc. Air Cond. | | 2818821 | 1 |
| | ADAPTOR – Pipe to modulator – 3 way | 173, 202 Eng. Air Cond. Disc Brake | | 2818168 | 1 |
| | ADAPTOR – Pipe to modulator – 3 way | 253, 308 Eng. Air Cond. Disc Brake | | 2820582 | 1 |
| | CONNECTOR | ALL | | 2819593 | 1 |
| | SLEEVE – Modulator pipe | ALL | | 7420336 | 2 |
| 4.212 | COVER – Transmission servo | | | | |
| | COVER | ALL | | 2814877 | 1 |
| | GASKET – Cover | ALL | | 5258339 | 1 |
| 4.223 | GASKET – Oil pump suction screen | | | | |
| | GASKET | ALL | | 5258245 | 1 |
| 4.224 | SCREEN ASSEMBLY – Transmission oil pump suction | | | | |
| | SCREEN ASSEMBLY | ALL | | 5258130 | 1 |
| 4.226 | OIL PUMP COMPONENTS | | | | |
| | BUSHING – Body | 173, 202, 253 Eng. | | 5258529 | 1 |
| | BUSHING – Body | 308 Eng. | | (^{1A} 5258529 | 1 |
| | BUSHING – Body | 308 Eng. | | (^{1B} 9930035 | 1 |
| | VALVE – Pressure regulator booster | 173, 202, 253 Eng. | | 5258143 | 1 |
| | VALVE – Pressure regulator booster | 308 Eng. | | (^{1A} 2814498 | 1 |
| | VALVE – Pressure regulator booster | 308 Eng. | | (^{1B} 9929678 | 1 |
| | VALVE – Priming | ALL | | 5258344 | 1 |
| | SPRING – Priming valve | ALL | | 5258345 | 1 |

Note: (^{1A} Calibration A or B.
(^{1B} Calibration C.

"HQ" PARTS CATALOGUE

| GROUP | DESCRIPTION | MODEL | SIDE | PART No. | QTY. |
|---|---|-------------------------|------|--------------------------|------|
| TRANSMISSION ASSEMBLY "TRI-MATIC" AUTOMATIC STEERING COLUMN SHIFT, CONSOLE SHIFT | | | | | |
| FITTED IN VEHICLES EQUIPPED WITH 173, 202, 253, 308 CU. IN. ENGINES | | | | | |
| 4.226 | OIL PUMP COMPONENTS (comtd.) | | | | |
| | VALVE - Pressure regulator | ALL | | 5258140 | 1 |
| | SPRING - Pressure regulator valve | 173, 253 Eng. | | 5258166 | 1 |
| | SPRING - Pressure regulator valve | 202 Eng. | | 2810499 | 1 |
| | SPRING - Pressure regulator valve | 308 Eng. | | (¹⁸ 2810499) | 1 |
| | SPRING - Pressure regulator valve | 308 Eng. | | (¹⁹ 9929628) | 1 |
| | PIN - Chamfer 1/8" x 1 1/8" | ALL | | 114468 | 1 |
| | PLATE - Wear | ALL | | 5258850 | 1 |
| | WASHER - Converter housing to pump | ALL | | 7436448 | 5 |
| | WASHER - Converter housing and pump to case | ALL | | 7436448 | 7 |
| | SEAL - Oil pump outer | ALL | | 5258119 | 1 |
| | SEAT - Pressure regulator valve spring | ALL | | 5258219 | 2 |
| | BODY & GEAR PACKAGE - (Matched set) | 173, 202, 253 Eng. | | 2819891 | 1 |
| | BODY & GEAR PACKAGE - (Matched Set) | 308 Eng. | | (¹⁸ 2819891) | 1 |
| | BODY & GEAR PACKAGE - (Matched Set) | 308 Eng. | | (¹⁹ 9929279) | 1 |
| | SLEEVE - Pressure regulator booster valve | 173, 202, 253 Eng. | | 5258161 | 1 |
| | SLEEVE - Pressure regulator booster valve | 308 Eng. | | (¹⁸ 2814499) | 1 |
| | SLEEVE - Pressure regulator booster valve | 308 Eng. | | (¹⁹ 9929677) | 1 |
| | RETAINER - Priming valve | ALL | | 3784609 | 1 |
| | GASKET - Oil pump assembly | ALL | | 5258939 | 1 |
| | BOLT - Flanged hex. hd. 3/8" - 18 x 1 3/8" | ALL | | 9423842 | 5 |
| | PLUG - Oil pump | ALL | | 8611710 | 3 |
| 4.228 | PISTON - Servo and accumulator | | | | |
| | PISTON ASSEMBLY - Servo | 173, 202 Eng. | | 5258569 | 1 |
| | PISTON ASSEMBLY - Servo | 253 Eng. | | 5258183 | 1 |
| | PISTON ASSEMBLY - Servo | 308 Eng. | | (¹⁸ 5258183) | 1 |
| | PISTON ASSEMBLY - Servo | 308 Eng. | | (¹⁹ 9929629) | 1 |
| | PISTON - Accumulator | ALL | | 5258186 | 1 |
| 4.230 | ROD - Servo piston apply | | | | |
| | ROD | ALL | | 9928795 | 1 |
| 4.233 | SPRING, RETAINER - Piston | | | | |
| | SPRING - Servo piston return | 173 Eng. | | 5258572 | 1 |
| | SPRING - Servo piston return | 202 Eng. | | 5258165 | 1 |
| | SPRING - Servo piston return | 253 Eng. | | 2820888 | 1 |
| | SPRING - Servo piston return | 308 Eng. | | (¹⁸ 2820888) | 1 |
| | SPRING - Servo piston return | 308 Eng. | | (¹⁹ 5258892) | 1 |
| | SPRING - Servo piston cushion | 173, 202 Eng. | | 5258565 | 1 |
| | SPRING - Servo piston cushion | 253 Eng. | | 5258564 | 1 |
| | SPRING - Servo piston cushion | 308 Eng. | | (¹⁸ 5258564) | 1 |
| | SPRING - Servo piston cushion | 308 Eng. | | (¹⁹ 9929676) | 1 |
| | RETAINER - Servo piston | ALL | | 5258185 | 1 |
| | SCREW - Oval point hex. socket 3/8" - 24 x 1 1/2" | ALL | | SP2388 | 1 |
| | SPRING - Accumulator piston | ALL | | 5258162 | 1 |
| | PIN - Accumulator piston | ALL | | 5259866 | 1 |
| 4.251 | BAND ASSEMBLY - Transmission reaction | | | | |
| | BAND ASSEMBLY | ALL | | 5463805 | 1 |
| | PIN - Band anchor | ALL | | 5258190 | 2 |
| 4.256 | GOVERNOR ASSEMBLY & COMPONENTS | | | | |
| | GOVERNOR ASSEMBLY | ALL | | 2820230 | 1 |
| | BODY - Governor valve | ALL | | 2820857 | 1 |
| | SCREW & LOCK WASHER ASSEMBLY - Hex. hd. mach. 1/4" - 20 x 3/4" | ALL | | 3805921 | 2 |
| | GASKET - Governor | ALL | | 2818038 | 1 |

Note: (¹⁸ Calibration A or B.
(¹⁹ Calibration C.

"HQ" PARTS CATALOGUE

| GROUP | DESCRIPTION | MODEL | SIDE | PART No. | QTY. |
|---|--|-------------------------|------|-------------------------|------|
| TRANSMISSION ASSEMBLY "TRI-MATIC" AUTOMATIC STEERING COLUMN SHIFT, CONSOLE SHIFT | | | | | |
| FITTED IN VEHICLES EQUIPPED WITH 173, 202, 253, 308 CU. IN. ENGINES | | | | | |
| 4.256 | GOVERNOR ASSEMBLY & COMPONENTS (contd.) | | | | |
| | VALVE - Primary | ALL | | 2820232 | 1 |
| | VALVE - Secondary | ALL | | 5258329 | 1 |
| | SPRING - Secondary valve | ALL | | 5258547 | 1 |
| | RETAINER - Secondary valve spring | ALL | | 5258342 | 1 |
| | SCREEN ASSEMBLY - Governor valve | ALL | | 5258383 | 1 |
| 4.265 | BODY ASSEMBLY - Valve and components | | | | |
| | BODY ASSEMBLY | 173 Eng. | | 2824451 | 1 |
| | BODY ASSEMBLY | 202 Eng. | | 2824453 | 1 |
| | BODY ASSEMBLY | 253 Eng. | | 2822253 | 1 |
| | BODY ASSEMBLY | 308 Eng. | | (¹⁸ 2822254 | 1 |
| | BODY ASSEMBLY | 308 Eng. | | (¹⁸ 9929685 | 1 |
| | BODY | 173, 202, 253 Eng. | | 2811797 | 1 |
| | BODY | 308 Eng. | | (¹⁸ 2811797 | 1 |
| | BODY | 308 Eng. | | (¹⁸ 9929709 | 1 |
| | PLATE - Transfer | 173, 202 Eng. | | 2817631 | 1 |
| | PLATE - Transfer | 253 Eng. | | 2820743 | 1 |
| | PLATE - Transfer | 308 Eng. | | (¹⁸ 2823590 | 1 |
| | PLATE - Transfer | 308 Eng. | | (¹⁸ 9929686 | 1 |
| | GASKET - Transfer plate to valve body | ALL | | 5258443 | 1 |
| | GASKET - Transfer plate to case | ALL | | 2825184 | 1 |
| | REINFORCEMENT - Transfer plate | ALL | | 2817632 | 1 |
| | SOLENOID & CONNECTOR ASSEMBLY | ALL | | 2817633 | 1 |
| | 'O' RING - Solenoid & connector | ALL | | VS12096 | 1 |
| | GASKET - Solenoid | ALL | | 2817634 | 1 |
| | MODULATOR ASSEMBLY - Vacuum | ALL | | 5258181 | 1 |
| | PLUNGER - Vacuum modulator | ALL | | 5258244 | 1 |
| | GASKET - Vacuum modulator | ALL | | 5258240 | 1 |
| | VALVE - Vacuum modulator | 173, 202 Eng. | | 5258179 | 1 |
| | VALVE - Vacuum modulator | 253 Eng. | | 2820777 | 1 |
| | VALVE - Vacuum modulator | 308 Eng. | | (¹⁸ 2820779 | 1 |
| | VALVE - Vacuum modulator | 308 Eng. | | (¹⁸ 2820777 | 1 |
| | SLEEVE - Vacuum modulator valve | 173, 202 Eng. | | 5258180 | 1 |
| | SLEEVE - Vacuum modulator valve | 253 Eng. | | 2820778 | 1 |
| | SLEEVE - Vacuum modulator valve | 308 Eng. | | (¹⁸ 2820780 | 1 |
| | SLEEVE - Vacuum modulator valve | 308 Eng. | | (¹⁸ 2820778 | 1 |
| | SEAL - Vacuum modulator valve sleeve | ALL | | 5258338 | 1 |
| | VALVE - Manual | ALL | | 5258145 | 1 |
| | VALVE - 1st & 2nd shift | ALL | | 5258160 | 1 |
| | VALVE - 2nd & 3rd shift | ALL | | 5258193 | 1 |
| | VALVE - 1st & 2nd shift control | 173 Eng. | | 5258192 | 1 |
| | VALVE - 1st & 2nd shift control | 202 Eng. | | 2814293 | 1 |
| | VALVE - 1st & 2nd shift control | 253 Eng. | | 2820914 | 1 |
| | VALVE - 1st & 2nd shift control | 308 Eng. | | (¹⁸ 2820914 | 1 |
| | VALVE - 1st & 2nd shift control | 308 Eng. | | (¹⁸ 2814293 | 1 |
| | VALVE - 2nd & 3rd shift control | 173, 202 Eng. | | 5258215 | 1 |
| | VALVE - 2nd & 3rd shift control | 253 Eng. | | 2820917 | 1 |
| | VALVE - 2nd & 3rd shift control | 308 Eng. | | (¹⁸ 2820917 | 1 |
| | VALVE - 2nd & 3rd shift control | 308 Eng. | | (¹⁸ 5258952 | 1 |
| | VALVE - 2nd & 3rd shift control | ALL | | 5258215 | 1 |
| | VALVE - Low speed downshift timing | ALL | | 5258340 | 1 |
| | VALVE - High speed downshift timing | ALL | | 5258340 | 1 |
| | VALVE - 3rd to 2nd control | ALL | | 5258340 | 1 |
| | VALVE - Manual low control | ALL | | 5258213 | 1 |
| | VALVE - 1st & 2nd accumulator | ALL | | 2814288 | 1 |
| | VALVE - 1st & 2nd accumulator control | ALL | | 5258807 | 1 |
| | VALVE - Detent pressure regulator | ALL | | 5258600 | 1 |
| | VALVE - Reverse control | ALL | | 5258212 | 1 |
| | SPRING - 1st & 2nd shift control valve | 173 Eng. | | 5258577 | 1 |

Note: (¹⁸ Calibration A or B.
(¹⁹ Calibration C.

"HQ" PARTS CATALOGUE

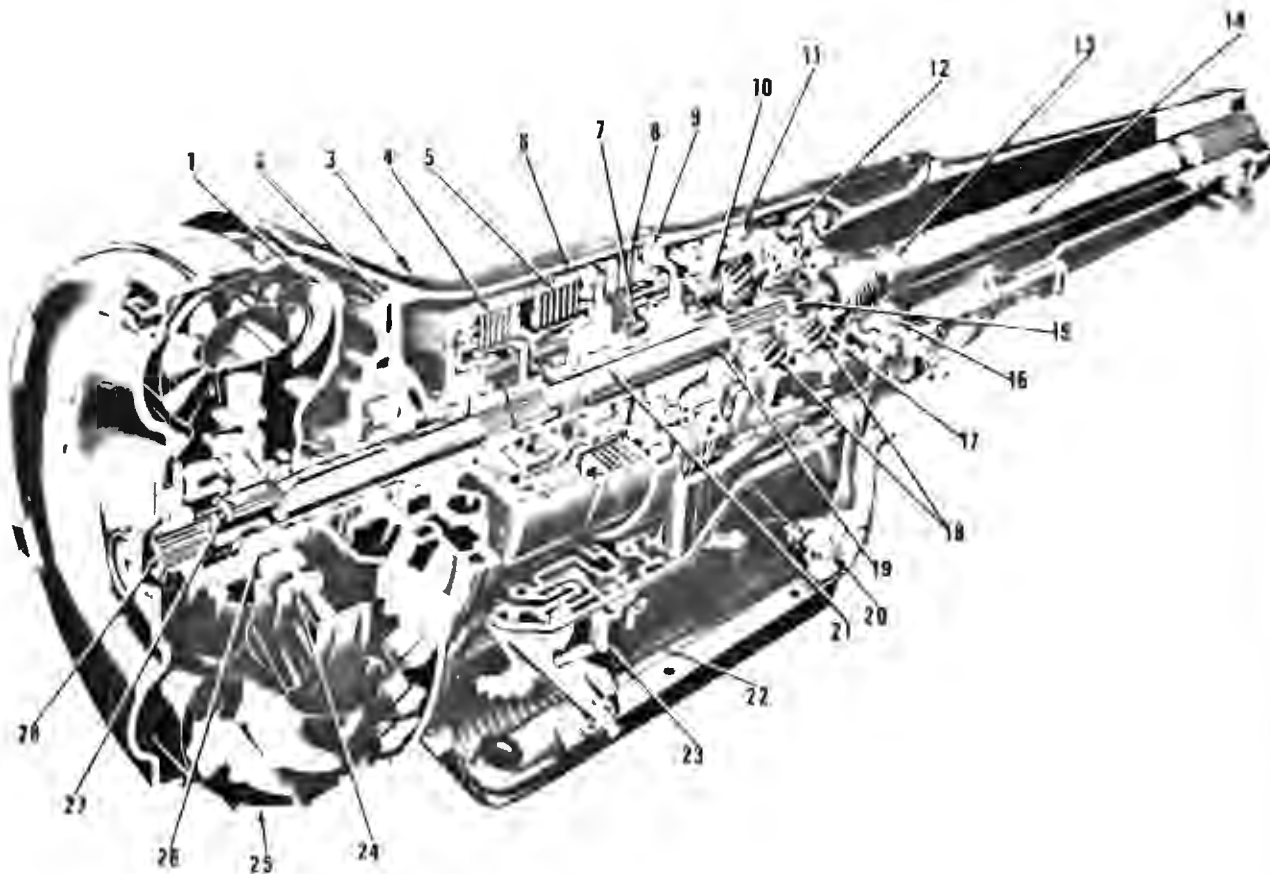
| GROUP | DESCRIPTION | MODEL | SIDE | PART No. | QTY. |
|---|--|-------------------------|------|--------------------------|------|
| TRANSMISSION ASSEMBLY "TRI-MATIC" AUTOMATIC STEERING COLUMN SHIFT, CONSOLE SHIFT | | | | | |
| FITTED IN VEHICLES EQUIPPED WITH 173, 202, 253, 308 CU. IN. ENGINES | | | | | |
| 4.265 | BODY ASSEMBLY – Valve and components (contd.) | | | | |
| | SPRING – 1st & 2nd shift control valve | 202 Eng. | | 2814295 | 1 |
| | SPRING – 1st & 2nd shift control valve return | 308 Eng. | | (¹⁸ 2814295) | 1 |
| | SPRING – 1st & 2nd shift valve | 202 Eng. | | 2814312 | 1 |
| | SPRING – 1st & 2nd shift valve | 253 Eng. | | 2820916 | 1 |
| | SPRING – 1st & 2nd shift valve | 308 Eng. | | (¹⁸ 2820916) | 1 |
| | SPRING – 1st & 2nd shift valve | 308 Eng. | | (¹⁸ 2814312) | 1 |
| | SPRING – 2nd & 3rd shift control valve | 173, 253 Eng. | | 5258578 | 1 |
| | SPRING – 2nd & 3rd shift control valve | 308 Eng. | | (¹⁸ 5258578) | 1 |
| | SPRING – 2nd & 3rd shift control valve | 308 Eng. | | (¹⁸ 2811014) | 1 |
| | SPRING – 2nd & 3rd shift control valve | 202 Eng. | | 2811014 | 1 |
| | SPRING – Low speed downshift timing valve | 173, 202, 253 Eng. | | 5258579 | 1 |
| | SPRING – Low speed downshift timing valve | 308 Eng. | | (¹⁸ 5258579) | 1 |
| | SPRING – Low speed downshift timing valve | 308 Eng. | | (¹⁸ 2817224) | 1 |
| | SPRING – High speed downshift timing valve | 173, 308 Eng. | | 2816882 | 1 |
| | SPRING – High speed downshift timing valve | 202, 253 Eng. | | 2820889 | 1 |
| | SPRING – 3rd to 2nd control valve | 173 Eng. | | 5258584 | 1 |
| | SPRING – 3rd to 2nd control valve | 202 Eng. | | 2816882 | 1 |
| | SPRING – 3rd to 2nd control valve | 253 Eng. | | 2823165 | 1 |
| | SPRING – 3rd to 2nd control valve | 308 Eng. | | (¹⁸ 2823589) | 1 |
| | SPRING – 3rd to 2nd control valve | 308 Eng. | | (¹⁸ 9929681) | 1 |
| | SPRING – Manual low & reverse control valve | ALL | | 5258581 | 1 |
| | SPRING – 1st & 2nd accumulator valve | 173 Eng. | | 2810537 | 1 |
| | SPRING – 1st & 2nd accumulator valve | 202, 253 Eng. | | 2810538 | 1 |
| | SPRING – 1st & 2nd accumulator valve | 308 Eng. | | 2820868 | 1 |
| | SPRING – Detent pressure regulator valve | ALL | | 5258582 | 1 |
| | SLEEVE – 1st & 2nd shift control valve | 173 Eng. | | 5258184 | 1 |
| | SLEEVE – 1st & 2nd shift control valve | 202 Eng. | | 2814294 | 1 |
| | SLEEVE – 1st & 2nd shift control valve | 253 Eng. | | 2820915 | 1 |
| | SLEEVE – 1st & 2nd shift control valve | 308 Eng. | | (¹⁸ 2820915) | 1 |
| | SLEEVE – 1st & 2nd shift control valve | 308 Eng. | | (¹⁸ 2814294) | 1 |
| | SLEEVE – 2nd & 3rd shift control valve | 173, 202 Eng. | | 5258195 | 1 |
| | SLEEVE – 2nd & 3rd shift control valve | 253 Eng. | | 2820918 | 1 |
| | SLEEVE – 2nd & 3rd shift control valve | 308 Eng. | | (¹⁸ 2820918) | 1 |
| | SLEEVE – 2nd & 3rd shift control valve | 308 Eng. | | (¹⁸ 5258951) | 1 |
| | SEAT – 2nd & 3rd shift control valve spring | ALL | | 5258509 | 1 |
| | SEAT – Detent pressure regulator valve spring | ALL | | 5258805 | 1 |
| | PIN – Coiled spring | ALL | | 2820110 | 8 |
| | LINK – Manual valve lever | ALL | | 5258243 | 1 |
| | PLUG – Low speed downshift timing valve | ALL | | 5258216 | 1 |
| | PLUG – 3rd to 2nd control valve | ALL | | 5258216 | 1 |
| | PLUG – 1st & 2nd accumulator valve | ALL | | 5258333 | 1 |
| | PLUG – Accumulator piston access hole | ALL | | 8611710 | 1 |
| 4.279 | VALVE, SPRING, SLEEVE, ROLLER – Detent | | | | |
| | VALVE | ALL | | 2824303 | 1 |
| | SPRING – Valve | ALL | | 2817629 | 1 |
| | SLEEVE – Valve | ALL | | 2817627 | 1 |
| | SEAL – Valve sleeve oil | ALL | | 5258338 | 1 |
| | ROLLER & SPRING ASSEMBLY | ALL | | 5258253 | 1 |
| | SPRING – Roller | ALL | | 2809934 | 1 |
| | PIN – Roller to spring | ALL | | 9414521 | 1 |
| | PIN – Detent valve retainer | ALL | | 2825091 | 1 |
| | LEVER – Park lock & range selector, inner | ALL | | 5258149 | 1 |
| 4.282 | SEAL – Park lock and range selector shaft oil | | | | |
| | SEAL | ALL | | 8623056 | 1 |

Note: (¹⁸ Calibration A or B.
(¹⁹ Calibration C.

| GROUP | DESCRIPTION | MODEL | SIDE | PART No. | QTY. |
|---|--|--|------|----------|------|
| TRANSMISSION ASSEMBLY "TRI-MATIC" AUTOMATIC STEERING COLUMN SHIFT, CONSOLE SHIFT | | | | | |
| FITTED IN VEHICLES EQUIPPED WITH 173, 202, 253, 308 CU. IN. ENGINES | | | | | |
| 4.294 | ACTUATOR ASSEMBLY, RING, SLEEVE, SHAFT – Parking brake lock | | | | |
| | ACTUATOR ASSEMBLY | ALL | | 2817360 | 1 |
| | RING – Actuator to inner lever | ALL | | 6257880 | 1 |
| | SLEEVE – Actuator | ALL | | 5258082 | 1 |
| | PAWL | ALL | | 5258062 | 1 |
| | SHAFT – Pawl | ALL | | 5258366 | 1 |
| | SHAFT – Park lock & range selector | ALL | | 5258286 | 1 |
| | PIN – Park lock & range selector retainer | ALL | | 2825091 | 1 |
| 4.295 | SPRING – Parking brake lock pawl disengaging | | | | |
| | SPRING | ALL | | 5258076 | 1 |
| 4.317 | HOUSING – Transmission extension | | | | |
| | HOUSING ASSEMBLY | ALL | | 5258484 | 1 |
| | BUSHING – Housing | ALL | | 3717682 | 1 |
| | SEAL – Housing | ALL | | 3932255 | 1 |
| 4.318 | GASKET – Transmission extension housing | | | | |
| | GASKET | ALL | | 5258199 | 1 |
| 4.337 | GEAR, CLIP – Speedometer driven and drive | | | | |
| | GEAR – Driven – 19 teeth – Pink | 173, 202 Eng. 3.08:1 A.R. 78 x 14 Tyres | | 7430967 | 1 |
| | GEAR – Driven – 20 teeth – White | 173, 202 Eng. 3.08:1 A.R. exc.-78 x 14 Tyres | | 7430968 | 1 |
| | GEAR – Driven – 21 teeth – Green | 173, 202 Eng. 3.36:1 A.R. 7.35 x 14, 78 x 14, 195 x 14 Tyres | | 7430969 | 1 |
| | GEAR – Driven – 22 teeth – Dark blue | 173, 202 Eng. 3.36:1 A.R. 6.95 x 14, 185 x 14, 70 x 14 Tyres | | 7430970 | 1 |
| | GEAR – Driven – 22 teeth – Dark blue | 173, 202 Eng. 3.55:1 A.R. 78 x 14, 195 x 14 Tyres | | 7430970 | 1 |
| | GEAR – Driven – 23 teeth – Red | 173, 202 Eng. 3.55:1 A.R. 6.95 x 14, 185 x 14, 70 x 14, 735 x 14 Tyres | | 7430971 | 1 |
| | GEAR – Driven – 24 teeth – Yellow | 173, 202 Eng. 3.90:1 A.R. F78 x 14, F78L-14, FB78S-14 Tyres | | 7430972 | 1 |
| | GEAR – Driven – 25 teeth – Light blue | 173, 202 Eng. 3.90:1 A.R. 6.95 x 14, 7.35 x 14, 70 x 14, 185 x 14, EB78 x 14, 195 x 14 Tyres | | 7448810 | 1 |
| | GEAR – Driven – 19 teeth – Pink | 253, 308 Eng. 2.78:1 A.R. F78 x 14, 7.35 x 14 Tyres | | 7430967 | 1 |
| | GEAR – Driven – 20 teeth – White | 253, 308 Eng. 2.78:1 A.R. 6.95 x 14, 7.35 x 14, 185 x 14, 195 x 14, 70 x 14, EB78S-14 Tyres | | 7430968 | 1 |
| | GEAR – Driven – 21 teeth – Green | 253, 308 Eng. 3.08:1 A.R. F78 x 14, 7.35 x 14 Tyres | | 7430969 | 1 |
| | GEAR – Driven – 22 teeth – Dark blue | 253, 308 Eng. 3.08:1 A.R. 185 x 14, 195 x 14, 70 x 14, 7.35 x 14, EB78S-14 Tyres | | 7430970 | 1 |
| | GEAR – Driven – 23 teeth – Red | 253, 308 Eng. 3.08:1 A.R. 6.95 x 14 Tyres | | 7430971 | 1 |
| | GEAR – Driven – 23 teeth – Red | 253, 308 Eng. 3.36:1 A.R. F78 x 14, 7.35 x 14 Tyres | | 7430971 | 1 |
| | GEAR – Driven – 24 teeth – Yellow | 253, 308 Eng. 3.36:1 A.R. 185 x 14, 195 x 14, 70 x 14, 7.35 x 14, EB78S-14 Tyres | | 7430972 | 1 |
| | GEAR – Driven – 25 teeth – Light blue | 253, 308 Eng. 3.36:1 A.R. 6.95 x 14 Tyres | | 7448810 | 1 |
| | GEAR – Drive | 173, 202 Eng. | | 5258493 | 1 |
| | GEAR – Drive | 253, 308 Eng. | | 5258494 | 1 |
| | CLIP – Drive gear | ALL | | 1373122 | 1 |

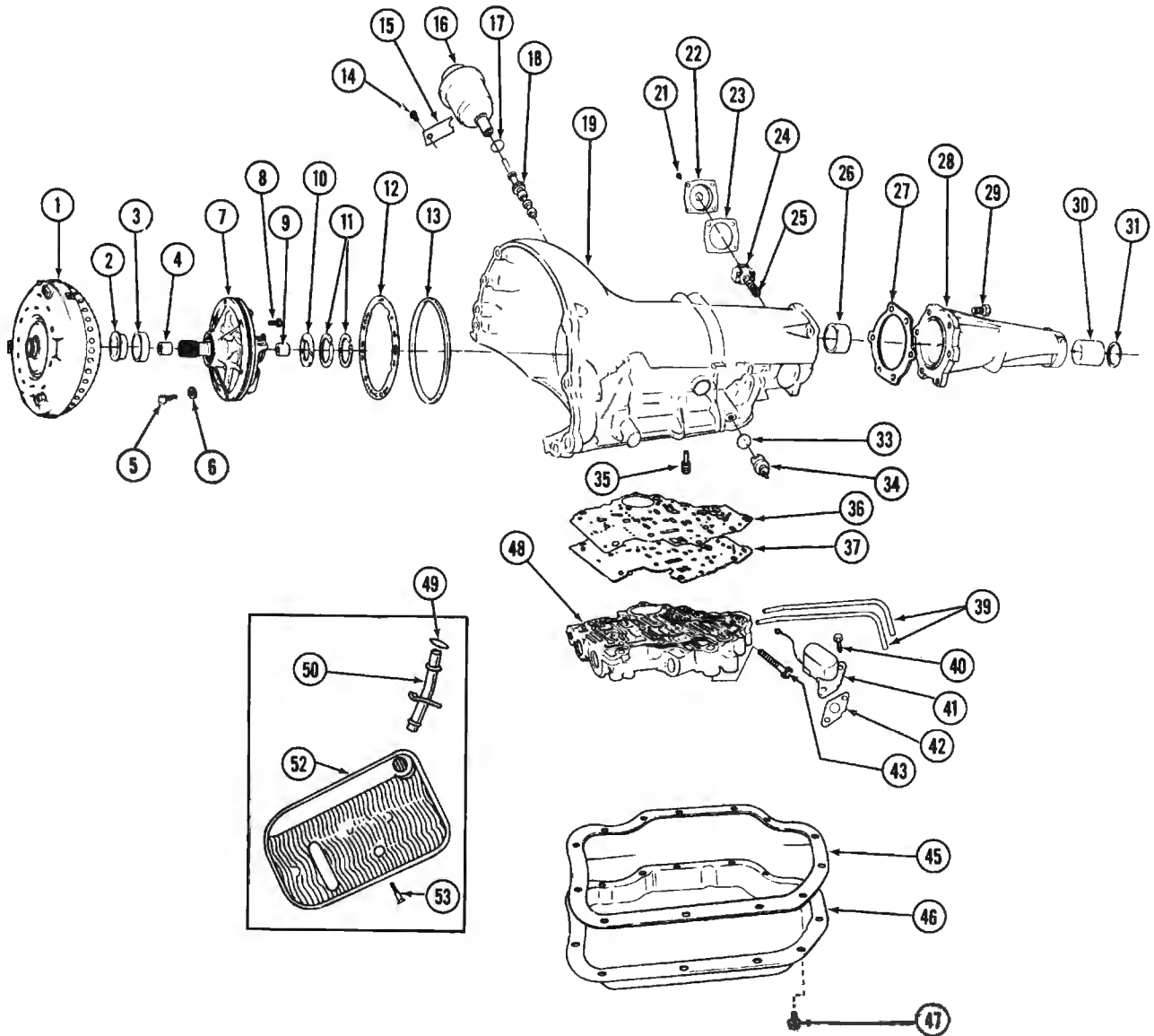
"HQ" PARTS CATALOGUE

| GROUP | DESCRIPTION | MODEL | SIDE | PART No. | QTY. |
|---|--|-----------|------|----------|------|
| TRANSMISSION ASSEMBLY "TRI-MATIC" AUTOMATIC STEERING COLUMN SHIFT, CONSOLE SHIFT FITTED IN VEHICLES EQUIPPED WITH 173, 202, 253, 308 CU. IN. ENGINES | | | | | |
| 4.338 | SEAL – Speedometer driven gear | | | | |
| | SEAL – 'O' Ring – 1/8" I.D. x 1/8" | ALL | | 7430921 | |
| 4.342 | CABLE and CASING, GROMMET, RETAINER – Speedometer | | | | |
| | CABLE & CASING | ALL | | 2814250 | 1 |
| | CABLE KIT | ALL | | VS11990 | 1 |
| | CLIP – Speedo cable to floor pan | ALL | | 7434452 | 1 |
| | RETAINER – Cable & casing assy. | ALL | | 2817874 | 1 |
| | RETAINER – Casing drive end | ALL | | 7430917 | 1 |
| | SEAL – Cable | ALL | | 7434266 | 1 |



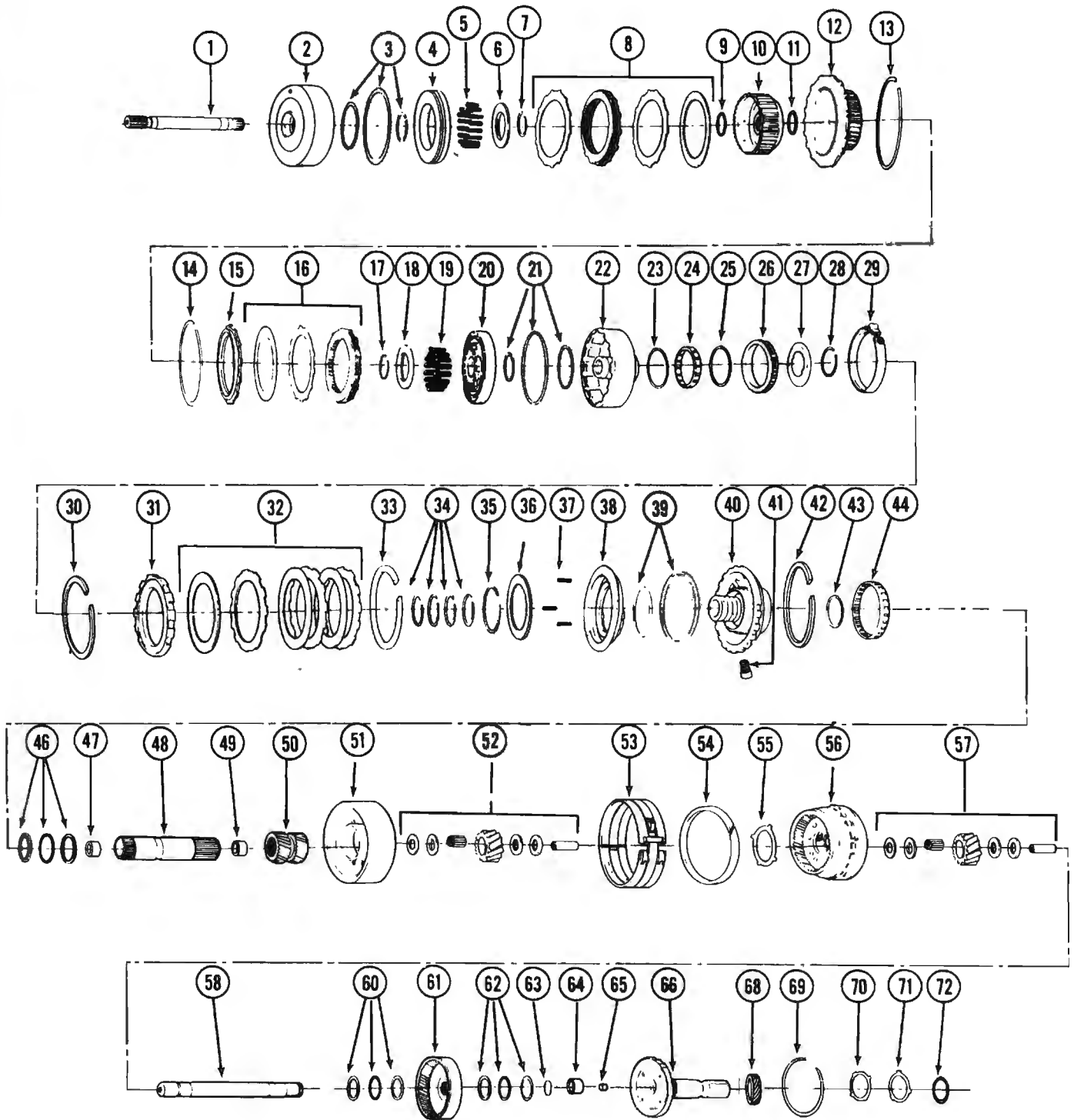
**TRANSMISSION ASSEMBLY
(TURBO HYDRAMATIC)**

| ILLUS. REF. NO. | PART NAME | GROUP | ILLUS. REF. NO. | PART NAME | GROUP |
|-----------------|--------------------------------------|----------------|-----------------|--|--------|
| 1. | CONVERTER ASSEMBLY | 4.156 | 15. | GEAR - Sun | 4.159 |
| 2. | OIL PUMP ASSY. | USE COMPONENTS | 16. | GEAR - Speedo driven | 4.337 |
| 3. | CASE ASSEMBLY | 4.103 | 17. | GEAR - Rear internal mainshaft | 4.187 |
| 4. | HOUSING ASSY. - Forward clutch | 4.169 | 18. | PINION PACKAGE | 4.175 |
| 5. | HOUSING & RACE - Direct clutch | 4.169 | 19. | SHAFT ASSY. - Sun gear | 4.161 |
| 6. | BAND ASSEMBLY - Front | 4.251 | 20. | CONNECTOR - Downshift solenoid valve | 4.265 |
| 7. | SPRAG & BUSHING | 4.167 | 21. | SHAFT - Main | 4.172 |
| 8. | PLATE - Intermediate clutch | 4.163 | 22. | STRAINER ASSEMBLY | 4.224 |
| 9. | SPACER - Support to case | 4.162 | 23. | VALVE BODY ASSEMBLY | 4.265 |
| 10. | ROLLER ASSEMBLY | 4.180 | 24. | STATOR ASSEMBLY | N.S.S. |
| 11. | BAND ASSEMBLY - Rear | 4.251 | 25. | TURBINE | N.S.S. |
| 12. | CARRIER ASSEMBLY - Output | 4.175 | 26. | STATOR ROLLER CLUTCH | N.S.S. |
| 13. | GEAR - Drive | 4.337 | 27. | SHAFT - Stator | N.S.S. |
| 14. | SHAFT & BUSHING ASSY. - Output | 4.175 | 28. | SHAFT - Turbine | 4.123 |



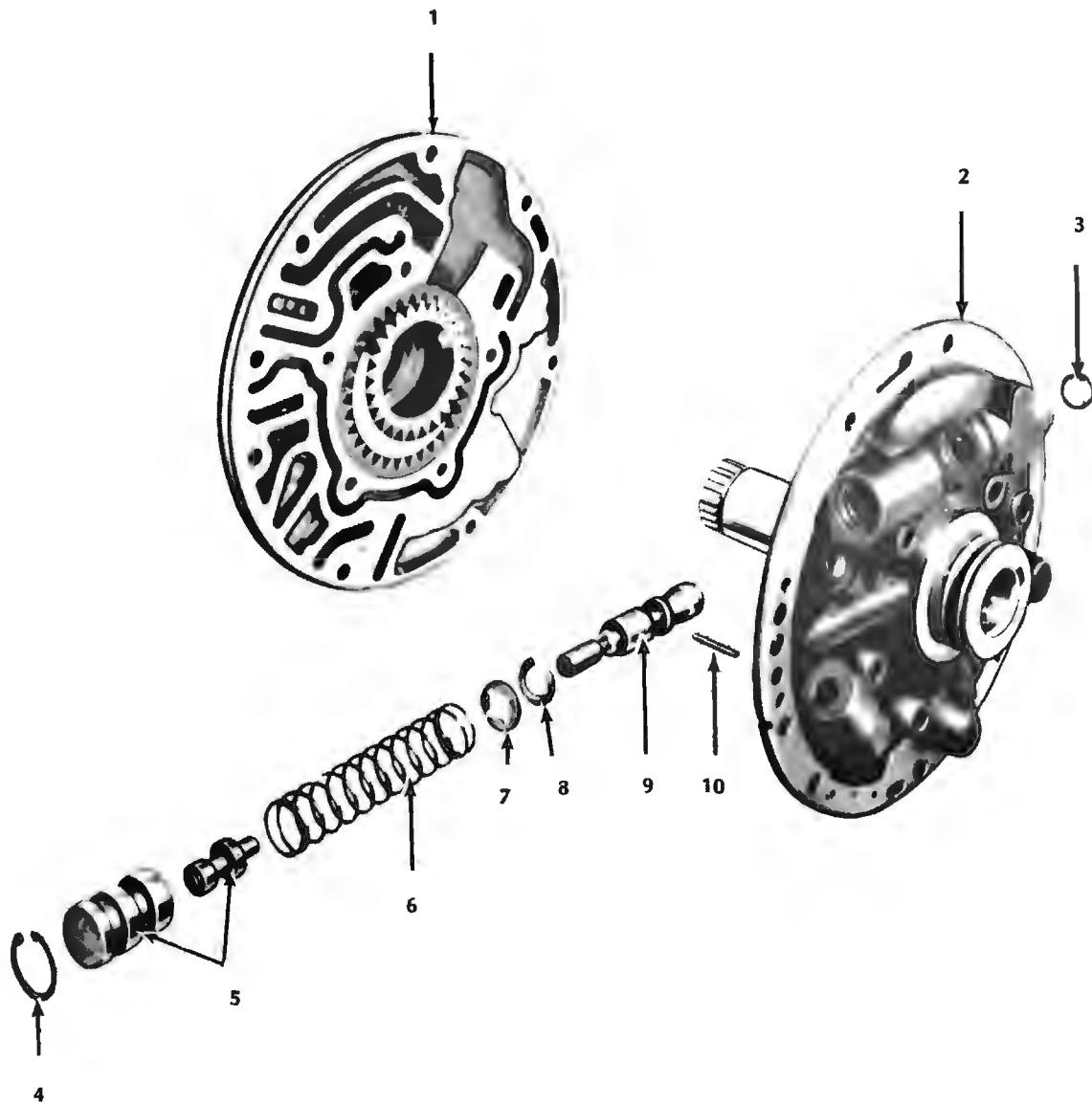
CASE AND ASSOCIATED PARTS

| Illus. Ref. No. | Part Name | Part No. | Qty. | Group | Illus. Ref. No. | Part Name | Part No. | Qty. | Group |
|--------------------|--|----------|------|-------|--------------------|---|----------|------|-------|
| 1. | CONVERTER ASSY. | 8623964 | 1 | 4.156 | 22. | COVER - Governor | 8623262 | 1 | 4.256 |
| 2. | SEAL ASSY. - Pump body | 8624471 | 1 | 4.226 | 23. | GASKET - Governor cover | 8623263 | 1 | 4.256 |
| 3. | BUSHING - Pump body | 8623940 | 1 | 4.226 | 24. | GOVERNOR ASSY. | 8627007 | 1 | 4.256 |
| 4. | BUSHING - Stator shaft, front | 8623944 | 1 | 4.226 | 25. | GEAR & PIN PKG. - Driven | 8623924 | 1 | 4.256 |
| 5. | BOLT - Pump to case | 8626287 | 8 | 4.226 | 26. | BUSHING - Case | 8623941 | 1 | 4.103 |
| 6. | GASKET - Pump to case bolts | 8626281 | 8 | 4.226 | 27. | GASKET - Case to extension | 8624709 | 1 | 4.318 |
| 7. | PUMP ASSY. - Use components | | | | 28. | HOUSING ASSY. | 8626785 | 1 | 4.317 |
| 8. | BOLT - Pump body to cover | 192347 | 2 | 8.900 | 29. | BOLT - Housing | 100134 | 6 | 8.900 |
| | | 220425 | 2 | 8.900 | 30. | BUSHING - Housing | 8626901 | 1 | 4.317 |
| | | 220426 | 1 | 8.900 | 31. | SEAL - Housing | 8625893 | 1 | 4.317 |
| 9. | BUSHING - Stator shaft, rear | 8623944 | 1 | 4.226 | 33. | SEAL - 'O' Ring connector sleeve.. | 7417686 | 1 | 4.265 |
| 10. | WASHER - Oil pump cover to Fwd. clutch housing thrust (Fibre) | | | | 34. | CONNECTOR - Downshift solenoid valve | 8626252 | 1 | 4.265 |
| | Yellow .060" - .064" thick .. | 8623300 | AR | 4.169 | 35. | SCREW - Case to support | 8624009 | 1 | 4.162 |
| | Blue .071" - .075" thick .. | 8623301 | AR | 4.169 | 36. | GASKET - Spacer to case | 8623563 | 1 | 4.265 |
| | Red .082" - .086" thick .. | 8623302 | AR | 4.169 | 37. | PLATE - Valve body spacer | 8625652 | 1 | 4.265 |
| | Brown .093" - .097" thick .. | 8623303 | AR | 4.169 | 39. | PIPE - Governor | 8623157 | 2 | 4.248 |
| | Green .104" - .108" thick .. | 8623304 | AR | 4.169 | 40. | BOLT - Solenoid to case | 179795 | 2 | 8.900 |
| | Black .115" - .119" thick .. | 8623305 | AR | 4.169 | 41. | SOLENOID ASSY. | 8623788 | 1 | 4.265 |
| | Purple .126" - .130" thick .. | 8623306 | AR | 4.169 | 42. | GASKET - Solenoid valve | 8623741 | 1 | 4.265 |
| 11. | RING - Pump to forward clutch housing oil seal | 8623148 | 2 | 4.226 | 43. | BOLT - Valve body to case | 108597 | 8 | 8.900 |
| 12. | GASKET - Pump to case | 8623978 | 1 | 4.226 | | | 108586 | 3 | 8.900 |
| 13. | 'O' RING - Pump to case | 8626309 | 1 | 4.226 | 45. | GASKET - Oil pan | 8526931 | 1 | 4.196 |
| 14. | BOLT - Modulator retainer | 115658 | 1 | 8.900 | 46. | PAN - Transmission oil | 8625766 | 1 | 4.195 |
| 15. | RETAINER - Modulator to case | 1357282 | 1 | 4.265 | 47. | SCREW & WASHER ASSY. - Oil pan to case | 3829139 | 13 | 4.195 |
| 16. | MODULATOR ASSY. - Vacuum | 8625976 | 1 | 4.265 | 48. | VALVE BODY ASSY. | 8627161 | 1 | 4.265 |
| 17. | SEAL - 'O' Ring connector sleeve | 7417686 | 1 | 4.265 | 49. | SEAL - 'O' Ring | 1363951 | 1 | 4.223 |
| 18. | VALVE - Vacuum modulator | 8623983 | 1 | 4.265 | 50. | PIPE ASSY. - Strainer intake | 8625428 | 1 | 4.224 |
| 19. | CASE ASSY. | 8624966 | 1 | 4.103 | 52. | STRAINER ASSY. | 6437741 | 1 | 4.224 |
| 21. | BOLT - Governor cover | 115658 | 4 | 8.900 | 53. | BOLT - Strainer to case | 8625769 | 1 | 4.224 |



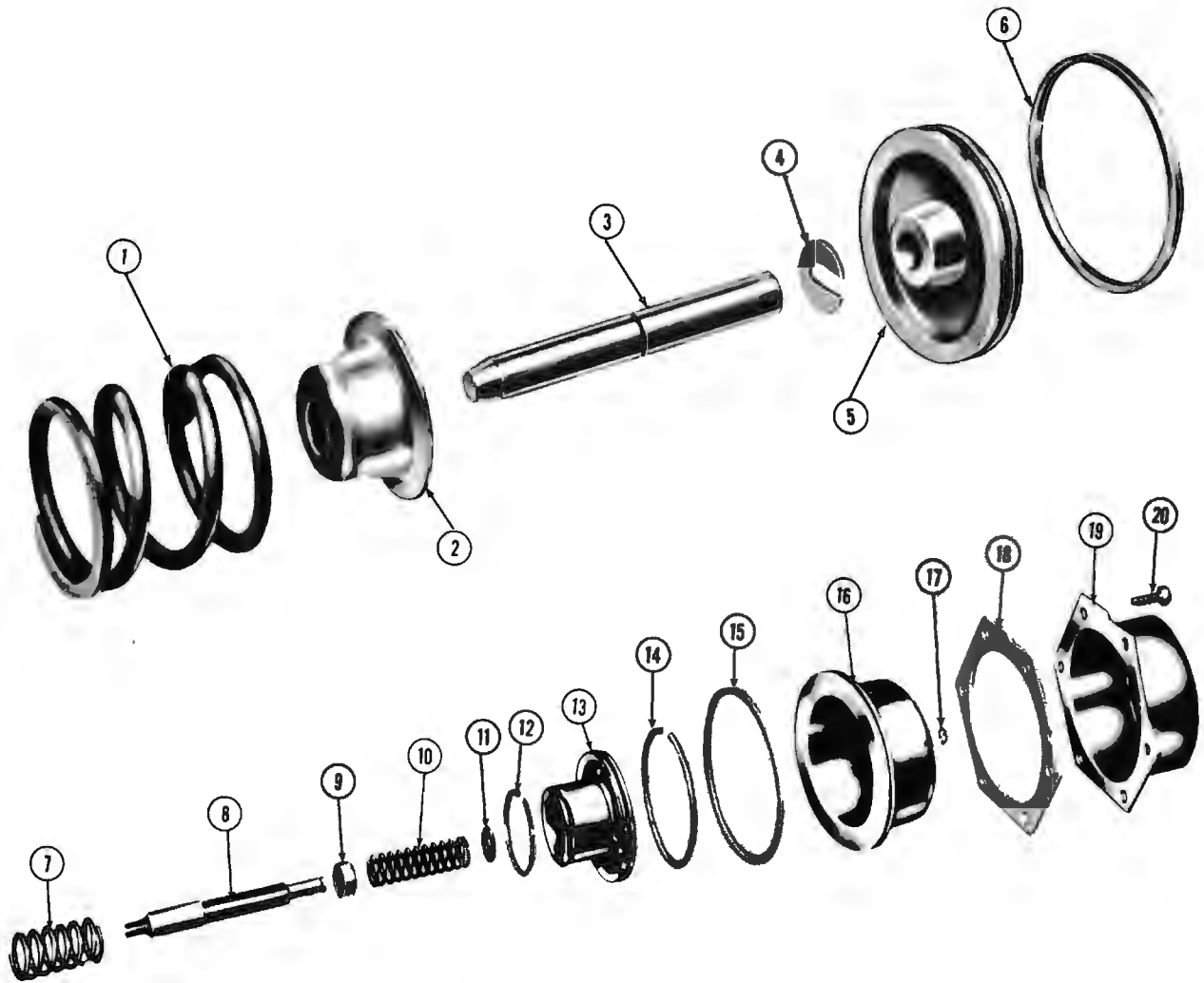
FORWARD, DIRECT AND INTERMEDIATE CLUTCH

| Illus. Ref. No. | Part Name | Part No. | Qty. | Group | Illus. Ref. No. | Part Name | Part No. | Qty. | Group |
|-----------------|--|----------|------|-------|-----------------|--|----------|------|-------|
| 1. | SHAFT – Turbine | 8624772 | 1 | 4.123 | 38. | PISTON – Intermediate clutch | 8624210 | 1 | 4.166 |
| 2. | HOUSING ASSY. – Forward clutch | 8624908 | 1 | 4.169 | 39. | SEAL PKG. – Inter clutch piston | 8623918 | 1 | 4.166 |
| 3. | SEAL PKG. – Forward clutch piston | 8623917 | 1 | 4.166 | 40. | SUPPORT ASSY. – Centre with race and plug | 8625990 | 1 | 4.162 |
| 4. | PISTON – Forward clutch | 8624016 | 1 | 4.166 | 41. | BOLT – Case to support | 8624009 | 1 | 4.162 |
| 5. | SPRING – Fwd. clutch piston release | 8624101 | 16 | 4.164 | 42. | SPACER – Support to case | 8626816 | 1 | 4.162 |
| 6. | RETAINER – Fwd. clutch spring | 8623104 | 1 | 4.164 | 43. | WASHER – Support to reaction drum thrust | 8624783 | 1 | 4.162 |
| 7. | RING – Fwd. clutch to housing spring retainer | 8623105 | 1 | 4.164 | 44. | ROLLER ASSY. | 8623842 | 1 | 4.180 |
| 8. | PLATE – Fwd. clutch, Drive (Comp.) | 8623483 | 5 | 4.163 | 46. | BEARING PKG. – Centre support to sun gear thrust | 8623920 | 1 | 4.159 |
| | Driven (Steel) .. | 8623849 | 4 | 4.163 | 47. | BUSHING – Sun gear shaft | 8623944 | 1 | 4.161 |
| | Driven (Wave) .. | 8623851 | 1 | 4.163 | 48. | SHAFT ASSEMBLY | 8623177 | 1 | 4.161 |
| 9. | WASHER – Fwd. clutch housing to hub (Thrust) | 8624196 | 1 | 4.164 | 49. | BUSHING – Sun gear shaft | 8623944 | 1 | 4.161 |
| 10. | HUB – Forward clutch | 8625717 | 1 | 4.164 | 50. | GEAR – Sun | 8623182 | 1 | 4.159 |
| 11. | WASHER – Fwd. clutch hub to direct clutch hub (Thrust) | 8624781 | 1 | 4.164 | 51. | CARRIER ASSY. – Reaction | 8625859 | 1 | 4.175 |
| 12. | HUB – Direct clutch driving | 8625718 | 1 | 4.164 | 52. | PINION PACKAGE | 8625913 | 1 | 4.175 |
| 13. | RING – Fwd. clutch to Fwd. clutch housing | 8623112 | 1 | 4.164 | 53. | BAND ASSY. – Rear (Complete) | 8623155 | 1 | 4.251 |
| 14. | RING – Direct clutch to direct clutch housing | 8623112 | 1 | 4.164 | 54. | RING – Front, internal gear | 8626112 | 1 | 4.176 |
| 15. | PLATE – Direct clutch backing | 8623122 | 1 | 4.163 | 55. | WASHER – Internal gear to reaction carrier, Thrust | 8626372 | 1 | 4.176 |
| 16. | PLATE – Direct clutch, Drive (Comp) | 8623483 | 5 | 4.163 | 56. | CARRIER ASSY. – Output w/pinions | 8625957 | 1 | 4.175 |
| | Driven (Steel) .. | 8625197 | 4 | 4.163 | 57. | PINION PACKAGE | 8625913 | 1 | 4.175 |
| | Driven (Wave) .. | 8623851 | 1 | 4.163 | 58. | SHAFT – Main | 8625736 | 1 | 4.172 |
| 17. | RING – Direct clutch to housing spring retainer | 8623105 | 1 | 4.164 | 60. | BEARING PKG. – Sun gear to internal gear thrust | 8623921 | 1 | 4.159 |
| 18. | RETAINER – Direct clutch spring | 8623104 | 1 | 4.164 | 61. | GEAR – Rear internal mainshaft | 8623202 | 1 | 4.187 |
| 19. | SPRING – Direct clutch piston rel. | 8624073 | 14 | 4.164 | 62. | THRUST RACE PKG. – Rear internal gear to output shaft | 8623922 | 1 | 4.187 |
| 20. | PISTON ASSY. – Direct clutch | 8625514 | 1 | 4.166 | 63. | RING – Mainshaft to internal gear .. | 8625221 | 1 | 4.172 |
| 21. | SEAL PKG. – Direct clutch piston | 8623917 | 1 | 4.166 | 64. | BUSHING – Output shaft | 8623943 | 1 | 4.176 |
| 22. | HOUSING & RACE – Direct clutch | 8623061 | 1 | 4.169 | 65. | PLUG – Output shaft | 8623484 | 1 | 4.175 |
| 23. | BUSHING – Sprag | 8623945 | 1 | 4.168 | 66. | SHAFT & BUSHING ASSY. – Output includes plug | 8625961 | 1 | 4.175 |
| 24. | SPRAG & BUSHING | 8623116 | 1 | 4.167 | 68. | GEAR – Drive | 8623311 | 1 | 4.337 |
| 25. | BUSHING – Sprag | 8623945 | 1 | 4.168 | 69. | RING – Output shaft | 8626173 | 1 | 4.176 |
| 26. | RACE – Clutch sprag outer | 8623117 | 1 | 4.168 | 70. | WASHER – Output shaft to case front, Thrust | 8626372 | 1 | 4.176 |
| 27. | RETAINER – Inter. clutch outer race | 8623119 | 1 | 4.167 | 71. | WASHER – Output shaft to case rear, Thrust .074" – .078" thick | 8625401 | 1 | 4.176 |
| 28. | RING – Sprag retainer to direct clutch housing | 8623120 | 1 | 4.167 | | | | | |
| 29. | BAND ASSY. – Front | 8623123 | 1 | 4.251 | | | | | |
| 30. | RING – Inter. clutch spring retainer .. | 8623149 | 1 | 4.164 | | | | | |
| 31. | PLATE – Intermediate clutch backing .. | 8623152 | 1 | 4.163 | | | | | |
| 32. | PLATE – Inter. clutch, Drive (Comp) .. | 8623151 | 3 | 4.163 | | | | | |
| | Reaction | 8623150 | 2 | 4.163 | | | | | |
| | Reaction (Wave) .. | 8624199 | 1 | 4.163 | | | | | |
| 33. | RING – Support to case | 8623437 | 1 | 4.162 | 72. | SEAL – Output shaft "O" Ring | 8616504 | 1 | 4.318 |
| 34. | RING – Support oil seal | 8623148 | 4 | 4.162 | | | | | |
| 35. | RING – Inter. clutch spring retainer to support | 8623153 | 1 | 4.164 | | | | | |
| 36. | RETAINER – Inter. clutch spring | 8623146 | 1 | 4.164 | | | | | |
| 37. | SPRING – Inter. clutch piston rel. | 8623145 | 3 | 4.164 | | | | | |



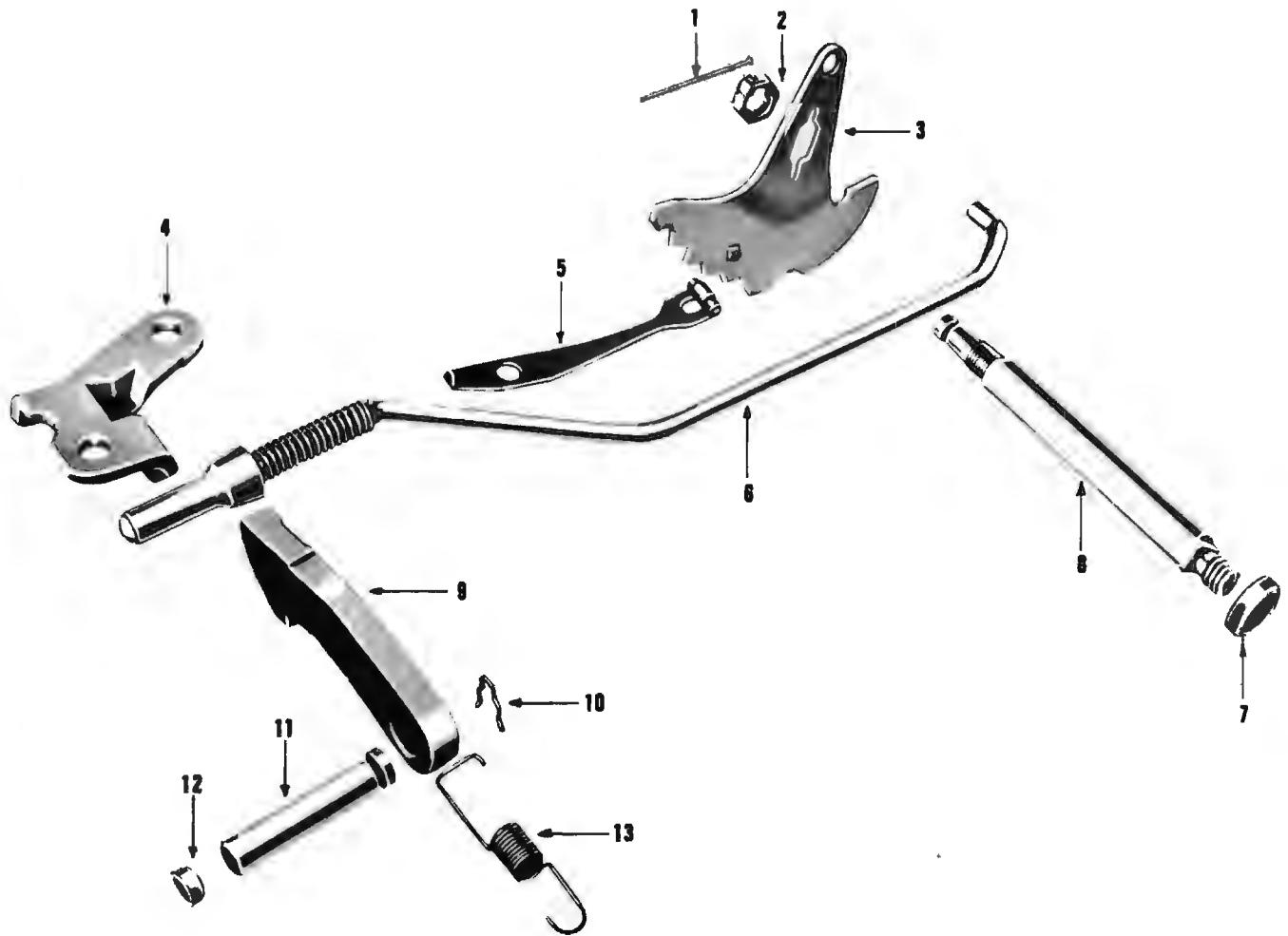
PUMP ASSEMBLY

| Part No. | Part Name | Qty. | Group | Illus. Ref. No. | Part Name | Part No. | Qty. | Group |
|----------|--|---------|-------|-----------------|--|----------|------|-------|
| 1. | JODY ASSEMBLY – Pump | 8625954 | 1 | 4.226 | 6. SPRING – Regulator | 8625648 | 1 | 4.226 |
| 2. | COVER ASSEMBLY – Pump | 8625955 | 1 | 4.226 | 7. WASHER – Reg. spring retainer | 8623039 | 1 | 4.226 |
| 3. | PLUG – Regulator valve | 8623292 | 1 | 4.226 | 8. SPACER – Regulator spring | 8623368 | AR | 4.226 |
| 4. | RING – Regulator bushing retainer | 274613 | 1 | 4.226 | 9. VALVE & PLUG ASSY. – Pressure regulator | 8623422 | 1 | 4.226 |
| 5. | BUSHING & VALVE UNIT – Modulator booster | 8625902 | 1 | 4.226 | 10. PIN – Plug retaining | 8623078 | 1 | 4.226 |



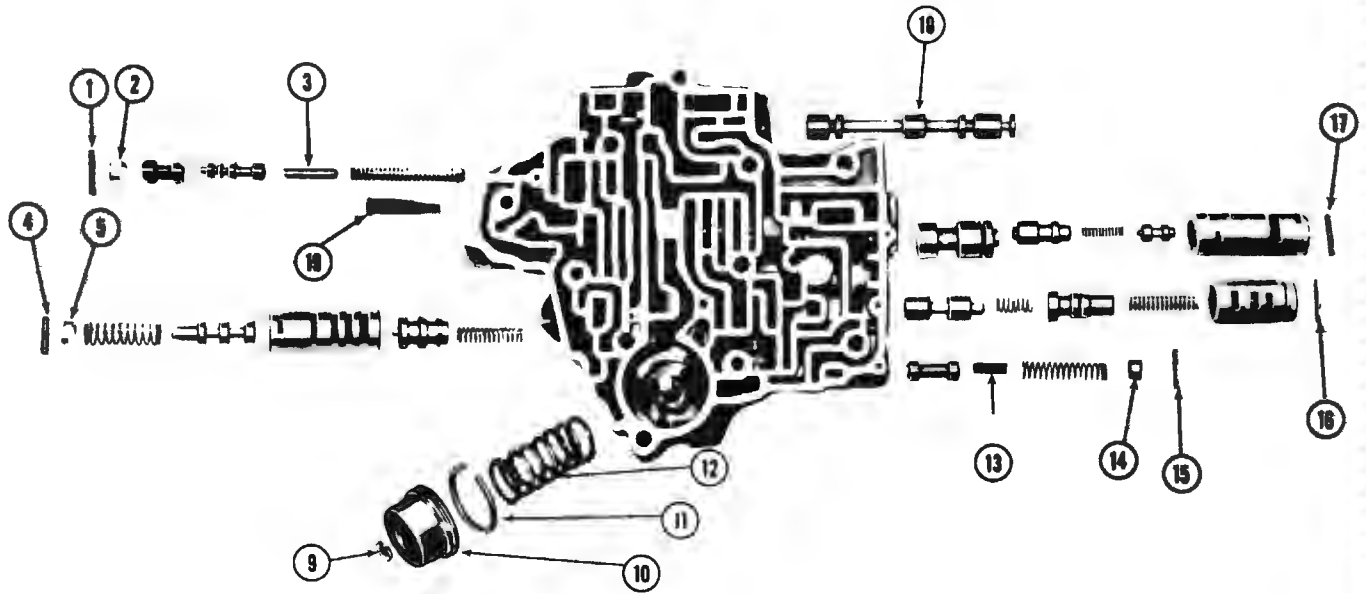
FRONT AND REAR SERVO ACCUMULATOR

| Illus. Ref. No. | Part Name | Part No. | Qty. | Group | Illus. Ref. No. | Part Name | Part No. | Qty. | Group |
|-----------------|---|----------|------|-------|-----------------|---|----------|------|-------|
| 1. | SPRING - Front servo piston | 9623489 | 1 | 4.233 | 11. | WASHER - Rear servo piston | 8623744 | 1 | 4.241 |
| 2. | RETAINER - Front servo spring | 8626881 | 1 | 4.233 | 12. | RING - Accumulator piston oil seal inner | 8623671 | 1 | 4.242 |
| 3. | PIN - Front servo piston | 8626879 | 1 | 4.228 | 13. | PISTON - Rear servo accumulator .. | 8626902 | 1 | 4.241 |
| 4. | RING - Front servo spring retainer | 8626884 | 1 | 4.228 | 14. | RING - Accumulator piston oil seal outer | 8627153 | 1 | 4.242 |
| 5. | PISTON - Front servo | 8626878 | 1 | 4.228 | 15. | SEAL - Rear servo piston | 8623430 | 1 | 4.242 |
| 6. | RING - Front servo piston oil seal | 8623131 | 1 | 4.229 | 16. | PISTON - Rear servo | 8624138 | 1 | 4.241 |
| 7. | SPRING - Rear accumulator | 8624256 | 1 | 4.246 | 17. | RING - Rear servo piston retainer .. | 9413523 | 1 | 4.241 |
| 8. | PIN - Rear band apply (1 Ring) (4.253" O.L.) | 8624139 | AR | 4.241 | 18. | GASKET - Rear servo cover | 8623174 | 1 | 4.241 |
| | (2 Rings) (4.309" O.L.) | 8624140 | AR | 4.241 | 19. | COVER - Rear servo | 8624136 | 1 | 4.241 |
| | (3 Rings) (4.365" O.L.) | 8624141 | AR | 4.241 | 20. | BOLT - Rear servo cover | 179816 | 6 | 8.900 |
| 9. | RETAINER - Rear servo piston spring | 8623664 | 1 | 4.247 | | | | | |
| 10. | SPRING - Rear servo | 8623666 | 1 | 4.246 | | | | | |



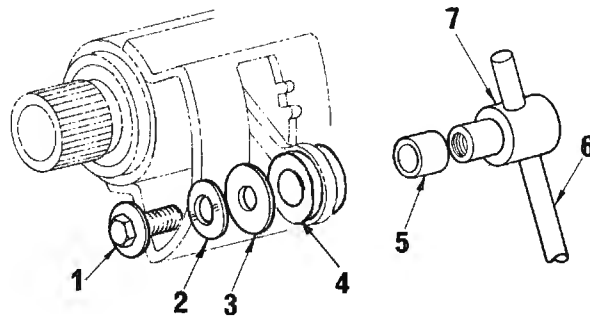
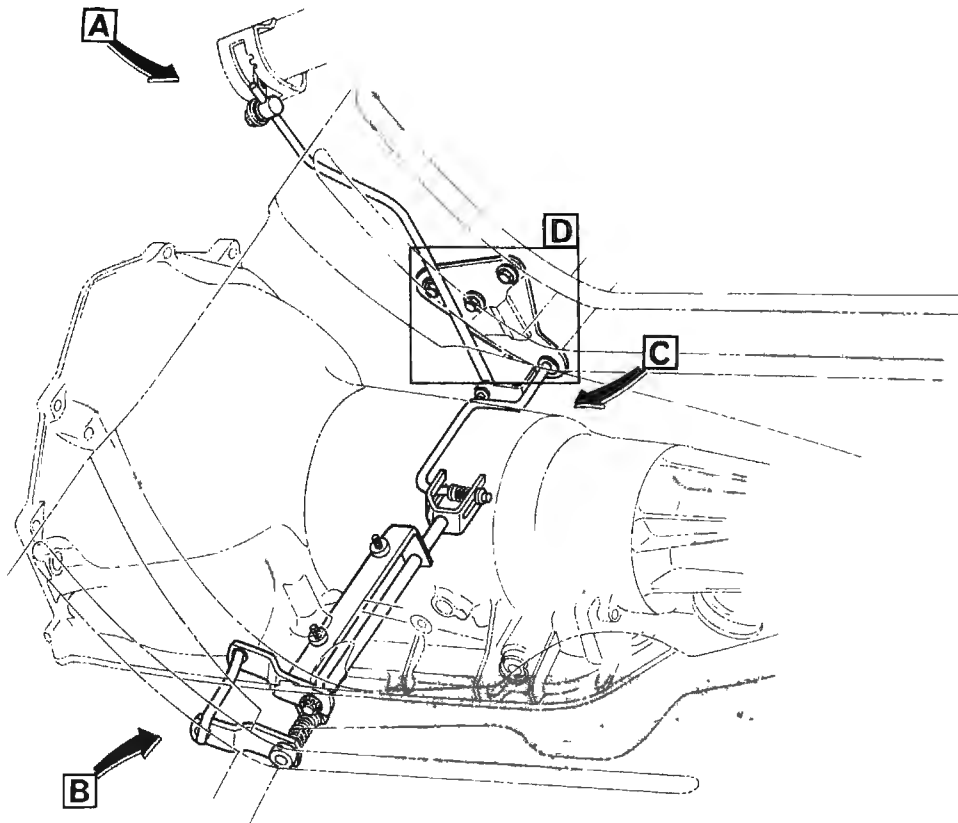
PARKING BRAKE AND INSIDE DETENT LEVER

| Illus. Ref. No. | Part Name | Part No. | Qty. | Group | Illus. Ref. No. | Part Name | Part No. | Qty. | Group |
|-----------------|-------------------------------|----------|------|-------|-----------------|-----------------------------------|----------|------|-------|
| 1. | PIN - Parking brake nut | 8623232 | 1 | 4.275 | 8. | SHAFT | 8623714 | 1 | 4.275 |
| 2. | NUT - Hexagon, slotted | 117212 | 1 | 8.217 | 9. | PAWL | 8623037 | 1 | 4.294 |
| 3. | LEVER & PIN ASSEMBLY | 8624336 | 1 | 4.279 | 10. | RETAINER - Pawl to shaft | 148148 | 1 | 4.294 |
| 4. | BRACKET | 8623042 | 1 | 4.294 | 11. | SHAFT & PLUG PKG. - Pawl | 8624976 | 1 | 4.294 |
| 5. | ROLLER & SPRING | 8625773 | 1 | 4.294 | 12. | PLUG - Pawl shaft bore hole | 8620318 | 1 | 4.294 |
| 6. | ACTUATOR ASSEMBLY | 8624091 | 1 | 4.294 | 13. | SPRING - Return | 8623041 | 1 | 4.295 |
| 7. | SEAL - Shaft | 8623056 | 1 | 4.275 | | | | | |



VALVE BODY

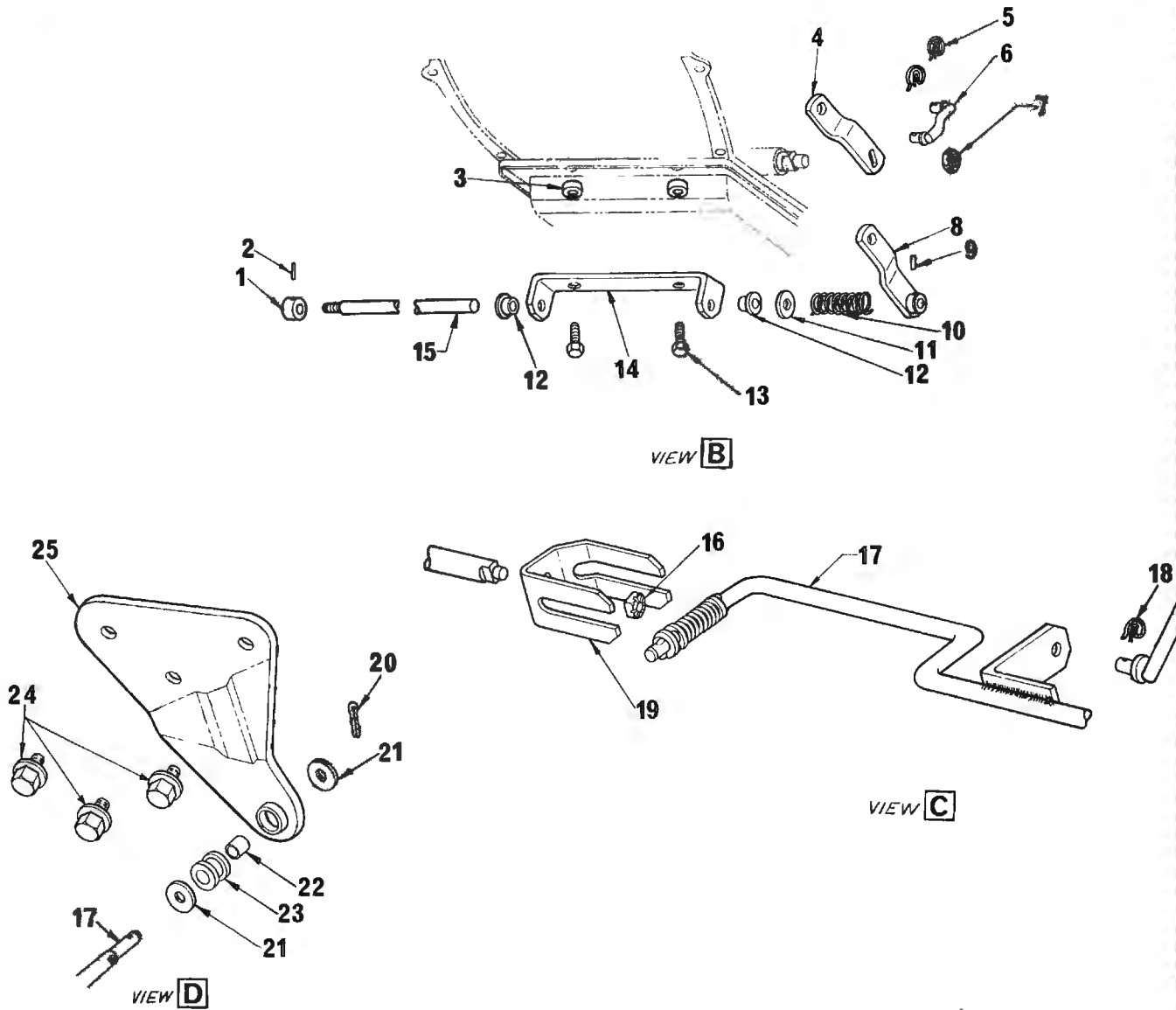
| Illus. Ref. No. | Part Name | Part No. | Qty. | Group | Illus. Ref. No. | Part Name | Part No. | Qty. | Group |
|-----------------|--|----------|------|-------|-----------------|--|----------|------|-------|
| 1. | PIN - Body, .125" OD x 1.03" (Coiled Spring) | 8624482 | 1 | 4.265 | 12. | SPRING - Front accumulator piston .. | 8623654 | 1 | 4.233 |
| 2. | PLUG - Detent valve | 8623295 | 1 | 4.265 | 13. | PIN - Third to second valve | 8623583 | 1 | 4.265 |
| 3. | PIN - Detent regulator valve | 8623507 | 1 | 4.265 | 14. | PLUG - Three two valve | 8623298 | 1 | 4.265 |
| 4. | PIN - Bore plug retaining | 8625544 | 1 | 4.265 | 15. | PIN - Body, .125" Dia. x .82" Straight | 8622045 | 1 | 4.265 |
| 5. | PLUG - One two accumulator | 8625546 | 1 | 4.265 | 16. | PIN - Body, .125" Dia. x 1.32" Straight | 8623078 | 1 | 4.265 |
| 9. | RING - Front accumulator piston retaining | 9412978 | 1 | 4.233 | 17. | PIN - Body, .125" OD x 1.03" (Coiled Spring) | 8624482 | 1 | 4.265 |
| 10. | PISTON - Front accumulator | 8626883 | 1 | 4.228 | 18. | VALVE - Manual control | 8623592 | 1 | 4.265 |
| 11. | RING - Front accumulator piston oil seal | 8623653 | 1 | 4.229 | 19. | SCREEN ASSY. - Pipe hole | 8626876 | 1 | 4.248 |



VIEW **A**

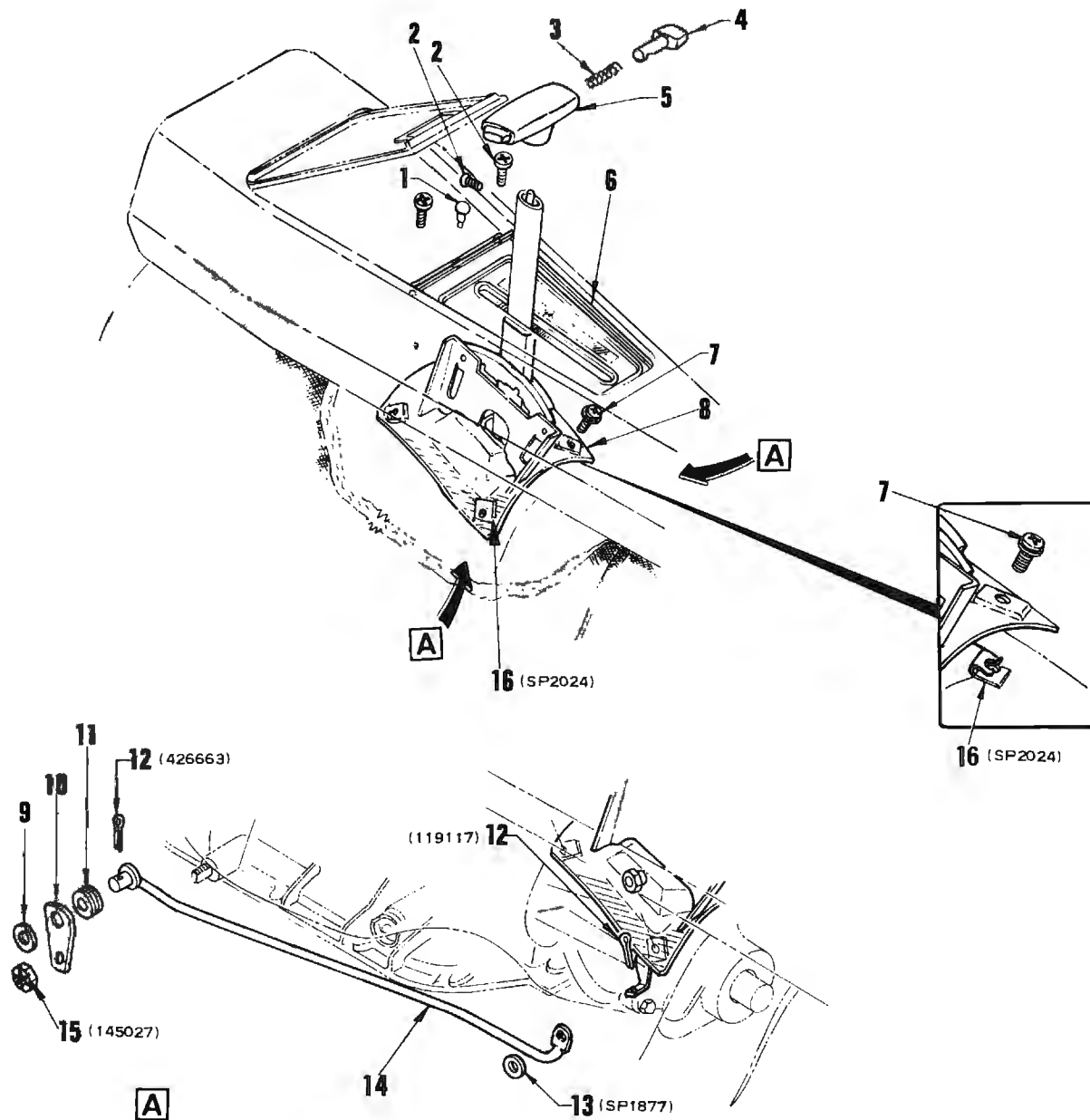
**GEAR SHIFT CONTROL
(COLUMN SHIFT)**

| ILLUS. REF. NO. | PART NAME | GROUP | ILLUS. REF. NO. | PART NAME | GROUP |
|-----------------|-------------------------|-------|-----------------|-------------------------------|-------|
| 1. | SCREW — Rod clamp | 4.040 | 5. | SLEEVE — Trunnion | 4.040 |
| 2. | WASHER — Spring | 4.040 | 6. | ROD ASSEMBLY | 4.040 |
| 3. | WASHER | 4.040 | 7. | TRUNNION — Rod to lever | 4.040 |
| 4. | INSULATOR | 4.040 | | | |



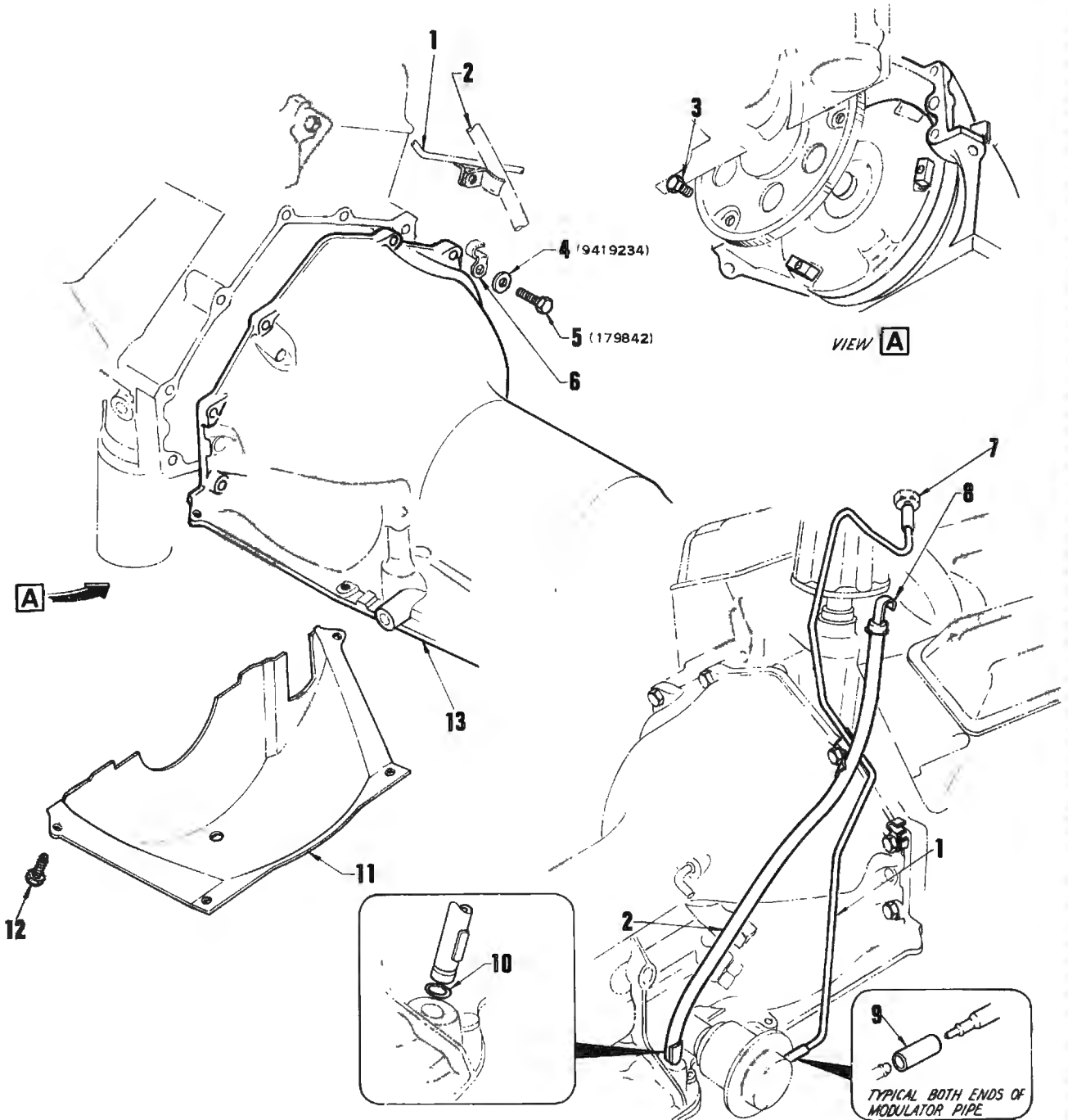
**GEARSHIFT CONTROL
(COLUMN SHIFT)**

| ILLUS. REF. NO. | PART NAME | GROUP | ILLUS. REF. NO. | PART NAME | GROUP |
|-----------------|--|-------|-----------------|--|-------|
| 1. | RETAINER - Cross shaft | 4.040 | 14. | BRACKET - Cross shaft mounting | 4.040 |
| 2. | PIN - Retainer to cross shaft | 4.040 | 15. | SHAFT - Control cross | 4.040 |
| 3. | SPACER - Cross shaft mounting bracket .. | 4.040 | 16. | NUT - Lever to cross shaft | 4.040 |
| 4. | LEVER | 4.041 | 17. | SHAFT & LEVER ASSEMBLY | 4.040 |
| 5. | RETAINER - Link assembly | 4.040 | 18. | RETAINER - Rod to cross shaft | 4.040 |
| 6. | LINK ASSEMBLY | 4.040 | 19. | LEVER - Cross shaft to cross shaft | 4.040 |
| 7. | NUT - Hex. lock 3/8" - 16 | 4.041 | 20. | PIN - Shaft & lever to bracket | 4.040 |
| 8. | LEVER ASSEMBLY - Cross shaft | 4.040 | 21. | WASHER - Shaft & lever to bracket | 4.040 |
| 9. | PIN - Lever to cross shaft | 4.040 | 22. | SLEEVE - Shaft & lever to bracket | 4.040 |
| 10. | SPRING - Cross shaft to bracket | 4.040 | 23. | GROMMET - Shaft & lever to bracket | 4.040 |
| 11. | WASHER - Cross shaft to bracket | 4.040 | 24. | BOLT - Cross shaft support bracket to frame | 4.040 |
| 12. | BUSH - Cross shaft to bracket | 4.040 | 25. | BRACKET - Shaft & lever support | 4.040 |
| 13. | BOLT - Cross shaft bracket | 4.040 | | | |



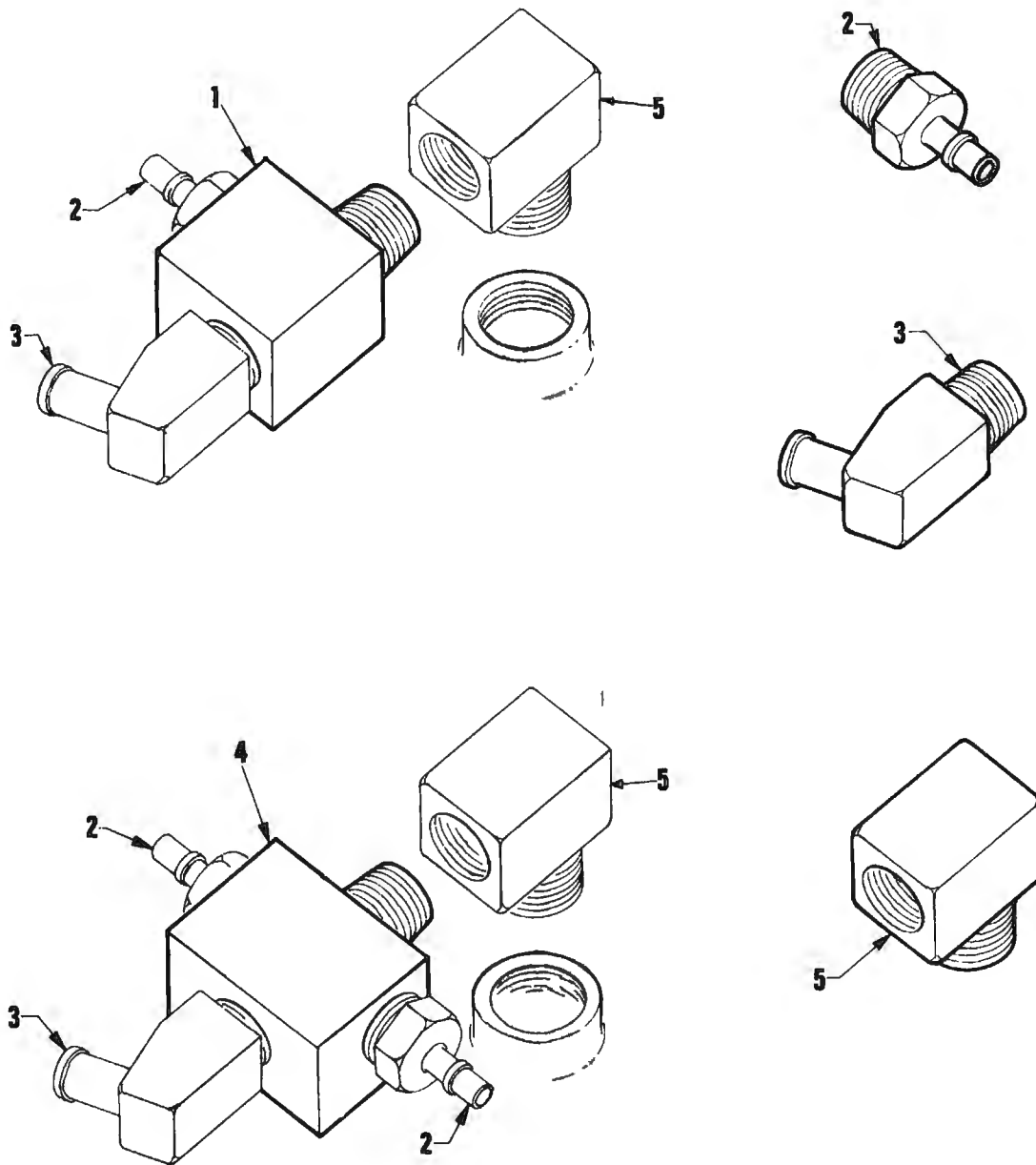
**GEARSHIFT CONTROL
(CONSOLE SHIFT)**

| ILLUS. REF. NO. | PART NAME | GROUP | ILLUS. REF. NO. | PART NAME | GROUP |
|-----------------|----------------------------|--------|-----------------|----------------------------------|-------|
| 1. | BUMPER - Console lid | 15.292 | 9. | WASHER - Special | 4.040 |
| 2. | SCREW - Sheet metal | 8.977 | 10. | LEVER | 4.041 |
| 3. | SPRING | 4.009 | 11. | INSULATOR - Rod to lever | 4.040 |
| 4. | BUTTON | 4.009 | 12. | PIN - Cotter | 8.938 |
| 5. | HANDLE | 4.009 | 13. | WASHER - Flat | 8.929 |
| 6. | COVER - Auto | 15.293 | 14. | ROD ASSEMBLY | 4.040 |
| 7. | BOLT - Hexagon head | 4.010 | 15. | NUT - Hexagon self locking | 8.918 |
| 8. | LEVER & SUPPORT | 4.006 | 16. | NUT - Stamped | 8.921 |



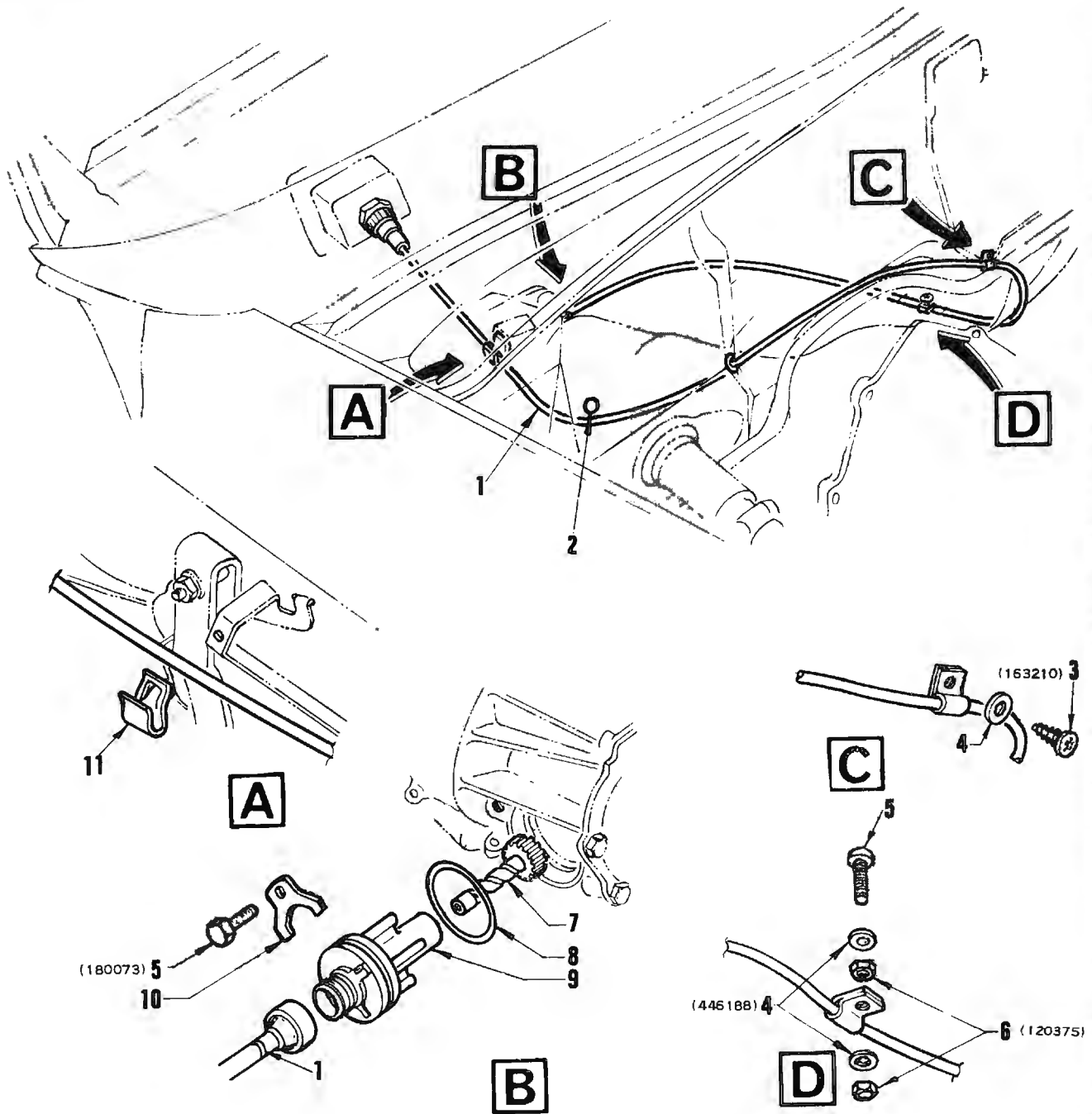
VACUUM MODULATOR and OIL FILLER

| ILLUS. REF. NO. | PART NAME | GROUP | ILLUS. REF. NO. | PART NAME | GROUP |
|-----------------|---------------------------------------|-------|-----------------|--|-------|
| 1. | PIPE | 4.205 | 8. | INDICATOR ASSEMBLY - Oil level | 4.133 |
| 2. | TUBE ASSEMBLY - Oil filler | 4.133 | 9. | SLEEVE - Pipe to connector & modulator | 4.205 |
| 3. | BOLT - Converter to drive plate | 4.156 | 10. | SEAL - Tube to case | 4.133 |
| 4. | WASHER - Flat | 8.929 | 11. | COVER - Converter housing lower | 0.679 |
| 5. | BOLT - Hexagon head | 8.900 | 12. | SCREW - Cover to housing | 0.679 |
| 6. | CLIP - Harness to engine | 2.555 | 13. | TRANSMISSION ASSEMBLY | 4.003 |
| 7. | CONNECTOR | 4.205 | | | |



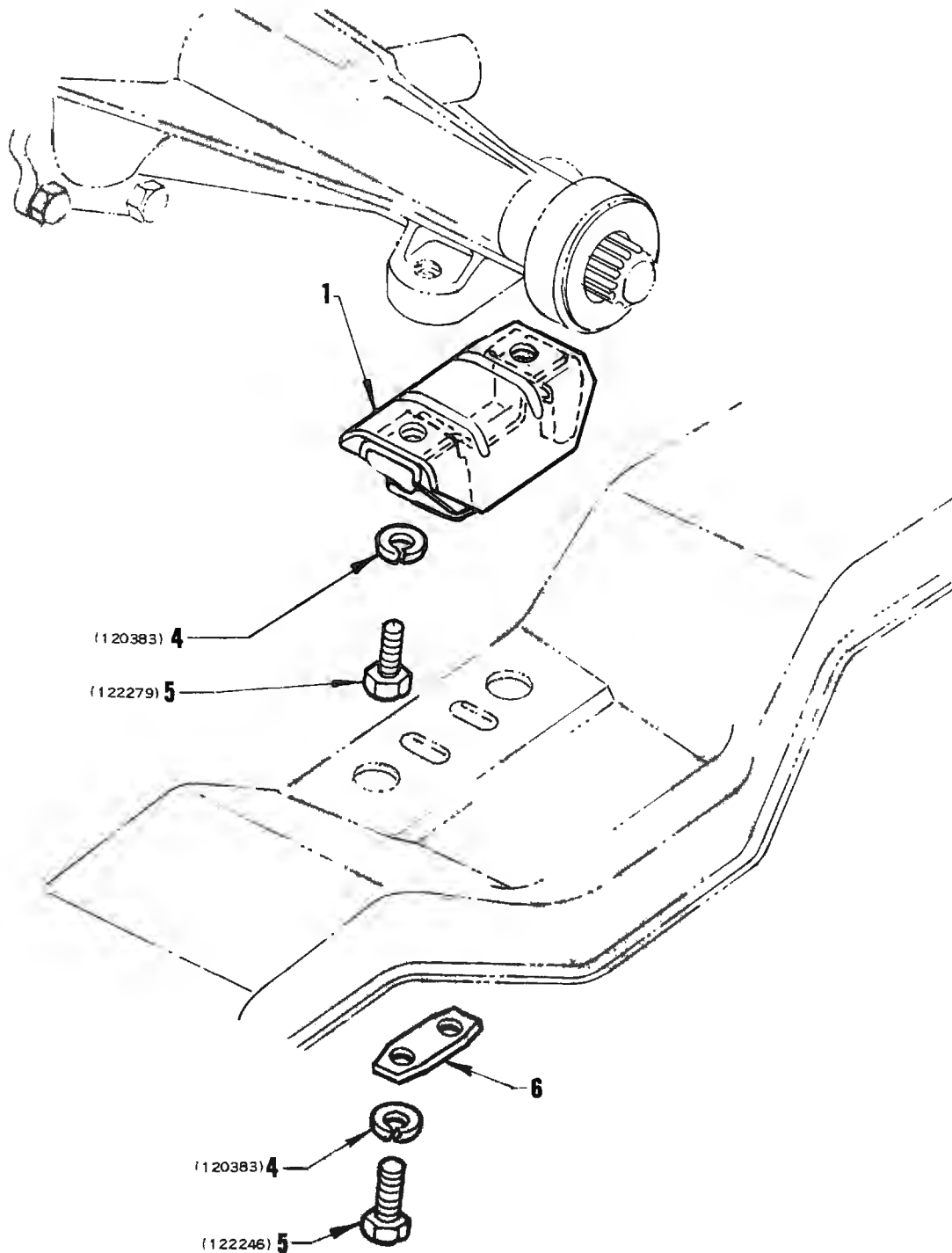
MANIFOLD VACUUM FITTINGS

| ILLUS. REF. NO. | PART NAME | PART NO. | GROUP | ILLUS. REF. NO. | PART NAME | PART NO. | GROUP |
|-----------------|---|----------|-------|-----------------|---|----------|-------|
| 1. | ADAPTOR – Pipe to modulator, 2 way | 2818821 | 4.205 | 4. | ADAPTOR – Pipe to modulator, 3 way | 2818168 | 4.205 |
| 2. | CONNECTOR | 2819593 | 4.205 | 5. | ADAPTOR – Inlet manifold | 2819959 | 4.205 |
| 3. | ELBOW – Manifold | 7406788 | 4.931 | | | | |



SPEEDOMETER CABLE and GEAR

| ILLUS. REF. NO. | PART NAME | GROUP | ILLUS. REF. NO. | PART NAME | GROUP |
|-----------------|---------------------------|--------|-----------------|---|-------|
| 1. | CABLE ASSEMBLY | 4.342 | 7. | GEAR — Speedometer driven | 4.337 |
| 2. | SEAL — Dash panel | 12.803 | 8. | SEAL — Driven gear sleeve | 4.338 |
| 3. | SCREW — Sheet metal | 8.977 | 9. | SLEEVE & SEAL ASSEMBLY | 4.338 |
| 4. | WASHER — Flat | 8.929 | 10. | RETAINER — Sleeve | 4.338 |
| 5. | BOLT — Pan head | 8.910 | 11. | CLIP — Cable to brake pedal bracket | 4.342 |
| 6. | NUT — Hexagon | 8.915 | | | |



TRANSMISSION MOUNTING

| ILLUS. REF. NO. | PART NAME | GROUP | ILLUS. REF. NO. | PART NAME | GROUP |
|-----------------|-------------------------|-------|-----------------|---|-------|
| 1. | MOUNTING ASSEMBLY | 4.081 | 5. | BOLT — Hexagon head | 8.900 |
| 4. | WASHER — Lock | 8.931 | 6. | SPACER — Mounting to cross member | 4.081 |

| GROUP | DESCRIPTION | MODEL | SIDE | PART No. | QTY. |
|--|---|-----------------------------|------|-----------|------|
| TRANSMISSION ASSEMBLY, "TURBO HYDRA-MATIC" AUTOMATIC, STEERING COLUMN SHIFT, CONSOLE SHIFT FITTED IN VEHICLES EQUIPPED WITH 350 CU. IN. ENGINES | | | | | |
| 4.003 | TRANSMISSION ASSEMBLY | | | | |
| | TRANSMISSION ASSEMBLY | ALL | | 8627302 | 1 |
| | REPAIR KIT | ALL | | 8625967 | 1 |
| 4.005 | GASKET SET, SNAP RING KIT – Transmission | | | | |
| | GASKET & SEAL SET | ALL | | 8625905 | 1 |
| | SNAP RING KIT | ALL | | 8623979 | 1 |
| 4.006 | LEVER ASSEMBLY – Transmission control | | | | |
| | LEVER ASSEMBLY | Steering column shift | | 2815079 | 1 |
| | LEVER & SUPPORT ASSEMBLY | Console shift | | 2818538 | 1 |
| | LEVER ASSEMBLY | Console shift | | 2817027 | 1 |
| | PLUNGER | Console shift | | 2817028 | 1 |
| | SPRING | Console shift | | 2817074 | 1 |
| | DAMPER – Plunger | Console shift | | 2822163 | 1 |
| 4.007 | TUBE ASSEMBLY – Transmission control | | | | |
| | TUBE ASSY. | Steering column shift | | 2812257 | 1 |
| | PIN | Steering column shift | | 7429551 | 1 |
| 4.009 | KNOB, HANDLE, BUTTON, SPRING – Transmission control lever | | | | |
| | KNOB – Trim Nos. 10M, 10N, 10R, 10S, 10T, 10U, 14M, 22R, 24R, 28M, 28N, 28R, 28S, 28U, 30M, 30N, 30R, 30T, 32R, 34M, 34N, 34R, 34T, 36R, 36T (Black) | Steering column shift | | 2813559BA | 1 |
| | KNOB – Trim Nos. 11M, 11N, 11R, 11S, 11T (Saddle) | Steering column shift | | 2813559CA | 1 |
| | KNOB – Trim Nos. 12R (Red) | Steering column shift | | 2813559CB | 1 |
| | KNOB – Trim Nos. 14R (Blue) | Steering column shift | | 2813559CD | 1 |
| | KNOB – Trim Nos. 16R, 16T (Green) | Steering column shift | | 2813559CE | 1 |
| | KNOB – Trim Nos. 18M, 18N, 18R, 18S, 18U (Flax) | Steering column shift | | 2813559CH | 1 |
| | KNOB – Trim Nos. 19M, 19N, 19R, 19S, 19T, 21M, 21N, 21R, 21S, 21T (Brown) | Steering column shift | | 2813559CJ | 1 |
| | KNOB – Trim Nos. 35M, 35N, 35R (Ash) | Steering column shift | | 2813559DD | 1 |
| | KNOB – Trim Nos. 38M, 38N, 38R, 38T, 39M, 39N, 39R, 39T (Chestnut) | Steering column shift | | 2813559DG | 1 |
| | HANDLE | Console shift | | 2815805 | 1 |
| | BUTTON | Console shift | | 2815806 | 1 |
| | SPRING | Console shift | | 2815807 | 1 |
| 4.010 | SUPPORT ASSEMBLY – Transmission control lever | | | | |
| | SUPPORT ASSEMBLY | Console shift | | 2817163 | 1 |
| | BOLT – Support to floor | Console shift | | 7436618 | 4 |
| 4.015 | BOOT, INSULATOR – Transmission control | | | | |
| | BOOT – Lower lever | Console shift | | 2818985 | 1 |
| | INSULATOR – Lever & support to floor | Console shift | | 2824609 | 1 |
| 4.016 | GATE – Transmission control selector | | | | |
| | GATE | Steering column shift | | 2812256 | 1 |
| | GATE | Console shift | | 2817097 | 1 |
| | STOP – Gate | Console shift | | 455481 | 1 |
| 4.017 | SPRING – Lever return | | | | |
| | SPRING | Steering column shift | | 7439930 | 1 |

| GROUP | DESCRIPTION | MODEL | SIDE | PART No. | QTY. |
|--|--|-----------------------------|------|----------|------|
| TRANSMISSION ASSEMBLY, "TURBO HYDRA-MATIC" AUTOMATIC, STEERING COLUMN SHIFT, CONSOLE SHIFT FITTED IN VEHICLES EQUIPPED WITH 350 CU. IN. ENGINES | | | | | |
| 4.018 | SUPPORT – Transmission control | | | | |
| | SUPPORT – Control lever | Steering column shift | | 2816659 | 1 |
| | SPACER – Support | Steering column shift | | 2813557 | 1 |
| 4.038 | POINTER, HOUSING & LENS, SLIDE, DIAL – Transmission control indicator | | | | |
| | POINTER | Steering column shift | | 2816008 | 1 |
| | RETAINER | Steering column shift | | 2816010 | 1 |
| | HOUSING & LENS ASSY. | Steering column shift | | 2816009 | 1 |
| | SCREW – Pointer to column support | Steering column shift | | SP1948 | 1 |
| | POINTER | ALL | | 2820283 | 1 |
| | SLIDE | ALL | | 2820284 | 1 |
| | DIAL | ALL | | 2820287 | 1 |
| | PLATE – Control cover | ALL | | 2820286 | 1 |
| | PLATE – Lamp mounting | ALL | | 2820285 | 1 |
| | BULB – 12 – 16 V. 2 C.P. S.C. | ALL | | 9417863 | 1 |
| 4.040 | SHAFT, LEVER, ROD, INSULATOR – Transmission control | | | | |
| | TRUNNION – Rod to lever | Steering column shift | | 2814030 | 1 |
| | SLEEVE – Trunnion | Steering column shift | | 2814031 | 1 |
| | INSULATOR | Steering column shift | | 2814033 | 1 |
| | WASHER | Steering column shift | | SP2042 | 1 |
| | WASHER – Spring | Steering column shift | | 1367656 | 1 |
| | SCREW – Rod clamp | Steering column shift | | 2814032 | 1 |
| | ROD ASSEMBLY | Steering column shift | | 2822867 | 1 |
| | RETAINER – Rod to cross shaft | Steering column shift | | 3749084 | 1 |
| | SHAFT & LEVER ASSEMBLY | Steering column shift | | 2822868 | 1 |
| | SPRING – Shaft & lever assy. | Steering column shift | | 7448884 | 1 |
| | BRACKET – Shaft lever support | Steering column shift | | 2822869 | 1 |
| | SLEEVE – Shaft & lever to bracket | Steering column shift | | 7427808 | 1 |
| | GROMMET – Shaft & lever to bracket | Steering column shift | | 7427807 | 1 |
| | WASHER – Shaft & lever to bracket | Steering column shift | | SP1445 | 2 |
| | PIN – Shaft & lever to bracket | Steering column shift | | 3749084 | 1 |
| | BOLT – Cross shaft support bracket to frame | Steering column shift | | SP2092 | 3 |
| | LEVER – Cross shaft to cross shaft | Steering column shift | | 2812255 | 1 |
| | NUT Lever to cross shaft | Steering column shift | | 145027 | 1 |
| | RETAINER – Cross shaft | Steering column shift | | 2822091 | 1 |
| | PIN – Retainer to cross shaft | Steering column shift | | 455481 | 1 |
| | SHAFT – Control cross | Steering column shift | | 2822870 | 1 |
| | BRACKET – Cross shaft mounting | Steering column shift | | 2822871 | 1 |
| | BOLT – Cross shaft bracket | Steering column shift | | 122017 | 2 |
| | SPACER – Cross shaft mounting bracket | Steering column shift | | 2822872 | 2 |
| | BUSH – Cross shaft to bracket | Steering column shift | | 7438537 | 2 |
| | WASHER – Cross shaft to bracket | Steering column shift | | SP1528 | 1 |
| | SPRING – Cross shaft to bracket | Steering column shift | | 5258166 | 1 |
| | LEVER ASSEMBLY – Cross shaft | Steering column shift | | 2822873 | 1 |
| | PIN – Lever to cross shaft | Steering column shift | | 455481 | 1 |
| | LINK ASSEMBLY | Steering column shift | | 2822874 | 1 |
| | RETAINER – Link assy. | Steering column shift | | 3749084 | 2 |
| | SHAFT | Console shift | | 2818541 | 1 |
| | BUSH – Shaft | Console shift | | 7438537 | 2 |
| | LEVER – Lower | Console shift | | 2818539 | 1 |
| | NUT – Lever to shaft | Console shift | | 2818544 | 1 |
| | CLIP – Shaft retainer | Console shift | | SP2203 | 1 |
| | ROD ASSEMBLY | Console shift | | 2818503 | 1 |
| | RIVET – Control rod | Console shift | | SP2206 | 1 |
| | INSULATOR – Rod to lever | Console shift | | 7418439 | 1 |
| | WASHER – Special | Console shift | | 7400948 | 1 |

| GROUP | DESCRIPTION | MODEL | SIDE | PART No. | QTY. |
|---|---|-----------------------------|------|---------------------------|------|
| TRANSMISSION ASSEMBLY, "TURBO HYDRA-MATIC" AUTOMATIC, STEERING COLUMN SHIFT, CONSOLE SHIFT | | | | | |
| FITTED IN VEHICLES EQUIPPED WITH 350 CU. IN. ENGINES | | | | | |
| 4.041 | LEVER – Transmission external control | | | | |
| | LEVER | Steering column shift | | 2822093 | 1 |
| | LEVER | Console shift | | 2818540 | 1 |
| | NUT – Hex. lock 3/8" – 16 | ALL | | 145027 | 1 |
| 4.054 | SWITCH ASSEMBLY – Neutral starting and Back-up | | | | |
| | SWITCH ASSEMBLY – Neutral starting | Steering column shift | | 2815222 | 1 |
| | SWITCH ASSEMBLY – Neutral starting | Console shift | | 2819807 | 1 |
| 4.054 | SWITCH ASSEMBLY – Solenoid detent actuating | | | | |
| | SWITCH ASSEMBLY – Solenoid detent actuating | ALL | | 2819605 | 1 |
| | NUT – Solenoid switch to accelerator bracket | ALL | | 858388 | 1 |
| 4.055 | WIRE ASSEMBLY – Neutral starting and Back-up | | | | |
| | WIRE ASSEMBLY – Neutral starting & back-up | Console shift | | 2820311 | 1 |
| | BODY – Panel connector (Short) | Console shift | | 2962448 | 1 |
| | BODY – Terminal 2 way female | Console shift | | 2962679 | 1 |
| | BODY – Terminal 2 way panel | Console shift | | 2962967 | 1 |
| | BODY – Terminal 2 way male | Console shift | | 2977763 | 1 |
| | BODY – Terminal 2 way male | Console shift | | 2973431 | 1 |
| | BODY – Terminal lamp socket | Console shift | | 5297797 | 1 |
| | SPRING – Lamp socket | Console shift | | 2962243 | 1 |
| 4.055 | WIRE ASSEMBLY – Solenoid to dash panel connector | | | | |
| | WIRE ASSEMBLY | Console shift | | 8909393 | 1 |
| | CLIP – Solenoid switch wire to trans. | Console shift | | 1368774 | 1 |
| | CLIP – Solenoid switch wire to dash flange | Console shift | | SP2236 | 1 |
| 4.081 | MOUNTING ASSEMBLY – Transmission support | | | | |
| | MOUNTING ASSEMBLY | ALL | | 2816574 | 1 |
| | SPACER – Mounting to crossmember | ALL | | 7421049 | 1 |
| 4.103 | CASE ASSEMBLY – Transmission | | | | |
| | CASE ASSEMBLY | ALL | | 8624966 | 1 |
| | BUSHING – Case | ALL | | 8623941 | 1 |
| | PLUG – .25" dia. | ALL | | 8611710 | 1 |
| 4.104 | VENT ASSEMBLY – Transmission | | | | |
| | SLEEVE & PIPE ASSEMBLY – Vent | ALL | | 8623425 | 1 |
| 4.123 | SHAFT – Transmission turbine | | | | |
| | SHAFT | ALL | | 8624772 | 1 |
| 4.128 | PIPE – Transmission oil cooler | | | | |
| | PIPE ASSEMBLY – Inlet | ALL | | 2818523 | 1 |
| | PIPE ASSEMBLY – Outlet | ALL | | 2818524 | 1 |
| | CONNECTOR – Pipes to radiator | ALL | | 145475 | 2 |
| | CONNECTOR – Pipes to transmission | ALL | | 8626632 | 2 |
| | GASKET – Connector to transmission | ALL | | 8625422 | 2 |
| | CLIP – Inlet to outlet pipe | ALL | | 3710497 | 3 |
| | CLAMP – Pipe to oil pan | ALL | | (²⁰) 3997718 | 1 |
| | CLAMP – Pipe to oil pan | ALL | | (²¹) 6273312 | 1 |

Note: (²⁰) Identification plate is stamped 71-EH.
 (²¹) Identification plate is stamped 72-EH.

"HQ" PARTS CATALOGUE

| GROUP | DESCRIPTION | MODEL | SIDE | PART No. | QTY. |
|---|---|-----------|------|-------------------------|------|
| TRANSMISSION ASSEMBLY, "TURBO HYDRA-MATIC" AUTOMATIC, STEERING COLUMN SHIFT, CONSOLE SHIFT | | | | | |
| FITTED IN VEHICLES EQUIPPED WITH 350 CU. IN. ENGINES | | | | | |
| 4.133 | TUBE, INDICATOR, SEAL – Transmission oil | | | | |
| | TUBE ASSEMBLY – Oil filler | ALL | | 3974420* | 1 |
| | INDICATOR ASSEMBLY – Oil level | ALL | | 3905449 | 1 |
| | SEAL – Tube to case | ALL | | 6255641 | 1 |
| 4.156 | CONVERTER ASSEMBLY – Transmission | | | | |
| | CONVERTER ASSEMBLY | ALL | | 8623964 | 1 |
| | BOLT – Converter to drive plate | ALL | | 180116 | 3 |
| 4.159 | GEAR, BEARING PACKAGE – Transmission front sun | | | | |
| | GEAR – Sun | ALL | | (²⁰ 8623182 | 1 |
| | GEAR – Sun | ALL | | (²¹ 8626807 | 1 |
| | BEARING PACKAGE – Centre support to sun gear thrust | ALL | | 8623920 | 1 |
| | BEARING PACKAGE – Sun gear to internal gear thrust | ALL | | 8623921 | 1 |
| 4.161 | SHAFT ASSEMBLY – Sun gear | | | | |
| | SHAFT ASSEMBLY | ALL | | 8623177 | 1 |
| | BUSHING – 1.12" O.D. x .50" | ALL | | 8623944 | 2 |
| 4.162 | SUPPORT, SPACER, WASHER, RING, BUSHING – Transmission centre support | | | | |
| | SUPPORT ASSEMBLY – Centre with race and plug | ALL | | 8625990 | 1 |
| | BOLT – Case to support | ALL | | 8624009 | 1 |
| | SPACER – Support to case | ALL | | 8626816 | 1 |
| | WASHER – Support to reaction drum thrust | ALL | | 8624783 | 1 |
| | RING – Support to case – snap, beveled | ALL | | 8623437 | 1 |
| | RING – Support oil seal | ALL | | 8623148 | 4 |
| | BUSHING – Support – 1.536" dia. x 3.52" | ALL | | 8623942 | 1 |
| 4.163 | PLATE – Transmission clutch | | | | |
| | PLATE – Forward clutch drive (Composition) | ALL | | 8623483 | 5 |
| | PLATE – Forward clutch driven (Steel) (14 teeth) | ALL | | 8623849 | 4 |
| | PLATE – Forward clutch driven (Wave) (14 teeth) | ALL | | 8623851 | 1 |
| | PLATE – Direct clutch backing | ALL | | 8623122 | 1 |
| | PLATE – Direct clutch drive (Composition) | ALL | | 8623483 | 5 |
| | PLATE – Direct clutch driven (Steel) (14 teeth) | ALL | | 8625197 | 4 |
| | PLATE – Direct clutch driven (Wave) (14 teeth) | ALL | | 8623851 | 1 |
| | PLATE – Intermediate clutch backing | ALL | | 8623152 | 1 |
| | PLATE – Intermediate clutch drive (Composition) (47 teeth) | ALL | | 8623151 | 3 |
| | PLATE – Intermediate clutch reaction | ALL | | 8623150 | 2 |
| | PLATE – Intermediate clutch reaction (Wave) | ALL | | 8624199 | 1 |
| 4.164 | HUB, RETAINER, RING, SPRING, WASHER – Transmission clutch | | | | |
| | HUB – Forward clutch | ALL | | 8625717 | 1 |
| | RETAINER – Forward clutch spring | ALL | | 8623104 | 1 |
| | RING – Forward clutch to housing spring retainer (Snap) | ALL | | 8623105 | 1 |
| | SPRING – Forward clutch piston release (Green) | ALL | | 8624101 | 16 |
| | WASHER – Forward clutch housing to hub (Thrust) | ALL | | 8624196 | 1 |
| | WASHER – Forward clutch hub to direct clutch hub (Thrust) | ALL | | 8624781 | 1 |
| | RING – Forward clutch to forward clutch housing (Snap) | ALL | | 8623112 | 1 |
| | HUB – Direct clutch driving | ALL | | 8625718 | 1 |

Note: (²⁰ Identification plate is stamped 71-EH.
(²¹ Identification plate is stamped 72-EH.

"HQ" PARTS CATALOGUE

| GROUP | DESCRIPTION | MODEL | SIDE | PART No. | QTY. |
|---|--|-----------|------|-------------------------|------|
| TRANSMISSION ASSEMBLY, "TURBO HYDRA-MATIC" AUTOMATIC, STEERING COLUMN SHIFT, CONSOLE SHIFT | | | | | |
| FITTED IN VEHICLES EQUIPPED WITH 350 CU. IN. ENGINES | | | | | |
| 4.164 | HUB, RETAINER, RING, SPRING, WASHER – Transmission clutch (contd.) | | | | |
| | RETAINER – Direct clutch spring | ALL | | 8623104 | 1 |
| | RING – Direct clutch to housing spring retainer (Snap) | ALL | | 8623105 | 1 |
| | SPRING – Direct clutch piston release (Red) | ALL | | 8624073 | 14 |
| | RING – Direct clutch to direct clutch housing (Snap) | ALL | | 8623112 | 1 |
| | RETAINER – Intermediate clutch spring | ALL | | 8623146 | 1 |
| | RING – Intermediate clutch spring retainer to support (Snap) (3" I.D.) | ALL | | 8623153 | 1 |
| | RING – Intermediate clutch spring retainer (Snap) (Flat) (7.10" I.D.) | ALL | | 8623149 | 1 |
| | SPRING – Intermediate clutch piston release (Plain) | ALL | | 8623145 | 3 |
| 4.166 | PISTON, SEAL PACKAGE – Transmission clutch | | | | |
| | PISTON ASSEMBLY – Direct clutch | ALL | | 8625514 | 1 |
| | PISTON – Intermediate clutch | ALL | | 8624210 | 1 |
| | PISTON – Forward clutch | ALL | | 8624016 | 1 |
| | SEAL PACKAGE – Intermediate clutch piston | ALL | | 8623918 | 1 |
| | SEAL PACKAGE – Forward & direct clutch piston | ALL | | 8623917 | 2 |
| 4.167 | SPRAG and BUSHING, RETAINER, RING – Transmission intermediate clutch | | | | |
| | SPRAG & BUSHING | ALL | | 8623116 | 1 |
| | RETAINER – Intermediate clutch outer race | ALL | | ⁽⁸⁰⁾ 8623119 | 1 |
| | RETAINER – Intermediate clutch piston | ALL | | ⁽⁸¹⁾ 8627334 | 1 |
| | RING – Sprag retainer to direct clutch housing (Snap) | ALL | | 8623120 | 1 |
| 4.168 | BUSHING, RACE – Transmission intermediate clutch sprag | | | | |
| | BUSHING | ALL | | 8623945 | 2 |
| | RACE – Clutch sprag outer | ALL | | 8623117 | 1 |
| 4.169 | HOUSING, WASHER – Transmission clutch drum | | | | |
| | HOUSING ASSEMBLY – Forward clutch | ALL | | 8624908 | 1 |
| | HOUSING & RACE – Direct clutch | ALL | | ⁽⁸⁰⁾ 8623061 | 1 |
| | HOUSING & RACE – Direct clutch | ALL | | ⁽⁸¹⁾ 8625816 | 1 |
| | WASHER – Oil pump cover to forward clutch housing thrust (Fibre) | | | | |
| | Yellow .060" – .064" thick | ALL | | 8623300 | A.R. |
| | Blue .071" – .075" thick | ALL | | 8623301 | A.R. |
| | Red .082" – .086" thick | ALL | | 8623302 | A.R. |
| | Brown .093" – .097" thick | ALL | | 8623303 | A.R. |
| | Green .104" – .108" thick | ALL | | 8623304 | A.R. |
| | Black .115" – .119" thick | ALL | | 8623305 | A.R. |
| | Purple .126" – .130" thick | ALL | | 8623306 | A.R. |
| 4.172 | SHAFT, RING – Transmission mainshaft | | | | |
| | SHAFT | ALL | | 8625736 | 1 |
| | RING – Mainshaft to internal gear (Snap) | ALL | | 8625221 | 1 |
| 4.175 | CARRIER ASSEMBLY, PINION PACKAGE, SHAFT & BUSHING ASSEMBLY – Transmission output & reaction | | | | |
| | CARRIER ASSEMBLY – Output with pinions | ALL | | 8625957 | 1 |
| | CARRIER ASSEMBLY – Reaction | ALL | | 8625859 | 1 |
| | PINION PACKAGE | ALL | | 8625913 | 2 |
| | SHAFT & BUSHING ASSEMBLY – Output – includes plug | ALL | | ⁽⁸⁰⁾ 8625961 | 1 |
| | SHAFT & BUSHING ASSEMBLY – Output | ALL | | ⁽⁸¹⁾ 8627453 | 1 |
| | PLUG – Output shaft (.34" dia.) | ALL | | ⁽⁸⁰⁾ 8623484 | 1 |
| Note: | ⁽⁸⁰⁾ Identification plate is stamped 71-EH. ⁽⁸¹⁾ Identification plate is stamped 72-EH. | | | | |

| GROUP | DESCRIPTION | MODEL | SIDE | PART No. | QTY. |
|---|--|---------------------|------|----------|------|
| TRANSMISSION ASSEMBLY, "TURBO HYDRA-MATIC" AUTOMATIC, STEERING COLUMN SHIFT, CONSOLE SHIFT | | | | | |
| FITTED IN VEHICLES EQUIPPED WITH 350 CU. IN. ENGINES | | | | | |
| 4.176 | BUSHING, RING, WASHER – Transmission output shaft | | | | |
| | BUSHING – Output shaft | ALL | | 8623943 | 1 |
| | RING – Output shaft (Snap) | ALL | | 8626173 | 1 |
| | WASHER – Output shaft to case front (Thrust) (Bronze) | ALL | | 8626372 | 1 |
| | WASHER – Output shaft to case rear (Thrust) (Steel) .074" – .078" thick (Flat Tabs) | ALL | | 8625401 | 1 |
| | .082" – .0867" thick (Flat Tabs) | ALL | | 8625402 | 1 |
| | .090" – .094" thick (Flat Tabs) | ALL | | 8625403 | 1 |
| | .098" – .102" thick (Stamped 4) (Flat Tabs) | ALL | | 8625404 | 1 |
| | .106" – .110" thick (Stamped 5) | ALL | | 8625405 | 1 |
| | .114" – .118" thick (Stamped 6) (3 Notches – Tabs) | ALL | | 8625406 | 1 |
| 4.176 | RING, WASHER – Transmission front internal gear | | | | |
| | RING – Front internal gear | ALL | | 8626112 | 1 |
| | WASHER – Internal gear to reaction carrier (Thrust) (Bronze) | ALL | | 8626372 | 1 |
| 4.180 | ROLLER ASSEMBLY – Transmission low clutch | | | | |
| | ROLLER ASSEMBLY | ALL | | 8623842 | 1 |
| 4.187 | GEAR, THRUST RACE – Internal | | | | |
| | GEAR – Rear internal mainshaft | ALL | | 8623202 | 1 |
| | THRUST RACE PACKAGE – Rear internal gear to output shaft | ALL | | 8623922 | 1 |
| 4.195 | PAN – Transmission oil | | | | |
| | PAN | ALL | | 8625766 | 1 |
| | SCREW & WASHER ASSEMBLY – To case (3/16" – 18 x 3/8") | ALL | | 3829139 | 13 |
| 4.196 | GASKET – Transmission oil pan | | | | |
| | GASKET | ALL | | 8626931 | 1 |
| 4.205 | PIPE, SLEEVE, CONNECTOR, ADAPTOR – Transmission vacuum modulator | | | | |
| | PIPE – Carb. to trans. vacuum modulator | ALL | | 2819592 | 1 |
| | SLEEVE – Pipe to connector & modulator | ALL | | 7420336 | 2 |
| | CONNECTOR | ALL | | 2819593 | 1 |
| | ADAPTOR – Pipe to modulator – 2 way | Exc. Air Cond. | | 2818821 | 1 |
| | ADAPTOR – Pipe to modulator – 3 way | Air Cond. | | 2818168 | 1 |
| | ADAPTOR – Inlet manifold | ALL | | 2819959 | 1 |
| 4.223 | SEAL – Strainer pipe | | | | |
| | SEAL – 'O' Ring | ALL | | 1363951 | 1 |
| 4.224 | STRAINER ASSEMBLY – Transmission oil | | | | |
| | STRAINER ASSEMBLY | ALL | | 6437741 | 1 |
| | PIPE ASSEMBLY – Strainer intake | ALL | | 8625428 | 1 |
| | BOLT – Strainer to case | ALL | | 8625769 | 1 |
| 4.226 | PUMP COMPONENTS – Transmission oil | | | | |
| | BODY ASSEMBLY | ALL | | 8625954 | 1 |
| | COVER ASSEMBLY | ALL | | 8625955 | 1 |
| | BUSHING – Pump body | ALL | | 8623940 | 1 |
| | BUSHING – Stator shaft, front & rear (1.12" O.D. x .50") | ALL | | 8623944 | 2 |
| | SEAL ASSEMBLY – Body | ALL | | 8625571 | 1 |
| | RING – Pump to forward clutch housing oil seal | ALL | | 8623148 | 2 |

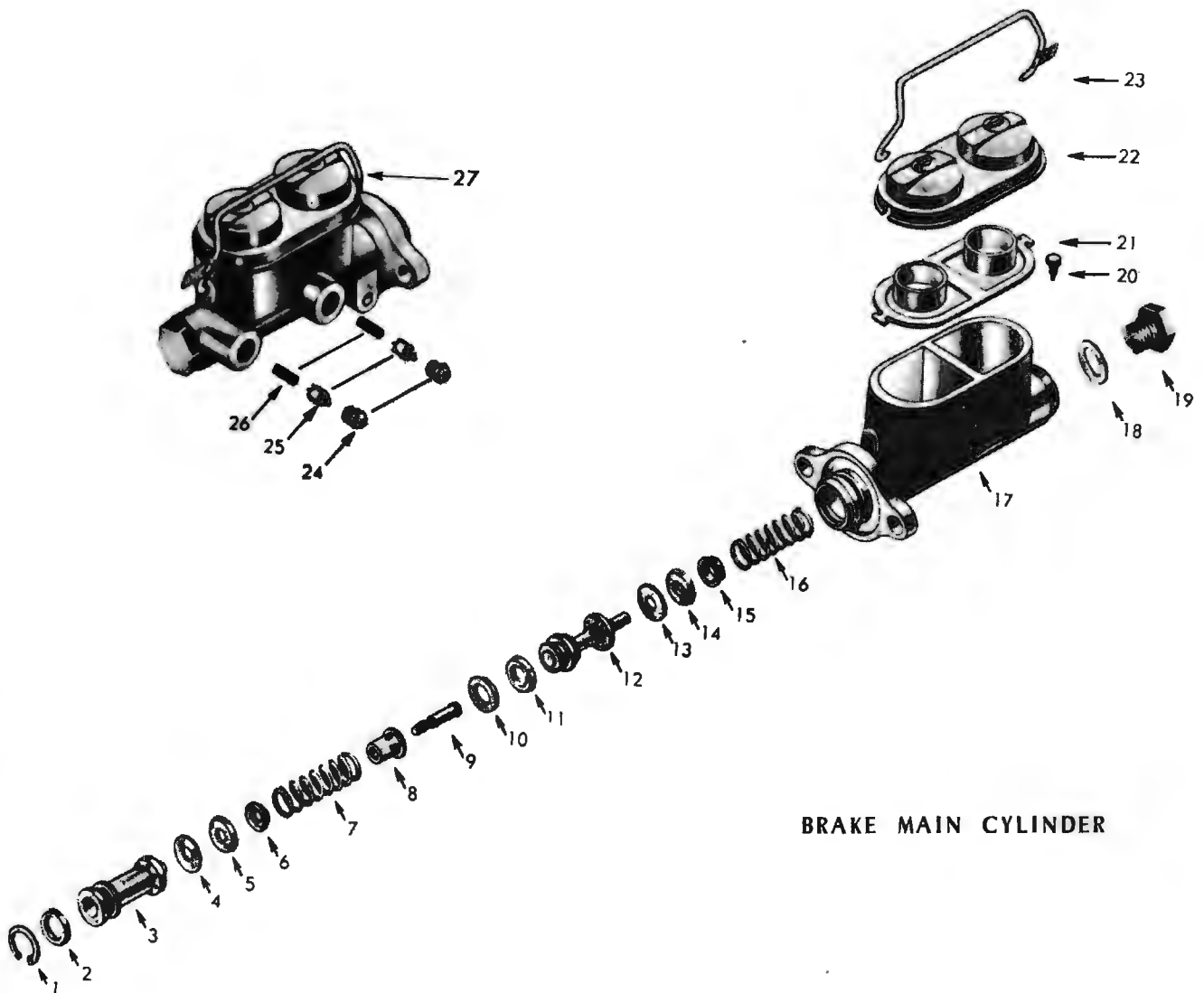
| GROUP | DESCRIPTION | MODEL | SIDE | PART No. | QTY. |
|--|---|-------|------|----------|------|
| TRANSMISSION ASSEMBLY, “TURBO HYDRA-MATIC” AUTOMATIC, STEERING COLUMN SHIFT, CONSOLE SHIFT FITTED IN VEHICLES EQUIPPED WITH 350 CU. IN. ENGINES | | | | | |
| 4.226 | PUMP COMPONENTS – Transmission oil (contd.) | | | | |
| | GASKET – Pump to case | ALL | | 8623978 | 1 |
| | 'O' RING – Pump to case | ALL | | 8626309 | 1 |
| | BOLT – Pump to case – Hex. hd. $\frac{5}{16}$ " – 18 x 1.375" | ALL | | 8626287 | 8 |
| | GASKET – Pump to case bolts | ALL | | 8626281 | 8 |
| | VALVE & PLUG ASSEMBLY – Pressure regulator | ALL | | 8623422 | 1 |
| | PIN – Plug retaining – Straight .12" dia. x .132" | ALL | | 8623078 | 1 |
| | SPACER – Regulator spring | ALL | | 8623368 | A.R. |
| | WASHER – Regulator spring retainer | ALL | | 8623039 | 1 |
| | SPRING – Regulator | ALL | | 8625648 | 1 |
| | BUSHING & VALVE UNIT – Modulator booster | ALL | | 8625902 | 1 |
| | RING – Regulator bushing retainer – $\frac{7}{8}$ " | ALL | | 274613 | 1 |
| | PLUG – Regulator valve – .69" O.D. | ALL | | 8623292 | 1 |
| 4.228 | PISTON, PIN, WASHER – Transmission servo piston | | | | |
| | PISTON – Front servo | ALL | | 8626878 | 1 |
| | PISTON – Front accumulator | ALL | | 8626883 | 1 |
| | PIN – Front servo piston | ALL | | 8626879 | 1 |
| | RING – Front servo spring retainer | ALL | | 8626884 | 1 |
| 4.229 | RING – Transmission piston oil seal | | | | |
| | RING – Front servo piston oil seal | ALL | | 8623131 | 1 |
| | RING – Front accumulator piston oil seal | ALL | | 8623653 | 1 |
| 4.233 | RETAINER, RING, SPRING – Servo and accumulator piston | | | | |
| | RETAINER – Front servo spring | ALL | | 8626881 | 1 |
| | SPRING – Front servo piston | ALL | | 8623489 | 1 |
| | RING – Front accumulator piston retaining | ALL | | 9412978 | 1 |
| | SPRING – Front accumulator piston | ALL | | 8623654 | 1 |
| 4.241 | COVER, GASKET, PIN, PISTON, WASHER – Transmission rear servo | | | | |
| | COVER – Rear servo | ALL | | 8624136 | 1 |
| | GASKET – Rear servo cover | ALL | | 8623174 | 1 |
| | PIN – Rear band apply (1 Ring) (4.253" O.L.) | ALL | | 8624139 | A.R. |
| | PIN – Rear band apply (2 Rings) (4.309" O.L.) | ALL | | 8624140 | A.R. |
| | PIN – Rear band apply (3 Rings) (4.365" O.L.) | ALL | | 8624141 | A.R. |
| | PISTON – Rear servo (6 Ribs) | ALL | | 8624138 | 1 |
| | RING – Rear servo piston retaining (Snap) | ALL | | 9413523 | 1 |
| | WASHER – Rear servo piston | ALL | | 8623744 | 1 |
| | PISTON – Rear servo accumulator | ALL | | 8626902 | 1 |
| 4.242 | RING, SEAL – Transmission rear servo and accumulator piston | | | | |
| | RING – Accumulator piston oil seal inner (1.849" O.D.) | ALL | | 8623671 | 1 |
| | RING – Accumulator piston oil seal outer | ALL | | 8627153 | 1 |
| | SEAL – Rear servo piston | ALL | | 8623430 | 1 |
| 4.246 | SPRING – Transmission rear servo and accumulator | | | | |
| | SPRING – Rear servo | ALL | | 8623666 | 1 |
| | SPRING – Rear accumulator | ALL | | 8624256 | 1 |
| 4.247 | RETAINER – Transmission rear servo piston spring | | | | |
| | RETAINER | ALL | | 8623664 | 1 |

| GROUP | DESCRIPTION | MODEL | SIDE | PART No. | QTY. |
|--|--|-----------|------|------------------------|------|
| TRANSMISSION ASSEMBLY, "TURBO HYDRA-MATIC" AUTOMATIC, STEERING COLUMN SHIFT, CONSOLE SHIFT FITTED IN VEHICLES EQUIPPED WITH 350 CU. IN. ENGINES | | | | | |
| 4.248 | PIPE, SCREEN – Transmission governor oil | | | | |
| | PIPE | ALL | | 8623157 | 2 |
| | SCREEN ASSEMBLY – Pipe hole | ALL | | (^m 8626876 | 1 |
| | SCREEN ASSEMBLY | ALL | | (ⁿ 8627509 | 1 |
| 4.251 | BAND ASSEMBLY – Transmission brake | | | | |
| | BAND ASSEMBLY – Front | ALL | | 8623123 | 1 |
| | BAND ASSEMBLY – Rear (complete) | ALL | | 8623155 | 1 |
| 4.256 | GOVERNOR, COVER, GASKET, GEAR, PIN – Transmission governor | | | | |
| | GOVERNOR ASSEMBLY – Complete | ALL | | (^m 8627007 | 1 |
| | GOVERNOR ASSEMBLY – Complete | ALL | | (ⁿ 8627442 | 1 |
| | COVER – Governor | ALL | | 8623262 | 1 |
| | GASKET – Cover | ALL | | 8623263 | 1 |
| | GEAR & PIN PACKAGE – Driven (less Stop Pin) | ALL | | 8623924 | 1 |
| 4.265 | BODY ASSEMBLY – Valve and components | | | | |
| | VALVE BODY ASSEMBLY – Oil control | ALL | | 8627161 | 1 |
| | VALVE – Manual control | ALL | | 8623592 | 1 |
| | GASKET – Spacer to case | ALL | | 8623563 | 1 |
| | PLATE – Valve body spacer | ALL | | 8625652 | 1 |
| | SOLENOID ASSEMBLY | ALL | | 8623788 | 1 |
| | GASKET – Solenoid valve | ALL | | 8623741 | 1 |
| | CONNECTOR – Downshift solenoid valve | ALL | | 8626252 | 1 |
| | SEAL – 'O' Ring connector sleeve | ALL | | 7417686 | 1 |
| | MODULATOR ASSEMBLY – Vacuum | ALL | | 8625976 | 1 |
| | VALVE – Vacuum modulator | ALL | | 8623983 | 1 |
| | SEAL – Modulator to case | ALL | | 8619568 | 1 |
| | RETAINER – Modulator to case | ALL | | 1357282 | 1 |
| | PIN – Body .125" dia. x .82" (Straight) | ALL | | 8622045 | 1 |
| | PIN – Body .125" dia. x .132" (Straight) | ALL | | 8623078 | 1 |
| | PIN – Body .125" O.D. x 1.03" (Coiled Spring) | ALL | | 8624482 | 2 |
| | PIN – Bore plug retaining .125" O.D. x .82" (Grooved) | ALL | | 8625544 | 1 |
| | PIN – Third to second valve | ALL | | 8623583 | 1 |
| | PIN – Detent regulator valve | ALL | | 8623507 | 1 |
| | PLUG – Detent valve .50" O.D. | ALL | | 8623295 | 1 |
| | PLUG – One two accumulator .56" O.D. | ALL | | 8625546 | 1 |
| | PLUG – Three two valve .437" O.D. | ALL | | 8623298 | 1 |
| 4.275 | SHAFT, SEAL, PIN – Transmission manual range selector | | | | |
| | SHAFT | ALL | | 8623714 | 1 |
| | SEAL – Shaft | ALL | | 8623056 | 1 |
| | PIN – Parking brake nut .090" dia. x 1.88" | ALL | | 8623232 | 1 |
| 4.279 | LEVER and PIN ASSEMBLY – Transmission parking lock inside detent | | | | |
| | LEVER & PIN ASSEMBLY | ALL | | 8624336 | 1 |
| 4.294 | ACTUATOR, BRACKET, ROLLER & SPRING, PAWL, SHAFT – Transmission parking lock | | | | |
| | ACTUATOR ASSEMBLY | ALL | | 8624091 | 1 |
| | BRACKET | ALL | | 8623042 | 1 |
| | ROLLER & SPRING | ALL | | 8625773 | 1 |
| | PAWL | ALL | | 8623037 | 1 |
| | SHAFT & PLUG PACKAGE – Pawl | ALL | | 8624976 | 1 |
| | PLUG – Pawl shaft bore hole – 3/8" | ALL | | 8620318 | 1 |
| | RETAINER – Pawl to shaft – Spring type "A" | ALL | | 148148 | 1 |

Note: (^m Identification plate is stamped 71-EH.
(ⁿ Identification plate is stamped 72-EH.

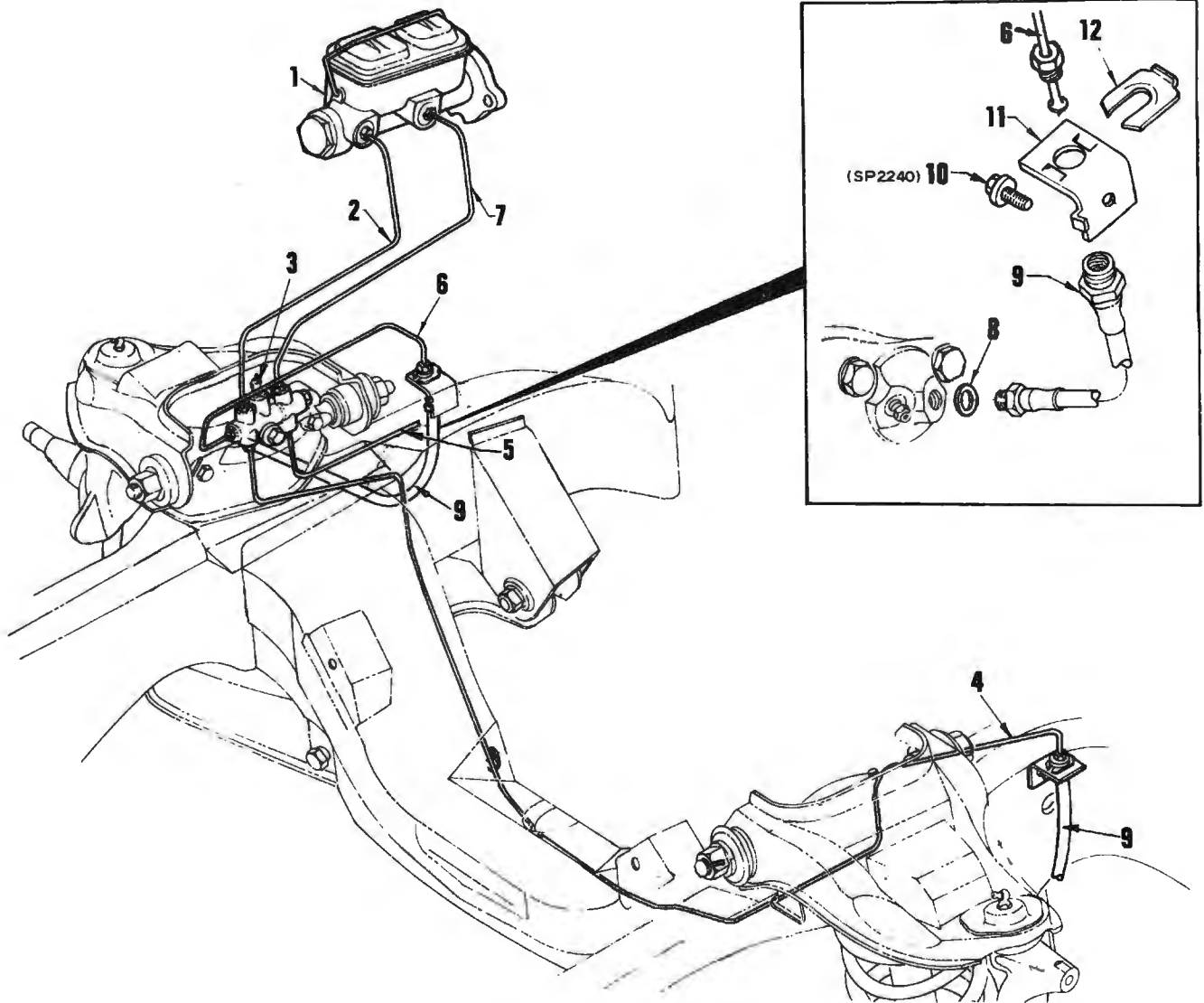
"HQ" PARTS CATALOGUE

| GROUP | DESCRIPTION | MODEL | SIDE | PART No. | QTY. |
|--|--|--|------|----------|------|
| TRANSMISSION ASSEMBLY, "TURBO HYDRA-MATIC" AUTOMATIC, STEERING COLUMN SHIFT, CONSOLE SHIFT FITTED IN VEHICLES EQUIPPED WITH 350 CU. IN. ENGINES | | | | | |
| 4.295 | SPRING – Transmission parking lock pawl return | | | | |
| | SPRING | ALL | | 8623041 | 1 |
| 4.317 | HOUSING, BUSHING, SEAL – Transmission extension | | | | |
| | HOUSING ASSEMBLY | ALL | | 8626785 | 1 |
| | BUSHING - Housing | ALL | | 8626901 | 1 |
| | SEAL - Housing | ALL | | 8625893 | 1 |
| 4.318 | SEAL, GASKET – Transmission extension | | | | |
| | SEAL - Output shaft 'O' Ring | ALL | | 8616504 | 1 |
| | GASKET - Case to extension | ALL | | 8624709 | 1 |
| 4.337 | GEAR, SLEEVE and SEAL, RETAINER – Speedometer driven and drive | | | | |
| | GEAR - Driven - 34 teeth - Light green | 2.78:1 A.R. F78-14, 7.35 x 14 Tyres | | 9774413 | 1 |
| | GEAR - Driven - 35 teeth - Pink | 2.78:1 A.R. 7.35 x 14, EB78S-14, 195 x 14 Tyres | | 9780628 | 1 |
| | GEAR - Driven - 36 teeth - White | 2.78:1 A.R. 185 x 14, 70 x 14 Tyres | | 1359270 | 1 |
| | GEAR - Driven - 38 teeth - Blue | 3.08:1 A.R. F78-14, 7.35 x 14 Tyres | | 1359272 | 1 |
| | GEAR - Driven - 39 teeth - Brown | 3.08:1 A.R. 7.35 x 14, EB78S-14, 195 x 14 Tyres | | 1359273 | 1 |
| | GEAR - Driven - 40 teeth - Black | 3.08:1 A.R. 185 x 14, 70 x 14 Tyres | | 1362048 | 1 |
| | GEAR - Drive - 16 teeth - Orange | ALL | | 8623311 | 1 |
| | SLEEVE & SEAL - Driven gear - use with 34, 35, 36, 38, 39 tooth gears | ALL | | 1362294 | 1 |
| | SLEEVE & SEAL - Driven gear - use with 40 tooth gear | ALL | | 1362293 | 1 |
| | RETAINER - Sleeve | ALL | | 1362215 | 1 |
| 4.338 | SEAL – Speedometer driven gear | | | | |
| | SEAL - Driven gear | ALL | | 1359319 | 1 |
| 4.342 | CABLE ASSEMBLY – Speedometer | | | | |
| | CABLE ASSEMBLY | ALL | | 2817170 | 1 |
| | CABLE KIT | ALL | | VS11992 | |



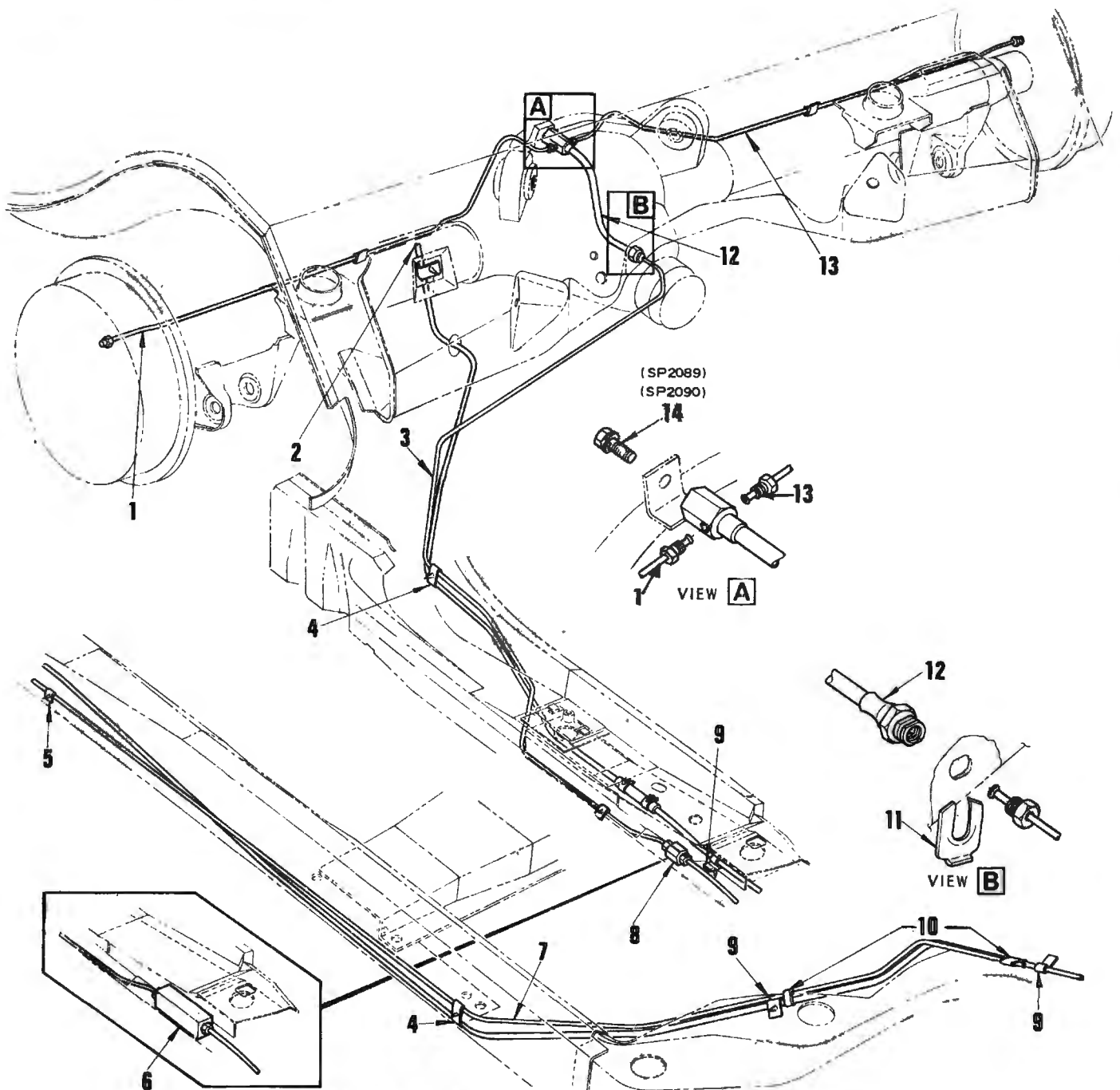
BRAKE MAIN CYLINDER

| Illus. Ref. No. | Part Name | Group | Illus. Ref. No. | Part Name | Group |
|-----------------|--------------------------------|-------|-----------------|-----------------------------|-------|
| 1. | RING—Lock | 4.656 | 15. | SPRING & RETAINER—Secondary | 4.655 |
| 2. | SEAL | 4.654 | 16. | | |
| 3. | PISTON—Primary | 4.653 | 17. | BODY | 4.650 |
| 4. | PROTECTOR | 4.654 | 18. | WASHER—Plug | 4.652 |
| 5. | SEAL | 4.654 | 19. | PLUG | 4.652 |
| 6. | RETAINER—Primary spring | 4.655 | 20. | SCREW—Primary piston stop | 4.653 |
| 7. | SPRING—Primary | 4.655 | 21. | DIAPHRAGM—Cover | 4.651 |
| 8. | STOP—Primary piston | 4.653 | 22. | COVER | 4.651 |
| 9. | SCREW—Primary piston extension | 4.656 | 23. | BAIL—Cover | 4.651 |
| 10. | SEAL | 4.654 | 24. | INSERT—Tube fitting | 4.652 |
| 11. | SEAL | 4.654 | 25. | VALVE ASSEMBLY | 4.657 |
| 12. | PISTON—Secondary | 4.653 | 26. | SPRING—Valve | 4.657 |
| 13. | PROTECTOR | 4.654 | 27. | CYLINDER ASSEMBLY | 4.650 |
| 14. | SEAL | 4.654 | | | |



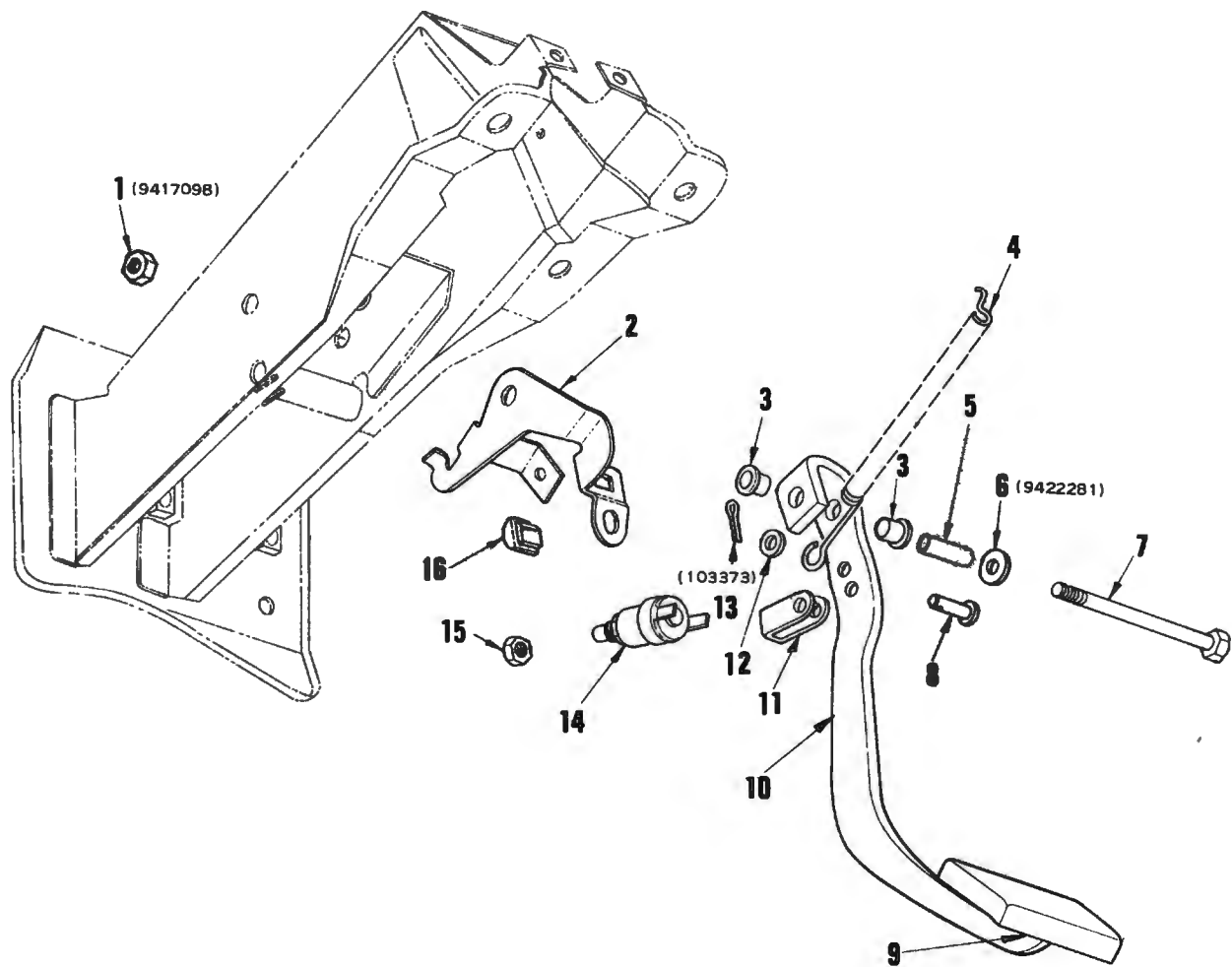
FRONT BRAKE PIPES – Typical

| ILLUS. REF. NO. | PART NAME | GROUP | ILLUS. REF. NO. | PART NAME | GROUP |
|-----------------|---|-------|-----------------|--|-------|
| 1. | CYLINDER ASSEMBLY | 4.650 | 7. | PIPE ASSY. – Main cyl. to rear brake connector | 4.685 |
| 2. | PIPE ASSY. – Main cyl. to front brake connector | 4.685 | 8. | WASHER – Hose to wheel cylinder | 4.680 |
| 3. | CONNECTOR & SWITCH ASSY. – Pressure warning | 4.686 | 9. | HOSE – Front | 4.680 |
| 4. | PIPE ASSY. – Connector to LH front brake | 4.685 | 10. | SCREW – Sheet metal | 8.977 |
| 5. | PIPE ASSY. – Connector to rear connector | 4.685 | 11. | BRACKET – Front brake hose mounting ... | 4.681 |
| 6. | PIPE ASSY. – Connector to RH front brake | 4.685 | 12. | SPRING – Yoke | 4.681 |



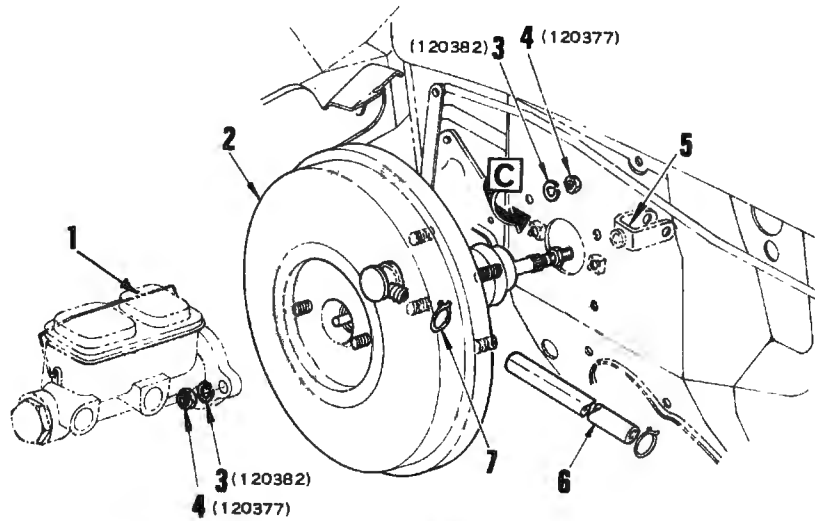
REAR BRAKE and FUEL PIPES – Typical

| ILLUS. REF. NO. | PART NAME | GROUP | ILLUS. REF. NO. | PART NAME | GROUP |
|-----------------|---|-------|-----------------|---|-------|
| 1. | PIPE ASSY. – Hose to RH rear brake | 4.685 | 8. | UNION – Front pipe to rear pipe | 4.686 |
| 2. | PIPE ASSY. – Fuel tank to pump, rear | 3.158 | 9. | CLIP – Front pipe to frame side member brace | 3.202 |
| 3. | PIPE ASSY. – Rear connector to rear hose | 4.685 | 10. | CLIP – Brake pipe to fuel pipe | 4.685 |
| 4. | CLIP – Fuel pipe & brake pipe to underbody & frame | 3.202 | 11. | SPRING – Yoke | 4.681 |
| 5. | CLIP – Front pipe to frame | 4.685 | 12. | HOSE – Rear | 4.680 |
| 6. | VALVE – Brake proportioning | 4.686 | 13. | PIPE ASSY. – Hose to LH rear brake | 4.685 |
| 7. | PIPE ASSY. – Connector to proportioning valve | 4.685 | 14. | BOLT – Hexagon head | 8.900 |

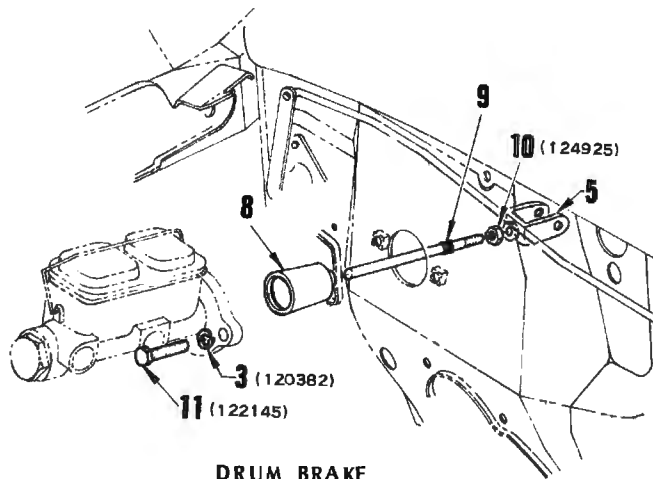


BRAKE PEDAL

| ILLUS. REF. NO. | PART NAME | GROUP | ILLUS. REF. NO. | PART NAME | GROUP |
|-----------------|----------------------------------|-------|-----------------|------------------------------|-------|
| 1. | NUT - Hexagon self locking | 8.918 | 9. | PAD - Pedal | 4.625 |
| 2. | BRACKET - Bumper mounting | 4.625 | 10. | PEDAL ASSEMBLY | 4.625 |
| 3. | BUSHING | 4.626 | 11. | CLEVIS | 4.662 |
| 4. | SPRING | 4.639 | 12. | WASHER | 4.662 |
| 5. | BEARING | 4.626 | 13. | PIN - Cotter | 8.938 |
| 6. | WASHER - Flat | 8.929 | 14. | SWITCH ASSEMBLY | 2.447 |
| 7. | BOLT - Pivot | 4.636 | 15. | NUT - Switch attaching | 2.447 |
| 8. | PIN - Clevis | 4.662 | 16. | BUMPER - Pedal | 4.625 |



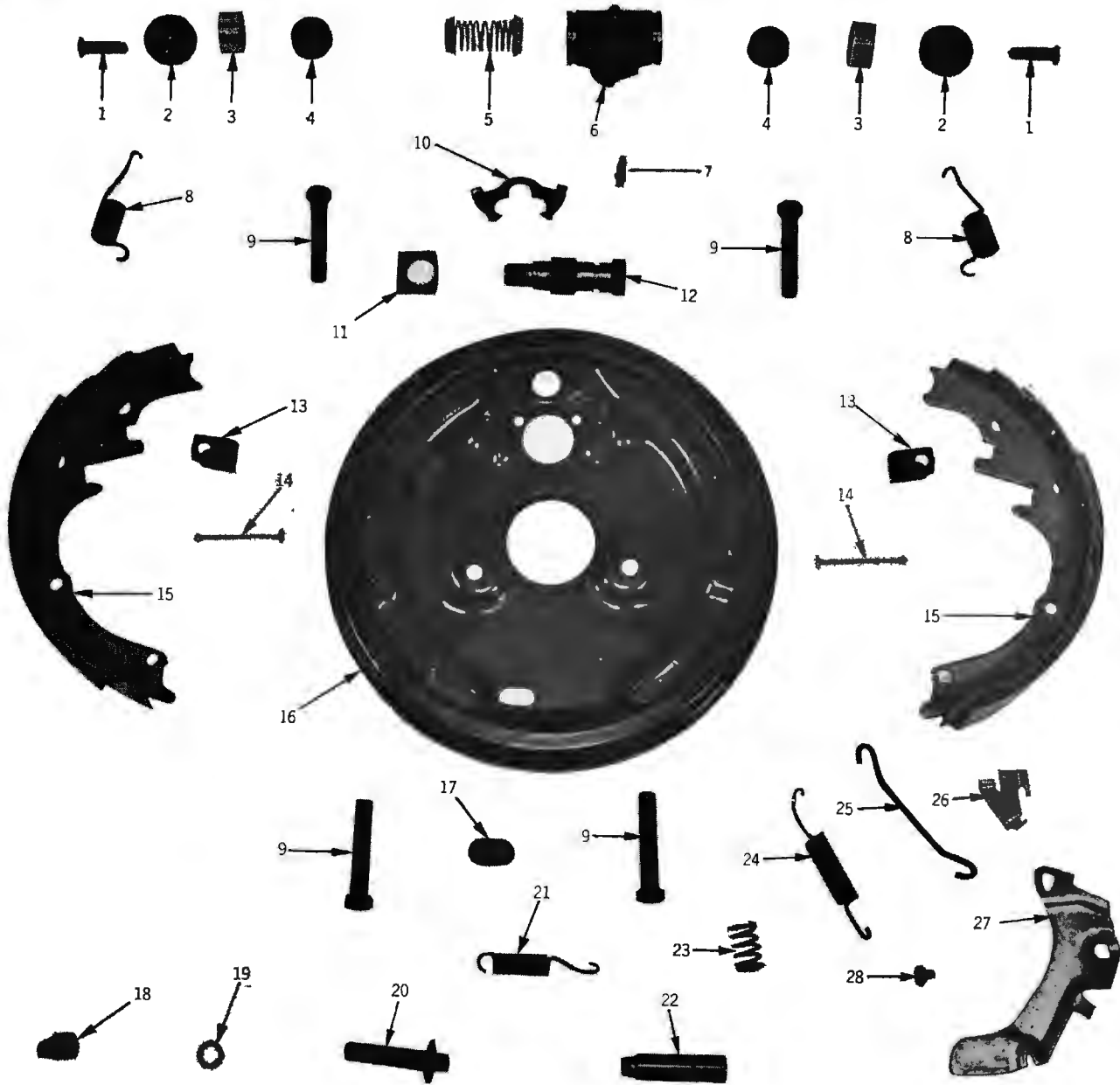
DISC BRAKE



DRUM BRAKE

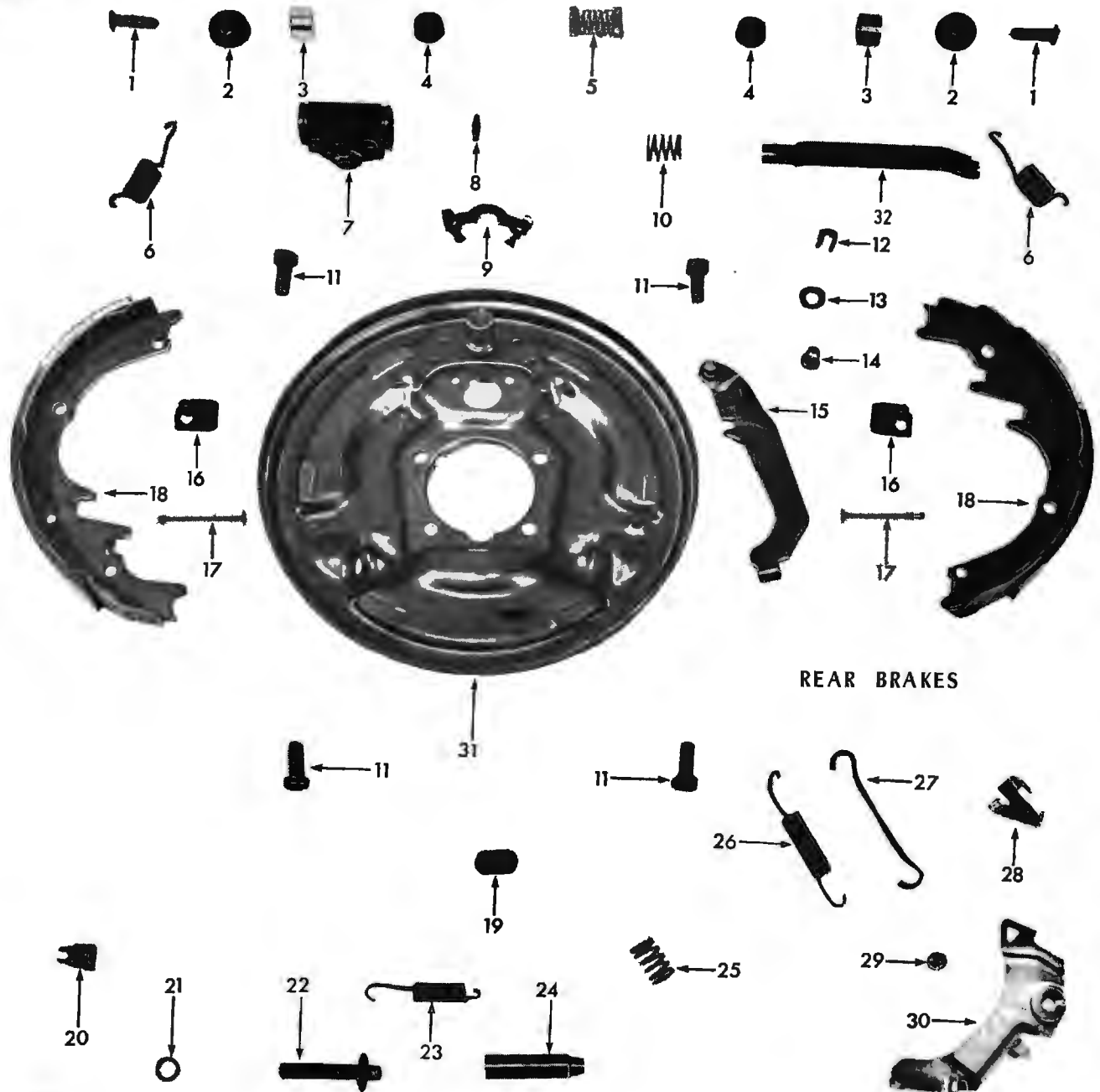
BRAKE BOOSTER

| ILLUS. REF. NO. | PART NAME | GROUP | ILLUS. REF. NO. | PART NAME | GROUP |
|-----------------|-------------------------|-------|-----------------|---------------------------|-------|
| 1. | CYLINDER ASSEMBLY | 4.650 | 7. | CLAMP — Hose | 4.931 |
| 2. | BOOSTER | 4.902 | 8. | BOOT | 4.659 |
| 3. | WASHER — Lock | 8.931 | 9. | ROD | 4.658 |
| 4. | NUT — Hexagon | 8.915 | 10. | NUT — Hexagon jam | 8.916 |
| 5. | CLEVIS | 4.662 | 11. | BOLT — Hexagon head | 8.900 |
| 6. | HOSE | 4.931 | | | |



**FRONT BRAKES
(Duo-Servo Self Adjusting)**

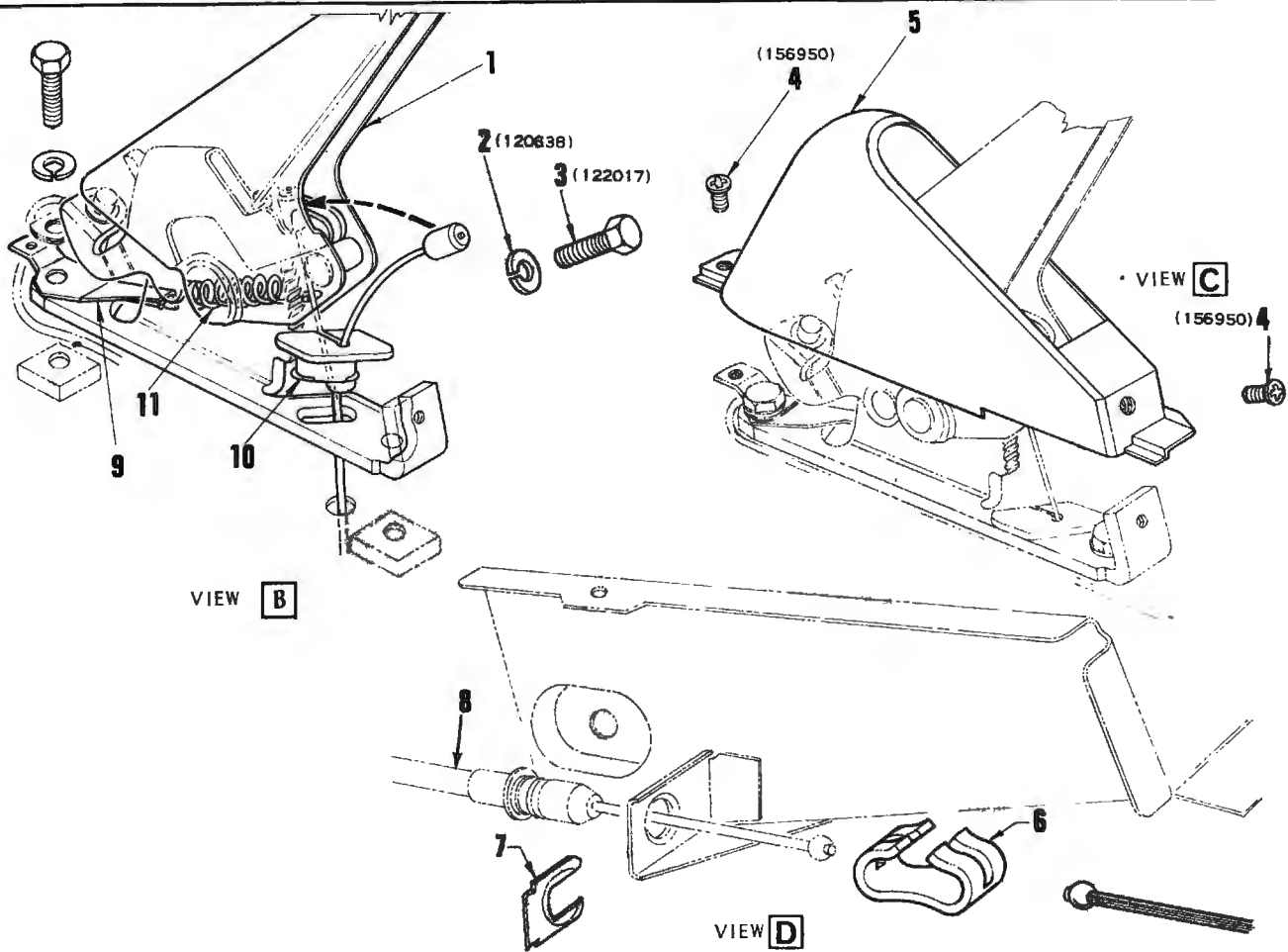
| Illus. Ref. No. | Part Name | Group | Illus. Ref. No. | Part Name | Group | Illus. Ref. No. | Part Name | Group |
|-----------------|--------------------|-------|-----------------|-----------------------|-------|-----------------|-------------------------|-------|
| 1. | LINK—Connecting .. | 4.675 | 11. | PLATE—Anchor pin lock | 5.056 | 20. | SCREW—Adjusting .. | 5.110 |
| 2. | BOOT .. | 4.670 | 12. | PIN—Anchor .. | 5.055 | 21. | SPRING—Adjusting nut .. | 5.026 |
| 3. | PISTON .. | 4.668 | 13. | SPRING—Hold down pin | 5.043 | 22. | NUT—Adjusting .. | 5.111 |
| 4. | CUP .. | 4.667 | 14. | PIN—Shoe hold down .. | 5.041 | 23. | SPRING—Adjuster return | 5.107 |
| 5. | SPRING .. | 4.669 | 15. | SHOE and LINING | 5.017 | 24. | SPRING— | |
| 6. | BODY .. | 4.665 | 16. | PLATE—Backing .. | 5.001 | | Adjuster overload | 5.107 |
| 7. | VALVE—Bleeder .. | 4.666 | 17. | COVER—Adjusting hole | 5.188 | 25. | LINK .. | 5.105 |
| 8. | SPRING—Retractor | 5.026 | 18. | PLUG—Adjusting .. | 5.111 | 26. | PLATE—Lever pivot .. | 5.103 |
| 9. | BOLT—Backing plate | 8.900 | 19. | WASHER— | | 27. | LEVER .. | 5.103 |
| 10. | PLATE—Guide | 5.045 | | Adjusting Screw | 5.110 | 28. | BUSHING .. | 5.103 |



REAR BRAKES

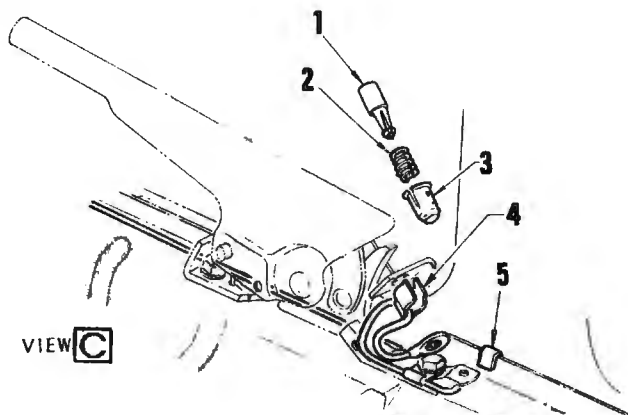
| Illus. Ref. No. | Part Name | Group |
|-----------------|----------------------|-------|
| 1. | LINK—Connecting | 4.675 |
| 2. | BOOT | 4.670 |
| 3. | PISTON | 4.668 |
| 4. | CUP | 4.667 |
| 5. | SPRING | 4.669 |
| 6. | SPRING—Retractor | 5.026 |
| 7. | BODY | 4.665 |
| 8. | VALVE—Bleeder | 4.666 |
| 9. | PLATE—Guide | 5.045 |
| 10. | SPRING—Strut | 5.151 |
| 11. | BOLT—Backing plate | 5.002 |
| 12. | CLIP—Lever retainer | 5.158 |
| 13. | WASHER—Lever to shoe | 5.158 |
| 14. | PIN—Lever | 5.158 |
| 15. | LEVER | 5.149 |
| 16. | SPRING—Hold down pin | 5.043 |

| Illus. Ref. No. | Part Name | Group |
|-----------------|--------------------------|-------|
| 17. | PIN—Shoe hold down | 5.041 |
| 18. | SHOE AND LINING | 5.077 |
| 19. | COVER—Adjusting hole | 5.188 |
| 20. | PLUG—Adjusting | 5.111 |
| 21. | WASHER—Adjusting screw | 5.110 |
| 22. | SCREW—Adjusting | 5.110 |
| 23. | SPRING—Adjusting nut | 5.026 |
| 24. | NUT—Adjusting | 5.111 |
| 25. | SPRING—Adjuster return | 5.107 |
| 26. | SPRING—Adjuster overload | 5.107 |
| 27. | LINK | 5.105 |
| 28. | PLATE—Lever pivot | 5.103 |
| 29. | BUSHING | 5.103 |
| 30. | LEVER | 5.103 |
| 31. | PLATE—Backing | 5.001 |
| 32. | STRUT | 5.150 |

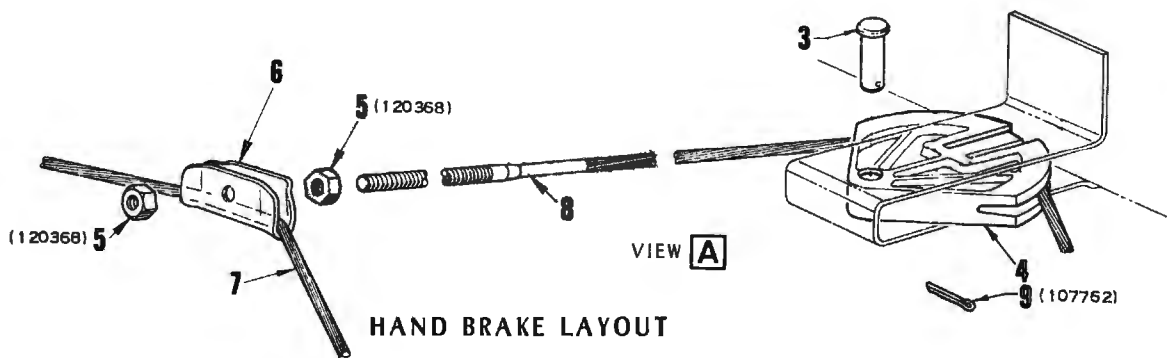
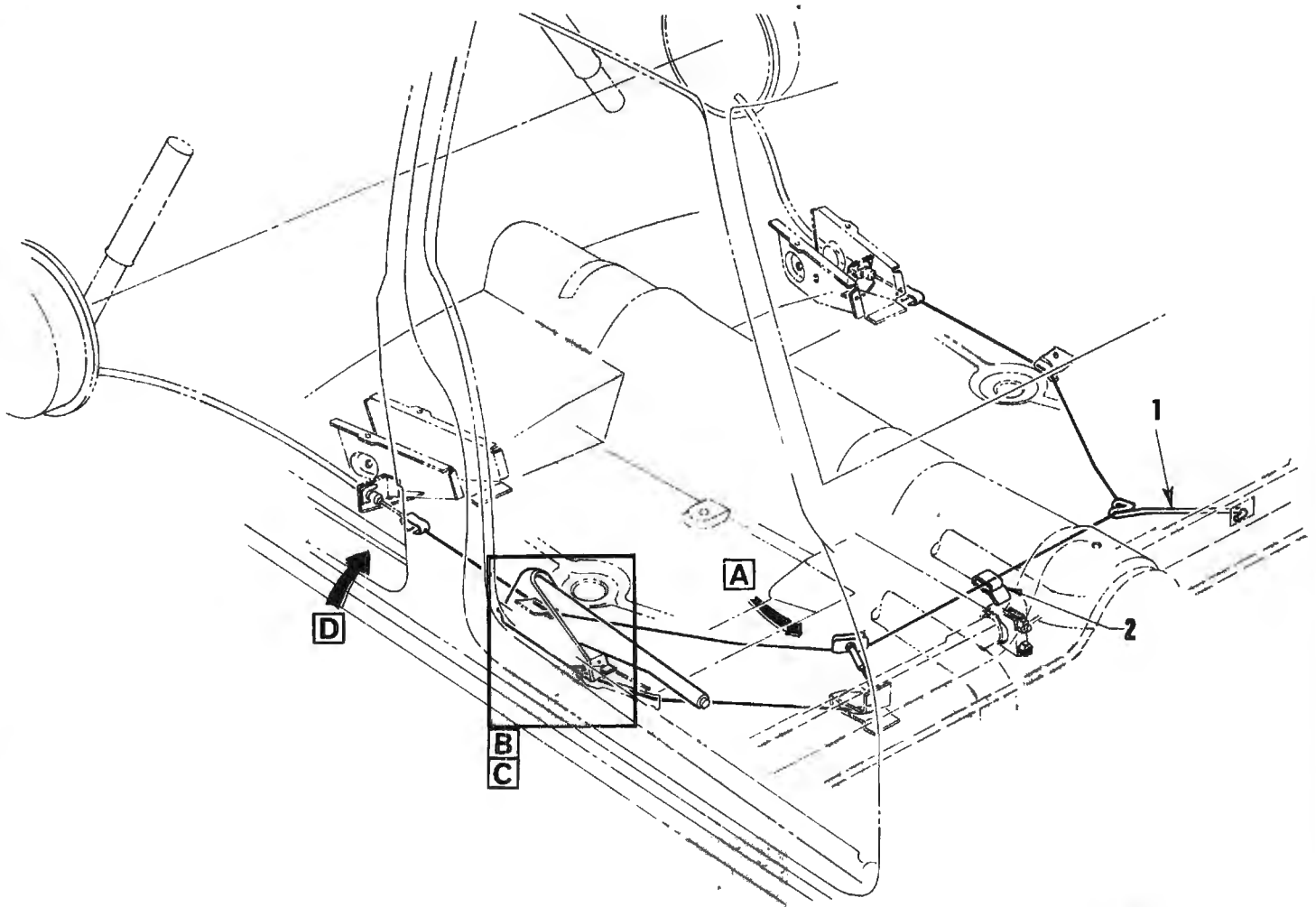


HAND BRAKE

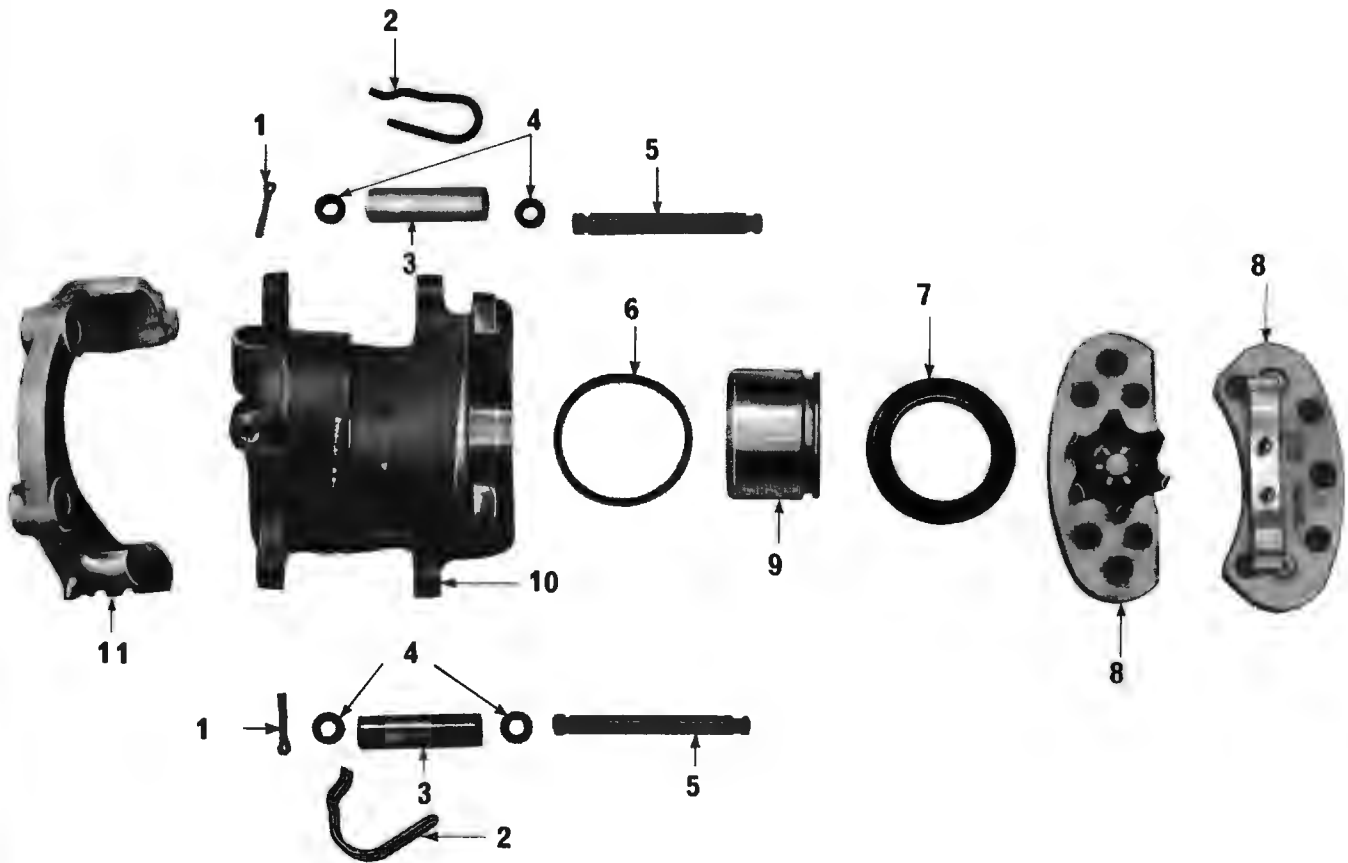
| ILLUS. REF. NO. | PART NAME | GROUP | ILLUS. REF. NO. | PART NAME | GROUP |
|-----------------|--|-------|-----------------|---|-------|
| 1. | LEVER ASSEMBLY - Hand brake | 4.592 | 7. | SPRING - Yoke | 4.826 |
| 2. | WASHER - Lock | 8.931 | 8. | CABLE & CONDUIT ASSY. - Rear | 4.826 |
| 3. | BOLT - Hexagon head | 8.900 | 9. | BRACKET - Return spring | 4.596 |
| 4. | BOLT - Oval head | 8.909 | 10. | GROMMET - Hand brake cable floor pan .. | 4.834 |
| 5. | COVER - Hand brake lever | 4.608 | 11. | SPRING - Lever return | 4.596 |
| 6. | CONNECTOR - Hand brake inter. cable .. | 4.830 | | | |



| ILLUS. REF. NO. | PART NAME | GROUP | ILLUS. REF. NO. | PART NAME | GROUP |
|-----------------|--|-------|-----------------|--|--------|
| 1. | PLUNGER - H/brake warning lamp switch | 4.610 | 4. | CLIP - H/brake warning lamp switch | 4.610 |
| 2. | SPRING - H/brake warning lamp switch.. | 4.610 | 5. | CLIP - Body wiring harness to rocker panel | 13.092 |
| 3. | BODY - H/brake warning lamp switch ... | 4.610 | | | |

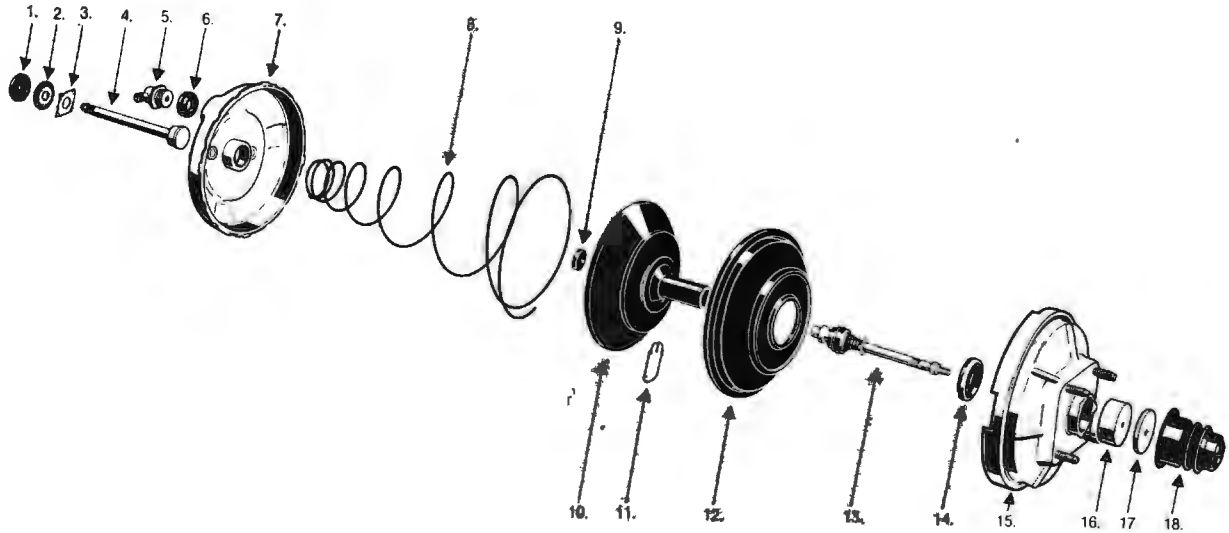


| ILLUS. REF. NO. | PART NAME | GROUP | ILLUS. REF. NO. | PART NAME | GROUP |
|-----------------|---|-------|-----------------|-------------------------------------|-------|
| 1. | GUIDE – Intermediate cable, front | 4.829 | 6. | EQUALISER – Front cable | 4.764 |
| 2. | GUIDE – Exhaust balance pipe | 4.829 | 7. | CABLE ASSEMBLY – Intermediate | 4.826 |
| 3. | PIN – Pulley clevis | 4.700 | 8. | CABLE ASSEMBLY – Front | 4.826 |
| 4. | PULLEY – Front cable | 4.700 | 9. | PIN – Cotter | 8.938 |
| 5. | NUT – Hexagon | 8.915 | | | |



BRAKE CALIPER ASSEMBLY

| ILLUS. REF. NO. | PART NAME | GROUP | ILLUS. REF. NO. | PART NAME | GROUP |
|-----------------|------------------------------|-------|-----------------|----------------|--------|
| 1-11 | CALIPER & BRACKET ASSY. | 5.010 | 6. } | SEAL KIT | 4.667 |
| 1. } | REPAIR KIT | 5.020 | 7. } | PAD SET | 5.018 |
| 3. } | | | 8. | PISTON | 4.668 |
| 5. } | SPRING - Anti rattle | 5.020 | 9. | HOUSING | N.S.S. |
| 2. | | | 10. | BRACKET | N.S.S. |
| 4. | BOOT - Guide pin | 5.020 | 11. | | |



BRAKE BOOSTER

| ILLUS. REF. NO. | PART NAME | GROUP | ILLUS. REF. NO. | PART NAME | GROUP |
|-----------------|-------------------------------------|--------------------|-----------------|---|--------|
| 1. | SEAL - Push rod | 4.907 | 6. | GROMMET - Check valve | 4.904 |
| 1. | } REPAIR KIT | 4.902 | 7. | SHELL - Front | N.S.S. |
| 5. | | | 8. | SPRING - Return | N.S.S. |
| 6. | | | 9. | DISC - Reaction | 4.907 |
| 9. | | | 10. | PLATE - Valve body & diaphragm pressure | N.S.S. |
| 13. | | | 11. | KEY - Locking | N.S.S. |
| 14. | | | 12. | DIAPHRAGM | 4.908 |
| 16. | | | 13. | VALVE ROD & PLUNGER ASSEMBLY | N.S.S. |
| 17. | | | 14. | SEAL ASSEMBLY - Rear shell | 4.908 |
| 18. | 15. | SHELL - Rear | N.S.S. | | |
| 2. | PLATE - Push rod seal support | 4.907 | 16. | FILTER | 4.903 |
| 3. | RETAINER - Push rod | N.S.S. | 17. | WASHER - Plunger felt | 4.907 |
| 4. | PUSH ROD ASSEMBLY | 4.907 | 18. | BOOT - Plunger | 4.907 |
| 5. | VALVE ASSEMBLY - Check | 4.904 | | | |

"HQ" PARTS CATALOGUE

| GROUP | DESCRIPTION | MODEL | SIDE | PART No. | QTY. |
|--------------|---|---------------------------------------|------|-----------|------|
| 4.591 | LEVER ASSEMBLY COMPLETE – Hand brake | | | | |
| | LEVER ASSEMBLY COMPLETE | ALL | | 2822924 | 1 |
| 4.592 | GRIP – Hand brake lever | | | | |
| | TRIM NOS. 10E, 10G, 10H, 10M, 10N, 10R, 10S, 10T, 10U, 10X, 10Y, 10Z, 11E, 11G, 12E, 14E, 14M, 16E, 16G, 18E, 18H, 18X, 18Y, 19E, 19G, 21E, 21G, 22E, 22R, 24E, 24R, 24X, 24Y, 28E, 28H, 28M, 28N, 28R, 28S, 28U, 30E, 30G, 30H, 30M, 30N, 30R, 30T, 30X, 30Y, 32E, 32R, 34E, 34G, 34M, 34N, 34R, 34T, 34X, 34Y, 35E, 35G, 35X, 35Y, 36E, 36G, 36R, 36T, 36X, 36Y, 38E, 38G, 39E, 39G (Black) | Kingswood, Premier, Monaro, Statesman | | 2820259BA | 1 |
| | TRIM NOS. 11M, 11N, 11R, 11S, 11T, 11X, 11Y (Saddle) | Kingswood, Premier, Monaro, Statesman | | 2820259CA | 1 |
| | TRIM NOS. 12R (Red) | Kingswood, Premier, Monaro, Statesman | | 2820259CB | 1 |
| | TRIM NOS. 14R, 14X, 14Y (Blue) | Kingswood, Premier, Monaro, Statesman | | 2820259CD | 1 |
| | TRIM NOS. 16R, 16T, 16X, 16Y (Green) | Kingswood, Premier, Monaro, Statesman | | 2820259CE | 1 |
| | TRIM NOS. 18M, 18N, 18R, 18S, 18U (Flax) | Kingswood, Premier, Monaro, Statesman | | 2820259CG | 1 |
| | TRIM NOS. 19M, 19N, 19R, 19S, 19T, 19X, 19Y, 21M, 21N, 21R, 21S, 21T, 21X, 21Y (Brown) | Kingswood, Premier, Monaro, Statesman | | 2820259CJ | 1 |
| | TRIM NOS. 35M, 35N, 35R (Ash) | Kingswood, Premier, Monaro, Statesman | | 2820259DD | 1 |
| | TRIM NOS. 38M, 38N, 38R, 38T, 38X, 38Y, 39M, 39N, 39R, 39T, 39X, 39Y (Chestnut) | Kingswood, Premier, Monaro, Statesman | | 2820259DG | 1 |
| 4.594 | ROD – Hand brake release | | | | |
| | ROD | ALL | | 2813876 | 1 |
| | SPRING – Rod release | ALL | | 2813877 | 1 |
| | BUTTON – Rod release | ALL | | 2813878 | 1 |
| | GUIDE – Button release | ALL | | 2813927 | 1 |
| 4.595 | LEVER, PAWL – Hand brake ratchet | | | | |
| | LEVER – Pawl | ALL | | 2813871 | 1 |
| | PAWL | ALL | | 2813875 | 1 |
| 4.596 | SPRING, BRACKET – Hand brake lever return | | | | |
| | SPRING | ALL | | 2813883 | 1 |
| | BRACKET – Return spring | ALL | | 2813884 | 1 |
| 4.608 | COVER – Hand brake lever | | | | |
| | TRIM NOS. 10A, 10B, 10C, 10E, 10G, 10H, 10M, 10N, 10R, 10S, 10T, 10U, 10X, 10Y, 10Z, 11A, 11B, 11E, 11G, 12A, 12B, 12E, 14A, 14B, 14E, 14M, 16E, 16G, 17A, 18E, 18H, 18X, 18Y, 19A, 19B, 19C, 19E, 19G, 21A, 21B, 21E, 21G, 22A, 22B, 22E, 22R, 24A, 24B, 24E, 24R, 24X, 24Y, 28E, 28H, 28M, 28N, 28R, 28S, 28U, 30A, 30B, 30E, 30G, 30H, 30M, 30N, 30R, 30T, 30X, 30Y, 32A, 32B, 32E, 32R, 34A, 34B, 34E, 34G, 34M, 34N, 34R, 34T, 34X, 34Y, 35A, 35B, 35E, 35G, 35X, 35Y, 36E, 36G, 36R, 36T, 36X, 36Y, 38E, 38G, 39A, 39B, 39E, 39G | ALL | | 2815209BA | 1 |
| | TRIM NOS. 11M, 11N, 11R, 11S, 11T, 11X, 11Y | ALL | | 2815209CA | 1 |
| | TRIM NOS. 12R | ALL | | 2815209CB | 1 |
| | TRIM NOS. 14R, 14X, 14Y | ALL | | 2815209CD | 1 |
| | TRIM NOS. 16R, 16T, 16X, 16Y | ALL | | 2815209CE | 1 |
| | TRIM NOS. 18M, 18N, 18R, 18S, 18U | ALL | | 2815209CG | 1 |
| | TRIM NOS. 19M, 19N, 19R, 19S, 19T, 19X, 19Y, 21M, 21N, 21R, 21S, 21T, 21X, 21Y | ALL | | 2815209CJ | 1 |
| | TRIM NOS. 35M, 35N, 35R | ALL | | 2815209DD | 1 |
| | TRIM NOS. 38M, 38N, 38R, 38T, 38X, 38Y, 39M, 39N, 39R, 39T, 39X, 39Y | ALL | | 2815209DG | 1 |

"HQ" PARTS CATALOGUE

| GROUP | DESCRIPTION | MODEL | SIDE | PART No. | QTY. |
|--------------|---|------------------------|------|----------|------|
| 4.610 | LAMP – Hand brake warning | | | | |
| | BODY – Switch | ALL | | 7418802 | 1 |
| | SPRING – Switch | ALL | | 7418544 | 1 |
| | PLUNGER – Switch | ALL | | 7418929 | 1 |
| | CLIP – Switch | ALL | | SP2294 | 1 |
| 4.625 | PEDAL, PAD, BUMPER – Brake | | | | |
| | PEDAL ASSEMBLY | (M) | | 2814734 | 1 |
| | PEDAL ASSEMBLY | (A) | | 2814925 | 1 |
| | PAD – Pedal | (M) Drum Brake | | 7433701 | 1 |
| | PAD – Pedal | (M) Disc Brake | | 7436293 | 1 |
| | PAD – Pedal | (A) Drum Brake | | 7433702 | 1 |
| | PAD – Pedal | (A) Disc Brake | | 7436291 | 1 |
| | RIM – Pedal pad trim | (A) 1469 | | 7435375 | 1 |
| | BUMPER – Pedal | Drum Brake | | 7431380 | 1 |
| | BRACKET – Bumper mounting | Drum Brake | | 2823413 | 1 |
| | BRACKET – Stop lamp switch mounting | Disc Brake | | 2814735 | 1 |
| 4.626 | BUSHING, BEARING – Brake pedal | | | | |
| | BUSHING | ALL | | 3798256 | 2 |
| | BEARING | ALL | | 2814737 | 1 |
| 4.636 | BOLT, NUT – Brake pedal retaining | | | | |
| | BOLT – Pivot | (M) exc. 350 Eng. | | SP2297 | 1 |
| | BOLT – Pivot | (M) 350 Eng. | | 215723 | 1 |
| | BOLT – Pivot | (A) | | 215723 | 1 |
| | NUT | ALL | | 9422281 | 1 |
| 4.639 | SPRING – Brake pedal return | | | | |
| | SPRING | ALL | | 2814736 | 1 |
| 4.649 | REPAIR KIT – Brake main cylinder | | | | |
| | REPAIR KIT – Less pistons | ALL | | 2824362 | 1 |
| | NOTE: Discard one valve when using on vehicles equipped with Disc Brakes. | | | | |
| 4.650 | CYLINDER ASSEMBLY, BODY – Brake main | | | | |
| | CYLINDER ASSEMBLY | Drum Brake | | 2814004 | 1 |
| | CYLINDER ASSEMBLY | Disc Brake | | 2811647 | 1 |
| | BODY | Drum Brake | | 2811648 | 1 |
| | BODY | Disc Brake | | 2811649 | 1 |
| 4.651 | COVER, DIAPHRAGM, BAIL – Brake main cylinder | | | | |
| | COVER | ALL | | 2811650 | 1 |
| | DIAPHRAGM – Cover | ALL | | 2811651 | 1 |
| | BAIL – Cover | ALL | | 2823803 | 1 |
| 4.652 | INSERT, PLUG, WASHER – Brake main cylinder | | | | |
| | INSERT – Tube fitting | ALL | | 5452322 | 2 |
| | PLUG | ALL | | 7433139 | 1 |
| | WASHER – Plug | ALL | | 7433162 | 1 |
| 4.653 | PISTON – Brake main cylinder | | | | |
| | PISTON – Primary | ALL | | 2820248 | 1 |
| | PISTON – Secondary | ALL | | 7434961 | 1 |
| | STOP – Primary piston | ALL | | 5452315 | 1 |
| | SCREW – Primary piston stop | ALL | | 5464418 | 1 |

"HQ" PARTS CATALOGUE

| GROUP | DESCRIPTION | MODEL | SIDE | PART No. | QTY. |
|--------------|---|------------|------|----------|------|
| 4.654 | PROTECTOR, SEAL – Brake main cylinder piston | | | | |
| | PROTECTOR | ALL | | 5462635 | 2 |
| | SEAL – 5/8" I.D. | ALL | | 5453620 | 2 |
| | SEAL – 3/4" I.D. | ALL | | 5460195 | 4 |
| 4.655 | SPRING, RETAINER – Brake main cylinder piston | | | | |
| | SPRING & RETAINER ASSEMBLY – Secondary | ALL | | 2819950 | 1 |
| | SPRING – Primary | ALL | | 5452520 | 1 |
| | RETAINER - Primary spring | ALL | | 5464424 | 1 |
| 4.656 | RING, SCREW – Brake main cylinder | | | | |
| | RING – Lock | ALL | | 5467356 | 1 |
| | SCREW – Primary piston extension | ALL | | 5452519 | 1 |
| 4.657 | VALVE ASSEMBLY, SPRING – Brake main cylinder check | | | | |
| | VALVE ASSEMBLY | ALL | | 5462642 | 2-1 |
| | SPRING – Valve | ALL | | 5462637 | 2-1 |
| 4.658 | ROD – Brake main cylinder push | | | | |
| | ROD | Drum Brake | | 2820315 | 1 |
| 4.659 | BOOT – Brake main cylinder push rod | | | | |
| | BOOT | Drum Brake | | 7433213 | 1 |
| 4.662 | CLEVIS – Brake main cylinder rod end | | | | |
| | CLEVIS | Drum Brake | | 9928839 | 1 |
| | CLEVIS | Disc Brake | | 7415761 | 1 |
| | PIN – Clevis, .375" x 1.06" | ALL | | SP1450 | 1 |
| | WASHER | ALL | | 7411849 | 1 |
| 4.665 | CYLINDER ASSEMBLY, BODY, REPAIR KIT – Wheel brake | | | | |
| | CYLINDER ASSEMBLY – Front – 1 1/8" Dia. | Drum Brake | LH | 7438309 | 1 |
| | | | RH | 7438308 | 1 |
| | CYLINDER ASSEMBLY – Rear – 7/8" Dia. | ALL | | 7438310 | 2 |
| | BODY – Front – 1 1/8" Dia. | Drum Brake | LH | 7438089 | 1 |
| | | | RH | 7438090 | 1 |
| | BODY – Rear – 7/8" Dia. | ALL | | 7438311 | 2 |
| | REPAIR KIT – Front – 1 1/8" Dia. cyl. | Drum Brake | | 7439076 | 2 |
| | REPAIR KIT – Rear – 7/8" Dia. cyl. | ALL | | 7439077 | 2 |
| 4.666 | VALVE – Wheel brake bleeder | | | | |
| | VALVE – Front and rear cylinder | ALL | | 7420715 | 4-2 |
| | VALVE – Front caliper | Disc Brake | | VS11926 | 2 |
| 4.667 | CUP – Wheel brake cylinder | | | | |
| | CUP – Front – 1 1/8" Dia. | Drum Brake | | 5455298 | 4 |
| | CUP – Front .007" O/S | Drum Brake | | M37187 | 4 |
| | CUP – Rear – 7/8" Dia. | ALL | | 5455481 | 4 |
| 4.667 | SEAL KIT – Front caliper | | | | |
| | SEAL KIT – Front caliper | Disc Brake | | VS11918 | 1 |
| 4.668 | PISTON – Wheel brake cylinder, caliper | | | | |
| | PISTON – Front – 1 1/8" Dia. | Drum Brake | | 7438390 | 4 |
| | PISTON – Front caliper | Disc Brake | | VS11927 | 4 |
| | PISTON – Rear – 7/8" Dia. | ALL | | 7438367 | 4 |

"HQ" PARTS CATALOGUE

| GROUP | DESCRIPTION | MODEL | SIDE | PART No. | QTY. |
|--------------|---|--|------|----------|------|
| 4.669 | SPRING – Wheel brake cylinder cup | | | | |
| | SPRING – Front 1 1/8" Dia. cyl. | Drum Brake | | 5455487 | 2 |
| | SPRING – Rear – 7/8" Dia. cyl. | ALL | | 5455421 | 2 |
| 4.670 | BOOT – Wheel brake cylinder | | | | |
| | BOOT – Front – 1 1/8" Dia. cyl. | Drum Brake | | 7438159 | 4 |
| | BOOT – Rear – 7/8" Dia. cyl. | ALL | | 7438425 | 4 |
| 4.675 | LINK – Wheel brake cylinder connecting | | | | |
| | FRONT and REAR | ALL | | 7433172 | 8-4 |
| 4.680 | HOSE, WASHER – Brake | | | | |
| | HOSE – Front | Drum Brake | | 2816278 | 2 |
| | WASHER – Hose to wheel cylinder | Drum Brake | | 7410046 | 2 |
| | HOSE – Front | Disc Brake | | 2816279 | 2 |
| | WASHER – Hose to caliper | Disc Brake | | 7410046 | 2 |
| | HOSE – Rear | 35, 37, 69 | | 2822916 | 1 |
| | HOSE – Rear | 60, 70, 80 | | 2822480 | 1 |
| | BOLT – Hose to rear axle | Disc Brake | | SP2090 | 1 |
| 4.681 | BRACKET, SPRING – Brake hose | | | | |
| | BRACKET – Front brake hose mounting | ALL | | 2816280 | 2 |
| | BOLT – Bracket to frame | ALL | | SP2240 | 2 |
| | BRACKET – Brake hose rear axle | 6 Cyl. exc. 60 | | 2816285 | 1 |
| | SPRING – Yoke | ALL | | 476737 | A.R. |
| 4.685 | PIPE ASSEMBLY, CLIP – Brake | | | | |
| | PIPE ASSY. – Main cylinder to front brake connector | Drum Brake | | 2816275 | 1 |
| | PIPE ASSY. – Main cylinder to rear brake connector | Drum Brake | | 2816277 | 1 |
| | PIPE ASSY. – Main cylinder to front brake connector | Disc Brake | | 2822483 | 1 |
| | PIPE ASSY. – Main cylinder to rear brake connector | Disc Brake | | 2822484 | 1 |
| | PIPE ASSY. – Connector to LH front brake | Drum Brake | | 2816281 | 1 |
| | PIPE ASSY. – Connector to RH front brake | Drum Brake | | 2816282 | 1 |
| | PIPE ASSY. – Connector to LH front brake | Disc Brake | | 2816283 | 1 |
| | PIPE ASSY. – Connector to RH front brake | Disc Brake | | 2823129 | 1 |
| | PIPE ASSY. – Connector to rear connector, 1st type | 35, 37, 69 Drum Brake | | 2816264 | 1 |
| | PIPE ASSY. – Connector to proport. valve, 1st type | 35, 37, 69 Disc Brake | | 2816264 | 1 |
| | PIPE ASSY. – Connector to rear connector, 2nd type | 35, 37, 69 Drum Brake | | 2823020 | 1 |
| | PIPE ASSY. – Connector to proport. valve, 2nd type | 35, 37, 69 Disc Brake | | 2823020 | 1 |
| | PIPE ASSY. – Connector to rear connector | 60, 70, 80 Drum Brake | | 2816265 | 1 |
| | PIPE ASSY. – Connector to proportioning valve | 60, 70, 80 Disc Brake | | 2816265 | 1 |
| | PIPE ASSY. – Rear connector to rear hose, 1st type | 35 Drum Brake | | 2816268 | 1 |
| | PIPE ASSY. – Proport. valve to rear hose, 1st type | 35 Disc Brake | | 2816269 | 1 |
| | PIPE ASSY. – Rear connector to rear hose, 1st type | 37, 69 Drum Brake | | 2816266 | 1 |
| | PIPE ASSY. – Proport. valve to rear hose, 1st type | 37, 69 Disc Brake exc. Statesman | | 2816267 | 1 |
| | PIPE ASSY. – Proport. valve to rear hose, 1st type | Statesman | | 2816269 | 1 |
| | PIPE ASSY. – Rear connector to rear hose, 2nd type | 35 Drum Brake | | 2824749 | 1 |
| | PIPE ASSY. – Proport. valve to rear hose, 2nd type | 35 Disc Brake | | 2824751 | 1 |
| | PIPE ASSY. – Rear connector to rear hose, 2nd type | 37, 69 Drum Brake | | 2824748 | 1 |
| | PIPE ASSY. – Proport. valve to rear hose, 2nd type | 37, 69 Disc Brake exc. Statesman | | 2824750 | 1 |
| | PIPE ASSY. – Proport. valve to rear hose, 2nd type | Statesman | | 2823025 | 1 |
| | PIPE ASSY. – Rear connector to rear hose | 60 Drum Brake | | 2816272 | 1 |
| | PIPE ASSY. – Proportioning valve to rear hose | 60 Disc Brake | | 2816273 | 1 |
| | PIPE ASSY. – Rear connector to rear hose | 70, 80 Drum Brake | | 2819089 | 1 |
| | PIPE ASSY. – Proportioning valve to rear hose | 70, 80 Disc Brake | | 2819111 | 1 |
| | PIPE ASSY. – Hose to LH rear brake | 35, 37, 69 | | 2816270 | 1 |
| | PIPE ASSY. – Hose to RH rear brake | 35, 37, 69 | | 2824700 | 1 |
| | PIPE ASSY. – Hose to LH rear brake | 60, 70, 80 | | 2817154 | 1 |
| | PIPE ASSY. – Hose to RH rear brake | 60, 70, 80 | | 2816679 | 1 |
| | NUT – Pipe 3/16" inv. fld. tube 3/8" – 24 | ALL | | 7434312 | A.R. |
| | CLIP – Brake pipe to crossmember | ALL | | 2808752 | 2 |
| | CLIP – Brake pipe and fuel pipe | ALL | | 599119 | 2 |

"HQ" PARTS CATALOGUE

| GROUP | DESCRIPTION | MODEL | SIDE | PART No. | QTY. |
|--------------|---|--|------|----------|------|
| 4.685 | PIPE ASSEMBLY, CLIP – Brake (contd.) | | | | |
| | CLIP – Brake pipe to frame | ALL | | SP2359 | A.R. |
| | CLIP – Brake pipe to rear axle housing | ALL | | 7415654 | 2 |
| | CLIP – Brake pipe to frame | 60, 70, 80 | | SP1836 | A.R. |
| | CLIP – Brake pipe to frame | 60 | | SP1909 | 1 |
| | CLIP – Brake pipe and wiring harness | 60 | | SP2282 | 1 |
| 4.686 | CONNECTOR and SWITCH ASSEMBLY – Brake pressure warning | | | | |
| | CONNECTOR & SWITCH ASSY. – Pressure warning | ALL | | 2817426 | 1 |
| | SWITCH ASSEMBLY – Pressure warning | ALL | | VS11789 | 1 |
| | BRACKET ASSEMBLY – Warning switch | ALL | | 2816462 | 1 |
| 4.686 | UNION – Front pipe to rear pipe | | | | |
| | UNION – Front pipe to rear pipe | Drum Brake | | SP2235 | 1 |
| 4.686 | VALVE – Brake proportioning | | | | |
| | VALVE – Brake proportioning | Disc Brake | | 2817567 | 1 |
| | CLIP – Valve to frame, 2nd type pipes | 35, 37, 69 Disc Brake | | SP2313 | 1 |
| 4.700 | PULLEY, BRACKET – Hand brake cable | | | | |
| | PULLEY – Front cable | ALL | | 2818506 | 1 |
| | PIN – Pulley clevis .375" x 1.06" | ALL | | SP1450 | 1 |
| | BRACKET – Pulley | 35, 37, 69 | | 2810379 | 1 |
| | BRACKET – Pulley | 60, 70, 80 | | 2815357 | 1 |
| 4.764 | EQUALISER – Hand brake cable | | | | |
| | EQUALISER – Front cable | ALL | | 6256437 | 1 |
| 4.826 | CABLE ASSEMBLY – Hand brake | | | | |
| | CABLE ASSEMBLY – Front | ALL | | 2810381 | 1 |
| | CABLE ASSEMBLY – Intermediate | 35, 1469, 1569, 1669 | | 2812072 | 1 |
| | CABLE ASSEMBLY – Intermediate | 37, 169, 269, 369, 469, 1169, 1269 | | 2810388 | 1 |
| | CABLE ASSEMBLY – Intermediate | 60 | | 2815185 | 1 |
| | CABLE ASSEMBLY – Intermediate | 70, 80 | | 2815109 | 1 |
| | CABLE & CONDUIT ASSEMBLY – Rear | 35, 37, 69 | | 2810513 | 2 |
| | CABLE & CONDUIT ASSEMBLY – Rear | 60, 70, 80 | | 2815186 | 2 |
| | GROMMET – Intermediate cable | 60, 70, 80 | | SP2134 | 2 |
| | SPRING – Yoke | ALL | | 476737 | 2 |
| 4.829 | BRACKET, GUIDE – Hand brake cable | | | | |
| | BRACKET – Rear cable | 35, 37, 69 | LH | 2810385 | 1 |
| | | | RH | 2810384 | 1 |
| | BRACKET – Rear cable anchor | 60, 70, 80 | LH | 2815187 | 1 |
| | | | RH | 2815188 | 1 |
| | GUIDE – Front cable | ALL | | 2824144 | 1 |
| | GUIDE – Intermediate cable (front) | 35, 37, 69 | | 2810496 | 1 |
| | GUIDE – Intermediate cable (rear) | 35, 37, 69 | LH | 2810383 | 1 |
| | | | RH | 2810382 | 1 |
| | GUIDE | Dual Exhaust | | 2820271 | 1 |
| | GUIDE – Intermediate cable to crossbar | 60, 70, 80 | | 2815190 | 1 |
| | GUIDE – Intermediate cable to frame | 60, 70, 80 | | 2815189 | 2 |
| 4.830 | CONNECTOR – Hand brake intermediate cable | | | | |
| | CONNECTOR | ALL | | 3770112 | 2 |
| 4.834 | GROMMET – Hand brake cable floor pan | | | | |
| | GROMMET | ALL | | 2810696 | 1 |

"HQ" PARTS CATALOGUE

| GROUP | DESCRIPTION | MODEL | SIDE | PART No. | QTY. |
|--------------|--|---------------------------|------|----------|------|
| 4.902 | BOOSTER, REPAIR KIT – Brake vacuum servo | | | | |
| | BOOSTER PACKAGE | Drum Brakes | | 2822768 | 1 |
| | BOOSTER | Drum Brakes | | 2822563 | 1 |
| | BOOSTER | Disc Brake | | 2816916 | 1 |
| | REPAIR KIT | Disc Brake | | VS11919 | 1 |
| 4.903 | FILTER – Brake vacuum servo booster | | | | |
| | FILTER | Disc Brake | | VS10577 | 1 |
| 4.904 | VALVE, GROMMET – Brake vacuum servo booster | | | | |
| | VALVE ASSEMBLY – Check | Disc Brake | | 9929529 | 1 |
| | GROMMET – Check valve | Disc Brake | | 9929528 | 1 |
| 4.906 | PRESSURE PLATE – Brake vacuum servo booster | | | | |
| | PRESSURE PLATE & VALVE BODY – Diaphragm | Disc Brake | | VS12149 | 1 |
| 4.907 | SEAL, DISC, PUSH ROD, BOOT – Brake vacuum servo booster | | | | |
| | SEAL – Push rod | Disc Brake | | VS10576 | 1 |
| | DISC – Reaction | Disc Brake | | VS11923 | 1 |
| | PUSH ROD ASSEMBLY | Disc Brake | | VS12151 | 1 |
| | WASHER – Push rod felt | Disc Brake | | VS10578 | 1 |
| | BOOT | Disc Brake | | VS11161 | 1 |
| 4.908 | SEAL ASSEMBLY – DIAPHRAGM – Brake vacuum servo booster | | | | |
| | SEAL ASSEMBLY – Rear shell | Disc Brake | | VS10579 | 1 |
| | DIAPHRAGM – Rear | Disc Brake | | VS11933 | 1 |
| 4.931 | HOSE, ELBOW – Brake vacuum servo | | | | |
| | HOSE | 173, 202 Eng., Disc Brake | | 7434510 | 1 |
| | HOSE | 253, 308, 350 Eng. | | 2812928 | 1 |
| | CLAMP – Hose | Disc Brake | | 272846 | 2 |
| | ELBOW – Manifold | Disc Brake | | 7406788 | 1 |
| | NIPPLE | (M) exc. Air Cond. | | 2820727 | 1 |
| 5.001 | PLATE ASSEMBLY – Brake backing | | | | |
| | PLATE ASSEMBLY – Front | Drum Brake | LH | 2814609 | 1 |
| | | | RH | 2814608 | 1 |
| | PLATE ASSEMBLY – Rear | ALL | LH | 2814721 | 1 |
| | | | RH | 2814722 | 1 |
| 5.002 | BOLT – Brake backing plate mounting | | | | |
| | BOLT – Rear | ALL | | 2817738 | 8 |
| 5.010 | CALIPER ASSEMBLY – Brake | | | | |
| | CALIPER & BRACKET ASSEMBLY | Disc Brake | LH | 2815549 | 1 |
| | | | RH | 2815550 | 1 |
| 5.017 | SHOE and LINING ASSEMBLY – Brake | | | | |
| | SHOE & LINING SET – Front (Rivettted) | Drum Brake | | 2819714 | 1 |
| | SHOE & LINING SET – Front (Rivettted) .030" O/S | Drum Brake | | 2819718 | 2 |
| | SHOE & LINING SET – Rear (Rivettted) | ALL | | 2819720 | 1 |
| | SHOE & LINING SET – Rear (Rivettted) .030" O/S | ALL | | 2819724 | 2 |
| 5.018 | LINING SET, PAD SET – Brake | | | | |
| | LINING SET – Front (2 wheels) | Drum Brake | | 2819727 | 1 |
| | LINING SET – Front, .030" O/S (2 wheels) | Drum Brakes | | 2819729 | 1 |
| | LINING SET – Rear (2 wheels) | ALL | | 2819726 | 1 |
| | LINING SET – Rear, .030" O/S (2 wheels) | ALL | | 2819728 | 1 |
| | PAD SET – Front brake | Disc Brake | | VS11932 | 1 |

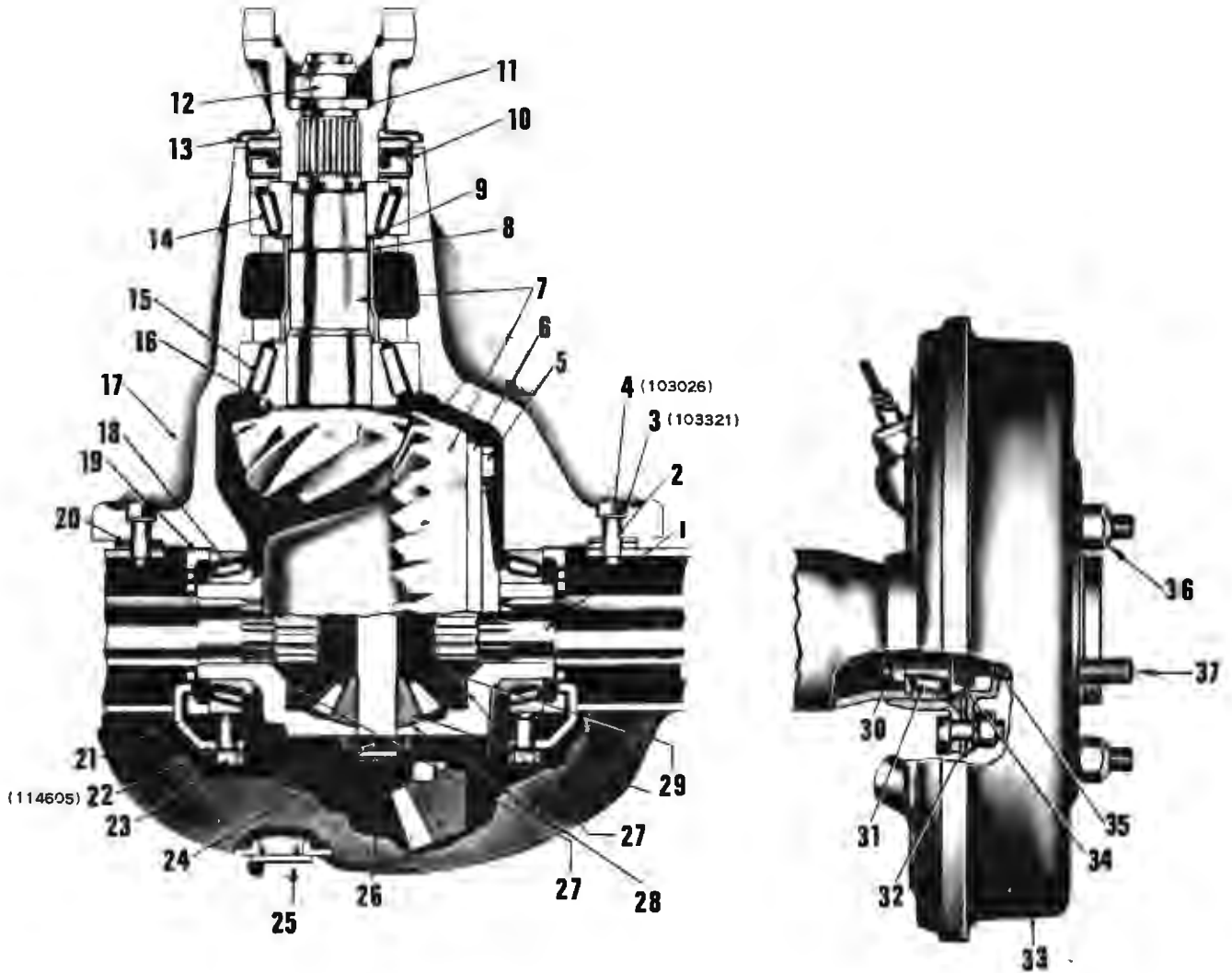
"HQ" PARTS CATALOGUE

| GROUP | DESCRIPTION | MODEL | SIDE | PART No. | QTY. |
|---|--|------------|----------|--------------------|------------|
| 5.019 RIVET – Brake lining | RIVET | ALL | | 7405754 | A.R. |
| 5.020 SPRING – Brake caliper pad | SPRING – Anti-rattle (one prong) | Disc Brake | | VS11929 | 2 |
| | SPRING – Anti-rattle (two prong) | Disc Brake | | VS11928 | 2 |
| 5.020 BOOT, REPAIR KIT – Brake caliper guide | BOOT – Guide pin | Disc Brake | | VS11930 | 4 |
| | REPAIR KIT – Caliper | Disc Brake | | VS11931 | 2 |
| 5.026 SPRING – Brake shoe retractor | SPRING – Brake shoe retractor | ALL | | 7433016 | 8-4 |
| | SPRING – Brake adjusting nut | ALL | | 7432147 | 4-2 |
| 5.041 PIN – Brake shoe hold down | PIN | ALL | | 7433915 | 8-4 |
| 5.043 SPRING – Brake shoe hold down pin | SPRING | ALL | | 7410794 | 8-4 |
| 5.045 PLATE – Brake shoe guide | PLATE | ALL | | 7437019 | 4-2 |
| 5.055 PIN – Front brake anchor | PIN | Drum Brake | | 7433716 | 2 |
| 5.056 PLATE – Front brake anchor pin lock | PLATE | Drum Brake | | 7433753 | 2 |
| 5.103 LEVER, PLATE, BUSH – Brake adjuster | LEVER | ALL | LH RH | 7426775 7426776 | 2-1 2-1 |
| | PLATE – Lever pivot | ALL | LH RH | 7426777 7426778 | 2-1 2-1 |
| | BUSHING | ALL | | 7426774 | 4-2 |
| 5.105 LINK – Brake adjuster | LINK – Black – Effective length 3.90" | ALL | | (1) 7433017 | 4-2 |
| | LINK – Red – Effective length 3.96" | ALL | | (1) 7433018 | 4-2 |
| | LINK – Yellow – Effective length 4.02" | ALL | | (1) 7433019 | 4-2 |
| 5.107 SPRING – Brake adjuster | OVERLOAD | ALL | | 7426772 | 4-2 |
| | RETURN | ALL | | 7426773 | 4-2 |
| 5.110 SCREW, WASHER – Brake adjusting | SCREW | ALL | LH RH | 2820531 2820530 | 2-1 2-1 |
| | WASHER – Adjusting screw | ALL | | 7424836 | 4-2 |
| 5.111 NUT, PLUG – Brake adjusting | NUT | ALL | LH RH | 7433131 7433130 | 2-1 2-1 |
| | PLUG | ALL | | 7438646 | 4-2 |

Note: (1) Selective fit.

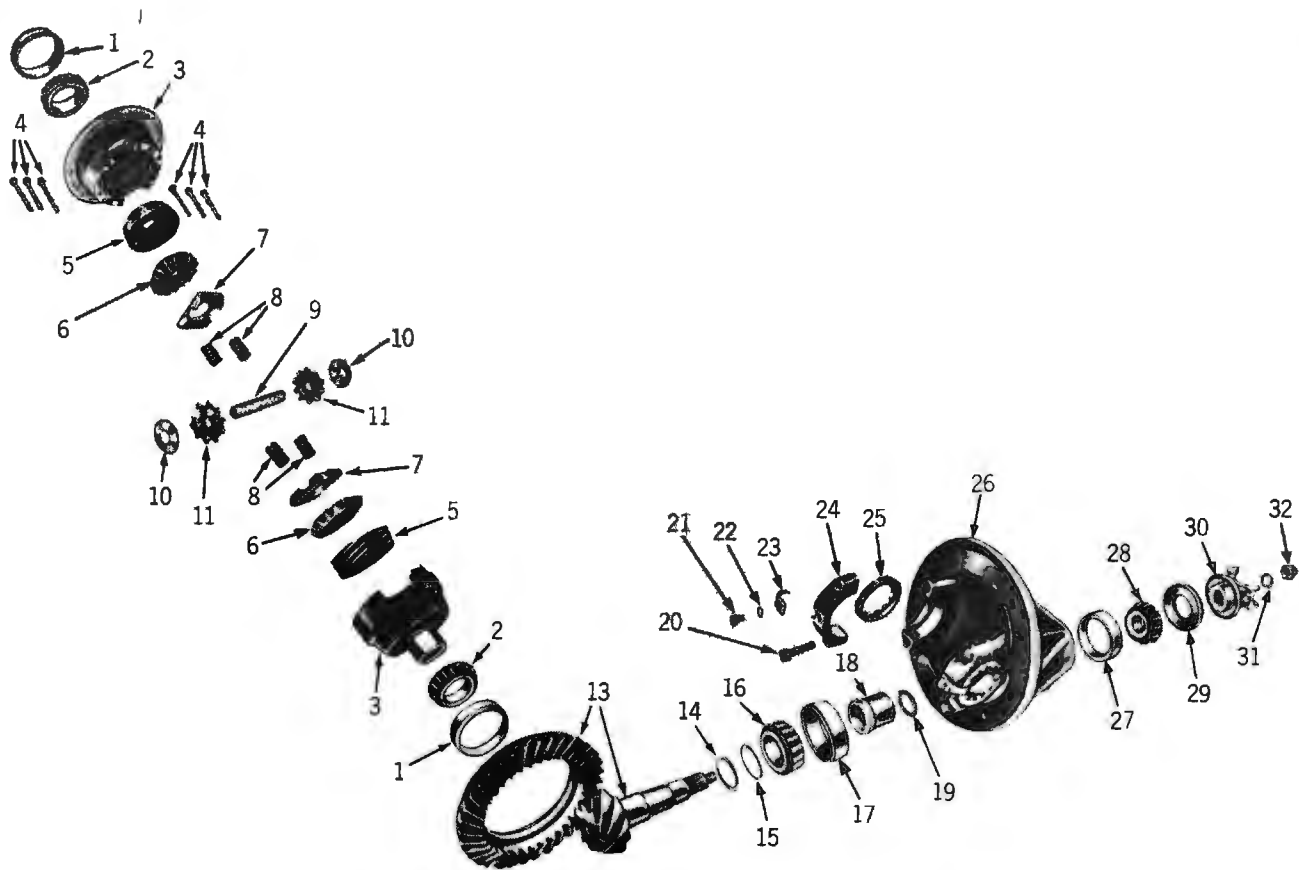
"HQ" PARTS CATALOGUE

| GROUP | DESCRIPTION | MODEL | SIDE | PART No. | QTY. |
|--------------|--|-----------|------|----------|------|
| 5.149 | LEVER — Hand brake actuating | | | | |
| | LEVER | ALL | LH | 7433121 | 1 |
| | | | RH | 7433122 | 1 |
| 5.150 | STRUT — Hand brake actuating lever | | | | |
| | STRUT | ALL | | 2814723 | 2 |
| 5.151 | SPRING — Hand brake lever strut | | | | |
| | SPRING | ALL | | 7420762 | 2 |
| 5.158 | CLIP, WASHER — Hand brake actuating lever | | | | |
| | CLIP - Lever retainer | ALL | | 5454798 | 2 |
| | WASHER - Lever to secondary shoe | ALL | | 5454797 | 2 |
| 5.188 | COVER — Brake adjusting hole | | | | |
| | COVER | ALL | | 7423304 | 4-2 |



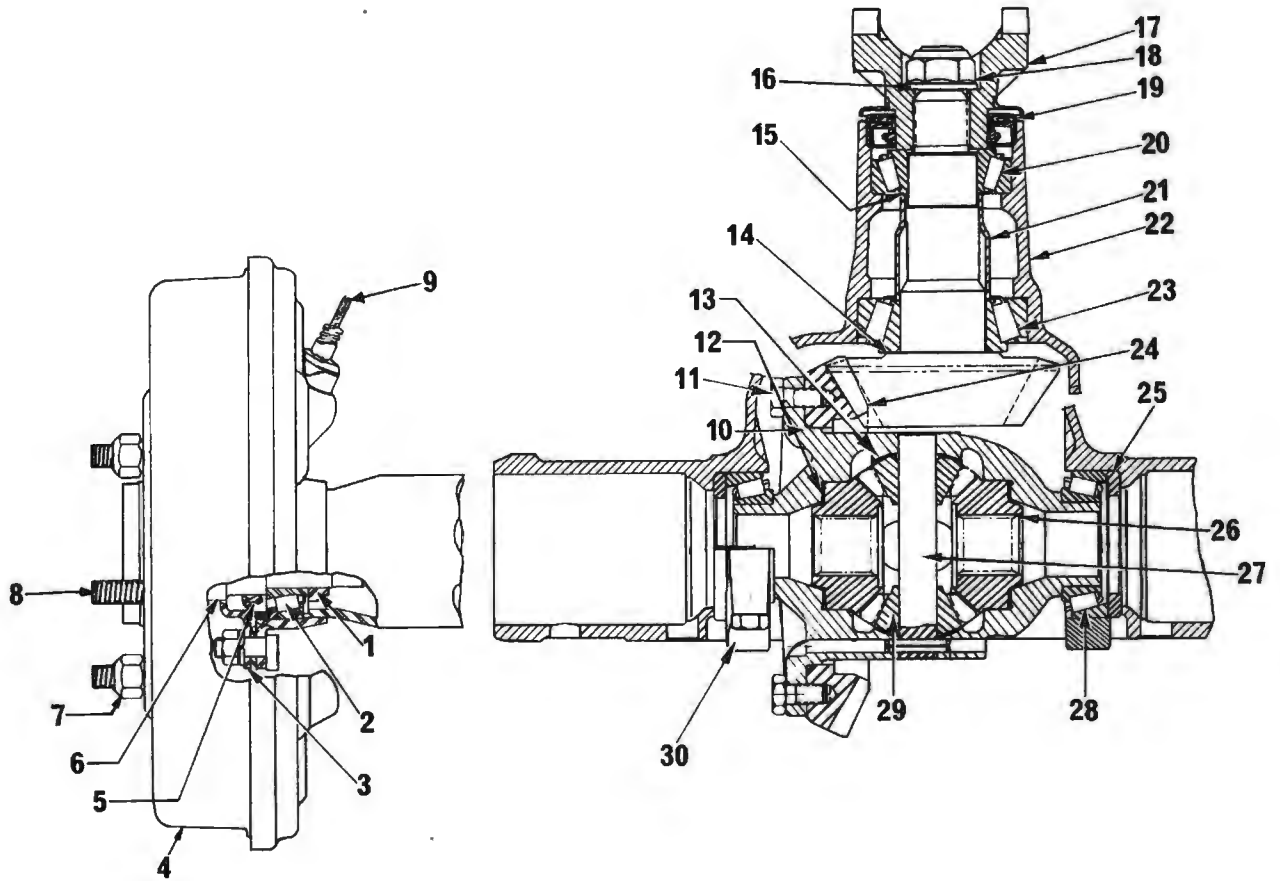
REAR AXLE ASSEMBLY
6Cyl. Eng.

| ILLUS. REF. NO. | PART NAME | GROUP | ILLUS. REF. NO. | PART NAME | GROUP |
|-----------------|--|-------|-----------------|--|-------|
| 1. | SHAFT - Axle | 5.420 | 20. | GASKET | 5.508 |
| 2. | BOLT - Axle housing | 5.387 | 21. | LOCK | 5.539 |
| 3. | WASHER - Lock, 3/8 medium | 8.931 | 22. | WASHER - External tooth, 5/16 | 8.932 |
| 4. | NUT - Hex. 3/8 - 24 | 8.915 | 23. | SCREW | 5.539 |
| 5. | BOLT - Ring gear | 5.531 | 24. | PIN - Spring | 5.518 |
| 6. | CASE - Differential | 5.510 | 25. | PLUG - Filler | 5.400 |
| 7. | RING GEAR & PINION ASSY. | 5.529 | 26. | SHAFT - Differential Pinion | 5.517 |
| 8. | SPACER - Pinion bearing | 5.453 | 27. | WASHER - Side gear thrust | 5.543 |
| 9. | SHIM - Preload | 5.460 | 28. | WASHER - Pinion thrust | 5.542 |
| 10. | SEAL - Pinion oil | 5.469 | 29. | GEAR SET - 2 side gears, 2 pinions | 5.527 |
| 11. | WASHER - Flange nut | 5.545 | 30. | RING | 5.816 |
| 12. | NUT - Flange retaining | 5.545 | 31. | BEARING - Axle shaft | 5.855 |
| 13. | FLANGE ASSEMBLY | 5.545 | 32. | RETAINER | 5.816 |
| 14. | CONE - Front pinion bearing | 5.447 | 33. | DRUM ASSEMBLY - Brake | 5.809 |
| 15. | CONE - Rear pinion bearing | 5.484 | 34. | SEAL | 5.822 |
| 16. | SHIM - Locating | 5.460 | 35. | SHAFT - Axle | 5.420 |
| 17. | CARRIER & CAP ASSEMBLY | 5.505 | 36. | NUT - Wheel hub | 5.813 |
| 18. | CONE - Differential side bearing | 5.536 | 37. | BOLT - Wheel hub | 5.812 |
| 19. | NUT - Adjusting | 5.537 | | | |



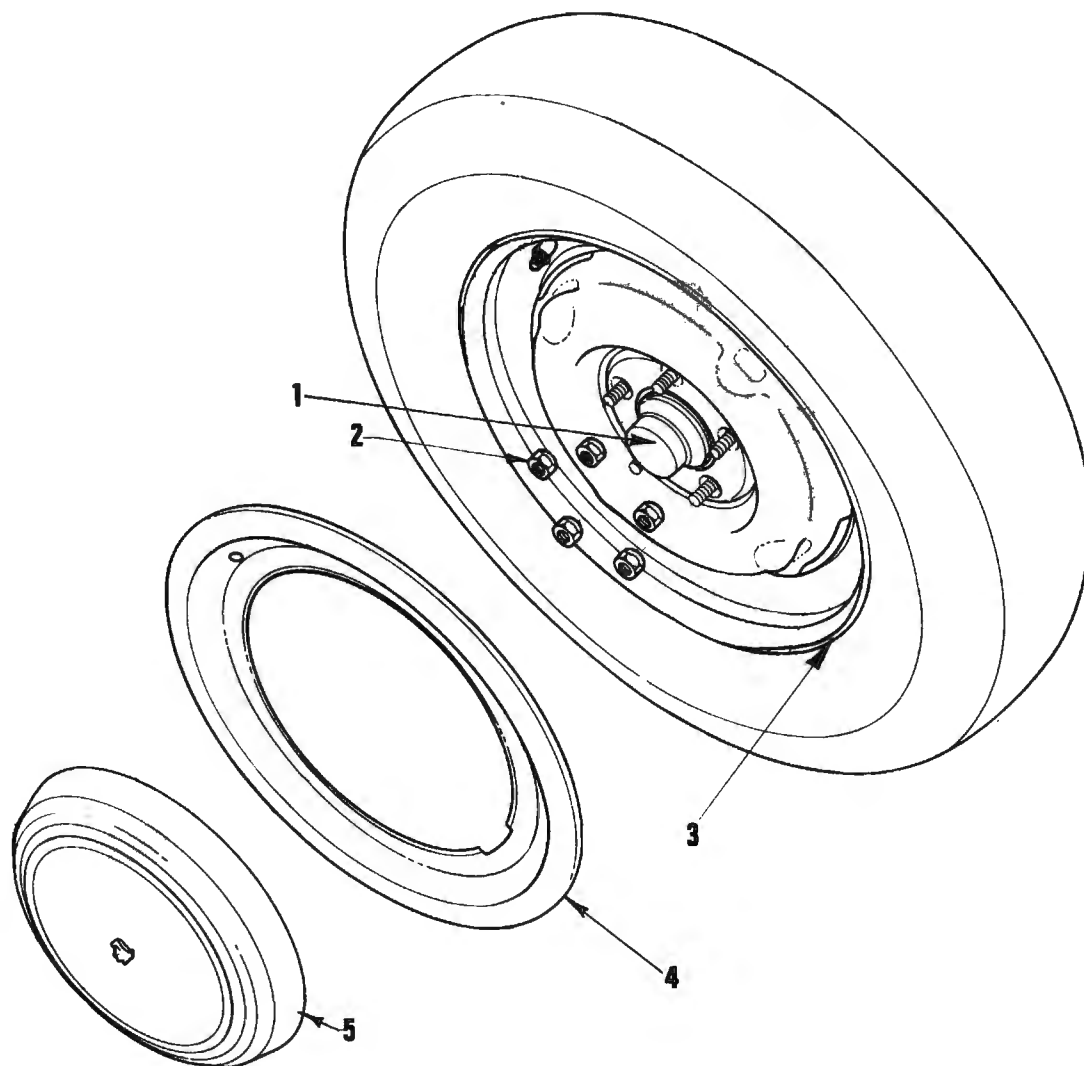
DIFFERENTIAL ASSEMBLY
(Limited Slip 6 Cyl.)

| Illus. Ref. No. | Part Name | Group | Illus. Ref. No. | Part Name | Group |
|-----------------|--------------------------|-------|-----------------|---------------------------|-------|
| 1. | CUP—Diff. side bearing | 5.536 | 18. | SPACER—Pinion bearing | 5.453 |
| 2. | CONE—Diff. side bearing | 5.536 | 19. | SHIM—Bearing preload | 5.460 |
| 3/5. | CASE—Differential | 5.510 | 20. | BOLT—Cap to carrier | 5.506 |
| 4. | BOLT | 5.510 | 21. | BOLT—Adjusting nut | 5.539 |
| 5/3. | CASE—Differential | 5.510 | 22. | WASHER—Lock | 5.539 |
| 6. | GEAR—Diff. side | 5.528 | 23. | LOCK—Adjusting nut | 5.539 |
| 7. | PLATE—Preload spring | 5.511 | 24/26. | CARRIER & CAP ASSEMBLY | 5.505 |
| 8. | SPRING—Preload | 5.511 | 25. | NUT—Bearing adjusting | 5.537 |
| 9. | SHAFT—Pinion | 5.517 | 26/24. | CARRIER & CAP ASSEMBLY | 5.505 |
| 10. | WASHER—Thrust | 5.542 | 27. | CUP—Pinion front bearing | 5.447 |
| 11. | PINION—Differential | 5.526 | 28. | CONE—Pinion front bearing | 5.447 |
| 13. | RING GEAR & PINION | 5.529 | 29. | SEAL—Pinion oil | 5.469 |
| 14. | SHIM—Pinion locating | 5.460 | 30. | FLANGE ASSEMBLY | 5.545 |
| 15. | SHIM—Pinion locating | 5.460 | 31. | WASHER—Flange nut | 5.545 |
| 16. | CONE—Pinion rear bearing | 5.484 | 32. | NUT—Flange retaining | 5.545 |
| 17. | CUP—Pinion rear bearing | 5.484 | | | |



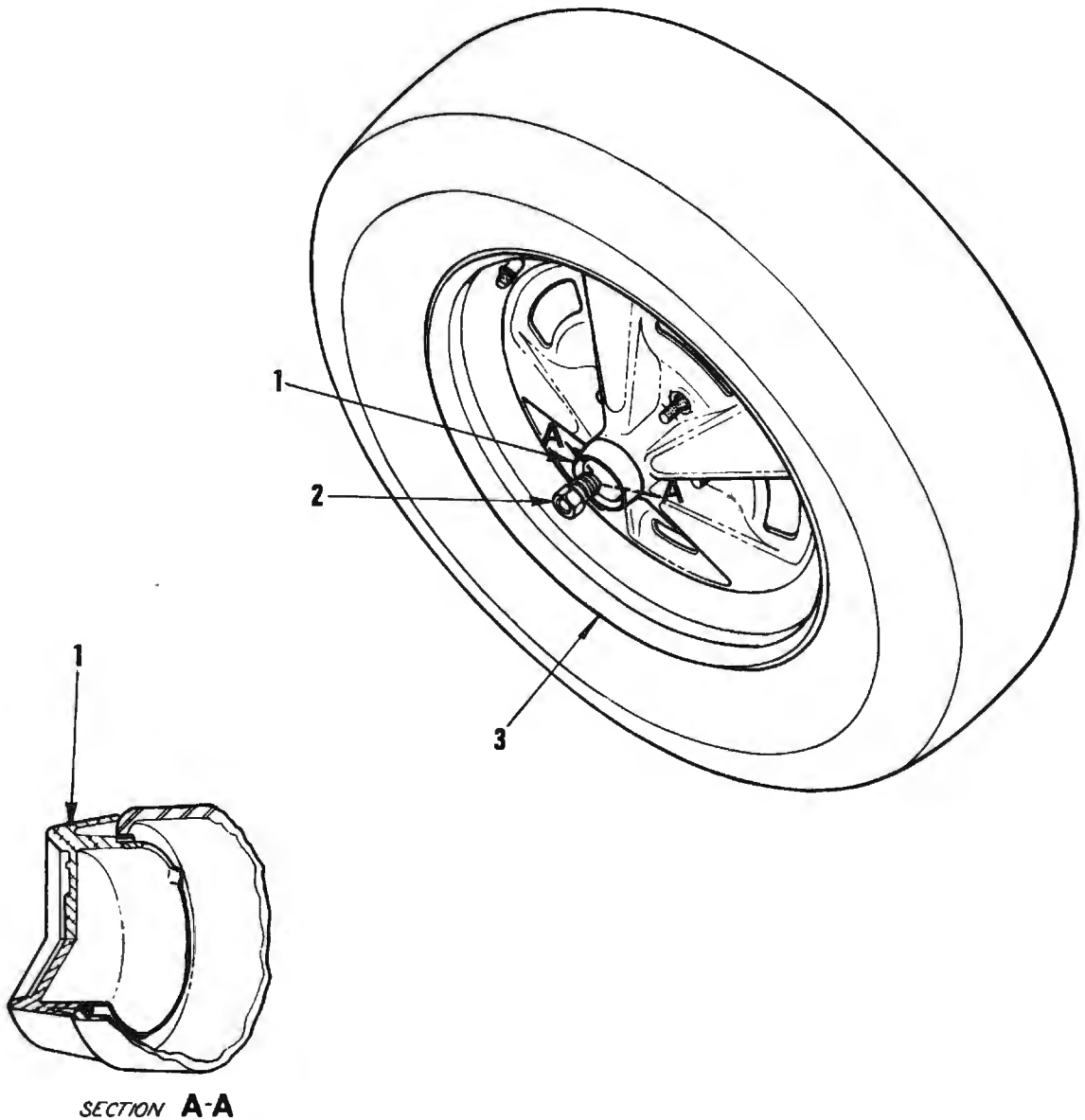
REAR AXLE ASSEMBLY

| ILLUS. REF. NO. | PART NAME | GROUP | ILLUS. REF. NO. | PART NAME | GROUP |
|-----------------|---------------------------------|-------|-----------------|-----------------------------------|-------|
| 1. | RING | 5.816 | 16. | WASHER - Flange nut | 5.545 |
| 2. | BEARING - Axle shaft | 5.855 | 17. | FLANGE ASSEMBLY | 5.545 |
| 3. | RETAINER | 5.816 | 18. | NUT - Flange retaining | 5.545 |
| 4. | DRUM ASSEMBLY - Brake | 5.809 | 19. | SEAL | 5.469 |
| 5. | SEAL | 5.822 | 20. | BEARING - Pinion front | 5.447 |
| 6. | SHAFT - Axle | 5.420 | 21. | SPACER - Pinion bearing | 5.453 |
| 7. | NUT - Wheel hub | 5.813 | 22. | HOUSING ASSEMBLY | 5.387 |
| 8. | BOLT - Wheel hub | 5.812 | 23. | BEARING - Pinion rear | 5.484 |
| 9. | CABLE & CONDUIT ASSEMBLY | 4.826 | 24. | RING GEAR & PINION ASSEMBLY | 5.529 |
| 10. | CASE | 5.510 | 25. | SHIM - Adjusting | 5.537 |
| 11. | BOLT | 5.531 | 26. | GEAR - Differential side | 5.528 |
| 12. | WASHER - Side gear thrust | 5.543 | 27. | SHAFT - Pinion | 5.517 |
| 13. | WASHER - Pinion thrust | 5.542 | 28. | BEARING - Side | 5.536 |
| 14. | SHIM - Pinion locating | 5.460 | 29. | PINION | 5.526 |
| 15. | SHIM - Pinion preload | 5.460 | 30. | BOLT - Cap to housing | 5.506 |



ROAD WHEEL

| ILLUS. REF. NO. | PART NAME | GROUP | ILLUS. REF. NO. | PART NAME | GROUP |
|--------------------|-----------------------------------|-------|--------------------|-------------------------|-------|
| 1. | COVER - Front wheel bearing | 5.858 | 4. | RING - Wheel trim | 5.871 |
| 2. | NUT - Wheel hub bolt | 5.813 | 5. | CAP - Wheel hub | 5.858 |
| 3. | WHEEL ASSEMBLY - Road | 5.803 | | | |



ROAD WHEEL – Rally Type

| ILLUS. REF. NO. | PART NAME | GROUP | ILLUS. REF. NO. | PART NAME | GROUP |
|-----------------|----------------------------|-------|-----------------|-----------------------------|-------|
| 1. | TRIM – Wheel centre | 5.871 | 3. | WHEEL ASSEMBLY – Road | 5.803 |
| 2. | NUT – Wheel hub bolt | 5.813 | | | |

"HQ" PARTS CATALOGUE

| GROUP | DESCRIPTION | MODEL | SIDE | PART No. | QTY. |
|--------------|---|------------------------|------|----------|------|
| 5.382 | ARM ASSEMBLY – Rear axle control | | | | |
| | ARM ASSEMBLY – Upper | 35, 37, 69 | | 7449283 | 2 |
| | BUSH ASSEMBLY | 35, 37, 69 | | 2807098 | 4 |
| | BAR ASSEMBLY – Upper arm mounting | 35, 37, 69 | | 2809328 | 1 |
| | ARM ASSEMBLY – Lower | (M) 35, 37, 69 | | 9931610 | 2 |
| | ARM ASSEMBLY – Lower | (A) 35, 37, 69 | | 2811213 | 2 |
| | BUSH ASSEMBLY | (M) 35, 37, 69 | | 2807098 | 4 |
| | BUSH ASSEMBLY – (Special service) | (M) 35, 37, 69 | | 2829826 | 4 |
| | BUSH ASSEMBLY | (A) 35, 37, 69 | | 2805716 | 4 |
| | BRACKET ASSEMBLY – Front mounting | 35, 37, 69 | LH | 2811261 | 1 |
| | | | RH | 2811262 | 1 |
| | NUT – Hex. ½" – 13 Lock | 35, 37, 69 | | 9422301 | 8 |
| | BOLT – Hex. ½" – 13 x 3.63" | 35, 37, 69 | | SP2452 | 8 |
| 5.386 | AXLE ASSEMBLY – Rear | | | | |
| | Production Rear Axle Assemblies will be supplied on a firm order basis. | | | | |
| 5.387 | HOUSING ASSEMBLY – Rear axle | | | | |
| | HOUSING ASSEMBLY – 3.08 : 1 A.R. | 6 Cyl. Eng. 35, 37, 69 | | 2812101 | 1 |
| | HOUSING ASSEMBLY – 3.36 : 1, 3.55 : 1, 3.90 : 1 A.R. | 6 Cyl. Eng. 35, 37, 69 | | 2811819 | 1 |
| | HOUSING ASSEMBLY | 6 Cyl. Eng. 60 | | 2824813 | 1 |
| | HOUSING ASSEMBLY – 3.08 : 1 A.R. | 6 Cyl. Eng. 70, 80 | | 2812606 | 1 |
| | HOUSING ASSEMBLY – 3.36 : 1, 3.55 : 1, 3.90 : 1 A.R. | 6 Cyl. Eng. 70, 80 | | 2812605 | 1 |
| | HOUSING ASSEMBLY | 8 Cyl. Eng. 35, 37, 69 | | 2820516 | 1 |
| | HOUSING ASSEMBLY | 8 Cyl. Eng. 70, 80 | | 2820515 | 1 |
| | BREATHER ASSEMBLY | ALL | | 7415204 | 1 |
| | BOLT – Axle housing | 6 Cyl. Eng. exc. 60 | | 2812109 | 6-7 |
| | WASHER – Aluminium | 6 Cyl. Eng. exc. 60 | | 7418548 | 6-7 |
| 5.395 | BUMPER ASSEMBLY, BRACKET – Pinion nose | | | | |
| | BUMPER ASSEMBLY | 6 Cyl. Eng. 35, 37, 69 | | 2825635 | 1 |
| | BUMPER ASSEMBLY | 6 Cyl. Eng. 60, 70, 80 | | 2825652 | 1 |
| | BUMPER ASSEMBLY | 8 Cyl. Eng. | | 2809235 | 1 |
| | BRACKET – Bumper | 60, 70, 80 | | 2812442 | 1 |
| 5.398 | COVER – Rear axle housing | | | | |
| | COVER | 6 Cyl. Eng. 60 | | 7449737 | 1 |
| | COVER | 8 Cyl. Eng. | | 7449737 | 1 |
| 5.399 | GASKET – Rear axle housing cover | | | | |
| | GASKET | 6 Cyl. Eng. 60 | | 7449801 | 1 |
| | GASKET | 8 Cyl. Eng. | | 7449801 | 1 |
| 5.400 | PLUG – Axle housing | | | | |
| | PLUG – Filler | ALL | | 7400181 | 1 |
| | GASKET – Plug | ALL | | 113897 | 1 |
| | PLUG – Drain – Bolt hex. hd. ¾" – 24 x 3¼", 3.08 : 1 A.R. | 6 Cyl. Eng. exc. 60 | | 186309 | 1 |
| | PLUG – Drain – Bolt hex. hd. ¾" – 24 x 7/8", 3.36 : 1, 3.55 : 1, 3.90 : 1 A.R. | 6 Cyl. Eng. exc. 60 | | 106285 | 1 |
| | GASKET – Drain plug | 6 Cyl. Eng. exc. 60 | | 7400256 | 1 |
| 5.420 | SHAFT – Rear axle | | | | |
| | SHAFT | 6 Cyl. Eng. exc. 60 | | 2820205 | 2 |
| | SHAFT | 6 Cyl. Eng. 60 | | 2825542 | 2 |
| | SHAFT | 8 Cyl. Eng. | | 2820206 | 2 |

"HQ" PARTS CATALOGUE

| GROUP | DESCRIPTION | MODEL | SIDE | PART No. | QTY. |
|--------------|-----------------------------------|---|------|----------|------|
| 5.441 | SHAFT ASSEMBLY – Propeller | | | | |
| | SHAFT – With joints | Belmont Sedan, Kingswood Sedan, Premier Sedan, Monaro with 6 Cyl. Eng. | | 2814337 | 1 |
| | SHAFT – With joints | (A) S/Wagon, Statesman, P/Van, Utility with 6 Cyl. Eng. | | 2814338 | 1 |
| | SHAFT – With joints | (M) S/Wagon, Statesman, P/Van, Utility with 6 Cyl. Eng. | | 2814287 | 1 |
| | SHAFT – With joints | Chassis & Cab with 6 Cyl. Eng. | (** | 9929974 | 1 |
| | SHAFT – With joints | Chassis & Cab with 253 Eng. | | 9929265 | 1 |
| | SHAFT – With joints | Belmont Sedan, Kingswood Sedan, Premier Sedan, Monaro with 253, 308 Eng. | | 2814339 | 1 |
| | SHAFT – With joints | Premier Sedan, Monaro LS with 350 Eng. Turbo Hydramatic | | 2816245 | 1 |
| | SHAFT – With joints | S/Wagon with 253, 308 Eng. | | 2814340 | 1 |
| | SHAFT – With joints | (M) Statesman with 253, 308 Eng. | | 2814340 | 1 |
| | SHAFT – With joints | (A) Statesman with 253, 308 Eng. | | 9930700 | 1 |
| | SHAFT – With joints | Statesman with 350 Eng. Turbo Hydramatic | | 2816110 | 1 |
| | SHAFT – With joints | GTS with 350 Eng. | | 2816245 | 1 |
| 5.447 | BEARING – Pinion front | | | | |
| | CUP | 6 Cyl. Eng. exc. 60 | | 7421671 | 1 |
| | CONE | 6 Cyl. Eng. exc. 60 | | 7421672 | 1 |
| | CUP | 6 Cyl. Eng. 60 | | 7449532 | 1 |
| | CONE | 6 Cyl. Eng. 60 | | 7449533 | 1 |
| | CUP | 8 Cyl. Eng. | | 7449532 | 1 |
| | CONE | 8 Cyl. Eng. | | 7449533 | 1 |
| 5.453 | SPACER – Pinion bearing | | | | |
| | SPACER | 6 Cyl. Eng. exc. 60 | | 7421664 | 1 |
| | SPACER | 6 Cyl. Eng. 60 | | 7449858 | 1 |
| | SPACER | 8 Cyl. Eng. | | 7449858 | 1 |
| 5.460 | SHIM – Pinion bearing | | | | |
| | PRELOAD | 6 Cyl. Eng. exc. 60 | | 7425653 | A.R. |
| | LOCATING – .005" | 6 Cyl. Eng. exc. 60 | | 7408094 | A.R. |
| | LOCATING – .006" | 6 Cyl. Eng. exc. 60 | | 7408095 | A.R. |
| | LOCATING – .007" | 6 Cyl. Eng. exc. 60 | | 7408096 | A.R. |
| | LOCATING – .008" | 6 Cyl. Eng. exc. 60 | | 7408097 | A.R. |
| | LOCATING – .009" | 6 Cyl. Eng. exc. 60 | | 7408098 | A.R. |
| | LOCATING – .010" | 6 Cyl. Eng. exc. 60 | | 7408099 | A.R. |
| | LOCATING – .015" | 6 Cyl. Eng. exc. 60 | | 7408100 | A.R. |
| | PRELOAD | 6 Cyl. Eng. 60 | | 7449861 | A.R. |
| | LOCATING – .005" | 6 Cyl. Eng. 60 | | 2814958 | A.R. |
| | LOCATING – .006" | 6 Cyl. Eng. 60 | | 2814959 | A.R. |
| | LOCATING – .007" | 6 Cyl. Eng. 60 | | 2814960 | A.R. |
| | LOCATING – .008" | 6 Cyl. Eng. 60 | | 2814961 | A.R. |
| | LOCATING – .009" | 6 Cyl. Eng. 60 | | 2814962 | A.R. |
| | LOCATING – .010" | 6 Cyl. Eng. 60 | | 2814963 | A.R. |
| | LOCATING – .015" | 6 Cyl. Eng. 60 | | 2814964 | A.R. |
| | PRELOAD | 8 Cyl. Eng. | | 7449861 | A.R. |
| | LOCATING – .005" | 8 Cyl. Eng. | | 2814958 | A.R. |
| | LOCATING – .006" | 8 Cyl. Eng. | | 2814959 | A.R. |
| | LOCATING – .007" | 8 Cyl. Eng. | | 2814960 | A.R. |
| | LOCATING – .008" | 8 Cyl. Eng. | | 2814961 | A.R. |
| | LOCATING – .009" | 8 Cyl. Eng. | | 2814962 | A.R. |
| | LOCATING – .010" | 8 Cyl. Eng. | | 2814963 | A.R. |
| | LOCATING – .015" | 8 Cyl. Eng. | | 2814964 | A.R. |

Note: (** When using propeller shaft 9929974 use diff pinion flange 2818092.

"HQ" PARTS CATALOGUE

| GROUP | DESCRIPTION | MODEL | SIDE | PART No. | QTY. |
|--------------|---|---|------|----------|------|
| 5.469 | SEAL – Rear axle pinion oil | | | | |
| | SEAL | 6 Cyl. Eng. exc. 60 | | 7421648 | 1 |
| | SEAL | 6 Cyl. Eng. 60 | | 7449859 | 1 |
| | SEAL | 8 Cyl. Eng. | | 7449859 | 1 |
| 5.484 | BEARING ASSEMBLY – Pinion rear | | | | |
| | CUP | 6 Cyl. Eng. exc. 60 | | 7421645 | 1 |
| | CONE | 6 Cyl. Eng. exc. 60 | | 7421646 | 1 |
| | CUP | 6 Cyl. Eng. 60 | | 7449535 | 1 |
| | CONE | 6 Cyl. Eng. 60 | | 7449536 | 1 |
| | CUP | 8 Cyl. Eng. | | 7449535 | 1 |
| | CONE | 8 Cyl. Eng. | | 7449536 | 1 |
| 5.504 | DIFFERENTIAL and CARRIER ASSEMBLY | | | | |
| | DIFFERENTIAL & CARRIER ASSY. – 3.08:1 A.R. | Regular Type, 6 Cyl. Eng. exc. 60 | | 2809015 | 1 |
| | DIFFERENTIAL & CARRIER ASSY. – 3.08:1 A.R. | Limited Slip Diff., 6 Cyl. Eng. exc. 60 | | 2809014 | 1 |
| | DIFFERENTIAL & CARRIER ASSY. – 3.36:1 A.R. | Regular Type, 6 Cyl. Eng. exc. 60 | | 7421719 | 1 |
| | DIFFERENTIAL & CARRIER ASSY. – 3.36:1 A.R. | Limited Slip Diff., 6 Cyl. Eng. exc. 60 | | 7430869 | 1 |
| | DIFFERENTIAL & CARRIER ASSY. – 3.55:1 A.R. | Regular Type, 6 Cyl. Eng. exc. 60 | | 7421475 | 1 |
| | DIFFERENTIAL & CARRIER ASSY. – 3.55:1 A.R. | Limited Slip Diff., 6 Cyl. Eng. exc. 60 | | 7430870 | 1 |
| | DIFFERENTIAL & CARRIER ASSY. – 3.90:1 A.R. | Regular Type, 6 Cyl. Eng. exc. 60 | | 7425931 | 1 |
| | DIFFERENTIAL & CARRIER ASSY. – 3.90:1 A.R. | Limited Slip Diff., 6 Cyl. Eng. exc. 60 | | 7430871 | 1 |
| 5.505 | CARRIER and CAP ASSEMBLY – Differential | | | | |
| | CARRIER & CAP ASSY. – 3.08:1 A.R. | 6 Cyl. Eng. exc. 60 | | 7435382 | 1 |
| | CARRIER & CAP ASSY. – 3.36:1, 3.55:1, 3.90:1 A.R. | 6 Cyl. Eng. exc. 60 | | 7421813 | 1 |
| 5.506 | BOLT – Differential carrier | | | | |
| | BOLT – Cap to carrier 3½" | 6 Cyl. Eng. exc. 60 | | 7421647 | 2 |
| | BOLT – Cap to carrier 1¾" | 6 Cyl. Eng. exc. 60 | | 7421673 | 2 |
| | BOLT – Cap to housing | 6 Cyl. Eng. 60 | | 7449627 | 4 |
| | BOLT – Cap to housing | 8 Cyl. Eng. | | 7449627 | 4 |
| 5.508 | GASKET – Axle housing to differential carrier | | | | |
| | GASKET | 6 Cyl. Eng. exc. 60 | | 7435153 | 1 |
| 5.510 | CASE – Differential | | | | |
| | CASE – 3.08:1 A.R. | Regular Type, 6 Cyl. Eng. exc. 60 | | 7435546 | 1 |
| | CASE – Complete with internal components, 3.08:1 A.R. | Limited Slip Diff., 6 Cyl. Eng. exc. 60 | | 2808124 | 1 |
| | CASE – 3.08:1 A.R. | Limited Slip Diff., 6 Cyl. Eng. exc. 60 | | VS10886 | 1 |
| | CASE – 3.36:1, 3.55:1, 3.90:1 A.R. | Regular Type, 6 Cyl. Eng. exc. 60 | | 7438144 | 1 |
| | CASE – Complete with internal components, 3.36:1, 3.55:1, 3.90:1 A.R. | Limited Slip Diff., 6 Cyl. Eng. exc. 60 | | 7432638 | 1 |
| | CASE – 3.36:1, 3.55:1, 3.90:1 A.R. | Limited Slip Diff., 6 Cyl. Eng. exc. 60 | | VS10392 | 1 |
| | CASE – 2.78:1 A.R. | Regular Type, 8 Cyl. Eng. | | 7449489 | 1 |
| | CASE – Complete with internal components, 2.78:1 A.R. | Limited Slip Diff., 8 Cyl. Eng. | | 2812617 | 1 |
| | CASE – 2.78:1 A.R. | Limited Slip Diff., 8 Cyl. Eng. | | VS12008 | 1 |
| | CASE | Regular Type, 6 Cyl. Eng. 60 | | 7449490 | 1 |
| | CASE – 3.08:1, 3.36:1, 3.55:1 A.R. | Regular Type, 8 Cyl. Eng. | | 7449490 | 1 |
| | CASE – Complete with internal components | Limited Slip Diff., 6 Cyl. Eng. 60 | | 2812618 | 1 |
| | CASE | Limited Slip Diff., 6 Cyl. Eng. 60 | | VS12007 | 1 |
| | CASE – Complete with internal components, 3.08:1, 3.36:1, 3.55:1 A.R. | Limited Slip Diff., 8 Cyl. Eng. | | 2812618 | 1 |
| | CASE – 3.08:1, 3.36:1, 3.55:1 A.R. | Limited Slip Diff., 8 Cyl. Eng. | | VS12007 | 1 |

"HQ" PARTS CATALOGUE

| GROUP | DESCRIPTION | MODEL | SIDE | PART No. | QTY. |
|--------------|---|---|------|----------|------|
| 5.511 | SPRING, BLOCK – Differential | | | | |
| | SPRING – Preload | Limited Slip Diff., 6 Cyl. Eng. exc. 60 | | VS10371 | 4 |
| | SPRING – Preload | Limited Slip Diff., 6 Cyl. Eng. 60 | | VS12179 | 4 |
| | SPRING – Preload | Limited Slip Diff., 8 Cyl. Eng. | | VS12179 | 4 |
| | BLOCK – Preload spring | Limited Slip Diff., 6 Cyl. Eng. exc. 60 | | VS10373 | 2 |
| | BLOCK – Preload spring | Limited Slip Diff., 6 Cyl. Eng. 60 | | VS12181 | 2 |
| | BLOCK – Preload spring | Limited Slip Diff., 8 Cyl. Eng. | | VS12181 | 2 |
| 5.517 | SHAFT – Differential pinion | | | | |
| | SHAFT | Regular Type, 6 Cyl. Eng. exc. 60 | | 7411921 | 1 |
| | SHAFT | Limited Slip Diff., 6 Cyl. Eng. exc. 60 | | VS10369 | 1 |
| | SHAFT | Regular Type, 6 Cyl. Eng. 60 | | 2820345 | 1 |
| | SHAFT | Regular Type, 8 Cyl. Eng. | | 2820345 | 1 |
| | SHAFT – Pinion shaft | Limited Slip Diff., 6 Cyl. Eng. 60 | | VS12177 | 1 |
| | SHAFT – Pinion shaft | Limited Slip Diff., 8 Cyl. Eng. | | VS12177 | 1 |
| 5.518 | PIN – Differential shaft lock | | | | |
| | PIN – Spring, 1/4" x 1 1/8" | Regular Type | | 453670 | 1 |
| | PIN | Limited Slip Diff., 6 Cyl. Eng. exc. 60 | | VS10372 | 1 |
| | PIN | Limited Slip Diff., 6 Cyl. Eng. 60 | | VS12180 | 1 |
| | PIN | Limited Slip Diff., 8 Cyl. Eng. | | VS12180 | 1 |
| 5.526 | PINION – Differential | | | | |
| | PINION | Regular Type, 6 Cyl. Eng. 60 | | 7449383 | 2 |
| | PINION | Regular Type, 8 Cyl. Eng. | | 7449383 | 2 |
| 5.527 | GEAR SET – Differential | | | | |
| | GEAR SET – 2 side gears, 2 pinions | Regular Type, 6 Cyl. Eng. exc. 60 | | 7438035 | 1 |
| | GEAR SET – 2 side gears, 2 pinions | Limited Slip Diff., 6 Cyl. Eng. exc. 60 | | VS10393 | 1 |
| | GEAR SET – 2 side gears, 2 pinions | Limited Slip Diff., 6 Cyl. Eng. 60 | | VS12184 | 1 |
| | GEAR SET – 2 side gears, 2 pinions | Limited Slip Diff., 8 Cyl. Eng. | | VS12184 | 1 |
| 5.528 | GEAR – Differential side | | | | |
| | GEAR | Regular Type, 6 Cyl. Eng. 60 | | 7449382 | 2 |
| | GEAR | Regular Type, 8 Cyl. Eng. | | 7449382 | 2 |
| 5.529 | RING GEAR and PINION ASSEMBLY | | | | |
| | RING GEAR & PINION ASSEMBLY – 3.08:1 A.R. | 6 Cyl. Eng. exc. 60 | | 7437392 | 1 |
| | RING GEAR & PINION ASSEMBLY – 3.36:1 A.R. | 6 Cyl. Eng. exc. 60 | | 7438806 | 1 |
| | RING GEAR & PINION ASSEMBLY – 3.55:1 A.R. | 6 Cyl. Eng. exc. 60 | | 7423279 | 1 |
| | RING GEAR & PINION ASSEMBLY – 3.90:1 A.R. | 6 Cyl. Eng. exc. 60 | | 7436736 | 1 |
| | RING GEAR & PINION ASSEMBLY – 3.08:1 A.R. | 6 Cyl. Eng. 60 | | 7449218 | 1 |
| | RING GEAR & PINION ASSEMBLY – 3.36:1 A.R. | 6 Cyl. Eng. 60 | | 2813156 | 1 |
| | RING GEAR & PINION ASSEMBLY – 3.55:1 A.R. | 6 Cyl. Eng. 60 | | 7449215 | 1 |
| | RING GEAR & PINION ASSEMBLY – 2.78:1 A.R. | 8 Cyl. Eng. | | 2813155 | 1 |
| | RING GEAR & PINION ASSEMBLY – 3.08:1 A.R. | 8 Cyl. Eng. | | 7449218 | 1 |
| | RING GEAR & PINION ASSEMBLY – 3.36:1 A.R. | 8 Cyl. Eng. | | 2813156 | 1 |
| | RING GEAR & PINION ASSEMBLY – 3.55:1 A.R. | 8 Cyl. Eng. | | 7449215 | 1 |
| 5.531 | BOLT – Ring gear | | | | |
| | BOLT | 6 Cyl. Eng. exc. 60 | | 7421634 | 8 |
| | BOLT | 6 Cyl. Eng. 60 | | 5257956 | 10 |
| | BOLT | 8 Cyl. Eng. | | 5257956 | 10 |
| 5.536 | BEARING ASSEMBLY – Differential side | | | | |
| | CUP | 6 Cyl. Eng. exc. 60 | | 7421642 | 2 |
| | CONE | 6 Cyl. Eng. exc. 60 | | 7421643 | 2 |
| | CUP | 6 Cyl. Eng. 60 | | 9420096 | 2 |
| | CONE | 6 Cyl. Eng. 60 | | 7449509 | 2 |
| | CUP | 8 Cyl. Eng. | | 9420096 | 2 |
| | CONE | 8 Cyl. Eng. | | 7449509 | 2 |

"HQ" PARTS CATALOGUE

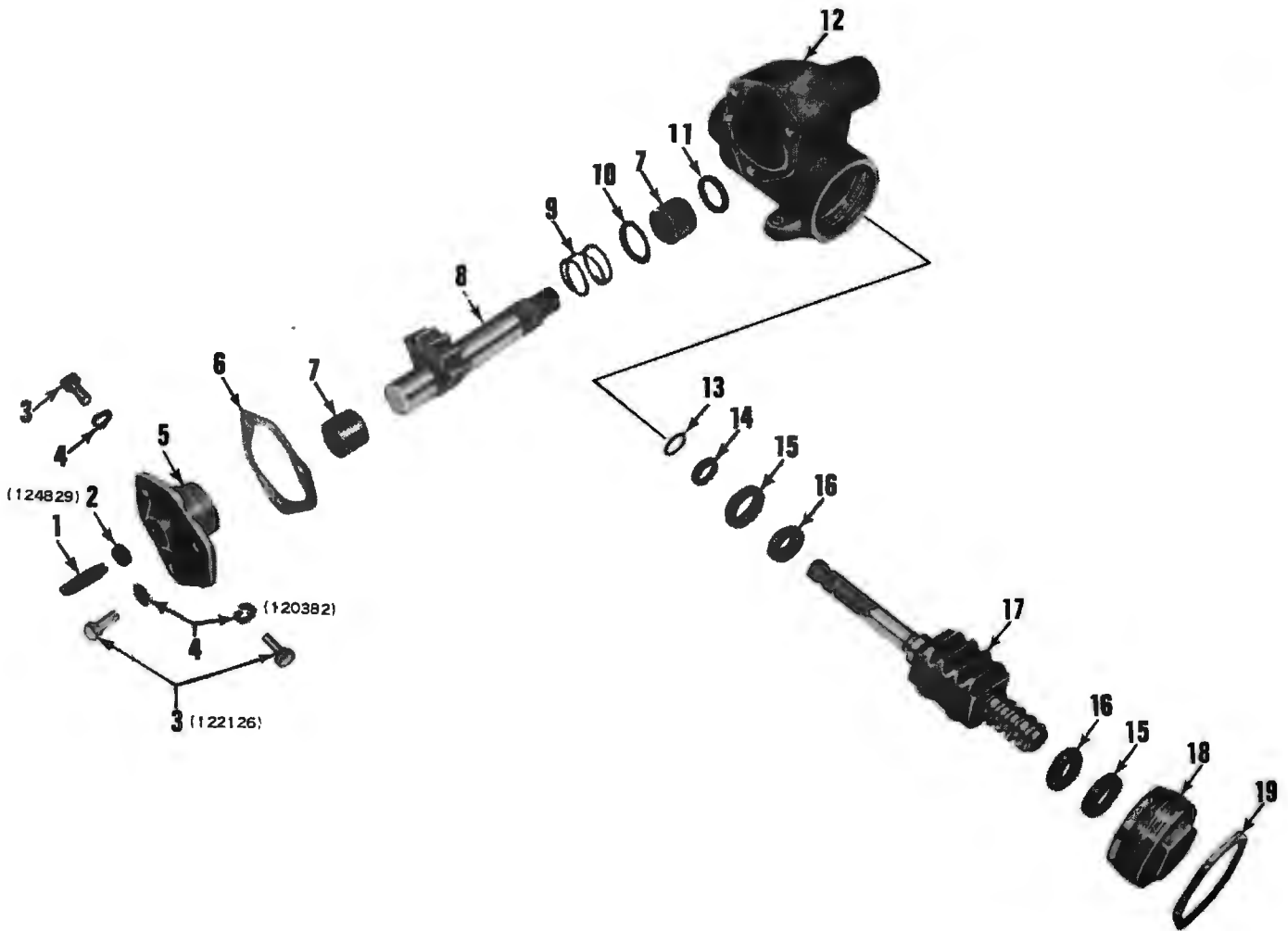
| GROUP | DESCRIPTION | MODEL | SIDE | PART No. | QTY. |
|--------------|---|---|------|----------|------|
| 5.537 | NUT, SHIM, SPACER – Differential side bearing | | | | |
| | NUT - Adjusting | 6 Cyl. Eng. exc. 60 | | 7421650 | 2 |
| | SHIM UNIT - .052" - .056" | 6 Cyl. Eng. 60 | | 3907088 | A.R. |
| | SHIM UNIT - .058" - .062" | 6 Cyl. Eng. 60 | | 3907089 | A.R. |
| | SHIM UNIT - .064" - .070" | 6 Cyl. Eng. 60 | | 3853759 | A.R. |
| | SHIM UNIT - .072" - .078" | 6 Cyl. Eng. 60 | | 3853760 | A.R. |
| | SHIM UNIT - .080" - .086" | 6 Cyl. Eng. 60 | | 3853761 | A.R. |
| | SHIM UNIT - .088" - .094" | 6 Cyl. Eng. 60 | | 3853762 | A.R. |
| | SHIM UNIT - .096" - .100" | 6 Cyl. Eng. 60 | | 3853912 | A.R. |
| | SPACER - .170" - .172" | 6 Cyl. Eng. 60 | | 9775809 | A.R. |
| | SHIM UNIT - .052" - .056" | 8 Cyl. Eng. | | 3907088 | A.R. |
| | SHIM UNIT - .058" - .062" | 8 Cyl. Eng. | | 3907089 | A.R. |
| | SHIM UNIT - .064" - .070" | 8 Cyl. Eng. | | 3853759 | A.R. |
| | SHIM UNIT - .072" - .078" | 8 Cyl. Eng. | | 3853760 | A.R. |
| | SHIM UNIT - .080" - .086" | 8 Cyl. Eng. | | 3853761 | A.R. |
| | SHIM UNIT - .088" - .094" | 8 Cyl. Eng. | | 3853762 | A.R. |
| | SHIM UNIT - .096" - .100" | 8 Cyl. Eng. | | 3853912 | A.R. |
| | SPACER - .170" - .172" | 8 Cyl. Eng. | | 9775809 | A.R. |
| 5.539 | LOCK – Differential side bearing adjusting nut | | | | |
| | LOCK | 6 Cyl. Eng. exc. 60 | | 7407400 | 2 |
| | SCREW - Bearing adjusting nut | 6 Cyl. Eng. exc. 60 | | 106973 | 2 |
| 5.542 | WASHER – Differential pinion thrust | | | | |
| | WASHER | Regular Type, 6 Cyl. Eng. exc. 60 | | 7400280 | 2 |
| | WASHER | Limited Slip Diff., 6 Cyl. Eng. exc. 60 | | VS10370 | 2 |
| | WASHER | Regular Type, 6 Cyl. Eng. 60 | | 7449389 | 2 |
| | WASHER | Regular Type, 8 Cyl. Eng. | | 7449389 | 2 |
| | WASHER | Limited Slip Diff., 6 Cyl. Eng. 60 | | VS12178 | 2 |
| | WASHER | Limited Slip Diff., 8 Cyl. Eng. | | VS12178 | 2 |
| 5.543 | WASHER, SHIM – Differential side gear thrust | | | | |
| | WASHER | Regular Type, 6 Cyl. Eng. exc. 60 | | 7400279 | 2 |
| | SHIM - .005" | Limited Slip Diff., 6 Cyl. Eng. exc. 60 | | VS10374 | A.R. |
| | SHIM - .010" | Limited Slip Diff., 6 Cyl. Eng. exc. 60 | | VS10375 | A.R. |
| | WASHER | Regular Type, 6 Cyl. Eng. 60 | | 7449355 | 2 |
| | WASHER | Regular Type, 8 Cyl. Eng. | | 7449355 | 2 |
| | SHIM - .005" | Limited Slip Diff., 6 Cyl. Eng. 60 | | VS12182 | A.R. |
| | SHIM - .005" | Limited Slip Diff., 8 Cyl. Eng. | | VS12182 | A.R. |
| | SHIM - .010" | Limited Slip Diff., 6 Cyl. Eng. 60 | | VS12183 | A.R. |
| | SHIM - .010" | Limited Slip Diff., 8 Cyl. Eng. | | VS12183 | A.R. |
| 5.545 | FLANGE, DEFLECTOR, NUT – Differential pinion | | | | |
| | FLANGE ASSEMBLY | 6 Cyl. Eng. exc. 60 | | 7422731 | 1 |
| | FLANGE ASSEMBLY - (Suit 1/4" dia. "U" bolts) | 6 Cyl. Eng. 60 | | 7449470 | 1 |
| | FLANGE ASSEMBLY - (Suit 3/8" dia. "U" bolts) | 60 | | 2818092 | 1 |
| | FLANGE ASSEMBLY | 253, 308 Eng. | | 7449470 | 1 |
| | FLANGE ASSEMBLY | 350 Eng. | | 2818092 | 1 |
| | DEFLECTOR | 6 Cyl. Eng. exc. 60 | | 7421668 | 1 |
| | DEFLECTOR | 6 Cyl. Eng. 60 | | 7449472 | 1 |
| | DEFLECTOR | 8 Cyl. Eng. | | 7449472 | 1 |
| | NUT - Flange retaining | 6 Cyl. Eng. exc. 60 | | 7421651 | 1 |
| | NUT - Flange retaining | 6 Cyl. Eng. 60 | | 3752901 | 1 |
| | NUT - Flange retaining | 8 Cyl. Eng. | | 3752901 | 1 |
| | WASHER - Flange nut | 6 Cyl. Eng. exc. 60 | | 7421649 | 1 |
| | WASHER - Flange nut | 6 Cyl. Eng. 60 | | 3714792 | 1 |
| | WASHER - Flange nut | 8 Cyl. Eng. | | 3714792 | 1 |
| 5.546 | PLATE – Differential pinion flange | | | | |
| | PLATE - Lock | 173, 202, 253, 308 Eng. exc. 60 | | 7422733 | 2 |
| | PLATE - Lock (suit 1/4" dia. "U" bolts) | 60 | | 7422733 | 2 |
| | PLATE - Lock (Suit 3/8" dia. "U" bolts) | 60 | | 2818093 | 2 |
| | PLATE - Lock | 350 Eng. | | 2818093 | 2 |

"HQ" PARTS CATALOGUE

| GROUP | DESCRIPTION | MODEL | SIDE | PART No. | QTY. |
|--------------|--|---|------|----------|------|
| 5.548 | REPAIR KIT – Universal joint | | | | |
| | REPAIR KIT – Front | 173, 202 Eng. exc. 60 | | VS10604 | 1 |
| | REPAIR KIT – Front (use with propeller shaft 2815045) | 173, 202 Eng. 60 | | VS10604 | 1 |
| | REPAIR KIT – Front | 253, 308 Eng. exc. 60 | | VS10606 | 1 |
| | REPAIR KIT – Front (use with propeller shaft 9929974, 9929265) | 60 | | VS11361 | 1 |
| | REPAIR KIT – Rear | 173, 202 Eng. exc. 60 | | VS10605 | 1 |
| | REPAIR KIT – Rear (use with propeller shaft 2815045) | 173, 202 Eng. 60 | | VS10605 | 1 |
| | REPAIR KIT – Rear | 253,308 Eng. exc. 60 | | VS10607 | 1 |
| | REPAIR KIT – Rear (use with propeller shaft 9929974, 9929265) | 60 | | VS12144 | 1 |
| | REPAIR KIT – Front | 350 Eng. | | VS12143 | 1 |
| | REPAIR KIT – Rear | 350 Eng. | | VS12144 | 1 |
| 5.555 | YOKE – Universal joint | | | | |
| | YOKE ASSEMBLY – Front sleeve | 173, 202 Eng. exc. 60 | | 7427962 | 1 |
| | YOKE ASSEMBLY – Front sleeve (use with propeller shaft 2815045) | 173, 202 Eng. 60 | | 7427962 | 1 |
| | YOKE ASSEMBLY – Front sleeve | 253, 308 Eng. exc. 60 | | VS10608 | 1 |
| | YOKE ASSEMBLY – Front sleeve (use with propeller shaft 9929974, 9929265) | 60 | | VS11360 | 1 |
| | YOKE ASSEMBLY – Front sleeve | 350 Eng. | | VS12142 | 1 |
| 5.586 | "U" BOLT – Universal joint | | | | |
| | "U" BOLT – Rear | 173, 202 Eng. exc. 60 | | 7422734 | 2 |
| | "U" BOLT – Rear, ¼" dia. | 173, 202 Eng. 60 | | 7435386 | 2 |
| | "U" BOLT – Rear, ⅜" dia. | 60 | | 2818151 | 2 |
| | "U" BOLT – Rear | 253, 308 Eng. exc. 60 | | 7435386 | 2 |
| | "U" BOLT – Rear | 350 Eng. | | 2818151 | 2 |
| 5.803 | WHEEL ASSEMBLY – Road | | | | |
| | WHEEL ASSEMBLY – 5.00 x 14 | Belmont, Kingswood, Premier, Statesman, Monaro exc. SS, GTS | | 2815162 | 5 |
| | WHEEL ASSEMBLY – 6.00 x 14 | Chassis & Cab | | 2824784 | 5 |
| | WHEEL ASSEMBLY – 6.00 x 14 | Belmont, Kingswood, Premier, Statesman, Monaro exc. SS, GTS | | 2823652 | 5 |
| | WHEEL ASSEMBLY – 6.00 x 14 | Rally Type Wheel | | 492351 | 5 |
| 5.809 | DRUM ASSEMBLY – Brake | | | | |
| | DRUM ASSEMBLY – Front | Drum Brake | | 2819712 | 2 |
| | DRUM ASSEMBLY – Rear | ALL | | 2813229 | 2 |
| 5.812 | BOLT – Wheel hub | | | | |
| | FRONT & REAR | ALL | | 2823950 | 20 |
| 5.813 | NUT – Wheel hub bolt | | | | |
| | NUT | Exc. Rally Type Wheel | | 2808656 | 20 |
| | NUT | Rally Type Wheel | | 2825904 | 20 |
| 5.816 | RETAINER, RING – Rear axle bearing | | | | |
| | RETAINER | Exc. Chassis & Cab | | 2812102 | 2 |
| | RETAINER | Chassis & Cab | | 2823849 | 2 |
| | RING | Exc. Chassis & Cab | | 2812104 | 2 |
| | RING | Chassis & Cab | | 9928577 | 2 |
| 5.822 | SEAL – Rear axle bearing oil | | | | |
| | SEAL | ALL | | 2812103 | 2 |

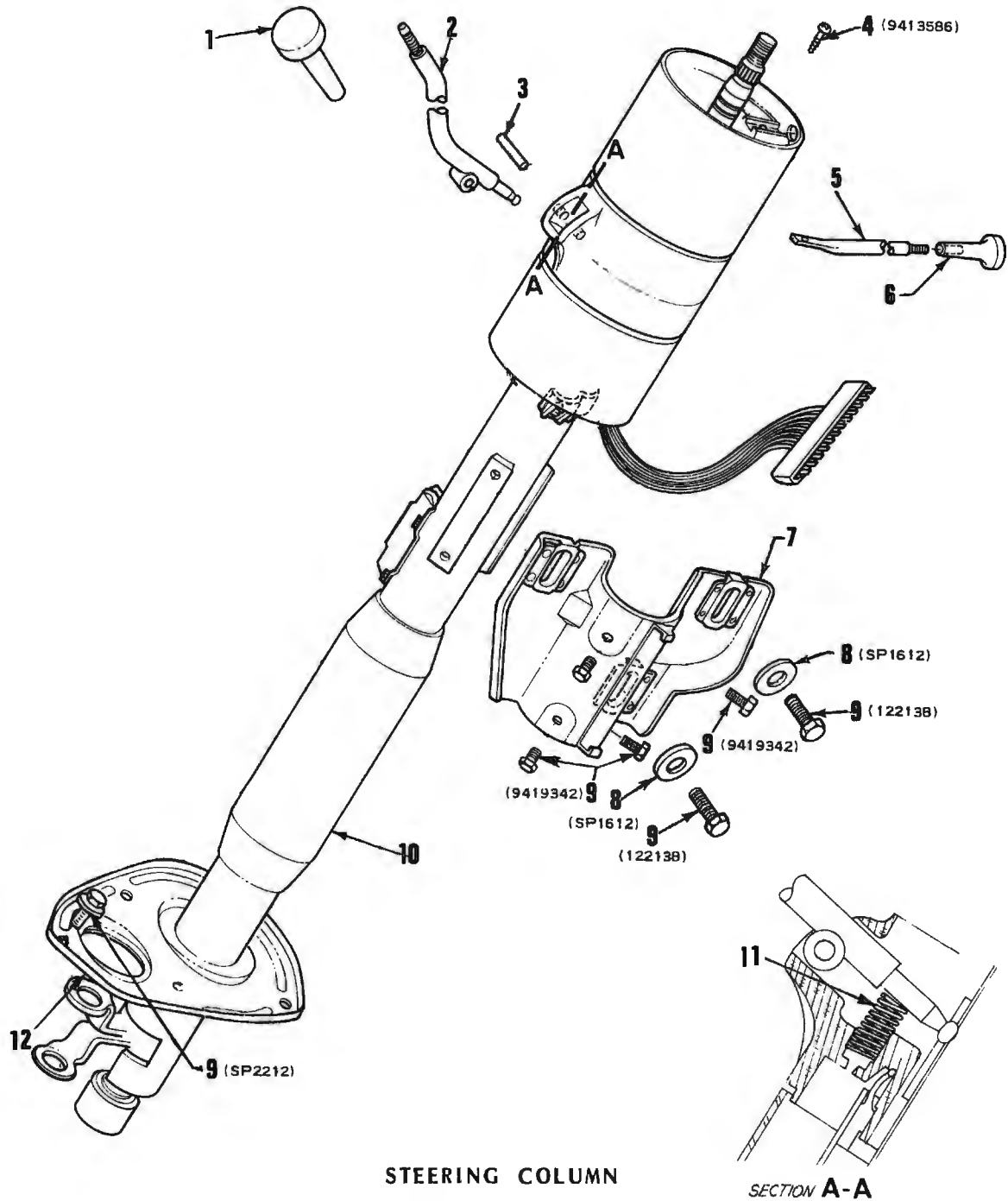
"HQ" PARTS CATALOGUE

| GROUP | DESCRIPTION | MODEL | SIDE | PART No. | QTY. |
|--------------|--------------------------------------|--|------|----------|------|
| 5.855 | BEARING ASSEMBLY – Axle shaft | | | | |
| | BEARING PACKAGE | Exc. Chassis & Cab | | 2823082 | 2 |
| | BEARING PACKAGE | Chassis & Cab | | 2825541 | 2 |
| 5.858 | CAP, COVER – Wheel hub | | | | |
| | CAP | Exc. Rally Type Wheel, Statesman, Chassis & Cab | | 2816230 | 4 |
| | CAP | Statesman | | 2820371 | 4 |
| | CAP | Chassis & Cab | | 2823649 | 4 |
| | COVER – Front wheel bearing | ALL | | 7413400 | 2 |
| 5.871 | RING – Wheel trim | | | | |
| | RING | 5.00 x 14 Wheel | | 2817332 | 4 |
| | PACKAGE - (Set of 4) | 6.00 x 14 Wheel | | 2823512 | 1 |
| | RING | 6.00 x 14 Wheel | | 2823098 | 4 |
| 5.871 | TRIM – Wheel centre | | | | |
| | TRIM | Rally Type Wheel | | 9928650 | 5 |



STEERING GEAR

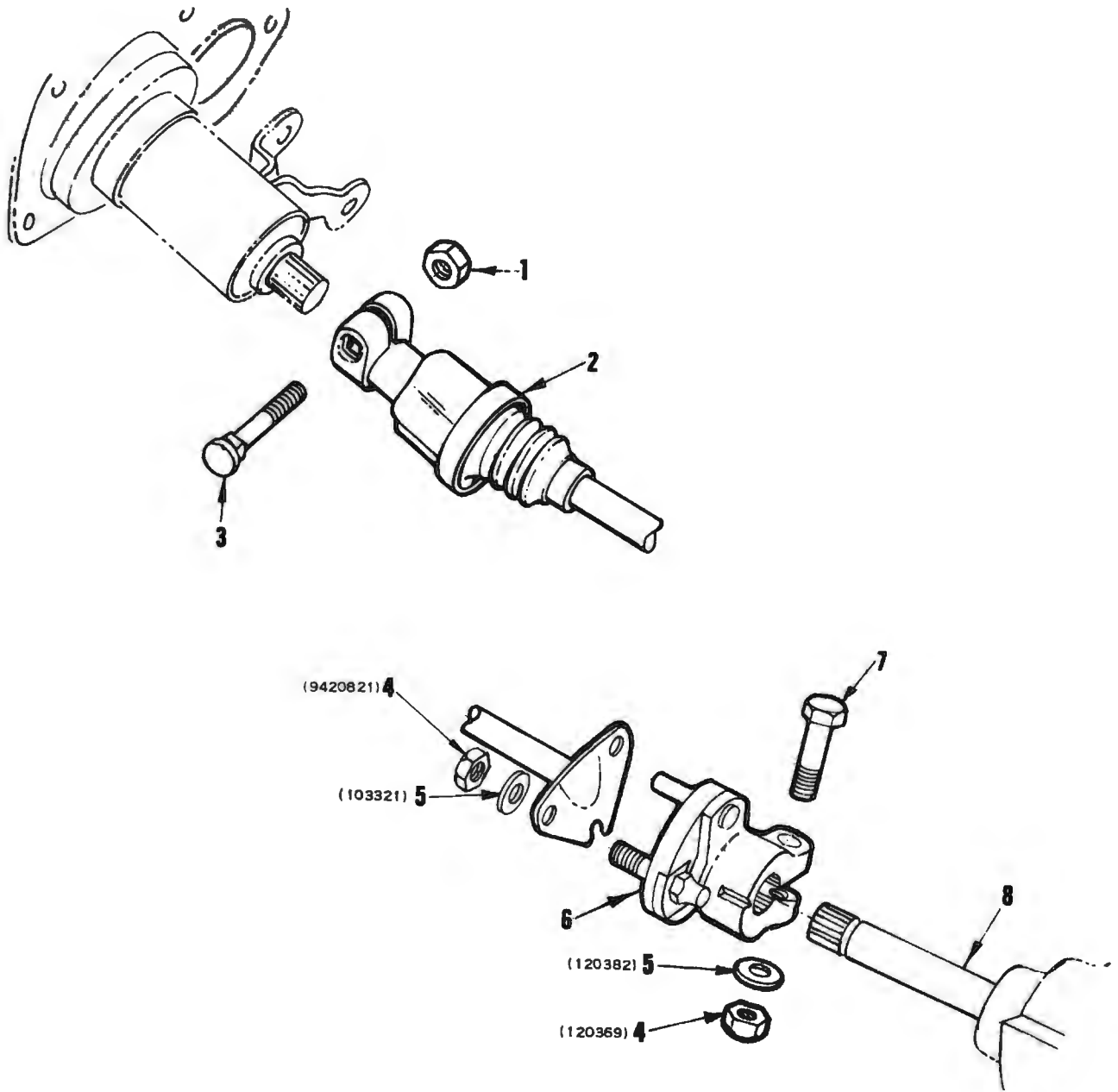
| ILLUS. REF. NO. | PART NAME | GROUP | ILLUS. REF. NO. | PART NAME | GROUP |
|-----------------|---|-------|-----------------|---|-------|
| 1. | ADJUSTER - Steering gear lash | 6.822 | 11. | SEAL - Pitman shaft | 6.855 |
| 2. | NUT - Hexagon | 8.915 | 12. | HOUSING ASSY. - Steering gear | 6.803 |
| 3. | BOLT - Hexagon head | 8.900 | 13. | 'O' RING - Worm & ball nut | 6.524 |
| 4. | WASHER - Lock | 8.931 | 14. | RETAINER - 'O' Ring seal | 6.524 |
| 5. | COVER ASSY. - Steering gear housing .. | 6.807 | 15. | RACE - Worm thrust bearing | 6.527 |
| 6. | GASKET - Steering gear housing cover .. | 6.809 | 16. | BEARING - Worm thrust | 6.530 |
| 7. | BEARING - Pitman shaft | 6.786 | 17. | WORM & BALL NUT ASSY. | 6.524 |
| 8. | GEAR - Pitman | 6.850 | 18. | ADJUSTER - Steering gear worm bearing.. | 6.830 |
| 9. | SPRING - Pitmen gear control | 6.852 | 19. | NUT - Adjuster lock | 6.830 |
| 10. | SEAT - Pitmen gear control spring | 6.852 | | | |



STEERING COLUMN

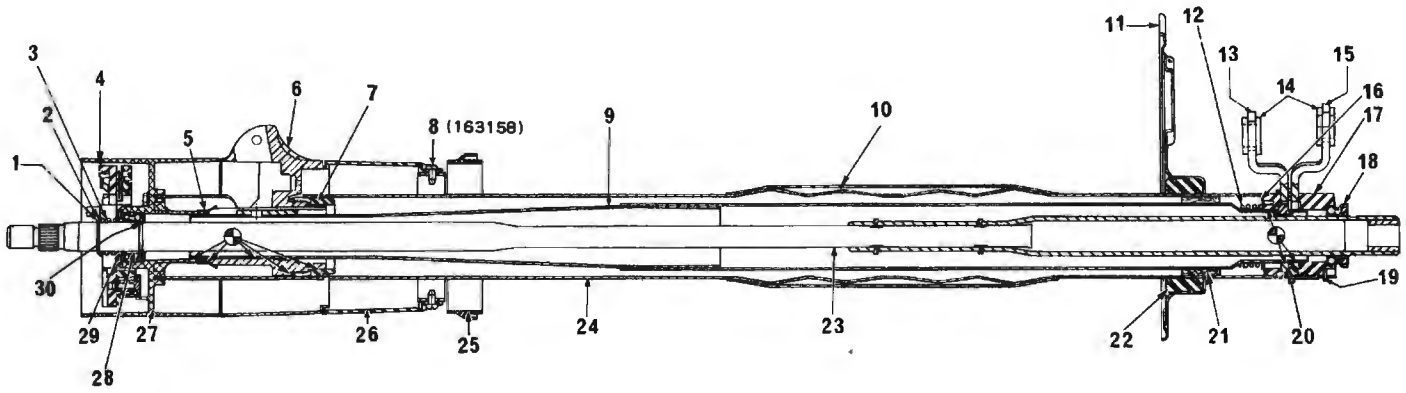
SECTION A-A

| ILLUS. REF. NO. | PART NAME | GROUP | ILLUS. REF. NO. | PART NAME | GROUP |
|-----------------|---------------------------------------|-------|-----------------|---|-------|
| 1. | KNOB - Gear shift control | 4.009 | 7. | BRACKET & CAPSULE ASSY. - Steering column | 6.760 |
| 2. | LEVER - Gearshift control | 4.006 | 8. | WASHER - Flat | 8.929 |
| 3. | PIN - Gearshift control lever | 4.007 | 9. | BOLT - Hexagon head | 8.900 |
| 4. | SCREW - Sheet metal | 8.977 | 10. | COLUMN ASSEMBLY - Steering | 6.508 |
| 5. | LEVER - Turn signal switch | 2.897 | 11. | SPRING - Selector return | 4.017 |
| 6. | KNOB - Turn signal switch lever | 2.897 | 12. | COVER - Column to dash | 6.758 |



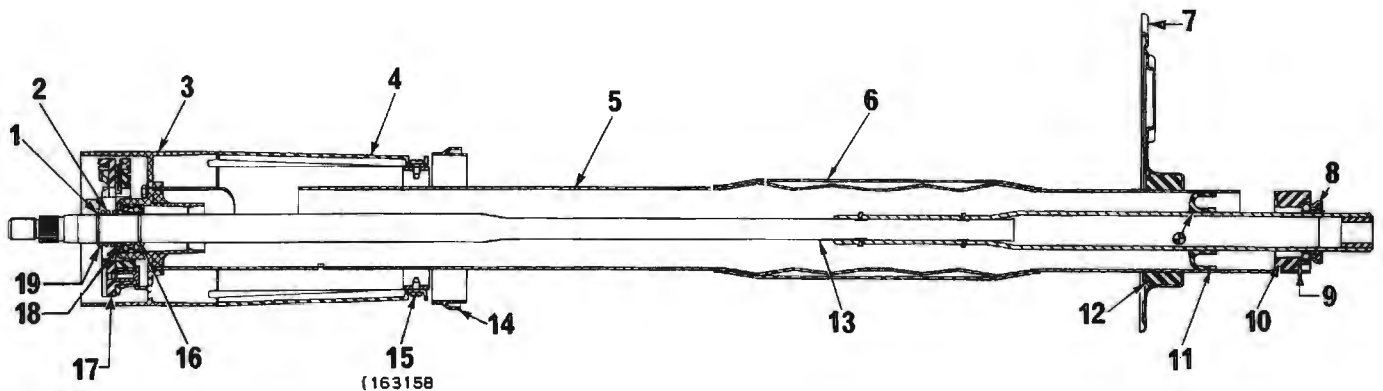
STEERING INTERMEDIATE SHAFT and COUPLINGS

| ILLUS. REF. NO. | PART NAME | GROUP | ILLUS. REF. NO. | PART NAME | GROUP |
|-----------------|--|-------|-----------------|--|-------|
| 1. | NUT - Coupling clamp to steering column | 6.524 | 5. | WASHER - Lock | 8.931 |
| 2. | COUPLING ASSY. - Intermediate shaft | 6.524 | 6. | COUPLING ASSY. - Inter. shaft, flanged.. | 6.524 |
| 3. | BOLT - Coupling clamp to steering column | 6.524 | 7. | BOLT - Coupling to steering box | 6.524 |
| 4. | NUT - Hexagon | 8.915 | 8. | GEAR ASSY. - Steering | 6.508 |



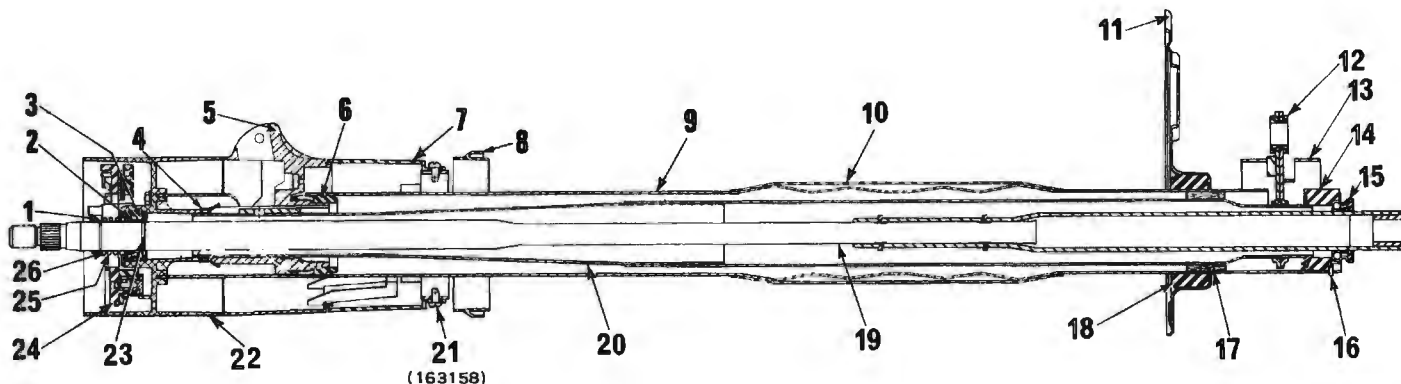
**STEERING COLUMN
3 Speed Manual Transmission**

| ILLUS. REF. NO. | PART NAME | GROUP | ILLUS. REF. NO. | PART NAME | GROUP |
|-----------------|---|-------------|-----------------|--|-------|
| 1. | RING - Upper bearing | 6.521 | 16. | RETAINER - 2nd & 3rd shift lever lower | 4.019 |
| 2. | WASHER - Spring, .75" x 1.00" x .0478" | 6.521 | 17. | ADAPTOR - Steering shaft lower bearing | 6.524 |
| 3. | SPRING - Upper bearing | 6.521 | 18. | BEARING ASSEMBLY - Steering shaft lower | 6.524 |
| 4. | SWITCH ASSY. - Turn signal lamp | 2.895 | 19. | CLIP - Adaptor | 6.524 |
| 5. | CUP - Housing thrust | 6.518 | 20. | SPACER - Lower control | 4.019 |
| 6. | SUPPORT - Gear shift control | 4.018 | 21. | INSULATOR - Steering column | 6.758 |
| 7. | SPACER - Gearshift support | 4.018 | 22. | INSULATOR - Steering column to dash | 6.758 |
| 8. | SCREW - Pan hd. No.8-18 x 3/8" cr. recess ... | 8.977 | 23. | SHAFT ASSEMBLY - Upper | 6.524 |
| 9. | TUBE ASSEMBLY | 4.007 | 24. | JACKET ASSEMBLY | 6.518 |
| 10. | COVER - Steering column jacket | 6.518 | 25. | SEAL - Steering column to instrument panel ... | 6.758 |
| 11. | COVER - Steering column to dash | 6.758 | 26. | COVER | 6.518 |
| 12. | SPRING - Lower control | 4.017 | 27. | HOUSING - Steering column | 6.518 |
| 13. | LEVER - 2nd & 3rd shift | 4.019 | 28. | BEARING ASSEMBLY - Upper | 6.521 |
| 14. | INSULATOR - Shift rod | 4.019/4.020 | 29. | WASHER - Spring | 6.521 |
| 15. | LEVER - 1st & Reverse shift | 4.020 | 30. | RETAINER - Upper bearing | 6.521 |



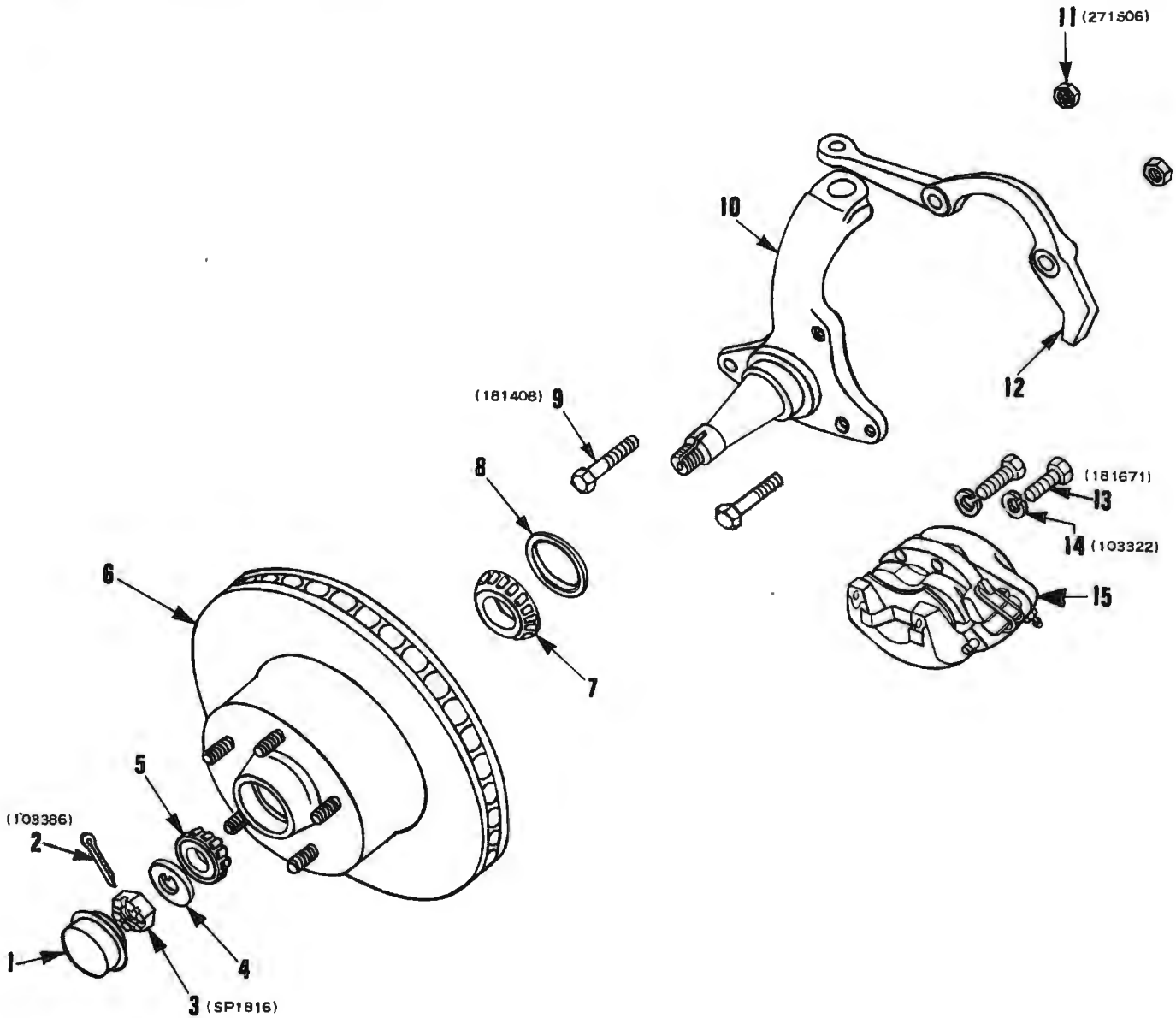
**STEERING COLUMN
MANUAL & AUTOMATIC TRANSMISSIONS
(Floor Shift)**

| ILLUS. REF. NO. | PART NAME | GROUP | ILLUS. REF. NO. | PART NAME | GROUP |
|-----------------|---|-------|-----------------|--|-------|
| 1. | RING - Upper bearing | 6.521 | 11. | SEAL - Steering column lower | 6.758 |
| 2. | SPRING - Upper bearing | 6.521 | 12. | INSULATOR - Steering column to dash | 6.758 |
| 3. | HOUSING - Steering column | 6.518 | 13. | SHAFT ASSEMBLY - Upper | 6.524 |
| 4. | COVER | 6.518 | 14. | SEAL - Steering column to instrument panel | 6.758 |
| 5. | JACKET ASSEMBLY | 6.518 | 15. | SCREW - Pan hd. No. 8-18 x 3/8" cr. recess ... | 8.977 |
| 6. | COVER - Steering column jacket | 6.518 | 16. | RETAINER - Upper bearing | 6.521 |
| 7. | COVER - Steering column to dash | 6.758 | 17. | SWITCH ASSY. - Turn signal lamp | 2.895 |
| 8. | BEARING ASSEMBLY - Steering shaft lower | 6.524 | 18. | WASHER - Spring | 6.521 |
| 9. | CLIP - Adaptor | 6.524 | 19. | WASHER - Spring, .75" x 1.00" x .0478" | 6.521 |
| 10. | ADAPTOR - Steering shaft lower bearing | 6.524 | | | |



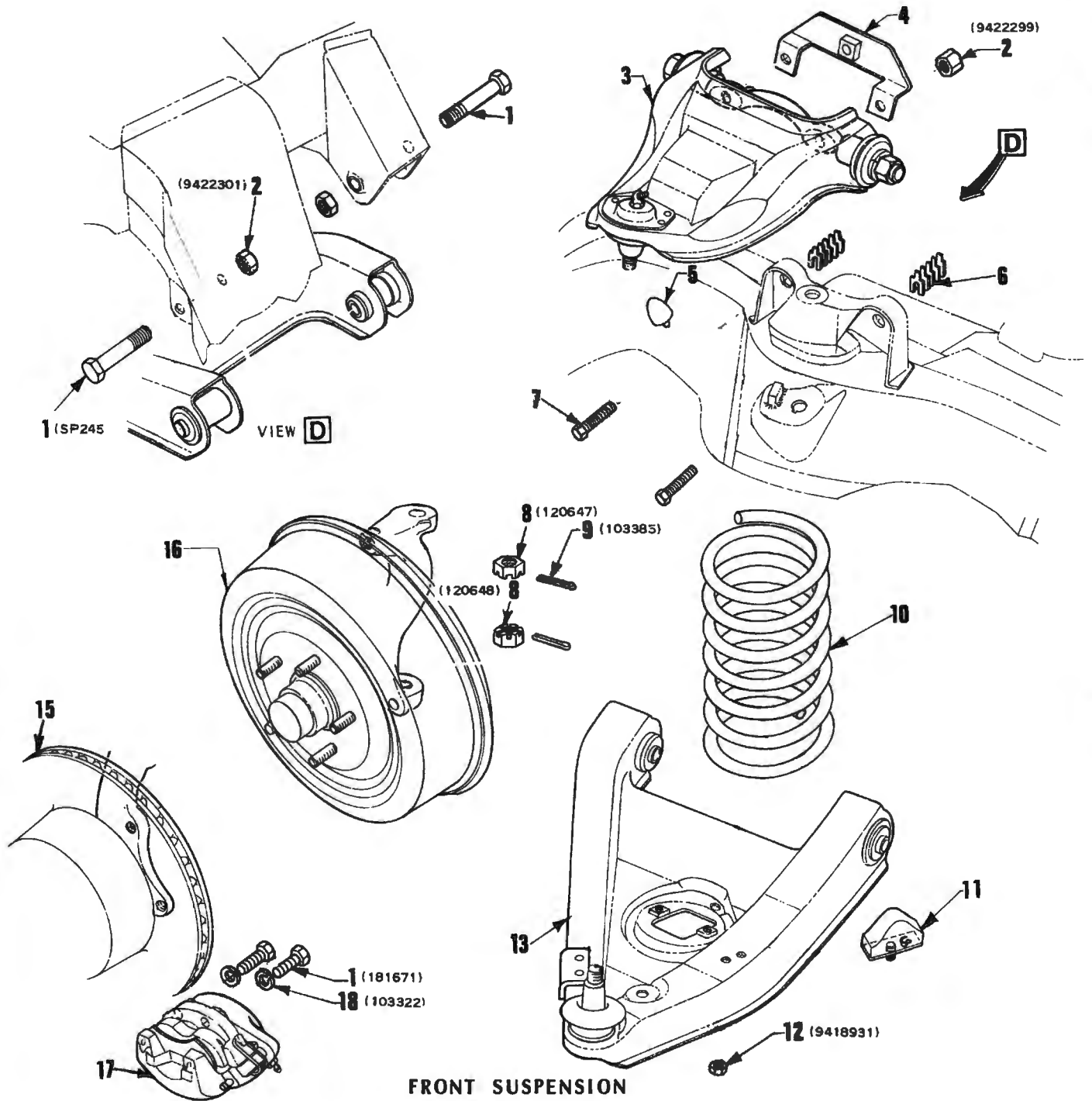
**STEERING COLUMN
AUTOMATIC TRANSMISSION
(Column Shift)**

| ILLUS. REF.. NO. | PART NAME | GROUP |
|---------------------|---|-------|
| 1. | RING - Steering shaft upper | 6.521 |
| 2. | WASHER - Spring | 6.521 |
| 3. | BEARING ASSEMBLY - Upper | 6.521 |
| 4. | CUP - Housing thrust | 6.518 |
| 5. | SUPPORT - Gearshift control | 4.018 |
| 6. | SPACER - Gearshift support | 4.018 |
| 7. | COVER | 6.518 |
| 8. | SEAL - Steering column to instrument panel | 6.758 |
| 9. | JACKET ASSEMBLY | 6.518 |
| 10. | COVER - Column jacket | 6.518 |
| 11. | COVER - Steering column to dash | 6.758 |
| 12. | INSULATOR - Control rod trunnion | 4.040 |
| 13. | GATE | 4.016 |
| 14. | ADAPTOR - Steering shaft lower bearing | 6.524 |
| 15. | BEARING ASSEMBLY - Steering shaft lower | 6.524 |
| 16. | CLIP - Adaptor | 6.524 |
| 17. | INSULATOR - Steering column | 6.758 |
| 18. | INSULATOR - Steering column to dash | 6.758 |
| 19. | SHAFT ASSEMBLY - Upper | 6.524 |
| 20. | TUBE ASSEMBLY | 4.007 |
| 21. | SCREW - Pan hd. No. 8 - 18 x 3/8'' cr. recess. | 8.977 |
| 22. | HOUSING - Steering column | 6.518 |
| 23. | RETAINER - Upper bearing | 6.521 |
| 24. | SWITCH ASSEMBLY - Turn signal lamp | 2.895 |
| 25. | SPRING - Upper bearing | 6.521 |
| 26. | WASHER - Spring, .75'' x 1.00'' x .0478'' | 6.521 |



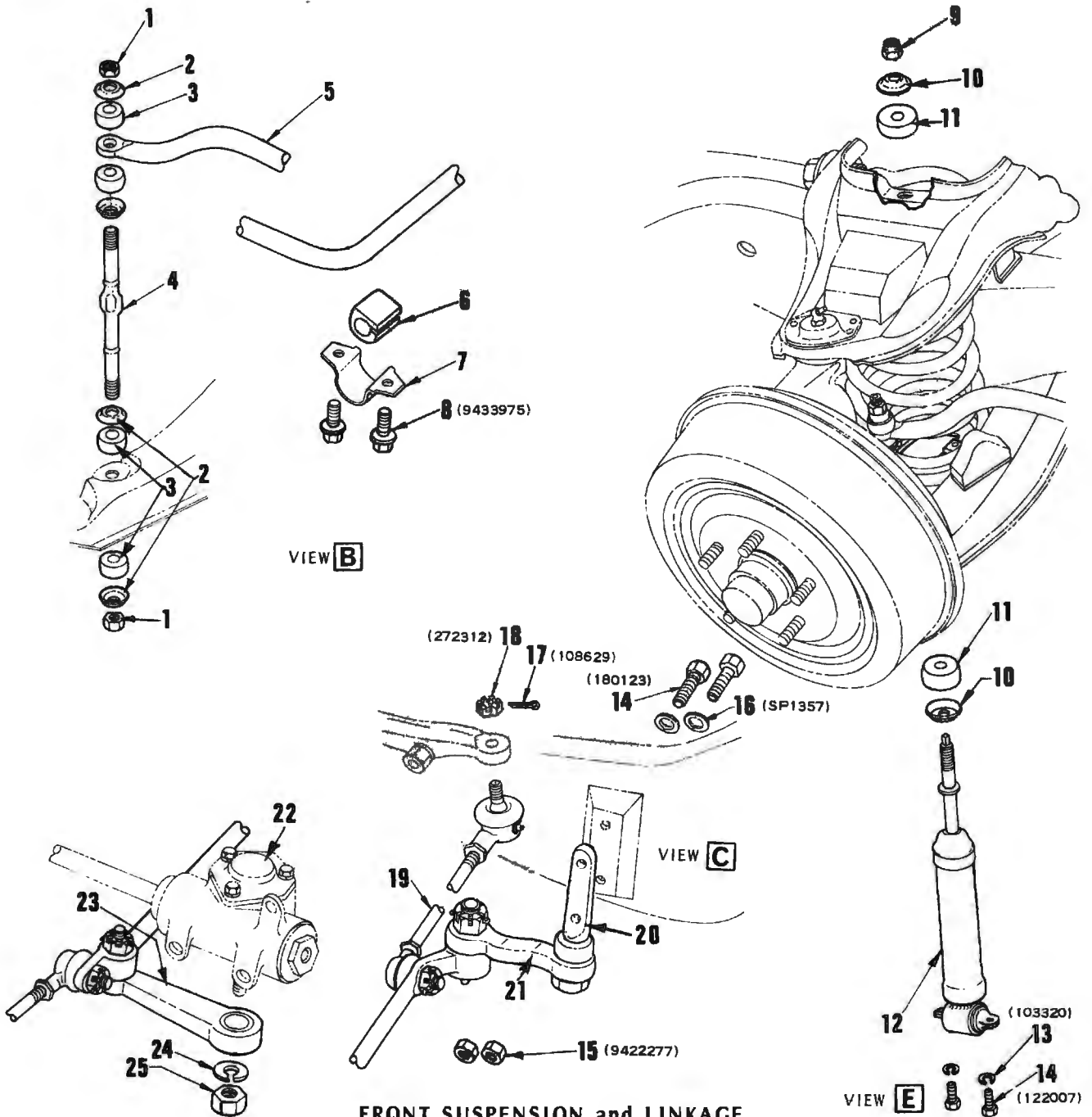
HUB AND DISC, KNUCKLE, CALIPER

| ILLUS. REF. NO. | PART NAME | GROUP | ILLUS. REF. NO. | PART NAME | GROUP |
|-----------------|------------------------------------|-------|-----------------|--|-------|
| 1. | CAP - Wheel hub | 5.858 | 9. | BOLT - Hex. head, 7/16" - 20 x 2.1/2" .. | 8.900 |
| 2. | PIN - Cotter, 1/8" x 1.1/4" | 8.938 | 10. | KNUCKLE - Steering | 6.020 |
| 3. | NUT - Hex. slotted 3/4" - 20 | 8.917 | 11. | NUT - Hex., 7/16" - 20 (cad or zinc) | 8.915 |
| 4. | WASHER - Spindle nut | 6.321 | 12. | ARM - Steering | 6.103 |
| 5. | BEARING ASSY. - Outer | 6.313 | 13. | BOLT - Hex. hd. 7/16" - 20 x 1.5/8" (zinc) | 8.900 |
| 6. | HUB & DISC | 6.307 | 14. | WASHER - Lock, 7/16" medium | 8.931 |
| 7. | BEARING ASSY. - Inner | 6.311 | 15. | CALIPER & BRACKET ASSY. | 5.010 |
| 8. | SEAL - Front wheel bearing | 6.326 | | | |



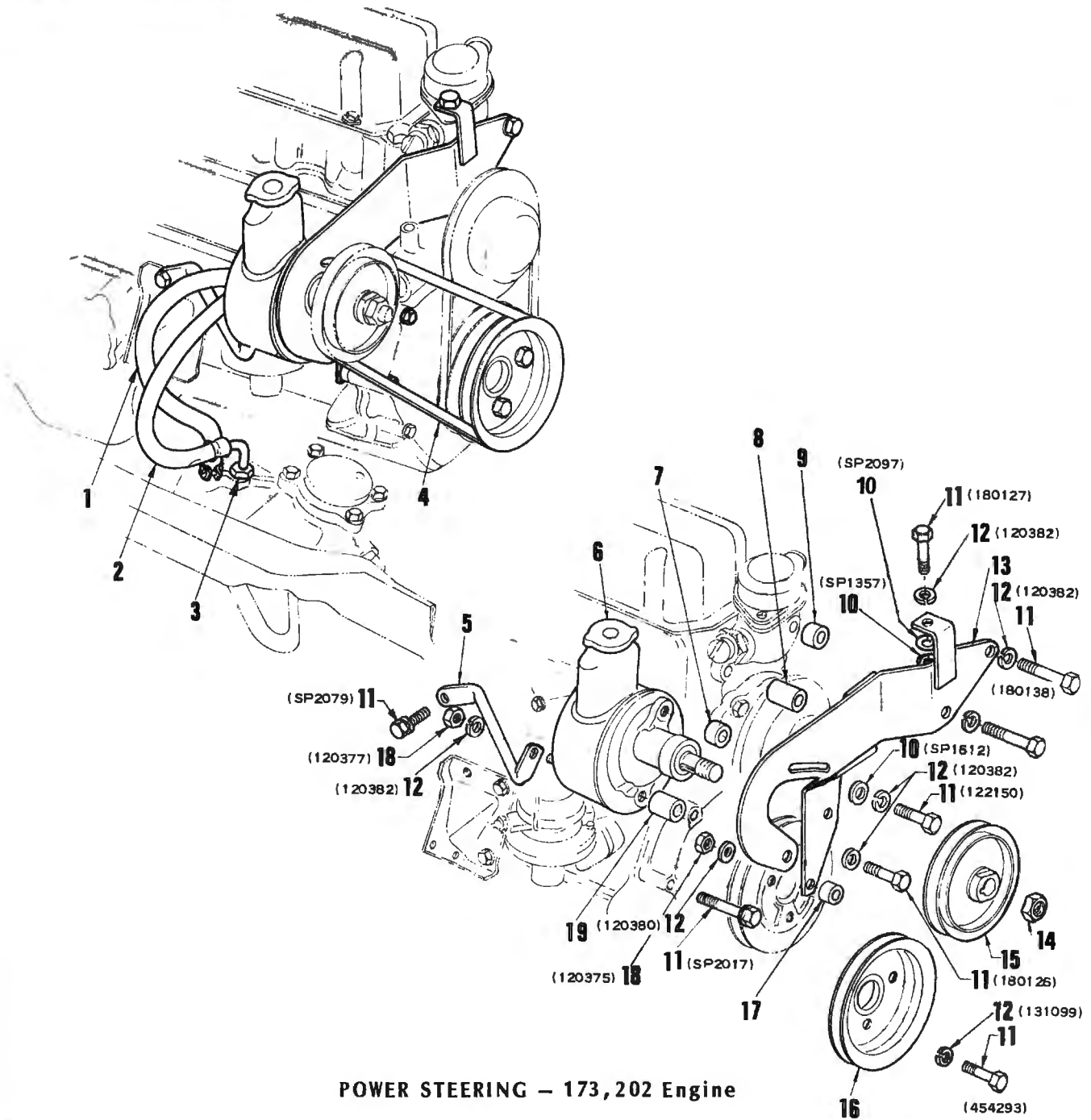
FRONT SUSPENSION

| ILLUS. REF. NO. | PART NAME | GROUP | ILLUS. REF. NO. | PART NAME | GROUP |
|-----------------|---|-------|-----------------|----------------------------------|-------|
| 1. | BOLT - Hexagon head | 8.900 | 10. | SPRING | 6.361 |
| 2. | NUT - Hexagon self locking | 8.918 | 11. | BUMPER - Lower control arm | 6.176 |
| 3. | ARM ASSY. - Upper control | 6.168 | 12. | NUT - Hexagon | 8.915 |
| 4. | BRACKET ASSY. - Conn. & switch to frame | 4.686 | 13. | ARM ASSY. - Lower control | 6.168 |
| 5. | BUMPER - Upper control arm | 6.176 | 14. | WASHER - Lock | 8.931 |
| 6. | SHIM - Upper control arm shaft | 6.163 | 15. | HUB & DISC | 6.307 |
| 7. | BOLT - Upper control arm to frame | 6.168 | 16. | DRUM ASSY. | 5.809 |
| 8. | NUT - Hexagon slotted | 8.917 | 17. | CALIPER & BRACKET ASSY. | 5.010 |
| 9. | PIN - Cotter | 8.938 | 18. | WASHER - Lock | 8.931 |



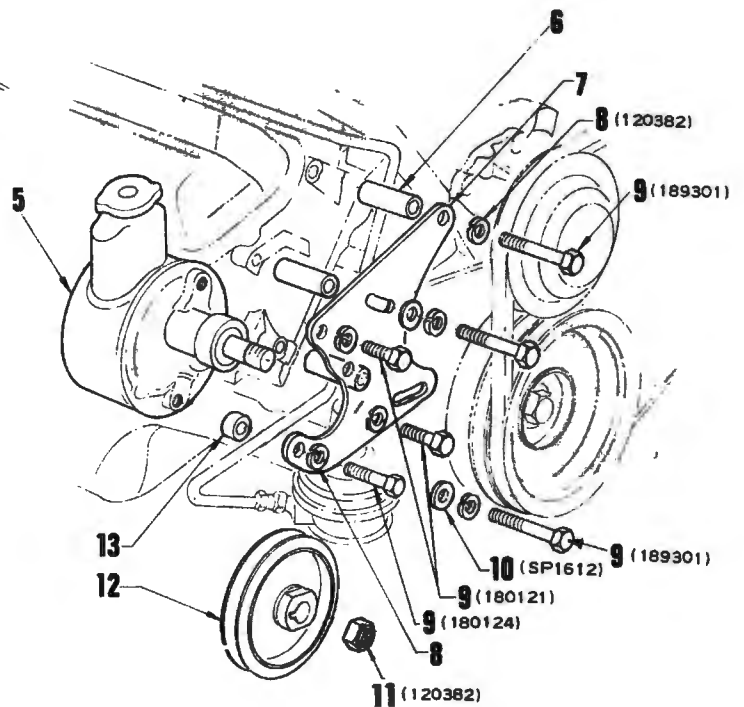
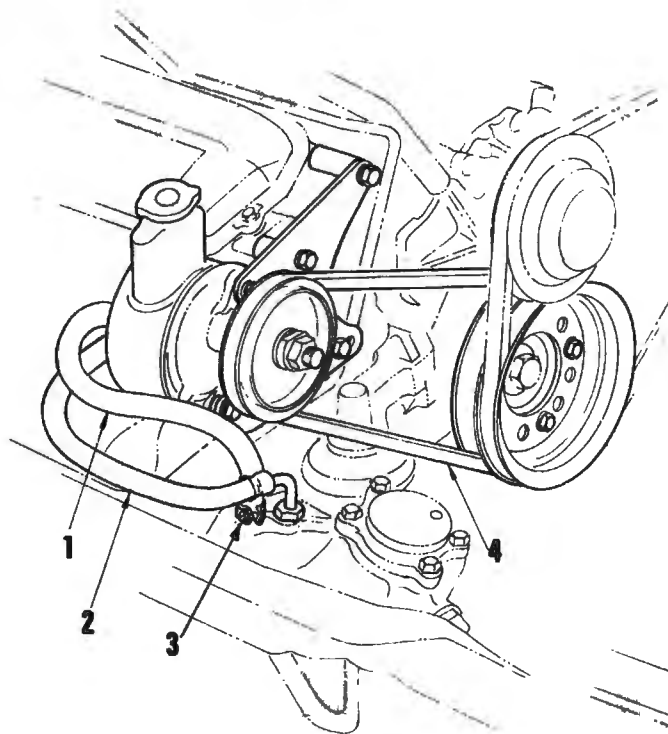
FRONT SUSPENSION and LINKAGE

| ILLUS. REF. NO. | PART NAME | GROUP | ILLUS. REF. NO. | PART NAME | GROUP |
|-----------------|--|-------|-----------------|------------------------------------|-------|
| 1. | NUT | 7.243 | 13. | WASHER - Lock | 8.931 |
| 2. | RETAINER - Front stabiliser | 7.243 | 14. | BOLT - Hexagon head | 8.900 |
| 3. | BUSHING - Front stabiliser | 7.243 | 15. | NUT - Hexagon self locking | 8.918 |
| 4. | STUD - Front stabiliser spacer | 7.240 | 16. | WASHER - Flat | 8.929 |
| 5. | SHAFT - Front stabiliser | 7.241 | 17. | PIN - Cotter | 8.938 |
| 6. | INSULATOR - Front stabiliser shaft | 7.242 | 18. | NUT - Hexagon slotted | 8.917 |
| 7. | BRACKET - Front stabiliser shaft | 7.242 | 19. | ROD - Steering tie | 6.232 |
| 8. | SCREW - Sheet metal | 8.977 | 20. | SUPPORT ASSY. - Idler lever | 6.896 |
| 9. | NUT - Front shock absorber | 7.370 | 21. | LEVER - Idler | 6.895 |
| 10. | PLATE - Front shock absorber | 7.370 | 22. | GEAR ASSY. - Steering | 6.508 |
| 11. | BUSHING - Front shock absorber | 7.370 | 23. | ARM - Pitman | 6.859 |
| 12. | SHOCK ABSORBER ASSY. - Front | 7.345 | 24. | WASHER - Pitman arm to shaft | 6.861 |
| | | | 25. | NUT - Pitman arm to shaft | 6.861 |



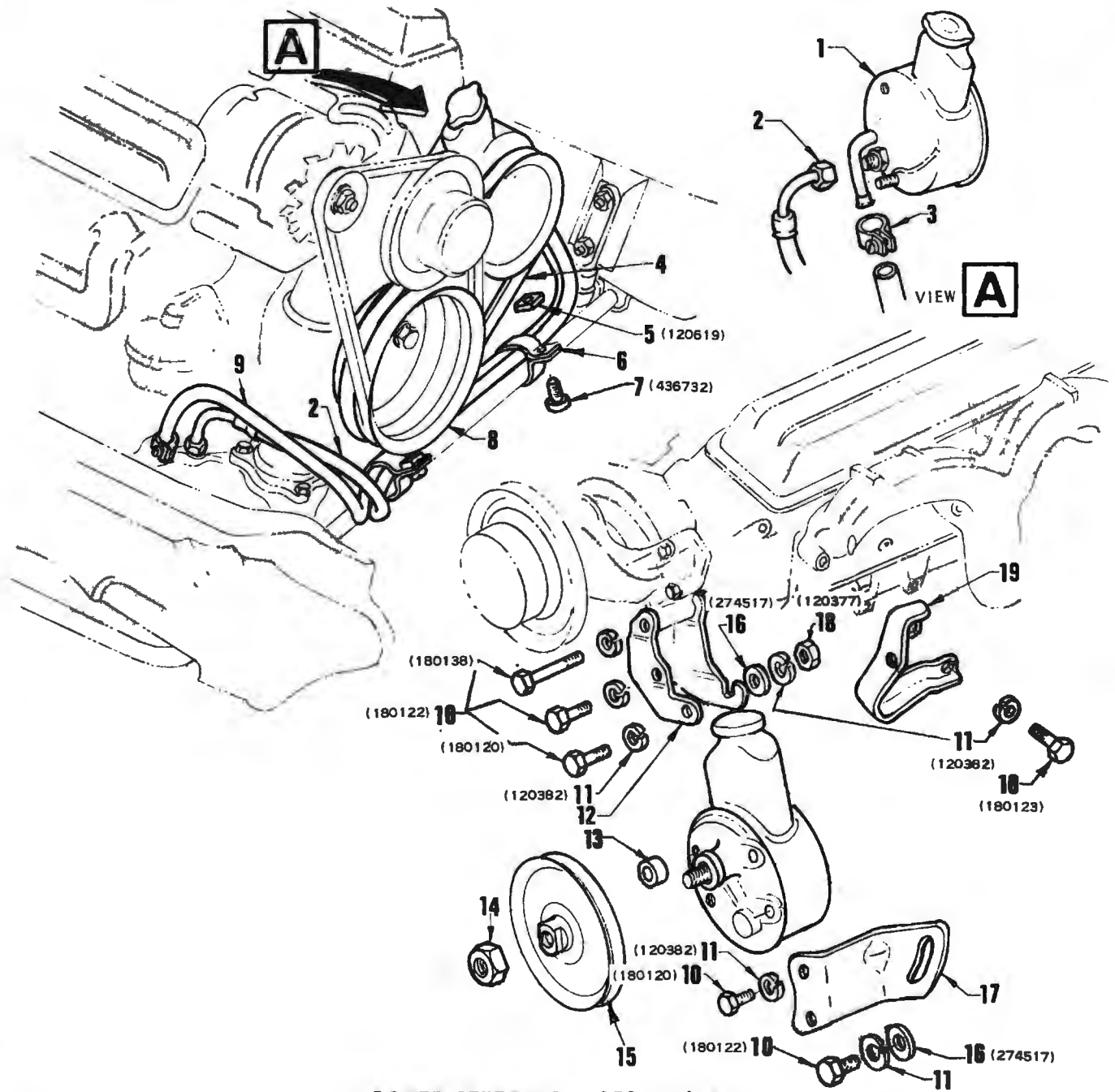
POWER STEERING – 173,202 Engine

| ILLUS. REF. NO. | PART NAME | GROUP | ILLUS. REF. NO. | PART NAME | GROUP |
|-----------------|--|-------|-----------------|---|-------|
| 1. | HOSE ASSY. – Return | 6.670 | 12. | WASHER – Lock | 8.931 |
| 2. | HOSE ASSY. – Pressure | 6.670 | 13. | BRACKET – Pump mounting | 6.606 |
| 3. | CLAMP – Return hose | 6.672 | 14. | NUT | 6.655 |
| 4. | BELT | 6.660 | 15. | PULLEY ASSY. | 6.655 |
| 5. | BRACE – Pump mounting | 6.606 | 16. | PULLEY – Crankshaft | 0.659 |
| 6. | PUMP ASSY. | 6.605 | 17. | SPACER – Mounting bracket to cylinder block, .40" | 6.606 |
| 7. | SPACER – Mounting bracket to pump, .31" | 6.606 | 18. | NUT – Hexagon | 8.915 |
| 8. | SPACER – Mounting bracket to thermo housing, 1.53" | 6.606 | 19. | SPACER – Mounting bracket to pump, .67" | 6.606 |
| 9. | SPACER – Mounting bracket to thermo housing, .73" | 6.606 | | | |
| 10. | WASHER – Flat | 8.929 | | | |
| 11. | BOLT – Hexagon head | 8.900 | | | |



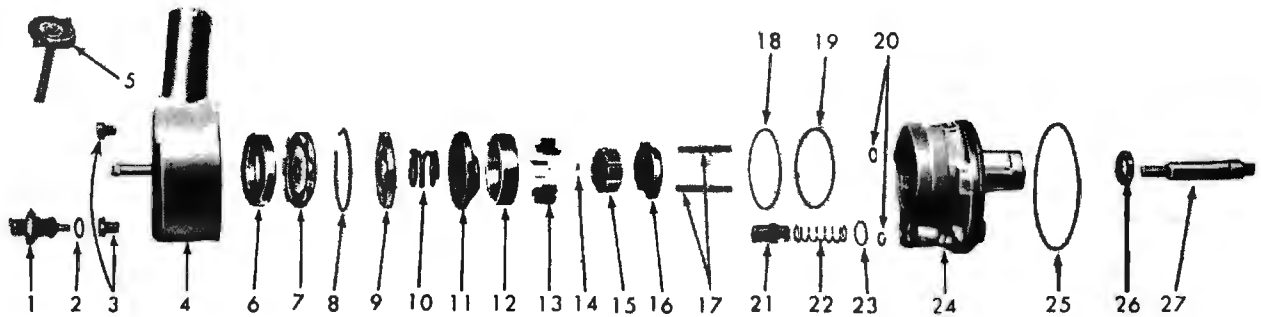
POWER STEERING – 253, 308 Engine

| ILLUS. REF. NO. | PART NAME | GROUP | ILLUS. REF. NO. | PART NAME | GROUP |
|-----------------|--|-------|-----------------|--|-------|
| 1. | HOSE ASSY. – Return | 6.670 | 7. | BRACKET – Pump mounting | 6.606 |
| 2. | HOSE ASSY. – Pressure | 6.670 | 8. | WASHER – Lock | 8.931 |
| 3. | CLAMP – Return hose | 6.672 | 9. | BOLT – Hexagon head | 8.900 |
| 4. | BELT | 6.660 | 10. | WASHER – Flat | 8.929 |
| 5. | PUMP ASSY. | 6.605 | 11. | NUT | 6.655 |
| 6. | SPACER – Mounting bracket to cylinder head, 1.305" | 6.606 | 12. | PULLEY ASSY. | 6.655 |
| | | | 13. | SPACER – Pump to front bracket, .36" | 6.606 |



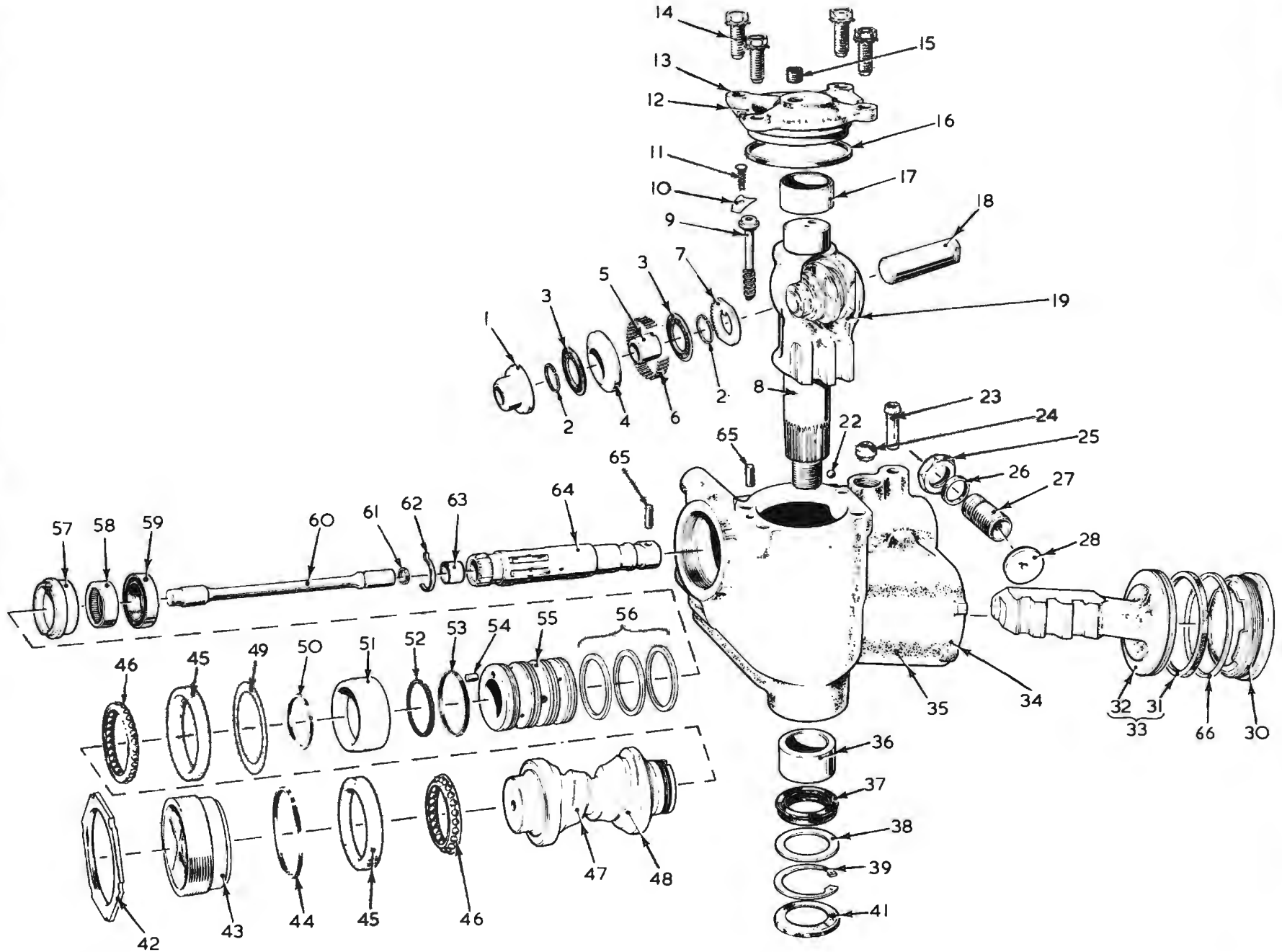
POWER STEERING – 350 Engine

| ILLUS. REF. NO. | PART NAME | GROUP | ILLUS. REF. NO. | PART NAME | GROUP |
|-----------------|---------------------------------------|-------|-----------------|-------------------------------------|-------|
| 1. | PUMP ASSY. | 6.605 | 11. | WASHER – Lock | 8.931 |
| 2. | HOSE ASSY. – Pressure | 6.670 | 12. | BRACKET – Pump mounting pivot | 6.606 |
| 3. | CLAMP – Return hose | 6.672 | 13. | SPACER | 6.606 |
| 4. | BELT | 6.660 | 14. | NUT | 6.655 |
| 5. | NUT – Square | 8.923 | 15. | PULLEY ASSY. | 6.655 |
| 6. | CLAMP – Hoses to stabiliser bar | 6.672 | 16. | WASHER – Flat | 8.929 |
| 7. | BOLT – Pan head | 8.910 | 17. | BRACKET – Adjusting | 6.606 |
| 8. | PULLEY ASSY. – Crankshaft | 0.659 | 18. | NUT – Hexagon | 8.915 |
| 9. | HOSE ASSY. – Return | 6.670 | 19. | SUPPORT – Adjusting bracket | 6.606 |
| 10. | BOLT – Hexagon head | 8.900 | | | |



**POWER STEERING PUMP
(TYPICAL)**

| ILLUS. REF. NO. | PART NAME | GROUP | ILLUS. REF. NO. | PART NAME | GROUP |
|-----------------|-------------------------------|-------------------|-----------------|------------------------------|-------|
| 1. | FITTING ASSY. - Hose | 6.673 | 12. | } ROTOR KIT | 6.610 |
| 2. | SEAL | 6.674 | 13. | | |
| 2. | } SEAL KIT | 6.609 | 15. | } VANE KIT | 6.610 |
| 18. | | | 13. | | |
| 19. | | | 14. | RING - Shaft retaining | 6.614 |
| 20. | | | 15. | ROTOR | 6.610 |
| 23. | | | 16. | PLATE - Thrust | 6.612 |
| 25. | 17. | PIN - Dowel | 6.608 | | |
| 3. | STUD - Mounting | 6.606 | 18. | SEAL - 'O' Ring | 6.612 |
| 4. | RESERVOIR ASSY. | 6.635 | 19. | SEAL - 'O' Ring | 6.612 |
| 5. | CAP ASSY. | 6.635 | 20. | SEAL - Reservoir bolt | 6.635 |
| 6. | ELEMENT - Filter | 6.630 | 21. | VALVE ASSY. | 6.624 |
| 6/7. | FILTER ASSY. | 6.630 | 22. | SPRING - Flow control | 6.612 |
| 8. | RING - End plate ret. | 6.609 | 23. | SEAL - 'O' Ring | 6.674 |
| 9. | PLATE - Pump end | 6.612 | 24. | HOUSING ASSY. | 6.608 |
| 10. | SPRING - Pressure plate | 6.612 | 25. | SEAL - 'O' Ring | 6.635 |
| 11. | PLATE - Pressure | 6.612 | 26. | SEAL | 6.617 |
| 12. | RING | 6.611 | 27. | SHAFT | 6.614 |



GEAR ASSEMBLY POWER STEERING

ILLUSTRATION OPPOSITE

| ILLUS. REF. NO. | PART NAME | GROUP | ILLUS. REF. NO. | PART NAME | GROUP | | |
|-----------------|---------------------------------------|-------------------------------------|---------------------------|-----------------------------------|-------|-----------------------------------|-------|
| 1. | } GEAR - Pitman | 6.580 | 36. | BEARING | 6.786 | | |
| 2. | | | 37. | SEAL - Sector shaft | 6.855 | | |
| 3. | | | 38. | RING - Seal back-up | 6.855 | | |
| 4. | | | 39. | CLIP - Retainer | 6.856 | | |
| 5. | | | 41. | EXCLUDER - Dust | 6.856 | | |
| 6. | | | 42. | NUT - Nearing adjuster lock | 6.830 | | |
| 7. | | | 43. | ADJUSTER - Bearing | 6.830 | | |
| 8. | | | 44. | SEAL - Bearing adjuster | 6.840 | | |
| 9. | | | 45. | RACE - Bearing | 6.527 | | |
| 10. | | | 46. | BEARING | 6.530 | | |
| 11. | | | } SCREW - Adjusting | 6.822 | 45. | } WORM, VALVE & SLEEVE ASSY. | 6.524 |
| 12. | | | | | 46. | | |
| 13. | | | | | 47. | | |
| 14. | | | | | 50. | | |
| 15. | | | | | 51. | | |
| 16. | | | | | 52. | | |
| 17. | | | | | 54. | | |
| 18. | | | | | 55. | | |
| 19. | 56. | | | | | | |
| 20. | 60. | | | | | | |
| 21. | 61. | | | | | | |
| 22. | 62. | | | | | | |
| 23. | 63. | | | | | | |
| 24. | 64. | | | | | | |
| 25. | 65. | | | | | | |
| 26. | 49. | SHIM - .004" | 6.526 | | | | |
| 27. | 50. | SEAL - Coupling sleeve | 6.551 | | | | |
| 28. | 51. | SLEEVE - Coupling | 6.551 | | | | |
| 29. | 52. | RING - Sleeve retaining | 6.551 | | | | |
| 30. | 53. | SEAL - Sleeve | 6.551 | | | | |
| 31. | 56. | SEAL - Sleeve | 6.551 | | | | |
| 32. | 57. | SPACER - Bearing | 6.552 | | | | |
| 33. | 58. | BEARING - Roller | 6.552 | | | | |
| 34. | 59. | SEAL - Valve | 6.550 | | | | |
| 35. | 61. | SEAL - Torsion bar | 6.550 | | | | |
| 36. | 62. | SPRING - Coupling & fail safe | 6.550 | | | | |
| 65. | 66. | SEAL - Cover | 6.586 | | | | |
| 9. | SCREW - Adjusting | 6.822 | | | | | |
| 10. | CLIP - Adjusting screw locking | 6.822 | | | | | |
| 11. | SCREW - Drive | 6.822 | | | | | |
| 12. | COVER ASSY. | 6.807 | | | | | |
| 13. | } COVER ASSY. | 6.807 | | | | | |
| 17. | | | | | | | |
| 14. | SCREW & LOCK WASHER - Cover | 6.807 | | | | | |
| 15. | PLUG - Cover | 6.807 | | | | | |
| 16. | SEAL - Cover | 6.809 | | | | | |
| 19. | GEAR - Pitman | 6.850 | | | | | |
| 23. | TUBE - Return hose connection | 6.803 | | | | | |
| 24. | SEAT - Pressure hose connection | 6.803 | | | | | |
| 25. | LOCKNUT - Rack adjusting screw | 6.585 | | | | | |
| 26. | SEAL - Rack adjusting screw | 6.585 | | | | | |
| 27. | SCREW - Rack adjusting | 6.585 | | | | | |
| 28. | PAD - Rack adjusting | 6.585 | | | | | |
| 30. | COVER - Piston | 6.586 | | | | | |
| 31. | SEAL - Piston | 6.579 | | | | | |
| 31. | RACK & SEAL ASSY. | 6.586 | | | | | |
| 32. | RACK & SEAL ASSY. | 6.586 | | | | | |
| 34. | HOUSING ASSY. - Steering gear | 6.803 | | | | | |
| 22. | } HOUSING ASSY. - Steering gear | 6.803 | | | | | |
| 23. | | | | | | | |
| 24. | | | | | | | |
| 35. | | | | | | | |
| 65. | | | | | | | |

"HQ" PARTS CATALOGUE

| GROUP | DESCRIPTION | MODEL | SIDE | PART No. | QTY. |
|--------------|--|--------------------|------|----------|------|
| 6.007 | FRONT SUSPENSION ASSEMBLY | | | | |
| | CURRENT PRODUCTION FRONT AXLE ASSEMBLIES WILL BE SUPPLIED ON A FIRM ORDER BASIS. | | | | |
| 6.008 | BRACKET ASSEMBLY – Front suspension cross | | | | |
| | BRACKET ASSEMBLY – Power plant to crossmember | ALL | LH | 2810775 | 1 |
| | | | RH | 2810776 | 1 |
| 6.020 | KNUCKLE – Steering | | | | |
| | KNUCKLE | Drum Brake | | 7432662 | 2 |
| | KNUCKLE | Disc Brake | LH | 2820997 | 1 |
| | | | RH | 2820996 | 1 |
| 6.103 | ARM – Steering | | | | |
| | ARM | Exc. Chassis & Cab | LH | 2809481 | 1 |
| | | | RH | 2809480 | 1 |
| | ARM | Chassis & Cab | LH | 2825251 | 1 |
| | | | RH | 2825250 | 1 |
| 6.111 | SEAL – Steering tie rod socket dust | | | | |
| | SEAL | ALL | | 2809115 | 4 |
| 6.163 | SHIM – Upper control arm shaft | | | | |
| | SHIM – .030" | ALL | | 2812095 | A.R. |
| | SHIM – .059" | ALL | | 2812096 | A.R. |
| | SHIM – .120" | ALL | | 2812097 | A.R. |
| | NUT – Hex. 5/8" – 18 Lock | ALL | | 9422286 | 4 |
| 6.164 | SHAFT, BUSHING – Upper control arm | | | | |
| | SHAFT | ALL | | 2809219 | 2 |
| | BUSHING | ALL | | 2805510 | 4 |
| | RETAINER – Bushing | ALL | | 2805728 | 4 |
| 6.168 | ARM ASSEMBLY – Control | | | | |
| | ARM & BALL JOINT ASSEMBLY – Upper control | ALL | LH | 2809277 | 1 |
| | | | RH | 2809276 | 1 |
| | BOLT – Upper control arm to frame | ALL | | 381909 | 4 |
| | NUT – Hex. lock 1/2" – 14 | ALL | | 9422299 | 4 |
| | BALL JOINT KIT – Upper control | ALL | | 7436218 | 2 |
| | SEAL & CLAMP KIT – Upper ball joint | ALL | | 5679626 | 2 |
| | ARM & BALL JOINT ASSEMBLY – Lower control | ALL | LH | 2809325 | 1 |
| | | | RH | 2809324 | 1 |
| | NUT – Hex. lock 1/2" – 13 | ALL | | 9422301 | 4 |
| | BOLT – Hex. 1/2" – 13 x 3.63 | ALL | | SP2452 | 4 |
| | BALL JOINT ASSEMBLY – Lower control | ALL | | 5693552 | 2 |
| | SEAL & CLAMP KIT – Lower ball joint | ALL | | 5679629 | 2 |
| 6.170 | BUSHING ASSEMBLY – Lower control arm | | | | |
| | BUSHING ASSEMBLY | ALL | | 2807098 | 4 |
| 6.176 | BUMPER – Control arm | | | | |
| | BUMPER – Upper arm | ALL | | 384220 | 2 |
| | BUMPER – Lower arm | ALL | | 402410 | 2 |
| 6.232 | ROD – Steering tie | | | | |
| | ROD | ALL | | 2809107 | 2 |

"HQ" PARTS CATALOGUE

| GROUP | DESCRIPTION | MODEL | SIDE | PART No. | QTY. |
|--------------|---|---|------|----------|------|
| 6.233 | SOCKET ASSEMBLY – Steering tie rod ball | | | | |
| | SOCKET ASSEMBLY – RH thread | ALL | | 2818442 | 2 |
| | SOCKET ASSEMBLY – LH thread | ALL | | 2818443 | 2 |
| 6.234 | NUT – Steering tie rod | | | | |
| | NUT – RH thread | ALL | | 124939 | 2 |
| | NUT – LH thread | ALL | | 2810539 | 2 |
| 6.307 | HUB – Front wheel | | | | |
| | HUB | Drum Brake | | 2824345 | 2 |
| | HUB & DISC | Disc Brake | | 2824720 | 2 |
| 6.311 | BEARING ASSEMBLY – Front wheel, inner | | | | |
| | BEARING ASSEMBLY | ALL | | 7413406 | 2 |
| 6.313 | BEARING ASSEMBLY – Front wheel, outer | | | | |
| | BEARING ASSEMBLY | ALL | | 7413409 | 2 |
| 6.321 | WASHER – Steering knuckle spindle nut | | | | |
| | WASHER | ALL | | 7435914 | 2 |
| 6.326 | SEAL ASSEMBLY – Front wheel bearing | | | | |
| | SEAL | ALL | | 2829925 | 2 |
| 6.361 | SPRING – Front | | | | |
| | SPRING – Regular (ident. code "FA") | exc. Air Cond. 35, 37, 69 W/6 Cyl. Eng. | | 2818476 | 2 |
| | SPRING – Regular (ident. code "FB") | exc. Air Cond. 35, 37, 69 W/6 Cyl. Eng. | | 2818477 | 2 |
| | SPRING – Regular (ident. code "FB") | Air Cond. 35, 37, 69 W/6 Cyl. Eng. | | 2818477 | 2 |
| | SPRING – Regular (ident. code "FC") | Air Cond. 35, 37, 69 W/6 Cyl. Eng. | | 2818478 | 2 |
| | SPRING – Heavy duty (ident. code "FB") | exc. Air Cond. 35, 37, 69 W/6 Cyl. Eng. | | 2818477 | 2 |
| | SPRING – Heavy duty (ident. code "FT") | exc. Air Cond. 35, 37, 69 W/6 Cyl. Eng. | | 2825748 | 2 |
| | SPRING – Heavy duty (ident. code "FC") | Air Cond. 35, 37, 69 W/6 Cyl. Eng. | | 2818478 | 2 |
| | SPRING – Heavy duty (ident. code "FU") | Air Cond. 35, 37, 69 W/6 Cyl. Eng. | | 2825749 | 2 |
| | SPRING | exc. Air Cond. 60, 70, 80 W/6 Cyl. Eng. | | 2822598 | 2 |
| | SPRING | Air Cond. 60, 70, 80 W/6 Cyl. Eng. | | 2822599 | 2 |
| | SPRING – Regular (ident. code "FC") | exc. Air Cond. 35, 37, 69 W/253, 308 Eng. exc. S'man | | 2818478 | 2 |
| | SPRING – Regular (ident. code "FD") | exc. Air Cond. 35, 37, 69 W/253, 308 Eng. exc. S'man | | 2818480 | 2 |
| | SPRING – Regular (ident. code "FD") | Air Cond. 35, 37, 69 W/253, 308 Eng. exc. S'man | | 2818480 | 2 |
| | SPRING – Regular (ident. code "FE") | Air Cond. 35, 37, 69 W/253, 308 Eng. exc. S'man | | 2818481 | 2 |
| | SPRING – Heavy Duty (ident. code "FD") | exc. Air Cond. 35, 37, 69 W/253, 308 Eng. exc. S'man | | 2818480 | 2 |
| | SPRING – Heavy duty (ident. code "FU") | exc. Air Cond. 35, 37, 69 W/253, 308 Eng. exc. S'man | | 2825749 | 2 |
| | SPRING – Heavy duty (ident. code "FE") | Air Cond. 35, 37, 69 W/253, 308 Eng. exc. S'man | | 2818481 | 2 |
| | SPRING – Heavy duty (ident. code "FV") | Air Cond. 35, 37, 69 W/253, 308 Eng. exc. S'man | | 2825750 | 2 |
| | SPRING | exc. Air Cond. 60, 70, 80 W/253, 308 Eng. | | 2822600 | 2 |
| | SPRING | Air Cond. 60, 70, 80 W/253, 308 Eng. | | 2822601 | 2 |

"HQ" PARTS CATALOGUE

| GROUP | DESCRIPTION | MODEL | SIDE | PART No. | QTY. |
|--------------|---|-------------------------------|------|----------|------|
| 6.361 | SPRING – Front (contd.) | | | | |
| | SPRING – Regular (ident. code "FF")exc. Air Cond. | 253, 308 Eng. Statesman | | 2818482 | 2 |
| | SPRING – Regular (ident. code "FE")exc. Air Cond. | 253, 308 Eng. Statesman | | 2818481 | 2 |
| | SPRING – Regular (ident. code "FE")Air Cond. | 253, 308 Eng. Statesman | | 2818481 | 2 |
| | SPRING – Regular (ident. code "FH")Air Cond. | 253, 308 Eng. Statesman | | 2818484 | 2 |
| | SPRING – Heavy duty (ident. code "FE")exc. Air Cond. | 253, 308 Eng. Statesman | | 2818481 | 2 |
| | SPRING – Heavy duty (ident. code "FU")exc. Air Cond. | 253, 308 Eng. Statesman | | 2825749 | 2 |
| | SPRING – Heavy duty (ident. code "FH")Air Cond. | 253, 308 Eng. Statesman | | 2818484 | 2 |
| | SPRING – Heavy duty (ident. code "FV")Air Cond. | 253, 308 Eng. Statesman | | 2825750 | 2 |
| | SPRING – Regular (ident. code "FD")exc. Air Cond. | 350 Eng. Monaro L.S. | | 2818480 | 2 |
| | SPRING – Regular (ident. code "FE")exc. Air Cond. | 350 Eng. Monaro L.S. | | 2818481 | 2 |
| | SPRING – Regular (ident. code "FE")Air Cond. | 350 Eng. Monaro L.S. | | 2818481 | 2 |
| | SPRING – Regular (ident. code "FH")Air Cond. | 350 Eng. Monaro L.S. | | 2818484 | 2 |
| | SPRING – Heavy duty (ident. code "FE")exc. Air Cond. | 350 Eng. Monaro L.S. | | 2818481 | 2 |
| | SPRING – Heavy duty (ident. code "FV")exc. Air Cond. | 350 Eng. Monaro L.S. | | 2825750 | 2 |
| | SPRING – Heavy duty (ident. code "FH")Air Cond. | 350 Eng. Monaro L.S. | | 2818484 | 2 |
| | SPRING – Heavy duty (ident. code "FV")Air Cond. | 350 Eng. Monaro L.S. | | 2825750 | 2 |
| | SPRING – Regular (ident. code "FE")exc. Air Cond. | 350 Eng. Statesman | | 2818481 | 2 |
| | SPRING – Regular (ident. code "FH")exc. Air Cond. | 350 Eng. Statesman | | 2818484 | 2 |
| | SPRING – Regular (ident. code "FH")Air Cond. | 350 Eng. Statesman | | 2818484 | 2 |
| | SPRING – Regular (ident. code "FG")Air Cond. | 350 Eng. Statesman | | 2818483 | 2 |
| | SPRING – Heavy duty (ident. code "FH")exc. Air Cond. | 350 Eng. Statesman | | 2818484 | 2 |
| | SPRING – Heavy duty (ident. code "FV")exc. Air Cond. | 350 Eng. Statesman | | 2825750 | 2 |
| | SPRING – Heavy duty (ident. code "FG")Air Cond. | 350 Eng. Statesman | | 2818483 | 2 |
| | SPRING – Heavy duty (ident. code "FV")Air Cond. | 350 Eng. Statesman | | 2825750 | 2 |
| | SPRING – Regular (ident. code "FC")exc. Air Cond. | (M) 350 Eng. GTS | | 2818478 | 2 |
| | SPRING – Regular (ident. code "FD")exc. Air Cond. | (M) 350 Eng. GTS | | 2818480 | 2 |
| | SPRING – Regular (ident. code "FD")exc. Air Cond. | (A) 350 Eng. GTS | | 2818480 | 2 |
| | SPRING – Regular (ident. code "FE")exc. Air Cond. | (A) 350 Eng. GTS | | 2818481 | 2 |
| | SPRING – Regular (ident. code "FE")Air Cond. | (A) 350 Eng. GTS | | 2818481 | 2 |
| | SPRING – Regular (ident. code "FH")Air Cond. | (A) 350 Eng. GTS | | 2818484 | 2 |
| | SPRING – Heavy duty (ident. code "FD")exc. Air Cond. | (M) 350 Eng. GTS | | 2818480 | 2 |
| | SPRING – Heavy duty (ident. code "FV")exc. Air Cond. | (M) 350 Eng. GTS | | 2825750 | 2 |

"HQ" PARTS CATALOGUE

| GROUP | DESCRIPTION | MODEL | SIDE | PART No. | QTY. |
|--------------|---|----------------|---------------------------------|-----------|------|
| 6.361 | SPRING – Front (contd.) | | | | |
| | SPRING – Heavy duty (ident. code "FE") | Exc. Air Cond. | (A) 350 Eng. GTS | 2818481 | 2 |
| | SPRING – Heavy duty (ident. code "FV") | Exc. Air Cond. | (A) 350 Eng. GTS | 2825750 | 2 |
| | SPRING – Heavy duty (ident. code "FH") | Air Cond. | (A) 350 Eng. GTS | 2818484 | 2 |
| | SPRING – Heavy duty (ident. code "FV") | Air Cond. | (A) 350 Eng. GTS | 2825750 | 2 |
| 6.508 | COLUMN ASSEMBLY, GEAR ASSEMBLY – Steering | | | | |
| | COLUMN ASSEMBLY | | (M) 3 Speed | 2823127 | 1 |
| | COLUMN ASSEMBLY | | (M) 4 Speed | 2823133 | 1 |
| | COLUMN ASSEMBLY – Steering column shift | | (A) | 2823128 | 1 |
| | COLUMN ASSEMBLY – Console shift | | (A) | 2812810 | 1 |
| | GEAR ASSEMBLY – 20:1 Ratio | | Exc. Power Steering, 2 Door GTS | 2815354 | 1 |
| | GEAR ASSEMBLY – 16.7:1 Ratio | | Exc. Power Steering | 2816415 | 1 |
| | GEAR ASSEMBLY | | Power Steering | 2810820 | 1 |
| | BOLT – Gear assembly to frame | | ALL | SP2153 | 3 |
| | WASHER – Gear assembly to frame | | ALL | SP1979 | 3 |
| 6.513 | WHEEL ASSEMBLY – Steering | | | | |
| | WHEEL ASSEMBLY – Trim Nos. 10A, 10B, 10E, 10G, 10H, 10R, 10S, 10T, 10U, 17A, 19C, 22A, 22B, 22E, 22R, 24A, 24B, 24E, 24R, 28E, 28H, 28R, 28S, 28U, 30A, 30B, 30E, 30G, 30H, 30R, 30T, 32A, 32B, 32E, 32R, 34A, 34B, 34E, 34G, 34R, 34T, 36E, 36G, 36R, 36T (Black) | | Exc. SS, GTS, De Ville | 2815239BA | 1 |
| | WHEEL ASSEMBLY – Trim Nos. 11A, 11B, 11E, 11G, 11R, 11S, 11T (Saddle) | | Exc. SS, GTS, De Ville | 2815239CA | 1 |
| | WHEEL ASSEMBLY – Trim Nos. 12A, 12B, 12E, 12R (Red) | | Exc. SS, GTS, De Ville | 2815239CB | 1 |
| | WHEEL ASSEMBLY – Trim Nos. 14A, 14B, 14E, 14R (Blue) | | Exc. SS, GTS, De Ville | 2815239CD | 1 |
| | WHEEL ASSEMBLY – Trim Nos. 16E, 16G, 16R, 16T (Green) | | Exc. SS, GTS, De Ville | 2815239CE | 1 |
| | WHEEL ASSEMBLY – Trim Nos. 18E, 18H, 18R, 18S, 18U (Flax) | | Exc. SS, GTS, De Ville | 2815239CH | 1 |
| | WHEEL ASSEMBLY – Trim Nos. 19A, 19B, 19E, 19G, 19R, 19S, 19T, 21A, 21B, 21E, 21G, 21R, 21S, 21T (Brown) | | Exc. SS, GTS, De Ville | 2815239CJ | 1 |
| | WHEEL ASSEMBLY – Trim Nos. 35A, 35B, 35E, 35G, 35R (Ash) | | Exc. SS, GTS, De Ville | 2815239DD | 1 |
| | WHEEL ASSEMBLY – Trim Nos. 38E, 38G, 38R, 38T, 39A, 39B, 39E, 39G, 39R, 38T (Chestnut) | | Exc. SS, GTS, De Ville | 2815239DG | 1 |
| | WHEEL ASSEMBLY | | SS, GTS | 2817164 | 1 |
| | WHEEL ASSEMBLY – Trim Nos. 10M, 10N, 14M, 28M, 28N, 30M, 30N, 34M, 34N (Black) | | De Ville | 2816907BA | 1 |
| | WHEEL ASSEMBLY – Trim Nos. 11M, 11N (Saddle) | | De Ville | 2816907CA | 1 |
| | WHEEL ASSEMBLY – Trim Nos. 18M, 18N (Flax) | | De Ville | 2816907CH | 1 |
| | WHEEL ASSEMBLY – Trim Nos. 19M, 19N, 21M, 21N (Brown) | | De Ville | 2816907CJ | 1 |
| | WHEEL ASSEMBLY – Trim Nos. 35M, 35N (Ash) | | De Ville | 2816907DD | 1 |
| | WHEEL ASSEMBLY – Trim Nos. 38M, 38N, 39M, 39N (Chestnut) | | De Ville | 2816907DG | 1 |
| 6.518 | HOUSING, JACKET, COVER – Steering column | | | | |
| | HOUSING | | ALL | 2813553 | 1 |
| | CUP – Housing thrust | | Column Shift | 7804413 | 1 |
| | JACKET ASSEMBLY | | Column Shift | 2813170 | 1 |
| | JACKET ASSEMBLY | | Console Shift | 2819543 | 1 |
| | SCREW – Housing to jacket | | ALL | SP2323 | 4 |
| | COVER | | (M) Column Shift | 2813554 | 1 |

"HQ" PARTS CATALOGUE

| GROUP | DESCRIPTION | MODEL | SIDE | PART No. | QTY. |
|--------------|---|---------------------------------|------|----------|------|
| 6.518 | HOUSING, JACKET, COVER – Steering column (contd.) | | | | |
| | COVER | (A) Column Shift | | 2816661 | 1 |
| | COVER | Console Shift | | 2819542 | 1 |
| | RETAINER – Cover to jacket | ALL | | 2814026 | 1 |
| | COVER – Column jacket | ALL | | 7433352 | 1 |
| | STRAP – Jacket lower | Exc. (A) Column Shift | | 2823064 | 1 |
| 6.521 | BEARING ASSEMBLY – Steering shaft upper | | | | |
| | BEARING ASSEMBLY | ALL | | 7800269 | 1 |
| | RETAINER | ALL | | 5694191 | 1 |
| | RING | ALL | | 5699603 | 1 |
| | SPRING | ALL | | 7804771 | 1 |
| | WASHER – Spring | ALL | | 7800580 | 1 |
| | WASHER – .75" x 1.00" x .0478" spring | ALL | | SP2113 | 1 |
| 6.524 | SHAFT ASSEMBLY, COUPLING, WORM and BALL NUT – Steering | | | | |
| | SHAFT ASSEMBLY – Upper | ALL | | 2813164 | 1 |
| | SHAFT & COUPLING ASSEMBLY – Intermediate | ALL | | 2814808 | 1 |
| | SHAFT ASSEMBLY – Intermediate with seal | ALL | | 2814810 | 1 |
| | SLEEVE – Intermediate shaft | ALL | | 5690732 | 1 |
| | CLAMP – Intermediate shaft seal | ALL | | 7802916 | 1 |
| | RING – Intermediate shaft seal retaining | ALL | | 7803432 | 1 |
| | COUPLING ASSEMBLY – Intermediate shaft | ALL | | 2824718 | 1 |
| | COUPLING ASSEMBLY – Intermediate shaft, flanged | Exc. Power Steering | | 2815080 | 1 |
| | COUPLING ASSEMBLY – Intermediate shaft, flanged | Power Steering | | 2815081 | 1 |
| | BOLT – Hex. hd. 3/8" – 24 x 1 1/8" | Exc. Power Steering | | 181645 | 1 |
| | BOLT – Coupling to steering box (1 1/2" long) | Power Steering | | 7807271 | 1 |
| | BEARING – Coupling | ALL | | 5671921 | 2 |
| | PIN – Coupling bearing retaining | ALL | | 5690977 | 1 |
| | BOLT – Flange mounting | ALL | | 7806389 | 2 |
| | NUT – Push on – 3/8" stud | ALL | | SP2117 | 2 |
| | SEAL – Coupling | ALL | | 7808099 | 1 |
| | SPRING – Coupling | ALL | | 5675186 | 1 |
| | BOLT – Coupling clamp to steering column | ALL | | 7803464 | 1 |
| | NUT – Coupling clamp to steering column bolt | ALL | | SP2222 | 1 |
| | WORM & BALL NUT ASSEMBLY – | | | | |
| | 20:1 Steering gear ratio | Exc. Power Steering, 2 Door GTS | | 2815355 | 1 |
| | WORM & BALL NUT ASSEMBLY – | | | | |
| | 16.7:1 Steering gear ratio | Exc. Power Steering | | 2816417 | 1 |
| | WORM, VALVE & SLEEVE ASSEMBLY | Power Steering | | VS11432 | 1 |
| | 'O' RING – 3/4" x 1/8" | Exc. Power Steering | | 7430621 | 1 |
| | RETAINER – 'O' Ring seal | Exc. Power Steering | | 7431248 | 1 |
| 6.524 | BEARING, ADAPTOR – Steering shaft lower | | | | |
| | BEARING ASSEMBLY – Steering shaft lower | ALL | | 7805700 | 1 |
| | ADAPTOR – Steering shaft lower bearing | ALL | | 9929803 | 1 |
| | CLIP – Adaptor (Flat type) | ALL | | 2811164 | 1 |
| | CLIP – Adaptor (Offset type) | ALL | | 9930461 | 1 |
| 6.526 | SHIM – Steering worm adjusting (Power Steering) | | | | |
| | SHIM – .004" | ALL | | VS11423 | A.R. |
| 6.527 | RACE – Worm thrust bearing | | | | |
| | RACE | Exc. Power Steering | | 5666683 | 2 |
| | RACE | Power Steering | | VS11424 | 2 |
| 6.530 | BEARING – Worm thrust | | | | |
| | BEARING | Exc. Power Steering | | 5666693 | 2 |
| | BEARING | Power Steering | | VS11368 | 2 |

"HQ" PARTS CATALOGUE

| GROUP | DESCRIPTION | MODEL | SIDE | PART No. | QTY. |
|--------------|--|------------------------------|------|----------|------|
| 6.550 | SEAL, SPRING – Steering gear valve (Power Steering) | | | | |
| | SEAL – Valve | ALL | | VS11420 | 1 |
| | SPRING – Coupling and fail safe | ALL | | VS11372 | 1 |
| | SEAL – Torsion bar | ALL | | VS11373 | 1 |
| 6.551 | SLEEVE, RING, SEAL – Steering gear coupling (Power Steering) | | | | |
| | SLEEVE – Coupling | ALL | | VS11370 | 1 |
| | RING – Sleeve retaining | ALL | | VS11371 | 1 |
| | SEAL – Coupling sleeve | ALL | | VS11369 | 1 |
| | SEAL – Sleeve | ALL | | VS11377 | 1 |
| | SEAL – Sleeve | ALL | | VS11378 | 3 |
| 6.552 | BEARING, SPACER – Steering gear sleeve (Power Steering) | | | | |
| | BEARING – Roller | ALL | | VS11421 | 1 |
| | SPACER – Bearing | ALL | | VS11422 | 1 |
| 6.579 | SEAL – Steering gear piston rack (Power Steering) | | | | |
| | SEAL | ALL | | VS11400 | 1 |
| 6.585 | PAD, SCREW, SEAL, LOCKNUT – Steering gear rack adjusting (Power Steering) | | | | |
| | PAD | ALL | | VS11401 | 1 |
| | SCREW | ALL | | VS11426 | 1 |
| | SEAL – Screw | ALL | | VS11292 | 1 |
| | LOCKNUT – Screw | ALL | | VS11427 | 1 |
| 6.586 | RACK and SEAL ASSEMBLY, COVER – Steering gear piston (Power Steering) | | | | |
| | RACK & SEAL ASSEMBLY | ALL | | VS11398 | 1 |
| | COVER | ALL | | VS11430 | 1 |
| | SEAL – Cover | ALL | | VS11395 | 1 |
| 6.605 | PUMP ASSEMBLY – Steering gear hydraulic (Power Steering) | | | | |
| | PUMP ASSEMBLY | 173, 202 Eng. | | 2819814 | 1 |
| | PUMP ASSEMBLY | 253, 308 Eng. | | 7812724 | 1 |
| | PUMP ASSEMBLY | 350 Eng. | | 2822885 | 1 |
| 6.606 | BRACKET, BRACE, SPACER, STUD – Steering gear hydraulic pump mounting (Power Steering) | | | | |
| | BRACKET | 173, 202 Eng. | | 2815125 | 1 |
| | BOLT – Hex. fig. hd. ¼" – 20 x 2.62" | 173, 202 Eng. | | SP2107 | 2 |
| | BRACE | 173, 202 Eng. | | 2815126 | 1 |
| | SPACER – Mounting bracket to pump .31" | 173, 202 Eng. | | 7436461 | 1 |
| | SPACER – Mounting bracket to pump .67" | 173, 202 Eng. | | 2815127 | 1 |
| | SPACER – Mounting bracket to cylinder block .40" | 173, 202 Eng. | | 2815130 | 2 |
| | SPACER – Mounting bracket to thermostat housing, .73" | 173, 202 Eng. exc. Air Cond. | | 2815128 | 1 |
| | SPACER – Mounting bracket to thermostat housing, 1.53" | 173, 202 Eng. | | 2815131 | 1 |
| | STUD – Pump mounting | 173, 202, 350 Eng. | | 5689546 | 1 |
| | BOLT – Reservoir | 253, 308, 350 Eng. | | 5696245 | 1-2 |
| | BRACKET | 253, 308 Eng. | | 2814440 | 1 |
| | SPACER – Pump to front bracket .36" | 253, 308 Eng. | | 2806877 | 1 |
| | SPACER – Mounting bracket to cylinder head 1.305" | 253, 308 Eng. | | 2814442 | 3 |
| | BRACKET – Pivot | 350 Eng. | | 3941102 | 1 |
| | SPACER – Pump to pivot bracket | 350 Eng. | | 2818222 | 1 |
| | BRACKET – Adjusting | 350 Eng. | | 3941103 | 1 |
| | SUPPORT – Adjusting bracket | 350 Eng. | | 3959558 | 1 |
| 6.608 | HOUSING, PIN – Steering gear hydraulic pump (Power Steering) | | | | |
| | HOUSING ASSEMBLY | ALL | | 5698116 | 1 |
| | PIN – Ring dowel ⅜" x 1 ½" | ALL | | 5689357 | 2 |

“HQ” PARTS CATALOGUE

| GROUP | DESCRIPTION | MODEL | SIDE | PART No. | QTY. |
|--------------|---|------------------------------|------|----------|------|
| 6.609 | SEAL KIT, RING – Steering gear hydraulic pump (Power Steering) | | | | |
| | SEAL KIT | ALL | | 5688044 | 1 |
| | RING – End plate retaining, 3" O.D. | ALL | | 5688014 | 1 |
| 6.610 | ROTOR KIT, VANE KIT, ROTOR – Steering gear hydraulic pump (Power Steering) | | | | |
| | ROTOR KIT – (1 rotor, 10 vanes, 1 ring) | ALL | | 5690858 | 1 |
| | VANE KIT – (10 vanes) | ALL | | 5688047 | 1 |
| | ROTOR | ALL | | 5688011 | 1 |
| 6.611 | RING – Steering gear hydraulic pump (Power Steering) | | | | |
| | RING | ALL | | 5690857 | 1 |
| 6.612 | PLATE, SPRING, SEAL – Steering gear hydraulic pump (Power Steering) | | | | |
| | PLATE – Thrust | 173, 202, 253, 308 Eng. | | 7813462 | 1 |
| | PLATE – Thrust | 350 Eng. | | 7813462 | 1 |
| | PLATE – Pressure | ALL | | 5688043 | 1 |
| | PLATE – Pump end | ALL | | 5689358 | 1 |
| | SPRING – Flow control | ALL | | 5688037 | 1 |
| | SPRING – Pressure plate | ALL | | 5689359 | 1 |
| | SEAL – ‘O’ Ring end and pressure plate | ALL | | 5688034 | 2 |
| 6.614 | SHAFT – Steering gear hydraulic pump drive (Power Steering) | | | | |
| | SHAFT – Service kit | ALL | | 7810333 | 1 |
| | RING – Shaft retaining | ALL | | 5689388 | 1 |
| | KEY – Drive shaft | ALL | | 5687898 | 1 |
| 6.617 | SEAL – Steering gear hydraulic pump drive shaft (Power Steering) | | | | |
| | SEAL | ALL | | 7808195 | 1 |
| 6.624 | VALVE ASSEMBLY – Steering gear hydraulic pump control (Power Steering) | | | | |
| | VALVE ASSEMBLY | ALL | | 7809226 | 1 |
| 6.630 | FILTER ASSEMBLY, ELEMENT – Hydraulic steering pump (Power Steering) | | | | |
| | FILTER ASSEMBLY | 173, 202, 253, 308 Eng. | | 5689351 | 1 |
| | ELEMENT – Filter | 173, 202, 253, 308 Eng. | | 5689352 | 1 |
| 6.635 | RESERVOIR, SEAL – Steering gear hydraulic pump (Power Steering) | | | | |
| | RESERVOIR ASSEMBLY | 173, 202, 253, 308 Eng. | | 5693014 | 1 |
| | RESERVOIR ASSEMBLY | 350 Eng. | | 7808859 | 1 |
| | CAP ASSEMBLY | ALL | | 7803820 | 1 |
| | SEAL – ‘O’ Ring 4 1/2" I.D. | ALL | | 5688015 | 1 |
| | SEAL – Reservoir bolt 3/8" I.D. | ALL | | 5688109 | 2 |
| 6.655 | PULLEY, NUT – Steering gear hydraulic pump (Power Steering) | | | | |
| | PULLEY ASSEMBLY | 173, 202, 253, 308 Eng. | | 7436278 | 1 |
| | PULLEY ASSEMBLY | 350 Eng. exc. Air Cond. | | 3770509 | 1 |
| | PULLEY ASSEMBLY | 350 Eng. Air Cond. | | 3941107 | 1 |
| | NUT | ALL | | 3824475 | 1 |
| 6.660 | BELT – Steering gear hydraulic pump drive (Power Steering) | | | | |
| | BELT | 173, 202 Eng. | | 3848255 | 1 |
| | BELT | 253, 308 Eng. | | 3845648 | 1 |
| | BELT | 350 Eng. | | 3986191 | 1 |

"HQ" PARTS CATALOGUE

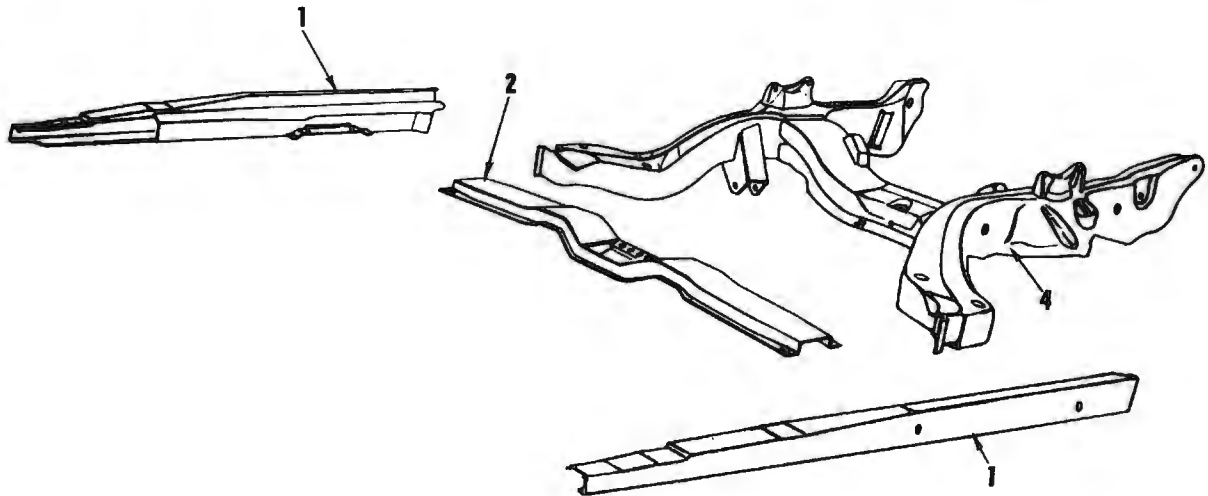
| GROUP | DESCRIPTION | MODEL | SIDE | PART No. | QTY. |
|--------------|---|------------------------------|------|----------|------|
| 6.670 | HOSE ASSEMBLY – Steering pump to valve (Power Steering) | | | | |
| | HOSE ASSEMBLY – Pressure | 173, 202, 253, 308 Eng. | | 2825687 | 1 |
| | HOSE ASSEMBLY – Return | 173, 202, 253, 308 Eng. | | 2817879 | 1 |
| | CLIP – Pressure hose to return hose | 173, 202, 253, 308 Eng. | | SP1581 | 1 |
| | HOSE ASSEMBLY – Pressure | 350 Eng. | | 2825688 | 1 |
| | HOSE ASSEMBLY – Return | 350 Eng. | | 2817881 | 1 |
| | NUT – Pressure hose to steering box | ALL | | 5686469 | 1 |
| 6.672 | CLAMP – Hydraulic steering pump hose (Power Steering) | | | | |
| | CLAMP – Return hose .66" Dia. | ALL | | SP1974 | 2 |
| | CLAMP – Hoses to stabiliser bar | 350 Eng. | | 2819316 | 2 |
| 6.673 | FITTING ASSEMBLY – Steering gear hydraulic valve hose (Power Steering) | | | | |
| | FITTING ASSEMBLY | 173, 202, 253, 308 Eng. | | 7811617 | 1 |
| | FITTING ASSEMBLY | 350 Eng. | | 7811616 | 1 |
| 6.674 | SEAL – Steering gear hydraulic valve hose and fitting (Power Steering) | | | | |
| | SEAL – Pump outlet fitting – Rectangular section | ALL | | 5688049 | 1 |
| | SEAL – Pump outlet fitting – 'O' Ring | ALL | | 5688035 | 1 |
| 6.758 | COVER, INSULATOR – Steering column | | | | |
| | COVER – To dash | (M) | | 2818094 | 1 |
| | COVER – To dash | (A) | | 2818095 | 1 |
| | INSULATOR | Steering Column Shift | | 2811742 | 1 |
| | INSULATOR – To dash | ALL | | 2818096 | 1 |
| | SEAL – Lower | Console Shift | | 2824649 | 1 |
| | SEAL – To Instrument panel | ALL | | 2822303 | 1 |
| 6.760 | BRACKET ASSEMBLY – Steering column support | | | | |
| | BRACKET & CAPSULE ASSEMBLY | Exc. 37 | | 2813725 | 1 |
| | BRACKET & CAPSULE ASSEMBLY | 37 | | 2813726 | 1 |
| 6.761 | BRACE ASSEMBLY, SUPPORT – Instrument panel to dash | | | | |
| | BRACE ASSEMBLY | ALL | | 2810841 | 1 |
| | SUPPORT | ALL | | 2815149 | 1 |
| 6.786 | BEARING – Steering gear housing pitman shaft | | | | |
| | BEARING | Exc. Power Steering | | 2810043 | 2 |
| | BEARING | Power Steering | | VS11419 | 1 |
| 6.803 | HOUSING ASSEMBLY – Steering gear | | | | |
| | HOUSING ASSEMBLY | Exc. Power Steering | | 2810034 | 1 |
| | HOUSING ASSEMBLY | Power Steering | | VS11414 | 1 |
| | TUBE – Return hose connection | Power Steering | | VS11279 | 1 |
| | SEAT – Pressure hose connection | Power Steering | | VS11417 | 1 |
| 6.807 | COVER ASSEMBLY – Steering gear housing | | | | |
| | COVER ASSEMBLY | Exc. Power Steering | | 2810254 | 1 |
| | COVER ASSEMBLY | Power Steering | | VS11393 | 1 |
| | PLUG – Cover | Power Steering | | VS11396 | 1 |
| | SCREW & LOCK WASHER – Cover | Power Steering | | VS11397 | 4 |
| 6.809 | GASKET, SEAL – Steering gear housing cover | | | | |
| | GASKET | Exc. Power Steering | | 2810255 | 1 |
| | SEAL | Power Steering | | VS11395 | 1 |

“HQ” PARTS CATALOGUE

| GROUP | DESCRIPTION | MODEL | SIDE | PART No. | QTY. |
|--------------|---|---------------------------------|------|----------|------|
| 6.822 | ADJUSTER – Steering gear lash | | | | |
| | ADJUSTER | Exc. Power Steering | | 7437825 | 1 |
| | SCREW – Adjusting | Power Steering | | VS11390 | 1 |
| | CLIP – Adjusting screw locking | Power Steering | | VS11391 | 1 |
| | SCREW – Drive | Power Steering | | VS11392 | 1 |
| 6.830 | ADJUSTER, NUT – Steering gear worm bearing | | | | |
| | ADJUSTER | Exc. Power Steering | | 2810257 | 1 |
| | NUT – Adjuster lock | Exc. Power Steering | | 7409058 | 1 |
| | ADJUSTER | Power Steering | | VS11429 | 1 |
| | NUT – Adjuster lock | Power Steering | | VS11413 | 1 |
| 6.840 | SEAL – Steering gear worm bearing adjuster | | | | |
| | SEAL | Power Steering | | VS11428 | 1 |
| 6.842 | GUIDE – Steering gear ball return | | | | |
| | GUIDE | Exc. Power Steering | | 5666887 | 4 |
| 6.843 | CLAMP – Steering gear ball return guide | | | | |
| | CLAMP | Exc. Power Steering | | 5666888 | 1 |
| | SCREW – Clamp guide | Exc. Power Steering | | 187375 | 1 |
| 6.844 | BALL – Steering gear | | | | |
| | BALL | Exc. Power Steering | | 266800 | 54 |
| 6.850 | GEAR – Pitman | | | | |
| | GEAR – 20:1 Steering gear ratio | Exc. 2 Door GTS, Power Steering | | 2810036 | 1 |
| | GEAR – 16.7:1 Steering gear ratio | Exc. Power Steering | | 2816414 | 1 |
| | GEAR | Power Steering | | VS11380 | 1 |
| 6.852 | SPRING – Pitman gear control | | | | |
| | SPRING | Exc. Power Steering | | 2810258 | 1 |
| | SEAT – Spring | Exc. Power Steering | | 2810259 | 1 |
| 6.855 | SEAL – Steering gear pitman shaft | | | | |
| | SEAL | Exc. Power Steering | | 2810038 | 1 |
| | SEAL | Power Steering | | VS11290 | 1 |
| | RING – Seal back-up | Power Steering | | VS11289 | 1 |
| 6.856 | CLIP, EXCLUDER – Steering gear pitman shaft seal | | | | |
| | CLIP – Retainer | Power Steering | | VS11288 | 1 |
| | EXCLUDER – Dust | Power Steering | | VS11425 | 1 |
| 6.859 | ARM – Pitman | | | | |
| | ARM | Exc. Power Steering | | 2809280 | 1 |
| | ARM | Power Steering | | 2809281 | 1 |
| 6.861 | NUT – Pitman arm assembly to shaft | | | | |
| | NUT | ALL | | 5667628 | 1 |
| | WASHER | ALL | | 5697702 | 1 |
| | WASHER – Stepped | Power Steering | | 2824002 | A.R. |
| 6.870 | ROD – Steering connecting | | | | |
| | ROD ASSEMBLY | ALL | | 2808985 | 1 |
| | SEAL ASSEMBLY – Ball joint | ALL | | 5693027 | 2 |
| 6.895 | LEVER – Steering gear connecting rod idler | | | | |
| | LEVER | ALL | | 2824307 | 1 |

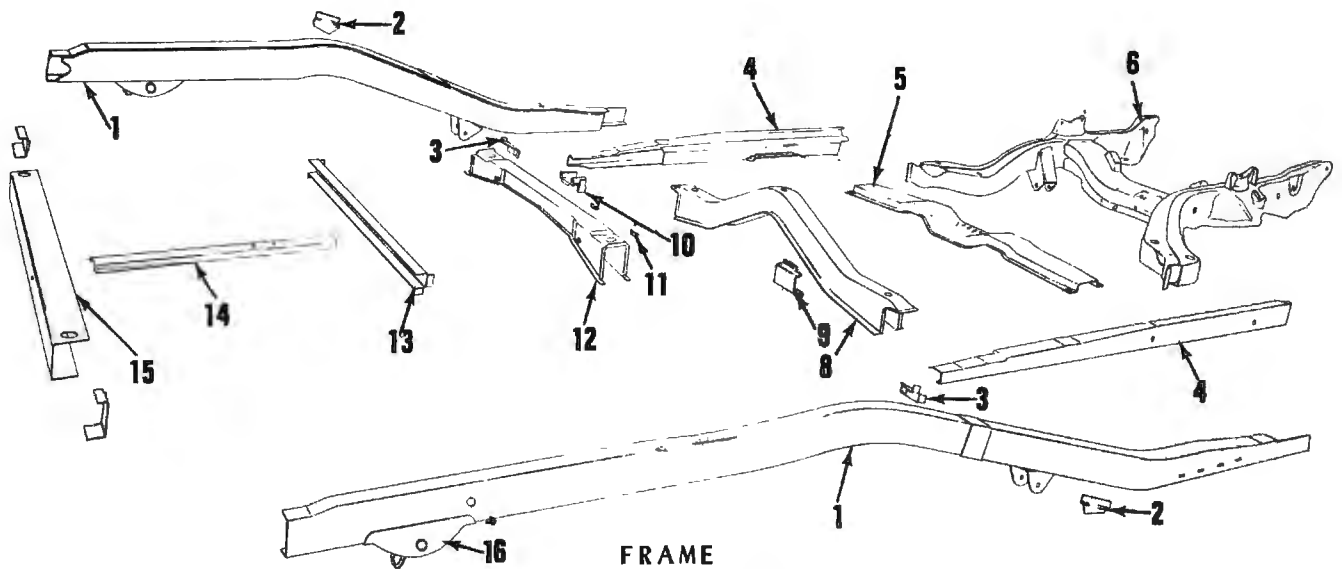
"HQ" PARTS CATALOGUE

| GROUP | DESCRIPTION | MODEL | SIDE | PART No. | QTY. |
|--------------|--|-----------|------|----------|------|
| 6.896 | SUPPORT ASSEMBLY – Steering gear connecting rod idler lever | | | | |
| | SUPPORT ASSEMBLY | ALL | | 2822078 | 1 |
| | NUT - Hex. 3/8" - 16 | ALL | | 9422277 | 2 |
| 6.897 | BUSHING ASSEMBLY – Steering connecting rod idler lever | | | | |
| | BUSHING ASSEMBLY | ALL | | 2818853 | 1 |
| 6.898 | SEAL – Steering connecting rod idler lever | | | | |
| | SEAL | ALL | | 7437355 | 1 |



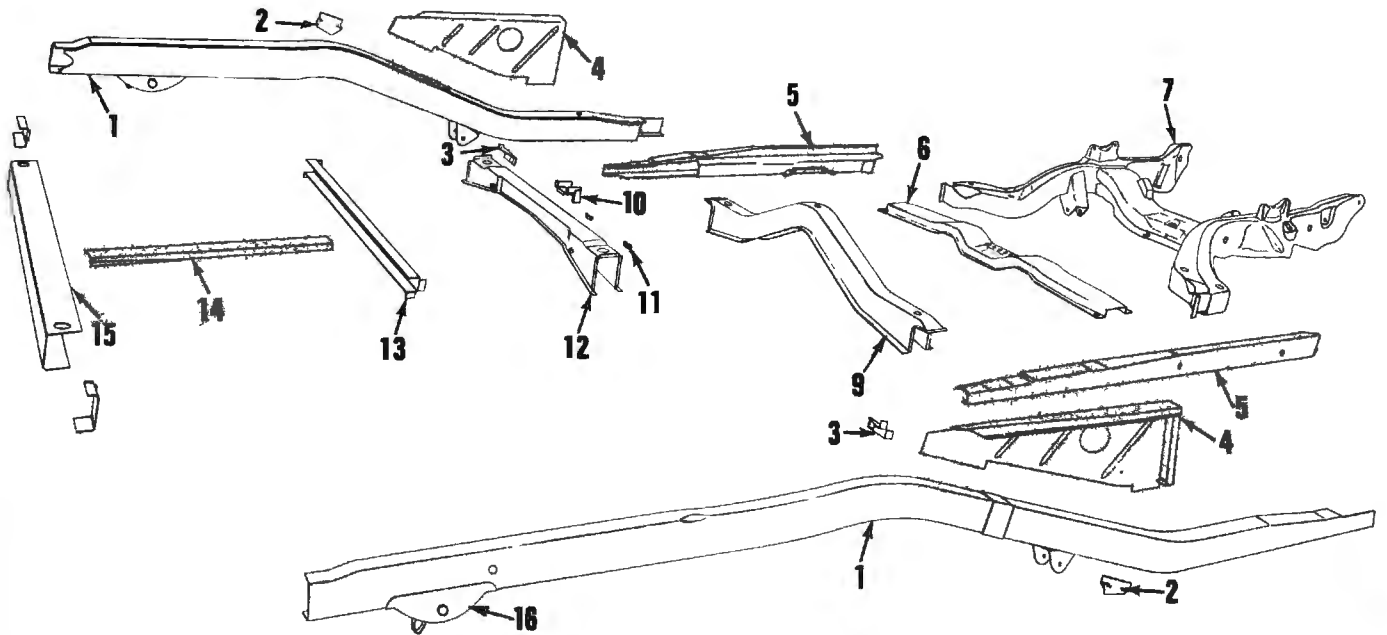
FRAME (Passenger)

| ILLUS. REF. NO. | PART NAME | GROUP | ILLUS. REF. NO. | PART NAME | GROUP |
|-----------------|--|--------|-----------------|-------------------------------|--------|
| 1. | BAR ASSY. - Centre side outer | 7.003 | 4. | FRAME ASSY. - Front end | 12.980 |
| 2. | MEMBER ASSY. - Transmission mtg. cross | 12.982 | 1-4 Inc. | FRAME ASSY. - Body | 7.003 |



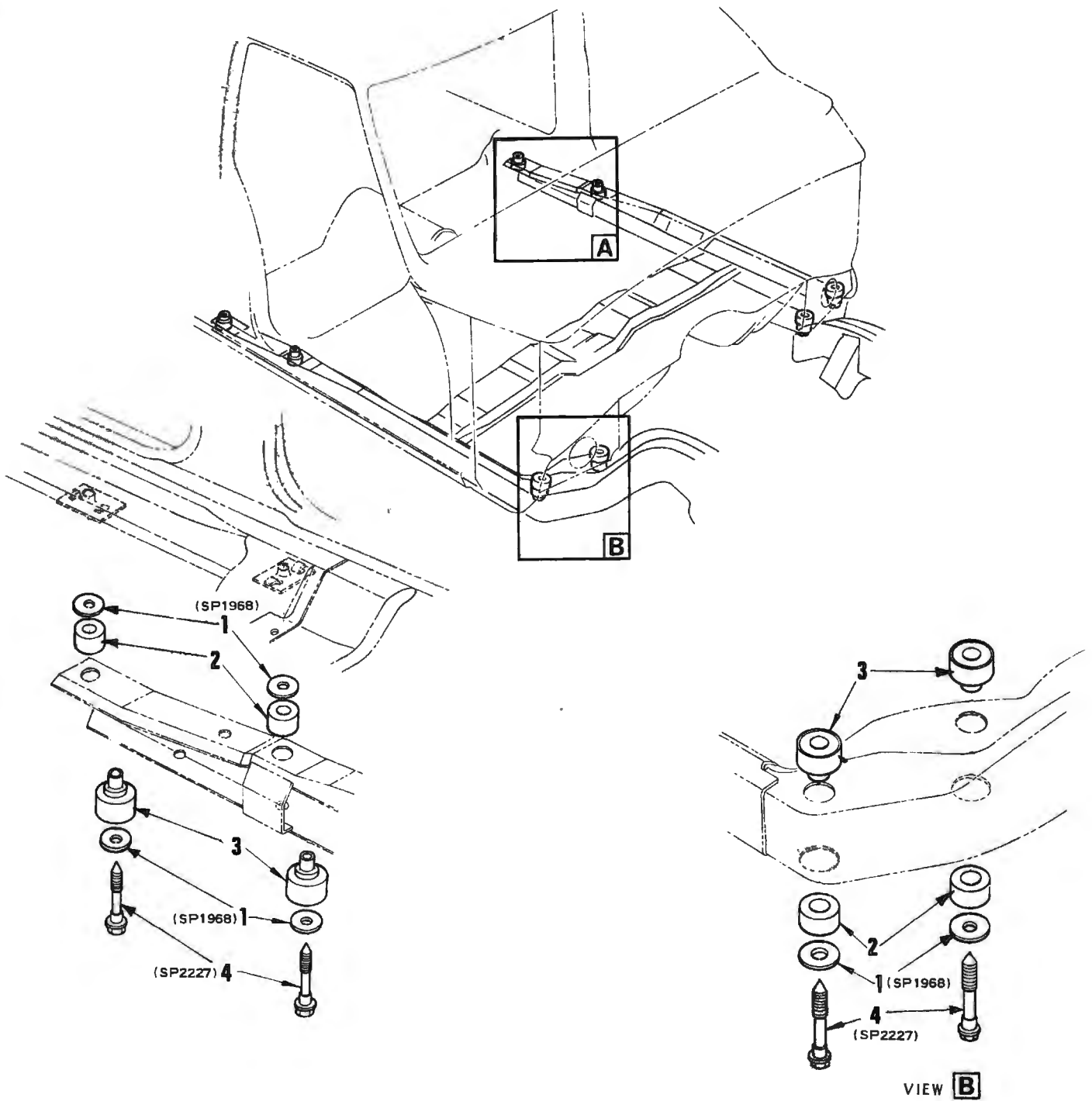
FRAME (Panel Van & Utility)

| ILLUS. REF. NO. | PART NAME | GROUP | ILLUS. REF. NO. | PART NAME | GROUP |
|-----------------|--|--------|-----------------|--|-------|
| 1. | BAR ASSY. - Rear side | 7.003 | 10. | BRACKET ASSY. - Muffer upper support | 3.704 |
| 2. | REINFORCEMENT - Rr. spring frt. hanger.. | 7.112 | 11. | BRACKET - Fuel tank mounting | 3.001 |
| 3. | BRACKET - Rear cable anchor | 4.829 | 12. | MEMBER ASSY. - Frame | 7.013 |
| 4. | BAR ASSY. - Centre side | 7.003 | 13. | MEMBER - Hoist support | 7.013 |
| 5. | MEMBER ASSY. - Transmission mtg. cross | 12.982 | 14. | SUPPORT - Hoist | 7.013 |
| 6. | FRAME ASSY. - Front end | 12.980 | 15. | MEMBER - Frame rear | 7.014 |
| 8. | MEMBER ASSY. - Front frame | 7.012 | 16. | BRACKET ASSY. - Rr. spring rr. hanger | 7.118 |
| 9. | ARRESTOR - Front | 3.001 | 1-16, Inc. | FRAME ASSY. - Body | 7.003 |



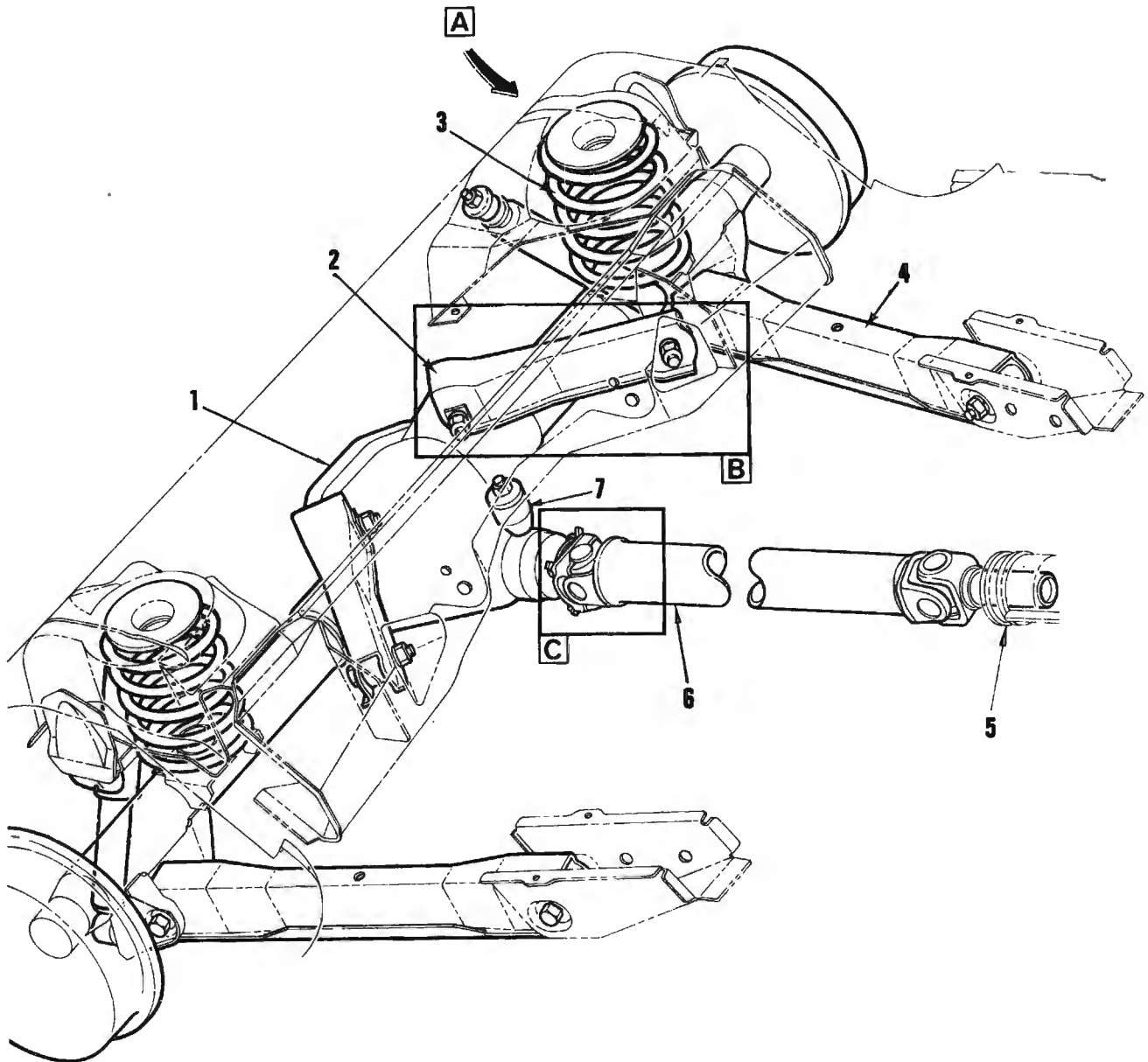
FRAME (Chassis & Cab.)

| ILLUS. REF. NO. | PART NAME | GROUP | ILLUS. REF. NO. | PART NAME | GROUP |
|-----------------|--|--------|-----------------|---|-------|
| 1. | BAR ASSEMBLY - Rear side | 7.003 | 10. | BRACKET ASSEMBLY - Muffler upper support | 3.704 |
| 2. | REINFORCEMENT - Rear spring front hanger | 7.112 | 11. | BRACKET - Fuel tank mounting | 3.001 |
| 3. | BRACKET - Rear cable anchor | 4.829 | 12. | MEMBER ASSEMBLY - Frame | 7.013 |
| 4. | PLATE ASSEMBLY - Cab mounting | 7.016 | 13. | MEMBER - Hoist support | 7.013 |
| 5. | BAR ASSEMBLY - Centre side | 7.003 | 14. | SUPPORT - Hoist | 7.013 |
| 6. | MEMBER ASSY. - Transmission mounting cross.. | 12.982 | 15. | MEMBER - Frame rear | 7.014 |
| 7. | FRAME ASSEMBLY - Front end | 12.980 | 16. | BRACKET ASSEMBLY - Rear spring rear hanger .. | 7.118 |
| 9. | MEMBER ASSEMBLY - Front frame | 7.012 | 1-16 | Inc. FRAME ASSEMBLY - Body | 7.003 |



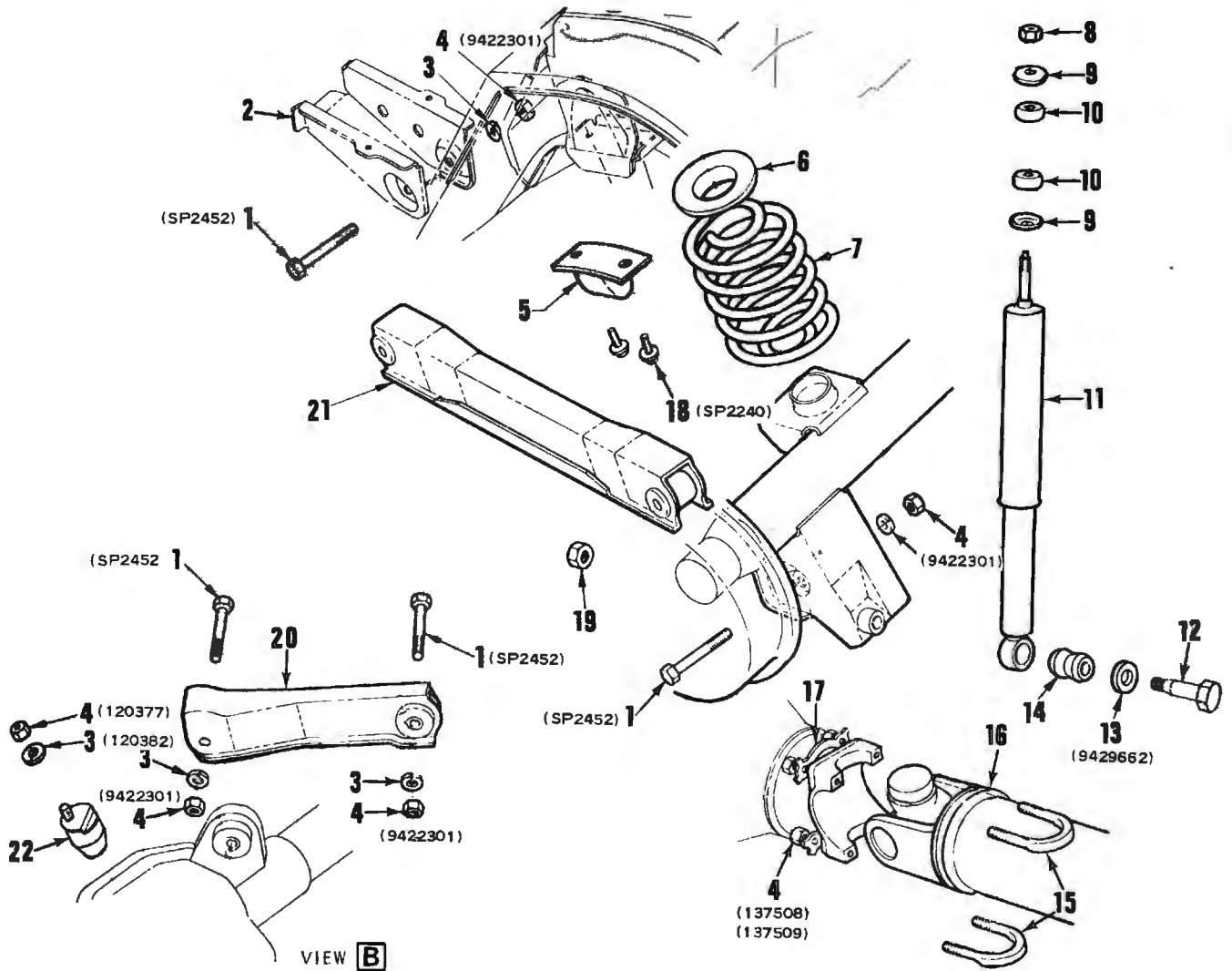
BODY MOUNTINGS

| ILLUS. REF. NO. | PART NAME | GROUP | ILLUS. REF. NO. | PART NAME | GROUP |
|-----------------|---------------------|-------|-----------------|---------------------------|-------|
| 1. | WASHER - Flat | 7.020 | 3. | MOUNT ASSY. - Body | 7.020 |
| 2. | MOUNT - Body | 7.020 | 4. | BOLT - Hexagon head | 7.020 |



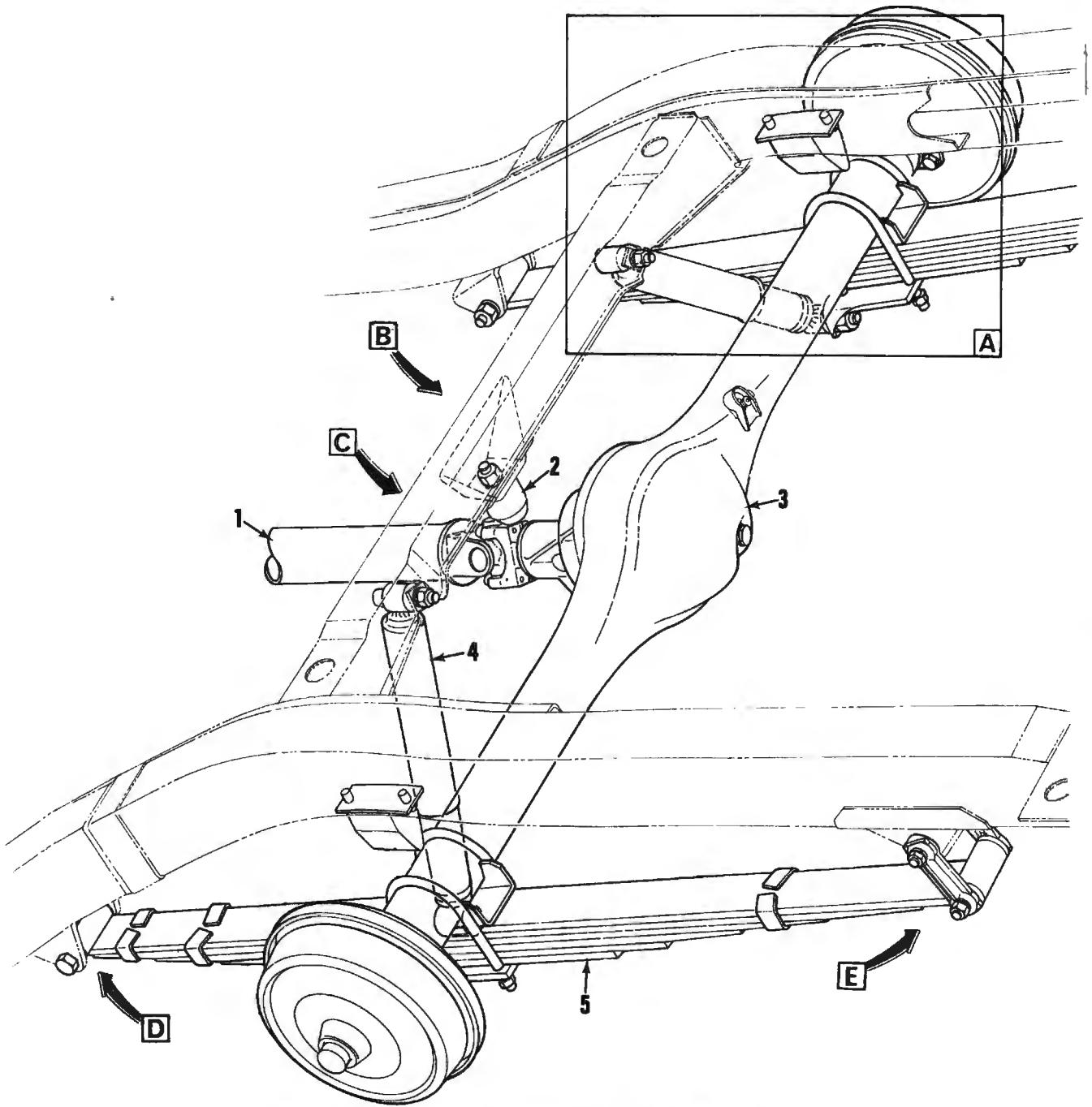
REAR AXLE and SUSPENSION (Passenger)

| ILLUS. REF. NO. | PART NAME | GROUP | ILLUS. REF. NO. | PART NAME | GROUP |
|-----------------|-----------------------------------|-------|-----------------|-------------------------------|-------|
| 1. | DIFFERENTIAL & CARRIER ASSY. | 5.504 | 4. | ARM ASSY. - Lower | 5.382 |
| 2. | ARM ASSY. - Upper | 5.382 | 5. | HOUSING ASSY. | 4.317 |
| 3. | SPRING ASSY. | 7.503 | 6. | SHAFT ASSY. - Propeller | 5.441 |
| | | | 7. | BUMPER ASSY. | 5.395 |



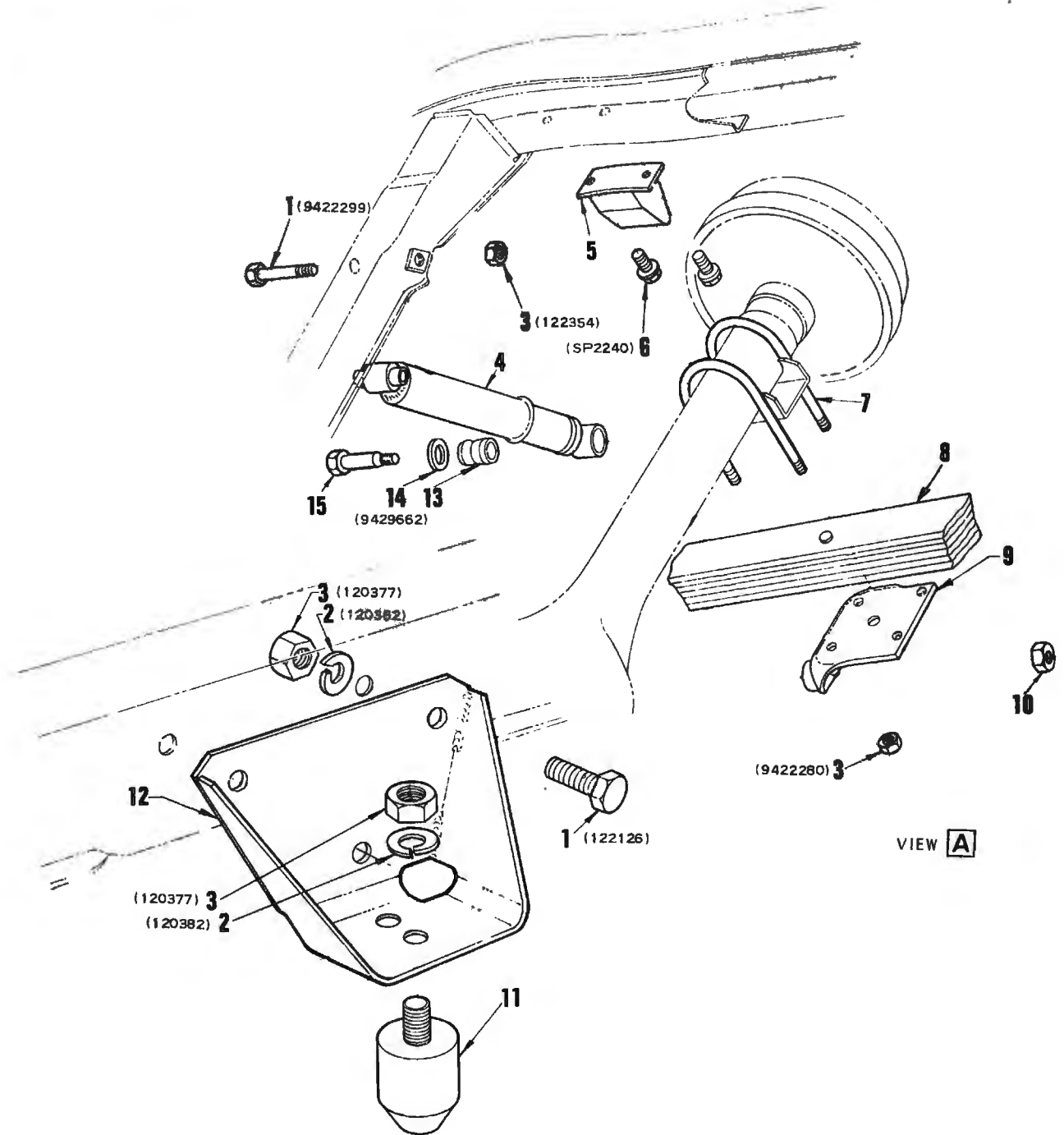
REAR SUSPENSION (Passenger)

| ILLUS. REF. NO. | PART NAME | GROUP | ILLUS. REF. NO. | PART NAME | GROUP |
|-----------------|--|-------|-----------------|---|-------|
| 1. | BOLT - Hexagon head | 8.900 | 11. | SHOCK ABSORBER ASSY. - Rear | 7.345 |
| 2. | BRACKET ASSY. - Front mounting | 5.382 | 12. | BOLT - Shock absorber to bracket | 7.370 |
| 3. | WASHER - Lock | 8.931 | 13. | WASHER - Flat | 8.929 |
| 4. | NUT - Hexagon | 8.915 | 14. | BUSHING - Shock absorber to bracket ... | 7.370 |
| 5. | BUMPER | 7.535 | 15. | "U" BOLT - Rear universal joint | 5.586 |
| 6. | INSULATOR - Rear spring | 7.545 | 16. | SHAFT ASSY. - Propeller | 5.441 |
| 7. | SPRING ASSY. | 7.503 | 17. | PLATE - Lock | 5.546 |
| 8. | NUT - Rear shock absorber to u/body | 7.370 | 18. | SCREW - Sheet metal | 8.977 |
| 9. | PLATE - Rear shock absorber to u/body .. | 7.370 | 19. | NUT - Shock absorber to bracket | 7.370 |
| 10. | BUSHING - Rear shock abs. to u/body | 7.370 | 20. | ARM ASSY. - Upper | 5.382 |
| | | | 21. | ARM ASSY. - Lower | 5.382 |
| | | | 22. | BUMPER ASSY. | 5.395 |



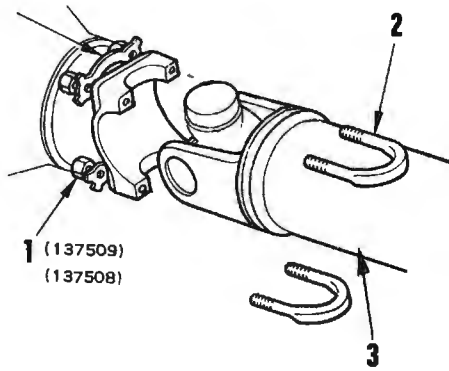
REAR AXLE and SUSPENSION (Commercial)

| ILLUS. REF. NO. | PART NAME | GROUP | ILLUS. REF. NO. | PART NAME | GROUP |
|--------------------|-------------------------------|-------|--------------------|-----------------------------------|-------|
| 1. | SHAFT ASSY. — Propeller | 5.441 | 4. | SHOCK ABSORBER ASSY. — Rear | 7.345 |
| 2. | BUMPER ASSY. | 5.395 | 5. | SPRING ASSY. | 7.503 |
| 3. | AXLE ASSY. — Rear | 5.386 | | | |

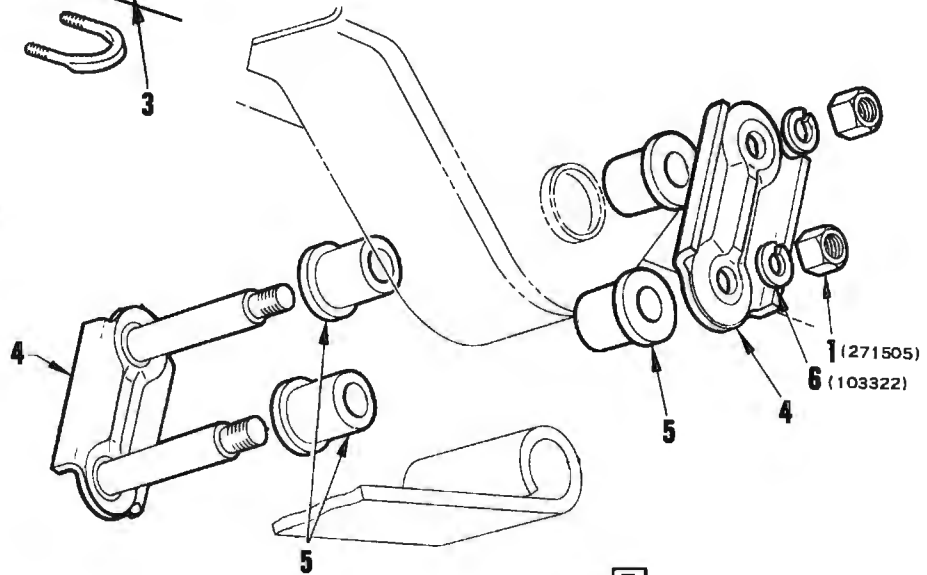


REAR SUSPENSION (Commercial)

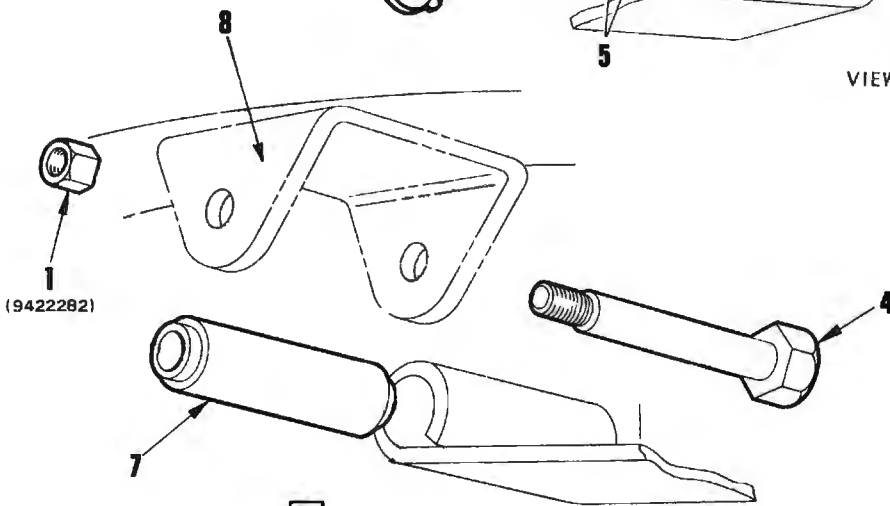
| ILLUS. REF. NO. | PART NAME | GROUP | ILLUS. REF. NO. | PART NAME | GROUP |
|-----------------|-----------------------------------|-------|-----------------|---|-------|
| 1. | BOLT - Hexagon head | 8.900 | 9. | PLATE ASSY. | 7.518 |
| 2. | WASHER - Lock | 8.931 | 10. | NUT - Shock absorber to bracket | 7.370 |
| 3. | NUT - Hexagon | 8.915 | 11. | BUMPER ASSY. | 5.395 |
| 4. | SHOCK ABSORBER ASSY. - Rear | 7.345 | 12. | BRACKET - Bumper | 5.395 |
| 5. | BUMPER | 7.535 | 13. | BUSHING - Shock absorber to bracket ... | 7.370 |
| 6. | SCREW - Sheet metal | 8.977 | 14. | WASHER - Flat | 8.929 |
| 7. | 'U' BOLT - Rear spring | 7.516 | 15. | BOLT - Shock absorber to bracket | 7.370 |
| 8. | SPRING ASSY. | 7.503 | | | |



VIEW **C**



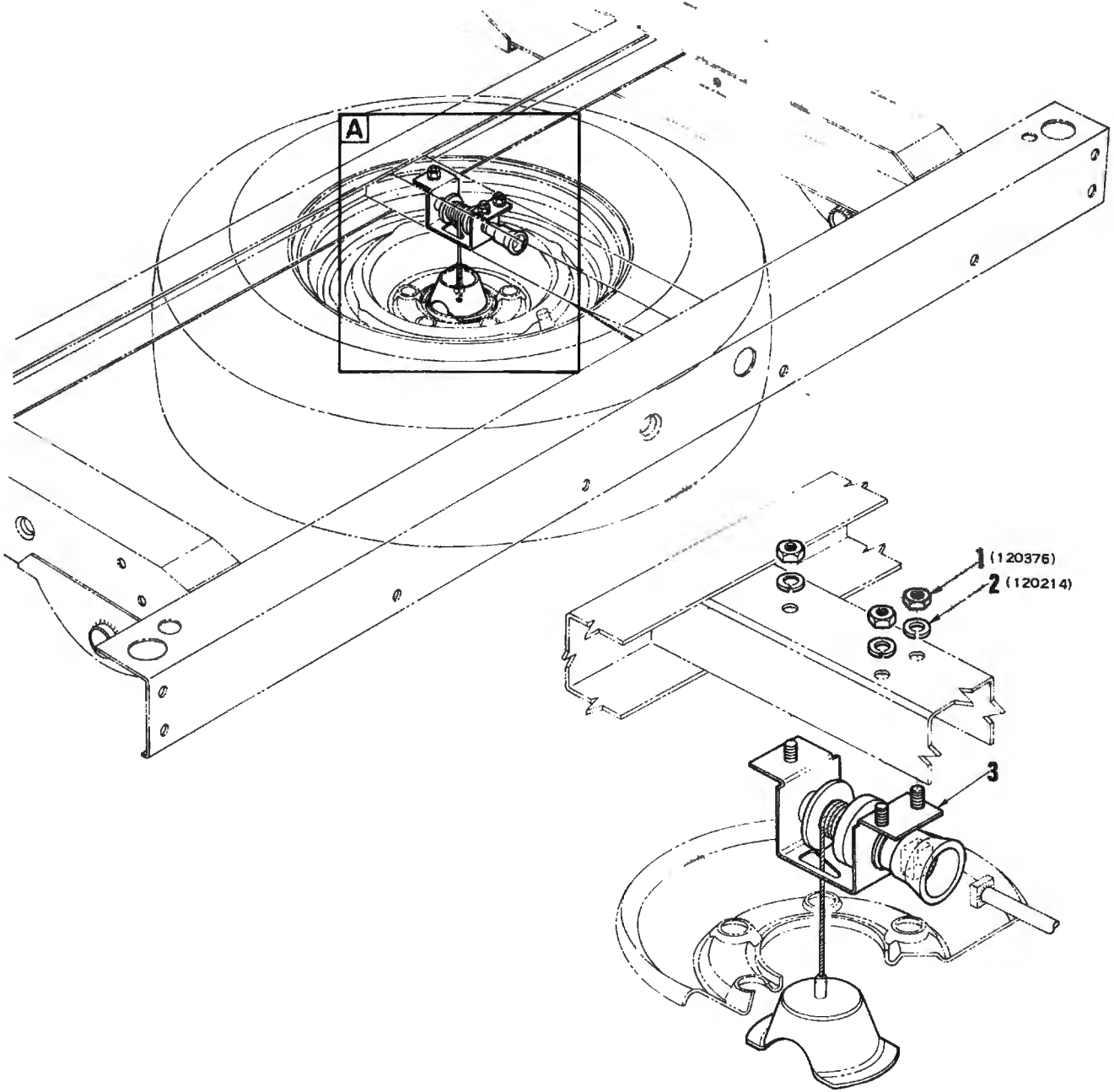
VIEW **E**



VIEW **D**

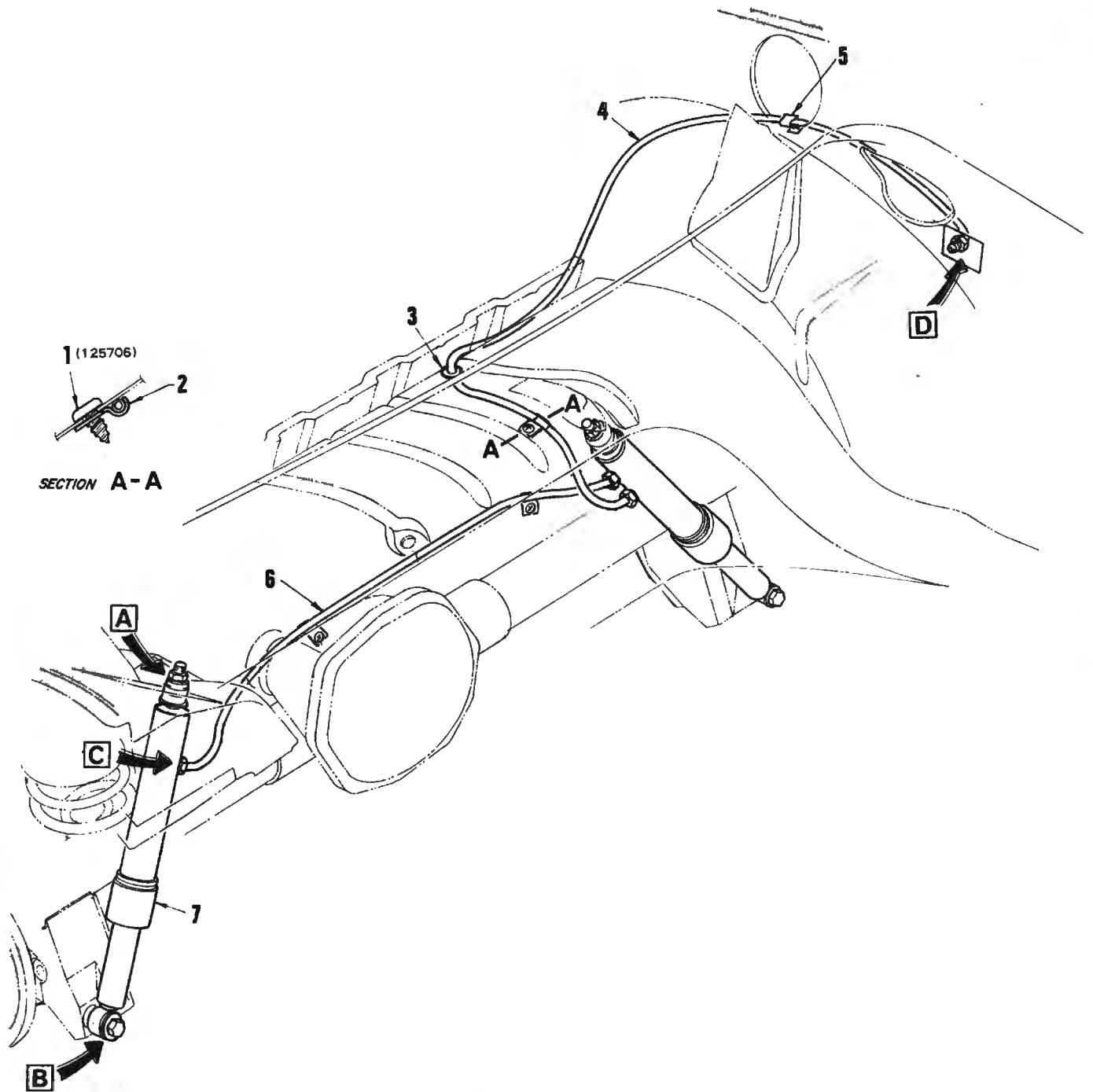
REAR SPRING SHACKLES (Commercial)

| ILLUS. REF. NO. | PART NAME | GROUP | ILLUS. REF. NO. | PART NAME | GROUP |
|-----------------|--------------------------------------|-------|-----------------|-----------------------|-------|
| 1. | NUT - Hexagon | 8.915 | 5. | BUSHING - Rear | 7.524 |
| 2. | 'U'BOLT - Rear universal joint | 5.586 | 6. | WASHER - Lock | 8.931 |
| 3. | SHAFT ASSY. - Propeller | 5.441 | 7. | BUSHING - Front | 7.524 |
| 4. | SHACKLE SET - Rear spring | 7.523 | 8. | BRACKET ASSY. | 7.112 |



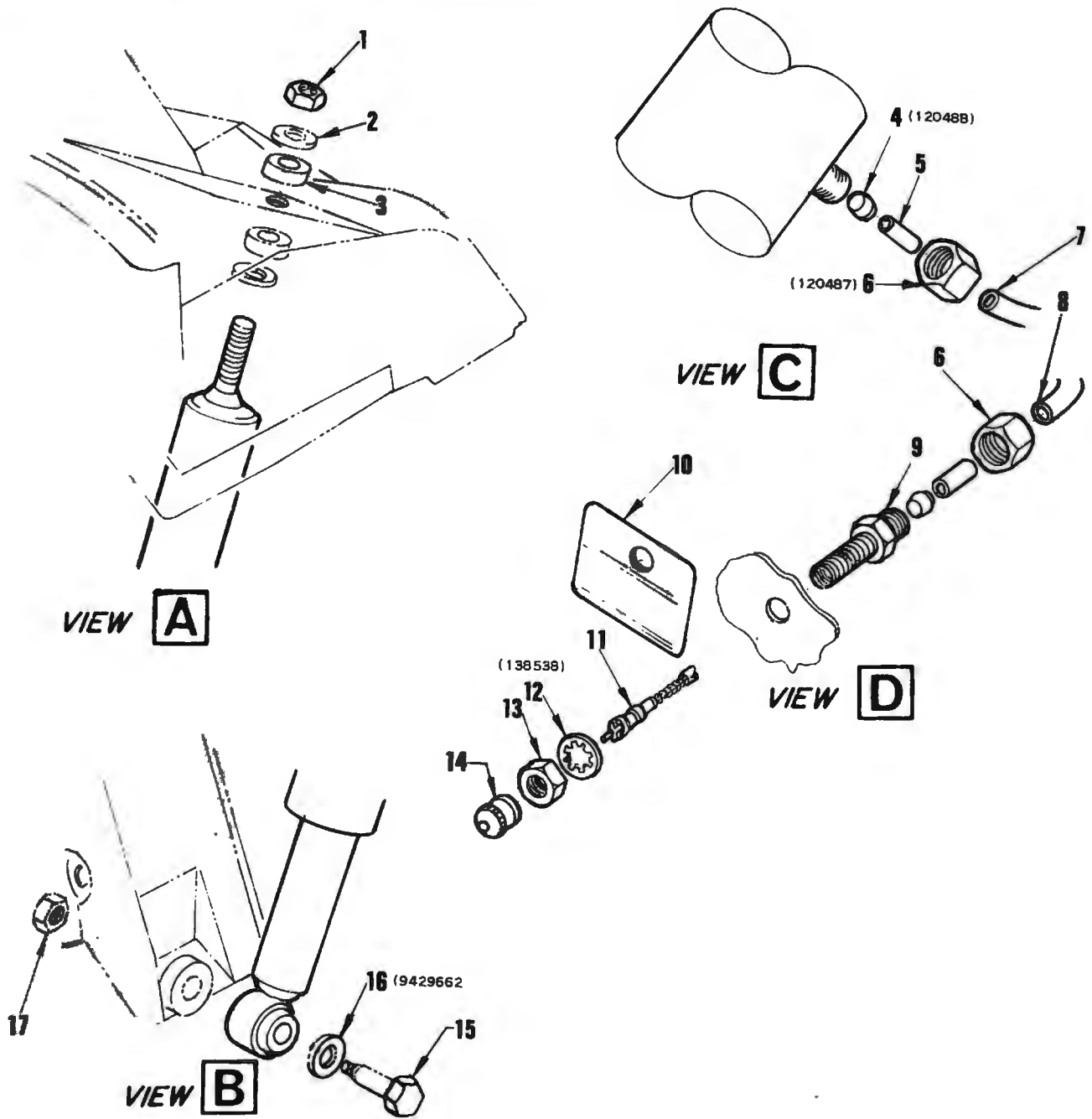
SPARE WHEEL MOUNTING (Commercial)

| ILLUS. REF. NO. | PART NAME | GROUP | ILLUS. REF. NO. | PART NAME | GROUP |
|-----------------|---------------------|-------|-----------------|---------------------------------|-------|
| 1. | NUT - Hexagon | 8.915 | 3. | HOIST ASSY. - Spare wheel | 7.640 |
| 2. | WASHER - Lock | 8.931 | | | |



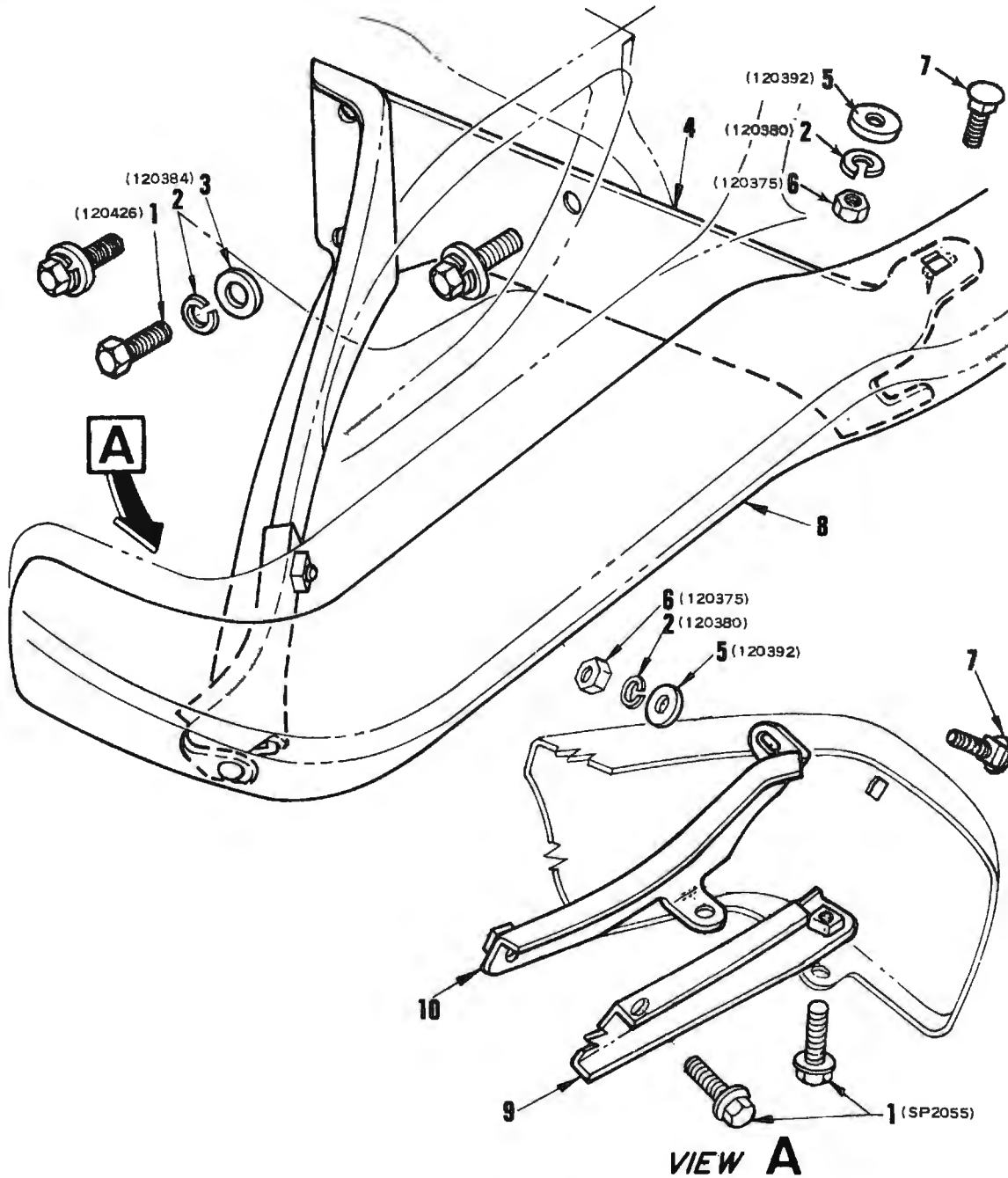
REAR SHOCK ABSORBER (Superlift)

| ILLUS. REF. NO. | PART NAME | GROUP | ILLUS. REF. NO. | PART NAME | GROUP |
|-----------------|------------------------------------|-------|-----------------|--|-------|
| 1. | SCREW - Sheet metal | 8.977 | 5. | CLIP - Tube to underbody | 7.347 |
| 2. | RETAINER - Tube to underbody | 7.347 | 6. | TUBE - Interconnection | 7.347 |
| 3. | GROMMET | 7.347 | 7. | SHOCK ABSORBER ASSY. - Rear, superlift | 7.347 |
| 4. | TUBE - Inflation | 7.347 | | | |



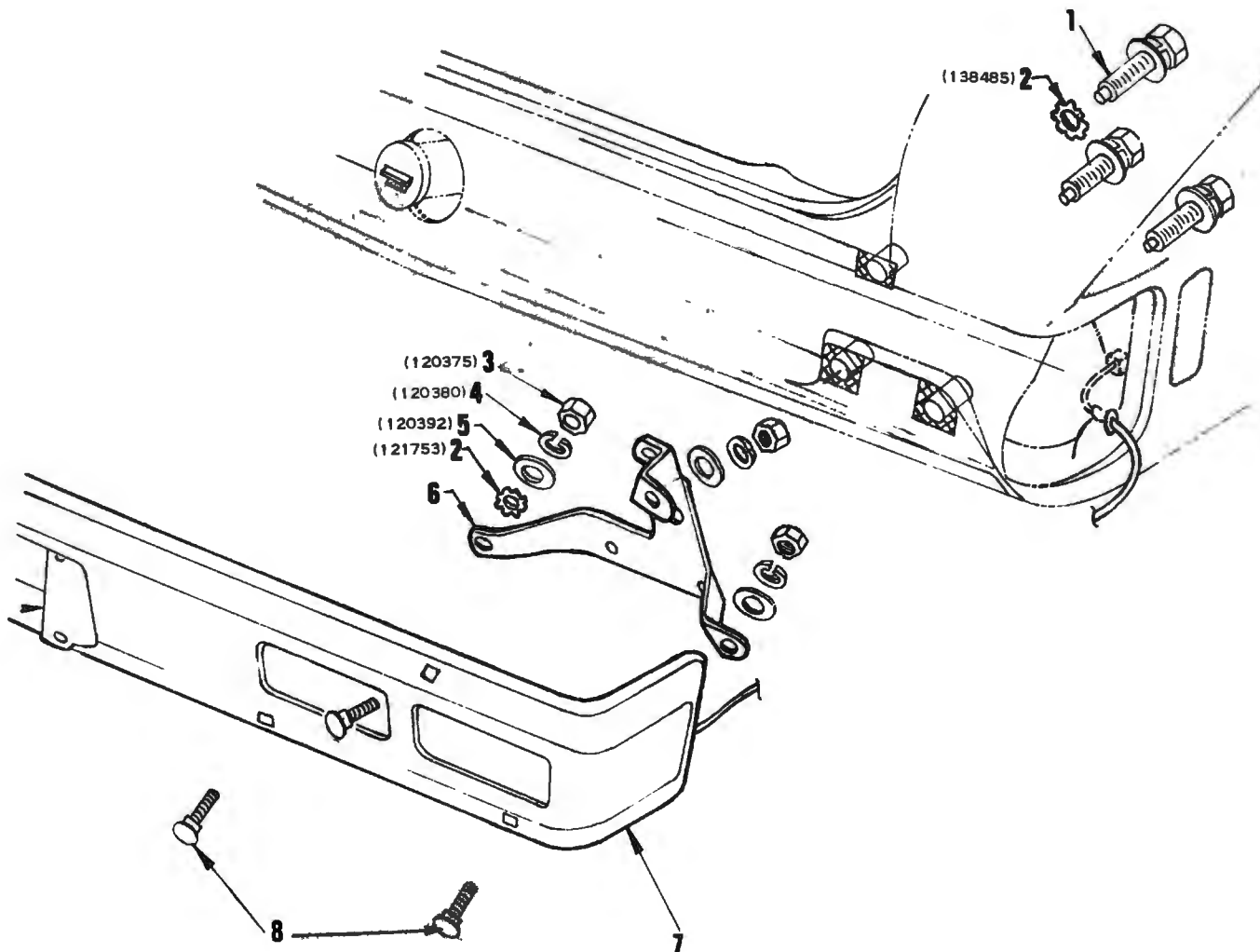
REAR SHOCK ABSORBER MOUNTINGS (Superlift)

| ILLUS. REF. NO. | PART NAME | GROUP | ILLUS. REF. NO. | PART NAME | GROUP |
|-----------------|---|-------|-----------------|--|-------|
| 1. | NUT - Rear shock absorber | 7.370 | 10. | TAG | 7.345 |
| 2. | PLATE - Rear shock absorber to u/body.. | 7.370 | 11. | CORE ASSY. - Air valve | 7.347 |
| 3. | BUSHING - Rear shock abs. to u/body ... | 7.370 | 12. | WASHER - Shake proof | 8.932 |
| 4. | SLEEVE | 8.963 | 13. | NUT - Air valve stem | 7.347 |
| 5. | INSERT - Tube | 7.370 | 14. | CAP - Air valve | 7.347 |
| 6. | NUT | 8.963 | 15. | BOLT - Shock absorber to bracket | 7.370 |
| 7. | TUBE - Interconnection | 7.347 | 16. | WASHER - Flat | 8.929 |
| 8. | TUBE - Inflation | 7.347 | 17. | NUT - Shock absorber to bracket | 7.370 |
| 9. | STEM - Air valve | 7.347 | | | |



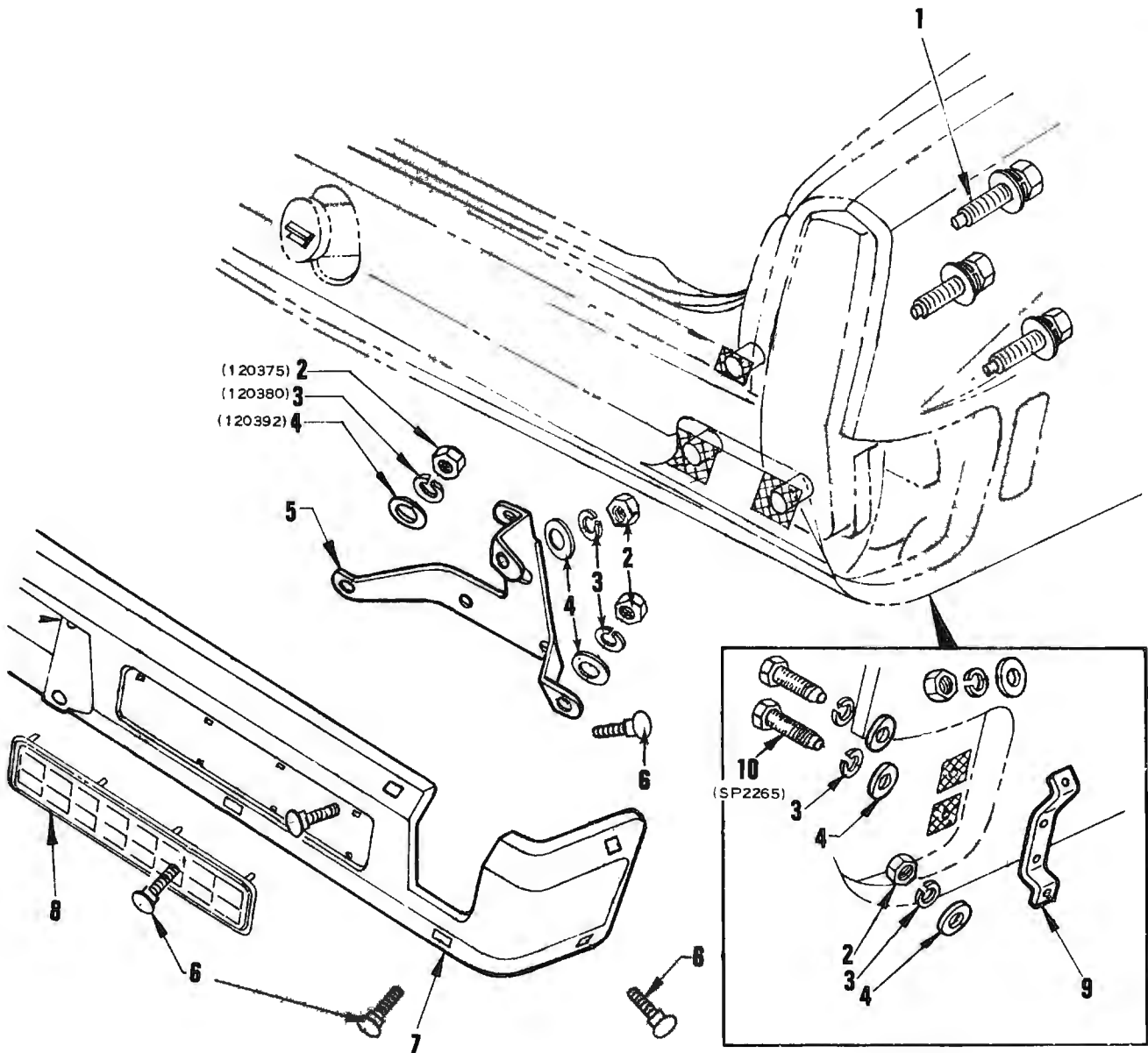
FRONT BUMPER BAR

| ILLUS. REF. NO. | PART NAME | GROUP | ILLUS. REF. NO. | PART NAME | GROUP |
|-----------------|-----------------------------------|-------|-----------------|--|-------|
| 1. | BOLT - Hexagon head | 8.900 | 6. | NUT - Hexagon | 8.915 |
| 2. | WASHER - Lock | 8.931 | 7. | BOLT | 7.852 |
| 3. | WASHER - Plain | 7.836 | 8. | BAR - Bumper face front | 7.831 |
| 4. | BRACKET ASSY. - Front inner | 7.836 | 9. | BRACKET ASSY. - Front outer | 7.836 |
| 5. | WASHER - Flat | 8.929 | 10. | EXTENSION ASSY. - Outer bumper bar mtg. | 7.865 |



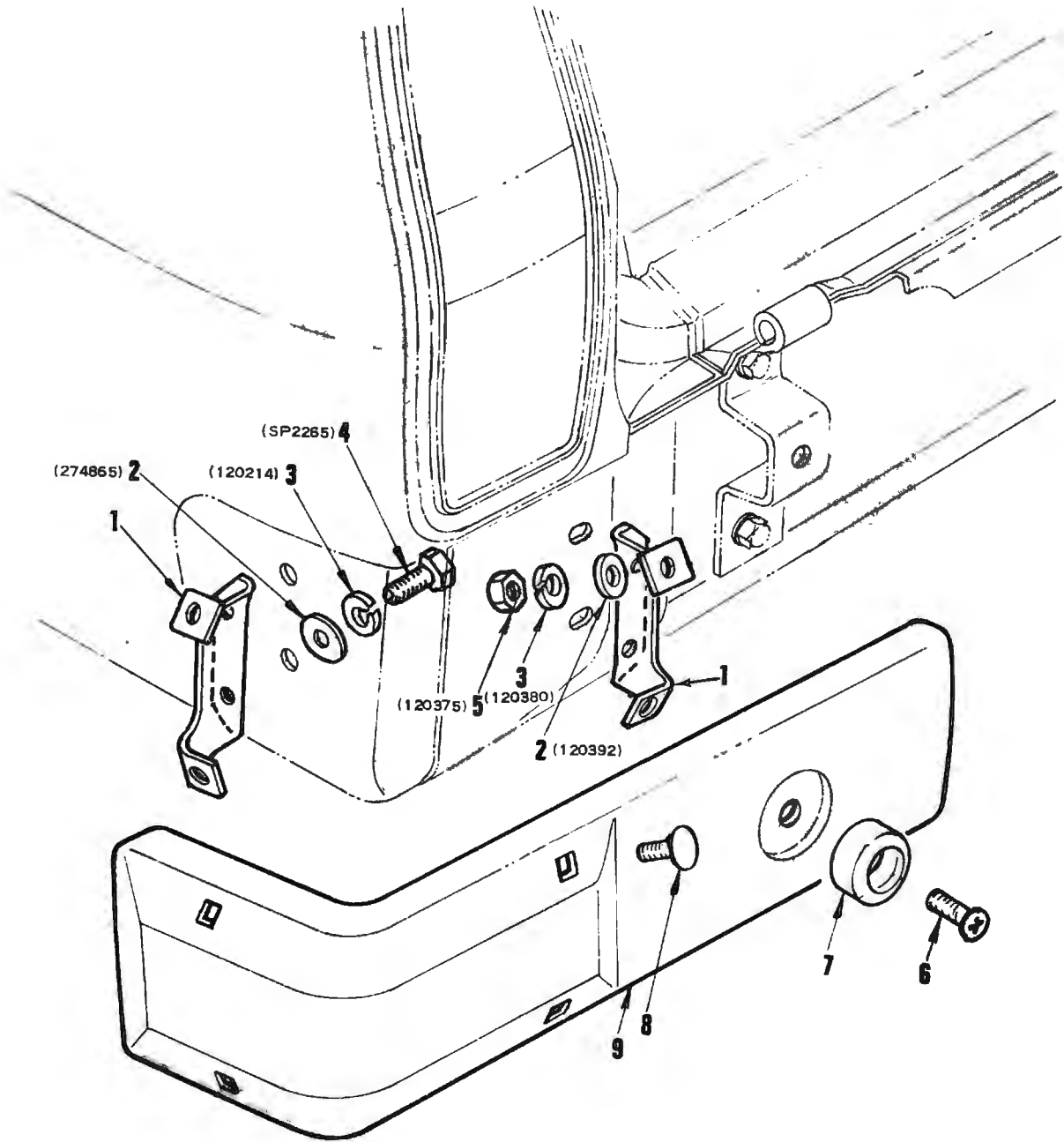
REAR BUMPER BAR (Passenger exc. Statesman)

| ILLUS. REF. NO. | PART NAME | GROUP | ILLUS. REF. NO. | PART NAME | GROUP |
|--------------------|--|-------|--------------------|------------------------------|-------|
| 1. | BOLT - Bumper bar to outer panel | 7.836 | 5. | WASHER - Flat | 8.929 |
| 2. | WASHER - Shakeproof | 8.932 | 6. | BRACKET ASSY. - Rear | 7.836 |
| 3. | NUT - Hexagon | 8.915 | 7. | BAR - Bumper face rear | 7.831 |
| 4. | WASHER - Lock | 8.931 | 8. | BOLT | 7.852 |



REAR BUMPER BAR (Statesman)

| ILLUS. REF. NO. | PART NAME | GROUP | ILLUS. REF. NO. | PART NAME | GROUP |
|-----------------|--|-------|-----------------|---|-------|
| 1. | BOLT - Bumper bar to outer panel | 7.936 | 6. | BOLT | 7.852 |
| 2. | NUT - Hexagon | 8.915 | 7. | BAR - Bumper face rear | 7.831 |
| 3. | WASHER - Lock | 8.931 | 8. | PANEL - Rear bumper bar trim | 7.831 |
| 4. | WASHER - Flat | 8.929 | 9. | BRACKET - Rear bumper bar mtg. outer | 7.836 |
| 5. | BRACKET ASSY. - Rear | 7.836 | 10. | BOLT - 5/16" - 18 x 3/4" (phos. coated) | 8.900 |



REAR BUMPER BAR (Commercial)

| ILLUS. REF. NO. | PART NAME | GROUP | ILLUS. REF. NO. | PART NAME | GROUP |
|-----------------|--------------------------------|-------|-----------------|-------------------------------|--------|
| 1. | SPACER – Rear bumper bar | 7.865 | 6. | BOLT – Pan head | 8.910 |
| 2. | WASHER – Flat | 8.929 | 7. | BUMPER ASSY. – End gate | 12.212 |
| 3. | WASHER – Lock | 8.931 | 8. | BOLT | 7.852 |
| 4. | BOLT – Hexagon head | 8.900 | 9. | BAR – Bumper face rear | 7.831 |
| 5. | NUT – Hexagon | 8.915 | | | |

"HQ" PARTS CATALOGUE

| GROUP | DESCRIPTION | MODEL | SIDE | PART No. | QTY. |
|--------------|---|--------------------|------|--------------|------|
| 7.003 | FRAME ASSEMBLY | | | | |
| | FRAME ASSEMBLY | 35, 37, 69 | | 2810803 | 1 |
| | FRAME ASSEMBLY | 60 | | 2823566 | 1 |
| | FRAME ASSEMBLY | 70, 80 | | 2815248 | 1 |
| | NUT - 3/16" insert. Use when attaching holes stripped | ALL | | SP2343 | A.R. |
| 7.003 | BAR ASSEMBLY - Frame side | | | | |
| | BAR ASSEMBLY - Centre side outer | 35, 37, 69 | LH | 2819259 | 1 |
| | | | RH | 2819260 | 1 |
| | BAR ASSEMBLY - Centre side | 60, 70, 80 | LH | 2819263 | 1 |
| | | | RH | 2819264 | 1 |
| | BAR ASSEMBLY - Rear side | 60 | LH | 2825173 | 1 |
| | | | RH | 2825172 | 1 |
| | BAR ASSEMBLY - Rear side | 70, 80 | LH | 2825167 | 1 |
| | | | RH | 2825168 | 1 |
| 7.012 | MEMBER ASSEMBLY - Frame | | | | |
| | MEMBER ASSY. - Front | 60 | | 2816083 | 1 |
| | MEMBER ASSY. - Front | 70, 80 | | 2825171 | 1 |
| 7.013 | MEMBER, SUPPORT - Frame intermediate, hoist | | | | |
| | MEMBER - Hoist support | 60, 70, 80 | | 2816639 | 1 |
| | MEMBER ASSY. - Intermediate | 60, 70, 80 | | 2825170 | 1 |
| | SUPPORT - Hoist | 60, 70, 80 | | 2814689 | 1 |
| 7.014 | MEMBER - Frame rear | | | | |
| | MEMBER | 60 | | 2812233 | 1 |
| | MEMBER ASSEMBLY | 70, 80 | | 2825169 | 1 |
| 7.016 | PLATE ASSEMBLY - Cab mounting | | | | |
| | PLATE ASSY. | 60 | LH | 2825175 | 1 |
| | | | RH | 2825174 | 1 |
| | SHIM - Mounting plate .03" | 60 | | 2823666 | A.R. |
| | SHIM - Mounting plate .06" | 60 | | 2823665 | A.R. |
| | SHIM - Mounting plate .12" | 60 | | 2823664 | A.R. |
| 7.016 | BRACKET ASSEMBLY - Platform mounting | | | | |
| | BRACKET ASSY. | 60 | | 2823470 | 2 |
| 7.020 | MOUNT ASSEMBLY, SHIM, SUPPORT, SPACER - Body mount | | | | |
| | MOUNT - Body upper | 35, 37, 69 | | 2808857 | 4 |
| | MOUNT - Body lower | 35, 37, 69, 70, 80 | | 2808857 | 10-4 |
| | MOUNT - Body lower front end | ALL | | 2808857 | 2 |
| | MOUNT - Body lower | 60 | | 2819595 | 6 |
| | MOUNT ASSY. - No. 1, No. 2, No. 3 | 35, 37, 69, 70, 80 | | 2808856 | 2 |
| | MOUNT ASSY. - No. 1, No. 2, No. 3 | 60 | | 2819332 | 6 |
| | MOUNT ASSY. - No. 4 | 35, 37, 69, 70, 80 | | 2808856 | 2 |
| | MOUNT ASSY. - No. 5 | 70, 60 | | 2808856 | 2 |
| | MOUNT ASSY. - Front end | ALL | | 2808856 | 2 |
| | INSULATOR - Cab mounting | 60 | | 2819184 | 4 |
| | SHIM - Mounting | ALL | | 2819576 | A.R. |
| | SHIM - Mounting | ALL | | 2819577 | A.R. |
| | SUPPORT - No. 4 Mounting | 60 | LH | 2818029 | 1 |
| | | | RH | 2818028 | 1 |
| | SPACER - Insulator | 60 | | 2819631 | 2 |
| | RETAINER - Insulator | 60 | | 7437068 | 4 |
| | RETAINER - Insulator | 60 | | 7435667 | 4 |
| | REINFORCEMENT - No. 4 Mounting | 35, 37, 69 | | 2809607 | 2 |
| | BODY MOUNTING PACKAGE | 60 | | (28) 2825077 | 1 |
| | BOLT - Body mounting | ALL | | SP2227 | A.R. |
| | WASHER - Body mounting | ALL | | SP1968 | A.R. |

Note: (28) Set of mounts to enable body builder to mount body.

"HQ" PARTS CATALOGUE

| GROUP | DESCRIPTION | MODEL | SIDE | PART No. | QTY. |
|--------------|---|------------------------------------|------|----------|------|
| 7.112 | BRACKET, REINFORCEMENT – Rear Spring Front Hanger | | | | |
| | BRACKET | 60, 70, 80 | | 2812234 | 2 |
| | REINFORCEMENT | 60, 70, 80 | LH | 2820295 | 1 |
| | | | RH | 2820294 | 1 |
| 7.118 | BRACKET – Rear spring rear hanger | | | | |
| | BRACKET ASSY. | 60, 70, 80 | LH | 2812325 | 1 |
| | | | RH | 2820087 | 1 |
| 7.240 | STUD KIT, STUD – Front stabiliser spacer | | | | |
| | STUD KIT | ALL | | 2818345 | 1 |
| | STUD | ALL | | 2810771 | 2 |
| 7.241 | SHAFT – Front stabiliser | | | | |
| | SHAFT | 173, 202 Eng. exc. Statesman | | 2810848 | 1 |
| | SHAFT | 173, 202 Eng. Statesman | | 2815723 | 1 |
| | SHAFT | 253, 308 Eng. exc. SS, G.T.S. | | 2815723 | 1 |
| | SHAFT | 253, 308 Eng. SS, G.T.S. | | 2810440 | 1 |
| | SHAFT | (M) 350 Eng. | | 2822263 | 1 |
| | SHAFT | (A) 350 Eng. | | 2810440 | 1 |
| 7.242 | BRACKET, INSULATOR – Front stabiliser shaft | | | | |
| | BRACKET | ALL | | 2808988 | 2 |
| | INSULATOR | 173, 202 Eng. exc. Statesman | | 2815751 | 2 |
| | INSULATOR | 173, 202 Eng. Statesman | | 2815752 | 2 |
| | INSULATOR | 253, 308 Eng. exc. SS, G.T.S. | | 2815752 | 2 |
| | INSULATOR | 253, 308 Eng. SS, G.T.S. | | 2815753 | 2 |
| | INSULATOR | (M) 350 Eng. | | 2822264 | 2 |
| | INSULATOR | (A) 350 Eng. | | 2815753 | 2 |
| 7.243 | BUSHING, RETAINER – Front stabiliser | | | | |
| | BUSHING | ALL | | 7084112 | 8 |
| | RETAINER | ALL | | 43468 | 8 |
| | NUT – Hex. $\frac{3}{8}$ " – 24 cone lock | ALL | | SP1989 | 4 |
| 7.345 | SHOCK ABSORBER ASSEMBLY | | | | |
| | FRONT – Regular exc. Air Cond. (Branded 2816101) | 173, 202 Eng. 35 | | 2818325 | 2 |
| | FRONT – Regular exc. Air Cond. (Branded 2817851) | 173, 202 Eng. 35 | | 2818326 | 2 |
| | FRONT – Air Cond. (Branded 2817978) | 173, 202 Eng. 35 | | 2818327 | 2 |
| | FRONT – Air Cond. (Branded 2817851) | 173, 202 Eng. 35 | | 2818326 | 2 |
| | FRONT – Regular exc. Air Cond. (Branded 2810850) | 173, 202 Eng. 37, 69 | | 2818324 | 2 |
| | FRONT – Regular exc. Air Cond. (Branded 2817851) | 173, 202 Eng. 37, 69 | | 2818326 | 2 |
| | FRONT – Air cond. (Branded 2816101) | 173, 202 Eng. 37, 69 | | 2818325 | 2 |
| | FRONT – Air cond. (Branded 2817851) | 173, 202 Eng. 37, 69 | | 2818326 | 2 |
| | FRONT – Heavy duty | 173, 202 Eng. 35, 37, 69 | | 2818326 | 2 |
| | FRONT – Regular exc. Air Cond. (Branded 2816101) | 253, 308, 350 Eng. 35, 69 | | 2818325 | 2 |
| | FRONT – Regular exc. Air Cond. (Branded 2819938) | 253, 308, 350 Eng. 35, 69 | | 2819936 | 2 |
| | FRONT – Air Cond. (Branded 2817978) | 253, 308, 350 Eng. 35, 69 | | 2818327 | 2 |
| | FRONT – Air Cond. (Branded 2819938) | 253, 308, 350 Eng. 35, 69 | | 2819936 | 2 |
| | FRONT – Heavy duty | 253, 308, 350 Eng. 35, 69 | | 2819936 | 2 |
| | FRONT – Regular exc. Air Cond. (Branded 2816101) | 437, 1237 | | 2818325 | 2 |
| | FRONT – Regular exc. Air Cond. (Branded 2819938) | 437, 1237 | | 2819936 | 2 |
| | FRONT – Air Cond. (Branded 2817978) | 437, 1237 | | 2818327 | 2 |
| | FRONT – Air Cond. (Branded 2819938) | 437, 1237 | | 2819936 | 2 |

"HQ" PARTS CATALOGUE

| GROUP | DESCRIPTION | MODEL | SIDE | PART No. | QTY. |
|--------------|---|------------------------------------|------|----------|------|
| 7.345 | SHOCK ABSORBER ASSEMBLY (contd.) | | | | |
| | FRONT - Heavy duty | 437, 1237 | | 2819936 | 2 |
| | FRONT | (M) 837, 1837 | | 2819936 | 2 |
| | FRONT - Regular exc. Air Cond. | | | | |
| | (Branded 2818101) | (A) 837, 1837 | | 2818325 | 2 |
| | FRONT - Regular exc. Air Cond. | | | | |
| | (Branded 2819938) | (A) 837, 1837 | | 2819936 | 2 |
| | FRONT - Air Cond. (Branded 2817978) | (A) 837, 1837 | | 2818327 | 2 |
| | FRONT - Air Cond. (Branded 2819938) | (A) 837, 1837 | | 2819936 | 2 |
| | FRONT - Heavy duty | (A) 837, 1837 | | 2819936 | 2 |
| | FRONT | 60, 70, 80 | | 2818326 | 2 |
| | REAR - Regular (Branded 2819940) | 35 | | 2819937 | 2 |
| | REAR - Regular (Branded 2818310) | 35 | | 2818500 | 2 |
| | REAR - Heavy duty | 35 | | 2818500 | 2 |
| | REAR - Regular (Branded 2810849) | 173, 202 Eng. 37 | | 2818328 | 2 |
| | REAR - Regular (Branded 2819940) | 173, 202 Eng. 37 | | 2819937 | 2 |
| | REAR - Heavy duty | 173, 202 Eng. 37 | | 2819937 | 2 |
| | REAR - Regular exc. Air Cond. | | | | |
| | (Branded 2810849) | 173, 202 Eng. 69 exc. Statesman | | 2818328 | 2 |
| | REAR - Regular exc. Air Cond. | | | | |
| | (Branded 2819940) | 173, 202 Eng. 69 exc. Statesman | | 2819937 | 2 |
| | REAR - Air Cond. (Branded 2817852) | 173, 202 Eng. 69 exc. Statesman | | 2818330 | 2 |
| | REAR - Air Cond. (Branded 2818310) | 173, 202 Eng. 69 exc. Statesman | | 2818500 | 2 |
| | REAR - Heavy duty | 169, 369, 1169 | | 2819937 | 2 |
| | REAR - Heavy duty | 1569 | | 2818500 | 2 |
| | REAR - Regular (Branded 2810849) | 437, 1237 | | 2818328 | 2 |
| | REAR - Regular (Branded 2819940) | 437, 1237 | | 2819937 | 2 |
| | REAR - Heavy duty | 437, 1237 | | 2819937 | 2 |
| | REAR | (M) 837, 1837 | | 2818500 | 2 |
| | REAR - Regular (Branded 2810849) | (A) 837, 1837 | | 2818328 | 2 |
| | REAR - Regular (Branded 2819940) | (A) 837, 1837 | | 2819937 | 2 |
| | REAR - Heavy duty | (A) 837, 1837 | | 2819937 | 2 |
| | REAR - Regular exc. Air Cond. | | | | |
| | (Branded 2810849) | 269, 469, 1269 exc. SS, 4 Door GTS | | 2818328 | 2 |
| | REAR - Regular exc. Air Cond. | | | | |
| | (Branded 2819940) | 269, 469, 1269 exc. SS | | 2819937 | 2 |
| | REAR - Air Cond. (Branded 2817852) | 269, 469, 1269 exc. SS, 4 Door GTS | | 2818330 | 2 |
| | REAR - Air Cond. (Branded 2819940) | 269, 469, 1269 exc. SS | | 2819937 | 2 |
| | REAR - Heavy duty | 269, 469, 1269 exc. SS | | 2819937 | 2 |
| | REAR - (Branded 2818310) | SS | | 2818500 | 2 |
| | REAR - Regular exc. Air Cond. | | | | |
| | (Branded 2810849) | Statesman | | 2818328 | 2 |
| | REAR - Regular exc. Air Cond. | | | | |
| | (Branded 2818310) | Statesman | | 2818500 | 2 |
| | REAR - Air Cond. (Branded 2817852) | Statesman | | 2818330 | 2 |
| | REAR - Air Cond. (Branded 2818310) | Statesman | | 2818500 | 2 |
| | REAR - Heavy duty | 1469, 1669 | | 2818500 | 2 |
| | REAR | 60, 70, 80 | | 2818329 | 2 |
| | PACKAGE COMPLETE - Rear, superlift | 35, 37, 69 | | 2824742 | 1 |
| | PACKAGE COMPLETE - Rear, superlift | 60, 70, 80 | | 2824743 | 1 |
| | REAR - Superlift | 35, 37, 69 | LH | 2820687 | 1 |
| | | | RH | 2820688 | 1 |
| | REAR - Superlift | 60, 70, 80 | LH | 2820671 | 1 |
| | | | RH | 2820670 | 1 |
| | TAG - Caution (Use with Superlift shock absorbers) | ALL | | 2825280 | 1 |
| 7.347 | TUBE and COMPONENTS - Superlift shock absorber air | | | | |
| | TUBE - Inflation | 35 | | 2824731 | 1 |
| | TUBE - Inflation | 37, 69 | | 2816961 | 1 |
| | TUBE - Inflation | 60 | | 2816962 | 1 |
| | TUBE - Inflation | 70, 80 | | 7438376 | 1 |
| | TUBE - Interconnection | 35, 37, 69 | | 7438376 | 1 |
| | TUBE - Interconnection | 70, 80 | | 2816975 | 1 |
| | CLIP - Tube to underbody, small | 37, 69, 70, 80 | | 7426387 | 1-2 |

| GROUP | DESCRIPTION | MODEL | SIDE | PART No. | QTY. |
|--------------|--|---|------|----------|------|
| 7.347 | TUBE and COMPONENTS – Superlift shock absorber air (comtd.) | | | | |
| | CLIP – Tube to underbody, 3/8" | 70, 80 | | SP1836 | 1-2 |
| | RETAINER – Tube to underbody, 3/8" | 35, 37, 69 | | SP2166 | 3-2 |
| | INSERT – Tube | ALL | | 7437644 | 4 |
| | GROMMET – .19" diameter | 35, 37, 69 | | SP1676 | 1 |
| | STEM – Air valve | ALL | | 7437583 | 1 |
| | NUT – Air valve stem | ALL | | 7437584 | 1 |
| | CORE ASSEMBLY – Air valve | ALL | | 7437586 | 1 |
| | CAP – Air valve | ALL | | 7437585 | 1 |
| 7.370 | BUSHING, PLATE – Shock absorber mounting | | | | |
| | PIN ASSEMBLY – Front shock absorber mounting | ALL | | 2811316 | 2 |
| | BUSHING – Front shock absorber to member | ALL | | 7437267 | 4 |
| | PLATE – Front shock absorber to member | ALL | | 7437268 | 4 |
| | NUT – Front shock absorber to member (3/8" – 24 hex. cone lock) | ALL | | SP1989 | 2 |
| | BUSHING – Rear shock absorber to bracket | ALL | | 2815193 | 2 |
| | BOLT – Shock absorber to bracket | ALL | | 2816034 | 2 |
| | NUT – Rear shock absorber to bracket | ALL | | SP1891 | 2 |
| | BUSHING – Rear shock absorber to underbody | 35, 37, 69 | | 7437267 | 4 |
| | PLATE – Rear shock absorber to underbody | 35, 37, 69 | | 7437268 | 4 |
| | NUT – Rear shock absorber to underbody | ALL | | SP1891 | 2 |
| | NUT – Rear shock absorber | ALL | | SP1330 | 2 |
| 7.371 | SHIELD, CLAMP – Rear shock absorber (Superlift) | | | | |
| | SHIELD | 70, 80 | | 3861040 | 2 |
| | CLAMP – Shield to shock absorber | 70, 80 | | SP1879 | 2 |
| 7.503 | SPRING ASSEMBLY – Rear | | | | |
| | SPRING ASSEMBLY – Regular (ident. code "RE") | 35 | | 2822647 | 2 |
| | SPRING ASSEMBLY – Regular (ident. code "RF") | 35 | | 2822648 | 2 |
| | SPRING ASSEMBLY – Heavy duty (ident. code "RF") | 35 exc. Superlift shock absorbers | | 2822648 | 2 |
| | SPRING ASSEMBLY – Heavy duty (ident. code "RE") | 35 Superlift shock absorbers | | 2822647 | 2 |
| | SPRING ASSEMBLY – Heavy duty (ident. code "RK") | 35 | | 2825753 | 2 |
| | SPRING ASSEMBLY – Regular (ident. code "RA") | 37, 169, 269, 369, 469, 1169, 1269 | | 2818485 | 2 |
| | SPRING ASSEMBLY – Regular (ident. code "RB") | 37, 169, 269, 369, 469, 1169, 1269 | | 2818486 | 2 |
| | SPRING ASSEMBLY – Heavy duty (ident. code "RB") | 37, 169, 269, 369, 469, 1169 1269 exc. Superlift shock absorbers | | 2818486 | 2 |
| | SPRING ASSEMBLY – Heavy duty (ident. code "RA") | 37, 169, 269, 369, 469, 1169, 1269 Superlift shock absorbers | | 2818485 | 2 |
| | SPRING ASSEMBLY – Heavy duty (ident. code "RH") | 37, 169, 269, 369, 469, 1169, 1269 | | 2825751 | 2 |
| | SPRING ASSEMBLY – Regular (ident. code "RG") | 1469, 1669 | | 2823653 | 2 |
| | SPRING ASSEMBLY – Regular (ident. code "RD") | 1469, 1669 | | 2818488 | 2 |
| | SPRING ASSEMBLY – Heavy duty (ident. code "RD") | 1469, 1669 exc. Superlift shock absorbers | | 2818488 | 2 |
| | SPRING ASSEMBLY – Heavy duty (ident. code "RG") | 1469, 1669 Superlift shock absorbers | | 2823653 | 2 |
| | SPRING ASSEMBLY – Heavy duty (ident. code "RJ") | 1469, 1669 | | 2825752 | 2 |
| | SPRING ASSEMBLY – Regular (ident. code "RB") | 1569 | | 2818486 | 2 |
| | SPRING ASSEMBLY – Regular (ident. code "RD") | 1569 | | 2818488 | 2 |
| | SPRING ASSEMBLY – Heavy duty (ident. code "RG") | 1569 exc. Superlift shock absorbers | | 2823653 | 2 |
| | SPRING ASSEMBLY – Heavy duty (ident. code "RB") | 1569 Superlift shock absorbers | | 2818486 | 2 |
| | SPRING ASSEMBLY – Heavy duty (ident. code "RJ") | 1569 | | 2825752 | 2 |

"HQ" PARTS CATALOGUE

| GROUP | DESCRIPTION | MODEL | SIDE | PART No. | QTY. |
|--------------|--|------------------|------|-------------------------|------|
| 7.503 | SPRING ASSEMBLY – Rear (contd.) | | | | |
| | SPRING ASSEMBLY – 7 Leaf | 60 | LH | 2820421 | 1 |
| | | | RH | 2820420 | 1 |
| | SPRING ASSEMBLY – 6 Leaf | 60 | LH | 2824741 | 1 |
| | | | RH | 2824740 | 1 |
| | SPRING ASSEMBLY | 70, 80 | LH | 2822919 | 1 |
| | | | RH | 2822918 | 1 |
| | BRACKET & BOLT ASSEMBLY – Rear spring | 60, 70, 80 | | M37195 | 2 |
| 7.505 | LEAF – Rear spring | | | | |
| | LEAF – No. 1 | 60 | | (²⁴ VS12274 | 1 |
| | LEAF – No. 2 | 60 | | (²⁴ VS12275 | 1 |
| | LEAF – No. 3 | 60 | | (²⁴ VS12276 | 1 |
| | LEAF – No. 4 | 60 | | (²⁴ VS12277 | 1 |
| | LEAF – No. 5 | 60 | | (²⁴ VS12278 | 1 |
| | LEAF – No. 6 | 60 | | (²⁴ VS12279 | 1 |
| | LEAF – No. 1 | 60 | | (²⁵ VS12284 | 1 |
| | LEAF – No. 2 | 60 | | (¹⁵ VS12285 | 1 |
| | LEAF – No. 3 | 60 | | (²⁵ VS12286 | 1 |
| | LEAF – No. 4 | 60 | | (²⁵ VS12287 | 1 |
| | LEAF – No. 5 | 60 | | (²⁵ VS12288 | 1 |
| | LEAF – No. 6 | 60 | | (²⁵ VS12289 | 1 |
| | LEAF – No. 1 | 70, 80 | | (²⁶ VS12280 | 1 |
| | LEAF – No. 2 | 70, 80 | | (²⁶ VS12281 | 1 |
| | LEAF – No. 3 | 70, 80 | | (²⁶ VS12282 | 1 |
| | LEAF – No. 4 | 70, 80 | | (²⁶ VS12283 | 1 |
| | LEAF – No. 1 | 70, 80 | | (²⁷ VS12290 | 1 |
| | LEAF – No. 2 | 70, 80 | | (²⁷ VS12291 | 1 |
| | LEAF – No. 3 | 70, 80 | | (²⁷ VS12292 | 1 |
| | LEAF – No. 4 | 70, 80 | | (²⁷ VS12293 | 1 |
| 7.505 | BOLT ASSEMBLY – Rear spring | | | | |
| | BOLT ASSEMBLY | 60 | | 9930368 | 2 |
| | BOLT ASSEMBLY | 70, 80 | | 9930366 | 2 |
| 7.516 | 'U' BOLT – Rear Spring | | | | |
| | 'U' BOLT | 60 | | 2820512 | 4 |
| | 'U' BOLT | 70, 80 | | 2814348 | 4 |
| 7.518 | PLATE – Rear spring and shock absorber mounting | | | | |
| | PLATE | 60, 70, 80 | LH | 2824769 | 1 |
| | | | RH | 2824768 | 1 |
| | REINFORCEMENT – Mounting plate | 60, 70, 80 | | 2824706 | 2 |
| 7.523 | SHACKLE SET – Rear spring | | | | |
| | SHACKLE SET | 60, 70, 80 | | 2820903 | 2 |
| 7.524 | BUSHING – Rear spring | | | | |
| | BUSHING – Front | 60, 70, 80 | | 2814356 | 2 |
| | BUSHING – Rear | 60 | | 2823360 | 8 |
| | BUSHING – Rear | 70, 80 | | 2814355 | 8 |
| 7.529 | STUD KIT, STUD – Rear spring mounting | | | | |
| | STUD KIT | 60, 70, 80 | | 2820904 | 2 |
| | STUD | 60 | | 2825248 | 2 |
| | STUD | 70, 80 | | 2814357 | 2 |

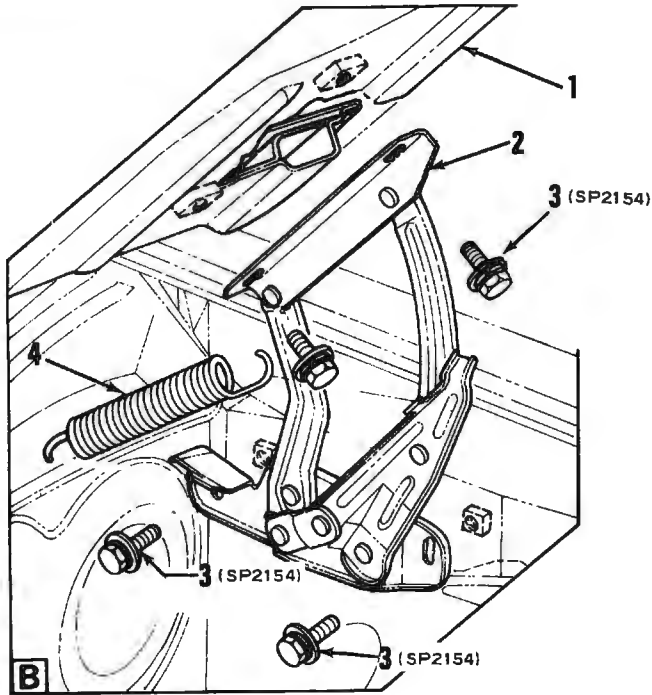
Note: (¹⁵ Amber front turn signal lamp.
(²⁴ Suit rear spring assembly 2824740.
(²⁵ Suit rear spring assembly 2824741.
(²⁶ Suit rear spring assembly 2822918.
(²⁷ Suit rear spring assembly 2822919.

"HQ" PARTS CATALOGUE

| GROUP | DESCRIPTION | MODEL | SIDE | PART No. | QTY. |
|--------------|---|-------------------------------|------|----------|------|
| 7.535 | BUMPER – Rear Axle | | | | |
| | BUMPER | 35, 37, 69 | | 2825634 | 2 |
| | BUMPER | 60, 70, 80 | | 2820426 | 2 |
| | BOLT – Hex. hd. $\frac{5}{16}$ " – 18 x $\frac{5}{8}$ " tap | ALL | | SP2240 | 4 |
| 7.536 | MOUNTING ASSEMBLY – Rear axle bumper | | | | |
| | MOUNTING ASSEMBLY | 35, 37, 69 | | 2810214 | 2 |
| 7.545 | INSULATOR – Rear spring | | | | |
| | INSULATOR | 35, 37, 69 | | 2809189 | 2 |
| 7.630 | GROMMET – Spare wheel hoist handle | | | | |
| | GROMMET | 70, 80 | | 2817174 | 1 |
| 7.632 | BOLT, SPACER – Spare wheel | | | | |
| | BOLT – Rd. hd. sq. neck $\frac{5}{16}$ " – 18 x 7.00" (Cad or Zinc) | 35 | | SP2005 | 1 |
| | BOLT – Rd. hd. sq. neck $\frac{5}{16}$ " – 18 x 8.50" (Cad or Zinc) | 37, 69 exc. Rally Wheel | | SP2291 | 1 |
| | BOLT – Rd. hd. sq. neck $\frac{5}{16}$ " – 18 x 11.00" (Cad or Zinc) | 37, 69 Rally Wheel | | SP2327 | 1 |
| | SPACER – Spare wheel | 37, 69 Rally Wheel | | 2823374 | 1 |
| | RETAINER – Mounting bolt | 35 | | 7430790 | 1 |
| | RETAINER – Mounting bolt | 37, 69 | | 2822340 | 1 |
| 7.633 | NUT – Spare wheel | | | | |
| | NUT – Clamp | 35 Rally Wheel | | 7430789 | 1 |
| | NUT – Wing | 35 exc. Rally Wheel | | 2815244 | 1 |
| | NUT – Wing | 37, 69 | | 2815244 | 1 |
| 7.640 | HOIST ASSEMBLY – Spare wheel | | | | |
| | HOIST ASSEMBLY | 60, 70, 80 | | 2819802 | 1 |
| | CABLE ASSEMBLY – Hoist | 60, 70, 80 | | VS12217 | 1 |
| 7.796 | BUMPER – Front license plate mounting | | | | |
| | BUMPER | 35, 37, 69 | | 7409209 | 2 |
| 7.799 | FRAME – License plate | | | | |
| | FRAME | 1469 | | 7385696 | 2 |
| 7.831 | BAR – Bumper face | | | | |
| | BAR – Front | Exc. Chassis & Cab | | 2811461 | 1 |
| | BAR – Front | Chassis & Cab | | 2823473 | 1 |
| | BAR – Rear | 35 | | 2811518 | 1 |
| | BAR – Rear | 37, 69 exc. Statesman | | 2811519 | 1 |
| | BAR – Rear | Statesman exc. De Ville | | 2811522 | 1 |
| | BAR – Rear | De Ville | | 2811521 | 1 |
| | PANEL – Trim | De Ville | | 2816013 | 2 |
| | BAR – Rear, end | 70, 80 | | 2816983 | 2 |
| 7.833 | SEAL – Body to rear bumper | | | | |
| | SEAL | Statesman | | 2814732 | 2 |
| 7.836 | BRACKET – Bumper mounting | | | | |
| | BRACKET ASSEMBLY – Front inner | Exc. Chassis & Cab | LH | 2812041 | 1 |
| | | | RH | 2812040 | 1 |
| | BRACKET ASSEMBLY – Front outer | Exc. Chassis & Cab | LH | 2813599 | 1 |
| | | | RH | 2813598 | 1 |
| | BRACKET – Front inner | Chassis & Cab | LH | 2823549 | 1 |
| | | | RH | 2823548 | 1 |

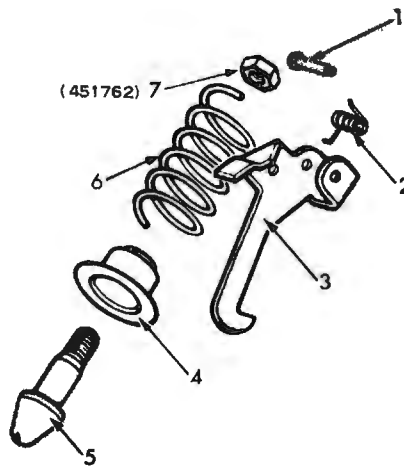
"HQ" PARTS CATALOGUE

| GROUP | DESCRIPTION | MODEL | SIDE | PART No. | QTY. |
|--------------|--|--------------------------|------|----------|------|
| 7.836 | BRACKET – Bumper mounting (contd.) | | | | |
| | BRACKET - Front outer | Chassis & Cab | LH | 2823547 | 1 |
| | | | RH | 2823546 | 1 |
| | WASHER - Plain .53" x 1.25" x .109" | ALL | | SP1899 | 4-2 |
| | BRACKET ASSEMBLY - Rear | 35 | LH | 2814169 | 1 |
| | | | RH | 2814168 | 1 |
| | BRACKET ASSEMBLY - Rear | 37, 69 | LH | 2812009 | 1 |
| | | | RH | 2812010 | 1 |
| | BRACKET - Rear | Statesman | | 2820046 | 2 |
| | BOLT - Bumper bar to outer panel | 35, 37, 69 | | SP2108 | 6-4 |
| | SCREW - Hex. hd. tap. bumper bar to outer panel | 35 | | SP2241 | 2 |
| | WASHER - Plain 53" x 1.25" x .109" (Cad or Zinc) | ALL | | SP1899 | 4-2 |
| 7.852 | BOLT – Bumper bar face | | | | |
| | BOLT | Exc. Chassis & Cab | | 7423203 | A.R. |
| | BOLT - Front bumper | Chassis & Cab | | SP2333 | 10 |
| 7.865 | SPACER, EXTENSION ASSEMBLY – Bumper bar | | | | |
| | SPACER - Rear | 35, 37, 69 | | 2810329 | 2 |
| | SPACER - Rear | 70, 80 | | 2816919 | 4 |
| | EXTENSION ASSEMBLY - Front | Exc. Chassis & Cab | LH | 2819291 | 1 |
| | | | RH | 2819290 | 1 |



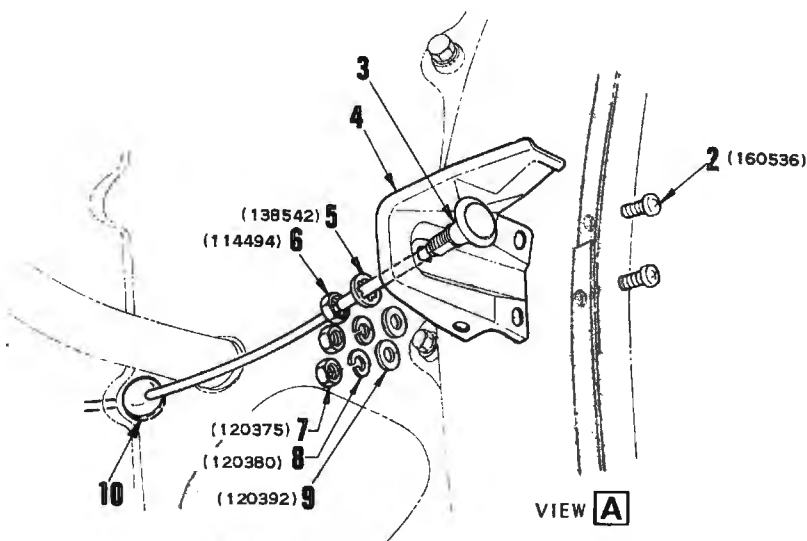
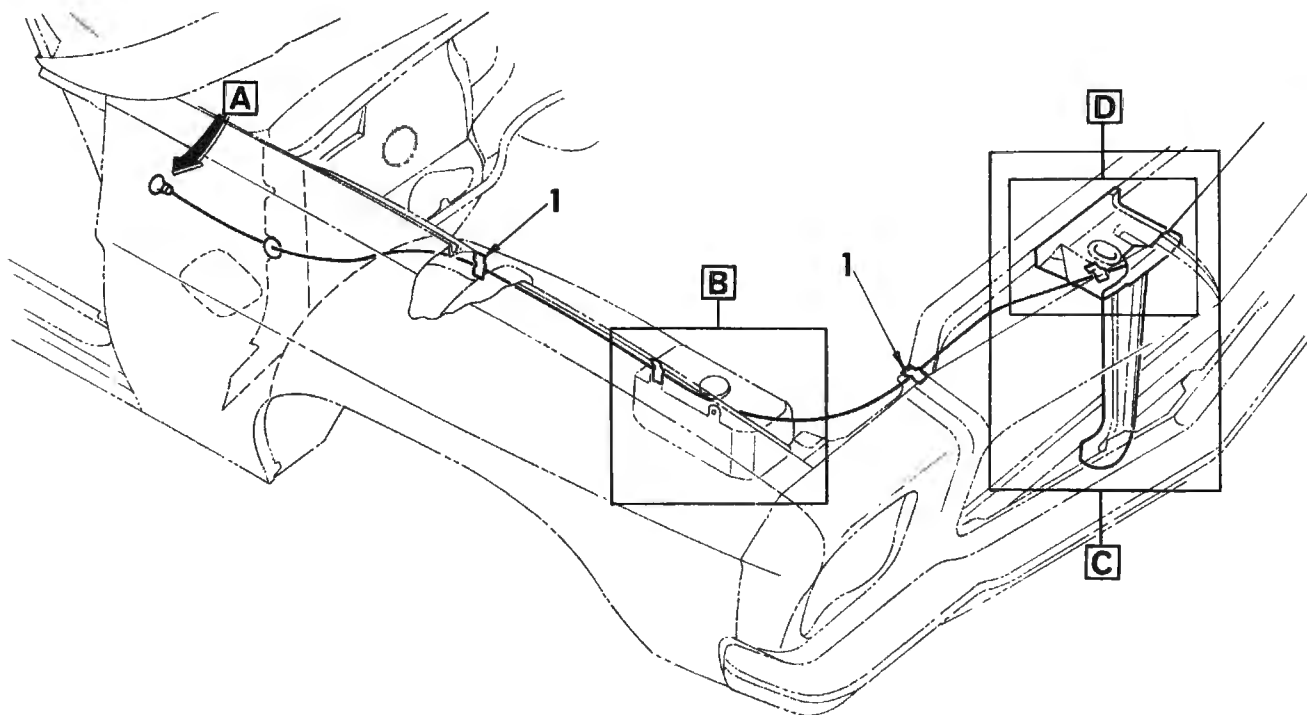
HINGE ASSEMBLY

| ILLUS. REF. NO. | PART NAME | GROUP | ILLUS. REF. NO. | PART NAME | GROUP |
|-----------------|--------------------------|-------|-----------------|---------------------------|-------|
| 1. | PANEL ASSY. - Hood | 8.000 | 3. | BOLT - Hexagon head | 8.900 |
| 2. | HINGE ASSY. - Hood | 8.015 | 4. | SPRING - Hood hinge | 8.013 |



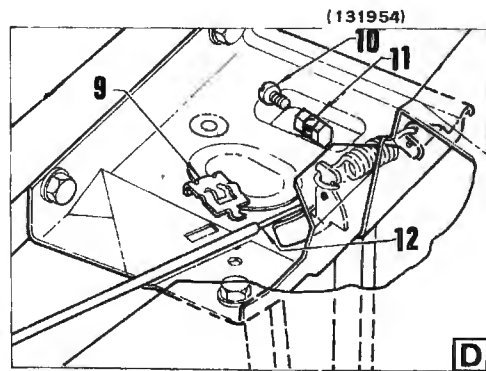
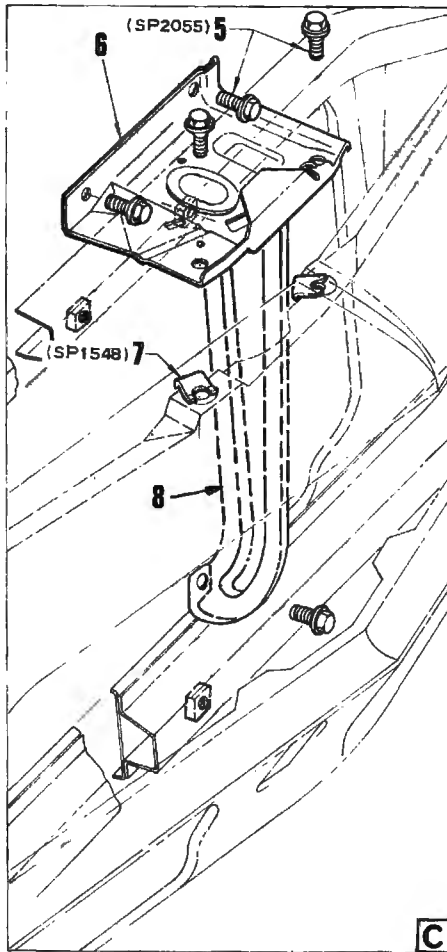
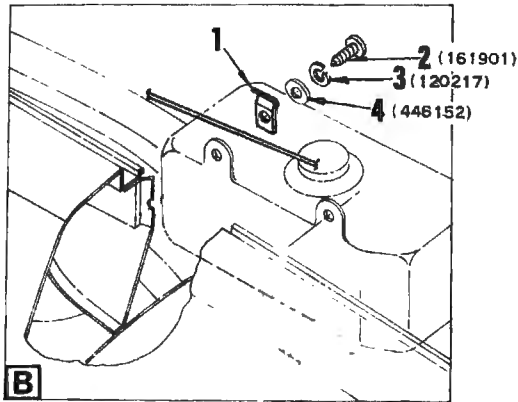
HOOD LOCK PLUNGER

| ILLUS. REF. NO. | PART NAME | GROUP | ILLUS. REF. NO. | PART NAME | GROUP |
|-----------------|------------------------------------|-------|-----------------|---------------------------|-------|
| 1. | PIN - Safety catch | 8.036 | 5. | PLUNGER - Hood lock | 8.085 |
| 2. | SPRING - Safety catch | 8.036 | 6. | SPRING - Hood catch | 8.085 |
| 3. | CATCH - Hood safety | 8.036 | 7. | NUT - Hexagon jam | 8.916 |
| 4. | RETAINER - Hood catch spring | 8.085 | | | |



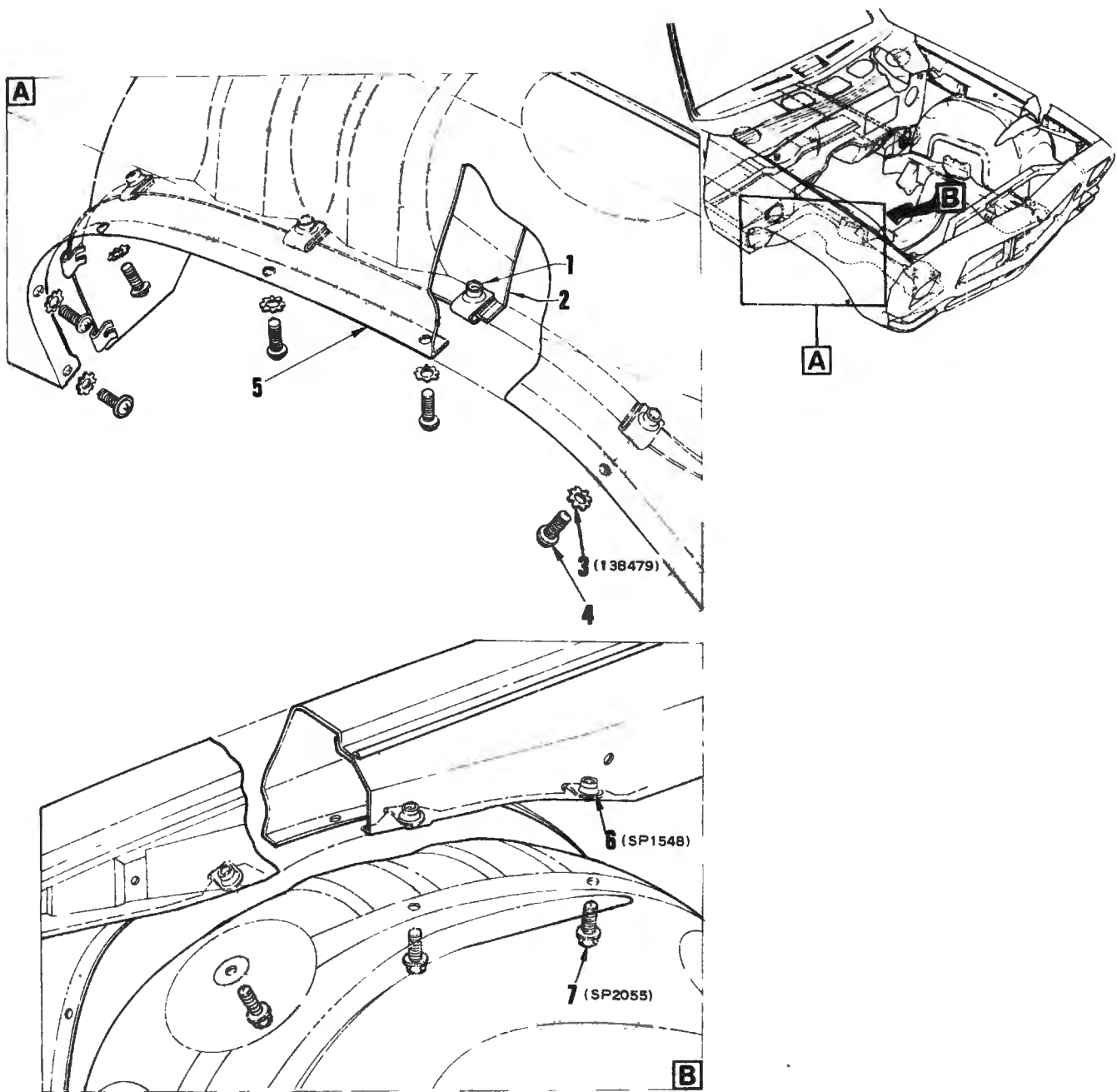
HOOD LOCK

| ILLUS. REF. NO. | PART NAME | GROUP | ILLUS. REF. NO. | PART NAME | GROUP |
|-----------------|---------------------------------------|-------|-----------------|-------------------------|-------|
| 1. | CLIP - Speed | 8.075 | 6. | NUT - Hexagon jam | 8,916 |
| 2. | BOLT - Pan head | 8.910 | 7. | NUT - Hexagon | 8.915 |
| 3. | ROD ASSY. | 8.075 | 8. | WASHER - Lock | 8.931 |
| 4. | BRACKET - Hood lock control rod | 8.077 | 9. | WASHER - Flat | 8.929 |
| 5. | WASHER - Shakeproof | 8.932 | 10. | GROMMET | 8.076 |



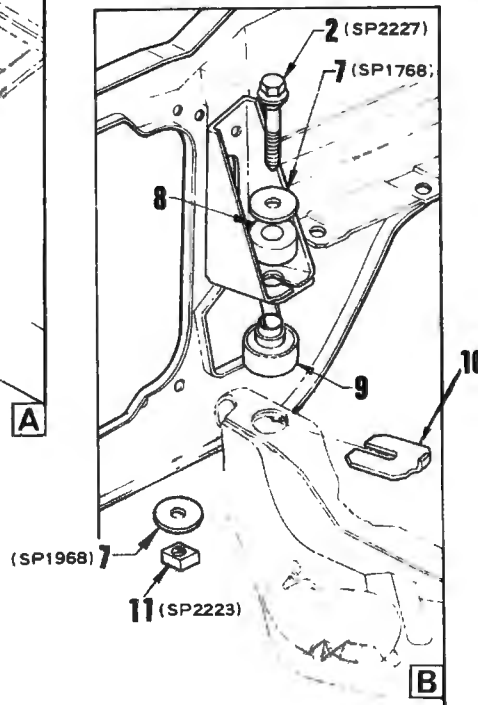
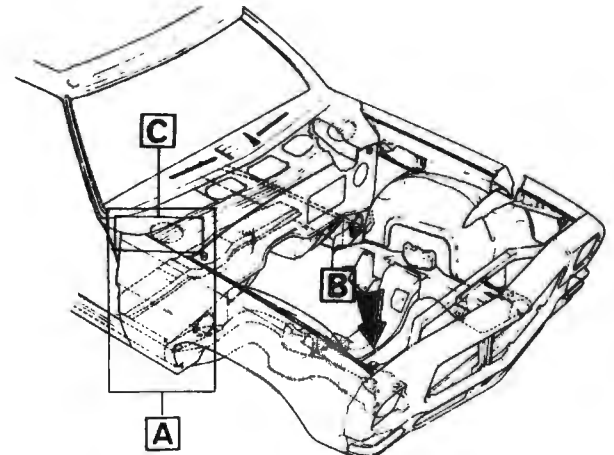
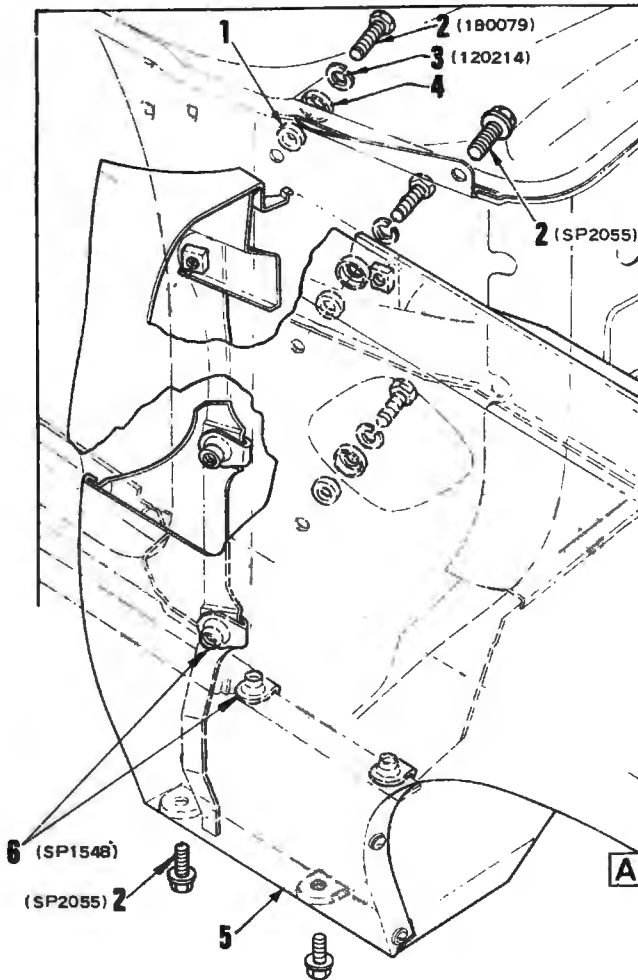
HOOD LOCK

| ILLUS. REF. NO. | PART NAME | GROUP | ILLUS. REF. NO. | PART NAME | GROUP |
|-----------------|--|-------|-----------------|----------------------------|-------|
| 1. | RETAINER - Hood lock control rod | 8.077 | 7. | NUT - Stamped | 8.921 |
| 2. | SCREW - Sheet metal | 8.977 | 8. | SUPPORT - Lock | 8.079 |
| 3. | WASHER - Lock | 8.931 | 9. | CLIP - Speed | 8.075 |
| 4. | WASHER - Flat | 8.929 | 10. | BOLT - Filister head | 8.907 |
| 5. | BOLT - Hexagon head | 8.900 | 11. | ANCHOR | 8.077 |
| 6. | LOCK ASSY. | 8.079 | 12. | ROD ASSY. | 8.075 |



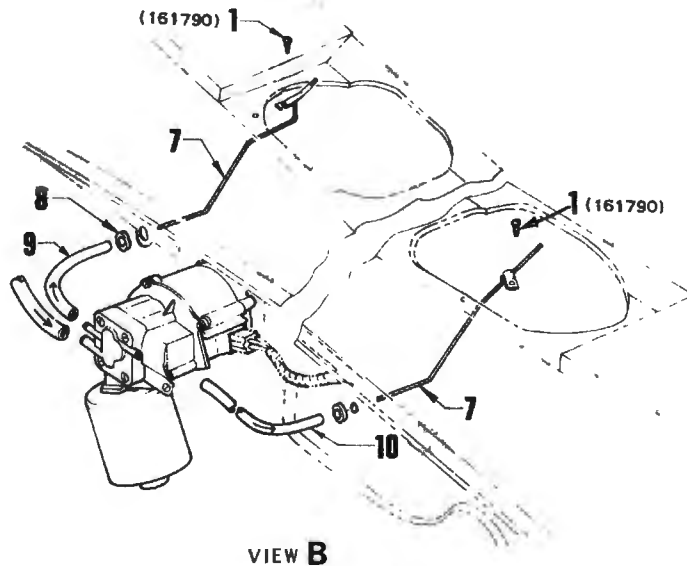
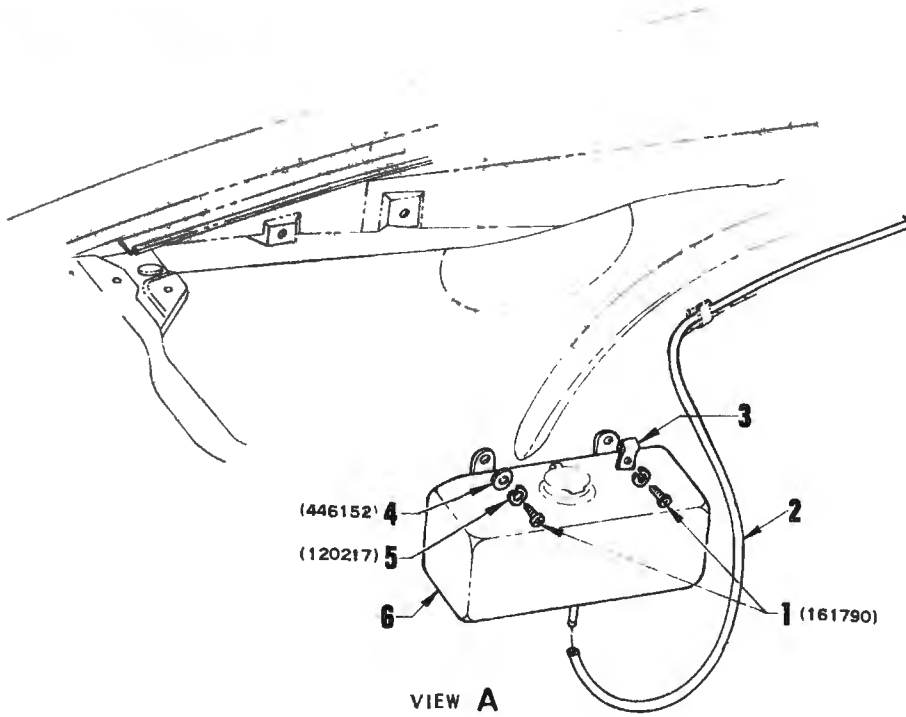
FRONT FENDER

| ILLUS. REF. NO. | PART NAME | GROUP | ILLUS. REF. NO. | PART NAME | GROUP |
|-----------------|-------------------------------|-------|-----------------|--------------------------|-------|
| 1. | NUT – Fender to skirt | 8.143 | 5. | FENDER ASSY. | 8.130 |
| 2. | SKIRT ASSY. | 8.153 | 6. | NUT – Stamped | 8.921 |
| 3. | WASHER – Shakeproof | 8.932 | 7. | NUT – Hexagon head | 8.900 |
| 4. | SCREW – Fender to skirt | 8.143 | | | |



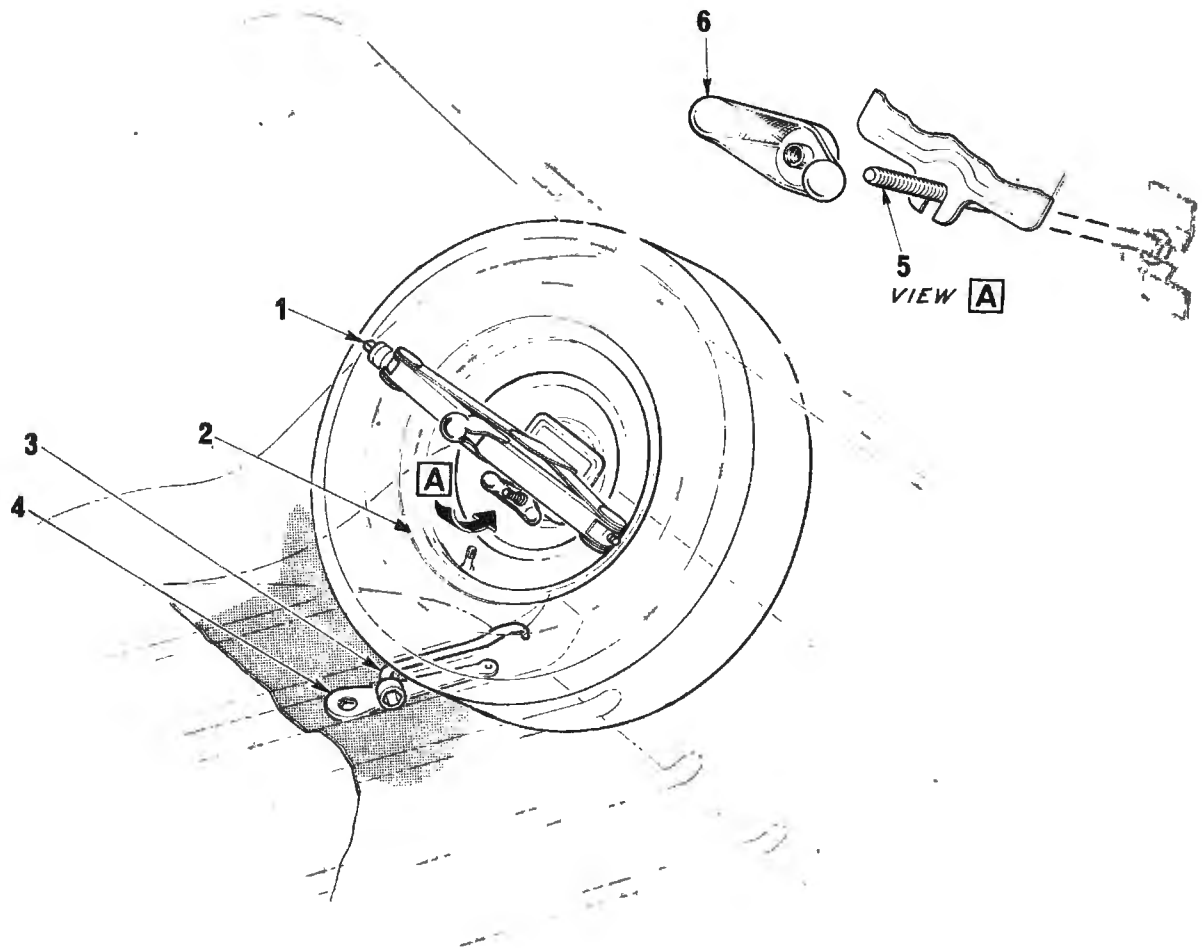
FRONT FENDER

| ILLUS. REF. NO. | PART NAME | GROUP | ILLUS. REF. NO. | PART NAME | GROUP |
|-----------------|--|-------|-----------------|----------------------------|-------|
| 1. | WASHER - To front pillar, rubber | 8.143 | 7. | WASHER - Flat | 8.929 |
| 2. | BOLT - Hexagon head | 8.900 | 8. | MOUNT - Body | 7.020 |
| 3. | WASHER - Lock | 8.931 | 9. | MOUNT ASSY. - Body | 7.020 |
| 4. | WASHER - To front pillar, cup | 8.143 | 10. | SHIM - Body mounting | 7.020 |
| 5. | FENDER ASSY. - Front | 8.130 | 11. | NUT - Square | 8.923 |
| 6. | NUT - Stamped | 8.921 | | | |



VIEW B
WINDSHIELD WASHER

| ILLUS. REF. NO. | PART NAME | GROUP | ILLUS. REF. NO. | PART NAME | GROUP |
|-----------------|--|-------|-----------------|--|-------|
| 1. | SCREW - Sheet metal | 8.977 | 6. | RESERVOIR ASSY. | 8.798 |
| 2. | HOSE - Pump to reservoir | 8.798 | 7. | NOZZLE ASSY. | 8.798 |
| 3. | RETAINER - Hood lock control rod | 8.077 | 8. | GROMMET - Nozzle to shroud panel | 8.798 |
| 4. | WASHER - Flat | 8.929 | 9. | HOSE - Pump to RH nozzle | 8.798 |
| 5. | WASHER - Lock | 8.931 | 10. | HOSE - Pump to LH nozzle | 8.798 |



JACK AND SPARE WHEEL

| ILLUS. REF. NO. | PART NAME | GROUP |
|--------------------|-------------------------------|-------|
| 1. | JACK ASSEMBLY | 8.820 |
| 2. | WHEEL ASSEMBLY - Road | 5.803 |
| 3. | WRENCH - Wheel nut | 8.821 |
| 4. | HANDLE - Jack | 8.820 |
| 5. | BOLT - Spare wheel | 7.632 |
| 6. | NUT - Spare wheel clamp | 7.633 |

"HQ" PARTS CATALOGUE

| GROUP | DESCRIPTION | MODEL | SIDE | PART No. | QTY. |
|--------------|--|--------------------|------|----------|------|
| 8.000 | PANEL ASSEMBLY – Hood | | | | |
| | PANEL ASSEMBLY | ALL | | 2818416 | 1 |
| 8.009 | SILENCER – Hood Panel | | | | |
| | SILENCER | Exc. 350 Eng. | | 2812211 | 1 |
| | SILENCER | 350 Eng. | | 2820896 | 1 |
| | RETAINER – Silencer to panel | Exc. 350 Eng. | | 3934260 | 16 |
| | RETAINER – Silencer to panel | 350 Eng. | | 3934260 | 15 |
| 8.013 | SPRING – Hood hinge | | | | |
| | SPRING | ALL | | 2822668 | 2 |
| 8.015 | HINGE ASSEMBLY – Hood | | | | |
| | HINGE ASSEMBLY | ALL | LH | 2811919 | 1 |
| | | | RH | 2811918 | 1 |
| 8.024 | BUMPER – Hood | | | | |
| | BUMPER – Hood | ALL | | 7424840 | 4 |
| | BUMPER – Hood to radiator support panel | ALL | | 7424249 | 2 |
| | BOLT – Bumper to radiator support panel | ALL | | 7424068 | 2 |
| 8.036 | CATCH, SPRING – Hood safety | | | | |
| | CATCH | ALL | | 2811857 | 1 |
| | PIN – Hood safety catch | ALL | | 2811603 | 1 |
| | SPRING – Safety catch | ALL | | 2811604 | 1 |
| 8.055 | ORNAMENT – Hood | | | | |
| | ORNAMENT PACKAGE | ALL | | 2822499 | 1 |
| 8.056 | TRANSFER – Hood striping | | | | |
| | TRANSFER | SS | LH | 9928857 | 1 |
| | | | RH | 9928858 | 1 |
| 8.075 | ROD – Hood lock control | | | | |
| | ROD ASSEMBLY | ALL | | 2814367 | 1 |
| | CLIP – Speed | ALL | | SP1446 | 3 |
| 8.076 | GROMMET – Hood lock control | | | | |
| | GROMMET | ALL | | 7433020 | 1 |
| 8.077 | BRACKET, ANCHOR – Hood lock control rod | | | | |
| | BRACKET | ALL | | 2814672 | 1 |
| | ANCHOR | ALL | | 7400144 | 1 |
| | CLIP | ALL | | SP1836 | 1 |
| | RETAINER | ALL | | 7437569 | 1 |
| 8.079 | LOCK ASSEMBLY – Hood | | | | |
| | LOCK ASSEMBLY | ALL | | 2812671 | 1 |
| | SUPPORT – Lock | ALL | | 2813838 | 1 |
| | NUT – $\frac{3}{16}$ " – 18 'J' type | ALL | | SP1548 | 2 |
| 8.081 | SPRING – Hood catch lock plate | | | | |
| | SPRING | ALL | | 2811920 | 1 |
| 8.085 | SPRING, RETAINER – Hood catch | | | | |
| | SPRING – Hood catch | ALL | | 7424228 | 1 |
| | RETAINER – Hood catch spring | ALL | | 7432749 | 1 |

"HQ" PARTS CATALOGUE

| GROUP | DESCRIPTION | MODEL | SIDE | PART No. | QTY. |
|--------------|--|--------------------------------|------|----------|------|
| 8.085 | BRACKET, PLUNGER – Hood lock | | | | |
| | BRACKET – Hood lock | ALL | | 2812091 | 1 |
| | PLUNGER – Hood lock | ALL | | 7415559 | 1 |
| 8.112 | SPLASH PAN PACKAGE | | | | |
| | PACKAGE | ALL | | 9928311 | 1 |
| 8.130 | FENDER ASSEMBLY – Front | | | | |
| | FENDER ASSEMBLY | Exc. SS, G.T.S. | LH | 2822913 | 1 |
| | | | RH | 2822914 | 1 |
| | FENDER ASSEMBLY | SS, G.T.S. | LH | 2818635 | 1 |
| | | | RH | 2818634 | 1 |
| 8.132 | MOULDING, NAME PLATE, EMBLEM – Front fender | | | | |
| | MOULDING – Wheel opening | ALL | LH | 2815133 | 1 |
| | | | RH | 2815132 | 1 |
| | SCREW – Moulding to fender tap. No. 8 – 18 x .437" (Sealed) | ALL | | SP2127 | 2 |
| | BODY SIDE MOULDING PACKAGE | 35 | | 2823153 | 1 |
| | BODY SIDE MOULDING PACKAGE | 37 | | 2823154 | 1 |
| | BODY SIDE MOULDING PACKAGE | 169, 269, 369, 469, 1169, 1269 | | 2823152 | 1 |
| | BODY SIDE MOULDING PACKAGE | 1469, 1569, 1669 | | 2823151 | 1 |
| | MOULDING ASSEMBLY – Front fender | 35, 37, 69 | LH | 2822313 | 1 |
| | | | RH | 2822314 | 1 |
| | RETAINER ASSEMBLY | 35, 37, 69 | | 2822545 | 2 |
| | NUT | 35, 37, 69 | | 272733 | 2 |
| | CLIP – Moulding to fender | 35, 37, 69 | | 2822276 | 7 |
| | SCREW – Moulding to fenders | 35, 37, 69 | | SP2248 | 7 |
| | PLATE – 'Belmont' name | Belmont exc. SS | | 2814784 | 2 |
| | TRANSFER – SS name | SS | | 9926856 | 2 |
| | TRANSFER – Fender striping | SS | LH | 9929295 | 1 |
| | | | RH | 9929296 | 1 |
| | PLATE – 'Kingswood' name | Kingswood | | 2814535 | 2 |
| | PLATE – 'Monaro' name (Black) | Monaro exc. G.T.S., L.S. | | 2814805 | 2 |
| | PLATE – 'Monaro' name (Red) | Monaro exc. G.T.S., LS | | 9930243 | 2 |
| | PLATE – 'G.T.S.' name | G.T.S. | | 2816559 | 2 |
| | PLATE – 'Monaro L.S.' name | L.S. | | 2817707 | 2 |
| | PLATE – 'Premier' name | Premier | | 2814573 | 2 |
| | PLATE – 'Statesman' name | Statesman | | 2810210 | 2 |
| | PLATE – 'De Ville' name | De Ville | | 2817117 | 2 |
| | TRANSFER – 350 Engine | 350 Eng. | | 2818748 | 2 |
| | NUT – Name plate | Exc. SS, G.T.S. | | 9415250 | A.R. |
| | CLIP – Name plate (Tubular 1/8") | G.T.S. exc. 350 Eng. | | SP1606 | 6 |
| | CLIP – Name plate (Tubular 1/8") | L.S. | | SP1606 | 4 |
| 8.143 | FRONT FENDER ATTACHING PARTS | | | | |
| | BOLT & WASHER ASSY. – Hex. hd. 5/16" – 18 x 1/16" | ALL | | SP2055 | A.R. |
| | NUT – 5/16" – 18 'J' type | ALL | | SP1548 | A.R. |
| | SCREW – Fender to skirt – Washer hd. No. 10 – 24 x .62" | ALL | | SP2058 | 12 |
| | NUT – Fender to skirt – No. 10 – 24 'J' type | ALL | | SP2050 | 12 |
| | WASHER – Fender to front body pillar (Cup) | ALL | | 7424850 | 6 |
| | WASHER – Fender to front body pillar (Rubber) | ALL | | 7424849 | 6 |
| 8.153 | SKIRT ASSEMBLY – Front fender | | | | |
| | SKIRT ASSEMBLY | ALL | LH | 2815495 | 1 |
| | | | RH | 2815494 | 1 |

"HQ" PARTS CATALOGUE

| GROUP | DESCRIPTION | MODEL | SIDE | PART No. | QTY. |
|--------------|---|---|----------|----------------------------|--------|
| 8.154 | SEAL, SHIELD, FASTENER – Front fender | | | | |
| | SEAL – Fender to front body pillar | ALL | | 2817983 | 2 |
| | SHIELD – Front fender skirt dust | ALL | | 2814014 | 2 |
| | FASTENER – Dust shield to fender skirt | ALL | | SP18388A | 4 |
| | FRONT FENDER OPENING UPPER MUD DEFLECTOR PACKAGE | ALL | | 2825700 | 1 |
| | DEFLECTOR – Opening upper mud | ALL | | 2825536 | 2 |
| 8.304 | MOULDING, CLIP, RETAINER – Rocker panel | | | | |
| | MOULDING | Kingswood Sed., Monaro exc. L.S. 4 Door G.T.S. | LH RH | 2815371 2815372 | 1 1 |
| | MOULDING CLIP PACKAGE | Kingswood, Monaro, Statesman exc. L.S., De Ville | | (²⁸ 2815371CLP | 2 |
| | CLIP – Moulding (Stud type) | Kingswood Sed., Monaro exc. L.S. 4 Door G.T.S. | | 7438659 | 22 |
| | CLIP – Moulding (Screw type) | Kingswood Sed., Monaro exc. L.S. 4 Door G.T.S. | | 7433488 | 22 |
| | SCREW – Pan hd. tap. No. 4 – 24 x 3/8" | Kingswood Sed., Monaro exc. L.S. 4 Door G.T.S. | | 161755 | 22 |
| | RETAINER – Moulding | Kingswood Sed., Monaro exc. L.S. 4 Door G.T.S. | | 7434212 | 2 |
| | WASHER – Sealing | Kingswood Sed., Monaro exc. L.S. 4 Door G.T.S. | | 7414611 | 2 |
| | NUT | Kingswood Sed., Monaro exc. L.S. 4 Door G.T.S. | | 272733 | 2 |
| | MOULDING | Kingswood Station Wagon, K/wood Utility, Statesman exc. De Ville | LH RH | 2815373 2815374 | 1 1 |
| | CLIP – Moulding (Stud type) | Kingswood Station Wagon, K/wood Utility, Statesman exc. De Ville | | 7438659 | 22 |
| | CLIP – Moulding (Screw type) | Kingswood Station Wagon, K/wood Utility, Statesman exc. De Ville | | 7433488 | 22 |
| | SCREW – Pan hd. tap. No. 4 – 24 x 3/8" | Kingswood Station Wagon, K/wood Utility, Statesman exc. De Ville | | 161755 | 22 |
| | RETAINER – Moulding | Kingswood Station Wagon, K/wood Utility, Statesman exc. De Ville | | 7434212 | 2 |
| | WASHER – Sealing | Kingswood Station Wagon, K/wood Utility, Statesman exc. De Ville | | 7414611 | 2 |
| | NUT | Kingswood Station Wagon, K/wood Utility, Statesman exc. De Ville | | 272733 | 2 |
| | MOULDING | Premier Sedan | LH RH | 2815665 2815664 | 1 1 |
| | MOULDING | Premier Station Wagon | LH RH | 2815667 2815666 | 1 1 |
| | MOULDING | L.S. | LH RH | 2816885 2816884 | 1 1 |
| | MOULDING | De Ville | LH RH | 2815669 2815668 | 1 1 |
| | MOULDING CLIP PACKAGE | Premier, L.S., De Ville | | (²⁸ 2815665CLP | 2 |
| | CLIP – Moulding (Stud type) | Premier, L.S., De Ville | | 2815972 | 24 |
| | CLIP – Moulding (Screw type) | Premier, L.S., De Ville | | 2816014 | A.R. |
| | SCREW – Rd. hd. washer face c/rec. tap. No. 8 – 18 x 3/16" | Premier, L.S., De Ville | | SP2256 | A.R. |
| | SCREW – Hex. washer hd. No. 10 – 16 x 1/2" | Premier, L.S., De Ville | | 9425111 | 14 |
| 8.798 | WINDSHIELD WASHER COMPONENTS | | | | |
| | RESERVOIR ASSY. | ALL | | 7434071 | 1 |
| | FILTER ASSY. | ALL | | 7433973 | 1 |
| | PUMP ASSY. – 'Lucas' | ALL | | VS11870 | 1 |
| | PUMP ASSY. – 'Pres-lite' | ALL | | VS11946 | 1 |
| | CAP – Suction (Pres-lite) | ALL | | VS12130 | 1 |

Note: (²⁸ Suit mouldings 2815371/2/3/4.
(²⁹ Suit mouldings 2815664/5/6/7/8/9, 2816884/5.

"HQ" PARTS CATALOGUE

| GROUP | DESCRIPTION | MODEL | SIDE | PART No. | QTY. |
|--|---|--------|------|----------|------|
| 8.798 WINDSHIELD WASHER COMPONENTS (contd.) | | | | | |
| | COVER - Solenoid (Prestite) | ALL | | VS12133 | 1 |
| | COVER - Valve (Prestite) | ALL | | VS12134 | 1 |
| | CUP - Trim (Prestite) | ALL | | VS12132 | 1 |
| | HOUSING (Prestite) | ALL | | VS12128 | 1 |
| | PLUNGER (Prestite) | ALL | | VS12131 | 1 |
| | PLUNGER & LEVER ASSY. - Solenoid (Prestite) | ALL | | VS12139 | 1 |
| | RUBBER - Valve (Prestite) | ALL | | VS12137 | 3 |
| | SCREW - Solenoid cover (Prestite) | ALL | | VS10277 | 1 |
| | SCREW - Valve cover (Prestite) | ALL | | VS12138 | 4 |
| | SEAL - Valve (Prestite) | ALL | | VS12136 | 1 |
| | SEAT - Valve (Prestite) | ALL | | VS12135 | 1 |
| | SOLENOID ASSY. (Prestite) | ALL | | VS12129 | 1 |
| | SPRING - Valve (Prestite) | ALL | | VS12140 | 1 |
| | CAM FOLLOWER (Lucas) | ALL | | VS12199 | 1 |
| | COVER - Valve (Lucas) | ALL | | VS12204 | 1 |
| | DIAPHRAGM (Lucas) | ALL | | VS12202 | 1 |
| | HOUSING (Lucas) | ALL | | VS12196 | 1 |
| | LATCH (Lucas) | ALL | | VS12198 | 1 |
| | LEVER ASSY. - Locking (Lucas) | ALL | | VS12207 | 1 |
| | PLATE - Intensifier (Lucas) | ALL | | VS12208 | 1 |
| | SLIDE (Lucas) | ALL | | VS12197 | 1 |
| | SOLENOID ASSY. (Lucas) | ALL | | VS12206 | 1 |
| | SPRING - Cam follower (Lucas) | ALL | | VS12201 | 1 |
| | SPRING - Diaphragm (Lucas) | ALL | | VS12203 | 1 |
| | SCREW - Slide (Lucas) | ALL | | VS12205 | 1 |
| | TIMING WHEEL (Lucas) | ALL | | VS12200 | 1 |
| | NOZZLE ASSY. | ALL | LH | 2816297 | 1 |
| | | | RH | 2816298 | 1 |
| | GROMMET - Nozzle to shroud panel | ALL | | 7412113 | 2 |
| | HOSE - Pump to LH nozzle (.156" I.D. x 23" long) | ALL | | 7406032 | 1 |
| | HOSE - Pump to RH nozzle (.156" I.D. x 5.5" long) | ALL | | 7426356 | 1 |
| | HOSE - Pump to Reservoir (.219" I.D. x 58" long) | ALL | | 2818587 | 1 |
| | CLIP - Hose to fender skirt | ALL | | SP1779 | 2 |
| 8.800 SERVICE ACCESSORIES - Maintenance | | | | | |
| | ADHESIVE - Plastic | ALL | | 7425228 | A.R. |
| | ADHESIVE - P.V.C. | ALL | | 7425230 | A.R. |
| | ANTI-FREEZE - 2 pint can | ALL | | 7425039 | A.R. |
| | CAULKING COMPOUND - In can | ALL | | 7425360 | A.R. |
| | CAULKING COMPOUND - Silicone - Windshield | ALL | | 2823265 | A.R. |
| | CAULKING COMPOUND - Silicone - Rear window | 37, 69 | | 2823266 | A.R. |
| | CEMENT - Neoprene | ALL | | 7425229 | A.R. |
| | FLUID - Heavy duty brake - 10 oz. | ALL | | 7448554 | A.R. |
| | FLUID - Heavy duty brake - 1 pint | ALL | | 7448553 | A.R. |
| | FLUID - Heavy duty brake - 4 gallon | ALL | | 7448551 | A.R. |
| | FLUID - Heavy duty brake - 4 gallon - External cap | ALL | | 7448550 | A.R. |
| | FLUID - Windshield washer | ALL | | 7425362 | A.R. |
| | INHIBITOR - Radiator - 8 oz. - Use when new radiator fitted | ALL | | 7426874 | A.R. |
| | INHIBITOR - Radiator - 8 oz. - Use after radiator has been in service for 6000 miles | ALL | | 2822485 | A.R. |
| | KEY BLANK - Square hd. (Primary) | ALL | | M37042 | A.R. |
| | KEY BLANK - Oval hd. (Secondary) | ALL | | M37043 | A.R. |
| | OIL - Compressor - 1 quart | ALL | | VS10686 | A.R. |
| | OIL - Silicone (Diode Rect. Generator) | ALL | | 7429241 | A.R. |
| | PASTE - Gasket and thermo switch | ALL | | 3836540 | A.R. |
| | PUTTY - Flexomastic | ALL | | 2806776 | A.R. |
| | SEALER - Prestik No. 14, non-hardening, black | ALL | | 7425330 | A.R. |
| | SEALER - Prestik No. 14, non-hardening, grey | ALL | | 7422512 | A.R. |

"HQ" PARTS CATALOGUE

| GROUP | DESCRIPTION | MODEL | SIDE | PART No. | QTY. |
|---|---|--------------------------|------|---------------------------|------|
| 8.800 SERVICE ACCESSORIES – Maintenance (contd.) | | | | | |
| | SEALER – Non-hardening, 1½ lb. (N202) | ALL | | 7438910 | A.R. |
| | SEALER – Non-hardening, 2½ lb. (N202) | ALL | | 7425360 | A.R. |
| | SEALER – Plastic (quart tin) | ALL | | 7425234 | A.R. |
| | SEALING COMPOUND – Crankshaft rear bearing cap | ALL | | 3835215 | A.R. |
| | LACQUER – Regulator sealing – 2 oz. pack | ALL | | VS10076 | A.R. |
| | TAPE – Regulator sealing | ALL | | 7429243 | A.R. |
| 8.820 JACK and HANDLE ASSEMBLY | | | | | |
| | JACK & HANDLE PACKAGE – Side lifting | 35, 37, 69 | | 2825178 | 1 |
| | HANDLE – Jack side lifting | 35, 37, 69 | | 2820040 | 1 |
| | JACK & HANDLE PACKAGE – Under axle type | 60 | | 2825180 | 1 |
| | JACK & HANDLE PACKAGE – Under axle type | 70, 80 | | 2825179 | 1 |
| | HANDLE – Jack | 60, 70, 80 | | 2817281 | 1 |
| | CLIP – Jack handle to body | 60, 70, 80 | | SP1904 | 1 |
| 8.821 TOOLS | | | | | |
| | BAG ASSEMBLY – Envelope type | ALL | | 7407255 | 1 |
| | BAG ASSEMBLY | ALL | | 7431257 | 1 |
| | WRENCH – Wheel nut | ALL | | 2822927 | 1 |
| | CLIP – Wheel nut wrench to body | 60, 70, 80 | | SP1904 | 1 |
| | TOOL KIT CONTAINER | Rally Wheel | | 2822909 | 1 |
| 8.823 MANUAL – Owner, workshop | | | | | |
| | MANUAL – Owner | Exc. Statesman | | (⁹⁰) 2823053 | 1 |
| | MANUAL – Owner | Exc. Statesman | | (⁹¹) 9930508 | 1 |
| | MANUAL – Owner | Statesman | | (⁹⁰) 2823052 | 1 |
| | MANUAL – Owner | Statesman | | (⁹¹) 9930509 | 1 |
| | MANUAL – Workshop (Body and Air Conditioning) | ALL | | M37015 | 1 |
| | MANUAL – Workshop (Front and Rear Suspension, Brakes, Steering) | ALL | | M37016 | 1 |
| | MANUAL – Workshop (Rear Axle & Transmission) | ALL | | M37017 | 1 |
| | MANUAL – Workshop (Engine and General Specifications) | ALL | | M37018 | 1 |
| | MANUAL – Workshop (Electrical) | ALL | | M37019 | 1 |
| | MANUAL – Workshop (Supplement) | 60, 70, 80 | | M37118 | 1 |
| | LABEL – Brake fluid caution | ALL | | 7448542 | 1 |
| | LABEL – Fan warning | ALL | | 2822755 | 1 |
| | TAG – Caution | Superlift Shock Absorber | | 2825280 | 1 |
| | TRANSFER – Holden name | Chassis & Cab | | 2823499 | 1 |
| | SUPER CHICKEN TRANSFER PACKAGE | 70, 80 | | 9931991 | 1 |
| | DECAL – Super chicken No. 1 LH side | 70, 80 | | M37321 | 1 |
| | DECAL – Super chicken No. 2 LH side | 70, 80 | | M37322 | 1 |
| | DECAL – Super chicken No. 3 LH side | 70, 80 | | M37323 | 1 |
| | DECAL – Super chicken No. 4 LH side | 70, 80 | | M37324 | 1 |
| | DECAL – Super chicken No. 5 LH side | 70, 80 | | M37325 | 1 |
| | DECAL – Super chicken No. 6 LH side | 70, 80 | | M37326 | 1 |
| | DECAL – Super chicken No. 1 RH side | 70, 80 | | M37327 | 1 |
| | DECAL – Super chicken No. 2 RH side | 70, 80 | | M37328 | 1 |
| | DECAL – Super chicken No. 3 RH side | 70, 80 | | M37329 | 1 |
| | DECAL – Super chicken No. 4 RH side | 70, 80 | | M37330 | 1 |
| | DECAL – Super chicken No. 5 RH side | 70, 80 | | M37331 | 1 |
| | DECAL – Super chicken No. 6 RH side | 70, 80 | | M37332 | 1 |
| | WATER SPLASH TRANSFER PACKAGE | 70,80 | | 9931992 | 1 |
| | DECAL – Water splash No. 1 LH side | 70, 80 | | M37333 | 1 |
| | DECAL – Water splash No. 2 LH side | 70, 80 | | M37334 | 1 |
| | DECAL – Water splash No. 3 LH side | 70, 80 | | M37335 | 1 |
| | DECAL – Water splash No. 4 LH side | 70, 80 | | M37336 | 1 |
| | DECAL – Water splash No. 5 LH side | 70, 80 | | M37337 | 1 |

Note: (⁹⁰) Prior to 1 January 1973.
 (⁹¹) From 1 January 1973.

“HQ” PARTS CATALOGUE

| GROUP | DESCRIPTION | MODEL | SIDE | PART No. | QTY. |
|--------------|--|--------------|------|----------|------|
| 8.823 | MANUAL – Owner, workshop (contd.) | | | | |
| | DECAL – Water splash No. 1 RH side | 70, 80 | | M37338 | 1 |
| | DECAL – Water splash No. 2 RH side | 70, 80 | | M37339 | 1 |
| | DECAL – Water splash No. 3 RH side | 70, 80 | | M37340 | 1 |
| | DECAL – Water splash No. 4 RH side | 70, 80 | | M37341 | 1 |
| | DECAL – Water splash No. 5 RH side | 70, 80 | | M37342 | 1 |

8.899 BALL - Steel

| | |
|------------------------------------|--------|
| 1/8" Carbon steel (Comm. A1) | 453566 |
| 3/16" Carbon steel | 453571 |
| 1/4" Carbon steel | 453593 |
| 5/16" Carbon steel | 147489 |
| 3/8" Carbon steel | 169162 |

8.900 BOLT - Hexagon Head



| | |
|---|---------|
| No. 10 - 16 x 1/2" with flat washer (zinc) | SP2144 |
| No. 10 - 24 x 3/8" (zinc) | SP2125 |
| No. 10 - 24 x 3/8" washer head | SP2319 |
| No. 10 - 24 x 1/2" (zinc or phos.) | SP1897 |
| No. 10 - 24 x 1/2" (cad or zinc) | 443874 |
| No. 10 - 24 x 5/8" | 440502 |
| No. 10 - 24 x 3/4" | 9418143 |
| No. 10 - 24 x 7/8" with flat washer (zinc) | SP2145 |
| No. 10 - 24 x 1 1/4" | 454774 |
| No. 10 - 24 x 1 1/2" (cr. recess) (cad) | SP2441 |
| No. 10 - 32 x 3/8" with lock washer | 457007 |
| 1/2" - 20 x 3/8" (zinc) | 121797 |
| 1/2" - 20 x 3/8" with washer (zinc) | 9411397 |
| 1/2" - 20 x 1/2" (cad or zinc) | 180015 |
| 1/2" - 20 x 1/2" with washer (zinc) | SP2047 |
| 1/2" - 20 x 1/2" with washer (phos. coated) | SP2219 |
| 1/2" - 20 x 1/2" (zinc) | 121926 |
| 1/2" - 20 x 1/2" (cad or zinc) | 180016 |
| 1/2" - 20 x 1/2" with lock washer (cad or zinc) | 274430 |
| 1/2" - 20 x 1/2" | 9414811 |
| 1/2" - 20 x 1/2" with lock washer | SP2066 |
| 1/2" - 20 x 1/2" (zinc) | 120706 |
| 1/2" - 20 x 1/2" washer hd. with ext. tooth lock washer | 9427959 |
| 1/2" - 20 x 1/2" (cad or zinc) | 9415794 |
| 1/2" - 20 x 1/2" with lock washer | 423335 |
| 1/2" - 20 x 1/2" | 117461 |
| 1/2" - 20 x 1/2" (zinc) | 121867 |
| 1/2" - 20 x 1/2" | 9415795 |
| 1/2" - 20 x 3/8" with washer (phos. coated) | SP2212 |
| 1/2" - 20 x 3/8" with washer (phos. coated) | SP2280 |
| 1/2" - 20 x 3/8" with washer (cad or zinc) | 274672 |
| 1/2" - 20 x 3/8" with lock washer (zinc) | SP2064 |
| 1/2" - 20 x 3/8" (zinc) | 120854 |
| 1/2" - 20 x 3/8" with lock washer (cad or zinc) | 9409107 |
| 1/2" - 20 x 3/8" with lock washer | SP2065 |
| 1/2" - 20 x 3/8" with ext. tooth lock washer | 186493 |
| 1/2" - 20 x 1/2" with lock washer | SP1566 |
| 1/2" - 20 x 3/4" | 121890 |
| 1/2" - 20 x 3/4" (zinc) | 121887 |
| 1/2" - 20 x 3/4" with lock washer | 187979 |
| 1/2" - 20 x 3/4" (cad or zinc) | 9413531 |
| 1/2" - 20 x 7/8" | SP2211 |
| 1/2" - 20 x 7/8" with washer | SP2279 |
| 1/2" - 20 x 7/8" (cad or zinc) | 456632 |
| 1/2" - 20 x 7/8" with lock washer | SP2031 |
| 1/2" - 20 x 7/8" with lock washer | SP2483 |
| 1/2" - 20 x 1 1/8" | 108586 |
| 1/2" - 20 x 1 1/8" | 179795 |
| 1/2" - 20 x 2 3/8" (cad or zinc) | SP2107 |
| 1/2" - 28 x 1 1/2" | 123316 |
| 1/2" - 28 x 5/8" (zinc) | 123435 |

8.900 BOLT - Hexagon Head (contd.)

| | |
|--|---------|
| 1/4" - 28 x .640 with lock washer | SP1976 |
| 1/4" - 28 x 3/8" | 123450 |
| 1/4" - 28 x 7/8" (zinc) | 454848 |
| 1/4" - 28 x 1 1/2" | 100004 |
| 5/16" - 10 Acme | SP1775 |
| 5/16" - 18 x 1/2" | SP1771 |
| 5/16" - 18 x 1/2" (phos. coated) | 9419342 |
| 5/16" - 18 x 1/2" (zinc) | 180073 |
| 5/16" - 18 x 1/2" (plain) | 106973 |
| 5/16" - 18 x 1/2" (cad or zinc) | 120834 |
| 5/16" - 18 x 1/2" with lock washer | 423345 |
| 5/16" - 18 x 1/2" with serrated washer head | 9416897 |
| 5/16" - 18 x 3/4" | 115658 |
| 5/16" - 18 x 3/4" | 121986 |
| 5/16" - 18 x 3/4" (cad or zinc) | 120228 |
| 5/16" - 18 x 3/4" (zinc) | 180075 |
| 5/16" - 18 x 3/4" with lock washer | SP2089 |
| 5/16" - 18 x 3/4" with flat washer (zinc) | SP1994 |
| 5/16" - 18 x 3/4" with lock washer | 9419370 |
| 5/16" - 18 x 1 1/8" (zinc) | 121999 |
| 5/16" - 18 x 1 1/8" header point | 9422550 |
| 5/16" - 18 x 3/4" (zinc) | 122007 |
| 5/16" - 18 x 3/4" | 179816 |
| 5/16" - 18 x 3/4" with lock washer (zinc) | SP2073 |
| 5/16" - 18 x 3/4" (cad or zinc) | 454869 |
| 5/16" - 18 x 3/4" with lock washer | SP2080 |
| 5/16" - 18 x 3/4" (cad or zinc) | 9415813 |
| 5/16" - 18 x 3/4" | 186678 |
| 5/16" - 18 x 3/4" (phos. coated) | SP2265 |
| 5/16" - 18 x 3/4" with lock washer (zinc) | SP2195 |
| 5/16" - 18 x 3/4" with lock and flat washer (zinc) | SP2093 |
| 5/16" - 18 x 1 1/8" with washer (zinc) | SP2055 |
| 5/16" - 18 x 7/8" with lock washer (zinc) | SP2115 |
| 5/16" - 18 x 7/8" (cad or zinc) | 120229 |
| 5/16" - 18 x 7/8" with lock and flat washer (zinc) | SP2078 |
| 5/16" - 18 x 7/8" | 179817 |
| 5/16" - 18 x 7/8" with lock washer (zinc) | SP2090 |
| 5/16" - 18 x 7/8" (cad or zinc) | 9413576 |
| 5/16" - 18 x 1" | 179818 |
| 5/16" - 18 x 1" with lock washer (zinc) | SP2013 |
| 5/16" - 18 x 1" with washer (zinc) | SP2014 |
| 5/16" - 18 x 1" Type 'A' lock | 192347 |
| 5/16" - 18 x 1" (cad or zinc) | 122017 |
| 5/16" - 18 x 1" (cad or zinc) | 180079 |
| 5/16" - 18 x 1" with serrated washer head | 9413497 |
| 5/16" - 18 x 1" flanged hd. (zinc) | 9427636 |
| 5/16" - 18 x 1 1/8" | 179819 |
| 5/16" - 18 x 1 1/8" | 180080 |
| 5/16" - 18 x 1 1/8" with washer | SP2433 |
| 5/16" - 18 x 1 1/8" with lock washer | SP2040 |
| 5/16" - 18 x 1 1/8" with lock and flat washer | SP2027 |
| 5/16" - 18 x 1 1/8" with lock washer | SP2067 |
| 5/16" - 18 x 1 1/8" (cad or zinc) | 122022 |
| 5/16" - 18 x 1 1/8" | 100123 |
| 5/16" - 18 x 1 1/8" | 180081 |
| 5/16" - 18 x 1 1/4" Flanged hd. (zinc) | 9432575 |
| 5/16" - 18 x 1 1/4" with washer (zinc) | SP2027 |
| 5/16" - 18 x 1 3/8" Flanged hd. | 9420831 |
| 5/16" - 18 x 1 3/8" (cad or zinc) | 9415818 |
| 5/16" - 18 x 1 3/8" Flanged hd. | 9423842 |
| 5/16" - 18 x 1 3/8" Flanged hd. (zinc) | 9428163 |
| 5/16" - 18 x 1 1/2" | 179822 |
| 5/16" - 18 x 1 1/2" Type 'A' lock | 220425 |
| 5/16" - 18 x 1 1/2" Flanged hd. (cad or zinc) | SP2274 |
| 5/16" - 18 x 1 5/8" Flanged hd. | 9427658 |
| 5/16" - 18 x 1 5/8" Flanged hd. | 9427182 |

8.900 BOLT - Hexagon Head (contd.)

| | |
|---|---------|
| $\frac{5}{16}$ " - 18 x 1 $\frac{1}{2}$ " | 179824 |
| $\frac{5}{16}$ " - 18 x 1 $\frac{1}{4}$ " Type 'A' lock | 220426 |
| $\frac{5}{16}$ " - 18 x 1 $\frac{1}{2}$ " Flanged hd. (zinc) | 9427637 |
| $\frac{5}{16}$ " - 18 x 1 $\frac{7}{8}$ " | 9419999 |
| $\frac{5}{16}$ " - 18 x 1 $\frac{7}{8}$ " | 108597 |
| $\frac{5}{16}$ " - 18 x 2" | 179826 |
| $\frac{5}{16}$ " - 18 x 2" | 454864 |
| $\frac{5}{16}$ " - 18 x 2 $\frac{1}{4}$ " Flanged hd. (zinc) | 9427638 |
| $\frac{5}{16}$ " - 18 x 2 $\frac{1}{16}$ " Flanged hd. (zinc) | 9427813 |
| $\frac{5}{16}$ " - 18 x 2 $\frac{7}{8}$ " with lock washer | SP2028 |
| $\frac{5}{16}$ " - 18 x 3 $\frac{3}{4}$ " (cad or zinc) | 188154 |
| $\frac{5}{16}$ " - 18 x 3 $\frac{7}{8}$ " | 9432483 |
| $\frac{5}{16}$ " - 24 x $\frac{1}{2}$ " | 181591 |
| $\frac{5}{16}$ " - 24 x $\frac{3}{4}$ " with lock and flat washer | SP2037 |
| $\frac{5}{16}$ " - 24 x $\frac{3}{4}$ " (cad or zinc) | 181595 |
| $\frac{5}{16}$ " - 24 x $\frac{3}{4}$ " | 9420519 |
| $\frac{5}{16}$ " - 24 x $\frac{5}{8}$ " (cad or zinc) | 120741 |
| $\frac{5}{16}$ " - 24 x $\frac{7}{8}$ " | 181596 |
| $\frac{5}{16}$ " - 24 x 1" | 121661 |
| $\frac{5}{16}$ " - 24 x 1" (zinc) | 181608 |
| $\frac{5}{16}$ " - 24 x 1" (zinc) | 186634 |
| $\frac{5}{16}$ " - 24 x 1 $\frac{1}{4}$ " | 123774 |
| $\frac{5}{16}$ " - 24 x 1 $\frac{3}{8}$ " | 454885 |
| $\frac{5}{16}$ " - 24 x 2 $\frac{7}{8}$ " (zinc) | 9427685 |
| $\frac{5}{16}$ " - 24 x 2 $\frac{1}{2}$ " | 124094 |
| $\frac{5}{16}$ " - 24 x 3 $\frac{1}{2}$ " (zinc) | 9430452 |
| $\frac{5}{16}$ " - 24 x 4 $\frac{1}{4}$ " | 9430454 |
| $\frac{3}{8}$ " - 16 x $\frac{1}{2}$ " (zinc) | 180116 |
| $\frac{3}{8}$ " - 16 x $\frac{5}{8}$ " (cad or zinc) | 122104 |
| $\frac{3}{8}$ " - 16 x 1 $\frac{1}{16}$ " (cad or zinc) | 180119 |
| $\frac{3}{8}$ " - 16 x $\frac{1}{4}$ " (cad or zinc) | 180120 |
| $\frac{3}{8}$ " - 16 x $\frac{3}{4}$ " (zinc) | 122119 |
| $\frac{3}{8}$ " - 16 x $\frac{7}{8}$ " (cad or zinc) | 122126 |
| $\frac{3}{8}$ " - 16 x $\frac{7}{8}$ " | 179838 |
| $\frac{3}{8}$ " - 16 x $\frac{7}{8}$ " (cad or zinc) | 180121 |
| $\frac{3}{8}$ " - 16 x $\frac{7}{8}$ " with lock washer | SP2077 |
| $\frac{3}{8}$ " - 16 x $\frac{7}{8}$ " | 454905 |
| $\frac{3}{8}$ " - 16 x $\frac{7}{8}$ " with washer (zinc) | SP2035 |
| $\frac{3}{8}$ " - 16 x 1" (cad or zinc) | 120233 |
| $\frac{3}{8}$ " - 16 x 1" | 100134 |
| $\frac{3}{8}$ " - 16 x 1" (cad or zinc) | 180122 |
| $\frac{3}{8}$ " - 16 x 1" | 9418822 |
| $\frac{3}{8}$ " - 16 x 1" with flat & lock washer (zinc) | SP2154 |
| $\frac{3}{8}$ " - 16 x 1 $\frac{1}{8}$ " (cad or zinc) | 122138 |
| $\frac{3}{8}$ " - 16 x 1 $\frac{1}{8}$ " with lock washer | SP2079 |
| $\frac{3}{8}$ " - 16 x 1 $\frac{1}{8}$ " | 186619 |
| $\frac{3}{8}$ " - 16 x 1 $\frac{1}{8}$ " (cad or zinc) | 180123 |
| $\frac{3}{8}$ " - 16 x 1 $\frac{1}{8}$ " | 106331 |
| $\frac{3}{8}$ " - 16 x 1 $\frac{1}{8}$ " (cad or zinc) | 435611 |
| $\frac{3}{8}$ " - 16 x 1 $\frac{1}{8}$ " with flat washer | SP2072 |
| $\frac{3}{8}$ " - 16 x 1 $\frac{1}{8}$ " | 9418823 |
| $\frac{3}{8}$ " - 16 x 1 $\frac{1}{8}$ " with lock washer | SP2071 |
| $\frac{3}{8}$ " - 16 x 1 $\frac{1}{8}$ " with lock washer (cad or zinc) | 425348 |
| $\frac{3}{8}$ " - 16 x 1 $\frac{1}{4}$ " with lock washer | SP2068 |
| $\frac{3}{8}$ " - 16 x 1 $\frac{1}{4}$ " (zinc) | 122145 |
| $\frac{3}{8}$ " - 16 x 1 $\frac{1}{4}$ " | 179841 |
| $\frac{3}{8}$ " - 16 x 1 $\frac{1}{4}$ " (cad or zinc) | 180124 |
| $\frac{3}{8}$ " - 16 x 1 $\frac{3}{8}$ " with washer | SP2029 |
| $\frac{3}{8}$ " - 16 x 1 $\frac{3}{8}$ " (cad or zinc) | 180125 |
| $\frac{3}{8}$ " - 16 x 1 $\frac{3}{8}$ " | 122150 |
| $\frac{3}{8}$ " - 16 x 1 $\frac{3}{8}$ " | 179842 |
| $\frac{3}{8}$ " - 16 x 1 $\frac{3}{8}$ " with lock washer | SP2030 |
| $\frac{3}{8}$ " - 16 x 1 $\frac{1}{2}$ " with washer (zinc) | SP2139 |
| $\frac{3}{8}$ " - 16 x 1 $\frac{1}{2}$ " (cad or zinc) | 180126 |
| $\frac{3}{8}$ " - 16 x 1 $\frac{1}{2}$ " (cad or zinc) | 120918 |
| $\frac{3}{8}$ " - 16 x 1 $\frac{1}{2}$ " | 179843 |

8.900 BOLT - Hexagon Head (contd.)

| | |
|--|---------|
| $\frac{3}{8}$ " - 16 x 1 $\frac{1}{2}$ " | 454906 |
| $\frac{3}{8}$ " - 16 x 1 $\frac{1}{2}$ " (phos. coated) | 181116 |
| $\frac{3}{8}$ " - 16 x 1 $\frac{1}{2}$ " | 100136 |
| $\frac{3}{8}$ " - 16 x 1 $\frac{7}{8}$ " | 122162 |
| $\frac{3}{8}$ " - 16 x 1 $\frac{5}{8}$ " (cad or zinc) | 180127 |
| $\frac{3}{8}$ " - 16 x 1 $\frac{5}{8}$ " Flanged hd. (cad or zinc) | 9427729 |
| $\frac{3}{8}$ " - 16 x 1 $\frac{5}{8}$ " | 179845 |
| $\frac{3}{8}$ " - 16 x 1 $\frac{5}{8}$ " with lock washer | SP2070 |
| $\frac{3}{8}$ " - 16 x 2" with lock washer | SP2069 |
| $\frac{3}{8}$ " - 16 x 2" (cad or zinc) | 9415844 |
| $\frac{3}{8}$ " - 16 x 2" (cad or zinc) | 122181 |
| $\frac{3}{8}$ " - 16 x 2 $\frac{1}{4}$ " | 180132 |
| $\frac{3}{8}$ " - 16 x 2 $\frac{3}{8}$ " (zinc) | 189301 |
| $\frac{3}{8}$ " - 16 x 2 $\frac{1}{2}$ " (zinc) | 9432096 |
| $\frac{3}{8}$ " - 16 x 2 $\frac{1}{2}$ " (zinc) | SP2186 |
| $\frac{3}{8}$ " - 16 x 2 $\frac{3}{4}$ " | 179850 |
| $\frac{3}{8}$ " - 16 x 2 $\frac{3}{4}$ " (cad or zinc) | 180137 |
| $\frac{3}{8}$ " - 16 x 2 $\frac{7}{8}$ " | 189302 |
| $\frac{3}{8}$ " - 16 x 2 $\frac{7}{8}$ " | 220595 |
| $\frac{3}{8}$ " - 16 x 3" (zinc) | 180138 |
| $\frac{3}{8}$ " - 16 x 3 $\frac{1}{4}$ " | 189304 |
| $\frac{3}{8}$ " - 16 x 3 $\frac{1}{2}$ " | 189305 |
| $\frac{3}{8}$ " - 16 x 4 $\frac{1}{8}$ " | 9428498 |
| $\frac{3}{8}$ " - 16 x 4 $\frac{7}{8}$ " (cad or zinc) | 9427686 |
| $\frac{3}{8}$ " - 16 x 6.03" (cad or zinc) | SP1957 |
| $\frac{3}{8}$ " - 24 x 1 $\frac{1}{8}$ " (zinc) | 454293 |
| $\frac{3}{8}$ " - 24 x $\frac{3}{4}$ " (zinc) | 123520 |
| $\frac{3}{8}$ " - 24 x $\frac{7}{8}$ " | 106285 |
| $\frac{3}{8}$ " - 24 x 1" (zinc) | 120647 |
| $\frac{3}{8}$ " - 24 x 1" | 454922 |
| $\frac{3}{8}$ " - 24 x 1 $\frac{1}{4}$ " | 121615 |
| $\frac{3}{8}$ " - 24 x 1 $\frac{1}{2}$ " (cad or zinc) | 120677 |
| $\frac{3}{8}$ " - 24 x 1 $\frac{1}{2}$ " (cad or zinc) | 181643 |
| $\frac{3}{8}$ " - 24 x 1 $\frac{3}{8}$ " (zinc) | 181645 |
| $\frac{3}{8}$ " - 24 x 1 $\frac{5}{8}$ " | 454924 |
| $\frac{3}{8}$ " - 24 x 3" (plain) | 181385 |
| $\frac{3}{8}$ " - 24 x 3 $\frac{1}{4}$ " | 186309 |
| $\frac{3}{8}$ " - 24 x 3 $\frac{1}{2}$ " (cad or zinc) | 127968 |
| $\frac{3}{8}$ " - 24 x 4" | 9427969 |
| $\frac{3}{8}$ " - 24 x 4" | SP1681 |
| $\frac{3}{8}$ " - 24 x 4 $\frac{1}{2}$ " (zinc) | 189334 |
| $\frac{3}{8}$ " - 24 x 4 $\frac{3}{4}$ " | 180768 |
| $\frac{3}{8}$ " - 24 x 5" | SP1798 |
| $\frac{3}{8}$ " - 24 x 5" | 189335 |
| $\frac{3}{8}$ " - 24 x 5 $\frac{1}{2}$ " | 116493 |
| $\frac{3}{8}$ " - 24 x 8 $\frac{3}{4}$ " (zinc) | 189342 |
| $\frac{7}{16}$ " - 14 x $\frac{7}{8}$ " (cad or zinc) | 122246 |
| $\frac{7}{16}$ " - 14 x $\frac{7}{8}$ " (cad or zinc) | 180144 |
| $\frac{7}{16}$ " - 14 x $\frac{7}{8}$ " (cad or zinc) | 454943 |
| $\frac{7}{16}$ " - 14 x 1" | 122253 |
| $\frac{7}{16}$ " - 14 x 1" | 180145 |
| $\frac{7}{16}$ " - 14 x 1 $\frac{1}{4}$ " | 122267 |
| $\frac{7}{16}$ " - 14 x 1 $\frac{3}{8}$ " | 122273 |
| $\frac{7}{16}$ " - 14 x 1 $\frac{1}{2}$ " (cad or zinc) | 122279 |
| $\frac{7}{16}$ " - 14 x 1 $\frac{7}{8}$ " | 179865 |
| $\frac{7}{16}$ " - 14 x 2" | 179866 |
| $\frac{7}{16}$ " - 14 x 2 $\frac{1}{8}$ " | 9427960 |
| $\frac{7}{16}$ " - 14 x 2 $\frac{1}{4}$ " | 179868 |
| $\frac{7}{16}$ " - 14 x 2 $\frac{1}{2}$ " (zinc) | 180157 |
| $\frac{7}{16}$ " - 14 x 3.147" (cad or zinc) | SP2227 |
| $\frac{7}{16}$ " - 14 x 3 $\frac{1}{4}$ " (cad or zinc) | 122340 |
| $\frac{7}{16}$ " - 14 x 3 $\frac{1}{2}$ " (cad or zinc) | 180162 |
| $\frac{7}{16}$ " - 14 x 3 $\frac{3}{4}$ " (zinc) | 122354 |
| $\frac{7}{16}$ " - 14 x 3 $\frac{3}{4}$ " (zinc) | 454466 |
| $\frac{7}{16}$ " - 14 x 3 $\frac{7}{8}$ " (cad or zinc) | SP2153 |
| $\frac{7}{16}$ " - 20 x $\frac{5}{8}$ " (zinc) | 123540 |

8.900 BOLT - Hexagon Head (contd.)

| | |
|--|---------|
| $\frac{1}{16}$ " - 20 x 1 $\frac{1}{8}$ " | 181667 |
| $\frac{1}{16}$ " - 20 x 1 $\frac{1}{4}$ " | 123841 |
| $\frac{1}{16}$ " - 20 x 1 $\frac{3}{8}$ " | 181669 |
| $\frac{1}{16}$ " - 20 x 1 $\frac{1}{2}$ " (zinc) | 181671 |
| $\frac{1}{16}$ " - 20 x 1 $\frac{7}{8}$ " | 181673 |
| $\frac{1}{16}$ " - 20 x 2 $\frac{1}{4}$ " (phos. coated) | 9428643 |
| $\frac{1}{16}$ " - 20 x 2 $\frac{1}{2}$ " | 181408 |
| $\frac{1}{2}$ " - 13 x 1 $\frac{1}{4}$ " (cad or zinc) | 120426 |
| $\frac{1}{2}$ " - 13 x 1 $\frac{3}{8}$ " | 100161 |
| $\frac{1}{2}$ " - 13 x 2" (zinc) | 122459 |
| $\frac{1}{2}$ " - 13 x 3.63" (cad or zinc) | SP2102 |
| $\frac{1}{2}$ " - 13 x 3.63" (zinc) | SP2452 |
| $\frac{1}{2}$ " - 13 x 3 $\frac{3}{4}$ " (cad or zinc) | SP2184 |
| $\frac{1}{2}$ " - 13 x 5 $\frac{3}{4}$ " (zinc) | 215723 |
| $\frac{1}{2}$ " - 13 x 6 $\frac{3}{4}$ " (phos. coated) | 9428406 |
| $\frac{3}{8}$ " - 18 x 1 $\frac{3}{8}$ " (cad or zinc) | 224255 |

8.903 BOLT - Round Head Carriage

| | |
|---|--------|
| No. 10 - 24 x 1" (phos. coated) | SP2345 |
| $\frac{1}{2}$ " - 20 x $\frac{5}{8}$ " | 456754 |
| $\frac{5}{16}$ " - 18 x $\frac{3}{4}$ " | SP1053 |
| $\frac{1}{16}$ " - 18 x 7.00" (cad or zinc) | SP2005 |
| $\frac{1}{16}$ " - 18 x 8.50" (cad or zinc) | SP2291 |
| $\frac{1}{16}$ " - 18 x 11.00" | SP2327 |

8.906 BOLT - Round Head



| | |
|---|--------|
| No. 8 - 18 'BT' type (cad or zinc) | SP2018 |
| No. 10 - 32 x $\frac{1}{2}$ " (cad or zinc) | 132908 |
| $\frac{5}{16}$ " - 18 x 6" | SP1696 |
| $\frac{1}{16}$ " - 14 x 4 $\frac{1}{2}$ " (cad or zinc) | 126774 |

8.907 BOLT - Fillister Head



| | |
|---|--------|
| No. 8 - 32 x $\frac{1}{4}$ " (slotted) (cad or zinc) | 131954 |
| No. 10 - 24 x $\frac{1}{2}$ " (slotted) | 120687 |
| No. 10 - 32 x $\frac{5}{16}$ " (slotted) (cad or zinc) | 132100 |
| No. 10 - 32 x $\frac{1}{16}$ " (cad or zinc) | SP1724 |
| $\frac{1}{4}$ " - 28 x $\frac{5}{16}$ " (slotted) with internal tooth lock washer | 187375 |
| $\frac{3}{8}$ " - 16 x $\frac{3}{8}$ " (cr. recess) (cad or zinc) | 154061 |

8.908 BOLT - Flat Head



| | |
|--|---------|
| No. 6 - 20 x $\frac{3}{8}$ " | SP1896 |
| No. 10 - 24 x $\frac{1}{2}$ " (cr. recess) | 155937 |
| No. 10 - 24 x $\frac{1}{2}$ " header point | 9418712 |
| $\frac{1}{4}$ " - 20 x $\frac{5}{8}$ " (cr. recess) with csk. external tooth lock washer (cad or zinc) | 191983 |

8.908 BOLT - Flat Head (contd.)

| | |
|--|--------|
| $\frac{5}{16}$ " - 18 x $\frac{5}{8}$ " (slotted) | 133822 |
| $\frac{5}{16}$ " - 18 x $\frac{5}{8}$ " (cr. recess) (cad or zinc) | 156417 |
| $\frac{3}{8}$ " - 16 x $\frac{7}{8}$ " (cr. recess) | 156544 |

8.909 BOLT - Oval Head



| | |
|---|--------|
| No. 10 - 32 x $\frac{1}{2}$ " (cad or zinc) | 157026 |
| No. 10 - 32 x $\frac{3}{8}$ " (cr. recess) (cad or zinc) | 157057 |
| $\frac{1}{4}$ " - 20 x $\frac{1}{2}$ " with washer (zinc) | SP2350 |
| $\frac{3}{8}$ " - 16 x 1" (cr. recess) | 157614 |

8.910 BOLT - Pan Head

| | |
|---|---------|
| No. 6 - 32 x $\frac{1}{2}$ " (cr. recess) (cad or zinc) | 159336 |
| No. 6 - 32 x 1" (cr. recess) (zinc) | 7446262 |
| No. 8 - 32 x $\frac{1}{4}$ " (cr. recess) (cad or zinc) | 159572 |
| No. 8 - 32 x $\frac{5}{16}$ " (cr. recess) (cad or zinc) | 159577 |
| No. 8 - 32 x $\frac{1}{2}$ " (cr. recess) (cad or zinc) | 159592 |
| No. 8 - 32 x $\frac{3}{16}$ " (cr. recess) | 9426936 |
| No. 8 - 32 x $\frac{1}{4}$ " (cr. recess) (cad or zinc) | 159572 |
| No. 8 - 32 x 1" (cad or zinc) | 159675 |
| No. 10 - 24 x $\frac{1}{4}$ " (slotted) | 436567 |
| No. 10 - 24 x $\frac{5}{16}$ " (cr. recess) (cad or zinc) | 159858 |
| No. 10 - 24 x $\frac{3}{8}$ " (cr. recess) (cad or zinc) | 159908 |
| No. 10 - 24 x $\frac{1}{2}$ " (cr. recess) (cad or zinc) | 159920 |
| No. 10 - 24 x $\frac{1}{2}$ " (blk. zn) | SP1897 |
| No. 10 - 24 x $\frac{1}{2}$ " (cad or zinc) | 436732 |
| No. 10 - 24 x $\frac{5}{8}$ " (cr. recess) | 454782 |
| No. 10 - 24 x $\frac{3}{4}$ " | 159947 |
| No. 10 - 24 x 1 $\frac{1}{2}$ " (cr. recess) | 159962 |
| $\frac{1}{4}$ " - 20 x $\frac{3}{8}$ " (cr. recess) (cad or zinc) | 160505 |
| $\frac{1}{4}$ " - 20 x $\frac{1}{16}$ " with external tooth lock washer | SP1672 |
| $\frac{1}{4}$ " - 20 x $\frac{1}{2}$ " (cr. recess) with lock washer | 9416367 |
| $\frac{1}{4}$ " - 20 x $\frac{1}{8}$ " with flat washer | SP2075 |
| $\frac{1}{4}$ " - 20 x $\frac{1}{8}$ " (cr. recess) with internal lock washer | 188712 |
| $\frac{1}{4}$ " - 20 x $\frac{1}{2}$ " (cr. recess) with external tooth lock washer | 191985 |
| $\frac{1}{4}$ " - 20 x $\frac{1}{8}$ " (cad or zinc) | 160515 |
| $\frac{1}{4}$ " - 20 x $\frac{5}{16}$ " (cr. recess) (cad or zinc) | SP2044 |
| $\frac{1}{4}$ " - 20 x $\frac{3}{8}$ " (cr. recess) with lock washer | 9418894 |
| $\frac{1}{4}$ " - 20 x $\frac{5}{8}$ " 'B' type (zinc) | SP2168 |
| $\frac{1}{4}$ " - 20 x $\frac{3}{8}$ " (cr. recess) (cad or zinc) | 160536 |
| $\frac{1}{4}$ " - 20 x $\frac{3}{4}$ " (cr. recess) with external tooth lock washer | 446680 |
| $\frac{1}{4}$ " - 20 x $\frac{3}{4}$ " with washer (zinc) | SP2045 |
| $\frac{1}{4}$ " - 20 x $\frac{3}{4}$ " (cr. recess) (cad or zinc) | 160541 |
| $\frac{1}{4}$ " - 20 x 3" (cr. recess) | 191875 |
| $\frac{1}{4}$ " - 28 x $\frac{1}{2}$ " (cr. recess) | 191879 |
| $\frac{5}{16}$ " - 18 x $\frac{1}{2}$ " with lock washer (cad or zinc) | 442689 |
| $\frac{5}{16}$ " - 18 x $\frac{1}{2}$ " (cr. recess) (with lock washer) (cad or zinc) | 9434026 |
| $\frac{5}{16}$ " - 18 x $\frac{3}{4}$ " (cr. recess) | 147672 |
| $\frac{5}{16}$ " - 18 x $\frac{3}{4}$ " (cr. recess with lock washer) (black zinc) | SP2305 |

8.913 BOLT - Truss Head



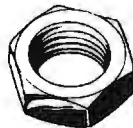
| | |
|--|--------|
| No. 8 - 32 x 1/4" (cr. recess) (cad or zinc) | 451580 |
| 1/2" - 20 x 1/2" (cr. recess) (cad or zinc) | 157716 |

8.915 NUT - Hexagon



| | |
|---|---------|
| No. 6 - 32 (cad or zinc) | 134530 |
| No. 8 - 32 Machine screw (cad or zinc) | 120622 |
| No. 10 - 24 Machine screw (cad or zinc) | 120361 |
| No. 10 - 24 Machine screw (flange) (zinc) | SP2372 |
| No. 10 - 32 Machine screw (cad or zinc) | 120614 |
| No. 10 - 32 Machine screw (flange) (zinc) | SP2091 |
| 1/4" - 20 (phos. coated) | 9419143 |
| 1/4" - 20 Machine screw (cad or zinc) | 134551 |
| 1/4" - 20 Light (zinc) | 120375 |
| 1/4" - 28 Machine screw | 142247 |
| 1/4" - 28 Light (cad or zinc) | 120367 |
| 1/4" - 28 Thick | 137508 |
| 5/16" - 18 | 102634 |
| 5/16" - 18 Light (cad or zinc) | 120376 |
| 5/16" - 24 Light (cad or zinc) | 120368 |
| 5/16" - 24 Thick (phos. coated) | 137509 |
| 3/8" - 16 (phos. coated) | 9418931 |
| 3/8" - 16 (cad or zinc) | 9422277 |
| 3/8" - 16 (phos. coated) | 134568 |
| 3/8" - 16 | 102635 |
| 3/8" - 16 Light (cad or zinc) | 120377 |
| 3/8" - 24 | 103026 |
| 3/8" - 24 Light (zinc) | 120369 |
| 3/8" - 24 | SP1708 |
| 3/8" - 24 | 114942 |
| 3/8" - 24 Heavy | 451401 |
| 3/8" - 24 | 9420821 |
| 7/16" - 14 (cad. or zinc) | 271501 |
| 7/16" - 20 | 271505 |
| 7/16" - 20 (cad or zinc) | 271506 |
| 7/16" - 20 Thick | 272233 |
| 1/2" - 13 (cad or zinc) | 120378 |
| 5/8" - 18 (cad or zinc) | 121358 |

8.916 NUT - Hexagon Jam



| | |
|--------------------------------------|--------|
| 1/4" - 28 (cad or zinc) | 120613 |
| 5/16" - 18 | 114502 |
| 5/16" - 18 | 124824 |
| 5/16" - 24 Light (cad or zinc) | 124920 |
| 3/8" - 16 (cad or zinc) | 124829 |
| 3/8" - 24 Light (cad or zinc) | 124925 |
| 3/8" - 24 Light (plain) | 114494 |
| 1/2" - 20 Light | 114496 |

8.916 NUT - Hexagon Jam (contd.)

| | |
|--------------------------------------|---------|
| 1/2" - 20 Heavy (phos. coated) | 9418302 |
| 5/16" - 18 (zinc) | 124939 |
| 5/16" - 18 | 114497 |

8.917 NUT - Hexagon Slotted

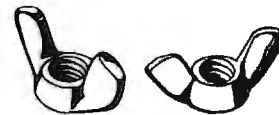


| | |
|---------------------------------|---------|
| 3/8" - 16 | 9422297 |
| 3/8" - 24 | 125233 |
| 3/8" - 24 | 117212 |
| 7/16" - 20 (thick) (zinc) | 272312 |
| 1/2" - 20 | 102647 |
| 1/2" - 20 (cad or zinc) | 125250 |
| 1/2" - 20 (thick) (plain) | 119254 |
| 5/16" - 18 | 102648 |
| 3/4" - 20 | SP1816 |

8.918 NUT - Hexagon Self Locking

| | |
|--|---------|
| No. 10 - 24 with serrated washer | SP1900 |
| 1/4" - 20 UNE with serrated face | SP1890 |
| 1/4" - 20 | 3903539 |
| 1/4" - 28 | 9413976 |
| 3/8" - 16 (zinc) | SP2220 |
| 3/8" - 16 with lock washer | 9425691 |
| 3/8" - 16 (cad or zinc) | 145027 |
| 3/8" - 20 (cad or zinc) | SP1330 |
| 7/16" - 14 | 9422299 |
| 7/16" - 20 | 272876 |
| 7/16" - 20 (cad or zinc) | 9422280 |
| 7/16" - 24 (cad or zinc) | 273807 |
| 1/2" - 13 washer face | SP2187 |
| 1/2" - 13 tension lock (cad) | 9422281 |
| 1/2" - 13 tension lock (cad) | 9422301 |

8.920 NUT - Wing



| | |
|---------------------------------|--------|
| 3/8" - 24 | SP2267 |
| 1/4" - 20 (chrome plated) | SP1919 |
| 1/2" - 20 (steel) | SP1352 |
| 1/4" - 20 (brass) | SP1769 |
| 5/16" - 18 | SP2338 |

8.921 NUT - Stamped



| | |
|--|--------|
| No. 6 - 32 'G' type (cad or zinc) | 272733 |
| No. 8A 'U' type | SP1733 |
| No. 8A 'U' type | SP1747 |
| No. 8AB 'U' type | SP1854 |
| No. 8 or 10 Screw | SP2215 |
| No. 10 - 24 'DO' type (phos. coated) | 273330 |
| No. 10 - 24 'DO' type | 441240 |
| No. 10 - 24 'B' type 'J' shaped | 446716 |

8.921 NUT - Stamped (contd.)

| | |
|---------------------------------------|---------|
| No. 10 - 24 'DO' type | 441239 |
| No. 10A 'U' type (phos. coated) | SP1750 |
| No. 10 'U' type (phos. coated) | 9422836 |
| No. 10 - 12 'A' type | SP1995 |
| 1/8" 'SC' type (cad) | 9416046 |
| 1/8" 'A' type | SP1534 |
| 1/8" 'M' type (phos. coated) | 9415250 |
| 3/16" Flat type | SP2019 |
| 3/16" 'M' type (phos. coated) | 9418693 |
| 3/16" B.S.W. Flat speed | SP1876 |
| 1/4" - 20 'J' type | SP1937 |
| 1/4" - 20 'J' type | SP2024 |
| 3/8" - 10 Acme 'U' type | SP1776 |
| 3/8" - 18 | SP1548 |
| 3/8" - 18 'J' type | SP1585 |
| 1/2" - 20 'R' type | 147514 |
| 3/8" - 18 (phos. coated) | 145496 |

8.923 NUT - Square

| | |
|---|---------|
| No. 10 - 24 Machine screw (cad or zinc) | 120619 |
| 1/4" - Clinch type 'AH' | 9419938 |
| 3/16" - 14 (cad or zinc) | SP2223 |
| 3/16" - 20 | SP2149 |

8.928 WASHER - Spring



| | |
|-----------------------------------|--------|
| 1/4" | SP1003 |
| .380" - .385" (cad or zinc) | 431534 |
| 3/16" | SP1328 |
| .594" x .812" x 0.10" | SP1956 |

8.929 WASHER - Flat



| | |
|---|---------|
| No. 8 Narrow (cad or zinc) | 9414106 |
| No. 10 | 9416128 |
| No. 10 (zinc) | 9417373 |
| 5/32" x 3/16" x .035" (zinc) | 446121 |
| 5/32" x 3/16" x .049" | 131014 |
| 1/4" x 3/16" x .049" (cad or zinc) | 446130 |
| 3/16" x 1/16" x .049" (cad or zinc) | 131015 |
| .20 x .80 x .035" | SP1438 |
| 13/64" x 15/32" x .049" (cad or zinc) | 446152 |
| 13/64" x 5/16" x .075" | SP1464 |
| 7/32" x 1/2" x .049" | SP1898 |
| 7/32" x 7/16" x .049" | 446161 |
| 7/32" x 1/2" x .049" (zinc) | 120391 |
| .218" x .68" x .035" (cad or zinc) | SP2122 |
| .219" x .500" x .049" (phos. coated) | 9421089 |
| .250" x .562" x .049" (zinc) | 120385 |
| 1/4" 'B' type, regular | 9419264 |
| 1/4" narrow | 9414320 |
| 1/4" narrow (zinc) | 9414920 |
| 17/64" x 5/16" x .049" (zinc) | 446188 |
| 17/64" x 3/4" x .075" | SP1107 |
| 5/32" x 5/16" x .065" | 103339 |
| 5/32" x 5/16" x .065" (phos. coated) | 118773 |

8.929 WASHER - Flat (contd.)

| | |
|---|---------|
| 5/32" x 5/16" .065" (cad or zinc) | 120392 |
| .281" x 1.30" x .035" (cad or zinc) | SP2150 |
| 5/16" x 3/4" x .065" (cad or zinc) | 120386 |
| 5/16" x 7/8" x .065" (cad or zinc) | 446354 |
| 5/16" Regular (cad or zinc) | 274865 |
| .320" x 1/2" x .059" | SP1877 |
| .339" x 1.12" x .089" | SP1806 |
| .34" x .76" x .105" | SP1470 |
| .34" x 1.00" x .075" (cad or zinc) | SP1445 |
| 11/32" x 15/16" x .065" (cad or zinc) | 120393 |
| 11/32" x 3/4" x .075" | SP1390 |
| 5/8" narrow (phos. coated) | 9419234 |
| 5/8" narrow (zinc) | 274517 |
| 5/8" x 3/4" x .065" | 446548 |
| 5/8" x 7/8" x .083" (cad or zinc) | 446363 |
| 3/8" x 1 1/4" x .10" | 9417793 |
| .38" x .62" x .059" | SP1507 |
| .385" x 1" x .105" (cad or zinc) | SP1612 |
| .385" x 1" x 1/8" | SP1882 |
| .39" x .75" x .050" (cad or zinc) | SP1820 |
| 23/64" x 1.40" x .062" (cad or zinc) | SP1659 |
| 23/64" x 3/4" x .083" (cad or zinc) | SP1357 |
| 13/32" x 1 1/8" x .065" (cad or zinc) | 120394 |
| 13/32" x 7/8" x .089" | SP1807 |
| .406" x .812" x .065" (phos. coated) | 118775 |
| .406" x .88" x .020" | SP2097 |
| 7/16" x 7/8" x .083" | 446212 |
| .4375" x 1.25" x .120" | SP1757 |
| .44" x .75" x .06" | SP1767 |
| .4531" x 1.94" x .105" (cad or zinc) | SP1968 |
| .469" x 1.25" x .125" hardened | SP1979 |
| 15/32" x 5/8" x .065" | 118776 |
| 15/32" x 5/8" x .065" (cad or zinc) | 120395 |
| 1/2" 'B' type narrow (cad or zinc) | 9417098 |
| 1/2" x 1 1/4" x .083" | 120389 |
| .53" x 1.06" x .085" | SP1528 |
| 17/32" x 1 1/4" x .109" | SP1899 |
| .531" x 1.75" x .150" | SP1861 |
| 5/8" x 1 1/8" x .095" (phos. coated) | 9429662 |

8.930 WASHER - Finish



| | |
|------------------------------|--------|
| No. 6 (cad or zinc) | 140239 |
| No. 6 (Bright nickel) | SP1050 |
| No. 8 | 140240 |
| No. 10 (Bright nickel) | SP1462 |

8.931 WASHER - Lock



| | |
|----------------------------|--------|
| No. 6 Light (zinc) | 131181 |
| No. 6 Medium | 106495 |
| No. 8 Medium (zinc) | 121841 |
| No. 10 Light (zinc) | 131183 |
| No. 10 Light (cad) | SP2442 |
| No. 10 Medium (zinc) | 120217 |
| No. 12 Medium | 121744 |

8.931 WASHER - Lock (contd.)

| | |
|----------------------------|--------|
| 1/4" Light (zinc) | 121637 |
| 1/4" Medium | 115109 |
| 1/4" Medium (zinc) | 120380 |
| 1/16" Light | 120379 |
| 1/16" Medium (zinc) | 120214 |
| 1/16" Medium (plain) | 103320 |
| 1/16" Heavy (zinc) | 120638 |
| 1/16" | 187119 |
| 1/32" Medium | SP1486 |
| 3/8" Medium (plain) | 103321 |
| 3/8" Medium (zinc) | 120382 |
| 3/8" Heavy | 108580 |
| 3/8" Heavy (zinc) | 131099 |
| 7/16" Medium (plain) | 103322 |
| 7/16" Medium (zinc) | 120383 |
| 7/16" Heavy | 103328 |
| 1/2" Medium (zinc) | 120384 |
| 1/2" Heavy | 103329 |
| 5/8" Medium (zinc) | 121574 |
| 1" Medium | 131046 |

8.932 WASHER - Shakeproof



| | |
|---|--------|
| No. 8 Internal tooth (cad or zinc) | 138530 |
| No. 8 External tooth (cad or zinc) | 121752 |
| No. 10 External tooth (cad or zinc) | 138479 |
| No. 10 Internal/external tooth | 178378 |
| 1/4" Internal tooth (cad or zinc) | 120423 |
| 1/4" External tooth (cad or zinc) | 121753 |
| 1/16" External tooth (cad or zinc) | 138485 |
| 1/16" External tooth (medium) | 114605 |
| 1/16" Csk. external tooth (cad or zinc) | 134512 |
| 1/16" Internal tooth (cad or zinc) | 138538 |
| 3/8" Internal tooth (cad or zinc) | 138542 |
| 3/8" External tooth (cad or zinc) | 138489 |
| 3/8" Csk. external tooth | 138617 |
| 7/16" External tooth (cad or zinc) | 136857 |
| 1" External tooth | 135629 |

8.938 PIN - Cotter



| | |
|---------------------------------|--------|
| 3/64" x 1/16" | 426706 |
| 1/16" x 3/16" | 119981 |
| 3/32" x 1/2" (Plated) | 119117 |
| 3/32" x 5/8" (Plated) | 137159 |
| 3/16" x 5/8" | 107762 |
| 3/32" x 3/4" | 103373 |
| 3/32" x 3/4" | 121222 |
| 3/32" x 1" | 103374 |
| 3/16" x 1" | 121224 |
| 1/8" x 5/8" (cad or zinc) | 426663 |
| 1/8" x 1" | 103385 |
| 1/8" x 1 1/4" | 103386 |

8.939 PIN - Dowel



| | |
|----------------------|--------|
| 3/16" x 3/8" | 141149 |
| 1/4" x 1/8" | 141192 |
| 1/4" x 1 1/8" | 141202 |
| 1/4" x 1 1/2" | 456722 |
| 1/16" x 1 1/8" | 141216 |
| 3/16" x 1/4" | 443770 |
| 3/16" x 3/8" | 141221 |
| 3/16" x 1" | 141223 |

8.940 PIN - Groove, taper



| | |
|---------------------------|--------|
| 3/32" x 5/8" (zinc) | 142953 |
| 3/32" x 1 1/4" | 103565 |

8.941 PIN - Spring

| | |
|-------------------------------|---------|
| 3/32" x 1/2" 'A' type | 455105 |
| 3/32" x 3/4" | 9414521 |
| 1/8" x 3/4" | 9415236 |
| 1/8" x 7/8" | 455862 |
| 1/8" x 1" | 453676 |
| 1/8" x 1 1/8" | 455277 |
| 3/32" x 1 1/8" | 9417504 |
| 3/32" x 3/2" | 9420737 |
| 3/16" x 3/4" | 454512 |
| 3/16" x 7/8" | 454563 |
| 3/16" x 1" | 455481 |
| 1/4" x 1 1/8" (Slotted) | 453670 |

8.942 PIN - Clevis

| | |
|---------------------|--------|
| .335" x .85" | SP1730 |
| 3/8" x 3/4" | SP1756 |
| 3/8" x .92" | SP1825 |
| .375" x 1.06" | SP1450 |
| .375" x 1.20" | SP2239 |
| 7/16" x .83" | SP1754 |
| .50" x 1.36" | SP2238 |

8.948 CLAMP - Hose

| | |
|--------------------------------|--------|
| .44" | SP1605 |
| 1/2" - 3/4" worm drive | SP1725 |
| .66" | SP1974 |
| 1 1/16" | 272846 |
| 3/4" | 272847 |
| .97" | SP1701 |
| .97" | SP1865 |
| 1.03" | SP1610 |
| 1 3/8" - 2.12 worm drive | SP1557 |
| 1 1/2" | SP1758 |
| 1 5/8" | SP1004 |
| 1.88" | SP1572 |
| 2.12" | SP1425 |
| 2.38" | SP1879 |
| 2 1/16" Preset | SP1609 |
| 2 3/4" worm drive | SP1543 |

8.949 CLIP - Lock
 $\frac{1}{8}$ " tubular SP1606

8.950 CLIP - Pipe or cable



$\frac{3}{16}$ " x $\frac{1}{4}$ " SP1837
 $\frac{3}{16}$ " x $\frac{5}{16}$ " SP2357
 $\frac{3}{16}$ " closed No. 3 120520
 $\frac{1}{4}$ " SP1774
 $\frac{5}{32}$ " x $\frac{3}{8}$ " SP1778
 $\frac{5}{16}$ " SP2367
 $\frac{3}{16}$ " Saddle type SP2331
 $\frac{5}{16}$ " SP1574
.325" SP1962
 $\frac{3}{8}$ " SP1779
 $\frac{3}{8}$ " SP1905
 $\frac{1}{2}$ " SP1735

8.951 COCK - Drain



$\frac{1}{4}$ " - 18 SP1717

8.954 EYELET

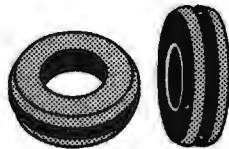
Coned SP1364

8.955 GASKET - Round closed



$\frac{1}{4}$ " Annular 113897

8.956 GROMMET



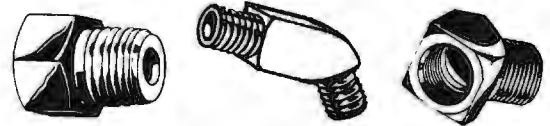
.19" SP1676
 $\frac{3}{16}$ " SP2326
.40" x .80" SP2048
.50" x .80" SP2049
1" x $\frac{1}{8}$ " SP1722
1" x .875" SP2134

8.960 KEY - Woodruff



$\frac{3}{16}$ " x $\frac{3}{4}$ " 106751
 $\frac{3}{16}$ " x $2\frac{1}{8}$ " 144542

8.963 FITTINGS - Tube and pipe



CONNECTOR - $\frac{3}{16}$ " inv. flared (Brass) 137404
CONNECTOR - $\frac{3}{16}$ " inv. flared (Brass) 187343
CONNECTOR - $\frac{3}{16}$ " inv. flared (Brass) 137406
CONNECTOR - $\frac{3}{16}$ " inv. flared (Steel) 145475
CONNECTOR - $\frac{1}{2}$ " inv. flared 425224
ELBOW - $\frac{3}{16}$ " - 45° 190338
ELBOW - $\frac{3}{16}$ " - 45° (Heavy series) 116341
ELBOW - $\frac{3}{16}$ " - 90° 143343
NUT - Ball sleeve tube $\frac{3}{16}$ " 120487
NUT - $\frac{3}{16}$ " inv. flared 137396
NUT - Ball sleeve tube $\frac{1}{4}$ " 114627
NUT - $\frac{1}{4}$ " inv. flared tube 137397
NUT - $\frac{3}{16}$ " inv. flared tube 137398
NUT - $\frac{3}{8}$ " inv. flared 137399
SLEEVE - Ball $\frac{3}{16}$ " 120488
UNION - $\frac{3}{16}$ " inv. flared SP2235
UNION - $\frac{3}{16}$ " inv. flared 137414
BUSH - Pipe reducing auto 444028

8.965 FUSE



3 amp. 9426341
15 amp. 9426333
25 amp. 9426332

8.967 RIVET



Button hd. solid $\frac{3}{16}$ " x $2\frac{1}{32}$ " SP1387
Csk. hd. solid .093" x .22" SP1515
Domed hd. break stem .125" x .290" SP2316
Flat hd. solid $\frac{1}{8}$ " x $\frac{1}{8}$ " SP1844
Flat hd. solid $\frac{1}{8}$ " x $\frac{1}{8}$ " 134794
Flat hd. solid $\frac{3}{16}$ " x $\frac{1}{4}$ " SP1863
Flat hd. solid $\frac{3}{16}$ " x $\frac{3}{8}$ " 111285
Flat hd. solid $\frac{1}{2}$ " x $\frac{3}{4}$ " 104251
Flat hd. solid $\frac{3}{16}$ " x .65" SP2281
Oval hd. tubular $\frac{1}{8}$ " x $\frac{3}{16}$ " 107285
Oval hd. semi-tubular $\frac{1}{8}$ " x $\frac{1}{32}$ " 191522

8.967 RIVET (contd.)

| | |
|---|--------|
| Oval hd. $\frac{1}{8}$ " x $\frac{1}{4}$ " | SP1143 |
| Oval hd. split $\frac{9}{64}$ " x $\frac{3}{4}$ " | 136669 |
| Oval hd. split $\frac{3}{16}$ " x $\frac{1}{2}$ " | 136678 |
| Truss hd. semi-tubular $\frac{3}{16}$ " x $\frac{1}{2}$ " | 137871 |
| Truss hd. tubular $\frac{9}{64}$ " x $\frac{5}{32}$ " | 137948 |

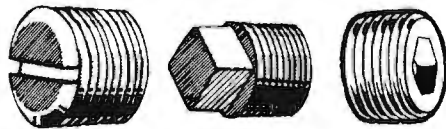
8.970 PLUG - Expansion

| | |
|-------------------------|---------|
| $\frac{5}{16}$ " | 9419378 |
| $1\frac{1}{16}$ " | SP1975 |

8.971 PLUG - Pipe

| | |
|--|--------|
| $\frac{1}{8}$ " hex. hd. | 444613 |
| $\frac{1}{8}$ " hex. hd. | 444612 |
| $\frac{1}{8}$ " hex. hd. | 444819 |
| $\frac{1}{4}$ " - 18 hex. hd. | 444619 |
| $\frac{3}{8}$ " - 18 hex. hd. | 444625 |
| $\frac{3}{8}$ " sq. socket | 444782 |
| $\frac{3}{8}$ " - 24 x $1\frac{1}{2}$ " hex. socket oval point | 138740 |
| $\frac{1}{2}$ " sq. hd. | 103868 |
| $\frac{1}{2}$ " hex. hd. | 444788 |

8.975 SCREW - Set



| | |
|--|---------|
| No. 6 - 32 x $\frac{1}{8}$ " cup point hex. socket | 147458 |
| No. 8 - 32 x $\frac{3}{16}$ " cone point hex. socket | 454649 |
| No. 10 - 24 x $\frac{1}{2}$ " | 456785 |
| $\frac{1}{4}$ " - 20 x $\frac{3}{16}$ " | 432750 |
| $\frac{3}{8}$ " - 16 x $\frac{7}{8}$ " | 9425450 |

8.977 SCREW - Sheet metal (Flat Head)



| | |
|---|---------|
| No. 4 - 24 x $\frac{1}{4}$ " cr. recess (cad or zinc) | 161340 |
| No. 4 - 24 x $\frac{3}{8}$ " (cad or zinc) | 9426487 |
| No. 4 - 40 x $\frac{5}{16}$ " cr. recess | 9417457 |
| No. 6 - 18 x $\frac{1}{2}$ " cr. recess (cad or zinc) | 161373 |
| No. 6 - 20 x $\frac{3}{8}$ " (cad or zinc) | 163098 |
| No. 6 - 20 x $\frac{1}{2}$ " cr. recess | 9416089 |
| No. 8 - 15 x $\frac{3}{8}$ " (cad or zinc) | 161422 |
| No. 8 - 18 x $\frac{3}{8}$ " cr. recess trim (zinc) | 9418794 |
| No. 8 - 18 x $\frac{1}{2}$ " (cad or zinc) | 9411652 |
| No. 8 - 18 x $\frac{1}{2}$ " (cad or zinc) | 9426506 |
| No. 10 - 12 x $\frac{5}{8}$ " cr. recess | 161439 |
| No. 10 - 16 x $\frac{1}{2}$ " cr. recess | 162683 |
| No. 10 - 16 x $\frac{1}{4}$ " tap. (cad or zinc) | 9414742 |
| No. 10 - 16 x $\frac{5}{8}$ " cr. recess tap. | 9414743 |
| No. 10 - 16 x $\frac{5}{8}$ " cr. recess (cad or zinc) | 162688 |
| No. 10 - 16 x $\frac{7}{8}$ " cr. recess | 162696 |
| No. 10 - 16 x 1" cr. recess | 162701 |
| No. 10 - 16 x $1\frac{1}{4}$ " cr. recess (cad or zinc) | 162703 |
| $\frac{1}{4}$ " - 20 x $\frac{3}{4}$ " cr. recess | SP1848 |

8.977 SCREW - Sheet metal (Oval Head)



| | |
|---|---------|
| No. 6 - 18 x $\frac{5}{8}$ " cr. recess (cad or zinc) | 162292 |
| No. 6 - 18 x $\frac{7}{8}$ " (cad or zinc) | 162296 |
| No. 6 - 20 x $\frac{3}{8}$ " cr. recess (cad or zinc) | 163401 |
| No. 6 - 20 x $\frac{1}{2}$ " cr. recess (cad or zinc) | 163404 |
| No. 8 x $\frac{1}{2}$ " 'B' type slotted (cad or zinc) | 125706 |
| No. 8 - 15 x $\frac{1}{2}$ " cr. recess | 162396 |
| No. 8 - 15 x $\frac{1}{2}$ " slotted | 142220 |
| No. 8 - 15 x $\frac{5}{8}$ " cr. recess (cad or zinc) | 162397 |
| No. 8 - 18 x $\frac{1}{2}$ " cr. recess | 9417325 |
| No. 8 - 18 x $\frac{5}{8}$ " cr. recess (cad or zinc) | 9418622 |
| No. 8 - 18 x $\frac{3}{4}$ " cr. recess (cad or zinc) | 163450 |
| No. 10 - 12 x $\frac{3}{4}$ " cr. recess (chrome brt.) | 162474 |
| No. 10 - 16 x $\frac{1}{2}$ " cr. recess | 163467 |
| No. 10 - 16 x $\frac{1}{2}$ " cr. recess tap. (cad or zinc) | 9425507 |
| No. 10 - 24 x $\frac{3}{8}$ " (cad or zinc) | 156950 |

8.977 SCREW - Sheet metal (Hexagon Head)



| | |
|---|---------|
| No. 8 - 18 x $\frac{3}{8}$ " (cad or zinc) | 9415191 |
| No. 10 - 16 x $\frac{1}{4}$ " tap. (cad or zinc) | 455404 |
| No. 10 - 16 x $\frac{3}{8}$ " (cad or zinc) | 451790 |
| No. 10 - 16 x $\frac{3}{8}$ " washer hd. | 9420453 |
| No. 10 - 16 x $\frac{1}{2}$ " washer hd. (phos. coated) | 9425111 |
| No. 10 - 24 x $\frac{1}{2}$ " tap. (cad or zinc) | 9428168 |
| $\frac{1}{4}$ " - 14 x 1" | 9422176 |
| $\frac{1}{4}$ " - 28 x $\frac{3}{4}$ " tap. | 171041 |
| $\frac{3}{16}$ " - 18 x $\frac{5}{8}$ " flanged hd. | SP2092 |
| $\frac{3}{16}$ " - 18 x $\frac{3}{4}$ " (cad or zinc) | SP2241 |
| $\frac{3}{16}$ " - 18 x $\frac{7}{8}$ " (phos. coated) | 9433975 |

8.977 SCREW - Sheet metal (Pan Head)

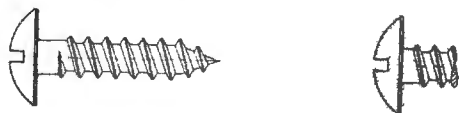


| | |
|--|---------|
| No. 4 - 24 x $\frac{1}{4}$ " cr. recess | 161752 |
| No. 4 - 24 x $\frac{1}{2}$ " cr. recess | 163024 |
| No. 4 - 24 x $\frac{3}{8}$ " cr. recess tap. (cad or zinc) | 161755 |
| No. 6 - 18 x $\frac{3}{8}$ " (cad or zinc) | 161790 |
| No. 6 - 18 x $\frac{3}{8}$ " cr. recess | 186412 |
| No. 6 - 18 x $\frac{5}{8}$ " (cad or zinc) | 161801 |
| No. 6 - 20 x $\frac{1}{4}$ " (cad or zinc) | 9411529 |
| No. 6 - 20 x $\frac{3}{8}$ " cr. recess (cad or zinc) | 190075 |
| No. 6 - 20 x $\frac{3}{8}$ " | 163098 |
| No. 6 - 20 x $\frac{3}{8}$ " cr. recess | 9416136 |
| No. 6 - 20 x $\frac{1}{16}$ " cr. recess | 9428353 |
| No. 6 - 20 x $\frac{1}{2}$ " cr. recess (zinc) | 9428647 |
| No. 6 - 20 x $\frac{1}{2}$ " (phos.) | 9425763 |
| No. 6 - 20 x $\frac{5}{8}$ " | SP2172 |
| No. 6 - 20 x $\frac{5}{8}$ " cr. recess | 9420511 |
| No. 6 - 32 x $\frac{1}{2}$ " cr. recess | 9419292 |
| No. 8 - 15 x $\frac{1}{2}$ " 'A' type | 161860 |

8.977 SCREW - Sheet metal (Pan Head) (contd.)

| | |
|---|---------|
| No. 8 - 15 x 1/2" cr. recess tap | SP1824 |
| No. 8 - 15 x 5/8" | 161869 |
| No. 8 - 15 x 3/4" cr. recess tap | 161871 |
| No. 8 - 18 x 1/4" cr. recess (cad or zinc) | 9420908 |
| No. 8 - 18 x 3/16" cr. recess (cad or zinc) | 274762 |
| No. 8 - 18 x 3/8" slotted (cad or zinc) | 128270 |
| No. 8 - 18 x 3/8" cr. recess (cad or zinc) | 163158 |
| No. 8 - 18 x 3/8" cr. recess (cad or zinc) | 9411532 |
| No. 8 - 18 x 3/8" cr. recess (cad or zinc) | 9414711 |
| No. 8 - 18 x 3/8" cr. recess tap. (chrome) | 163160 |
| No. 8 - 18 x 3/8" cr. recess (cad or zinc) | 273445 |
| No. 8 - 18 x 1/2" (cad or zinc) | 9414712 |
| No. 8 - 18 x 1/2" cr. recess (cad or zinc) | 273708 |
| No. 8 - 18 x .437" cr. recess (cad or zinc) | SP2256 |
| No. 8 - 18 x 1/2" cr. recess | 163162 |
| No. 8 - 18 x 1/2" cr. recess (phos.) | 9421137 |
| No. 8 - 18 x 3/8" cr. recess (cad or zinc) | 9414713 |
| No. 8 - 18 x 3/8" cr. recess (cad or zinc) | 9413586 |
| No. 8 - 18 x 3/8" cr. recess (zinc) | 9429003 |
| No. 8 - 18 x 3/4" (cad or zinc) | 9414714 |
| No. 8 - 18 x 7/8" (cad or zinc) | 9414715 |
| No. 8 - 18 x 1 1/4" cr. recess | 9414717 |
| No. 8 - 32 x 1/2" (cad or zinc) | 449809 |
| No. 8 - 32 x .35" cr. recess (cad.) | SP1867 |
| No. 8 - 32 x .38" cr. recess (phos. coated) | SP1948 |
| No. 8 - 32 x 1/2" cr. recess tap. (phos. coated) | SP1768 |
| No. 8 - 32 x 1/2" cr. recess tap. | 9419633 |
| No. 8 - 32 x 1/2" cr. recess | 449813 |
| No. 8 - 32 x 3/8" cr. recess (phos. coated) | 9423551 |
| No. 8 - 32 x .88" cr. recess (phos. coated) | SP2202 |
| No. 10 - 12 x 3/8" (cad or zinc) | 161892 |
| No. 10 - 12 x 1/2" slotted 'A' type (cad or zinc) ... | 144811 |
| No. 10 - 12 x 1/2" | 161895 |
| No. 10 - 12 x 5/8" (cad or zinc) | 161901 |
| No. 10 - 16 x 3/8" slotted | 145189 |
| No. 10 - 16 x 3/8" tap. (cad or zinc) | 9411535 |
| No. 10 - 16 x 3/8" cr. recess (cad or zinc) | 163210 |
| No. 10 - 16 x 1/2" slotted 'B' type | 145193 |
| No. 10 - 16 x 1/2" cr. recess tap. (cad or zinc) | 273446 |
| No. 10 - 16 x 1/2" cr. recess (cad or zinc) | 9414722 |
| No. 10 - 16 x 5/8" cr. recess tap. | 9414723 |
| No. 10 - 16 x 3/4" cr. recess | 273447 |
| No. 10 - 16 x 3/4" cr. recess (cad or zinc) | 9415465 |
| No. 10 - 16 x 7/8" slotted | 9414725 |
| No. 10 - 24 x 7/16" (phos. coated) | SP2165 |
| No. 10 - 24 x 5/8" slotted | 9416197 |
| No. 10 - 24 x 1 1/2" (cad or zinc) | 159967 |
| No. 10 - 32 x 7/16" cr. recess tap. | 9416316 |
| No. 12 - 14 x 1/2" cr. recess | 9417408 |
| No. 14 - 10 x 2" cr. recess (cad or zinc) | 162113 |
| No. 14 - 14 x 1/2" slotted | 221154 |
| 1/4" - 14 x 3/4" (phos. coated) | 9422037 |
| 1/4" - 14 x 5/8" (cad or zinc) | 9416642 |

8.977 SCREW - Sheet metal (Truss Head)



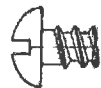
No. 10 - 16 x 1/2" cr. recess (cad or zinc) 9416643

8.977 SCREW - Sheet metal (Washer Head)



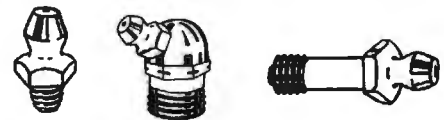
No. 8 - 18 x 1/2" 'AB' type (cad or zinc) SP1855

8.977 SCREW - Sheet metal (Round Head)



| | |
|---|---------|
| No. 6 - 18 x 1/2" (cad or zinc) | SP1815 |
| No. 8 - 15 x 1/2" washer face cr. recess (cad or zinc) | SP1490 |
| No. 8 - 18 x 3/16" washer face (sealed) | SP2192 |
| No. 8 - 18 x 3/8" washer face cr. recess (zinc) | 4403686 |
| No. 8 - 18 x 7/16" washer face cr. recess | SP2127 |
| No. 8 - 18 x 1/2" (cr. recess) (sealed) | SP2251 |
| No. 8 - 18 x 5/8" washer face cr. recess (phos. coated) | SP2111 |
| No. 8 - 18 x 5/8" washer face cr. recess (cad or zinc) | SP1884 |
| No. 8 - 18 x 5/8" washer face cr. recess | SP2246 |
| No. 8 - 18 x 3/4" (sealed) | SP2112 |
| No. 8 - 18 x 1 1/2" washer face cr. recess (phos. coated) | SP2270 |
| No. 10 - 16 x 1/4" (cad or zinc) | 455404 |
| No. 10 - 16 x 1/2" washer face (phos. coated) | SP2242 |
| No. 10 - 24 x 1 1/4" (cad or zinc) | 132859 |
| No. 12 - 14 x 1/2" washer face cr. recess | SP2082 |

8.984 FITTING - Lubrication



| | |
|---------------------------------|---------|
| 1/8" Straight 'C' type | M33112 |
| 1/4" straight 'C' type | M33106 |
| 1/4" - 28 x 1/2" Straight | 9411027 |
| 1/4" - 28 Elbow 45° | 9417891 |
| 1/4" - 28 Elbow 90° | 9417892 |

8.987 FASTENER - Curtain



| | |
|---|--------|
| No. 8 - 3/8" Fastener 'A' type self tapping | SP1017 |
| STUD No. 10 x .38" self tapping | SP1535 |
| STUD - Fastener clinch type 'A' | SP1226 |
| SOCKET - Fastener type 'D' | SP2061 |
| SOCKET - Fastener type 'A' | SP1018 |
| PLATE - Fastener type 'D' | SP2060 |
| BUTTON - 1/2" Barrel fastener type 'A' | SP1020 |
| EYELET - 1/4" Barrel fastener type 'A' | SP1238 |

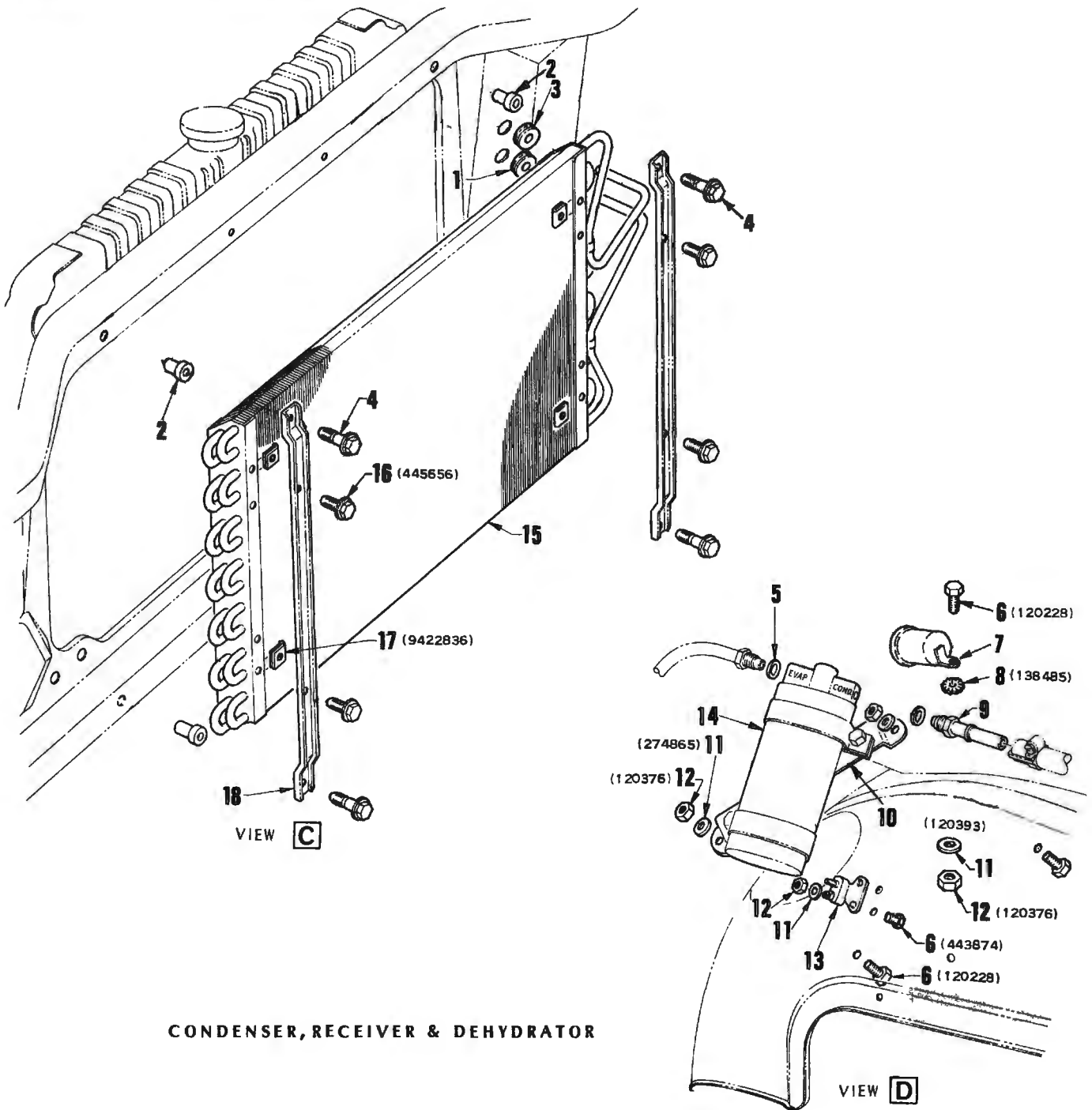
8.991 BULB



| | |
|------------------------------|---------|
| 12-16 V., 0.1 amp. | SP1477 |
| 12-16 V., 2 c.p. - s.c. | 9417863 |
| 12-16 V., 2 c.p. | 9421330 |

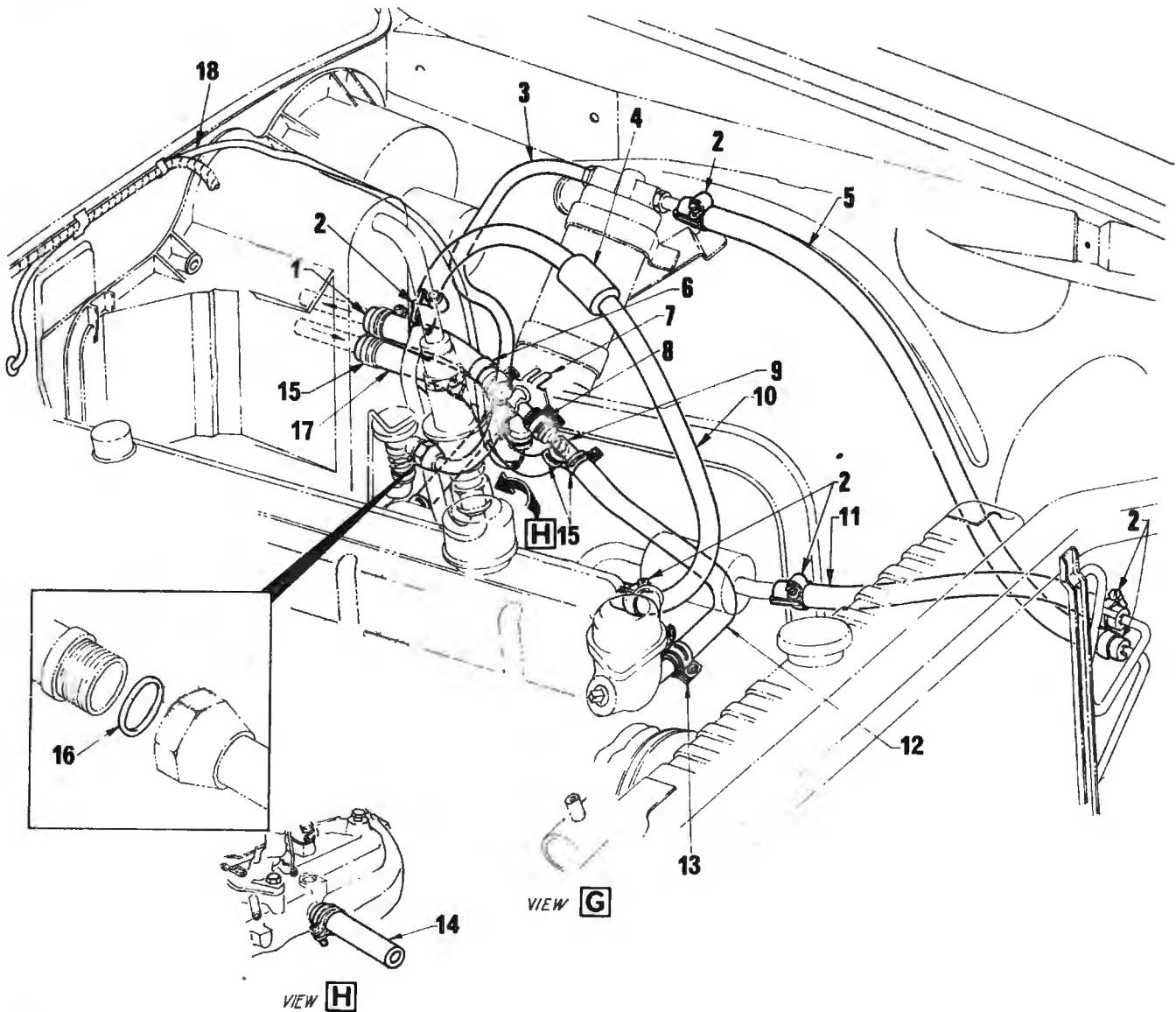
8.991 BULB (contd.)

| | |
|--|---------|
| 12-16 V., 2.2 Watt - s.c. | 7117579 |
| 12-16 V., 3 Watt - Festoon | SP1903 |
| 12-16 V., 5 Watt - Festoon | SP1932 |
| 12-16 V., 6 Watt - s.c. | SP1467 |
| 12-16 V., 12 c.p. - Festoon | 9414045 |
| 12-16 V., 15 c.p. - s.c. | 455490 |
| 12-16 V., 21 c.p. - s.c. | 142456 |
| 12-16 V., 32 c.p. - s.c. | 9417866 |
| 12-16 V., 32 c.p. - 4 c.p. - d.c. | 9417867 |



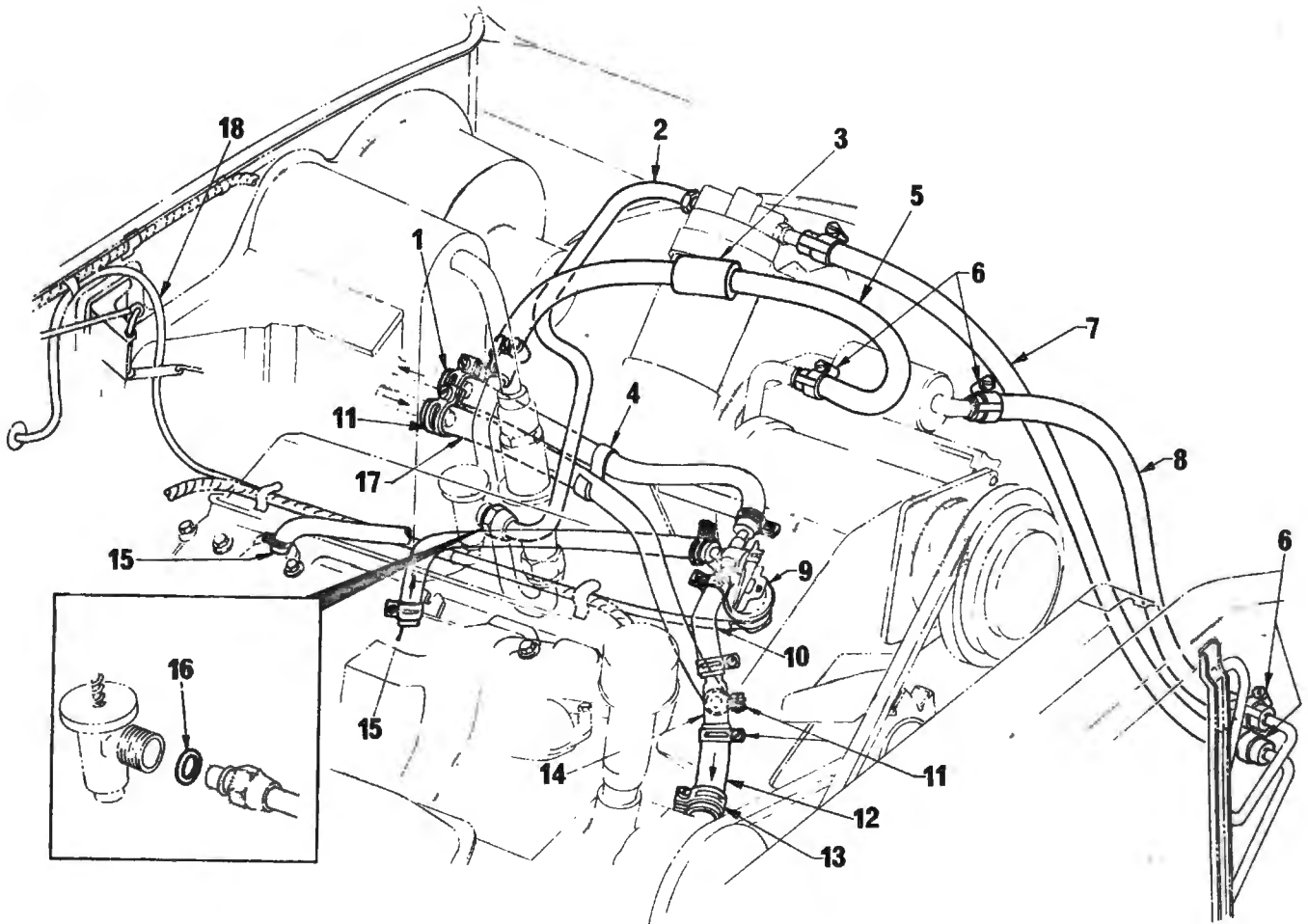
CONDENSER, RECEIVER & DEHYDRATOR

| ILLUS. REF. NO. | PART NAME | GROUP | ILLUS. REF. NO. | PART NAME | GROUP |
|-----------------|---|-------|-----------------|------------------------------------|-------|
| 1. | GROMMET - Condenser outlet pipe | 9.220 | 11. | WASHER - Flat | 8.929 |
| 2. | NUT - Condenser to support panel | 9.190 | 12. | NUT - Hexagon | 8.915 |
| 3. | GROMMET - Condenser inlet pipe | 9.220 | 13. | CIRCUIT BREAKER ASSY. | 9.275 |
| 4. | BOLT - Condenser to support panel | 9.190 | 14. | RECEIVER & DEHYDRATOR ASSY. | 9.195 |
| 5. | 'O' RING - Receiver dehydrator inlet & outlet | 9.220 | 15. | CONDENSER ASSY. | 9.190 |
| 6. | BOLT - Hexagon head | 8.900 | 16. | SCREW - Sheet metal | 8.977 |
| 7. | RELAY ASSY. | 9.275 | 17. | NUT - Stamped | 8.921 |
| 8. | WASHER - Shakeproof | 8.932 | 18. | SUPPORT - Condenser mounting | 9.190 |
| 9. | TUBE ASSY. - Receiver & dehydrator inlet | 9.196 | | | |
| 10. | SUPPORT - Receiver & dehydrator | 9.195 | | | |



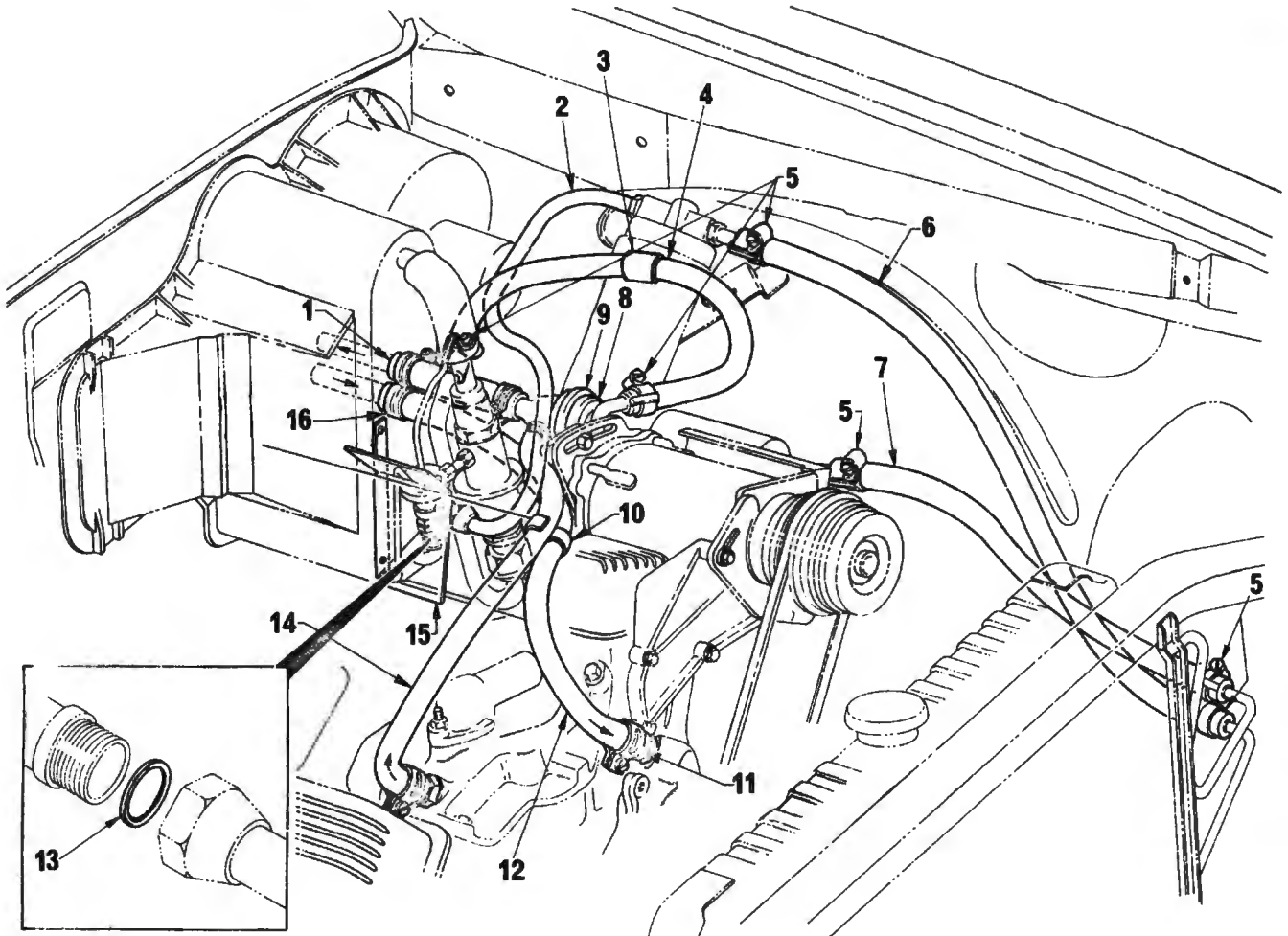
AIR CONDITIONING HOSES
173, 202 Eng.

| ILLUS. REF. NO. | PART NAME | GROUP | ILLUS. REF. NO. | PART NAME | GROUP |
|-----------------|--|-------|-----------------|---|-------|
| 1. | HOSE - Water valve to Air Cond. heater inlet | 9.220 | 10. | HOSE - P.O.A.S.T. valve to compressor | 9.220 |
| 2. | CLAMP - Hose | 9.220 | 11. | HOSE - Compressor to condenser | 9.220 |
| 3. | TUBE ASSY. - Dehydrator to modulex valve | 9.220 | 12. | HOSE - Thermostat housing inlet to tee | 9.220 |
| 4. | SLEEVE - Heater outlet hose | 9.220 | 13. | CLAMP - Heater hose .97" dia. | 9.220 |
| 5. | HOSE - Condenser to receiver dehydrator | 9.220 | 14. | HOSE - Water valve inlet to manifold outlet | 9.220 |
| 6. | CLIP - Heater inlet to outlet hose | 9.220 | 15. | CLAMP - Heater hose 1.12" dia. | 9.220 |
| 7. | VALVE ASSY. - Heater water | 9.275 | 16. | "O" RING GASKET - Modulex valve inlet | 9.220 |
| 8. | HOSE - Tee to water valve | 9.220 | 17. | HOSE - Air Cond. heater outlet to tee | 9.220 |
| 9. | TEE - Water hose connection | 9.220 | 18. | HOSE - Heat valve to water valve 77" | 9.281 |



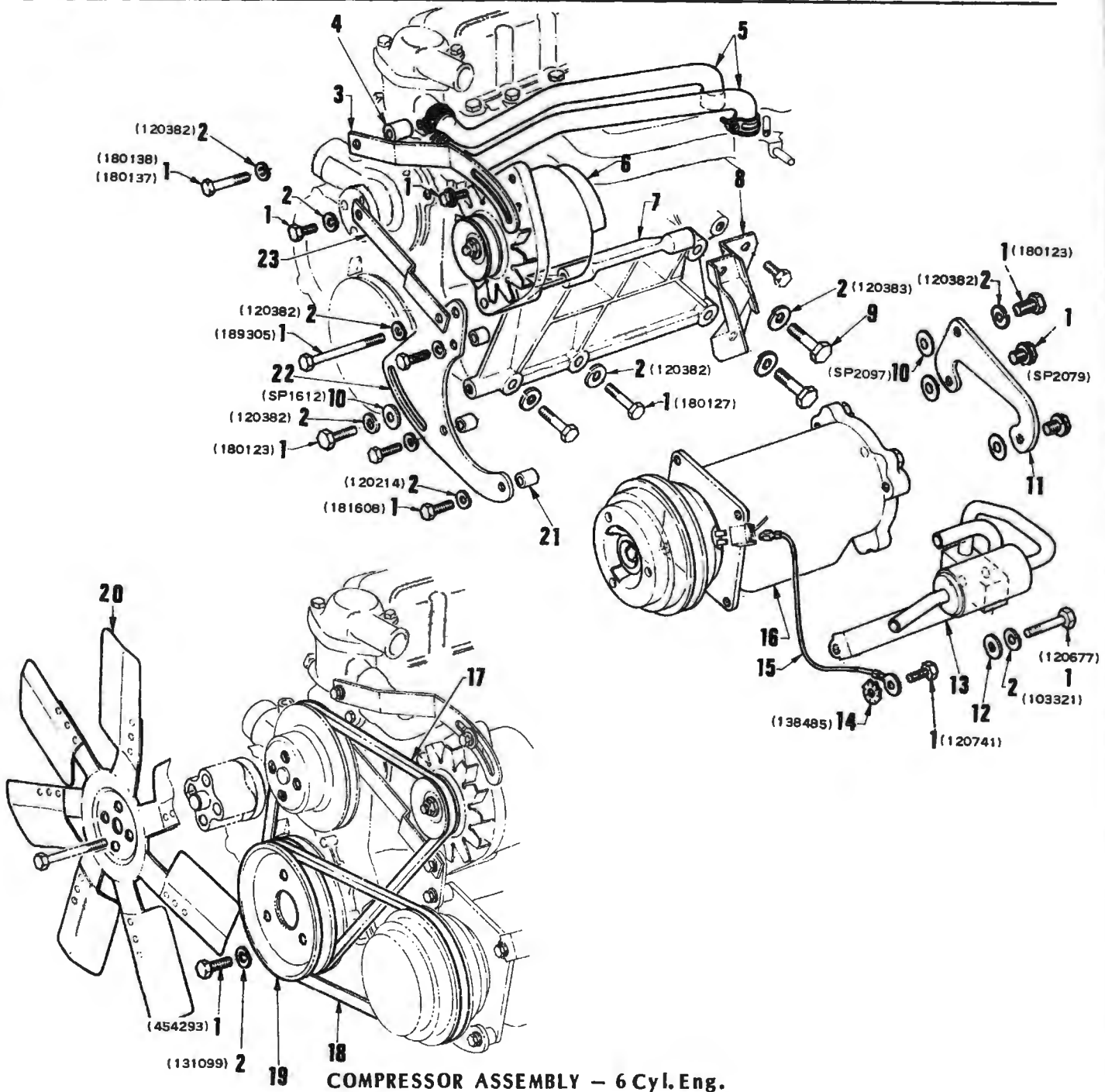
AIR CONDITIONING HOSES
253,308 Eng.

| ILLUS. REF. NO. | PART NAME | GROUP | ILLUS. REF. NO. | PART NAME | GROUP |
|-----------------|--|-------|-----------------|---|-------|
| 1. | HOSE - Water valve to Air Cond. heater inlet | 9.220 | 10. | HOSE - Tee to water valve | 9.220 |
| 2. | TUBE ASSY. - Dehydrator to modulex valve | 9.220 | 11. | CLAMP - Heater hose 1.12" dia. | 9.220 |
| 3. | SLEEVE - Heater outlet hose | 9.220 | 12. | HOSE - Water pump inlet to tee | 9.220 |
| 4. | CLIP - Heater inlet to outlet hose | 9.220 | 13. | CLAMP - Heater hose .97" dia. | 9.220 |
| 5. | HOSE - P.O.A.S.T. valve to compressor | 9.220 | 14. | TEE - Water valve connection | 9.220 |
| 6. | CLAMP - Hose | 9.220 | 15. | HOSE - Water valve inlet to manifold outlet | 9.220 |
| 7. | HOSE - Condenser to receiver dehydrator | 9.220 | 16. | "O" RING GASKET - Modulex valve inlet | 9.220 |
| 8. | HOSE - Compressor to condenser | 9.220 | 17. | HOSE - Air Cond. heater outlet to tee | 9.220 |
| 9. | VALVE ASSY. - Heater water | 9.275 | 18. | HOSE - Heat valve to water valve 77" | 9.281 |

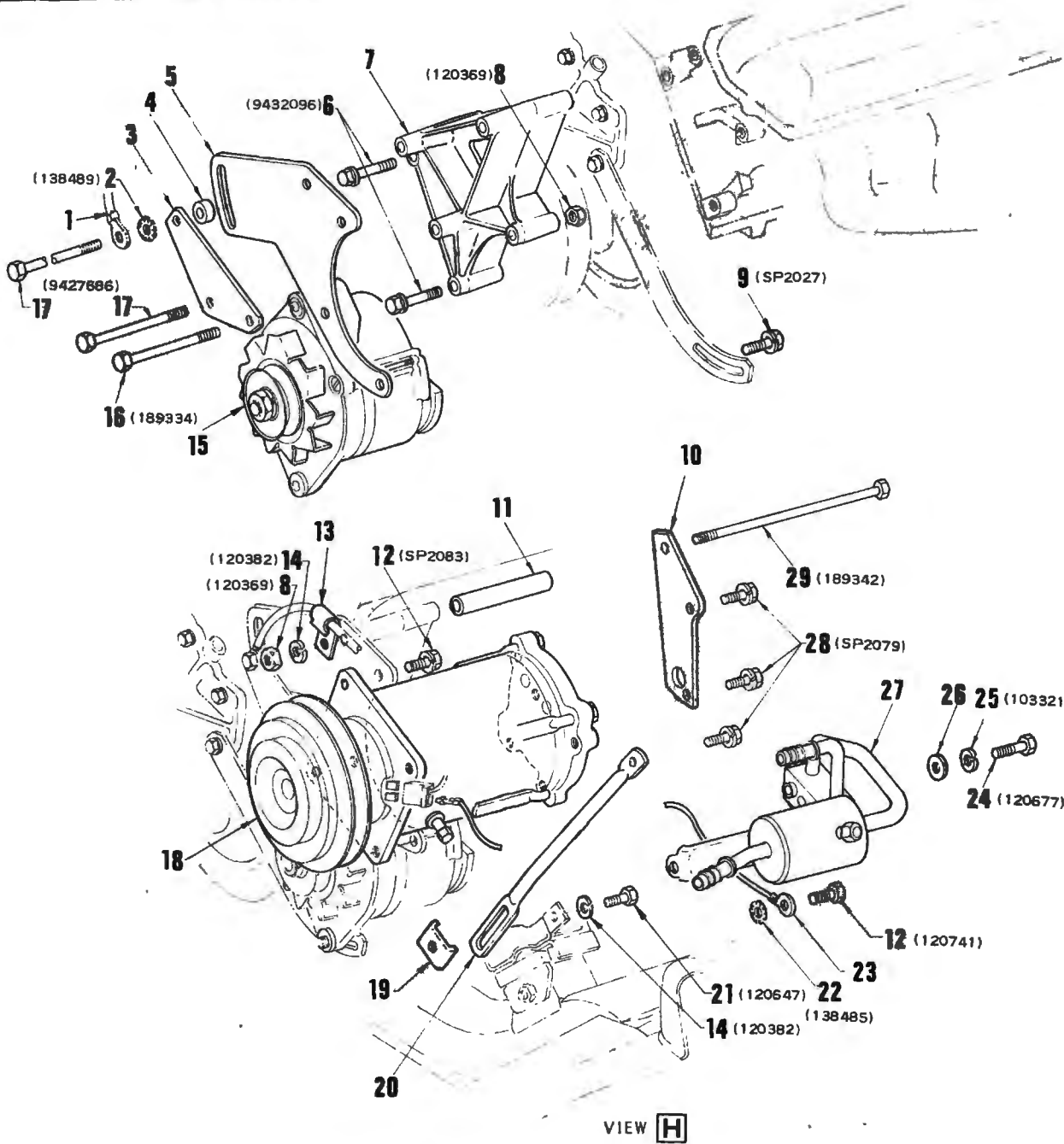


**AIR CONDITIONING HOSES
350 Eng.**

| ILLUS. REF. NO. | PART NAME | GROUP | ILLUS. REF. NO. | PART NAME | GROUP |
|--------------------|--|-------|--------------------|--|-------|
| 1. | HOSE - Water valve to heater | 9.220 | 9. | INSULATOR - Water valve | 9.275 |
| 2. | TUBE ASSY. - Dehydrator to modulex valve | 9.220 | 10. | CLIP - Heater inlet to outlet hose | 9.220 |
| 3. | SLEEVE - Heater outlet hose | 9.220 | 11. | CLAMP - Heater hose .97" dia. | 9.220 |
| 4. | HOSE - P.O.A.S.T. valve to compressor .. | 9.220 | 12. | HOSE - Heater outlet | 9.220 |
| 5. | CLAMP - Hose | 9.220 | 13. | 'O' RING GASKET - Modulex valve inlet .. | 9.220 |
| 6. | HOSE - Condenser to receiver dehydrator .. | 9.220 | 14. | HOSE - Engine to water valve | 9.220 |
| 7. | HOSE - Compressor to condenser | 9.220 | 15. | SHIELD - Heat | 9.262 |
| 8. | VALVE ASSY. - Heater water | 9.275 | 16. | CLAMP - Heater hose 1.12" dia. | 9.220 |

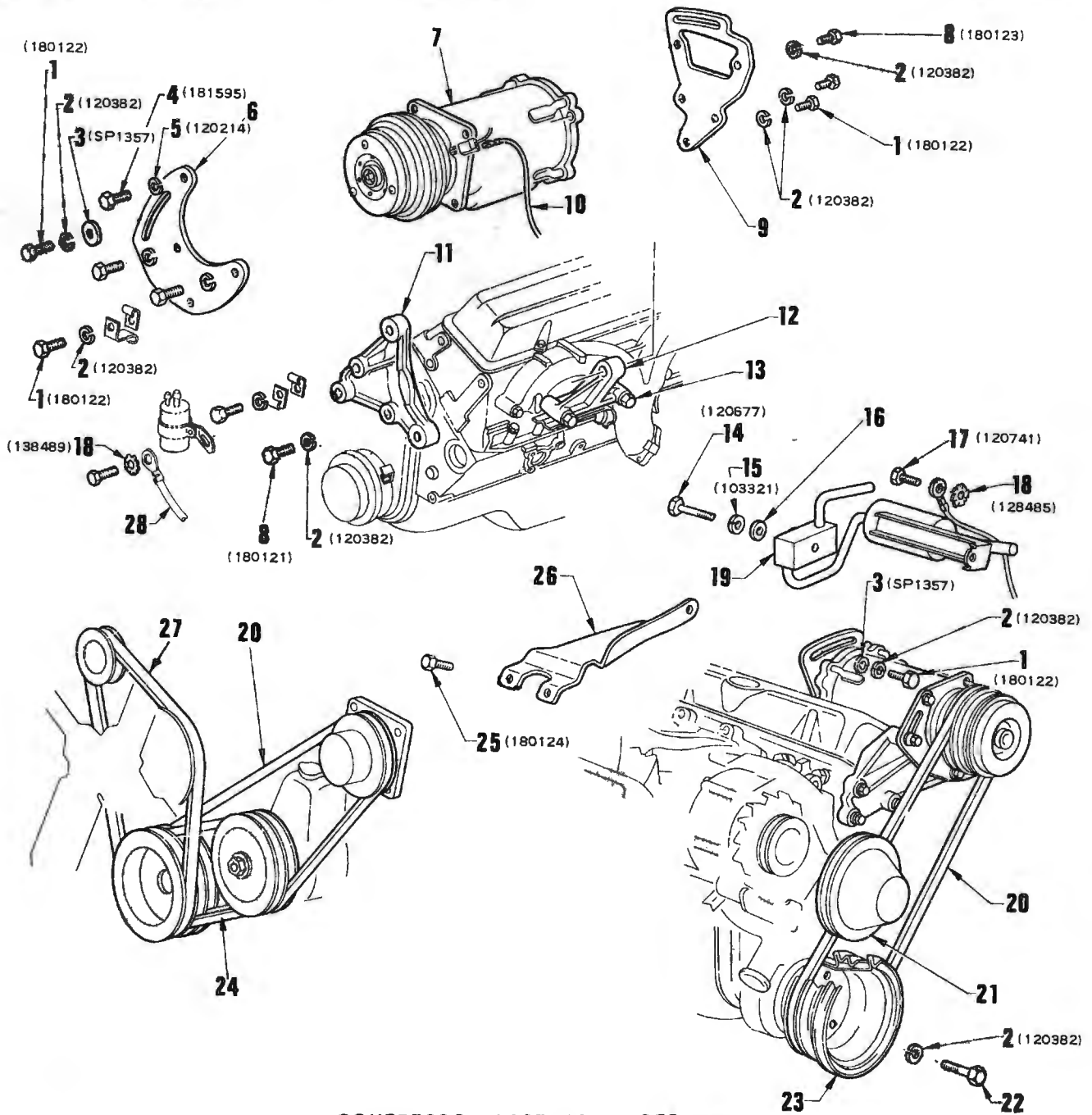


| ILLUS. REF. NO. | PART NAME | GROUP | ILLUS. REF. NO. | PART NAME | GROUP |
|-----------------|--|-------|-----------------|--|-------|
| 1. | BOLT - Hexagon head | 8.900 | 12. | WASHER - Muffler to compressor | 9.189 |
| 2. | WASHER - Lock | 9.931 | 13. | MUFFLER ASSY. - Air conditioner | 9.189 |
| 3. | BRACE - Generator | 2.317 | 14. | WASHER - Shakeproof | 8.932 |
| 4. | SPACER - Brace to thermostat housing .. | 2.317 | 15. | WIRE ASSY. - Compressor ground | 9.170 |
| 5. | HOSE - Inlet manifold water | 3.260 | 16. | COMPRESSOR ASSY. - Air conditioner ... | 9.170 |
| 6. | GENERATOR ASSY. | 2.275 | 17. | BELT - Fan & generator | 1.066 |
| 7. | SUPPORT | 9.171 | 18. | BELT - Compressor | 9.180 |
| 8. | BRACKET ASSY. - Front mounting | 0.027 | 19. | PULLEY - Crankshaft | 0.659 |
| 9. | BOLT - Engine mtg. & compressor bracket to engine | 9.171 | 20. | BLADE ASSY. - Fan | 1.064 |
| 10. | WASHER - Flat | 8.929 | 21. | SPACER - Front bracket | 9.171 |
| 11. | BRACKET - Rear | 9.171 | 22. | BRACKET - Front | 9.171 |
| | | | 23. | BRACE - Front | 9.171 |



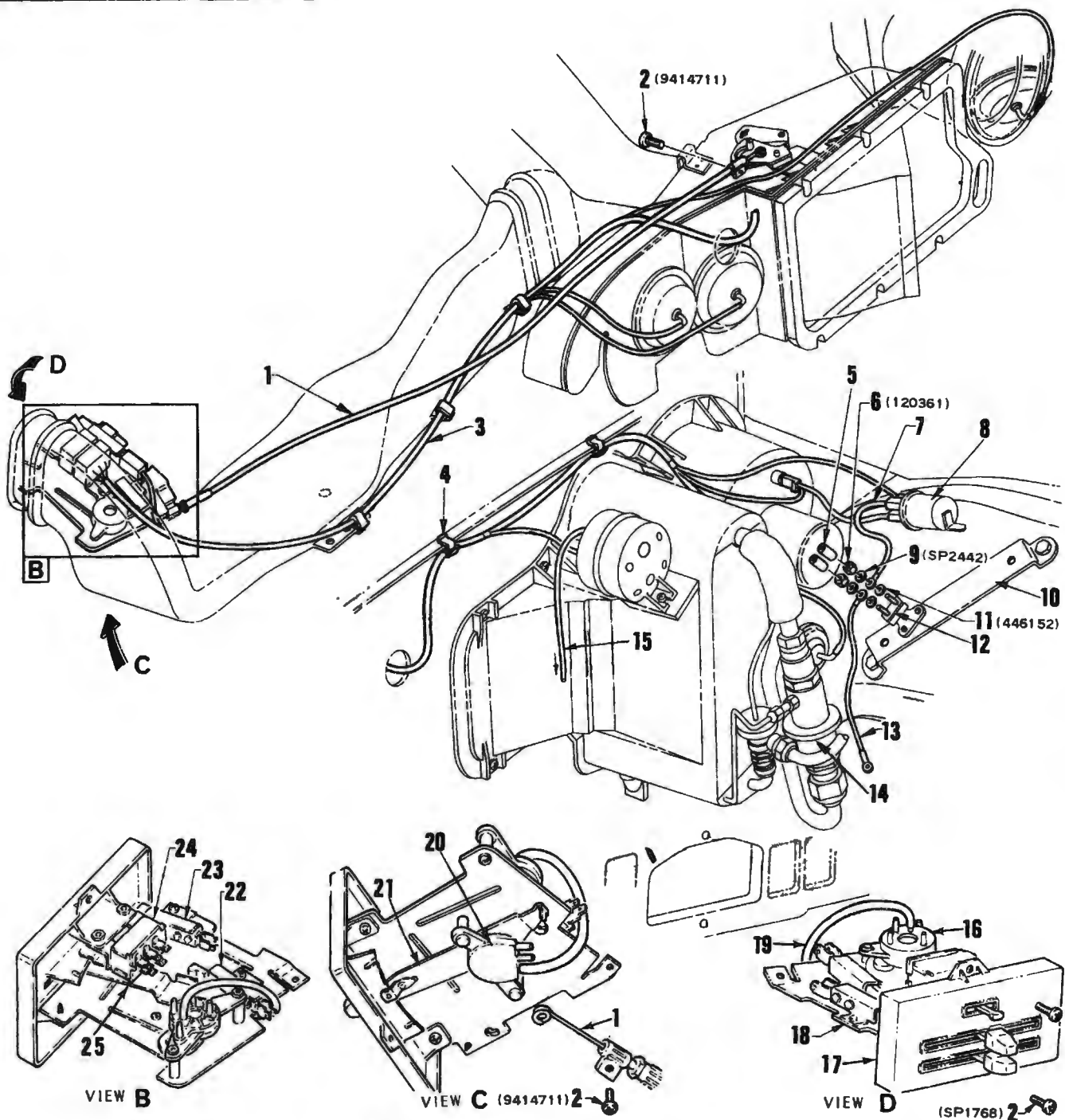
COMPRESSOR ASSEMBLY – 253,308 Eng.

| ILLUS. REF. NO. | PART NAME | GROUP | ILLUS. REF. NO. | PART NAME | GROUP |
|-----------------|---|-------|-----------------|---|-------|
| 1. | CABLE ASSY. – Battery ground | 2.341 | 16. | BOLT – 3/8" – 24 x 4.1/2" (zinc) | 8.900 |
| 2. | WASHER – 3/8" external tooth | 8.932 | 17. | BOLT – 3/8" – 16 x 4.7/8" (cad or zinc) | 8.900 |
| 3. | BRACKET – Generator mounting front | 2.277 | 18. | COMPRESSOR ASSY. | 9.170 |
| 4. | SPACER – Support | 9.171 | 19. | NUT – Brace | 9.171 |
| 5. | BRACKET – Front | 9.171 | 20. | BRACE – Rear | 9.171 |
| 6. | BOLT – 3/8" – 16 x 2.7/16" | 8.900 | 21. | BOLT – 3/8" – 24 x 1" (zinc) | 8.900 |
| 7. | SUPPORT | 9.171 | 22. | WASHER – 5/16" external tooth | 8.932 |
| 8. | NUT – 3/8" – 24 light | 8.915 | 23. | WIRE ASSY. – Compressor ground | 9.170 |
| 9. | BOLT – 5/16" – 18 x 1.1/4" w/washer(zinc) | 8.900 | 24. | BOLT – 3/8" – 24 x 1.1/2" | 8.900 |
| 10. | BRACKET – Rear | 9.171 | 25. | WASHER – Lock, 3/8" | 8.931 |
| 11. | SPACER – Bracket to support | 9.171 | 26. | WASHER – Muffler to compressor | 9.189 |
| 12. | BOLT – 5/16" – 24 x 3/4" (zinc) | 8.900 | 27. | MUFFLER ASSY. – Air conditioner | 9.189 |
| 13. | CLIP – Cable to air compressor | 2.341 | 28. | BOLT – 3/8" – 16 x 1.1/8" w/lock washer | 8.900 |
| 14. | WASHER – Lock, 3/8" med. (cad. or zinc.) | 8.931 | 29. | BOLT – 3/8" – 24 x 8.3/4" | 8.900 |
| 15. | GENERATOR ASSY. | 2.275 | | | |



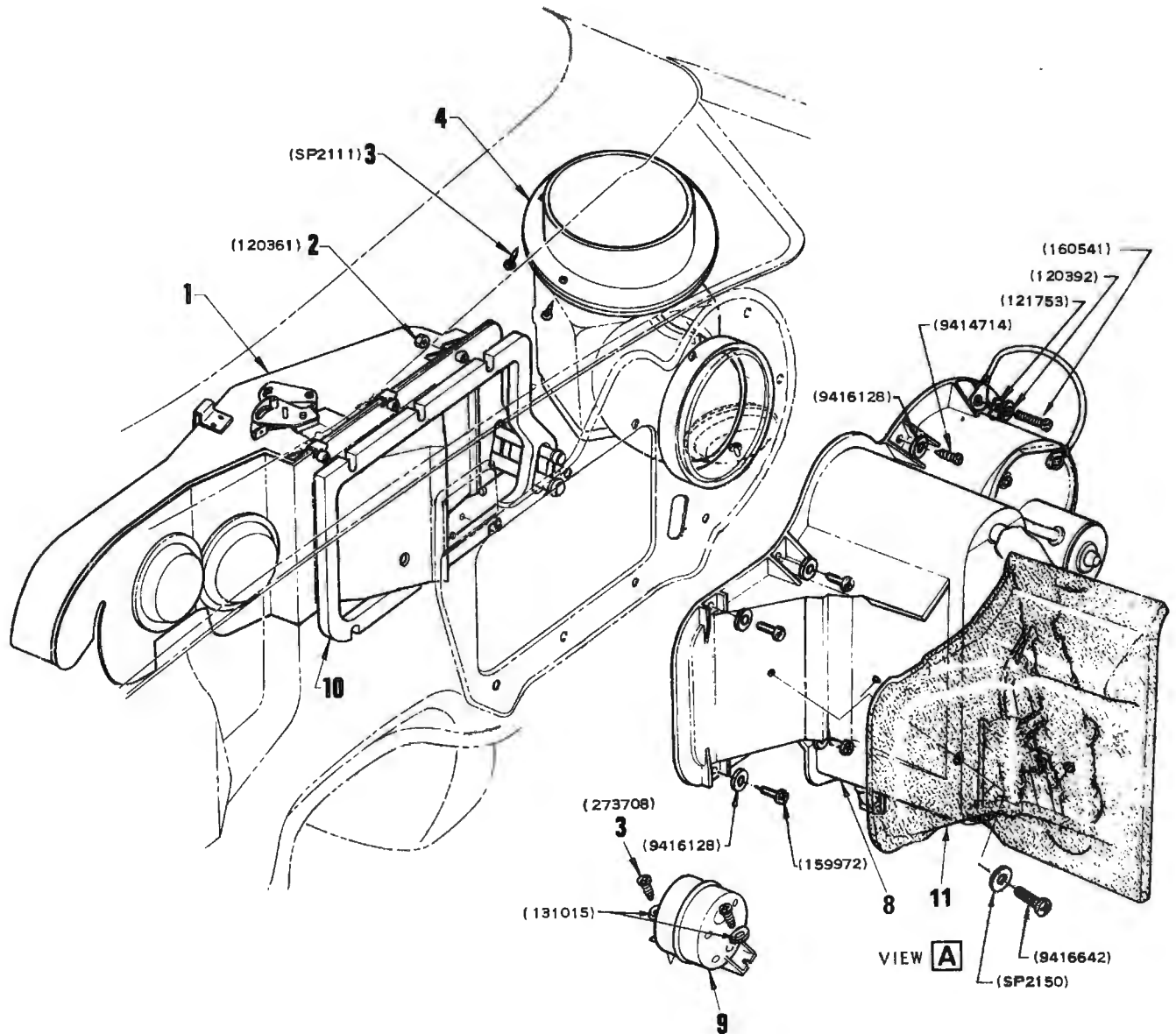
COMPRESSOR ASSEMBLY — 350 Eng.

| ILLUS. REF. NO. | PART NAME | GROUP | ILLUS. REF. NO. | PART NAME | GROUP |
|-----------------|--|-------|-----------------|---|-------|
| 1. | BOLT — 3/8" — 16 x 1" (cad or zinc) | 8.900 | 15. | WASHER — Lock, 3/8" | 8.931 |
| 2. | WASHER — Lock, 3/8" med. (cad or zinc) | 8.931 | 16. | WASHER — Muffler to compressor | 9.189 |
| 3. | WASHER — Flat, 25/64" x 3/4" x .083" .. | 8.929 | 17. | BOLT — 5/16" — 24 x 3/4" (cad or zinc) | 8.900 |
| 4. | BOLT — 5/16 — 24 x 3/4" (cad or zinc) | 8.900 | 18. | WASHER — 5/16" external tooth | 8.932 |
| 5. | WASHER — Lock, 5/16" med. (cad or zinc) .. | 8.931 | 19. | MUFFLER ASSY. — Air conditioner | 9.189 |
| 6. | BRACKET — Front | 9.171 | 20. | BELT — Compressor | 9.180 |
| 7. | COMPRESSOR ASSY. | 9.170 | 21. | PULLEY ASSY. — Water pump & fan | 1.062 |
| 8. | BOLT — 3/8" — 16 x 1.1/8" (cad or zinc).. | 8.900 | 22. | BOLT — Pulley to crankshaft | 0.659 |
| 9. | BRACKET — Rear | 9.171 | 23. | PULLEY ASSY. — Crankshaft | 0.659 |
| 10. | WIRE ASSY. — Compressor ground | 9.170 | 24. | BELT — Power steering pump | 6.660 |
| 11. | SUPPORT — Front | 9.171 | 25. | BOLT — 3/8" — 16 x 1.1/4" (cad or zinc)... | 8.900 |
| 12. | SUPPORT — Rear | 9.171 | 26. | BRACE — Rear | 9.171 |
| 13. | BOLT — Rear support & manifold | 9.171 | 27. | BELT — Fan & generator | 1.066 |
| 14. | BOLT — 3/8" — 24 x 1.1/2" (cad or zinc).. | 8.900 | 28. | CABLE ASSY. — Battery ground | 2.341 |



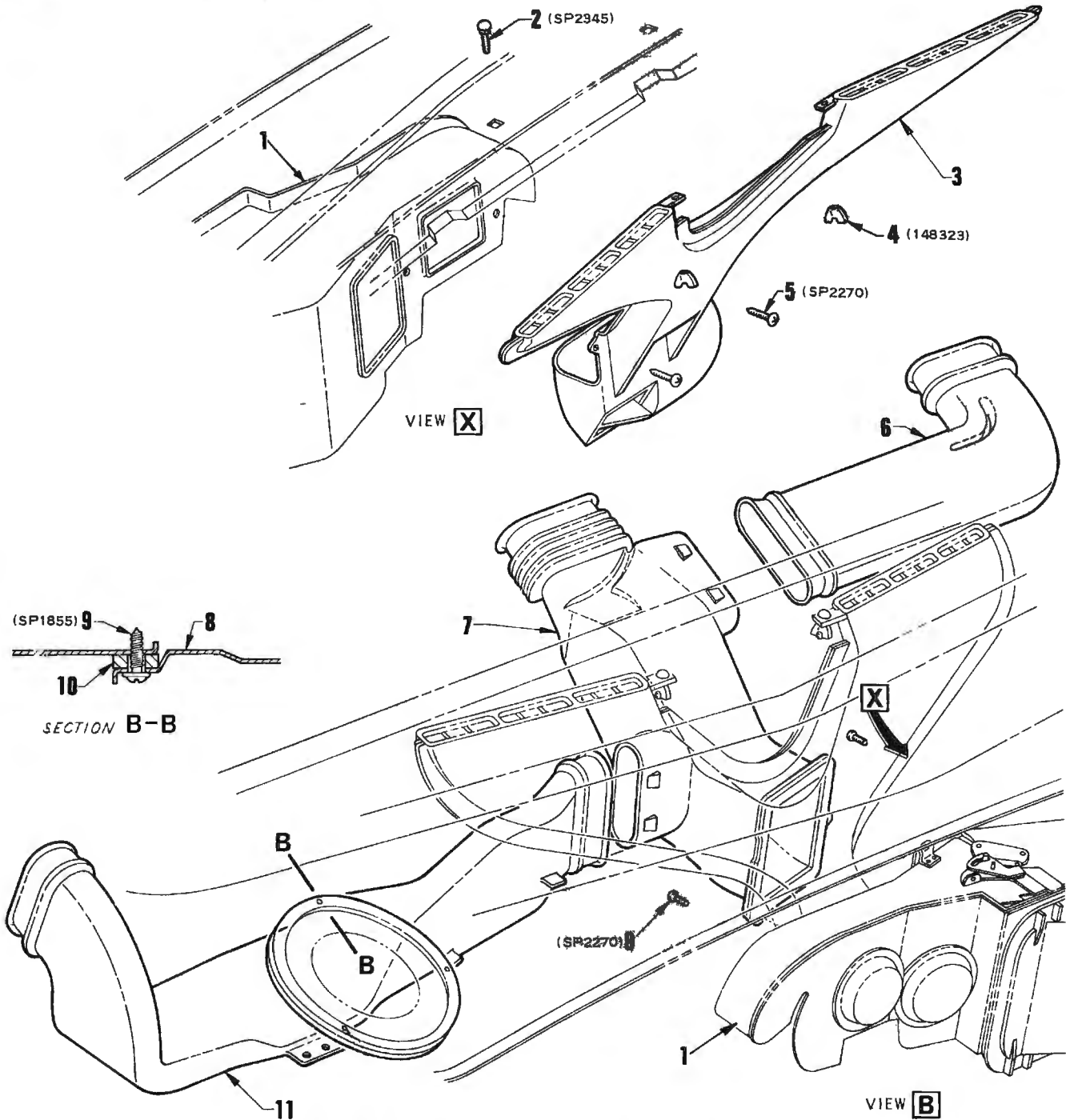
AIR CONDITIONING CONTROLS

| ILLUS. REF. NO. | PART NAME | GROUP | ILLUS. REF. NO. | PART NAME | GROUP |
|-----------------|---|-------|-----------------|---|-------|
| 1. | CABLE - Heat control | 9.788 | 14. | VALVE - P.O.A.S.T. | 9.198 |
| 2. | SCREW - Sheet metal | 8.977 | 15. | HOSE - Engine to vacuum tank | 9.281 |
| 3. | HARNESS ASSY. - Wiring & vacuum hose | 9.276 | 16. | VALVE ASSY. - Mode vacuum | 9.786 |
| 4. | CLIP - Harness to dash panel | 9.276 | 17. | ESCUTCHEON - Control | 9.788 |
| 5. | SLEEVE | 9.276 | 18. | BASE - Control | 9.788 |
| 6. | NUT - Hexagon | 8.915 | 19. | HOSE - Mode vac. valve to heat vac. valve | 9.281 |
| 7. | LEAD ASSY. - Circuit breaker to relay .. | 9.276 | 20. | VALVE ASSY. - Heat vacuum | 9.786 |
| 8. | RELAY ASSY. | 9.275 | 21. | LEVER ASSY. - Heat control | 9.788 |
| 9. | WASHER - Finish | 8.930 | 22. | SWITCH ASSY. - Compressor micro | 9.275 |
| 10. | SUPPORT - Receiver & dehydrator | 9.195 | 23. | SWITCH ASSY. - Master micro | 9.275 |
| 11. | WASHER - Flat | 8.929 | 24. | SWITCH ASSY - Fan | 9.275 |
| 12. | CIRCUIT BREAKER ASSY. | 9.275 | 25. | LEVER ASSY. - Mode control | 9.788 |
| 13. | LEAD ASSY. - Starter motor to circuit breaker | 9.276 | | | |



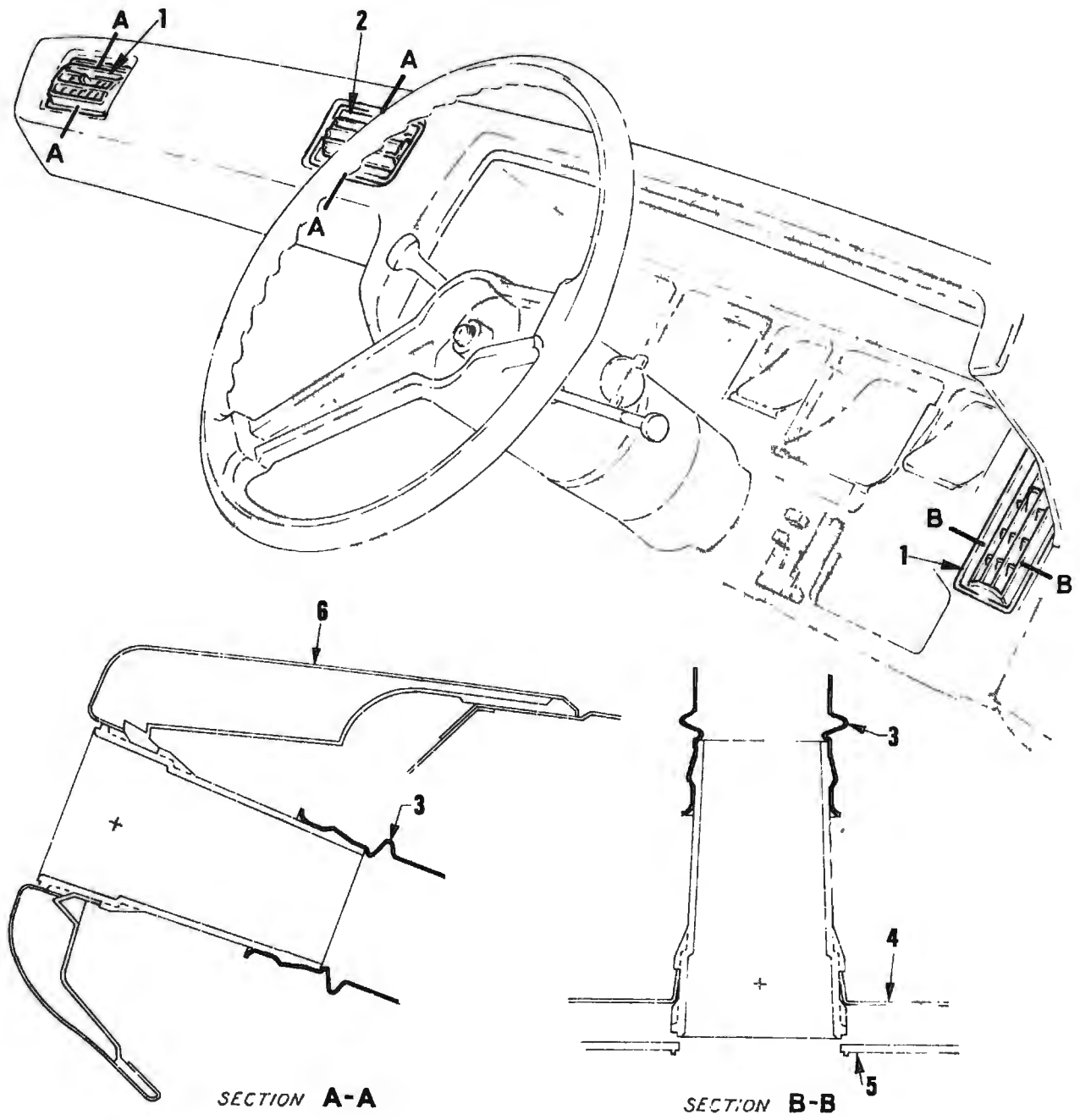
AIR CONDITIONING HOUSING and DUCT

| ILLUS. REF. NO. | PART NAME | GROUP | ILLUS. REF. NO. | PART NAME | GROUP |
|-----------------|--------------------------------|-------|-----------------|---------------------------------------|-------|
| 1. | DUCT - Heat distribution | 9.262 | 6. | BOLT - Pan head | 8.910 |
| 2. | NUT - Hexagon | 8.915 | 7. | MOTOR - Evaporator blower | 9.215 |
| 3. | SCREW - Sheet metal | 8.977 | 8. | HOUSING - Evaporator & blower | 9.169 |
| 4. | INLET ASSY. - Air | 9.211 | 9. | TANK - Vacuum | 9.281 |
| 5. | WASHER - Shakeproof | 8.932 | 10. | GASKET - Distribution duct | 9.262 |
| | | | 11. | INSULATOR - Evaporator & blower | 9.169 |



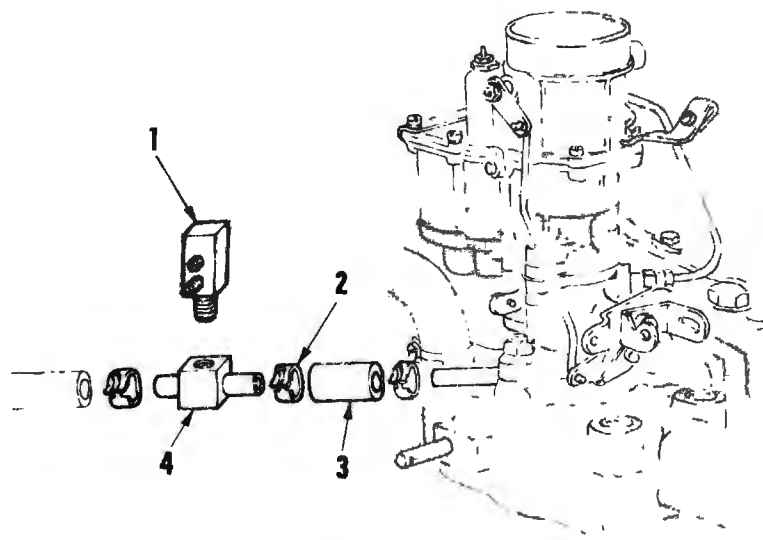
AIR CONDITIONING HEAT & DEMIST DUCTS

| ILLUS. REF. NO. | PART NAME | GROUP | ILLUS. REF. NO. | PART NAME | GROUP |
|-----------------|--|-------|-----------------|---|-------|
| 1. | DUCT - Heat distribution | 9.262 | 7. | DUCT ASSY. - Mode distribution | 9.262 |
| 2. | BOLT - Round head carriage | 8.903 | 8. | COVER - Plenum chamber outlet, Right Side | 9.263 |
| 3. | DUCT ASSY. - Demist distribution | 9.262 | 9. | SCREW - Sheet metal | 8.977 |
| 4. | NUT - Wing | 8.920 | 10. | SEAL - Plenum chamber outlet cover | 9.263 |
| 5. | BOLT - Pan head | 8.910 | 11. | DUCT - Outlet, right side | 9.262 |
| 6. | DUCT - Outlet, left side | 9.262 | | | |



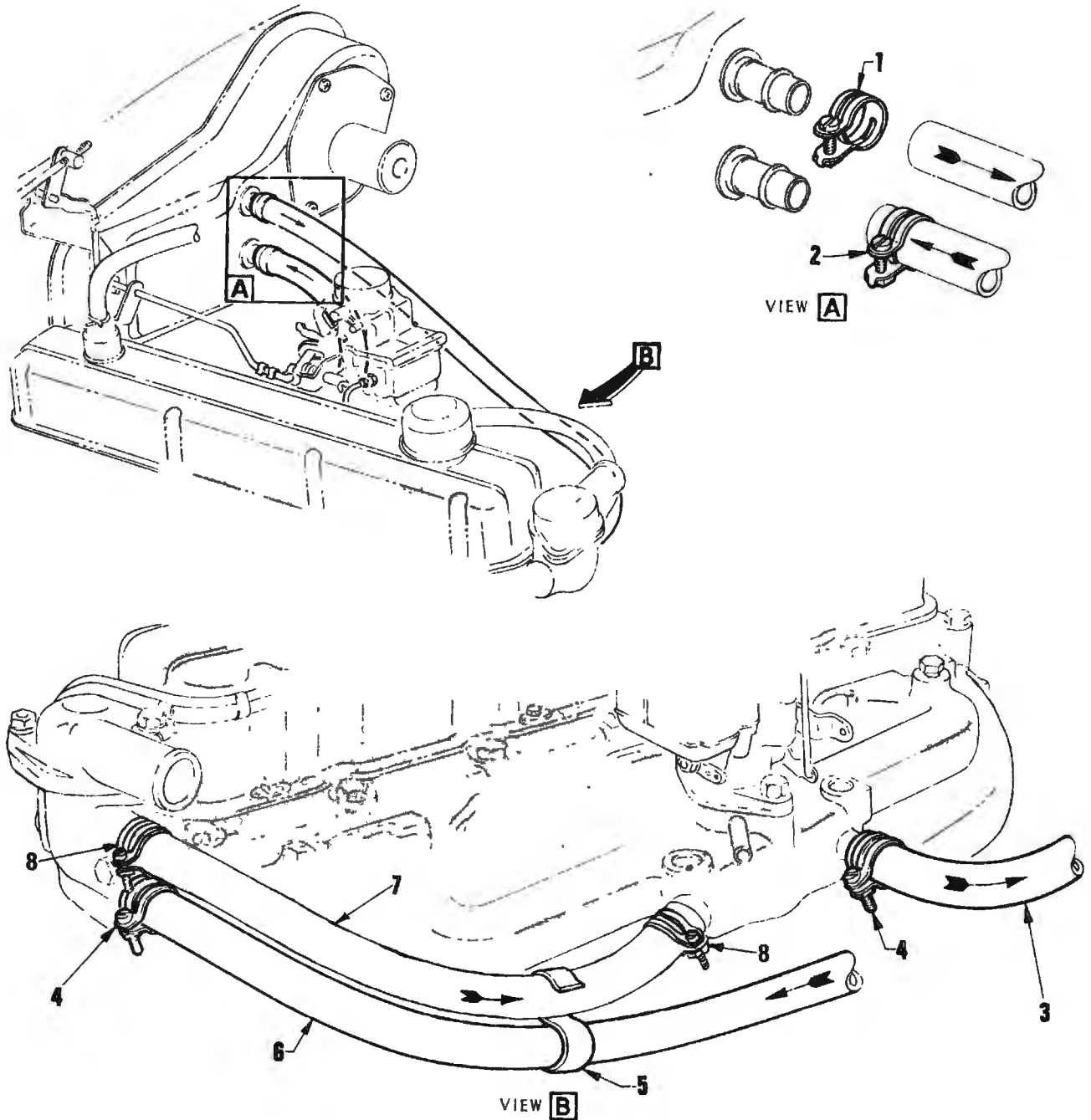
AIR CONDITIONING OUTLET

| ILLUS. REF. NO. | PART NAME | GROUP | ILLUS. REF. NO. | PART NAME | GROUP |
|-----------------|-----------------------------------|-------|-----------------|------------------------------|--------|
| 1. | OUTLET ASSY. - Vent, side | 9.262 | 4. | CARRIER - Instrument | 2.515 |
| 2. | OUTLET ASSY. - Vent, centre | 9.262 | 5. | FACIA - Instrument | 2.515 |
| 3. | DUCT - Outlet | 9.262 | 6. | PAD - Instrument panel | 14.655 |



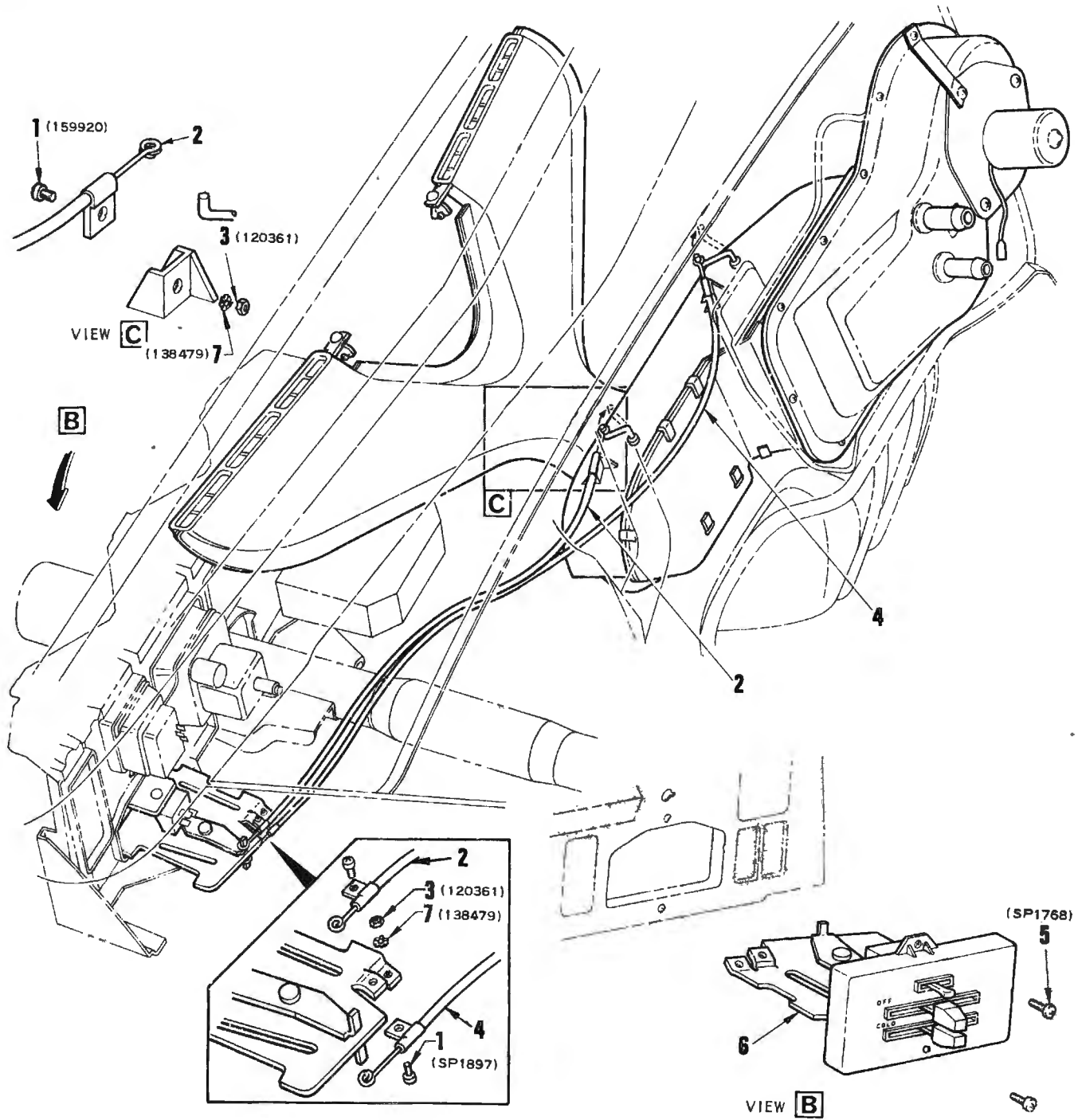
AIR BLEED VALVE

| ILLUS. REF. NO. | PART NAME | GROUP | ILLUS. REF. NO. | PART NAME | GROUP |
|-----------------|----------------------------------|-------|-----------------|-----------------------------|-------|
| 1. | VALVE ASSEMBLY – Air bleed | 1.762 | 3. | HOSE | 1.762 |
| 2. | CLAMP – Hose | 1.762 | 4. | TEE – Air bleed valve | 1.762 |



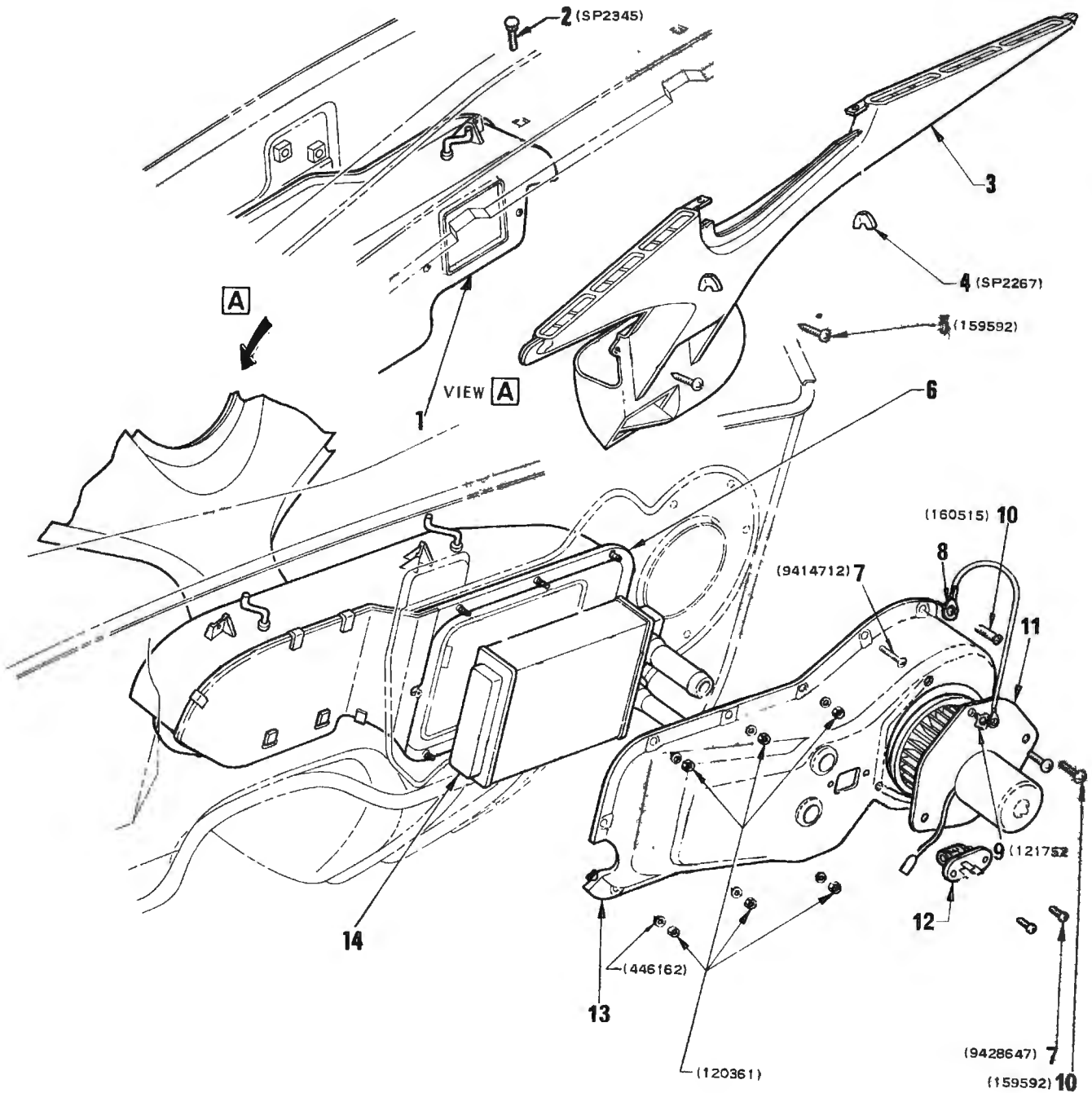
HEATER HOSES

| ILLUS. REF. NO. | PART NAME | GROUP | ILLUS. REF. NO. | PART NAME | GROUP |
|-----------------|---------------------------|-------|-----------------|--|-------|
| 1. | CLAMP - Hose, 1.12" | 9.779 | 5. | CLIP - Inlet hose to outlet hose | 9.779 |
| 2. | CLAMP - Hose, .97" | 9.779 | 6. | HOSE - Heater outlet | 9.779 |
| 3. | HOSE - Heater inlet | 9.779 | 7. | HOSE - Inlet manifold water | 3.260 |
| 4. | CLAMP - Hose, 1.03" | 9.779 | 8. | CLAMP - Hose | 3.260 |



HEATER CONTROLS

| ILLUS. REF. NO. | PART NAME | GROUP | ILLUS. REF. NO. | PART NAME | GROUP |
|-----------------|------------------------------|-------|-----------------|------------------------------|-------|
| 1. | BOLT - Pan head | 8.910 | 5. | SCREW - Sheet metal | 8.977 |
| 2. | CABLE - Mode control | 9.779 | 6. | CONTROL ASSY. - Heater | 9.779 |
| 3. | NUT - Hexagon | 8.915 | 7. | WASHER - Shakeproof | 8.932 |
| 4. | CABLE - Heater control | 9.779 | | | |



HEATER and DEMISTER

| ILLUS. REF. NO. | PART NAME | GROUP | ILLUS. REF. NO. | PART NAME | GROUP |
|-----------------|---------------------------------------|-------|-----------------|---|-------|
| 1. | DUCT - Heat distribution | 9.779 | 8. | STRAP - Earthing | 9.779 |
| 2. | BOLT - Round head carriage | 8.903 | 9. | WASHER - Shakeproof | 8.932 |
| 3. | DUCT ASSY. - Demist Distribution..... | 9.779 | 10. | BOLT - Pan head | 8.910 |
| 4. | NUT - Wing | 8.920 | 11. | MOTOR ASSY. - Blower | 9.779 |
| 5. | BOLT - Pan head | 8.910 | 12. | RESISTOR ASSY. - Blower motor | 9.779 |
| 6. | DUCT ASSY. - Heat distribution | 9.779 | 13. | HOUSING ASSY. - Blower & air duct | 9.779 |
| 7. | SCREW - Sheet metal | 8.977 | 14. | RADIATOR ASSY. | 9.779 |

"HQ" PARTS CATALOGUE

| GROUP | DESCRIPTION | MODEL | SIDE | PART No. | QTY. |
|--------------|--|--------------------|------|-------------------------|------|
| 9.127 | LACING – Hood ledge | | | | |
| | LACING | ALL | | 2811864 | 1 |
| | RETAINER – Lacing | ALL | | 2811817 | 2 |
| 9.169 | EVAPORATOR and BLOWER ASSEMBLY – Air Conditioner | | | | |
| | HOUSING – Evaporator and blower | ALL | | 2815701 | 1 |
| | PLATE ASSY. – Front | ALL | | 2815709 | 1 |
| | PLATE ASSY. – Rear | ALL | | (²⁸ 2815706 | 1 |
| | PLATE ASSY. – Rear | ALL | | (²⁸ 9928492 | 1 |
| | NUT – 'J' type No. 10 – 24 | ALL | | SP2230 | 4 |
| | GASKET – Evaporator inlet | ALL | | 2817877 | 1 |
| | GASKET – Evaporator outlet | ALL | | 2817876 | 1 |
| | SEAL – Evaporator to housing | ALL | | 2815703 | 1 |
| | SEAL – Evaporator to rear plate | ALL | | (²⁸ 2815703 | 2 |
| | SEAL – Evaporator to rear plate | ALL | | (²⁸ 9928493 | 2 |
| | SEAL – Evaporator side | ALL | | 2815704 | 2 |
| | SEAL – Evaporator bleed pipe | ALL | | (²⁸ 2815705 | 1 |
| | INSULATOR – Evaporator & blower | ALL | | 9928884 | 1 |
| 9.170 | COMPRESSOR ASSEMBLY – Air Conditioner | | | | |
| | COMPRESSOR ASSEMBLY | ALL | | 1131046 | 1 |
| | 'O' RING – Compressor to muffler | ALL | | 5887997 | 2 |
| | WIRE ASSEMBLY – Compressor ground | ALL | | 2818819 | 1 |
| 9.171 | BRACKET, SUPPORT, BRACE – Air Conditioner compressor | | | | |
| | BRACKET – Front | 202 Eng. | | 2814838 | 1 |
| | BRACKET – Rear | 202 Eng. | | 2814841 | 1 |
| | BRACKET – Front | 253, 308 Eng. | | 2812397 | 1 |
| | BRACKET – Rear | 253, 308 Eng. | | 2812398 | 1 |
| | BRACKET – Brace | 253, 308 Eng. | | 9930631 | 1 |
| | BRACKET – Front | 350 Eng. | | 3932433 | 1 |
| | BRACKET – Rear | 350 Eng. | | 2823635 | 1 |
| | SPACER – Front bracket | 202 Eng. | | 2814844 | 3 |
| | BOLT – Engine mounting and compressor bracket to engine | 202 Eng. | | 7421673 | 2 |
| | SHIM – Rear bracket | 253, 308 Eng. | | 3850581 | A.R. |
| | SUPPORT | 202 Eng. | | 2814739 | 1 |
| | SUPPORT | 253, 308 Eng. | | 2822055 | 1 |
| | SUPPORT – Front | 350 Eng. | | 3932432 | 1 |
| | SUPPORT – Rear | 350 Eng. | | (¹⁸ 2822712 | 1 |
| | SUPPORT – Rear | 350 Eng. | | (¹⁸ 3997796 | 1 |
| | BOLT – Rear support and manifold | 350 Eng. | | 3841724 | 2 |
| | SPACER – Support | 253, 308 Eng. | | 2812399 | 1 |
| | BRACE – Front | 202 Eng. | | 2814839 | 1 |
| | BRACE – Rear | 253, 308 Eng. | | 2812401 | 1 |
| | BRACE – Rear | 350 Eng. | | (¹⁸ 3973372 | 1 |
| | BRACE – Rear | 350 Eng. | | (¹⁸ 6271051 | 1 |
| | SPACER – Bracket to support | 253, 308 Eng. | | 2812400 | 1 |
| | NUT – Brace | 253, 308 Eng. | | 2816049 | 1 |
| 9.180 | BELT – Air Conditioner compressor | | | | |
| | BELT – Nominal length 38" | 202 Eng. | | 3861930 | 1 |
| | BELT – Nominal length 36 1/2" | 202 Eng. | | 3888457 | 1 |
| | BELT – Nominal length 55.90" | 253, 308 Eng. | | 3862776 | 1 |
| | BELT – Nominal length 55" | 253, 308 Eng. | | 3911670 | 1 |
| | BELT – Nominal length 55 1/4" | 350 Eng. | | 3847711 | 1 |
| | BELT – Nominal length 54 1/2" | 350 Eng. | | 9433659 | 1 |

Note: (¹⁸ Casting No. 3973469 on the top rear surface of Inlet Manifold.
(¹⁸ Casting No. 6263751 on the top rear surface of Inlet Manifold.
(²⁸ Suit 9 row evaporator.
(²⁸ Suit 10 row evaporator.

"HQ" PARTS CATALOGUE

| GROUP | DESCRIPTION | MODEL | SIDE | PART No. | QTY. |
|--------------|---|-------------------------|------|-------------------------|------|
| 9.189 | MUFFLER — Air Conditioner | | | | |
| | MUFFLER ASSEMBLY | 202, 253, 308 Eng. | | 2817084 | 1 |
| | MUFFLER ASSEMBLY | 350 Eng. | | 2815038 | 1 |
| | WASHER — Muffler to compressor | ALL | | 3706737 | 1 |
| 9.190 | CONDENSER ASSEMBLY — Air Conditioner | | | | |
| | CONDENSER ASSEMBLY | ALL | | 2814174 | 1 |
| | SUPPORT — Condenser mounting | ALL | | 2814173 | 2 |
| | BOLT — Condenser to support panel | ALL | | SP2321 | 4 |
| | NUT — Condenser to support panel | ALL | | 3903539 | 4 |
| 9.195 | RECEIVER and DEHYDRATOR ASSEMBLY — Air Conditioner | | | | |
| | RECEIVER and DEHYDRATOR ASSEMBLY — (With female inlet) | ALL | | 3155342 | 1 |
| | RECEIVER & DEHYDRATOR ASSEMBLY — (With male inlet) | ALL | | 2821867 | 1 |
| | BRACKET — Receiver and dehydrator mounting | ALL | | 2819226 | 2 |
| | SUPPORT — Receiver and dehydrator | ALL | | (³⁴ 2817981 | 1 |
| 9.196 | TUBE ASSEMBLY — Air Conditioner Receiver and Dehydrator | | | | |
| | TUBE ASSEMBLY — Receiver and dehydrator inlet | ALL | | (³⁴ 3792316 | 1 |
| 9.198 | VALVE — P.O.A.S.T. | | | | |
| | VALVE | ALL | | 5910594 | 1 |
| 9.199 | BRACKET, TUBE — P.O.A.S.T. valve | | | | |
| | BRACKET — Mounting | ALL | | 3942672 | 1 |
| | TUBE ASSEMBLY — Outlet | ALL | | 2818731 | 1 |
| 9.210 | CORE — Air Conditioner Evaporator | | | | |
| | CORE ASSEMBLY — Evaporator (9 Row type) | ALL | | 2818646 | 1 |
| | CORE ASSY. PACKAGE — Evaporator (10 Row type) | ALL | | 9932176 | 1 |
| | CORE ASSEMBLY — Evaporator (10 Row type) | ALL | | 9928490 | 1 |
| 9.211 | INLET, SEAL — Air Conditioner Air | | | | |
| | INLET ASSY. | ALL | | 2817550 | 1 |
| | SEAL — Inlet | ALL | | 2818641 | 1 |
| | TUBE — Case drain | ALL | | 3016305 | 1 |
| 9.213 | VALVE — Modulex | | | | |
| | VALVE | ALL | | 5910745 | 1 |
| | CLAMP — Valve mounting | ALL | | 3017086 | 1 |
| | CLAMP — Valve bulb to evaporator outlet | ALL | | 3147463 | 2 |
| | INSULATION — Valve bulb to evaporator outlet | ALL | | 8526387 | 2 |
| 9.215 | MOTOR, IMPELLER, HOSE — Air Conditioner Blower | | | | |
| | MOTOR — Evaporator blower | ALL | | 4960538 | 1 |
| | IMPELLER — Blower motor | ALL | | 3027062 | 1 |
| | WASHER — Impeller | ALL | | 3015545 | 1 |
| | NUT — Impeller | ALL | | 3027134 | 1 |
| | HOSE — Motor cooling | ALL | | 2818388 | 1 |
| 9.217 | CORE ASSY., SUPPORT — Air Conditioner Heater | | | | |
| | CORE ASSY. | ALL | | 2815643 | 1 |
| | SUPPORT — Heater core | ALL | | 2817410 | 1 |
| | CLAMP — Heater core mounting | ALL | | 2815644 | 1 |
| | GASKET — Heater core pipes | ALL | | 2817878 | 1 |

Note: (³⁴ Suit receiver & dehydrator with female inlet.

"HQ" PARTS CATALOGUE

| GROUP | DESCRIPTION | MODEL | SIDE | PART No. | QTY. |
|--------------|---|--------------------|------|-------------------------|------|
| 9.220 | HOSE, CLAMP, 'O' RING – Air Conditioner | | | | |
| | HOSE – Condenser to receiver dehydrator | ALL | | ⁽²⁴⁾ 3889480 | 1 |
| | HOSE – Condenser to receiver dehydrator | ALL | | ⁽²⁵⁾ 3925749 | 1 |
| | CLAMP – Hose | ALL | | 3840818 | 2 |
| | HOSE – Compressor to condenser | 202 Eng. | | 3837326 | 1 |
| | HOSE – Compressor to condenser (15 1/2" long) | 253, 308 Eng. | | 3945859 | 1 |
| | HOSE – Compressor to condenser (16" long) | 253, 308 Eng. | | 3949869 | 1 |
| | HOSE – Compressor to condenser | 350 Eng. | | 3837324 | 1 |
| | CLAMP – Hose | ALL | | 3840818 | 2 |
| | TUBE ASSEMBLY – Dehydrator to modulex valve | ALL | | 2818911 | 1 |
| | 'O' RING GASKET – Receiver dehydrator inlet and outlet | ALL | | 8526398 | 2 |
| | HOSE – P.O.A.S.T. valve to compressor | 202 Eng. | | 3829381 | 1 |
| | HOSE – P.O.A.S.T. valve to compressor | 253, 308 Eng. | | 3862831 | 1 |
| | HOSE – P.O.A.S.T. valve to compressor | 350 Eng. | | 3875876 | 1 |
| | CLAMP – Hose | ALL | | 3840818 | 1 |
| | HOSE – Thermostat housing inlet to tee | 202 Eng. | | 2822711 | 1 |
| | HOSE – Water pump inlet to tee | 253, 308 Eng. | | 2822622 | 1 |
| | HOSE – Tee to water valve | 202 Eng. | | 2822709 | 1 |
| | HOSE – Tee to water valve | 253, 308 Eng. | | 2822623 | 1 |
| | HOSE – Engine to water valve | 350 Eng. | | 2815017 | 1 |
| | HOSE – Water valve to Air Cond. heater inlet | 202 Eng. | | 2822708 | 1 |
| | HOSE – Water valve to Air Cond. heater inlet | 253, 308 Eng. | | 2822624 | 1 |
| | HOSE – Air Cond. heater outlet to tee | 202 Eng. | | 2822710 | 1 |
| | HOSE – Air Cond. heater outlet to tee | 253, 308 Eng. | | 2815018 | 1 |
| | HOSE – Water valve inlet to manifold outlet | 202 Eng. | | 2818154 | 1 |
| | HOSE – Water valve inlet to manifold outlet | 253 Eng. | | 2822625 | 1 |
| | HOSE – Water valve inlet to manifold outlet | 308 Eng. | | 2822679 | 1 |
| | HOSE – Heater outlet | 350 Eng. | | 2818215 | 1 |
| | SLEEVE – Heater outlet hose | ALL | | 2820848 | 1 |
| | HOSE – Water valve to heater | 350 Eng. | | 2818154 | 1 |
| | CLAMP – Heater hose .97" Dia. | ALL | | SP1701 | 4-2 |
| | CLAMP – Heater hose 1.03" Dia. | ALL | | SP1610 | 6 |
| | CLIP – Heater inlet to outlet hose | ALL | | 7433806 | 1 |
| | 'O' RING GASKET – Condenser V.I.R. tube | ALL | | 8526398 | 1 |
| | 'O' RING GASKET – Modulex valve inlet | ALL | | 8526398 | 1 |
| | 'O' RING GASKET – Modulex valve to evaporator | ALL | | 3140600 | 1 |
| | 'O' RING GASKET – P.O.A.S.T. valve to evaporator | ALL | | 3140852 | 1 |
| | 'O' RING GASKET – P.O.A.S.T. valve outlet tube | ALL | | 3140852 | 1 |
| | 'O' RING GASKET – Bleed pipe to P.O.A.S.T. valve | ALL | | 8526645 | 1 |
| | 'O' RING GASKET – Equalizer pipe to P.O.A.S.T. valve | ALL | | 8526645 | 1 |
| | GROMMET – Condenser inlet pipe .50" x .80" | ALL | | SP2049 | 1 |
| | GROMMET – Condenser outlet pipe .40" x .80" | ALL | | SP2048 | 1 |
| | TEE – Water hose connection | 202, 253, 308 Eng. | | 2822621 | 1 |
| 9.262 | DUCT, OUTLET, DOOR – Air Conditioner distribution | | | | |
| | DUCT – Heat distribution | ALL | | 2817409 | 1 |
| | SUPPORT – Heater core and temp. door | ALL | | 2820870 | 1 |
| | SHIELD – Heat | 350 Eng. | | 2820814 | 1 |
| | DUCT PACKAGE | ALL | | M37151 | 1 |
| | DEFLECTOR – Mode distribution | ALL | | 2824851 | 1 |
| | PANEL – Duct closing | ALL | | 2818642 | 1 |
| | NUT – Hex. No. 10-24, Vacuum actuator to duct closing panel | ALL | | SP2372 | 2 |
| | NUT – Hex. No. 10-32, Vacuum actuator to duct closing panel | ALL | | SP2091 | 2 |
| | PLATE and CAM ASSY. – Temp. door | ALL | | 2818694 | 1 |
| | SPRING – Temp. door cam anti-rattle | ALL | | 2823973 | 1 |
| | PLATE – Temp. door closing | ALL | | 2818689 | 1 |
| | ROLLER – Temp. door plate and cam | ALL | | 3150822 | 1 |
| | OUTLET ASSY. – Vent, centre | ALL | | 2814123 | 1 |

Note: ⁽²⁴⁾ Suit receiver & dehydrator with female inlet.
⁽²⁵⁾ Suit receiver & dehydrator with male inlet.

"HQ" PARTS CATALOGUE

| GROUP | DESCRIPTION | MODEL | SIDE | PART No. | QTY. |
|--------------|---|--------------------|------|----------|------|
| 9.262 | DUCT, OUTLET, DOOR – Air Conditioner distribution (contd.) | | | | |
| | OUTLET ASSY. – Vent, side | ALL | | 2814123 | 2 |
| | DUCT ASSY. – Demist distribution | ALL | | 2813317 | 1 |
| | GASKET – Distribution duct | ALL | | 2818001 | 1 |
| | GASKET – Mode distribution duct | ALL | | 2818435 | 1 |
| | DOOR ASSY. – Demister | ALL | | 2818633 | 1 |
| | DOOR ASSY. – Mode | ALL | | 2818632 | 1 |
| | DOOR ASSY. – Temp. | ALL | | 2815638 | 1 |
| | PIN – Demister door hinge | ALL | | 2818002 | 1 |
| | PIN – Mode door hinge | ALL | | 2818003 | 1 |
| | PIN – Temp. door cam | ALL | | 2818697 | 1 |
| | CLIP – Mode duct retaining | ALL | | 2818698 | 1 |
| | CLIP – Temp. door cam pin | ALL | | SP1762 | 1 |
| | BUSH – Air inlet door retaining | ALL | | 2818693 | 1 |
| | BUSHING – Vacuum valve rotor pin | ALL | | 3891794 | 1 |
| 9.263 | COVER, SEAL – Plenum chamber outlet Air Conditioner | | | | |
| | COVER – Right side | ALL | | 2814398 | 1 |
| | SEAL | ALL | | 2814397 | 1 |
| 9.275 | WATER VALVE, SWITCH, CIRCUIT BREAKER, RELAY, RESISTOR ASSEMBLY – Air Conditioner | | | | |
| | VALVE ASSEMBLY – Heater water | 202, 253, 308 Eng. | | 2822620 | 1 |
| | VALVE ASSEMBLY – Heater water | 350 Eng. | | 481375 | 1 |
| | INSULATOR – Water valve | 350 Eng. | | 1230707 | 1 |
| | SWITCH ASSY. – Fan | ALL | | 2814815 | 1 |
| | SWITCH ASSY. – Master micro | ALL | | 7308858 | 1 |
| | CIRCUIT BREAKER ASSY. | ALL | | 4849850 | 1 |
| | RELAY ASSY. | ALL | | 7437892 | 1 |
| | RESISTOR ASSY. | ALL | | 3979727 | 1 |
| | SEAL – Resistor | ALL | | 2815712 | 1 |
| | GASKET – Resistor to housing | ALL | | 2815702 | 1 |
| | SWITCH ASSY. – Compressor micro | ALL | | 7935830 | 1 |
| 9.276 | HARNESS, LEAD – Air Conditioner wiring | | | | |
| | HARNESS ASSY. – Wiring and vacuum hose | ALL | | 9928904 | 1 |
| | LEAD ASSY. – S/Motor to circuit breaker | 202 Eng. | | 2818984 | 1 |
| | LEAD ASSY. – Generator to circuit breaker | 253, 308 Eng. | | 2823750 | 1 |
| | LEAD ASSY. – Generator to circuit breaker | 350 Eng. | | 2818986 | 1 |
| | LEAD ASSY. – Circuit breaker to relay | ALL | | 2818985 | 1 |
| | BODY – Terminal connector – Single | ALL | | 2962448 | 4 |
| | BODY – Terminal connector – 2 way female | ALL | | 2973407 | 1 |
| | BODY – Terminal connector – Double | ALL | | 2962967 | 2 |
| | BODY – Terminal connector – 4 way female | ALL | | 2965073 | 1 |
| | BODY – Terminal connector – 5 way female | ALL | | 6294016 | 1 |
| | CLIP – Harness to dash panel and duct | ALL | | 7413370 | 5 |
| | CLIP – Harness to fender skirt | 350 Eng. | | SP1498 | 1 |
| 9.281 | TANK ASSY., HOSE – Air Conditioner vacuum | | | | |
| | TANK | ALL | | 385076 | 1 |
| | VALVE ASSEMBLY – Check | ALL | | 1485553 | 1 |
| | HOSE – Engine to check valve | 173, 202 Eng. | | 3748710 | 1 |
| | HOSE – Engine to check valve | 253, 308 Eng. | | 3760716 | 1 |
| | HOSE – Engine to check valve | 350 Eng. | | 3749019 | 1 |
| | HOSE – Check valve to connector tee | ALL | | 2819175 | 1 |
| | HOSE – Vacuum tank to mode vacuum valve 60" | ALL | | 2819175 | 1 |
| | HOSE – Mode vac. valve to mode door 45" | | | | |
| | Green Stripe | ALL | | 2819178 | 1 |
| | HOSE – Mode vac. valve to demister door 45" | | | | |
| | Pink Stripe | ALL | | 2819177 | 1 |

“HQ” PARTS CATALOGUE

| GROUP | DESCRIPTION | MODEL | SIDE | PART No. | QTY. |
|--------------|---|---------------------------|------|-----------|------|
| 9.281 | TANK ASSY., HOSE – Air Conditioner vacuum (contd.) | | | | |
| | HOSE – Mode valve to connector tee 2" | ALL | | 2822626 | 1 |
| | HOSE – Vac. valve to air inlet door 67" | ALL | | 2819179 | 1 |
| | HOSE – Heat valve to water valve 77" | ALL | | 2819181 | 1 |
| | HOSE – Vac. heat valve to connector tee 5" | ALL | | 2822627 | 1 |
| | TEE – Special | ALL | | 3895904 | 1 |
| 9.600 | BAR – Tow | | | | |
| | BAR – Less tongue | 35, 37, 69 | | 2819857 | 1 |
| | BAR – Less tongue | 60, 70, 80 | | 2820118 | 1 |
| | TONGUE – Painted | Rams Horn | | 2819858 | 1 |
| | TONGUE – Chrome plated | Rams Horn | | 2819859 | 1 |
| | TONGUE – Chrome plated | 'U' Shackle | | 2819861 | 1 |
| 9.608 | CARRIER – Water Bag | | | | |
| | CARRIER | ALL | | 7438292 | 1 |
| 9.614 | COVER – Terry Towelling Seat | | | | |
| | FRONT BENCH SEAT WITHOUT ARMREST (Tan) | All Exc. 60, 70, 80 | | M37101TNG | 1 |
| | FRONT BENCH SEAT WITHOUT ARMREST (Orange) | All Exc. 60, 70, 80 | | M37101MAN | 1 |
| | FRONT BENCH SEAT WITHOUT ARMREST (Red) | All Exc. 60, 70, 80 | | M37101RED | 1 |
| | FRONT BENCH SEAT WITHOUT ARMREST (Ginger) | All Exc. 60, 70, 80 | | M37101BRN | 1 |
| | FRONT BENCH SEAT WITHOUT ARMREST (Olive) | All Exc. 60, 70, 80 | | M37101GRN | 1 |
| | FRONT BENCH SEAT WITHOUT ARMREST (Royal) | All Exc. 60, 70, 80 | | M37101RYL | 1 |
| | FRONT BENCH SEAT WITHOUT ARMREST (Maroon) | All Exc. 60, 70, 80 | | M37101MRN | 1 |
| | FRONT BENCH SEAT WITHOUT ARMREST (Blue) | All Exc. 60, 70, 80 | | M37101BLU | 1 |
| | FRONT BENCH SEAT WITHOUT ARMREST (Black) | All Exc. 60, 70, 80 | | M37101BLK | 1 |
| | FRONT BENCH SEAT WITH ARMREST (Tan) | ALL | | M37102TNG | 1 |
| | FRONT BENCH SEAT WITH ARMREST (Orange) | ALL | | M37102MAN | 1 |
| | FRONT BENCH SEAT WITH ARMREST (Red) | ALL | | M37102RED | 1 |
| | FRONT BENCH SEAT WITH ARMREST (Ginger) | ALL | | M37102BRN | 1 |
| | FRONT BENCH SEAT WITH ARMREST (Olive) | ALL | | M37102GRN | 1 |
| | FRONT BENCH SEAT WITH ARMREST (Royal) | ALL | | M37102RLY | 1 |
| | FRONT BENCH SEAT WITH ARMREST (Maroon) | ALL | | M37102MRN | 1 |
| | FRONT BENCH SEAT WITH ARMREST (Blue) | ALL | | M37102BLU | 1 |
| | FRONT BENCH SEAT WITH ARMREST (Black) | ALL | | M37102BLK | 1 |
| | FRONT BENCH SEAT (Tan) | 60, 70, 80 | | M37206TNG | 1 |
| | FRONT BENCH SEAT (Orange) | 60, 70, 80 | | M37206MAN | 1 |
| | FRONT BENCH SEAT (Red) | 60, 70, 80 | | M37206RED | 1 |
| | FRONT BENCH SEAT (Ginger) | 60, 70, 80 | | M37206BRN | 1 |
| | FRONT BENCH SEAT (Olive) | 60, 70, 80 | | M37206GRN | 1 |
| | FRONT BENCH SEAT (Royal) | 60, 70, 80 | | M37206RYL | 1 |
| | FRONT BENCH SEAT (Maroon) | 60, 70, 80 | | M37206MRN | 1 |
| | FRONT BENCH SEAT (Blue) | 60, 70, 80 | | M37206BLU | 1 |
| | FRONT BENCH SEAT (Black) | 60, 70, 80 | | M37206BLK | 1 |
| | FRONT BUCKET SEAT (Tan) | ALL | | M37103TNG | 1 |
| | FRONT BUCKET SEAT (Orange) | ALL | | M37103MAN | 1 |
| | FRONT BUCKET SEAT (Red) | ALL | | M37103RED | 1 |
| | FRONT BUCKET SEAT (Ginger) | ALL | | M37103BRN | 1 |
| | FRONT BUCKET SEAT (Olive) | ALL | | M37103GRN | 1 |

“HQ” PARTS CATALOGUE

| GROUP | DESCRIPTION | MODEL | SIDE | PART No. | QTY. |
|--------------|--|------------------------------------|------|-----------|------|
| 9.614 | COVER – Terry Towelling Seat (contd.) | | | | |
| | FRONT BUCKET SEAT (Royal) | ALL | | M37103RYL | 1 |
| | FRONT BUCKET SEAT (Maroon) | ALL | | M37103MRN | 1 |
| | FRONT BUCKET SEAT (Blue) | ALL | | M37103BLU | 1 |
| | FRONT BUCKET SEAT (Black) | ALL | | M37103BLK | 1 |
| | REAR BENCH SEAT WITHOUT ARMREST (Tan) | ALL | | M37104TNG | 1 |
| | REAR BENCH SEAT WITHOUT ARMREST (Orange) | ALL | | M37104MAN | 1 |
| | REAR BENCH SEAT WITHOUT ARMREST (Red) | ALL | | M37104RED | 1 |
| | REAR BENCH SEAT WITHOUT ARMREST (Ginger) | ALL | | M37104BRN | 1 |
| | REAR BENCH SEAT WITHOUT ARMREST (Olive) | ALL | | M37104GRN | 1 |
| | REAR BENCH SEAT WITHOUT ARMREST (Royal) | ALL | | M37104RYL | 1 |
| | REAR BENCH SEAT WITHOUT ARMREST (Maroon) | ALL | | M37104MRN | 1 |
| | REAR BENCH SEAT WITHOUT ARMREST (Blue) | ALL | | M37104BLU | 1 |
| | REAR BENCH SEAT WITHOUT ARMREST (Black) | ALL | | M37104BLK | 1 |
| | REAR BENCH SEAT WITH ARMREST (Tan) | ALL | | M37105TNG | 1 |
| | REAR BENCH SEAT WITH ARMREST (Orange) | ALL | | M37105MRN | 1 |
| | REAR BENCH SEAT WITH ARMREST (Red) | ALL | | M37105RED | 1 |
| | REAR BENCH SEAT WITH ARMREST (Ginger) | ALL | | M37105BRN | 1 |
| | REAR BENCH SEAT WITH ARMREST (Olive) | ALL | | M37105GRN | 1 |
| | REAR BENCH SEAT WITH ARMREST (Royal) | ALL | | M37105RYL | 1 |
| | REAR BENCH SEAT WITH ARMREST (Maroon) | ALL | | M37105MRN | 1 |
| | REAR BENCH SEAT WITH ARMREST (Blue) | ALL | | M37105BLU | 1 |
| | REAR BENCH SEAT WITH ARMREST (Black) | ALL | | M37105BLK | 1 |
| 9.616 | DEFLECTOR PACKAGE – End gate dust | | | | |
| | PRIME | 35 | | 2822921 | 1 |
| | EXTRUDED | 35 | | 2822920 | 1 |
| 9.620 | DEFLECTOR – Fender mud | | | | |
| | FRONT PACKAGE | ALL | | 2820201 | 1 |
| | REAR PACKAGE | 35, 1469, 1569, 1669, 70, 80 | | 2820200 | 1 |
| | REAR PACKAGE | 37, 169, 269, 369, 469, 1169, 1269 | | 9928361 | 1 |
| | FRONT | ALL | LH | 2820353 | 1 |
| | | | RH | 2820352 | 1 |
| | REAR | 35, 1469, 1569, 1669, 70, 80 | LH | 2820347 | 1 |
| | | | RH | 2820346 | 1 |
| | REAR | 37, 169, 269, 369, 469, 1169, 1269 | LH | 9928359 | 1 |
| | | | RH | 9928360 | 1 |
| 9.624 | GUARD PACKAGE – Bumper bar | | | | |
| | GUARD PACKAGE – Front (1 pair) | Exc. Chassis & Cab | | 2823059 | 1 |
| | GUARD PACKAGE – Rear (1 pair) | Sedan, Monaro | | 2823060 | 1 |
| | INSERT – Front (rubber) | Exc. Chassis & Cab | | M37080 | 2 |
| | INSERT – Rear (rubber) | Sedan, Monaro | | M37080 | 2 |
| | PLUG – Insert – front (plastic) | Exc. Chassis & Cab | | M37081 | 2 |
| | PLUG – Insert – rear (plastic) | Sedan, Monaro | | M37081 | 2 |

"HQ" PARTS CATALOGUE

| GROUP | DESCRIPTION | MODEL | SIDE | PART No. | QTY. |
|--------------|---|--------------------------------------|------|----------|------|
| 9.628 | GUARD PACKAGE – Door edge | | | | |
| | PACKAGE – Front and rear | 35, 69 | | 2819660 | 1 |
| | PACKAGE – Front | Exc. 37 | | 2819661 | 1 |
| | GUARD – Front | Exc. 37 | LH | 2819427 | 1 |
| | | | RH | 2819426 | 1 |
| | GUARD – Rear | 35, 69 | LH | 2819429 | 1 |
| | | | RH | 2819428 | 1 |
| | PACKAGE | 37 | | 2819662 | 1 |
| | GUARD | 37 | LH | 2819431 | 1 |
| | | | RH | 2819430 | 1 |
| 9.632 | GUARD PACKAGE – Headlamp stone | | | | |
| | GUARD PACKAGE – 1 pair | Exc. Premier, Statesman, Monaro L.S. | | 2817129 | 1 |
| | GUARD PACKAGE – 2 pair | Premier, Statesman, Monaro L.S. | | 7439906 | 1 |
| 9.640 | HANDLE PACKAGE – Door pull-to | | | | |
| | PACKAGE (Set of 2) | ALL | | 2808258 | 2-1 |
| | HANDLE | ALL | | 7435413 | 4-2 |
| 9.644 | HARNES PACKAGE – Trailer wiring | | | | |
| | PACKAGE – Bryllite type (non-moulded) | 35, 37, 69 | | 2819819 | 1 |
| | PACKAGE – Sphinx type (moulded) | 35, 37, 69 | | 2824013 | 1 |
| | HARNES ASSY. – Vehicle section (Bryllite type) | 35, 37, 69 | | 2820382 | 1 |
| | HARNES ASSY. – Vehicle section (sphinx type) | 35, 37, 69 | | 2824011 | 1 |
| | PLUG – Trailer section (Bryllite type) | 35, 37, 69 | | 2815892 | 1 |
| | HARNES ASSY. – Trailer section (sphinx type) | 35, 37, 69 | | 2823933 | 1 |
| | FLASHER ASSY. | 35, 37, 69 | | 2815893 | 1 |
| | PACKAGE | 60 | | 2824884 | 1 |
| | HARNES ASSY. – Vehicle section | 60 | | 2824886 | 1 |
| | PACKAGE | 70, 80 | | 2825526 | 1 |
| | HARNES ASSY. – Vehicle section | 70, 80 | | 2824384 | 1 |
| 9.656 | MAT – Cargo compartment | | | | |
| | MAT | 35 | | 2820392 | 1 |
| 9.658 | PLATE PACKAGE – Door paint protection | | | | |
| | PLATE PACKAGE – Set of 4 | 35, 69 | | 2820272 | 1 |
| | PLATE PACKAGE – Set of 2 | 37, 60, 70, 80 | | 2820277 | 1 |
| 9.660 | PROTECTOR – Windshield stone | | | | |
| | PROTECTOR | Monaro | | 2822199 | 1 |
| 9.661 | LUGGAGE RACK PACKAGE | | | | |
| | PACKAGE | 35 | | 9929095 | 1 |
| 9.662 | RADIO/STEREO CASSETTE PLAYER PACKAGE, RADIO PACKAGE – Air chief | | | | |
| | RADIO/STEREO CASSETTE PLAYER PACKAGE | ALL | | 2822771 | 1 |
| | EXTENSION SPEAKER PACKAGE – Radio/Stereo cassette player (2 speakers 1 balance control) | 37, 69 | | 2822772 | 1 |
| | RADIO PACKAGE – 13 Transistor – Push button | ALL | | 2819838 | 1 |
| | RADIO PACKAGE – 11 Transistor – Push button | ALL | | 2818738 | 1 |
| | RADIO PACKAGE – 11 Transistor – Manual | ALL | | 2818737 | 1 |
| | RADIO PACKAGE – 8 Transistor – Manual | ALL | | 2819839 | 1 |
| | EXTENSION SPEAKER PACKAGE – Rear seat | 37, 69 | | 2818739 | 1 |
| | ANTENNA & LEAD-IN PACKAGE | ALL | | 2824959 | 1 |
| | ANTENNA & LEAD-IN PACKAGE – Lock down type (median range) | ALL | | M37115 | 1 |
| | ANTENNA & LEAD-IN PACKAGE – Lock down type (long range) | ALL | | M37085 | 1 |
| | LEAD-IN | ALL | | 2816087 | 1 |
| | ANTENNA PACKAGE – Rear quarter electric | 37, 69 | | 2823972 | 1 |
| | SWITCH ASSEMBLY – Electric antenna | 37, 69 | | 2816902 | 1 |

"HQ" PARTS CATALOGUE

| GROUP | DESCRIPTION | MODEL | SIDE | PART No. | QTY. |
|--------------|---|--------------------------------------|------|----------|------|
| 9.662 | RADIO/STEREO CASSETTE PLAYER PACKAGE, RADIO PACKAGE – Air chief (contd.) | | | | |
| | DIAL – Radio (letters) | All States | | 2819186 | 1 |
| | DIAL – Radio (letters) | Vic. & Tas. | | 2819188 | 1 |
| | DIAL – Radio (letters) | N.S.W. | | 2819189 | 1 |
| | DIAL – Radio (letters) | S.A. & W.A. | | 2819190 | 1 |
| | DIAL – Radio (letters) | Qld & N.T. | | 2819191 | 1 |
| | DIAL – Radio (Numerical) | ALL | | 2819187 | 1 |
| 9.664 | ROPE RAIL PACKAGE | | | | |
| | ROPE RAIL PACKAGE | 80 | | 2820260 | 1 |
| 9.665 | SCREEN PACKAGE – Insect | | | | |
| | SCREEN PACKAGE | Exc. Air Cond. | | 2822353 | 1 |
| 9.667 | SEAT – Child Safety | | | | |
| | STANDARD | Bench Seat with Lap Belt | | 993502 | A.R. |
| | DE LUXE | Bench Seat with Lap Belt | | 987499 | A.R. |
| | CARRIER – Infant safety | With Lap Belts | | 993970 | A.R. |
| 9.668 | SHADE PACKAGE – Venetian | | | | |
| | SHADE PACKAGE – Rear window | Sedan exc. Statesman | | 2822856 | 1 |
| | SHADE PACKAGE – Rear window | Statesman | | 2822857 | 1 |
| | SHADE PACKAGE – Rear quarter | Station Wagon | | 2822858 | 1 |
| 9.672 | SHELF PACKAGE – Parcel | | | | |
| | SHELF PACKAGE | ALL | | 2823571 | 1 |
| 9.680 | SUNSHADE – Windshield | | | | |
| | SHADE – Panel only | Exc. 2 Door Monaro | | 2823270 | 1 |
| | SHADE – Panel only – Expanded metal | Exc. 2 Door Monaro | | 2823492 | 1 |
| | ATTACHING PACKAGE | Station Wagons | | 2823408 | 1 |
| | ATTACHING PACKAGE | Sedans, Utility, Chassis & Cab | | 2823273 | 1 |
| | ATTACHING PACKAGE | Panel Van | | 2823272 | 1 |
| | SHADE PACKAGE | 2 Door Monaro | | 2823884 | 1 |
| | SHADE PACKAGE – Antique Saddle – Vinyl | 2 Door Monaro | | 2823278 | 1 |
| | SHADE PACKAGE – Black – Vinyl | | | | |
| | (prior to 1 March 1973) | 2 Door Monaro | | 2823276 | 1 |
| | SHADE PACKAGE – Antique Brown – Vinyl | 2 Door Monaro | | 2823280 | 1 |
| | SHADE PACKAGE – Flax – Vinyl | 2 Door Monaro | | 2825099 | 1 |
| | SHADE PACKAGE – Chestnut – Vinyl | 2 Door Monaro | | 9930284 | 1 |
| | SHADE PACKAGE – Black – Vinyl | | | | |
| | (from 1 March 1973) | 2 Door Monaro | | 9930280 | 1 |
| | SHADE PACKAGE – Ash – Vinyl | 2 Door Monaro | | 9930281 | 1 |
| | SHADE PACKAGE – Doeskin – Vinyl | 2 Door Monaro | | 9930283 | 1 |
| | SHADE PACKAGE – Juniper – Vinyl | 2 Door Monaro | | 9930282 | 1 |
| | SHADE PACKAGE – Antique Saddle – Vinyl | Sedans exc. Belmont | | 2823277 | 1 |
| | SHADE PACKAGE – Black – Vinyl | | | | |
| | (prior to 1 March 1973) | Sedans exc. Belmont | | 2823275 | 1 |
| | SHADE PACKAGE – Antique Brown – Vinyl | Sedans exc. Belmont | | 2823279 | 1 |
| | SHADE PACKAGE – Flax – Vinyl | Sedan exc. Belmont | | 2825098 | 1 |
| | SHADE PACKAGE – Chestnut – Vinyl | Sedan exc. Belmont | | 9930289 | 1 |
| | SHADE PACKAGE – Black – Vinyl | | | | |
| | (from 1 March 1973) | Sedan exc. Belmont | | 9930285 | 1 |
| | SHADE PACKAGE – Ash – Vinyl | Sedan exc. Belmont | | 9930286 | 1 |
| | SHADE PACKAGE – Doeskin – Vinyl | Sedan exc. Belmont | | 9930288 | 1 |
| | SHADE PACKAGE – Juniper – Vinyl | Sedan exc. Belmont | | 9930287 | 1 |

"HQ" PARTS CATALOGUE

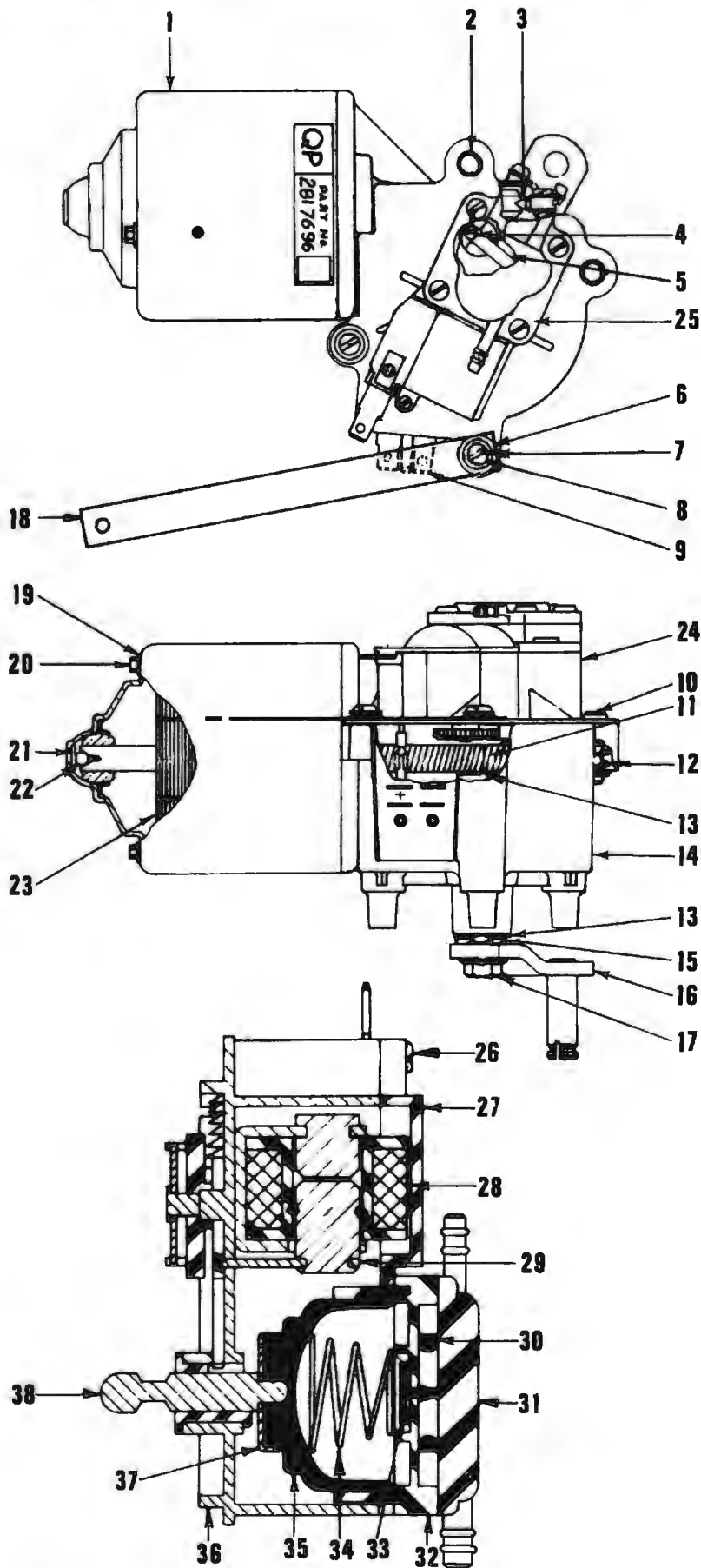
| GROUP | DESCRIPTION | MODEL | SIDE | PART No. | QTY. |
|--|------------------------|-------|--------------|----------|------|
| 9.684 WEATHERSHIELD PACKAGE – Door mounting | | | | | |
| WEATHERSHIELD – Clear | Exc. 37 | LH | 2822733 CLR. | 1 | |
| | | RH | 2822734 CLR. | 1 | |
| WEATHERSHIELD – Tinted | Exc. 37 | LH | 2822733 TNT. | 1 | |
| | | RH | 2822734 TNT. | 1 | |
| WEATHERSHIELD – Vented (Clear) | Exc. 37 | RH | 9930730 CLR. | 1 | |
| | | LH | 9931349 CLR. | 1 | |
| WEATHERSHIELD – Vented (Tinted) | Exc. 37 | RH | 9930730 TNT. | 1 | |
| | | LH | 9931349 TNT. | 1 | |
| RAINSHIELD | 37 | LH | 2824871 | 1 | |
| | | RH | 2824872 | 1 | |
| RAINSHIELD PACKAGE – (1 pair) | 37 | | 2824873 | 1 | |
| 9.709 LIGHTER ASSEMBLY – Cigarette | | | | | |
| LIGHTER PACKAGE | Chassis & cab, Belmont | | 2823219 | 1 | |
| LIGHTER ASSEMBLY | ALL (Casco) | | 2814130 | 1 | |
| PLUNGER and KNOB ASSEMBLY | ALL (Casco) | | 2814132 | 1 | |
| 9.743 PLUG – Cigarette Lighter Aperture | | | | | |
| PLUG | Belmont | | 7426303 | 1 | |
| 9.778 SWITCH ASSY., LEAD ASSY. – Heated rear window | | | | | |
| SWITCH ASSY | Statesman | | 2824949 | 1 | |
| SPRING – Switch retainer | Statesman | | 2816992 | 1 | |
| LEAD ASSY – Rear window | Statesman | | 2824950 | 1 | |
| BODY – Connector, 1 Male terminal | Statesman | | 2984528 | 1 | |
| BODY – Connector, 1 Female terminal | Statesman | | 2977253 | 1 | |
| BODY – Rear window glass | Statesman | | 2984528 | 1 | |
| CLIP – Lead to quarter inner panel | Statesman | | 7426417 | 1 | |
| SCREW – Lead to quarter inner panel | Statesman | | SP1884 | 1 | |
| WASHER – Lead to quarter inner panel | Statesman | | 121752 | 1 | |
| GROMMET – Rear compartment front outer panel | Statesman | | SP1982 | 1 | |
| LEAD ASSY – Fuse | Statesman | | 2814951 | 1 | |
| BODY – Connector, 1 Female terminal | Statesman | | 6294142 | 1 | |
| CLIP & TERMINAL ASSY – Fuse | Statesman | | 2814603 | 1 | |
| FUSE – 15 Amp. | Statesman | | 9426333 | 1 | |
| 9.779 HEATER and DEMISTER COMPONENTS | | | | | |
| BASE – Heater control | ALL | | 2814888 | 1 | |
| BUSHING – Heat distribution duct door (Elmaco) | ALL | | VS11937 | 1 | |
| CABLE – Mode control | ALL | | 2813323 | 1 | |
| CABLE – Heater control | ALL | | 2813322 | 1 | |
| CLAMP – Heater radiator (Smith) | ALL | | VS12056 | 1 | |
| CLIP – Control lever pivot pin | ALL | | SP1762 | 1 | |
| CLIP – Heat dist. duct closing panel (Elmaco) | ALL | | VS11939 | 7 | |
| CLIP – Heat dist. duct closing panel (Smith) | ALL | | VS12053 | 7 | |
| CLIP – Stud attaching (Smith) | ALL | | SP2225 | 6 | |
| CONTROL ASSEMBLY – Heater | ALL | | 2813326 | 1 | |
| DOOR ASSEMBLY – Mode (Elmaco) | ALL | | VS11936 | 1 | |
| DOOR ASSEMBLY – Mode (Smith) | ALL | | VS12049 | 1 | |
| DOOR ASSEMBLY – Temperature (Elmaco) | ALL | | VS11935 | 1 | |
| DOOR ASSEMBLY – Temperature (Smith) | ALL | | VS12047 | 1 | |
| DUCT ASSEMBLY – Demist distribution | ALL | | 2813317 | 1 | |
| DUCT ASSEMBLY – Heat distribution | ALL | | 2813301 | 1 | |
| DUCT – Heater distribution (Elmaco) | ALL | | VS11934 | 1 | |
| DUCT – Heater distribution (Smith) | ALL | | VS12044 | 1 | |
| DUCT – Upper vent outlet – Left side | ALL | | 2814209 | 1 | |
| DUCT – Upper vent outlet – Right side | ALL | | 2814208 | 1 | |
| ESCUTCHEON – Heater control | ALL | | 2814902 | 1 | |
| FUSE – Type 3AG or AG – C – 15 amp. | ALL | | 9426333 | 1 | |
| GROMMET – Heater core inlet | ALL | | 2813295 | 1 | |
| GROMMET – Heater core outlet | ALL | | 2817265 | 1 | |
| HOSE – Heater inlet | 173, 202 Eng. | | 2822318 | 1 | |

"HQ" PARTS CATALOGUE

| GROUP | DESCRIPTION | MODEL | SIDE | PART No. | QTY. |
|--|---|----------|------|----------|------|
| 9.779 HEATER and DEMISTER COMPONENTS (contd.) | | | | | |
| | HOSE - Heater inlet | 253 Eng. | | 2820892 | 1 |
| | HOSE - Heater inlet | 308 Eng. | | 7434050 | 1 |
| | HOSE - Heater inlet | 350 Eng. | | 2815017 | 1 |
| | CLAMP - Heater inlet hose .97" | ALL | | SP1701 | 1 |
| | CLAMP - Heater inlet hose 1.03" dia. | ALL | | SP1610 | 1 |
| | HOSE - Heater outlet | ALL | | 2813325 | 1 |
| | CLAMP - Heater outlet hose 1.03" dia. | ALL | | SP1610 | 2 |
| | CLIP - Inlet to outlet hose | ALL | | 7433806 | 1 |
| | HOUSING ASSEMBLY - Blower and air duct | ALL | | 2817382 | 1 |
| | IMPELLER - Heater motor | ALL | | 2818456 | 1 |
| | KNOB - Control lever | ALL | | 2814903 | 2 |
| | LEVER - Heater control | ALL | | 2814890 | 1 |
| | LEVER - Mode control | ALL | | 2814891 | 1 |
| | PIN - Mode and heat lever to base | ALL | | 2822256 | 2 |
| | MOTOR ASSEMBLY - Blower | ALL | | 2813297 | 1 |
| | NIPPLE - Heater inlet hose 2 7/8" | 350 Eng. | | 7415042 | 1 |
| | NIPPLE - Heater outlet hose 2 7/8" | 350 Eng. | | 7415042 | 1 |
| | NUT - Heater motor impeller to shaft | ALL | | 3011293 | 1 |
| | OUTLET ASSEMBLY - Upper level vent left side | ALL | | 2820477 | 1 |
| | OUTLET ASSEMBLY - Upper level vent right side | ALL | | 2813680 | 1 |
| | PANEL - Heat dist. duct closing (Elmaco) | ALL | | VS11938 | 1 |
| | PANEL - Heat dist. duct closing (Smith) | ALL | | VS12051 | 1 |
| | RADIATOR ASSEMBLY | ALL | | 2820303 | 1 |
| | RESISTOR ASSEMBLY - Blower motor | ALL | | 2824202 | 1 |
| | ROD - Heater mode door (Elmaco) | ALL | | VS11987 | 1 |
| | ROD - Heater mode door (Smith) | ALL | | VS12050 | 1 |
| | ROD - Heater temperature door (Elmaco) | ALL | | VS11986 | 1 |
| | ROD - Heater temperature door (Smith) | ALL | | VS12048 | 1 |
| | SCREW - Heater radiator clamp (Smith) | ALL | | VS12057 | 1 |
| | SEAL - Duct closing panel (Smith) | ALL | | VS12052 | 1 |
| | SEAL - Heater radiator shroud (Smith) | ALL | | VS12058 | 2 |
| | SHROUD - Heater radiator (Smith) | ALL | | VS12046 | 1 |
| | SPRING - Heater and mode control detent | ALL | | 2814892 | 1 |
| | STRAP - Earthing | ALL | | 2818369 | 1 |
| | STRAP - Heat dist. duct - Long (Elmaco) | ALL | | VS11988 | 1 |
| | STRAP - Heat dist. duct - Short (Elmaco) | ALL | | VS11989 | 1 |
| | STUD - Heat distribution duct (Elmaco) | ALL | | VS11940 | 6 |
| | STUD - Heat distribution duct (Smith) | ALL | | VS12054 | 6 |
| | SWITCH ASSEMBLY - Blower motor | ALL | | 2814897 | 1 |
| | WASHER - Heater motor impeller to shaft | ALL | | 3004686 | 1 |
| 9.785 TUBE - Plenum chamber drain | | | | | |
| | TUBE | ALL | LH | 2812733 | 1 |
| | | | RH | 2812734 | 1 |
| 9.786 ACTUATOR, VALVE ASSY., LINK - Vacuum, Air Conditioner | | | | | |
| | ACTUATOR - Mode door vacuum | ALL | | 1998981 | 1 |
| | ACTUATOR - Demist door vacuum | ALL | | 1998981 | 1 |
| | ACTUATOR - Air inlet vacuum | ALL | | 1998981 | 1 |
| | VALVE ASSEMBLY - Mode vacuum | ALL | | 2820513 | 1 |
| | VALVE ASSEMBLY - Heat vacuum | ALL | | 7930601 | 1 |
| | BRACKET - Air inlet vacuum actuator support | ALL | | 2818628 | 1 |
| | SPACER - Mode vacuum valve | ALL | | 2818214 | 2 |
| | SPACER - Heat vacuum valve | ALL | | 2820172 | 2 |
| | LINK - Mode door vacuum actuator | ALL | | 2817999 | 1 |
| | LINK - Demist door vacuum actuator | ALL | | 2818000 | 1 |
| | LINK - Air inlet vacuum actuator | ALL | | 2818692 | 1 |
| | CLIP - Vacuum actuator link to air inlet door | ALL | | SP2207 | 1 |

"HQ" PARTS CATALOGUE

| GROUP | DESCRIPTION | MODEL | SIDE | PART No. | QTY. |
|--------------|--|---------------------|------|----------|------|
| 9.787 | CONTROL, BRACKET, RETAINER, CLIP – Plenum chamber outlet | | | | |
| | CONTROL ASSEMBLY - Door | Exc. Air Cond. | LH | 2815115 | 1 |
| | | | RH | 2815116 | 1 |
| | BRACKET - Control | Exc. Air Cond. | LH | 2816465 | 1 |
| | | | RH | 2816464 | 1 |
| | RETAINER - Control cable | Exc. Air Cond. | | 2814936 | 2 |
| | CLIP - Retainer | Exc. Air Cond. | | 7415519 | 1 |
| | CLIP - Outlet rod | Exc. Air Cond. | | SP2335 | 4 |
| 9.788 | CONTROL, BASE, ESCUTCHEON, LEVER, CABLE – Air Conditioner control | | | | |
| | CONTROL ASSEMBLY | ALL | | 2814905 | 1 |
| | BASE - Control | ALL | | 2817915 | 1 |
| | ESCUTCHEON - Control | ALL | | 2814900 | 1 |
| | LEVER ASSEMBLY - Mode control | ALL | | 2817963 | 1 |
| | LEVER ASSEMBLY - Heat control | ALL | | 2817961 | 1 |
| | CABLE - Heat control | ALL | | 2819278 | 1 |



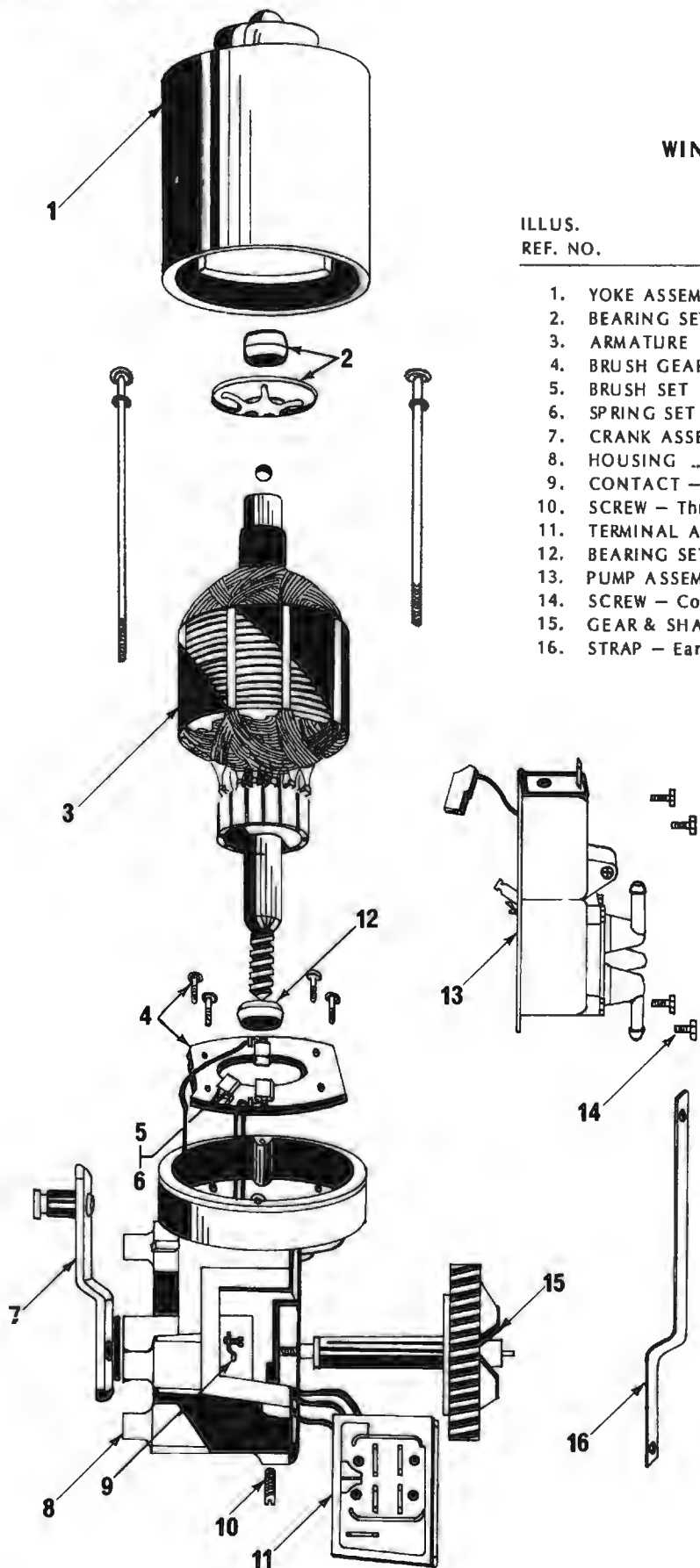
WINDSHIELD WIPER ASSEMBLY
GROUP 10.150
(PRESLITE)

| ILLUS. REF. NO. | PART NAME | PART NO. |
|-----------------|--------------------------------------|----------|
| 1. | HOUSING - Armature | VS11955 |
| 2. | PIN - Pump retaining | VS11953 |
| 3. | CONE - Armature thrust | 7421381 |
| 4. | SCREW - Earth finger | VS11951 |
| 5. | FINGER - Earth | VS11950 |
| 6. | WASHER - Pump ret.screw dished | VS11949 |
| 7. | WASHER - Pump ret.screw flat .. | VS11948 |
| 8. | SCREW - Pump retaining | VS10280 |
| 9. | TERMINAL BLOCK ASSY. | VS11947 |
| 10. | RING - Pump retaining pin | VS11943 |
| 11. | GEAR & SHAFT ASSY. | VS11945 |
| 12. | SPRING - Pump retaining pin ... | VS11944 |
| 13. | WASHER - Gear & shaft, flat ... | 7425272 |
| 14. | HOUSING - Gear | VS11959 |
| 15. | WASHER - Gear & shaft, wave .. | 7429031 |
| 16. | CRANK ASSY. | VS11942 |
| 17. | NUT - Crank retaining | 7429033 |
| 18. | STRAP - Earth | VS11941 |
| 19. | WASHER | 120217 |
| 20. | BOLT - Through | VS11957 |
| 21. | PAD - Armature thrust | VS10286 |
| 22. | BALL - Armature thrust | VS10285 |
| 23. | ARMATURE ASSY. | VS11958 |

WINDSHIELD WASHER ASSEMBLY
GROUP 8.798
(PRESLITE)

| | | |
|-----|------------------------------|---------|
| 24. | PUMP ASSY. | VS11946 |
| 25. | SCREW - Valve cover | VS12138 |
| 26. | SCREW - Solenoid cover | VS10277 |
| 27. | COVER - Solenoid | VS12133 |
| 28. | SOLENOID ASSY. | VS12129 |
| 29. | PLUNGER & LEVER ASSY. | VS12139 |
| 30. | SEAL - Valve | VS12136 |
| 31. | COVER - Valve | VS12134 |
| 32. | SEAT - Valve | VS12135 |
| 33. | RUBBER - Valve | VS12137 |
| 34. | SPRING | VS12140 |
| 35. | CAP - Suction | VS12130 |
| 36. | HOUSING | VS12128 |
| 37. | CUP - Trim | VS12132 |
| 38. | PLUNGER | VS12131 |

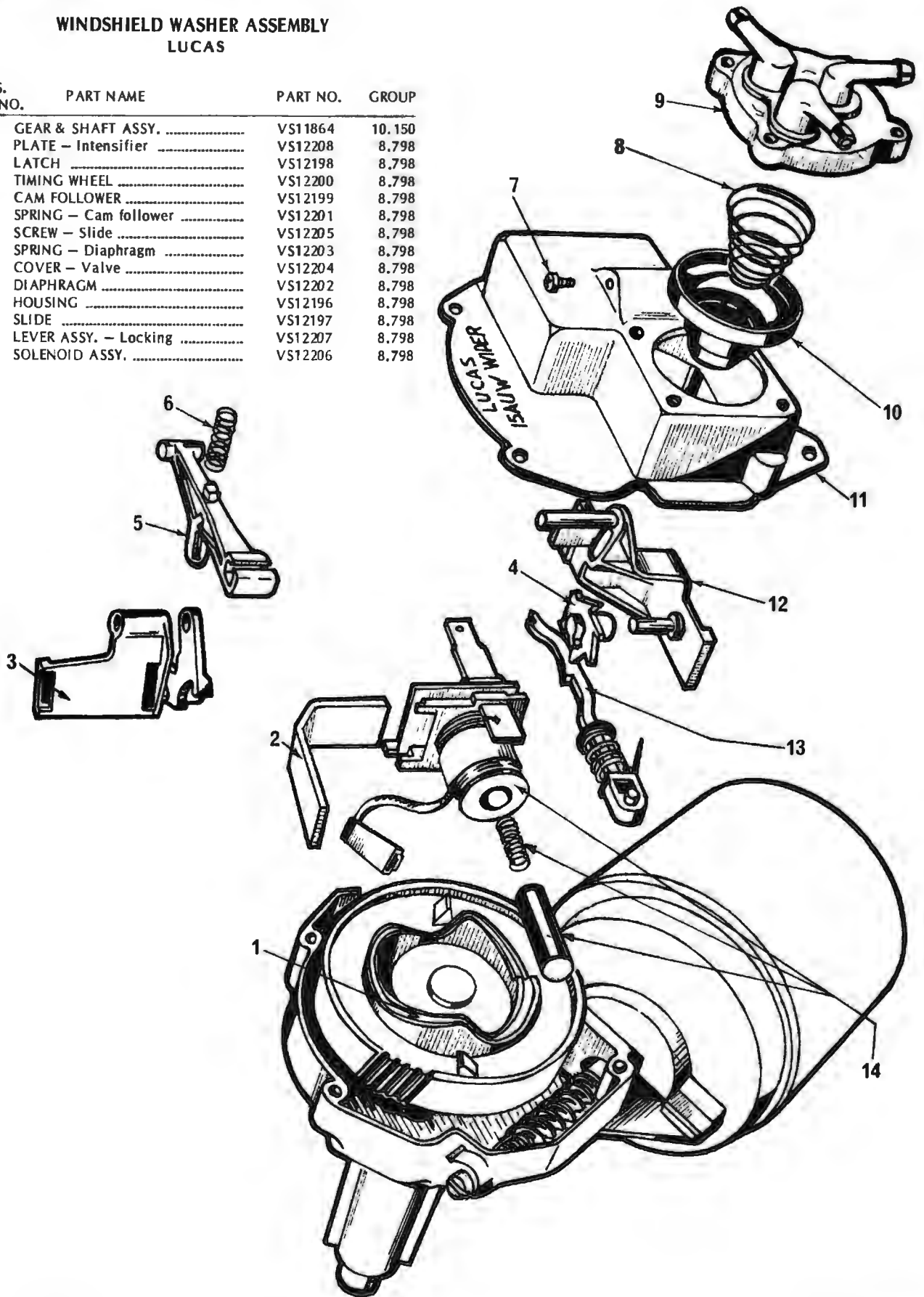
**WINDSHIELD WIPER & WASHER
(LUCAS)**

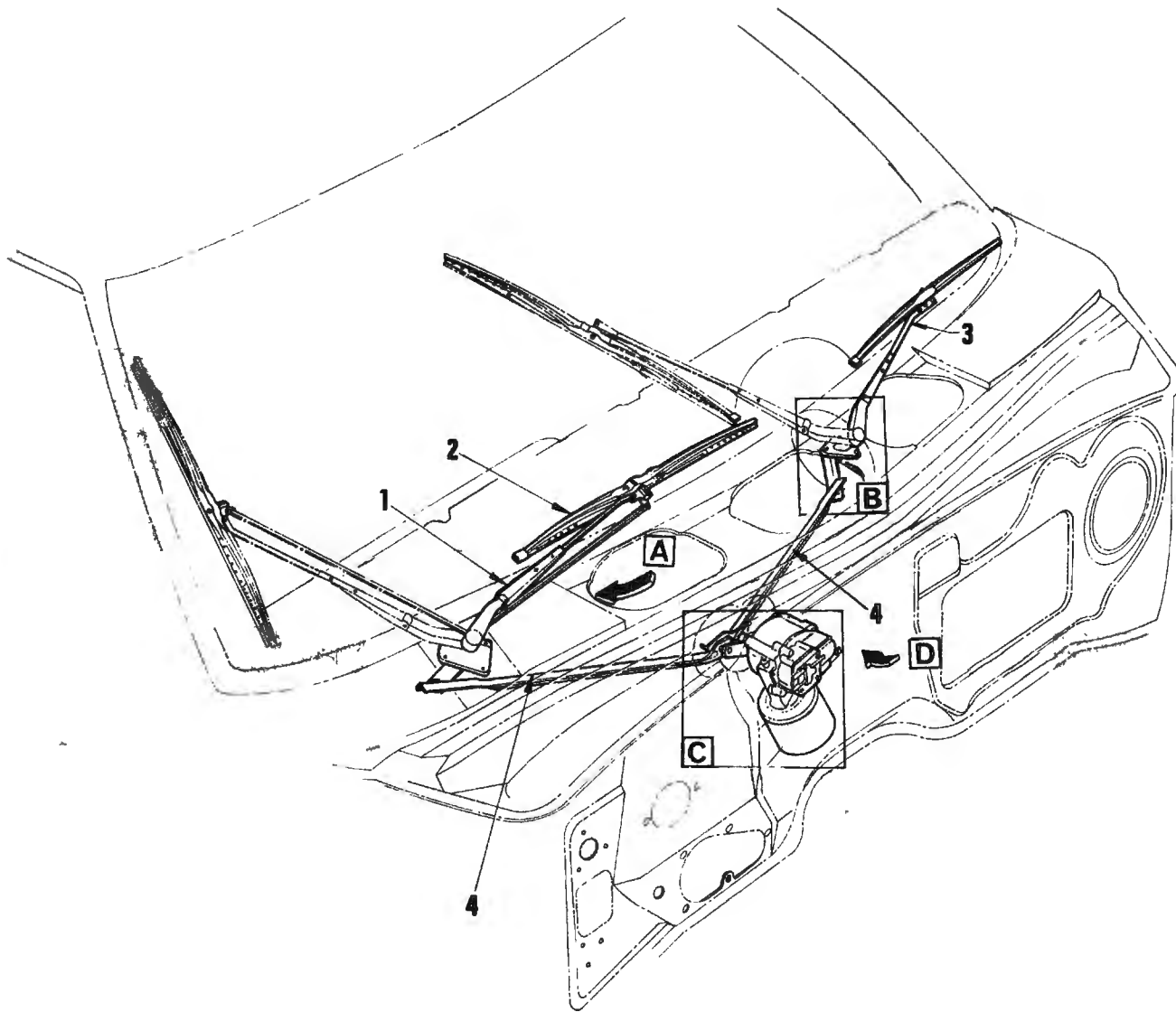


| ILLUS. REF. NO. | PART NAME | PART NO. | GROUP |
|--------------------|----------------------------------|--------------|--------|
| 1. | YOKE ASSEMBLY | Not Serviced | |
| 2. | BEARING SET - Yoke | VS11848 | 10.150 |
| 3. | ARMATURE | VS11849 | 10.150 |
| 4. | BRUSH GEAR | VS11843 | 10.150 |
| 5. | BRUSH SET | VS11844 | 10.150 |
| 6. | SPRING SET - Brush | VS11845 | 10.150 |
| 7. | CRANK ASSEMBLY | VS11865 | 10.150 |
| 8. | HOUSING | Not Serviced | |
| 9. | CONTACT - Earth | VS11859 | 10.150 |
| 10. | SCREW - Thrust | VS11852 | 10.150 |
| 11. | TERMINAL ASSEMBLY - Switch | VS11858 | 10.150 |
| 12. | BEARING SET - Comm. end | VS10657 | 10.150 |
| 13. | PUMP ASSEMBLY | VS11870 | 8.798 |
| 14. | SCREW - Cover attach. | VS10562 | 10.150 |
| 15. | GEAR & SHAFT ASSEMBLY | VS11864 | 10.150 |
| 16. | STRAP - Earth | VS11862 | 10.150 |

**WINDSHIELD WASHER ASSEMBLY
LUCAS**

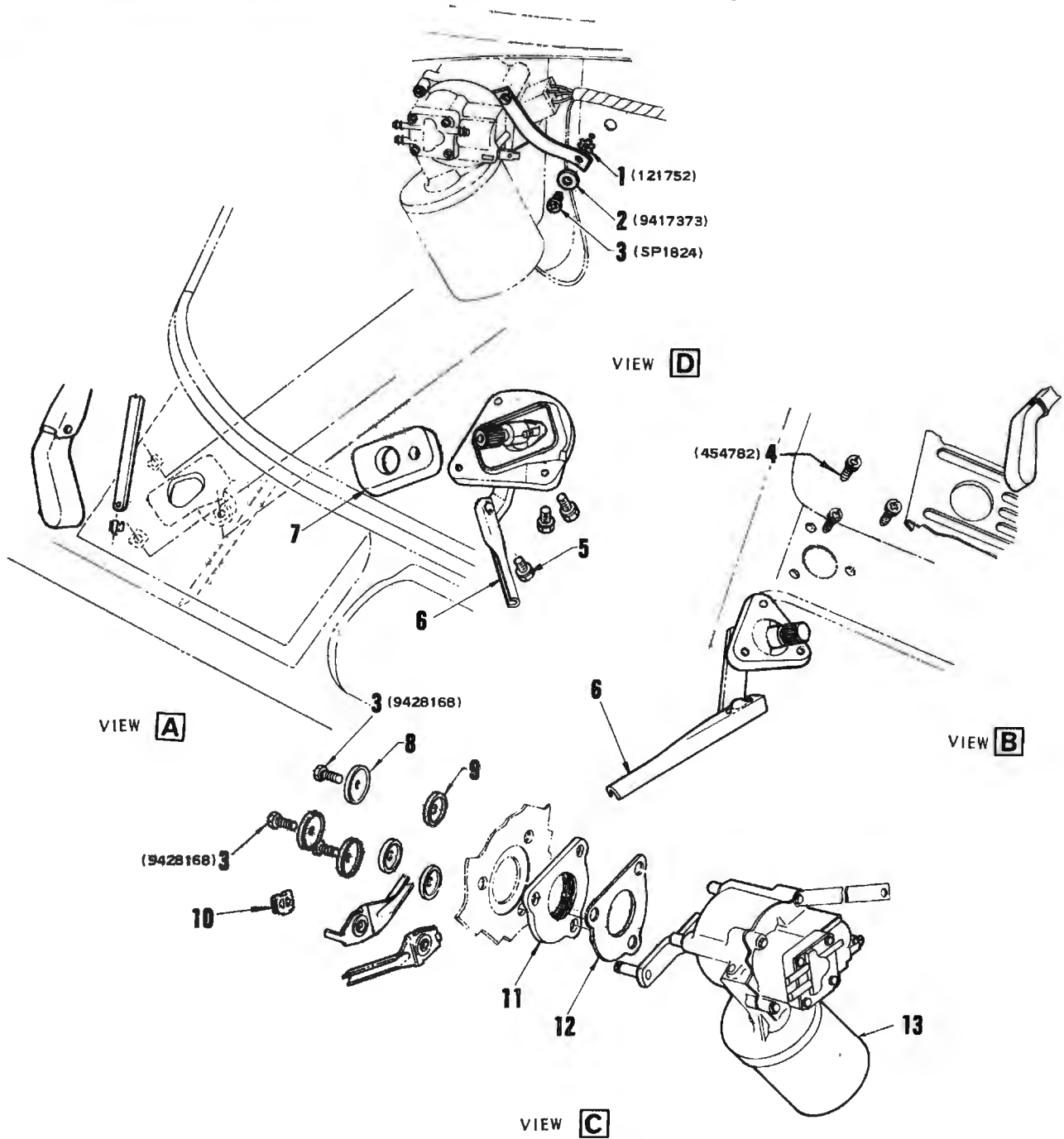
| ILLUS. REF. NO. | PART NAME | PART NO. | GROUP |
|--------------------|-----------------------------|----------|---------|
| 1. | GEAR & SHAFT ASSY. | VS11864 | 10. 150 |
| 2. | PLATE - Intensifier | VS12208 | 8.798 |
| 3. | LATCH | VS12198 | 8.798 |
| 4. | TIMING WHEEL | VS12200 | 8.798 |
| 5. | CAM FOLLOWER | VS12199 | 8.798 |
| 6. | SPRING - Cam follower | VS12201 | 8.798 |
| 7. | SCREW - Slide | VS12205 | 8.798 |
| 8. | SPRING - Diaphragm | VS12203 | 8.798 |
| 9. | COVER - Valve | VS12204 | 8.798 |
| 10. | DIAPHRAGM | VS12202 | 8.798 |
| 11. | HOUSING | VS12196 | 8.798 |
| 12. | SLIDE | VS12197 | 8.798 |
| 13. | LEVER ASSY. - Locking | VS12207 | 8.798 |
| 14. | SOLENOID ASSY. | VS12206 | 8.798 |





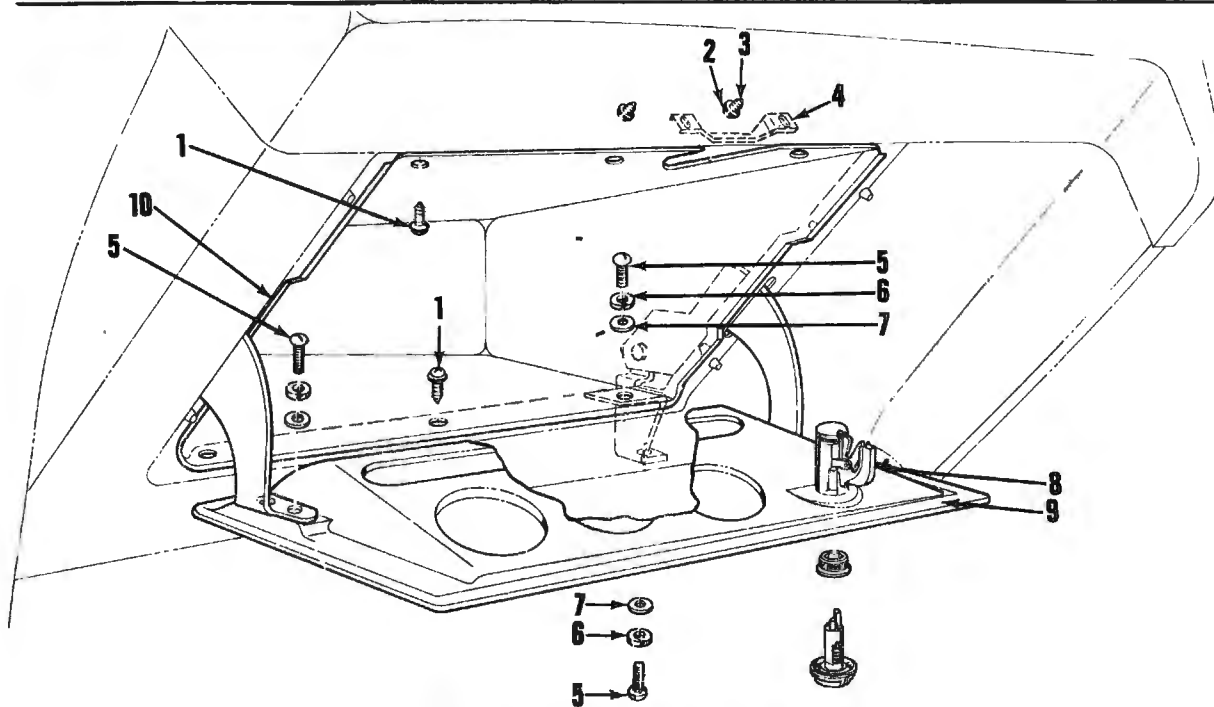
WINDSHIELD WIPER

| ILLUS. REF. NO. | PART NAME | GROUP | ILLUS. REF. NO. | PART NAME | GROUP |
|-----------------|---------------------------------|--------|-----------------|-------------------------|--------|
| 1 | ARM & ACTUATING LINK ASSY. | 10.147 | 3. | ARM ASSY. | 10.147 |
| 2. | BLADE ASSY. | 10.146 | 4. | LINK & PIVOT ASSY. | 10.159 |



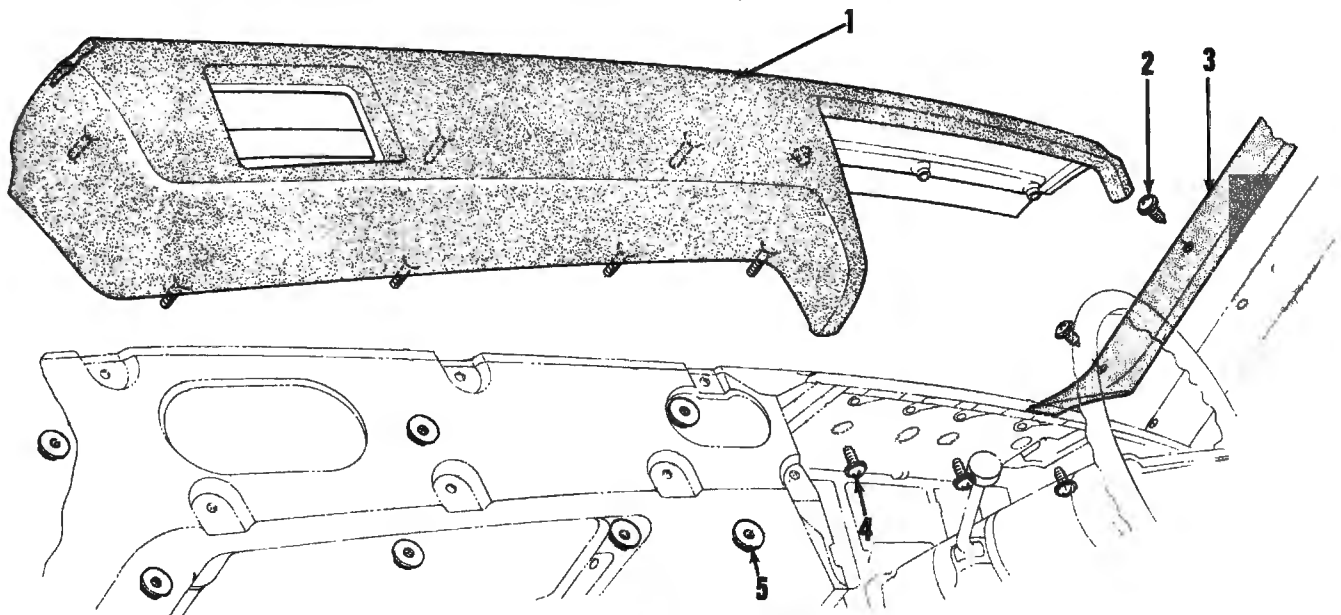
WINDSHIELD WIPER

| ILLUS. REF. NO. | PART NAME | GROUP | ILLUS. REF. NO. | PART NAME | GROUP |
|-----------------|-------------------------------------|--------|-----------------|----------------------------------|--------|
| 1. | WASHER — Shakeproof | 8.932 | 8. | RETAINER — Insulator | 10.152 |
| 2. | WASHER — Flat | 8.929 | 9. | INSULATOR | 10.152 |
| 3. | SCREW — Sheet metal | 8.977 | 10. | CLIP | 10.160 |
| 4. | BOLT — Pan head | 8.910 | 11. | SEAL — Motor to dash panel | 10.152 |
| 5. | SCREW | 10.159 | 12. | PLATE — Seal retainer | 10.152 |
| 6. | LINK & PIVOT ASSY. | 10.159 | 13. | MOTOR ASSY. | 10.150 |
| 7. | SEAL — Windshield wiper pivot | 10.161 | | | |



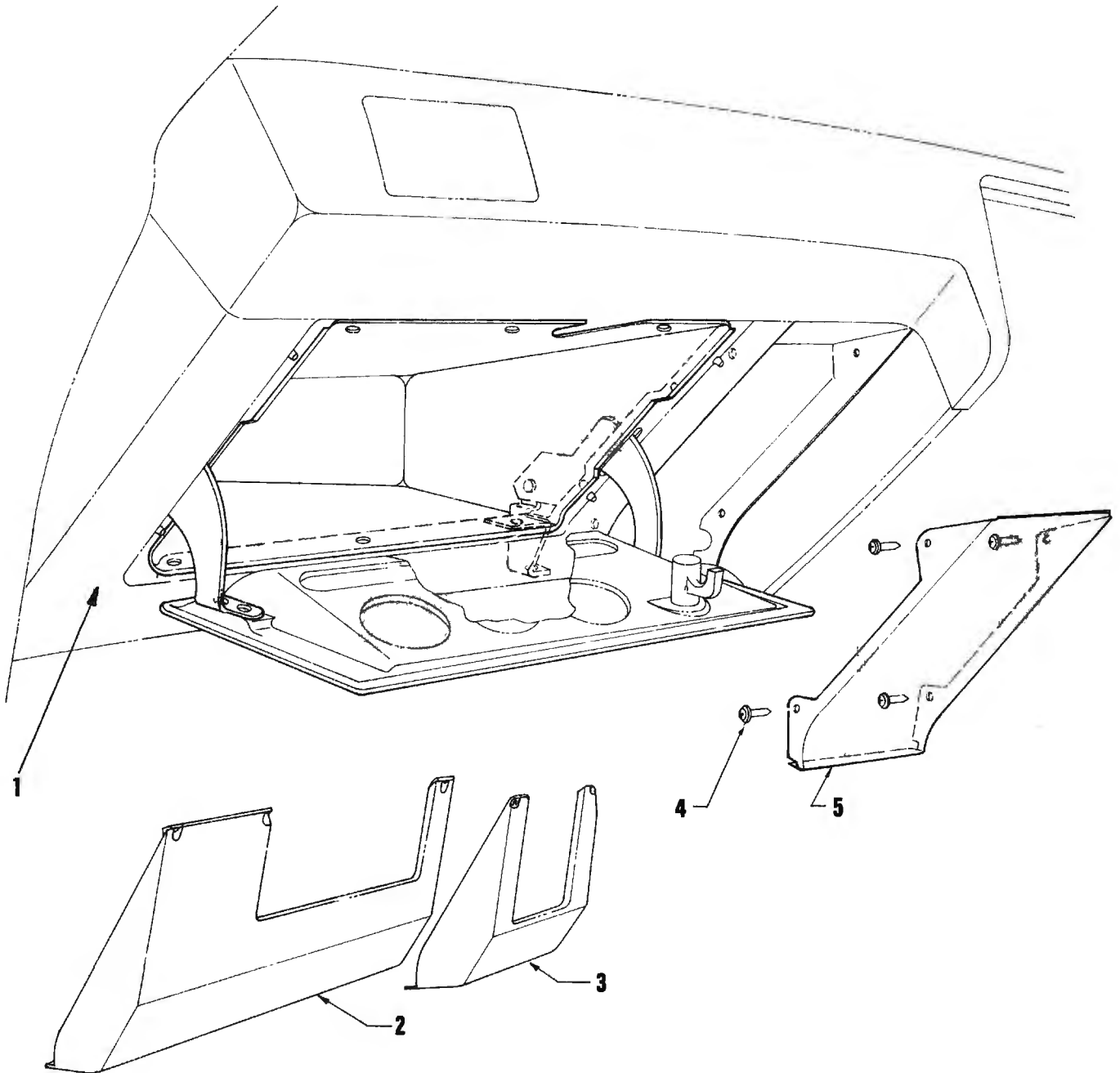
INSTRUMENT PANEL COMPARTMENT

| ILLUS. REF. NO. | PART NAME | GROUP | ILLUS. REF. NO. | PART NAME | GROUP |
|-----------------|---|--------|-----------------|--------------------------------------|--------|
| 1. | SCREW - Washer head No. 8 - 18 x 1/2" | 8.977 | 6. | WASHER - Lock, No.10 Medium | 8.931 |
| 2. | WASHER - Flat, No. 8 | 8.929 | 7. | WASHER - Flat, 7/32" x 1/2" x .049" | 8.929 |
| 3. | SCREW - Pan hd, No.8 - 18 x 3/8" cr. rec. | 8.977 | 8. | CASE ASSY. | 10.266 |
| 4. | STRIKER - Inst. panel comp. door lock | 10.268 | 9. | DOOR ASSY. - Inst. panel compartment | 10.261 |
| 5. | BOLT - Pan hd., No.10 - 24 x 1/2" | 8.910 | 10. | COMPARTMENT ASSY. - Instrument panel | 10.260 |



INSTRUMENT PANEL PAD

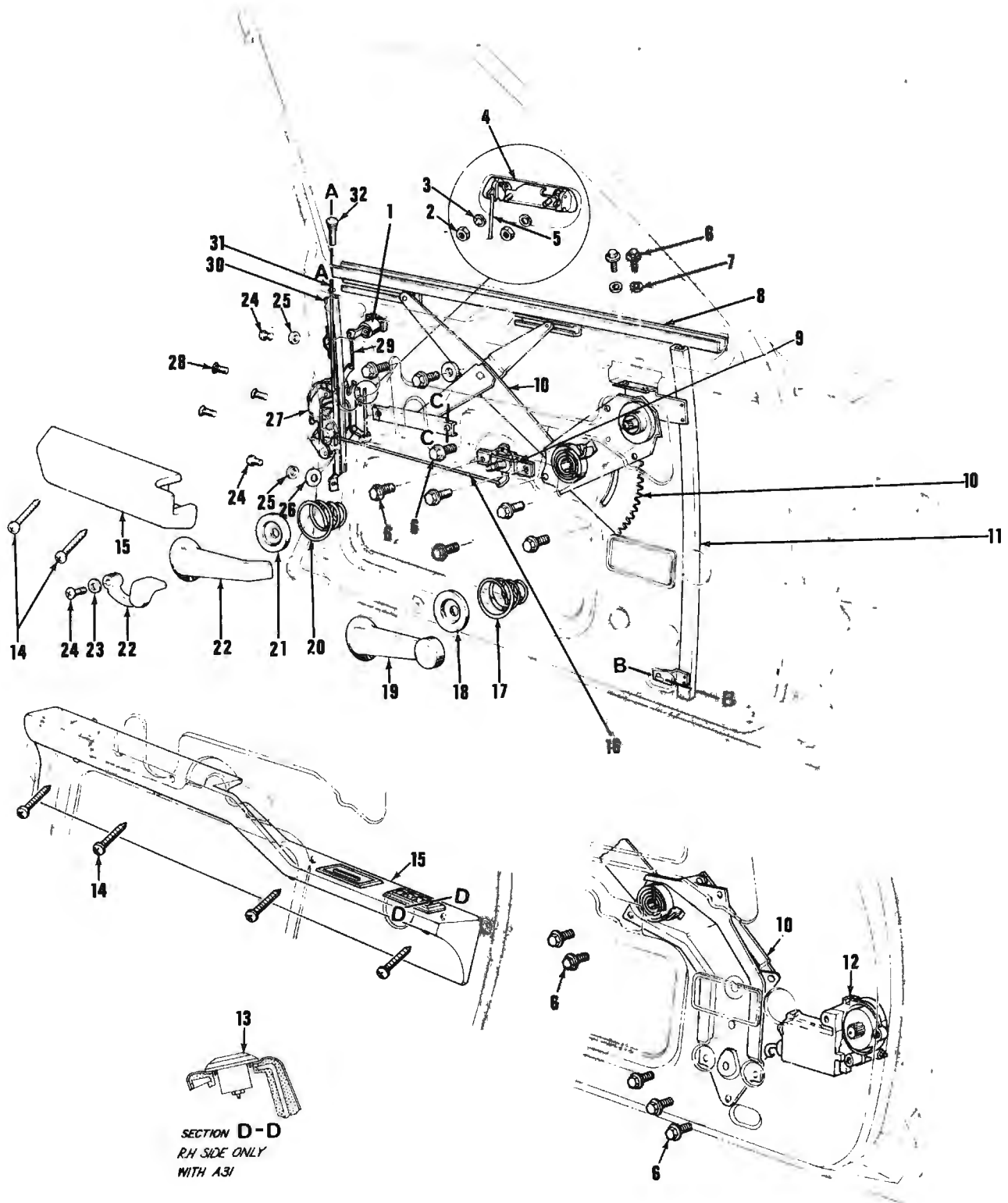
| ILLUS. REF. NO. | PART NAME | GROUP | ILLUS. REF. NO. | PART NAME | GROUP |
|-----------------|---|--------|-----------------|---|--------|
| 1. | PAD ASSY. - Instrument panel | 14.655 | 4. | SCREW - Pad to front end, rd. hd. tap. No. 10 - 16 x .50" | 14.655 |
| 2. | SCREW - Oval hd., No.6 - 20 x 1/2" cr. rec. | 8.977 | 5. | NUT - Stamped, No.10 - 24 'DO' type | 8.921 |
| 3. | PANEL - Front body pillar garnish | 10.051 | | | |



**PANEL ASSY. INSTRUMENT
(Taxi Only)**

| ILLUS. REF. NO. | PART NAME | PART NO. | QTY. | GROUP |
|--------------------|--------------------------------|----------|------|--------|
| 1. | PANEL ASSY. - Instrument | 2820709 | 1 | 10.230 |
| 2. | COVER - Side | 2820705 | 1 | 10.230 |
| 3. | COVER - Centre | 2820704 | 1 | 10.230 |
| 4. | SCREW | SP1490 | 4 | 8.977 |
| 5. | PANEL - Closing | 2820710 | 1 | 10.230 |

FRONT DOOR HARDWARE



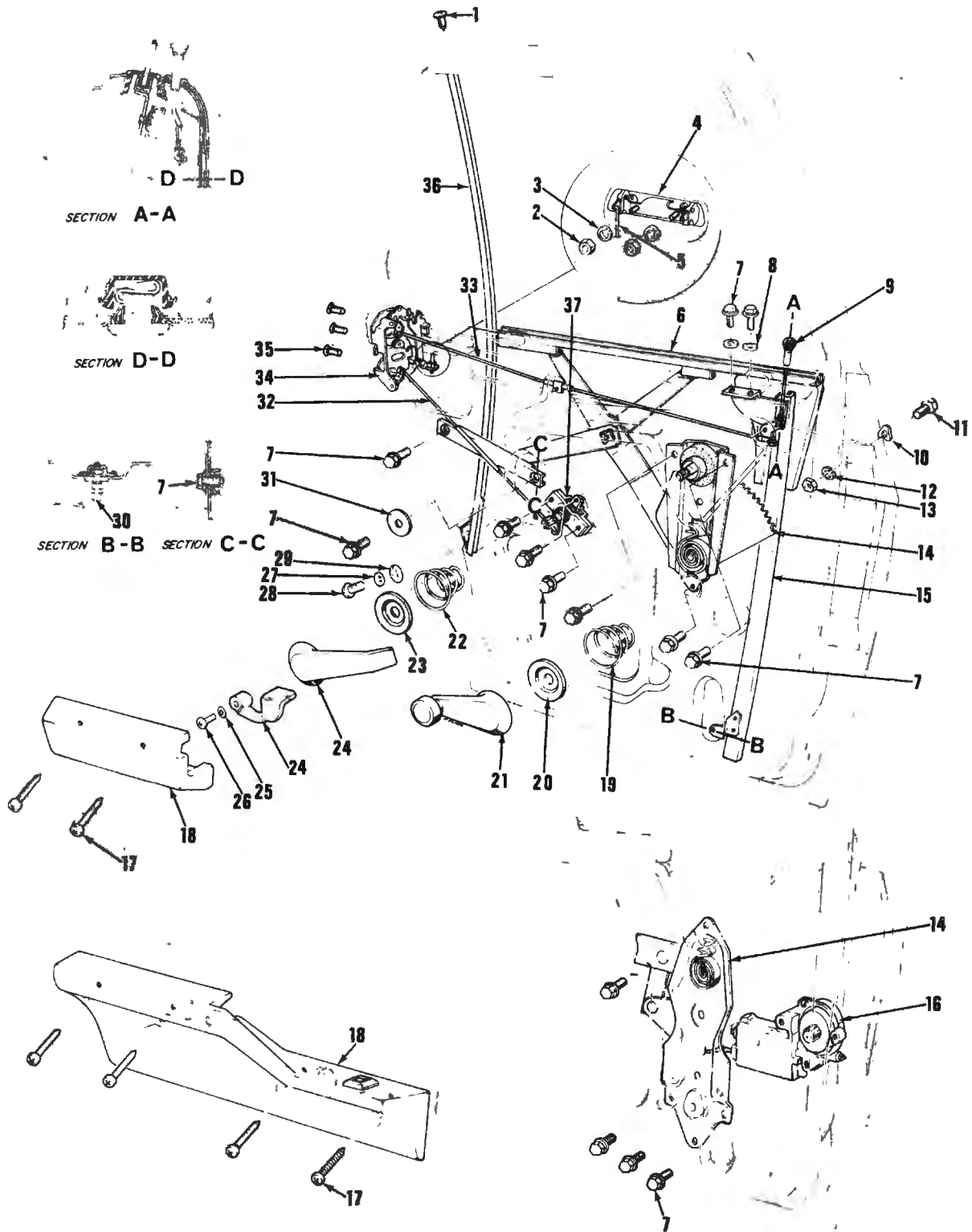
SECTION D-D
R.H. SIDE ONLY
WITH A31

FRONT DOOR HARDWARE

ILLUSTRATION OPPOSITE

| ILLUS. REF. NO. | PART NAME | GROUP |
|--------------------|--|--------|
| 1. | SERVICE PACKAGE - Uncoded | 10.550 |
| 2. | NUT - Hexagon, 1/4" - 20 Light | 8.915 |
| 3. | WASHER - Lock, 1/4" Medium | 8.931 |
| 4. | HANDLE - Door outside | 10.527 |
| 5. | ROD - Frt. handle to lock connector | 10.529 |
| 6. | BOLT - Hex. hd., 1/4" - 20 x 1/2" w/washer | 8.900 |
| 7. | WASHER - Flat, 5/16" x 3/4" x .065" | 8.929 |
| 8. | CHANNEL ASSY. - Glass lifter | 10.685 |
| 9. | CONTROL ASSY. - Front door | 10.500 |
| 10. | REGULATOR ASSY. - Front door window | 10.783 |
| 11. | CAM ASSY. - Window guide | 10.702 |
| 12. | MOTOR ASSY. - Front door window | 10.784 |
| 13. | SWITCH ASSY. - Power windows | 10.777 |
| 14. | SCREW - Pan hd., No.14 - 10 x 2" cr. rec. | 8.977 |
| 15. | ARM REST ASSY. | 14.686 |
| 16. | ROD - Door inside locking | 10.556 |
| 17. | SPRING - Handle escutcheon | 10.806 |
| 18. | PLATE - Handle bearing | 10.797 |
| 19. | HANDLE ASSY. | 10.797 |
| 20. | SPRING - Front door remote control | 10.516 |
| 21. | PLATE - Inside door handle bearing | 10.515 |
| 22. | HANDLE - Door remote control | 10.512 |
| 23. | WASHER - Lock, No. 10 Medium | 8.931 |
| 24. | BOLT - Pan hd., No.10 - 24 x 5/16" cr. rec. | 8.910 |
| 25. | WASHER - Lock, No. 10 Light | 8.931 |
| 26. | WASHER - Flat, .218" x .68" x .035" | 8.929 |
| 27. | LOCK ASSY. - Front door | 10.470 |
| 28. | SCREW - Oval hd. cr. rec. with lock washer .. | 10.470 |
| 29. | ROD - Door lock to lock cyl. connector | 10.507 |
| 30. | CHANNEL - Glass run | 10.701 |
| 31. | ROD - Front door inside locking | 10.563 |
| 32. | KNOB - Inside locking rod | 10.559 |

REAR DOOR HARDWARE

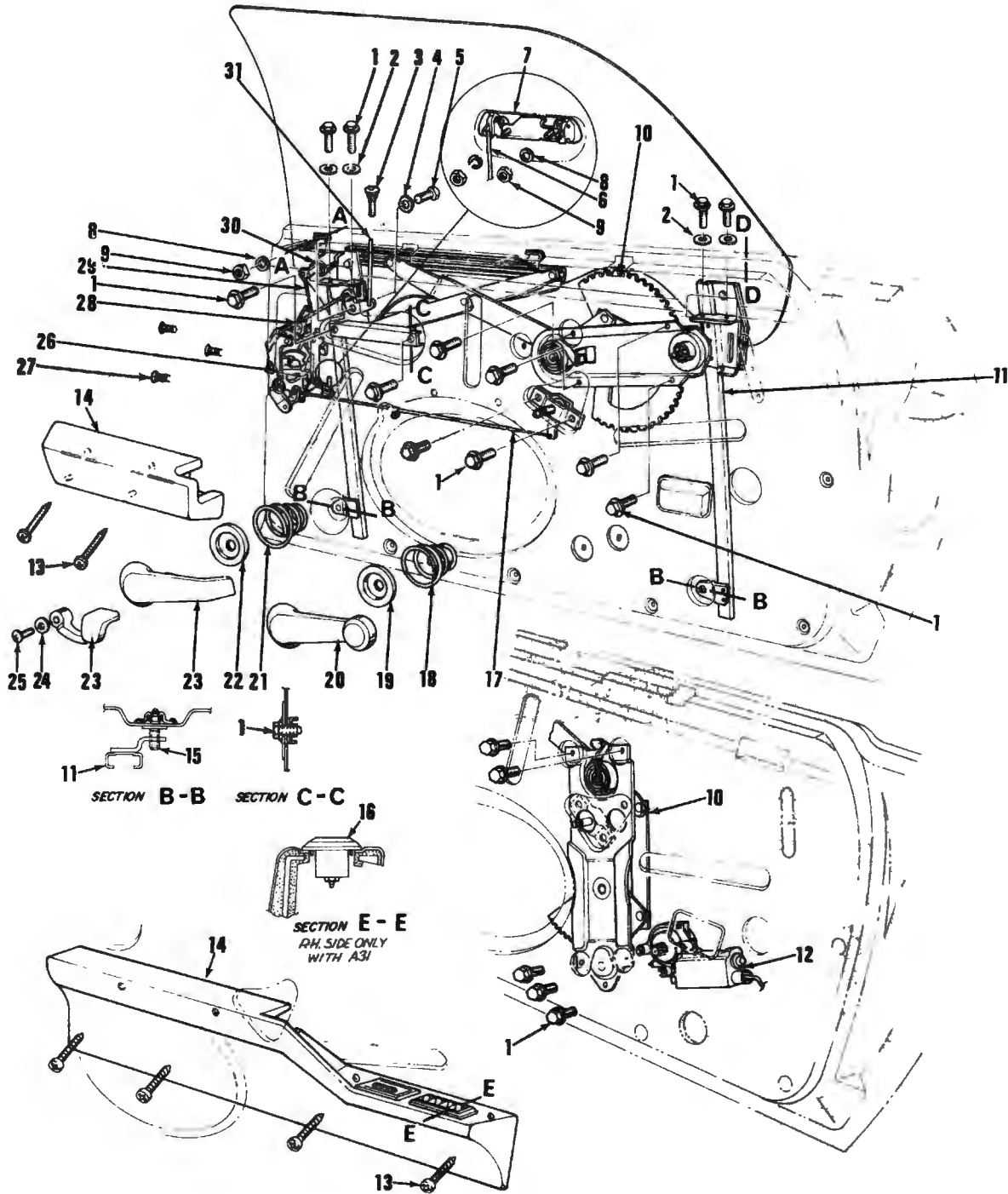


REAR DOOR HARDWARE

ILLUSTRATION OPPOSITE

| ILLUS. REF. NO. | PART NAME | GROUP |
|--------------------|--|--------|
| 1. | SCREW - Pan hd. No.10 - 24 x 5/16'' | 10.829 |
| 2. | NUT - Hexagon, 1/4'' - 20 Light | 8.915 |
| 3. | WASHER - Lock, 1/4'' Medium | 8.931 |
| 4. | HANDLE - Door outside | 10.527 |
| 5. | ROD - Rear handle to lock connector | 10.529 |
| 6. | CHANNEL ASSY. - Glass lifter | 10.747 |
| 7. | BOLT - Hex. hd., 1/4'' - 20 x 1/2'' w/washer | 8.900 |
| 8. | WASHER - Flat, 5/16'' x 3/4'' x .065'' | 8.929 |
| 9. | KNOB - Inside locking rod | 10.559 |
| 10. | WASHER - Spring, .380'' - .385'' | 8.928 |
| 11. | BOLT - Locking lever | 10.556 |
| 12. | WASHER - Lock, 1/4'' Medium | 8.931 |
| 13. | NUT - Hexagon, 1/4'' - 20 Light | 8.915 |
| 14. | REGULATOR ASSY. - Window | 10.783 |
| 15. | CAM ASSY. - Rear door | 10.702 |
| 16. | MOTOR ASSY. - Door window | 10.784 |
| 17. | SCREW - Pan hd., No.14 - 10 x 2'' cr. rec. | 8.977 |
| 18. | ARM REST ASSY. | 14.762 |
| 19. | SPRING - Handle escutcheon | 10.806 |
| 20. | PLATE - Handle bearing | 10.797 |
| 21. | HANDLE ASSY. | 10.797 |
| 22. | SPRING - Front door remote control | 10.516 |
| 23. | PLATE - Inside door handle bearing | 10.515 |
| 24. | HANDLE - Door remote control | 10.512 |
| 25. | WASHER - Lock, No.10 Medium | 8.931 |
| 26. | BOLT - Pan hd., No.10 - 24 x 5/16'' cr. rec. | 8.910 |
| 27. | WASHER - Lock, No.10 Light | 8.931 |
| 28. | BOLT - Pan hd., No.10 - 24 x 5/16'' cr. rec. | 8.910 |
| 29. | WASHER - Flat, .218'' x .68'' x .035'' | 8.929 |
| 30. | STUD - Cam to door | 10.702 |
| 31. | WASHER | 10.791 |
| 32. | ROD - Connecting, rear | 10.506 |
| 33. | ROD - Rear door | 10.556 |
| 34. | LOCK ASSY. - Rear door | 10.473 |
| 35. | SCREW - Oval hd. cr. rec. with lock washer .. | 10.470 |
| 36. | CHANNEL - Rear door glass division | 10.829 |
| 37. | CONTROL ASSY. - Rear door | 10.500 |

FRONT DOOR HARDWARE
(MONARO COUPE)

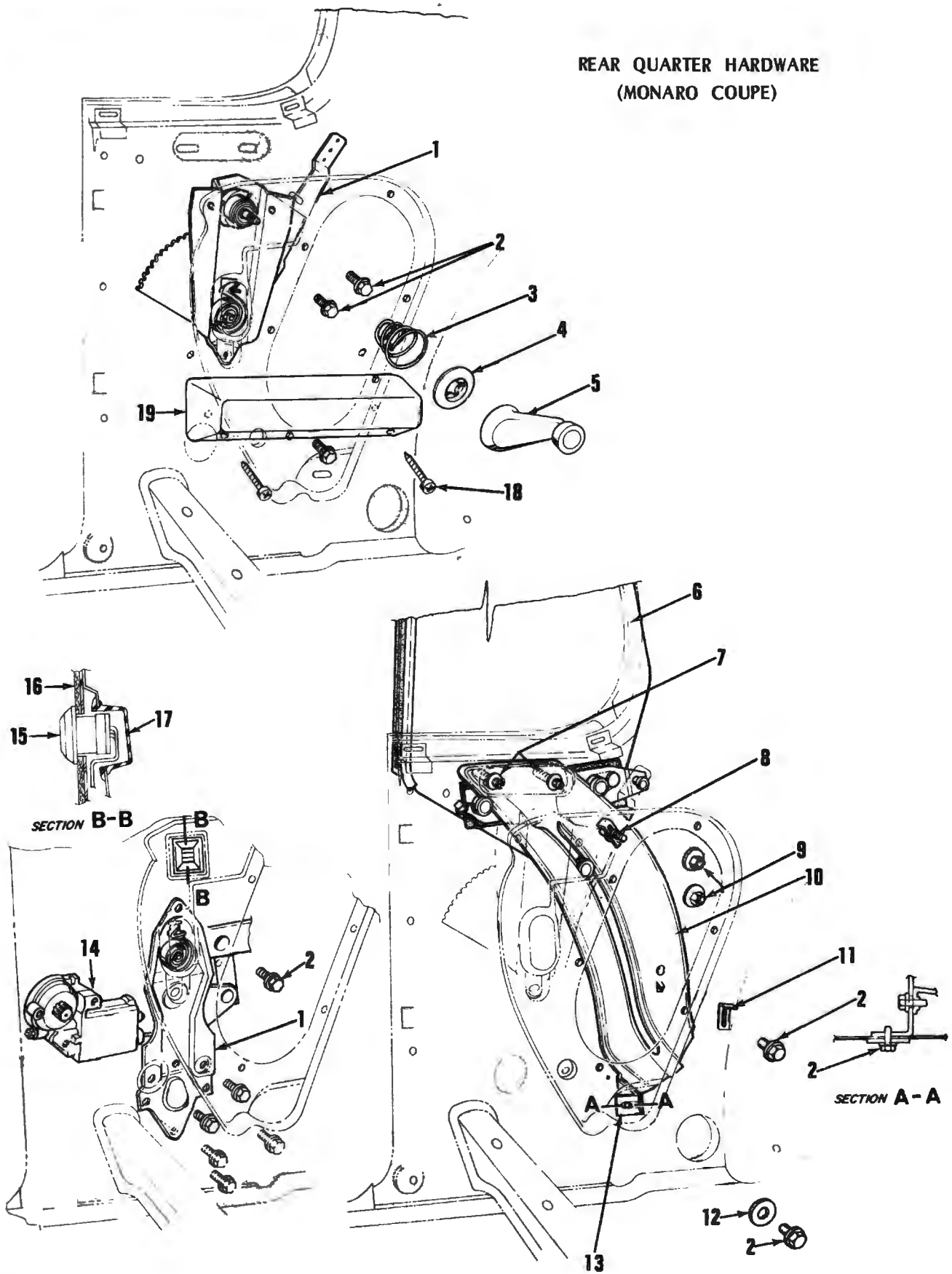


**FRONT DOOR HARDWARE
(MONARO COUPE)**

ILLUSTRATION OPPOSITE

| ILLUS. REF. NO. | PART NAME | GROUP |
|--------------------|--|--------|
| 1. | BOLT - Hex.hd., 1/4" - 20 x 1/2" w/washer | 8.900 |
| 2. | WASHER - Flat, 5/16" x 3/4" x .065" | 8.929 |
| 3. | KNOB - Inside locking rod | 10.599 |
| 4. | WASHER - Spring, .380" - .385" | 8.928 |
| 5. | BOLT - Locking lever | 10.556 |
| 6. | ROD - Handle to lock connector | 10.529 |
| 7. | HANDLE - Door outside | 10.527 |
| 8. | WASHER - Lock, 1/4" Medium | 8.931 |
| 9. | NUT - Hexagon, 1/4" - 20 Light | 8.915 |
| 10. | REGULATOR ASSY. - Window | 10.783 |
| 11. | CAM ASSY. - Front door | 10.702 |
| 12. | MOTOR ASSY. - Door window | 10.784 |
| 13. | SCREW - Pan hd., No.14 - 10 x 2" cr. rec. .. | 8.977 |
| 14. | ARM REST ASSY. | 14.686 |
| 15. | STUD - Cam to door | 10.702 |
| 16. | SWITCH ASSY. - Power window | 10.777 |
| 17. | ROD - Connecting | 10.506 |
| 18. | SPRING - Handle escutcheon | 10.806 |
| 19. | PLATE - Handle bearing | 10.797 |
| 20. | HANDLE ASSY. | 10.797 |
| 21. | SPRING - Frt. door remote control | 10.516 |
| 22. | PLATE - Inside door handle bearing | 10.515 |
| 23. | HANDLE - Door remote control | 10.512 |
| 24. | WASHER - Lock, No. 10 Medium | 8.931 |
| 25. | BOLT - Pan hd., No.10 - 24 x 5/16" cr. rec. .. | 8.910 |
| 26. | LOCK ASSY. - Door | 10.470 |
| 27. | SCREW - Oval hd.cr.rec. w/lock washer | 10.470 |
| 28. | ROD - Door inside locking | 10.556 |
| 29. | ROD - Door lock to lock cyl. connector | 10.507 |
| 30. | SERVICE PACKAGE - Uncoded | 10.550 |
| 31. | ROD - Door inside locking | 10.563 |
| 32. | CONTROL ASSY. - Door | 10.500 |

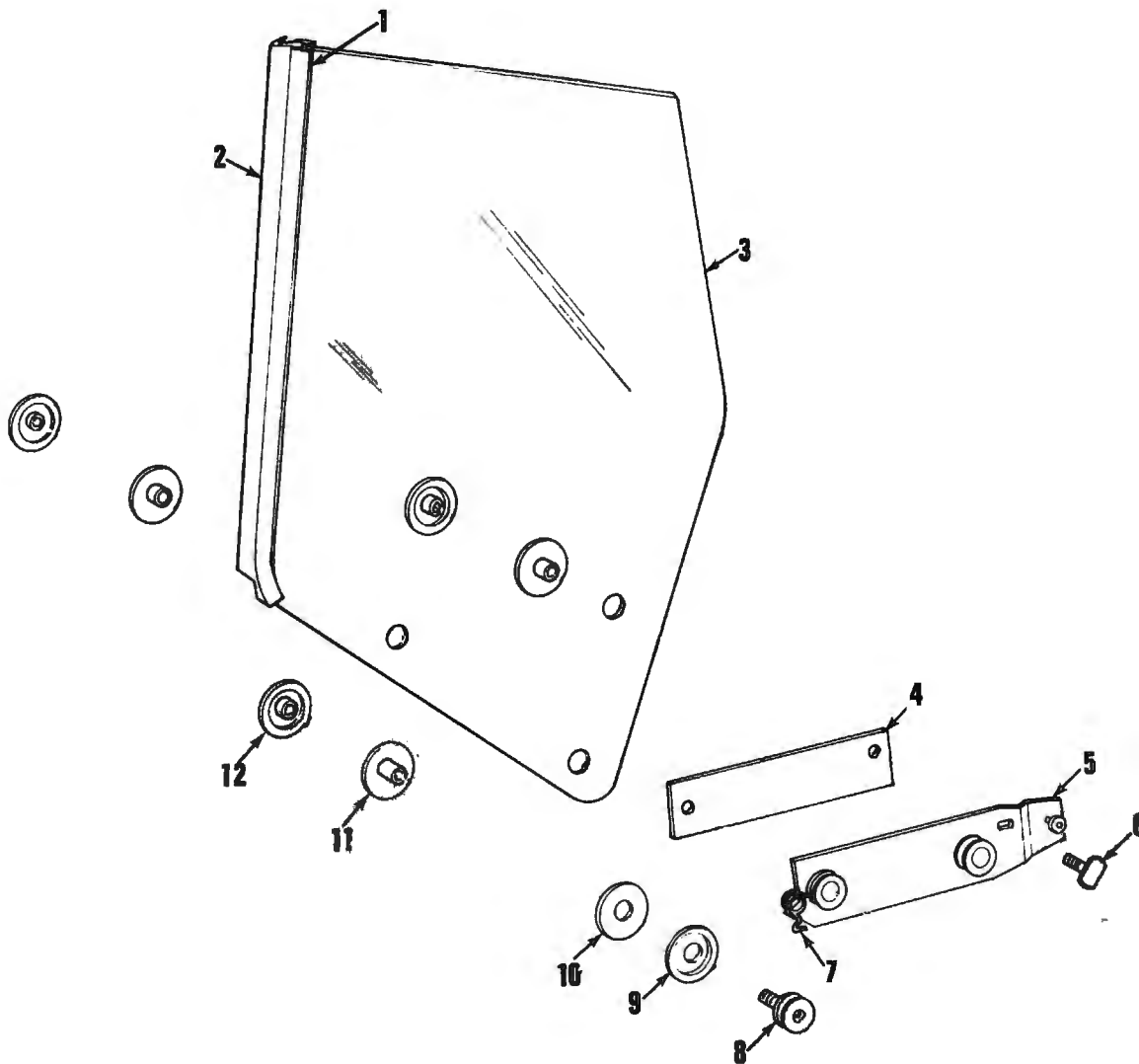
**REAR QUARTER HARDWARE
(MONARO COUPE)**



**REAR QUARTER HARDWARE
(MONARO COUPE)**

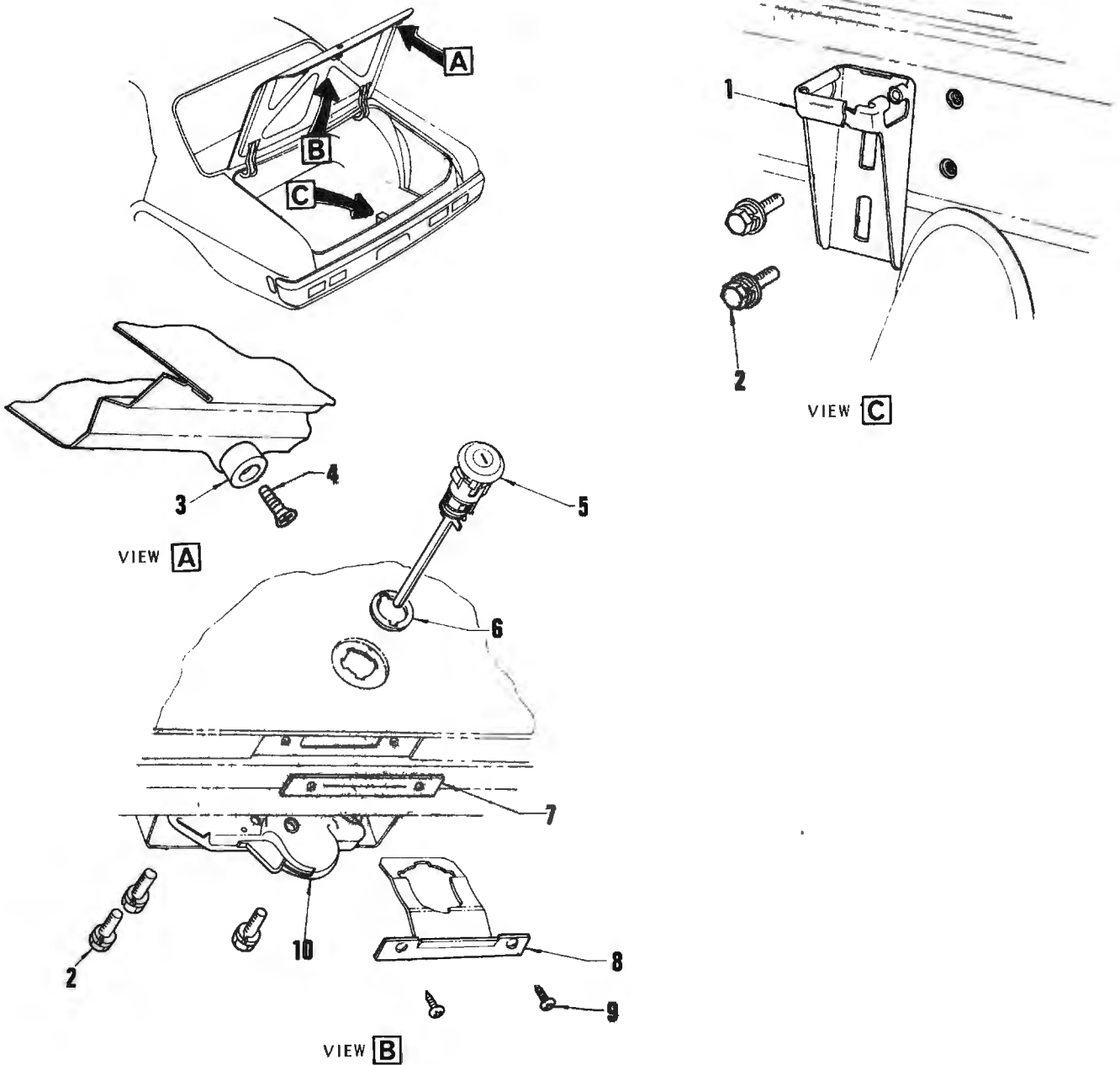
ILLUSTRATION OPPOSITE

| ILLUS. REF. NO. | PART NAME | GROUP |
|--------------------|---|--------|
| 1. | REGULATOR ASSY. - R/quarter window | 11.041 |
| 2. | BOLT - Hex.hd., 1/4" - 20 x 1/2" w/washer | 8.900 |
| 3. | SPRING - R/qtr. window handle escutcheon .. | 11.045 |
| 4. | PLATE - Handle bearing | 11.044 |
| 5. | HANDLE ASSY. | 11.044 |
| 6. | GLASS - R/quarter window | 11.011 |
| 7. | STUD - Guide to inner panel | 11.040 |
| 8. | STOP - R/quarter window upper | 11.012 |
| 9. | NUT - Guide to inner panel | 11.040 |
| 10. | GUIDE - R/quarter window | 11.040 |
| 11. | STOP - R/quarter window | 11.012 |
| 12. | WASHER - Flat, .281" x 1.30" x .035" | 8.929 |
| 13. | SUPPORT - Guide lower | 11.040 |
| 14. | MOTOR ASSY. - R/quarter window | 11.045 |
| 15. | SWITCH ASSY. - Power windows | 10.777 |
| 16. | TRIM ASSY. - Rear quarter | 15.100 |
| 17. | SEAL - Power window switch dust | 10.777 |
| 18. | SCREW - Pan hd., No.14 - 10 x 2" cr. rec. | 8.977 |
| 19. | ARM REST ASSY. - Rear quarter | 14.762 |



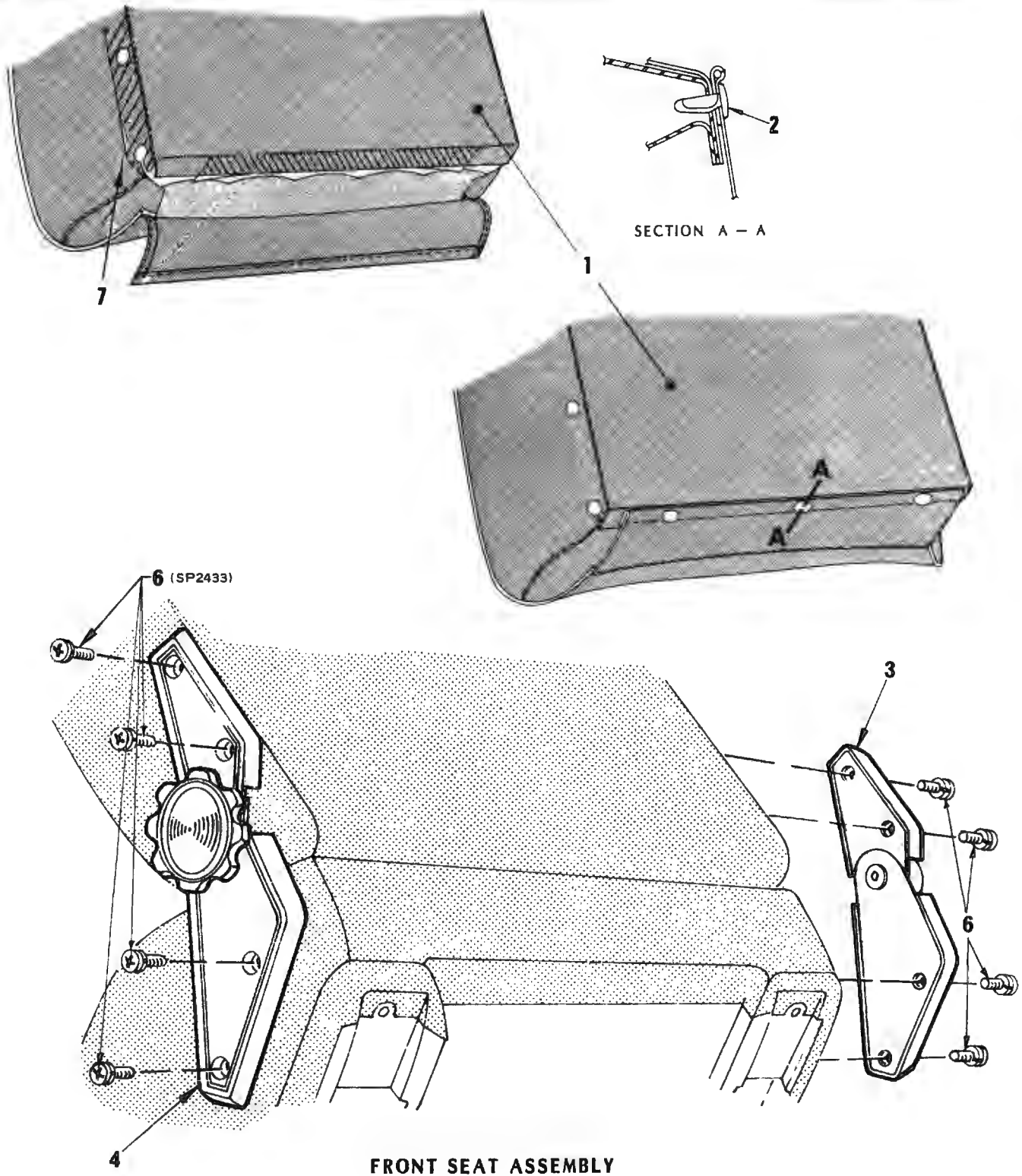
**REAR QUARTER WINDOW
(MONARO COUPE)**

| ILLUS. REF. NO. | PART NAME | GROUP | ILLUS. REF. NO. | PART NAME | GROUP |
|--------------------|---|--------|--------------------|--|--------|
| 1. | CHANNEL - R/qtr. window sash, front | 11.007 | 7. | SPRING - R/qtr. window roller tension | 11.007 |
| 2. | WEATHERSTRIP - R/qtr. window front | 11.015 | 8. | ROLLER ASSY. - R/qtr. window lower | 11.007 |
| 3. | GLASS - R/quarter window | 11.011 | 9. | WASHER - R/qtr. window lower roller (steel) | 11.007 |
| 4. | FILLER - R/quarter window sash, lower | 11.007 | 10. | WASHER - R/qtr. window lower roller (rubber) | 11.007 |
| 5. | PLATE & ROLLER ASSY. - R/qtr. window sash | 11.007 | 11. | BUSHING - R/quarter window roller | 11.007 |
| 6. | PIN - R/quarter window upper rear roller | 11.007 | 12. | NUT - R/quarter window roller tee | 11.007 |



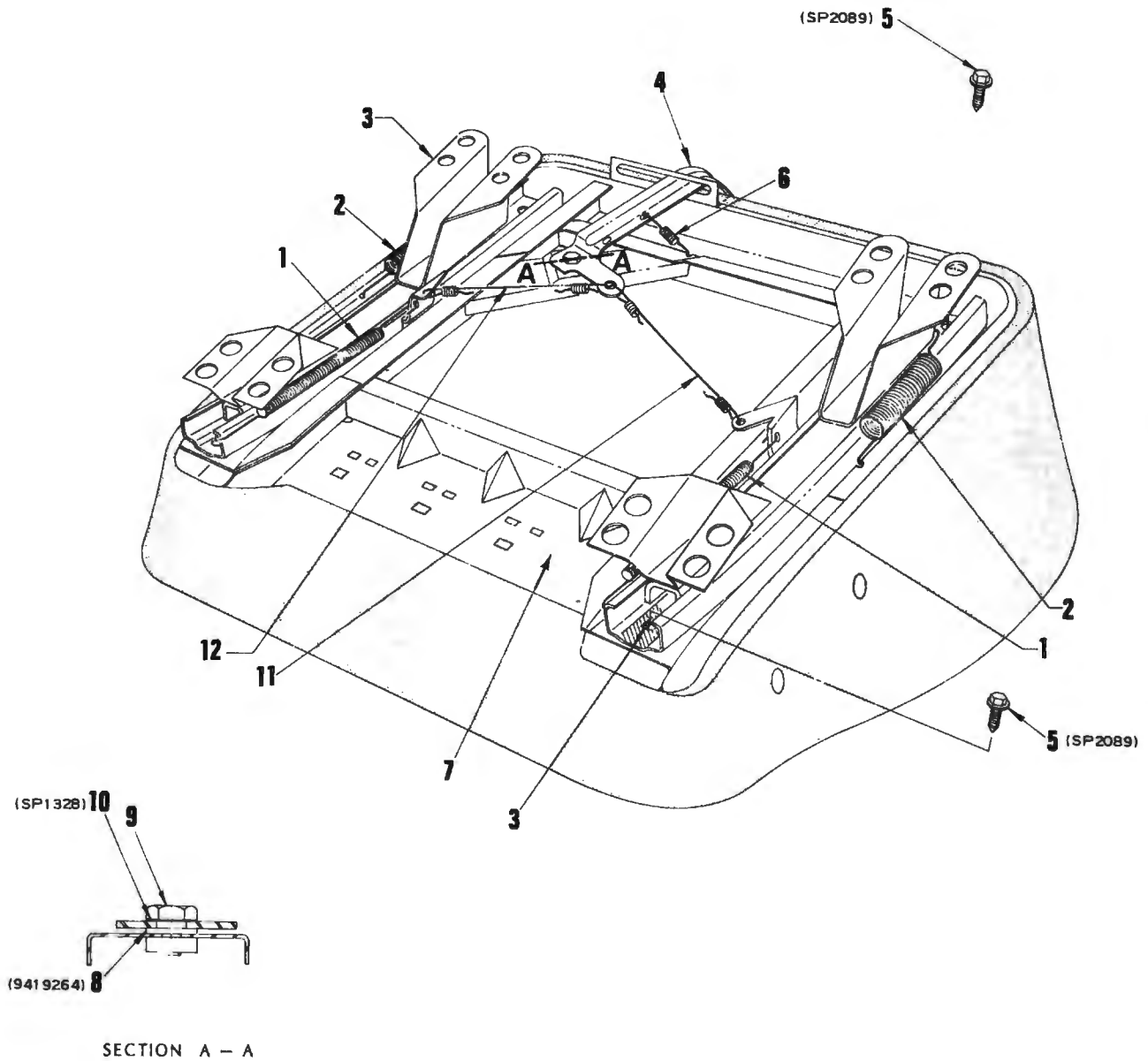
REAR COMPARTMENT LID LOCK

| ILLUS. REF. NO. | PART NAME | GROUP | ILLUS REF. NO. | PART NAME | GROUP |
|-----------------|-------------------------------|--------|----------------|---|--------|
| 1. | STRIKER – Deck lid lock | 12.237 | 6. | GASKET – Deck lid lock cylinder | 12.248 |
| 2. | BOLT – Hex. head. | 8.900 | 7. | GASKET – Lock cylinder retainer | 12.248 |
| 3. | BUMPER ASSY. – Deck lid | 12.212 | 8. | RETAINER – Deck lid lock cylinder | 12.248 |
| 4. | SCREW – Sheet metal | 8.977 | 9. | SCREW – Retainer to inner panel | 12.248 |
| 5. | LOCK SERVICE PACKAGE | 12.248 | 10. | LOCK ASSY. – Deck lid | 12.242 |



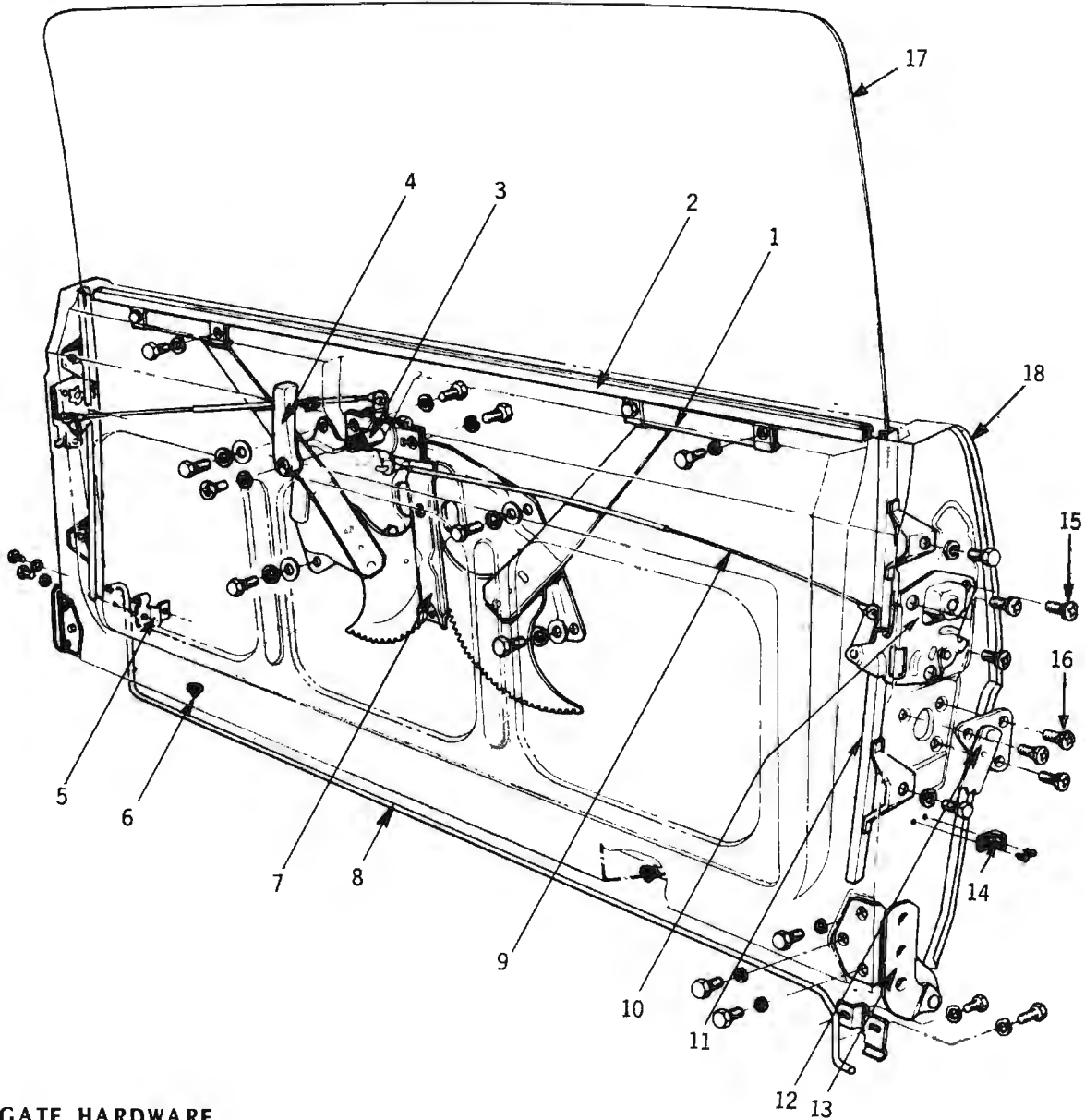
FRONT SEAT ASSEMBLY

| ILLUS. REF. NO. | PART NAME | GROUP | ILLUS. REF. NO. | PART NAME | GROUP |
|-----------------|--|--------|-----------------|-------------------------------------|--------|
| 1. | TRIM ASSY. — Front seat back rear | 14.803 | 5. | WASHER — Flat | 8.929 |
| 2. | FASTENER — Trim | 14.800 | 6. | BOLT — Hexagon head | 8.900 |
| 3. | ARM ASSY. — Front seat reclining | 11.392 | 7. | COVER ASSY. — Front seat back | 14.800 |
| 4. | ADJUSTER ASSY. — Front seat recliner | 11.388 | | | |



FRONT SEAT MECHANISM

| ILLUS. REF. NO. | PART NAME | GROUP | ILLUS. REF. NO. | PART NAME | GROUP |
|-----------------|--------------------------------------|--------|-----------------|--------------------------------------|--------|
| 1. | SPRING - Release lever | 11.581 | 7. | SPRING & FRAME ASSY. - Cushion | 11.373 |
| 2. | SPRING - Assist | 11.581 | 8. | WASHER - Spring | 8.928 |
| 3. | ADJUSTER ASSY. | 11.561 | 9. | BOLT - Handle | 11.588 |
| 4. | HANDLE | 11.588 | 10. | WASHER - Flat | 8.929 |
| 5. | BOLT - Hex. head | 8.900 | 11. | WIRE ASSY. - Long | 11.589 |
| 6. | SPRING - Remote control handle | 11.581 | 12. | WIRE ASSY. - Short | 11.589 |



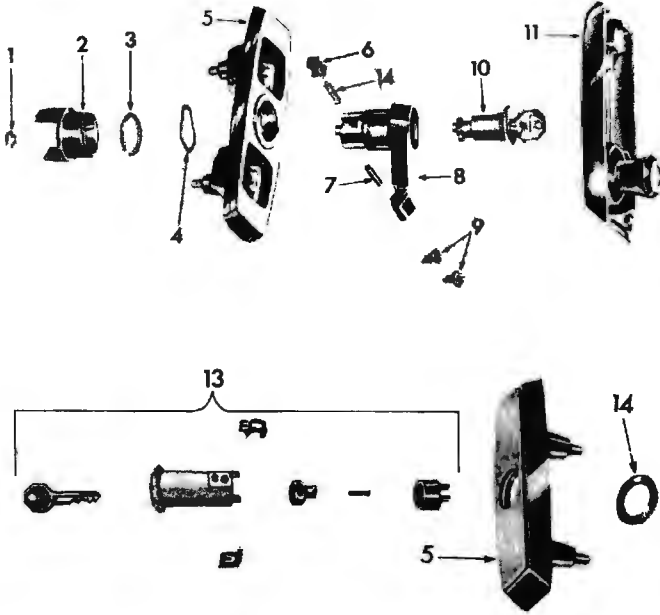
END GATE HARDWARE

| ILLUS. REF. NO. | PART NAME | GROUP | ILLUS. REF. NO. | PART NAME | GROUP |
|-----------------|---------------------------------------|--------|-----------------|----------------------------|--------|
| 1. | CAM ASSY. - Lifter channel | 11.207 | 10. | LOCK ASSY. - End gate | 12.242 |
| 2. | CHANNEL ASSY. - End gate glass lifter | 11.207 | 11. | RETAINER - Lower channel | 11.207 |
| 3. | CONTROL ASSY. - Remote | 12.242 | 12. | ARM ASSY. - Limit | 12.203 |
| 4. | HANDLE - Remote control | 12.247 | 13. | HINGE ASSY. - Gate section | 12.184 |
| 5. | RETAINER - Torque rod to end gate | 12.187 | 14. | BUMPER - Limit arm | 12.212 |
| 6. | BUMPER - Sliding glass channel | 12.212 | 15. | SCREW | 12.242 |
| 7. | REGULATOR | 12.272 | 16. | SCREW - Limit arm | 12.203 |
| 8. | ROD - End gate torque | 12.187 | 17. | GLASS - End gate | 11.204 |
| 9. | ROD - Remote control | 12.241 | 18. | GATE ASSY. - End | 12.179 |

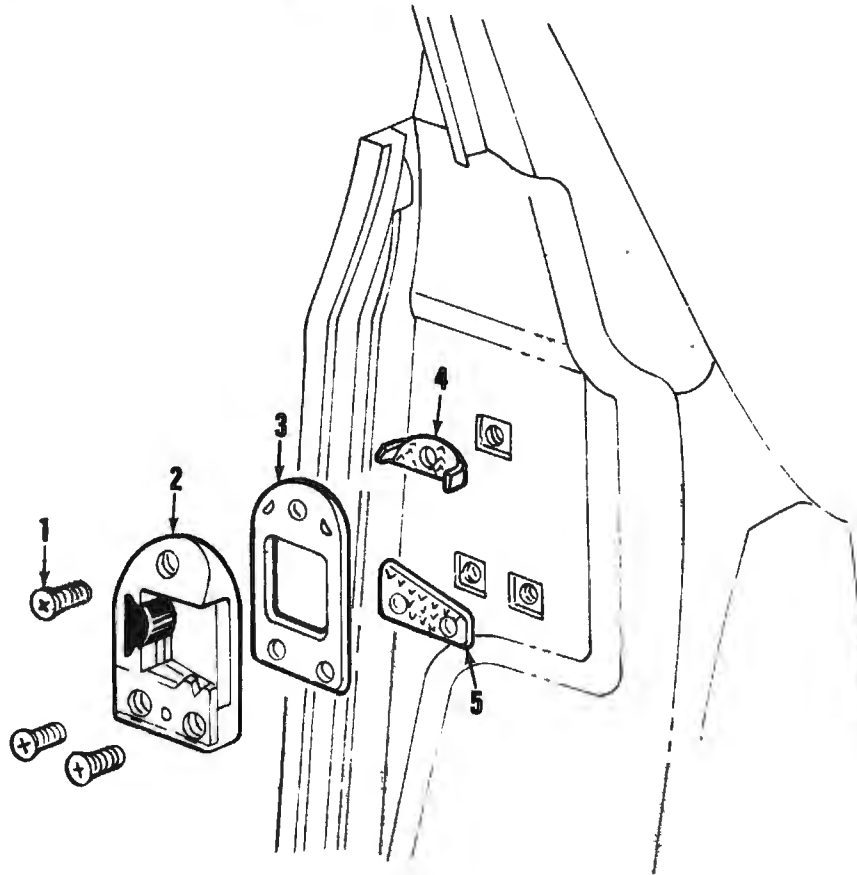
FOR POWER OPERATED WINDOWS (Not Illustrated)

| | | | |
|------------------------|--------|----------------------------|--------|
| MOTOR ASSY. | 12.280 | SEAL - Harness to end gate | 12.277 |
| HARNES - Wiring | 12.277 | SAFETY SWITCH | 12.275 |
| SEAL - Harness to body | 12.277 | CONNECTOR - Control switch | 12.277 |

END GATE REGULATOR and LOCK

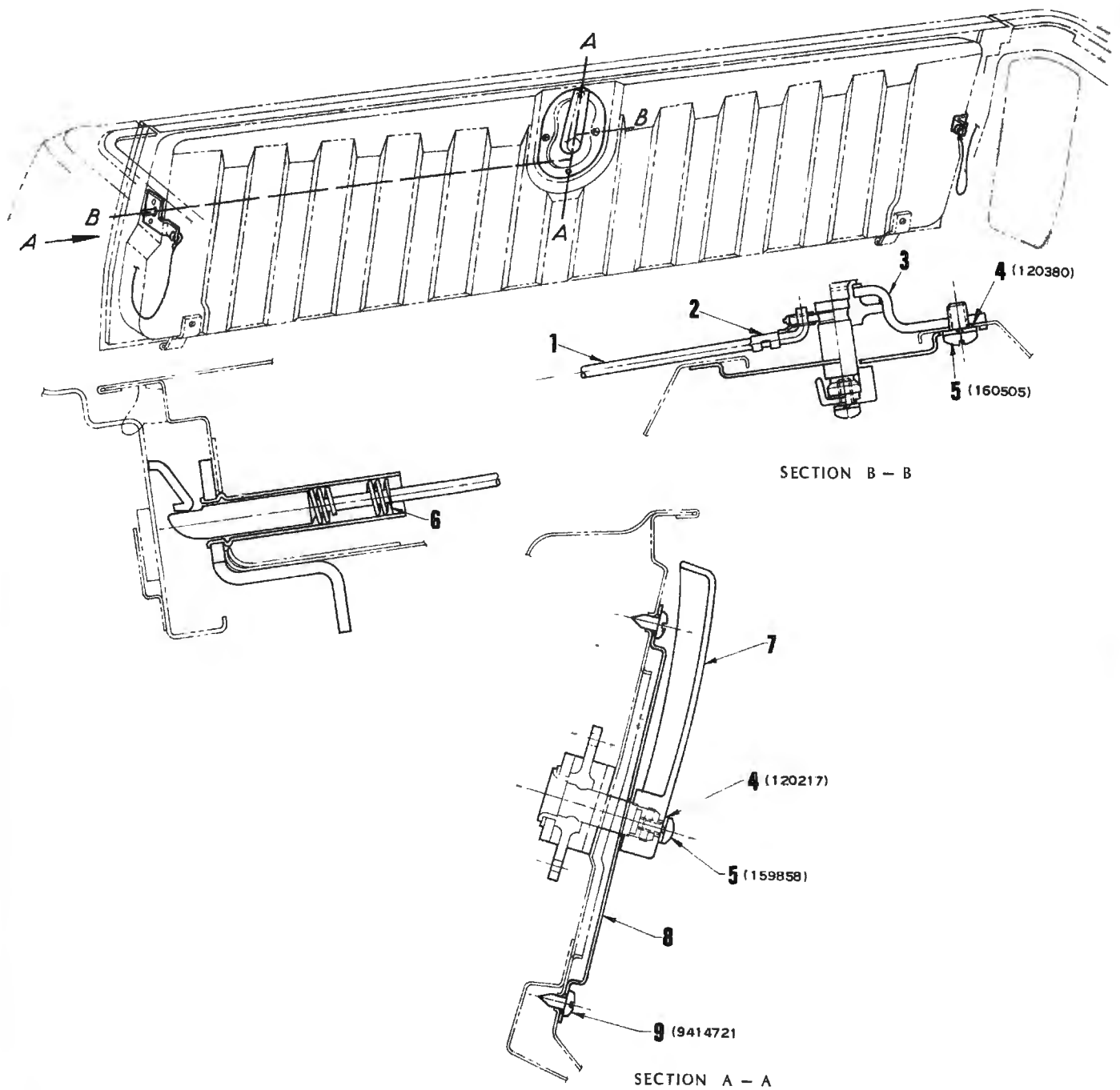


| ILLUS. REF. NO. | PART NAME | GROUP |
|-----------------|---|--------|
| 1. | RING - Reg. handle clutch retainer | 12.247 |
| 2. | CLUTCH - Regulator handle | 12.247 |
| 3. | RING - Reg. handle driver retainer | 12.247 |
| 4. | WASHER - Reg. handle spring | 12.247 |
| 5. | ESCUTCHEON - Reg. handle | 12.249 |
| 6. | PAWL - Reg. lock cylinder | 12.248 |
| 7. | PIN - Reg. handle hinge | 12.247 |
| 8. | DRIVER - Regulator handle | 12.247 |
| 9. | SCREW - Pan hd. No. 8 - 18 x 1/4" cr. rec. .. | 8.977 |
| 10. | BARREL & KEY ASSY. - Reg. outer handle | 12.248 |
| 11. | HANDLE ASSY. - Regulator | 12.247 |
| 12. | SPRING - Reg. lock cylinder pawl | 12.248 |
| 13. | BARREL, KEY & SWITCH ASSY. - Window switch | 12.248 |
| 14. | RETAINER - Window lock cylinder | 12.248 |



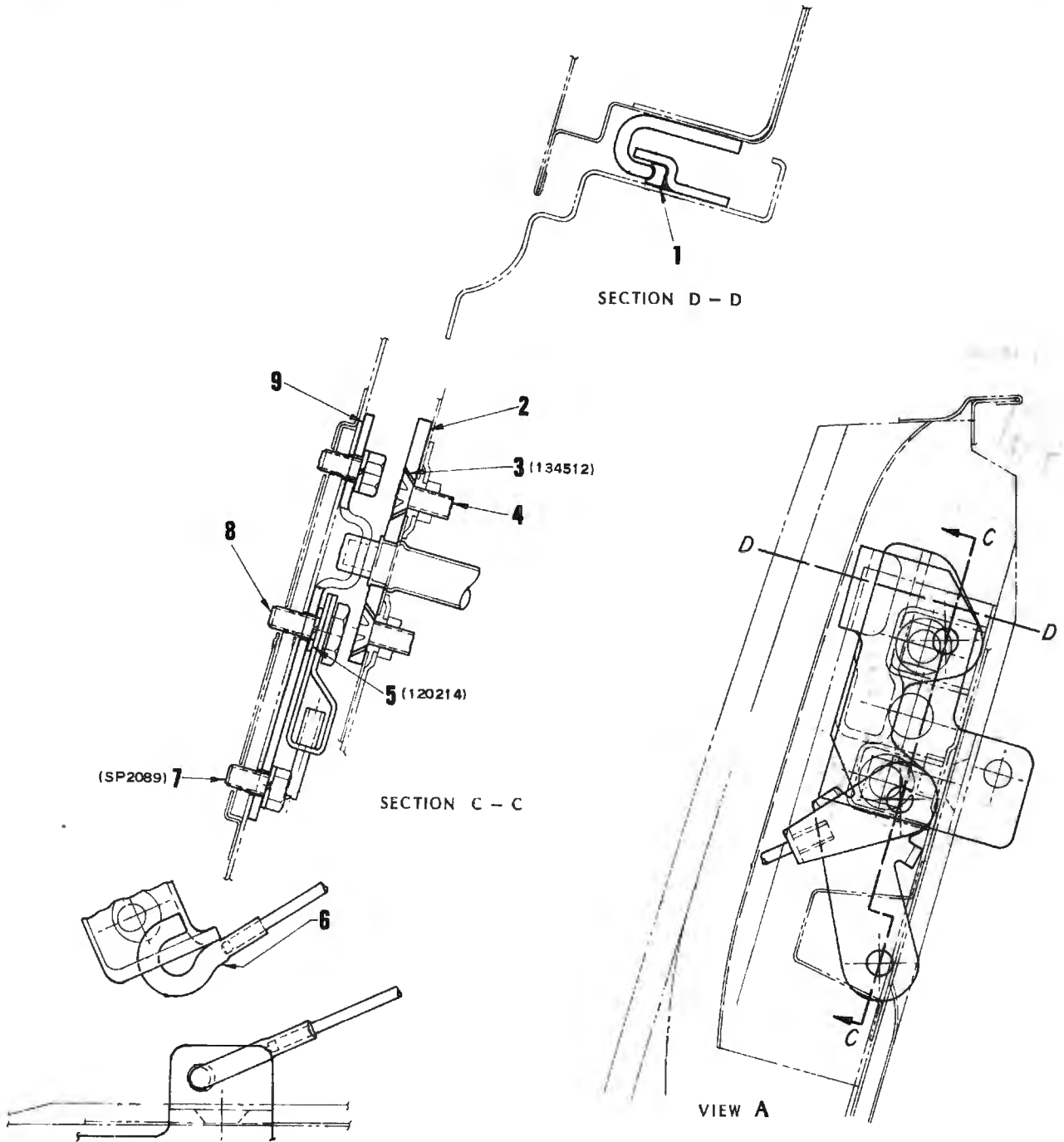
END GATE STRIKER

| ILLUS. REF. NO. | PART NAME | GROUP | ILLUS. REF. NO. | PART NAME | GROUP |
|-----------------|-------------------------------|--------|-----------------|---|--------|
| 1. | SCREW | 12.237 | 4. | PLATE - End gate striker adjusting, upper | 12.237 |
| 2. | STRIKER - End gate lock | 12.237 | 5. | PLATE - End gate striker adjusting, lower | 12.237 |
| 3. | SPACER | 12.237 | | | |



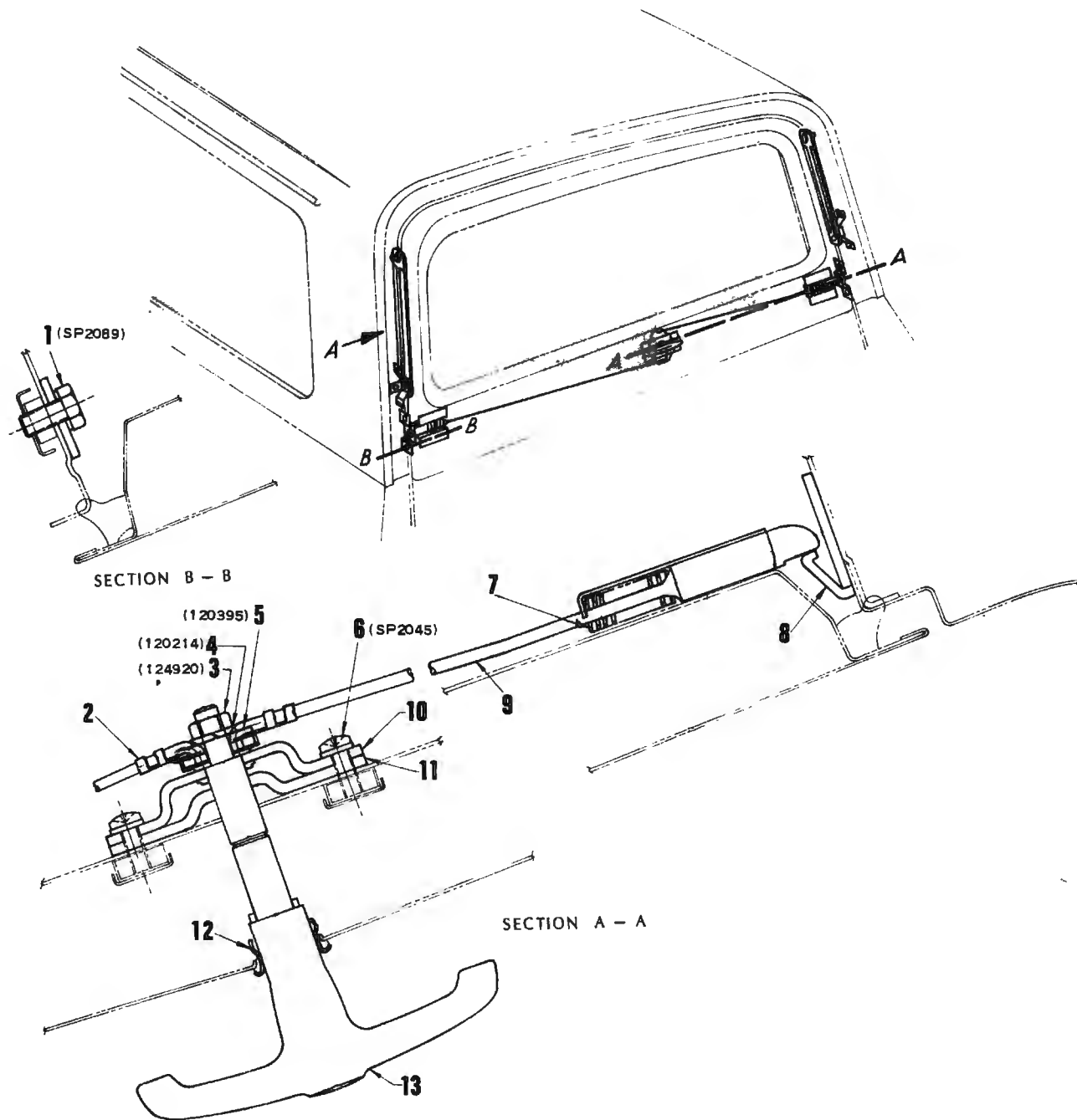
LOWER END GATE HARDWARE

| ILLUS. REF. NO. | PART NAME | GROUP | ILLUS. REF. NO. | PART NAME | GROUP |
|-----------------|--|--------|-----------------|-----------------------------------|--------|
| 1. | PLUNGER ASSY. - Lower end gate lock .. | 12.241 | 6. | SPRING - Lock bar | 12.241 |
| 2. | CLIP - Lock bar | 12.241 | 7. | HANDLE - Remote control | 12.247 |
| 3. | PLATE ASSY. - Lower end gate lock base | 12.242 | 8. | PLATE - End gate lock cover | 12.242 |
| 4. | WASHER - Lock | 8.931 | 9. | SCREW - Sheet metal | 8.977 |
| 5. | BOLT - Pan head | 8.910 | | | |



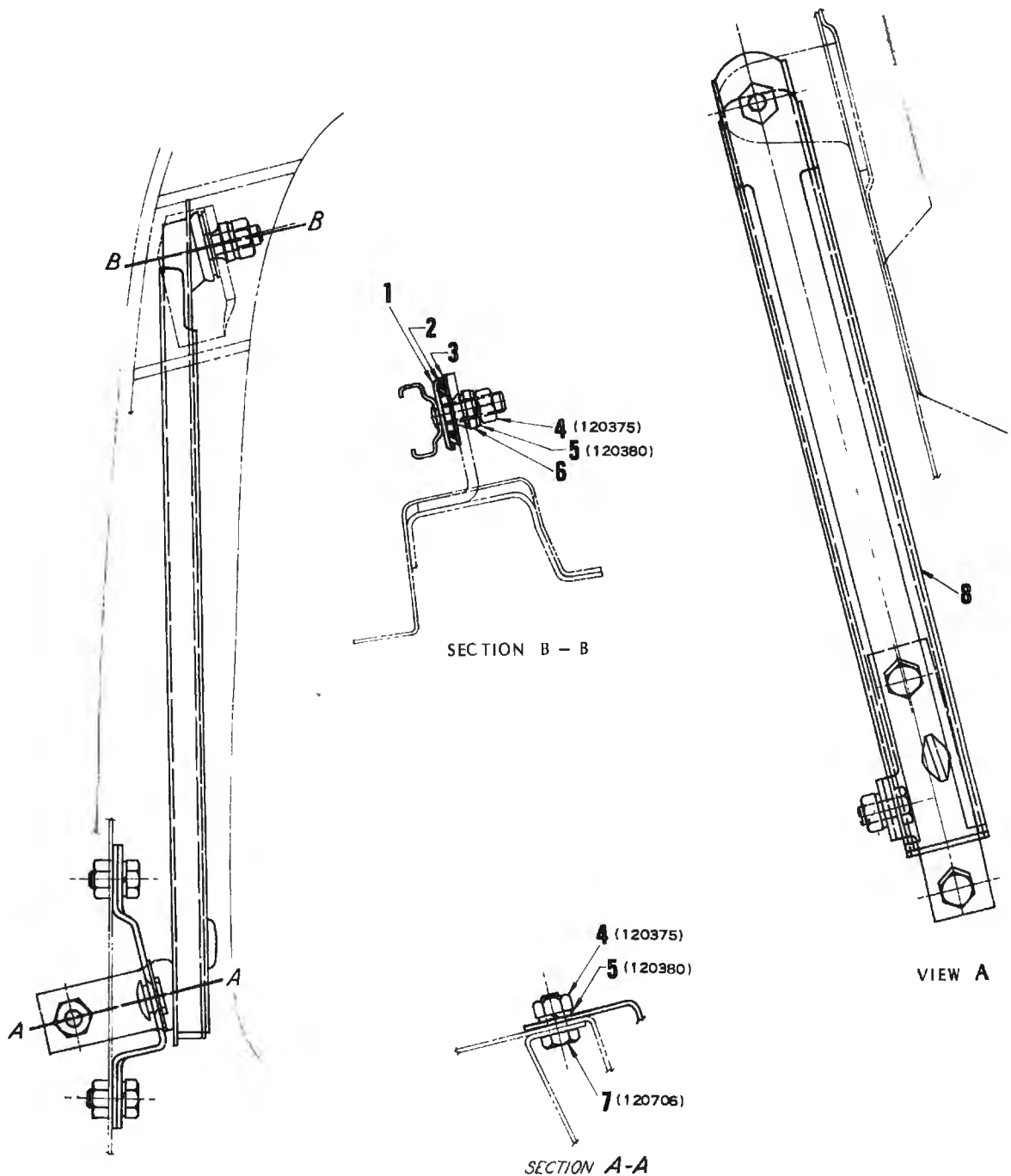
LOWER END GATE HARDWARE

| ILLUS. REF. NO. | PART NAME | GROUP | ILLUS. REF. NO. | PART NAME | GROUP |
|-----------------|--------------------------------------|--------|-----------------|--|--------|
| 1. | BUMPER | 12.240 | 6. | CABLE ASSY. - Lower end gate limit | 12.203 |
| 2. | GUIDE - Lower lock plunger | 12.241 | 7. | BOLT - Hex, head | 8.900 |
| 3. | WASHER - Shakeproof | 8.932 | 8. | BOLT - Lower end gate limit cable | 12.203 |
| 4. | SCREW - End gate hinge to body | 12.184 | 9. | PLATE - Lower end gate striker | 12.237 |
| 5. | WASHER - Lock | 8.931 | | | |



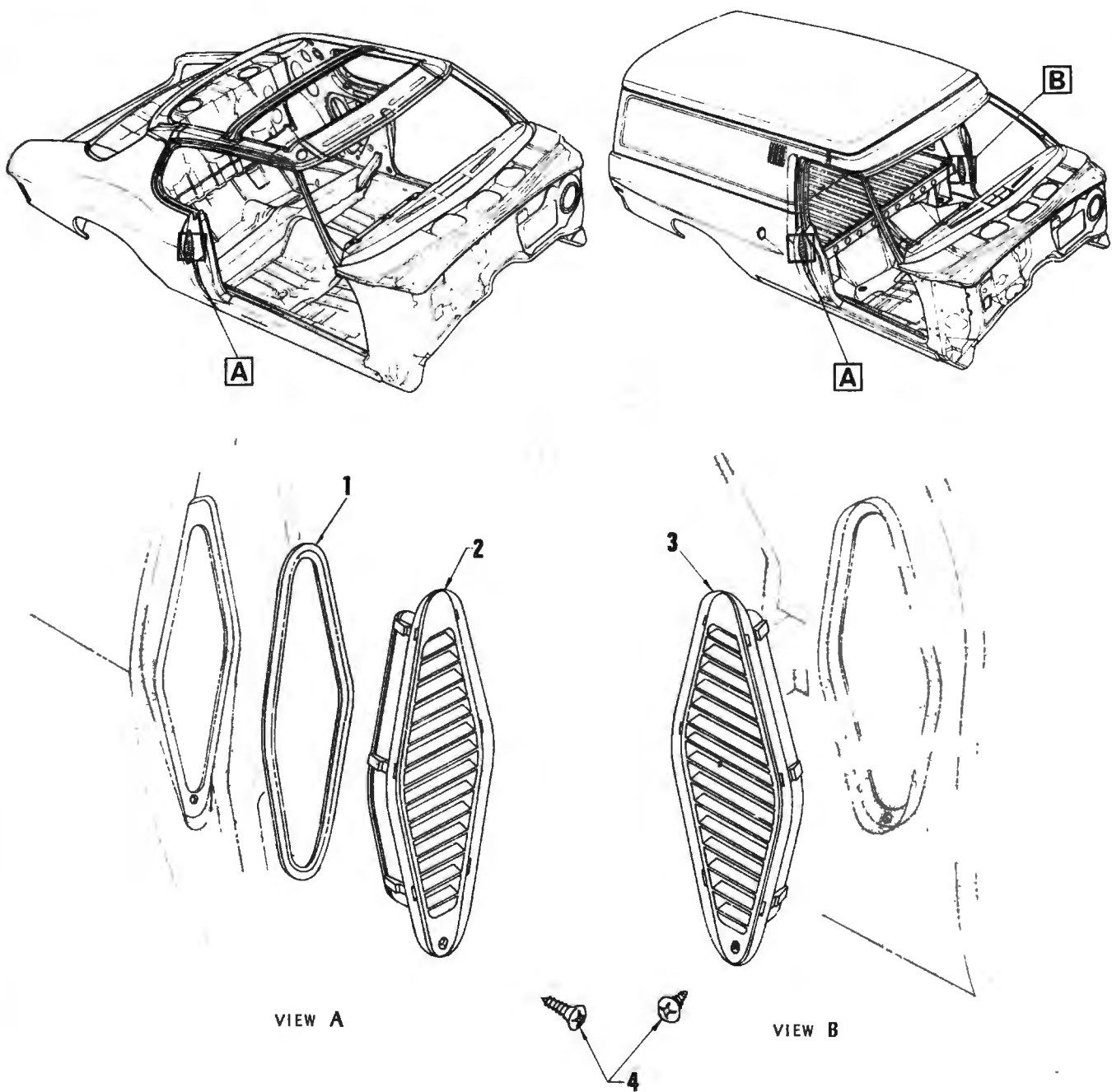
UPPER END GATE HARDWARE

| ILLUS. REF. NO. | PART NAME | GROUP | ILLUS. REF. NO. | PART NAME | GROUP |
|-----------------|-------------------------|--------|-----------------|--|--------|
| 1. | BOLT - Hex. head | 8.900 | 8. | PLATE - Upper end gate striker | 12.237 |
| 2. | CLIP - Lock bar | 12.241 | 9. | PLUNGER ASSY. - Upper end gate lock | 12.241 |
| 3. | NUT - Hex. jam | 8.916 | 10. | PLATE & ARM ASSY. - Upper end gate lock base | 12.242 |
| 4. | WASHER - Lock | 8.931 | 11. | PLATE - Upper end gate locking | 12.242 |
| 5. | WASHER - Flat | 8.929 | 12. | FERRULE ASSY. - Upper end gate handle | 12.247 |
| 6. | BOLT - Pan head | 8.910 | 13. | HANDLE ASSY. - Upper end gate | 12.247 |
| 7. | SPRING - Lock bar | 12.241 | | | |



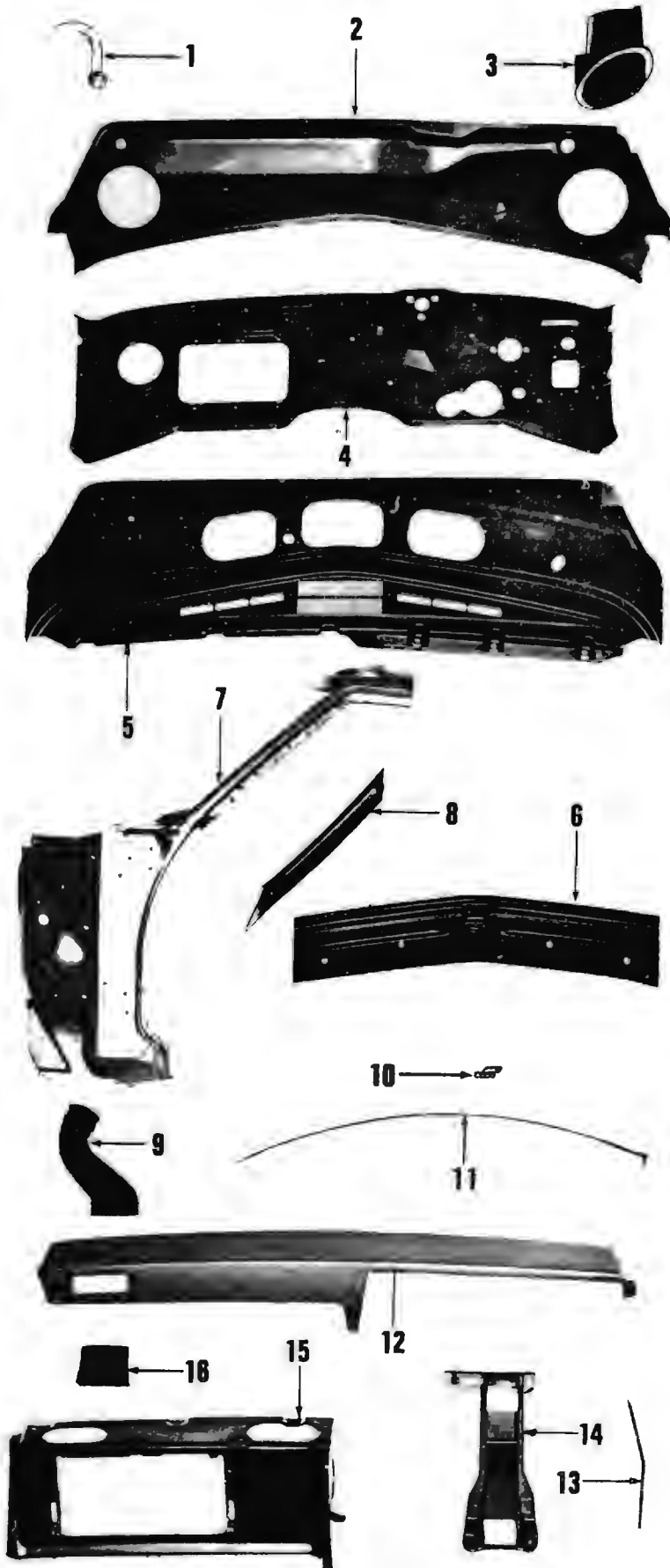
UPPER END GATE HARDWARE

| ILLUS. REF. NO. | PART NAME | GROUP | ILLUS. REF. NO. | PART NAME | GROUP |
|-----------------|-------------------------------------|--------|-----------------|---|--------|
| 1 | WASHER - Upper inner, cup | 12.203 | 5. | WASHER - Lock | 8.931 |
| 2. | WASHER - Upper inner, rubber | 12.203 | 6. | SPACER - Upper inner | 12.203 |
| 3. | WASHER - Upper inner, plastic | 12.203 | 7. | BOLT - Hex. head | 8.900 |
| 4. | NUT - Hexagon | 8.915 | 8. | ARM ASSY. - Upper end gate hold open .. | 12.203 |



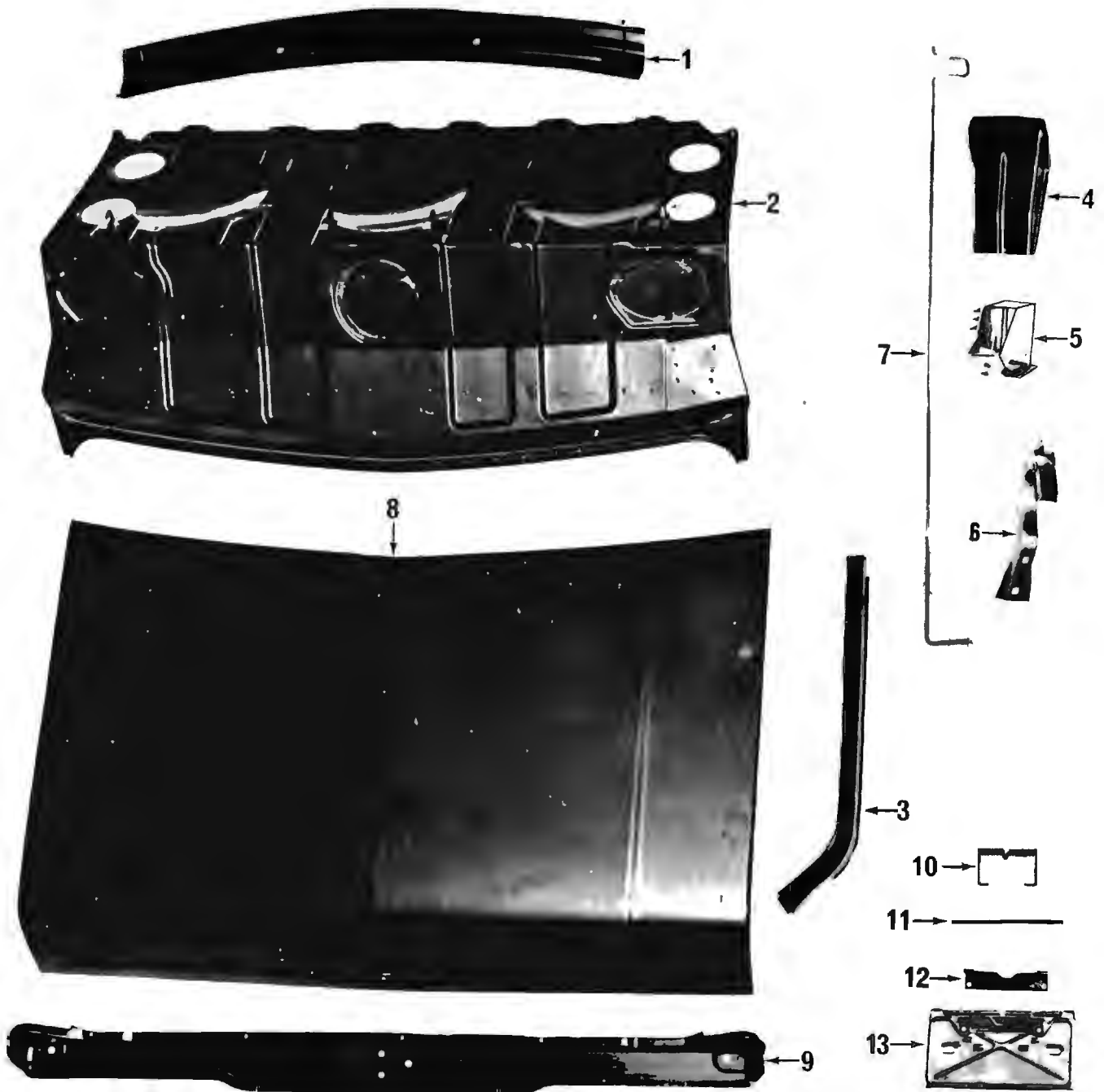
BODY LOCK PILLAR RELIEF VALVE

| ILLUS. REF. NO. | PART NAME | GROUP | ILLUS. REF. NO. | PART NAME | GROUP |
|-----------------|-------------------------------------|--------|-----------------|-----------------------------|--------|
| 1. | SEAL – Relief valve | 12.942 | 3. | GRILLE – Relief valve | 12.942 |
| 2. | VALVE ASSY. – Pressure relief | 12.942 | 4. | SCREW | 12.942 |



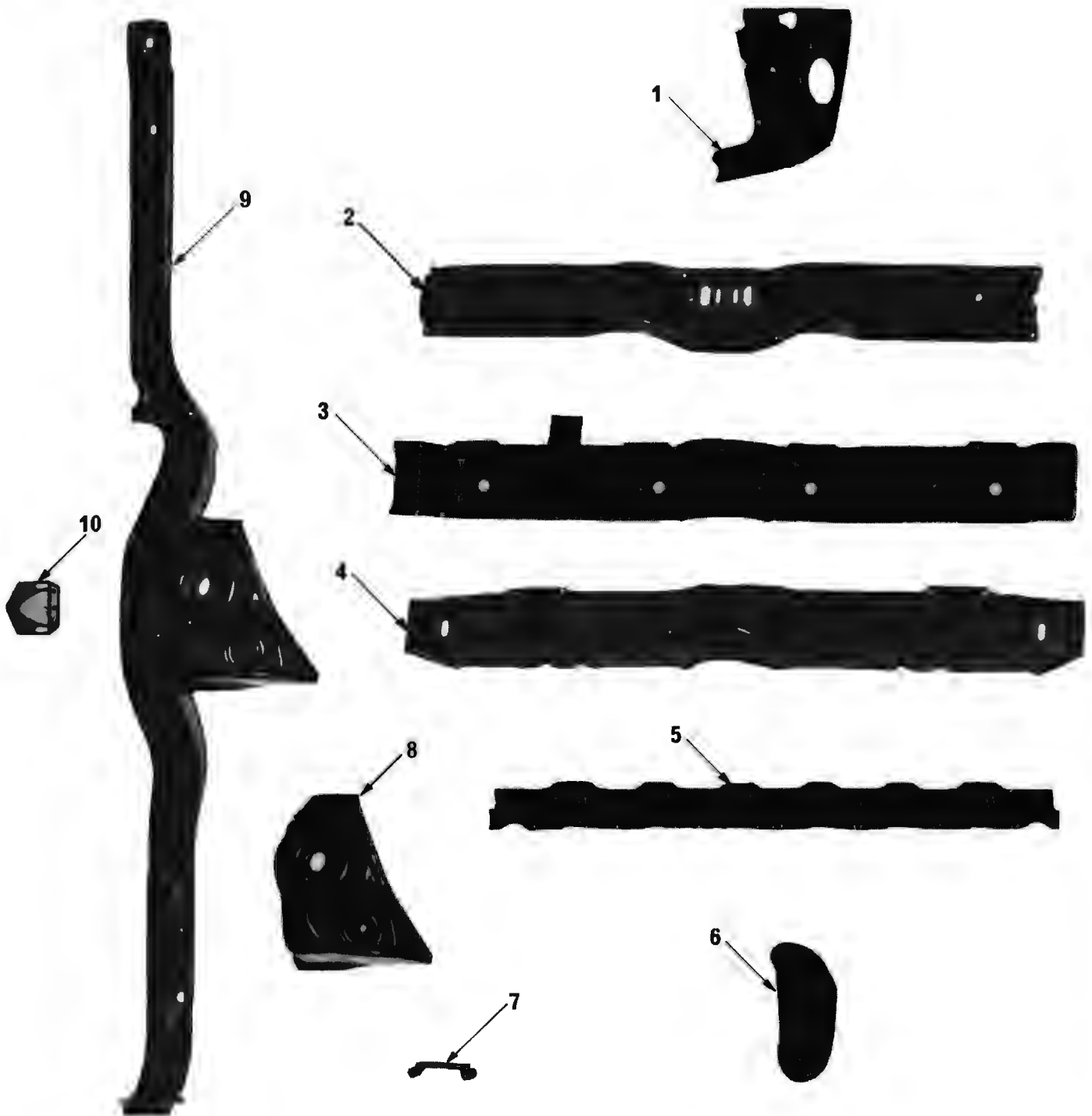
FRONT END BODY PANELS

| ILLUS. REF. NO. | PART NAME | GROUP |
|-----------------|--|--------|
| 1. | TUBE - Plenum chamber drain | 9.785 |
| 2. | PANEL ASSY. - Plenum chamber | 12.803 |
| 3. | OUTLET ASSY. - Plenum chamber | 12.803 |
| 4. | PANEL ASSY. - Dash | 12.804 |
| 5. | PANEL ASSY. - Cowl top | 12.805 |
| 6. | FRAME - Windshield | 12.807 |
| 7. | PILLAR ASSY. - Front body | 12.805 |
| 8. | PANEL - Frt. body pillar garnish | 10.051 |
| 9. | DUCT - Upper vent outlet | 9.779 |
| 10. | BRACKET - Plenum chamber outlet control | 9.787 |
| 11. | CONTROL ASSY. - Plenum chamber outlet | 9.787 |
| 12. | PAD ASSY. - Instrument panel .. | 14.655 |
| 13. | SUPPORT - Instrument panel assy. to dash | 6.761 |
| 14. | BRACE ASSY. - Stg. col. to dash | 6.761 |
| 15. | PANEL ASSY. - Instrument | 10.230 |
| 16. | OUTLET ASSY. - Upper level vent | 9.779 |



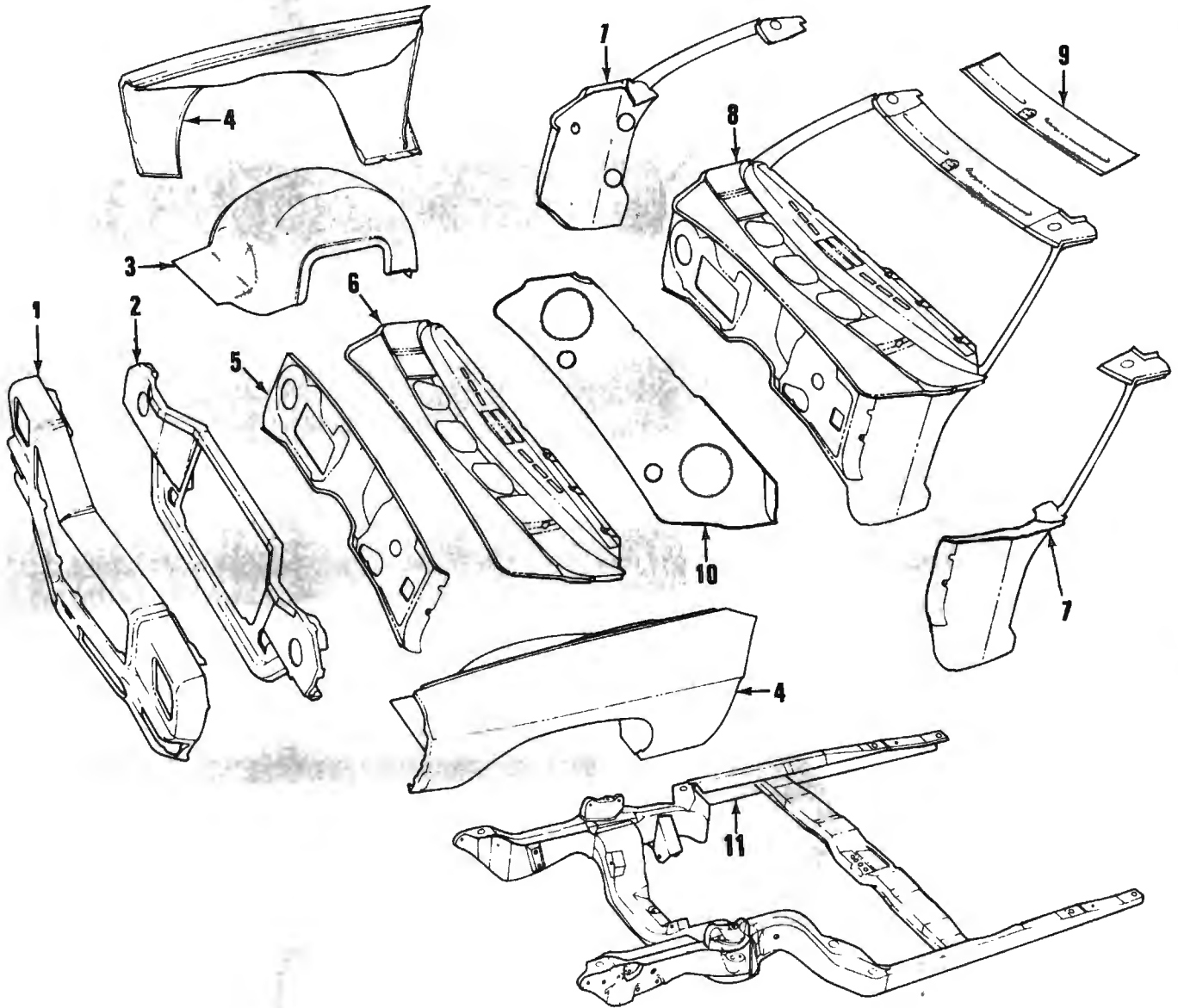
**REAR END BODY PANELS
(Sedan & Monaro)**

| ILLUS. REF. NO. | PART NAME | GROUP | ILLUS. REF. NO. | PART NAME | GROUP |
|--------------------|---|--------|--------------------|--|--------|
| 1. | FRAME — Rear window | 11.200 | 8. | LID ASSEMBLY — Deck | 12.181 |
| 2. | PANEL ASSY. — Rear compartment front | 12.971 | 9. | PANEL — Rear end inner | 12.966 |
| 3. | REINF. — Rear compartment front | 12.971 | 10. | SPRING — Fuel tank filler door | 12.966 |
| 4. | BRACE — Deck lid hinge bracket | 12.184 | 11. | PIN — Fuel tank filler door | 12.966 |
| 5. | BRACKET ASSY. — Deck lid hinge mounting | 12.184 | 12. | BRACKET — Fuel tank filler door | 12.966 |
| 6. | HINGE ASSY. — Deck lid | 12.184 | 13. | DOOR ASSEMBLY — Fuel tank filler | 12.966 |
| 7. | ROD — Deck lid torque | 12.187 | | | |



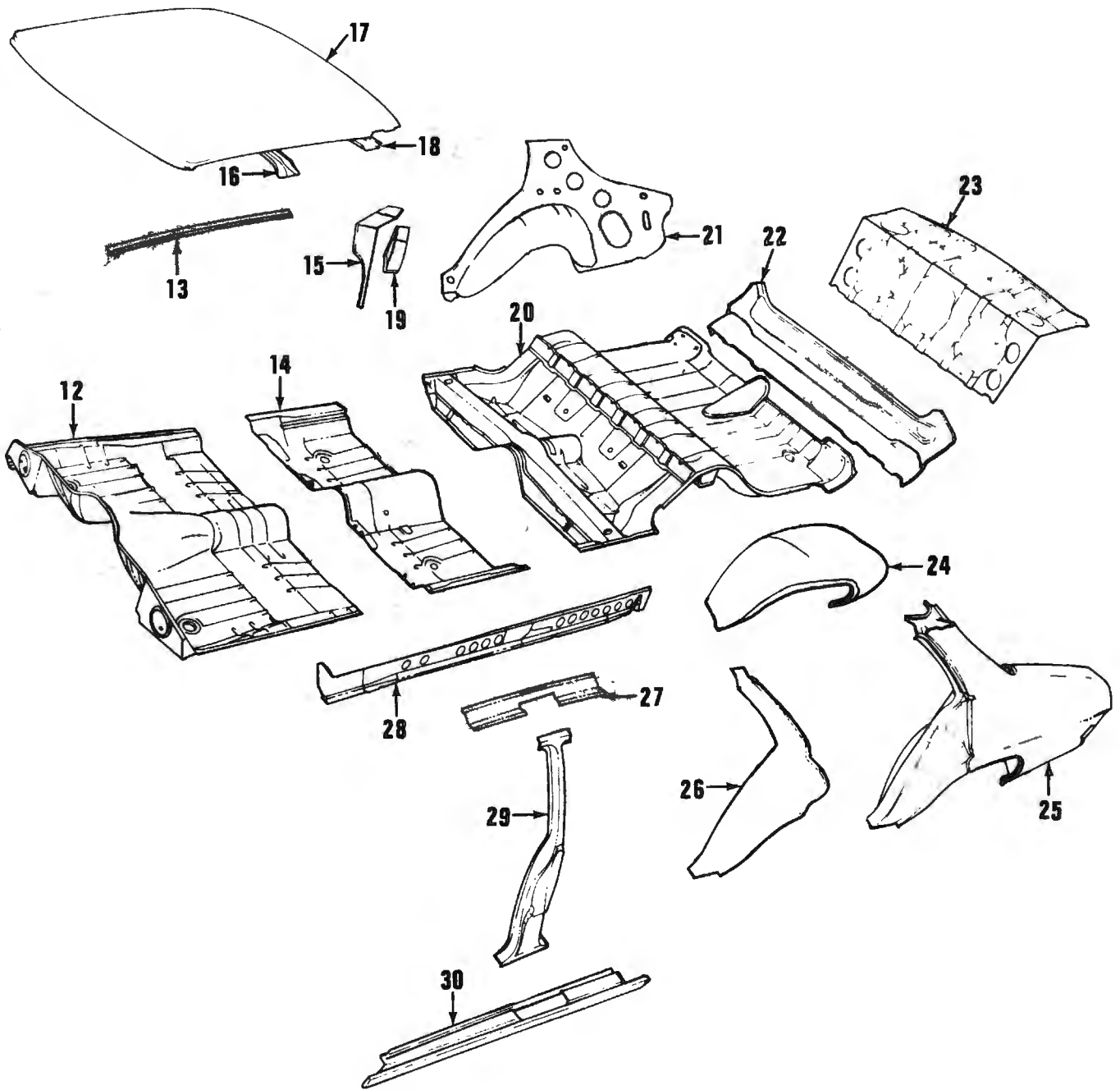
UNDERBODY MEMBERS

| ILLUS. REF. NO. | PART NAME | GROUP | ILLUS. REF. NO. | PART NAME | GROUP |
|-----------------|---|--------|-----------------|--|--------|
| 1. | BRACE ASSY. — Frame to floor pan | 12.972 | 6. | PROTECTOR — Fuel filler pipe | 3.003 |
| 2. | MEMBER — Transmission mounting cross | 12.982 | 7. | SPACER — Rear bumper bar mounting | 7.865 |
| 3. | BAR ASSY. — Underbody No. 1 cross | 12.982 | 8. | BRACKET — Rear spring & shock abs. mtg. | 12.984 |
| 4. | BAR ASSY. — Underbody No. 2 cross | 12.982 | 9. | MEMBER — Underbody side | 12.982 |
| 5. | BAR ASSY. — Underbody No. 3 cross | 12.982 | 10. | MOUNTING — Rear axle bumper | 7.536 |



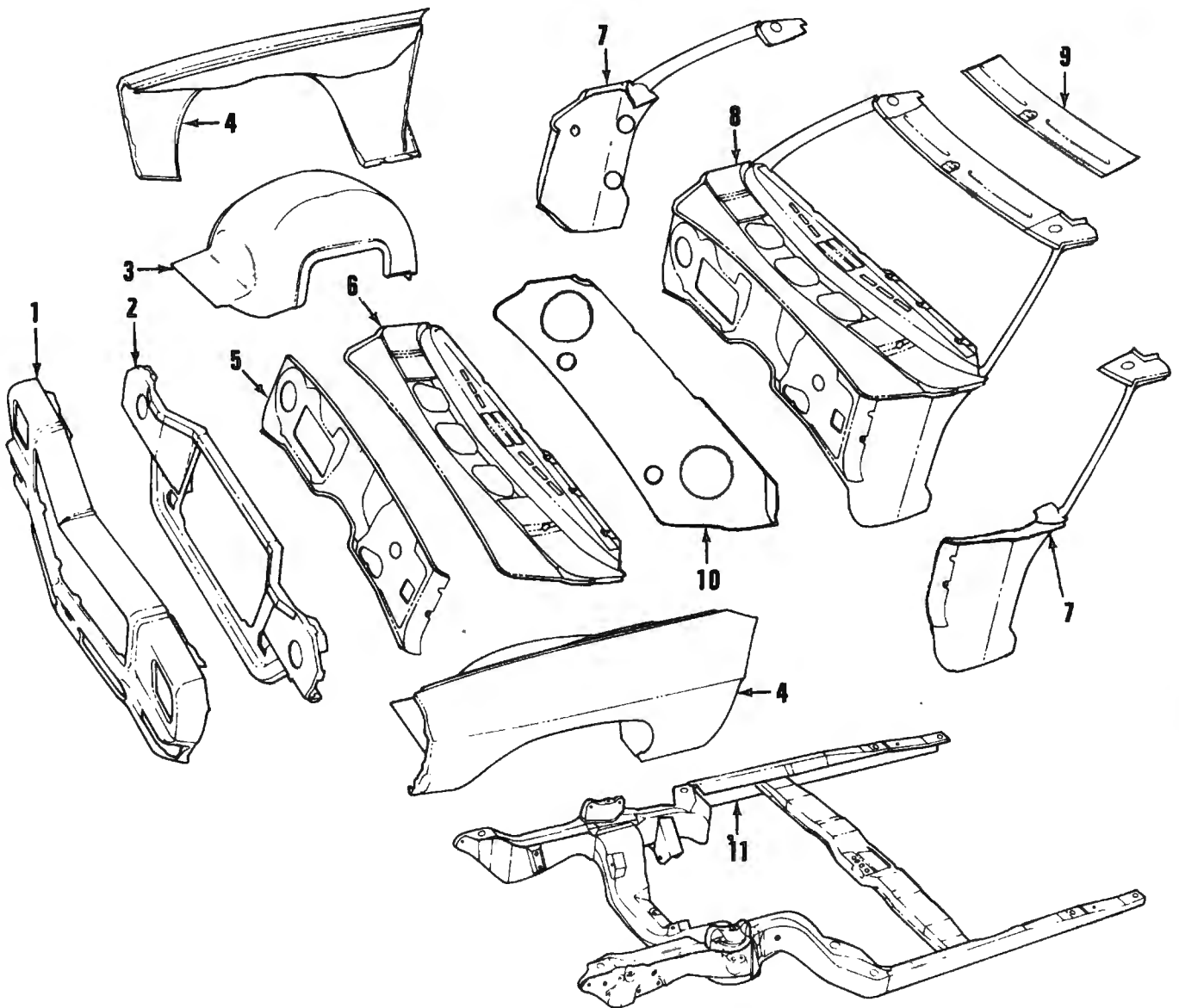
SEDAN BODY PANELS

| ILLUS. REF. NO. | PART NAME | GROUP | ILLUS. REF. NO. | PART NAME | GROUP |
|-----------------|--------------------------------------|--------|-----------------|------------------------------------|--------|
| 1. | PANEL — Front end | 1.266 | 7. | PILLAR ASSY. — Front body..... | 12.805 |
| 2. | PANEL ASSY. — Radiator support | 1.270 | 8. | COWL ASSY. | 12.803 |
| 3. | SKIRT ASSY. — Front fender | 8.153 | 9. | FRAME — Windshield | 12.807 |
| 4. | FENDER ASSY. — Front | 8.130 | 10. | PANEL ASSY. — Plenum chamber | 12.803 |
| 5. | PANEL ASSY. — Dash | 12.804 | 11. | FRAME ASSY. | 7.003 |
| 6. | PANEL ASSY. — Cowl top | 12.805 | | | |



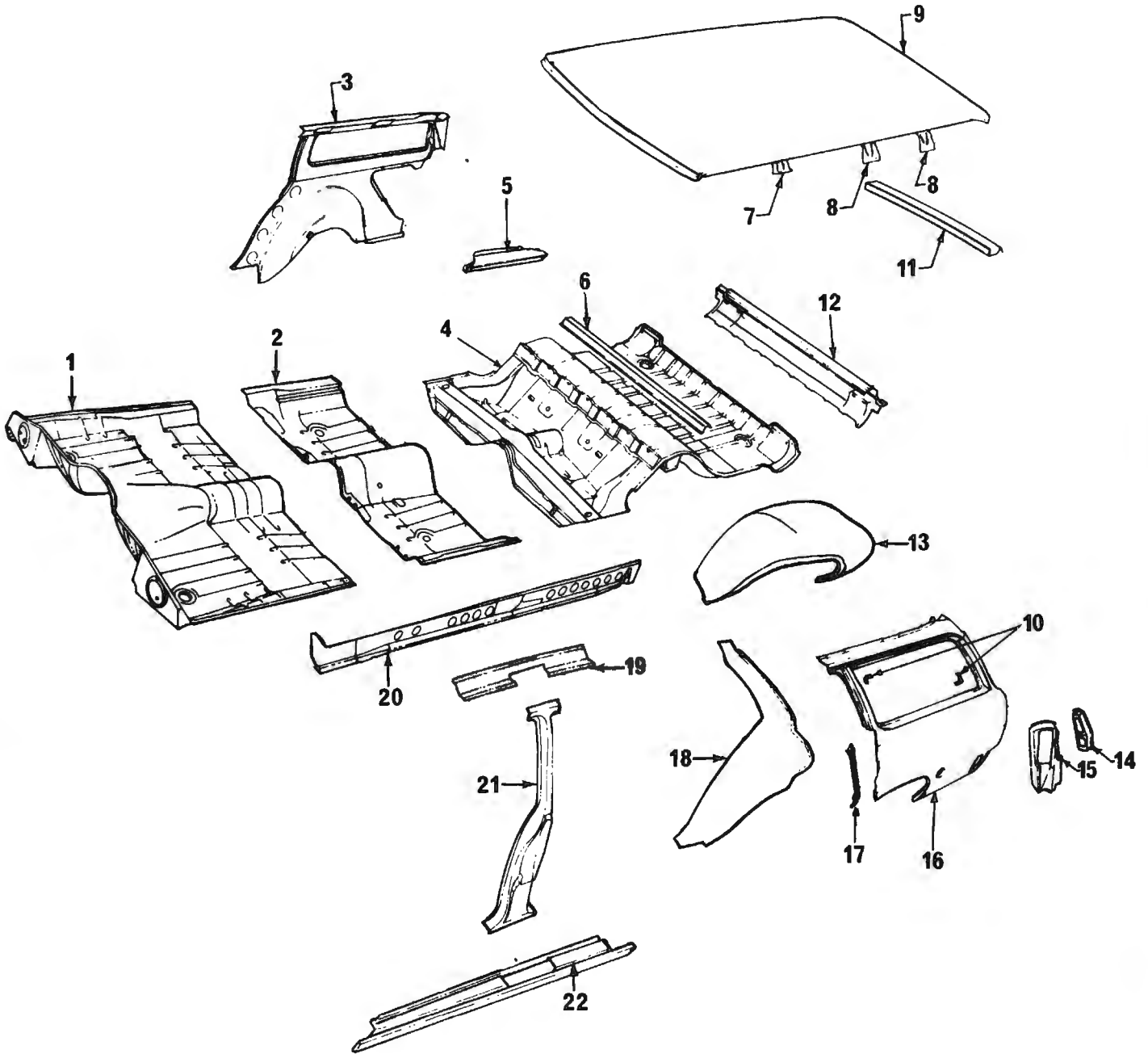
SEDAN BODY PANELS

| ILLUS. REF. NO. | PART NAME | GROUP | ILLUS. REF. NO. | PART NAME | GROUP |
|-----------------|--|--------|-----------------|--|--------|
| 12. | PAN ASSY. — Front floor | 12.972 | 22. | PANEL ASSY. — Rear end outer | 12.966 |
| 13. | GUTTER — Roof side | 12.811 | 23. | PANEL ASSY. — Rear compartment front | 12.971 |
| 14. | PAN ASSY. — Centre floor | 12.972 | 24. | PANEL — Wheel house | 12.944 |
| 15. | EXTENSION ASSY. — Rear comp. front panel | 12.971 | 25. | PANEL ASSY. — Rear quarter outer | 12.940 |
| 16. | BOW ASSY. — Roof front | 12.952 | 26. | PANEL ASSY. — Rear body lock pillar | 12.942 |
| 17. | ROOF ASSY. | 12.810 | 27. | RAIL — Roof side inner | 12.956 |
| 18. | BOW ASSY. — Roof rear | 12.952 | 28. | PANEL — Rocker inner | 12.934 |
| 19. | BRACE — Deck lid hinge bracket | 12.184 | 29. | PANEL ASSY. — Centre pillar | 12.491 |
| 20. | PAN ASSY. — Rear floor | 12.981 | 30. | PANEL — Rocker outer | 12.934 |
| 21. | PANEL ASSY. — Rear quarter inner | 12.941 | | | |



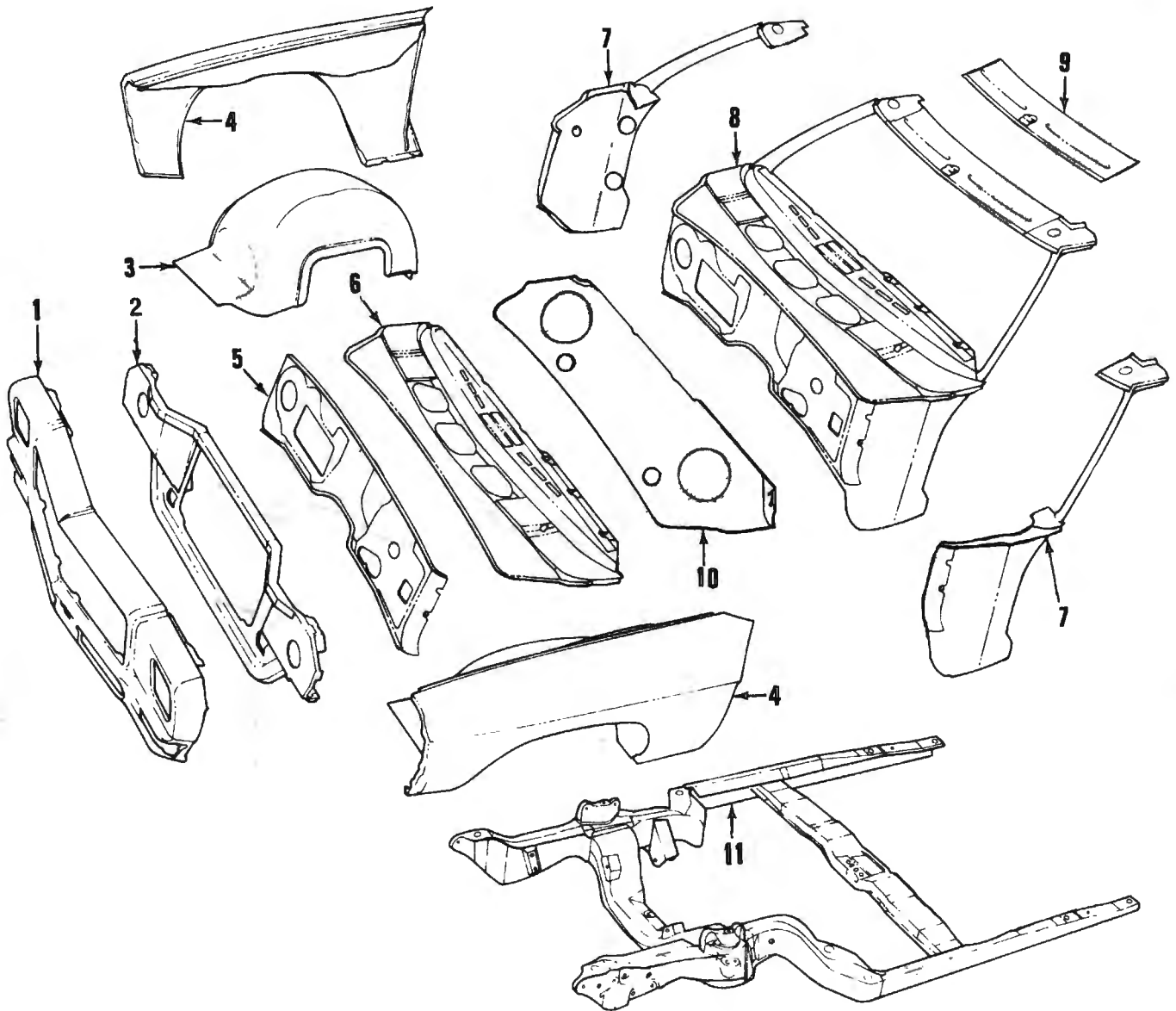
STATION WAGON BODY PANELS

| ILLUS. REF. NO. | PART NAME | GROUP | ILLUS. REF. NO. | PART NAME | GROUP |
|-----------------|--------------------------------------|--------|-----------------|------------------------------------|--------|
| 1. | PANEL — Front end | 1.266 | 7. | PILLAR ASSY. — Front body | 12.805 |
| 2. | PANEL ASSY. — Radiator support | 1.270 | 8. | COWL ASSY. | 12.803 |
| 3. | SKIRT ASSY. — Front fender | 8.153 | 9. | FRAME — Windshield | 12.807 |
| 4. | FENDER ASSY. — Front | 8.130 | 10. | PANEL ASSY. — Plenum chamber | 12.803 |
| 5. | PANEL ASSY. — Dash | 12.804 | 11. | FRAME ASSY. | 7.003 |
| 6. | PANEL ASSY. — Cowl top | 12.805 | | | |



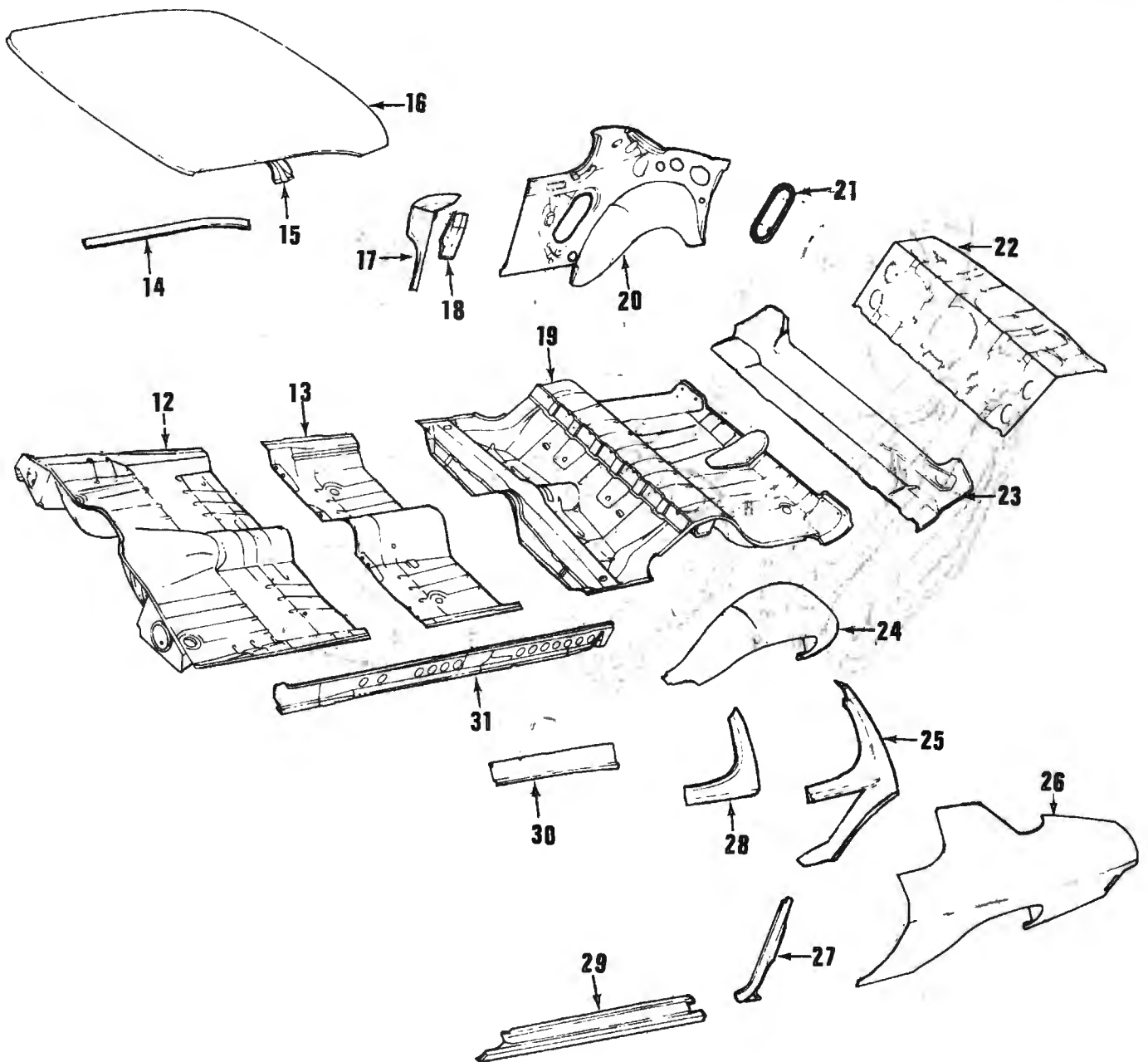
STATION WAGON BODY PANELS

| ILLUS. REF. NO | PART NAME | GROUP | ILLUS. REF. NO | PART NAME | GROUP |
|----------------|--|--------|----------------|--|--------|
| 1. | PAN ASSY. - Front floor | 12.972 | 12. | PANEL ASSY. - Rear end | 12.966 |
| 2. | PAN ASSY. - Centre floor | 12.972 | 13. | PANEL - Wheelhouse | 12.944 |
| 3. | PANEL ASSY. - Rear quarter inner | 12.941 | 14. | SUPPORT - Tail lamp | 12.940 |
| 4. | PAN ASSY. - Rear floor | 12.981 | 15. | PILLAR ASSY. - End gate body outer | 12.951 |
| 5. | SILL - Tonneau floor side | 12.986 | 16. | PANEL ASSY. - Rear quarter outer | 12.940 |
| 6. | BAR - Tonneau floor No. 4 cross | 12.982 | 17. | REINFORCEMENT - Rear quarter panel frcnt | 12.940 |
| 7. | BOW ASSY. - Roof front | 12.952 | 18. | PANEL ASSY. - Rear body lock pillar | 12.942 |
| 8. | BOW ASSY. - Roof | 12.952 | 19. | RAIL - Roof side inner | 12.956 |
| 9. | ROOF ASSY. | 12.810 | 20. | PANEL - Rocker inner | 12.934 |
| 10. | FILLER - Panel upper & lower | 12.940 | 21. | PANEL ASSY. - Centre pillar | 12.491 |
| 11. | RAIL ASSY. - Roof rear | 12.956 | 22. | PANEL - Rocker outer | 12.934 |



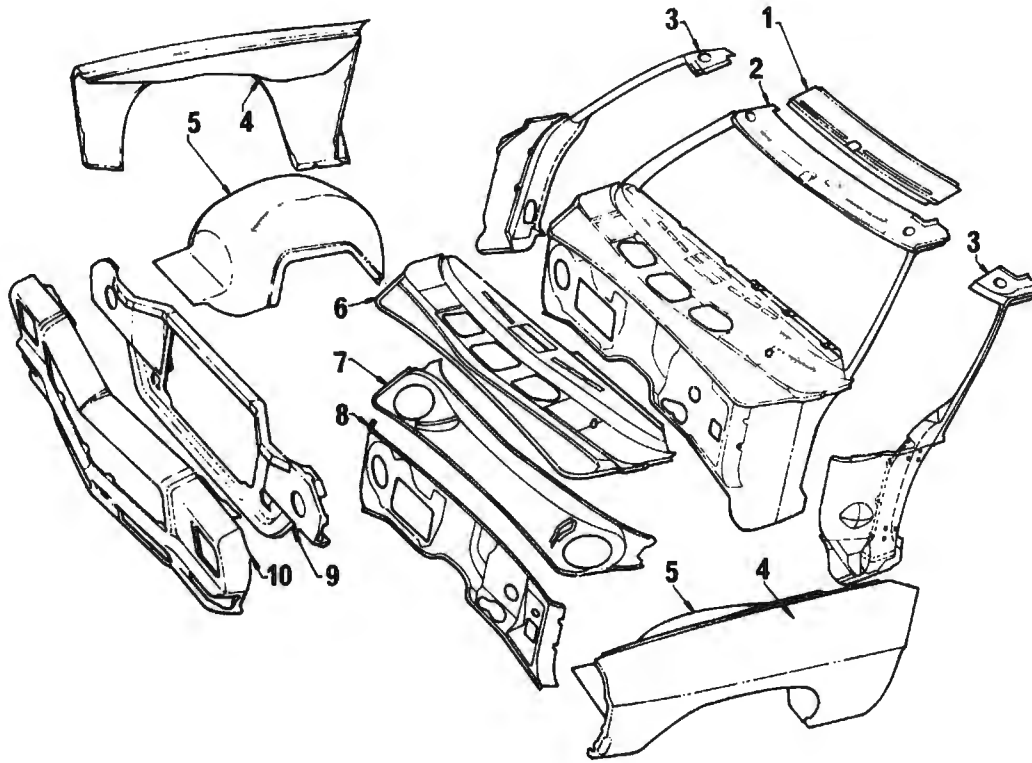
MONARO BODY PANELS

| ILLUS. REF. NO. | PART NAME | GROUP | ILLUS. REF. NO. | PART NAME | GROUP |
|-----------------|--------------------------------------|--------|-----------------|------------------------------------|--------|
| 1. | PANEL - Front end | 1.266 | 7. | PILLAR ASSY. - Front body | 12.805 |
| 2. | PANEL ASSY. - Radiator support | 1.270 | 8. | COWL ASSY. | 12.803 |
| 3. | SKIRT ASSY. - Front fender | 8.153 | 9. | FRAME - Windshield | 12.807 |
| 4. | FENDER ASSY. - Front | 8.130 | 10. | PANEL ASSY. - Plenum chamber | 12.803 |
| 5. | PANEL ASSY. - Dash | 12.804 | 11. | FRAME ASSY. | 7.003 |
| 6. | PANEL ASSY. - Cowl top | 12.805 | | | |



MONARO BODY PANELS

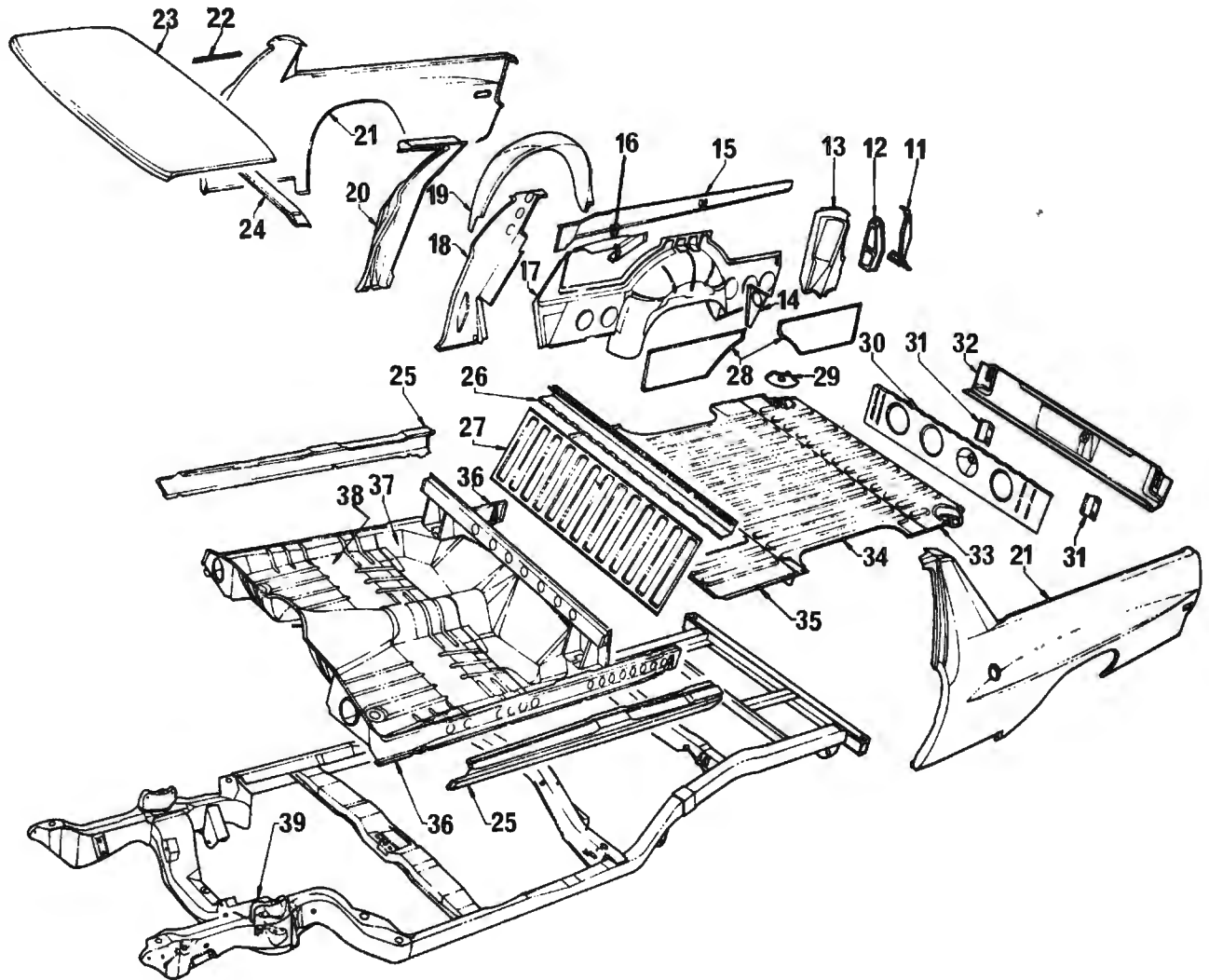
| ILLUS. REF. NO. | PART NAME | GROUP | ILLUS. REF. NO. | PART NAME | GROUP |
|-----------------|--|--------|-----------------|---|--------|
| 12. | PAN ASSY. - Front floor | 12.972 | 22. | PANEL ASSY. - Rear compartment front | 12.971 |
| 13. | PAN ASSY. - Centre floor | 12.972 | 23. | PANEL ASSY. - Rear end outer | 12.966 |
| 14. | GUTTER - Roof side | 12.811 | 24. | PANEL - Wheelhouse | 12.944 |
| 15. | BOW ASSY. - Roof | 12.952 | 25. | PANEL - Rear body pillar | 12.942 |
| 16. | ROOF ASSY. | 12.810 | 26. | PANEL ASSY. - Rear quarter outer | 12.940 |
| 17. | EXTENSION ASSY. - Rear comp. front panel | 12.971 | 27. | PANEL ASSY. - Rear body lock pillar | 12.942 |
| 18. | BRACE - Deck lid hinge bracket | 12.184 | 28. | REINFORCEMENT - Rear quarter window opening | 12.940 |
| 19. | PAN ASSY. - Rear floor | 12.981 | 29. | PANEL - Rocker outer | 12.934 |
| 20. | PANEL ASSY. - Rear quarter inner | 12.941 | 30. | RAIL - Roof side inner | 12.956 |
| 21. | COVER - Rear quarter inner panel | 12.941 | 31. | PANEL - Rocker inner | 12.934 |



BODY PANELS

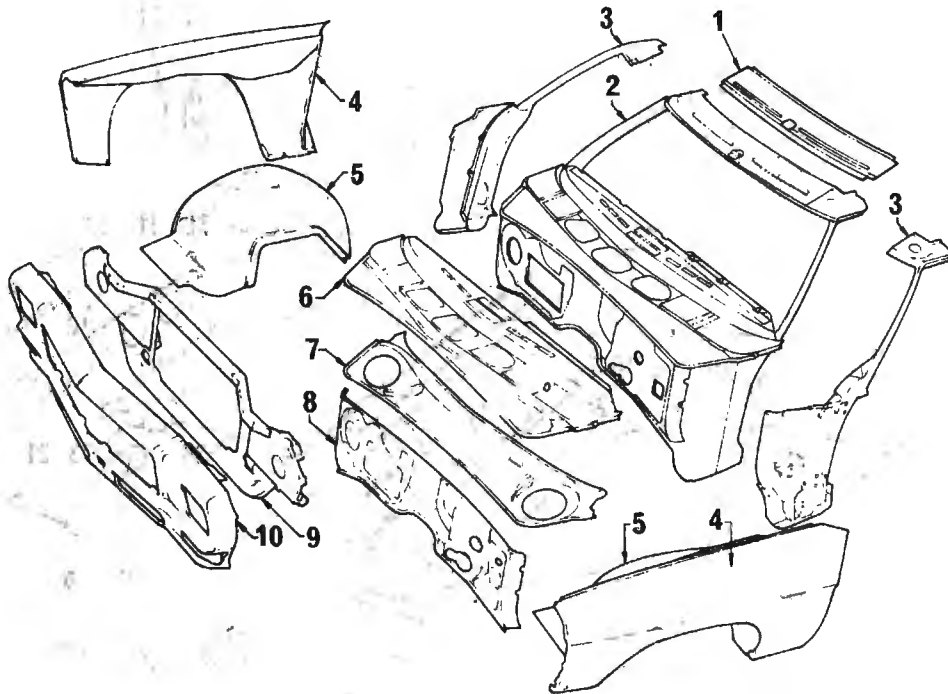
UTILITY

| ILLUS. REF. NO. | PART NAME | GROUP |
|--------------------|--------------------------------------|--------|
| 1. | FRAME— Windshield | 12.807 |
| 2. | COWL ASSY. | 12.803 |
| 3. | PILLAR ASSY. — Front body | 12.805 |
| 4. | FENDER ASSY. — Front | 8.130 |
| 5. | SKIRT ASSY. — Front fender | 8.153 |
| 6. | PANEL ASSY. — Cowl top | 12.805 |
| 7. | PANEL ASSY. — Plenum chamber | 12.803 |
| 8. | PANEL ASSY. — Dash | 12.804 |
| 9. | PANEL ASSY. — Radiator support | 1.270 |
| 10. | PANEL — Front end | 1.266 |



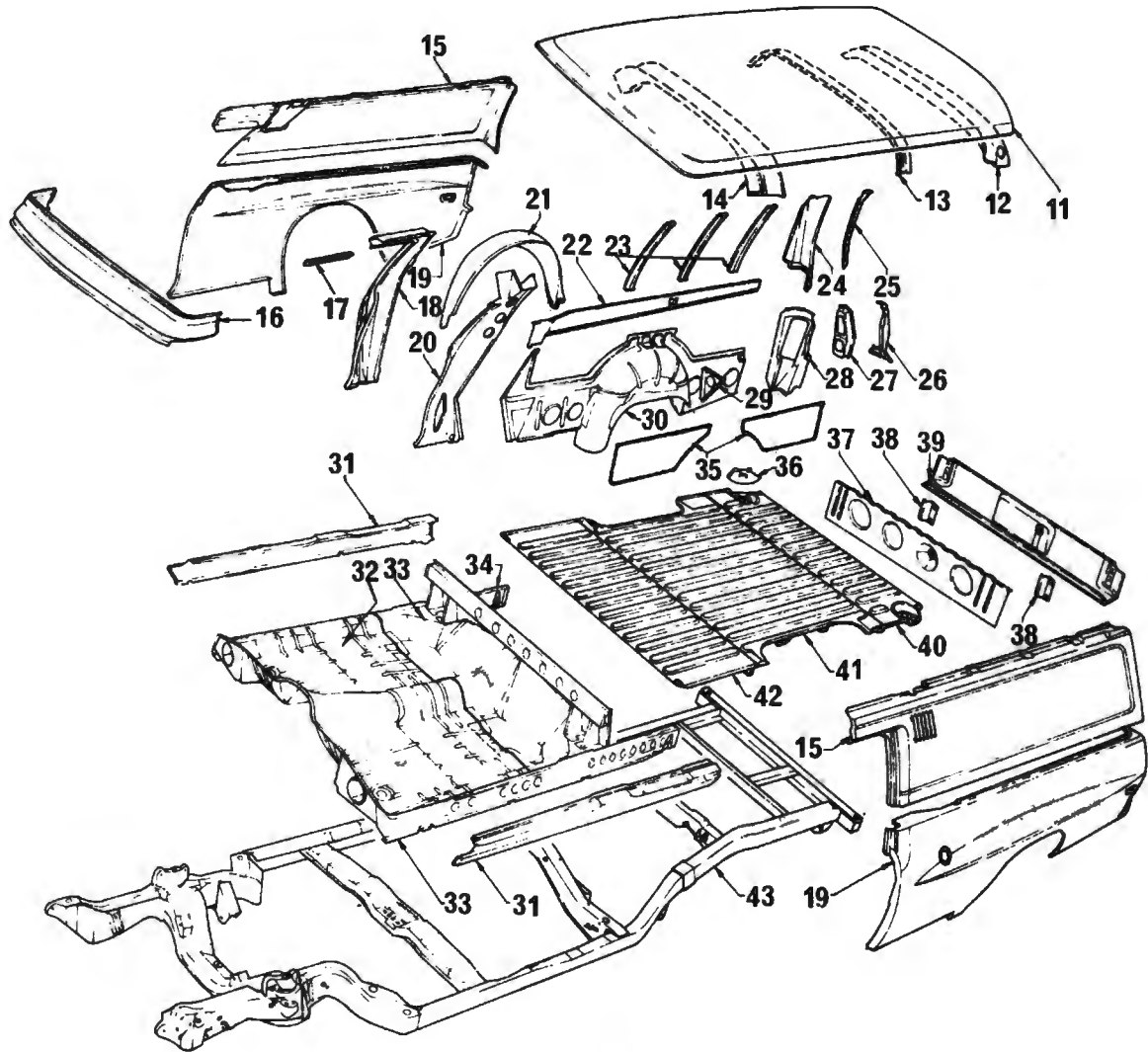
BODY PANELS
UTILITY

| ILLUS. REF. NO. | PART NAME | GROUP | ILLUS. REF. NO. | PART NAME | GROUP |
|--------------------|--|--------|--------------------|---|--------|
| 11. | PILLAR ASSY.—End gate body lower outer | 12.951 | 26. | PANEL — Tonneau compartment front | N.S.S. |
| 12. | SUPPORT — Tail lamp | 12.940 | 27. | PANEL ASSY — Seat back | 12.958 |
| 13. | PILLAR — End gate body lower inner | 12.951 | 28. | COVER— Body side inner | 12.948 |
| 14. | SUPPORT — Tonneau rear floor | 12.986 | 29. | EXTENSION — Tonneau rear floor | 12.986 |
| 15. | RAIL — Body side | 12.428 | 30. | PANEL — Back inner | 12.966 |
| 16. | EXTENSION — Body side panel | 12.948 | 31. | REINFORCEMENT ASSY. — Eng gate hinge mtg. | N.S.S. |
| 17. | PANEL — Body side inner rear | 12.948 | 32. | PANEL — Back outer | 12.966 |
| 18. | PANEL — Body side inner front | 12.948 | 33. | FLOOR — Tonneau rear | 12.580 |
| 19. | WHEELHOUSE ASSY. | 12.944 | 34. | FLOOR — Tonneau centre | 12.580 |
| 20. | PILLAR ASSY. — Door lock striker | 12.491 | 35. | FLOOR — Tonneau front | 12.580 |
| 21. | PANEL — Body side outer | 12.948 | 36. | PANEL — Rocker inner | 12.934 |
| 22. | RAIL — Roof side inner | 12.956 | 37. | PAN ASSY. — Rear floor | 12.981 |
| 23. | PANEL — Roof | 12.810 | 38. | PAN ASSY. — Front floor | 12.972 |
| 24. | FRAME — Rear window | 11.200 | 39. | FRAME ASSY. | 7.003 |
| 25. | PANEL — Rocker outer | 12.934 | | | |



BODY PANELS
PANEL VAN

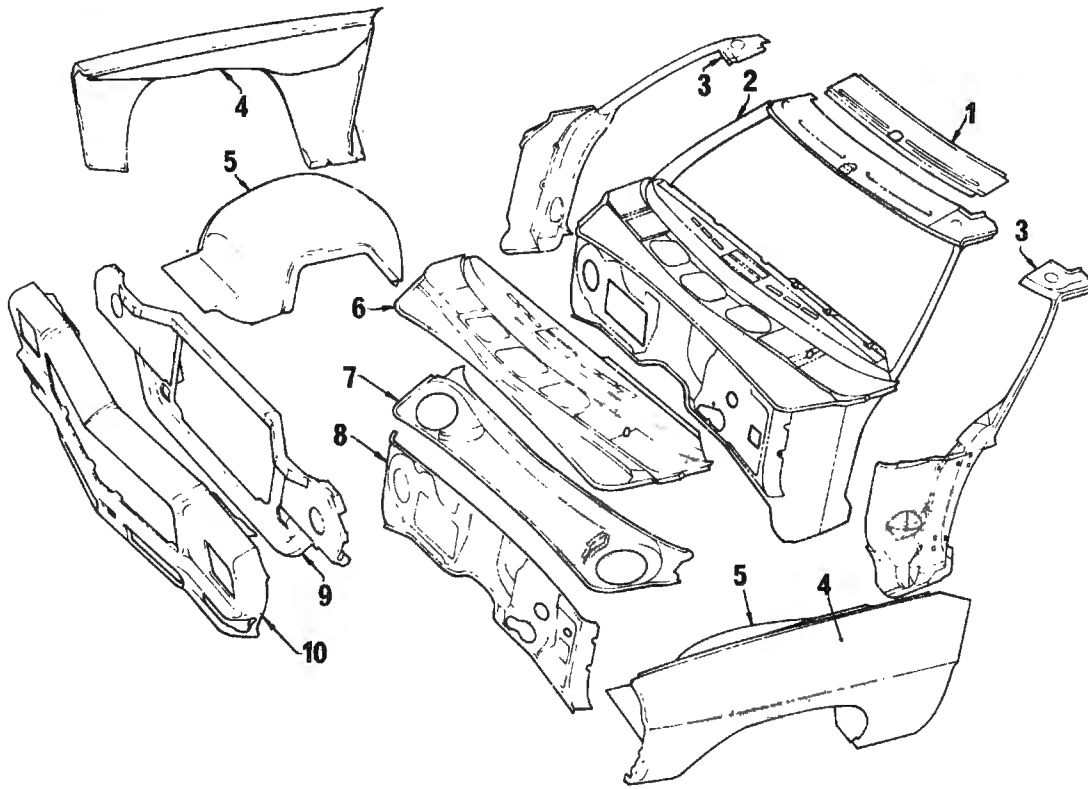
| ILLUS. REF. NO. | PART NAME | GROUP |
|--------------------|--------------------------------------|--------|
| 1. | FRAME→ Windshield | 12.807 |
| 2. | COWL ASSY. | 12.803 |
| 3. | PILLAR ASSY. - Front body | 12.805 |
| 4. | FENDER ASSY. - Front | 8.130 |
| 5. | SKIRT ASSY. - Front fender | 8.153 |
| 6. | PANEL ASSY. - Cowl top | 12.805 |
| 7. | PANEL ASSY. - Plenum chamber | 12.803 |
| 8. | PANEL ASSY. - Dash | 12.804 |
| 9. | PANEL ASSY. - Radiator support | 1.270 |
| 10. | PANEL - Front end | 1.266 |



BODY PANELS

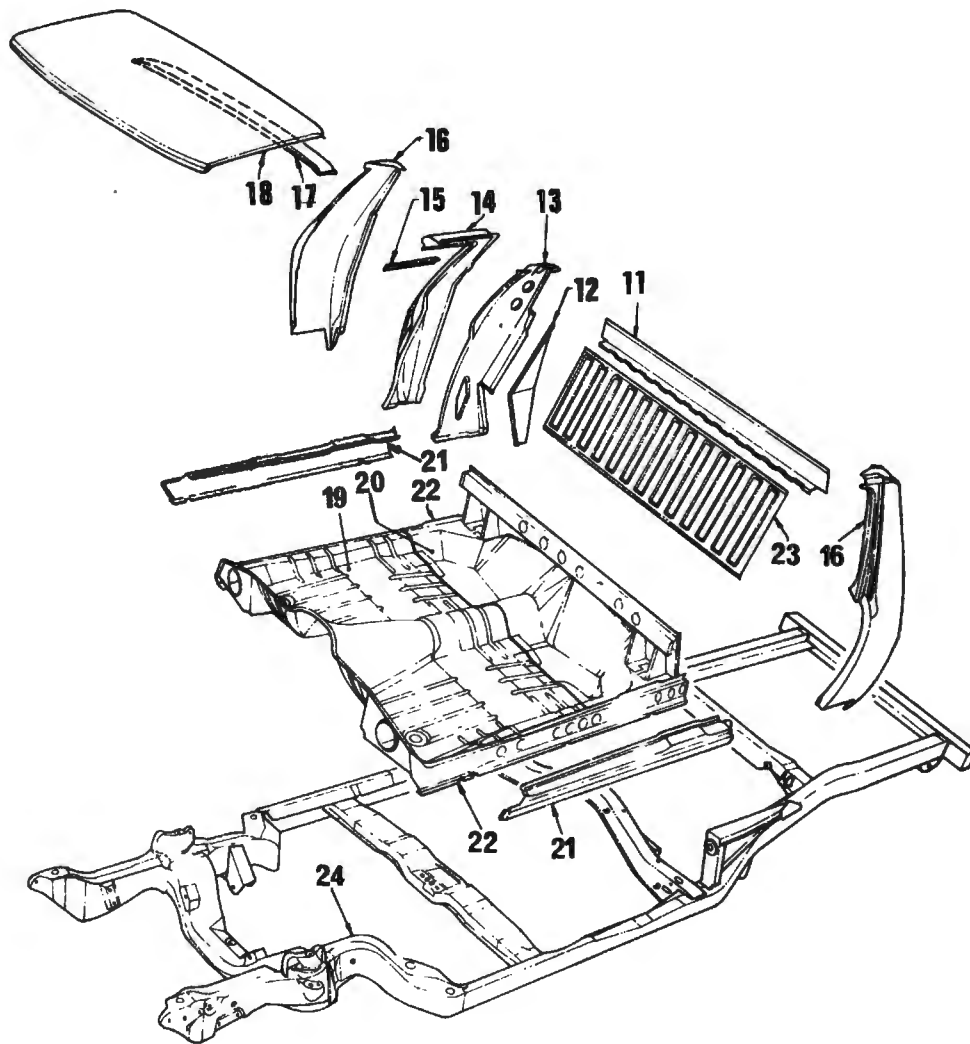
PANEL VAN

| ILLUS. REF. NO. | PART NAME | GROUP | ILLUS. REF. NO. | PART NAME | GROUP |
|-----------------|--|--------|-----------------|---|--------|
| 11. | PANEL — Roof | 12.810 | 28. | PILLAR — End gate body lower inner | 12.951 |
| 12. | RAIL — Roof rear | 12.956 | 29. | SUPPORT — Tonneau rear floor | 12.986 |
| 13. | BOW ASSY. — Roof rear | 12.952 | 30. | PANEL — Body side inner rear | 12.948 |
| 14. | BOW ASSY. — Roof front | 12.952 | 31. | PANEL — Rocker outer | 12.934 |
| 15. | PANEL — Body side outer upper | 12.948 | 32. | PAN ASSY. — Front floor | 12.972 |
| 16. | EXTENSION — Roof panel | N.S.S. | 33. | PAN ASSY. — Rear floor | 12.981 |
| 17. | RAIL — Roof side inner | 12.956 | 34. | PANEL — Rocker inner | 12.934 |
| 18. | PILLAR ASSY. — Door lock striker | 12.491 | 35. | COVER — Body side inner | 12.948 |
| 19. | PANEL — Body side outer lower | 12.948 | 36. | EXTENSION — Tonneau rear floor | 12.986 |
| 20. | PANEL — Body side inner front | 12.948 | 37. | PANEL — Back inner | 12.966 |
| 21. | WHEELHOUSE ASSY. | 12.944 | 38. | REINFORCEMENT ASSY. — End gate hinge mtg. | N.S.S. |
| 22. | RAIL — Body side | 12.428 | 39. | PANEL — Back outer | 12.966 |
| 23. | PILLAR — Body side upper | 12.950 | 40. | FLOOR — Tonneau rear | 12.580 |
| 24. | PILLAR — End gate body upper inner | 12.951 | 41. | FLOOR — Tonneau centre | 12.580 |
| 25. | PILLAR — End gate body upper outer | 12.951 | 42. | FLOOR — Tonneau front | 12.580 |
| 26. | PILLAR ASSY. — End gate body lower outer | 12.951 | 43. | FRAME ASSY. | 7.003 |
| 27. | SUPPORT — Tail lamp | 12.940 | | | |



**BODY PANELS
CHASSIS & CAB**

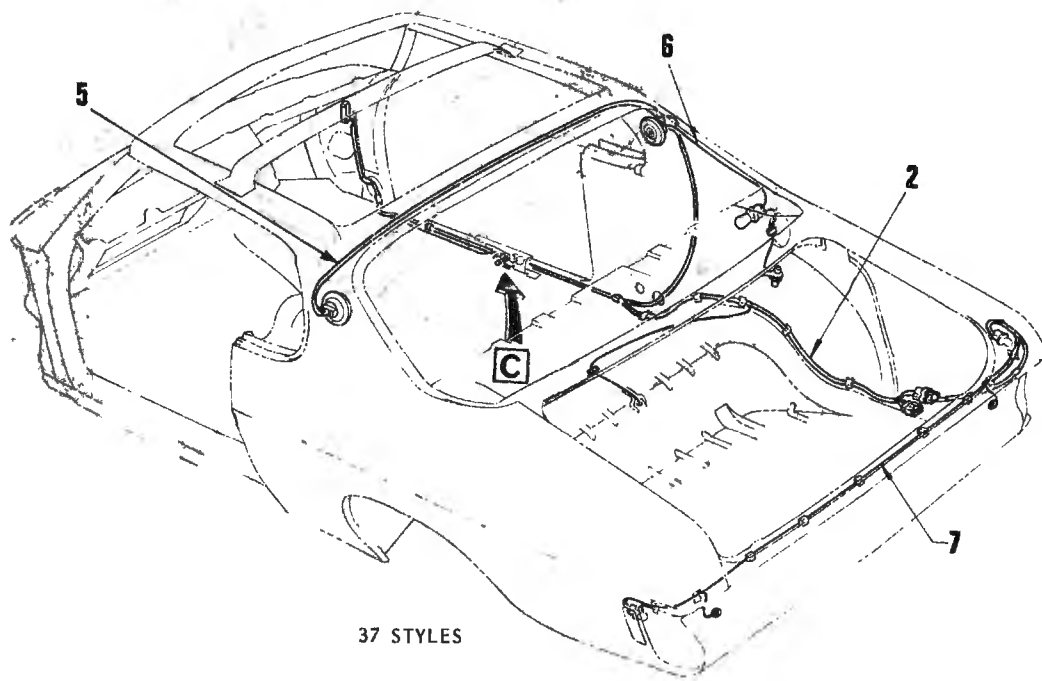
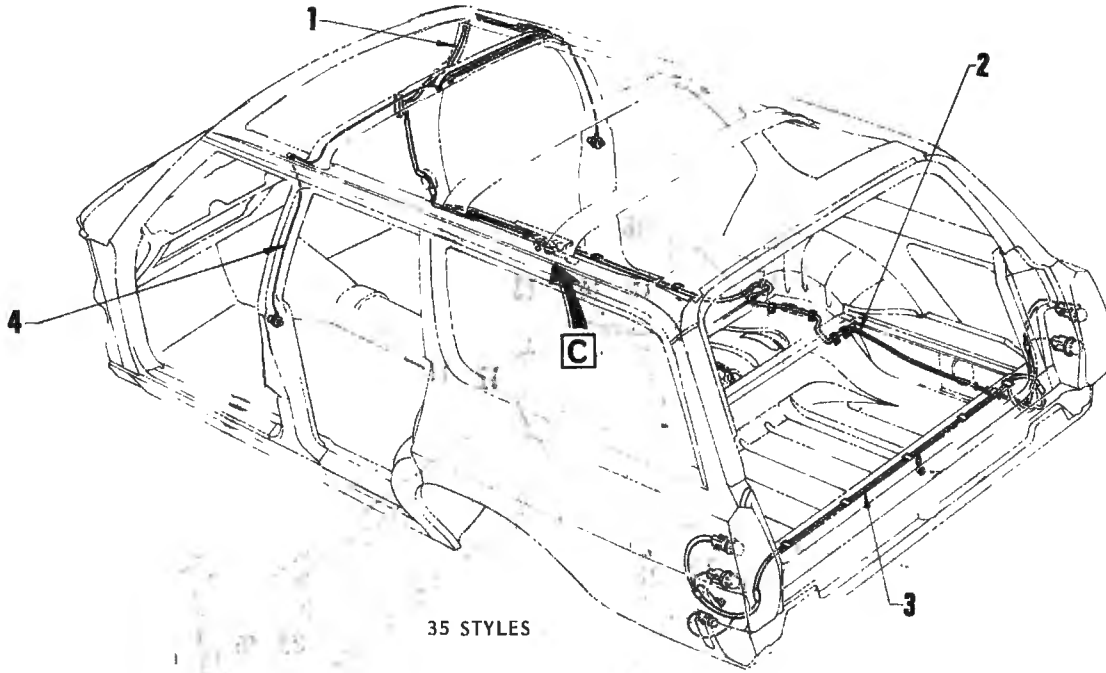
| ILLUS. REF. NO. | PART NAME | GROUP |
|--------------------|--------------------------------------|--------|
| 1. | FRAME— Windshield | 12.807 |
| 2. | COWL ASSY. | 12.803 |
| 3. | PILLAR ASSY. — Front body | 12.805 |
| 4. | FENDER ASSY. — Front | 8.130 |
| 5. | SKIRT ASSY. — Front fender | 8.153 |
| 6. | PANEL ASSY. — Cowl top | 12.805 |
| 7. | PANEL ASSY. — Plenum chamber | 12.803 |
| 8. | PANEL ASSY. — Dash | 12.804 |
| 9. | PANEL ASSY. — Radiator support | 1.270 |
| 10. | PANEL — Front end | 1.266 |



BODY PANELS

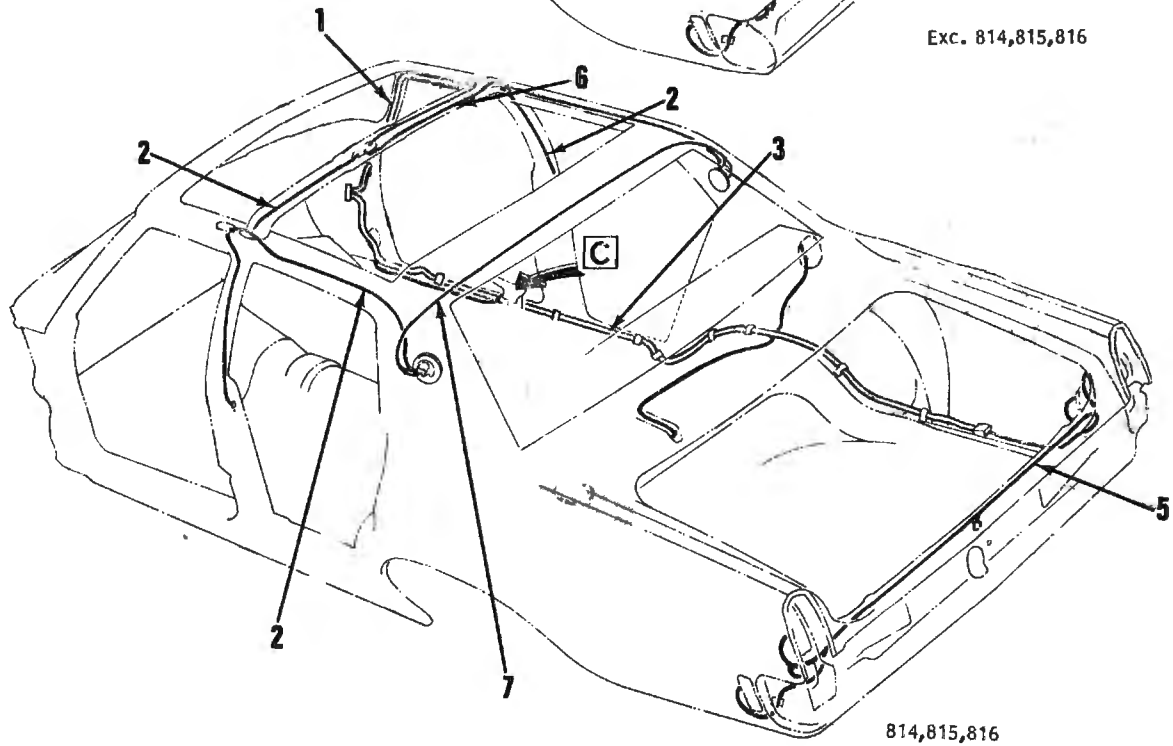
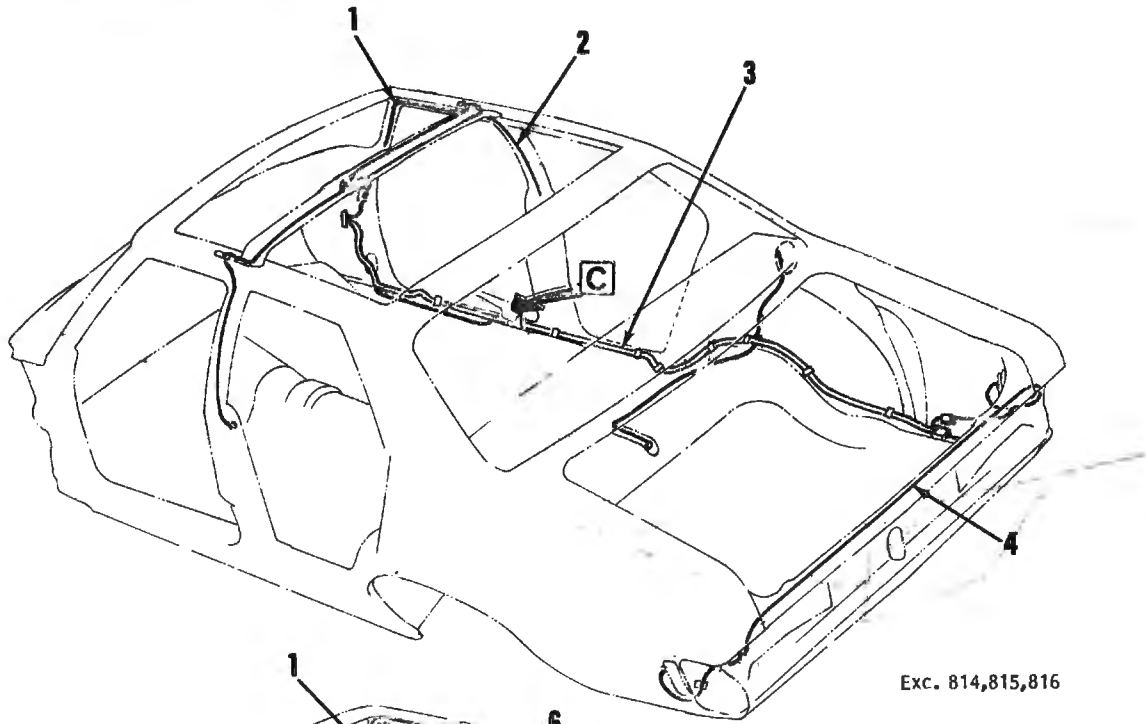
CHASSIS & CAB

| ILLUS. REF. NO. | PART NAME | GROUP | ILLUS. REF. NO. | PART NAME | GROUP |
|-----------------|---|--------|-----------------|----------------------------------|--------|
| 11. | REINFORCEMENT - Rear window lower | 12.958 | 18. | ROOF ASSEMBLY | 12.810 |
| 12. | PANEL - Cab side inner rear | 12.948 | 19. | PAN ASSEMBLY - Front floor | 12.972 |
| 13. | PANEL - Cab side inner front | 12.948 | 20. | PAN - Rear floor | 12.981 |
| 14. | PILLAR ASSY. - Door lock striker | 12.491 | 21. | PANEL - Rocker outer | 12.934 |
| 15. | RAIL - Roof side inner | 12.956 | 22. | PANEL - Rocker inner | 12.934 |
| 16. | PANEL - Cab side outer | 12.948 | 23. | PANEL ASSEMBLY - Seat back | 12.958 |
| 17. | FRAME - Rear window | 11.200 | 24. | FRAME ASSEMBLY | 7.003 |



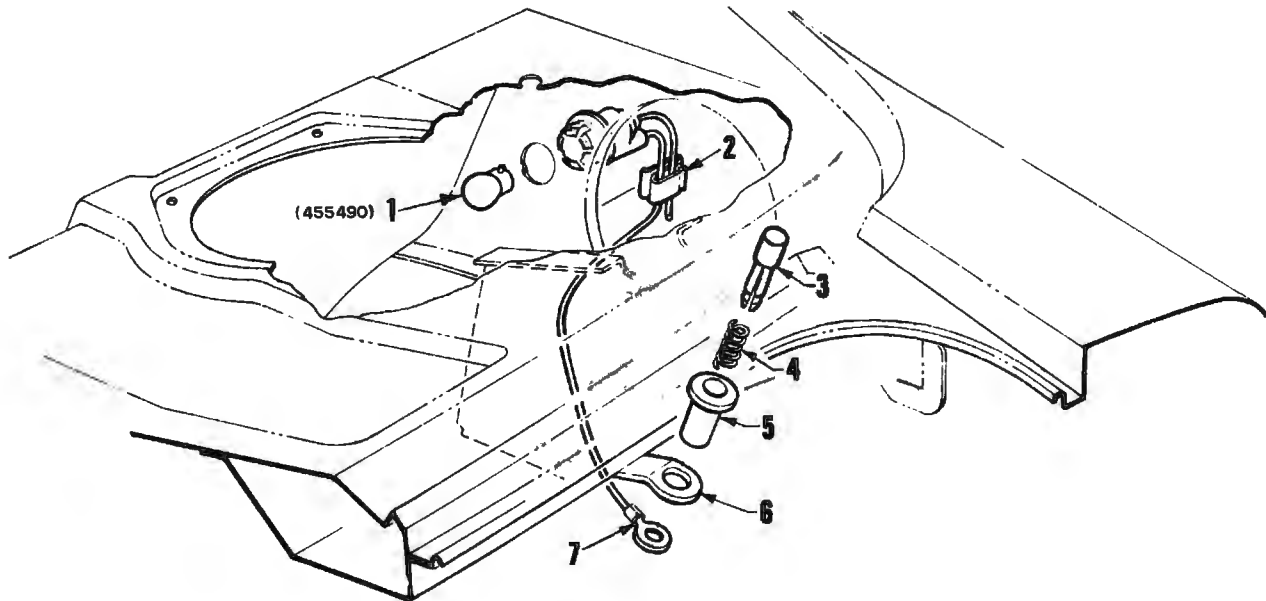
BODY WIRING

| ILLUS. REF. NO. | PART NAME | GROUP | ILLUS. REF. NO. | PART NAME | GROUP |
|-----------------|---|--------|-----------------|--|--------|
| 1. | LEAD ASSY. — Dome lamp | 11.925 | 5. | HARNESS ASSY. — Rear quarter lamp | 11.950 |
| 2. | HARNESS ASSY. — Body wiring | 13.090 | 6. | LEAD ASSY. — Rear compartment lamp | 11.960 |
| 3. | HARNESS ASSY. — Body wiring rear | 13.090 | 7. | HARNESS ASSY. — Rear, side marker lamps .. | 13.090 |
| 4. | LEAD ASSY. — Courtesy lamp switch, rr. door | 11.950 | | | |

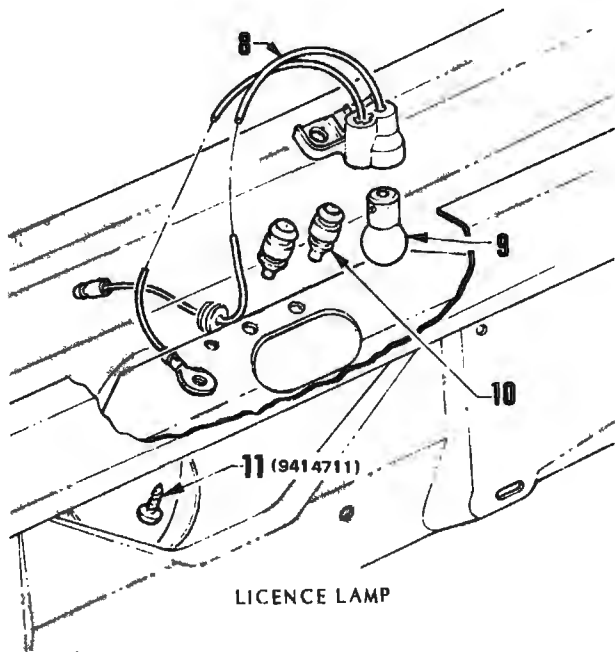


BODY WIRING

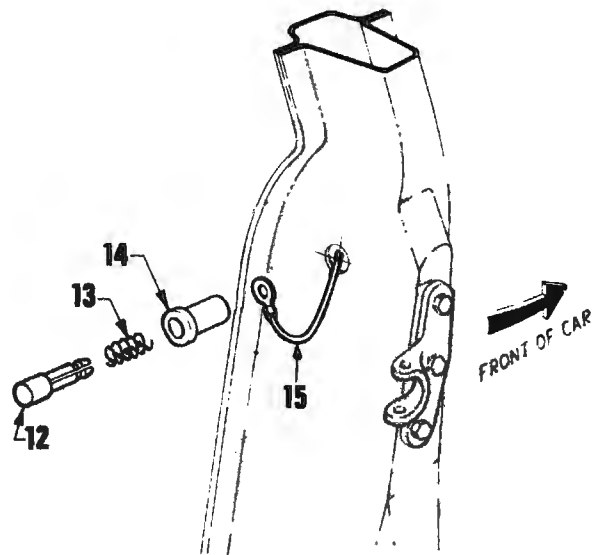
| ILLUS. REF. NO. | PART NAME | GROUP | ILLUS. REF. NO. | PART NAME | GROUP |
|-----------------|---|--------|-----------------|--|--------|
| 1. | LEAD ASSY. - Dome lamp | 11.925 | 5. | HARNESS ASSY. - Body wiring rear | 13.090 |
| 2. | LEAD ASSY. - Courtesy lamp switch, rr. door | 11.950 | 6. | LEAD ASSY. - Courtesy lamp feed | 11.940 |
| 3. | HARNESS ASSY. - Body wiring | 13.090 | 7. | LEAD ASSY. - RH lamp to LH lamp | 11.940 |
| 4. | HARNESS ASSY. - Rear, side marker lamps | 13.090 | | | |



VIEW **E**



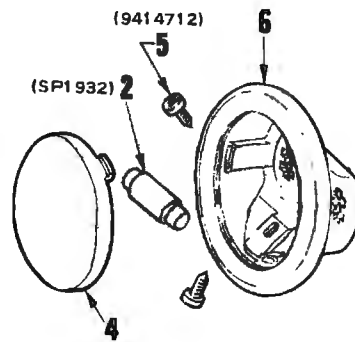
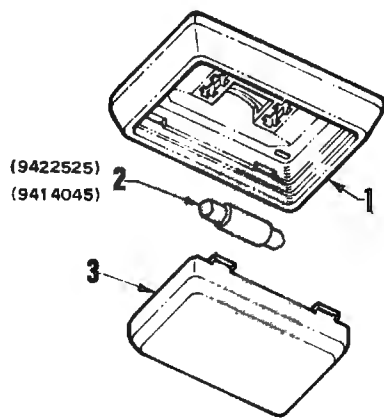
LICENCE LAMP



REAR DOOR SWITCH

BODY WIRING





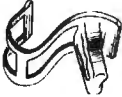

















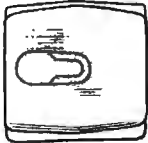
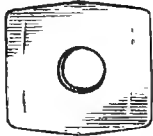


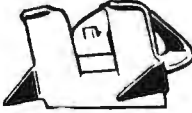

| ILLUS. REF. NO. | PART NAME | GROUP | ILLUS. REF. NO. | PART NAME | GROUP |
|-----------------|---|--------|-----------------|--|--------|
| 1. | BULB | 8.991 | 9. | BULB | 2.679 |
| 2. | CLIP - Lead to rear quarter | 11.960 | 10. | GROMMET - Rear licence lamp | 2.705 |
| 3. | PLUNGER - Rear compartment lamp | 11.960 | 11. | SCREW - Sheet metal | 8.977 |
| 4. | SPRING - Rear compartment lamp | 11.960 | 12. | PLUNGER - Courtesy light | 11.950 |
| 5. | BODY - Rear compartment lamp switch | 11.960 | 13. | SPRING - Courtesy light | 11.950 |
| 6. | HINGE ASSY. - Deck lid | 12.184 | 14. | BODY - Courtesy light switch | 11.950 |
| 7. | LEAD ASSY. - Rear compartment lamp | 11.960 | 15. | LEAD ASSY. - Courtesy light switch, rr. door | 11.950 |
| 8. | HARNESS - Rear licence lamp | 2.714 | | | |




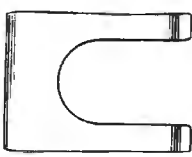












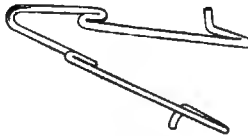












DOMELAMP

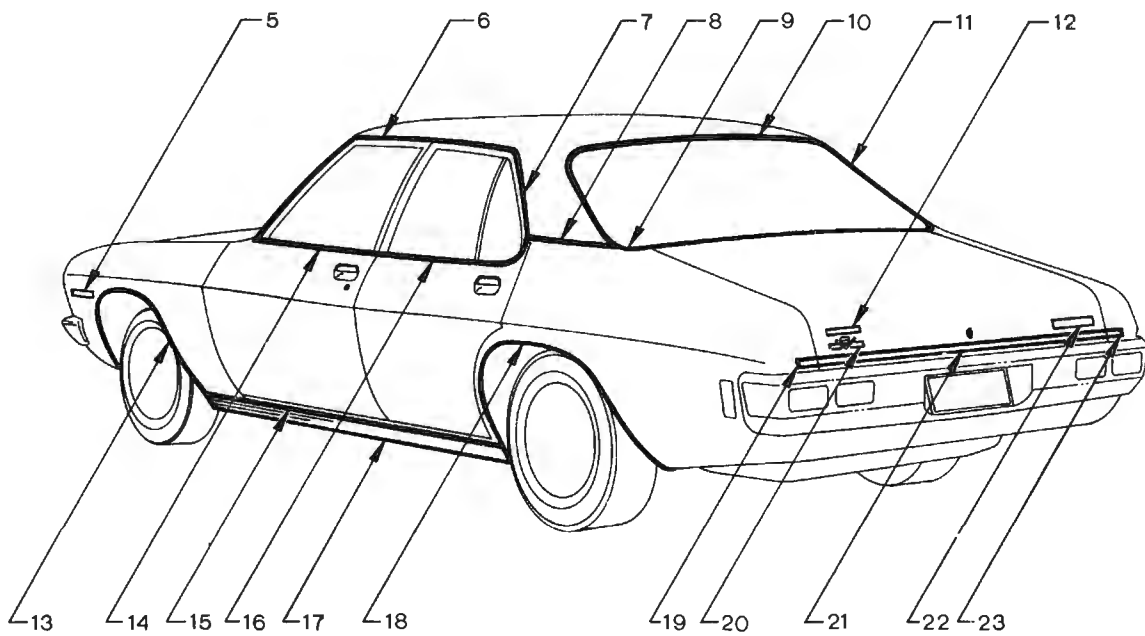
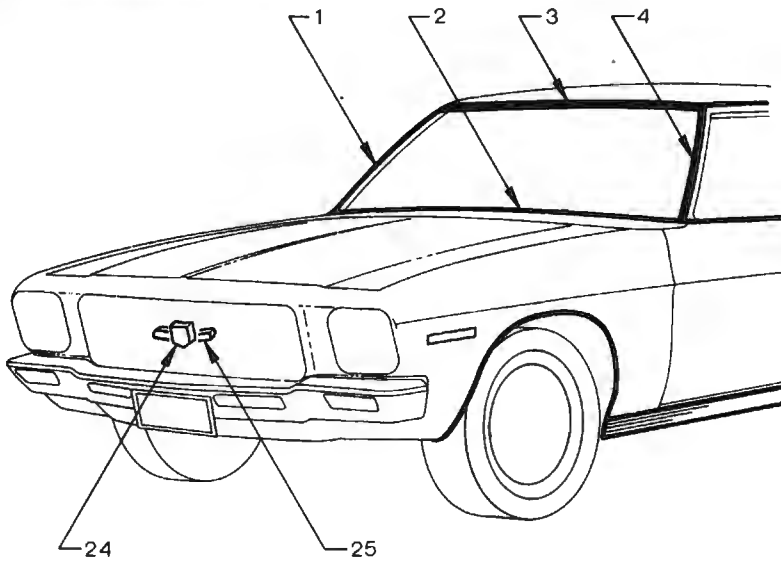
| ILLUS. REF. NO. | PART NAME | GROUP | ILLUS. REF. NO. | PART NAME | GROUP |
|-----------------|------------------------|--------|-----------------|---------------------------|--------|
| 1. | BASE - Dome lamp | 11.925 | 4. | LENS - Quarter lamp | 11.940 |
| 2. | BULB | 8.991 | 5. | SCREW - Sheet metal | 8.977 |
| 3. | LENS - Dome lamp | 11.928 | 6. | REFLECTOR | 11.940 |

NUT and CLIP CHART

| | | | |
|--|--|---|--|
|  SP1410 |  SP1446 |  SP1534 |  SP1548 |
|  SP1574 |  SP1606 |  SP1733 |  SP1750 |
|  SP1778 |  SP1779 |  SP1836 |  SP1909 |
|  SP1937 |  SP2019 |  SP2176 |  272733 |
|  273330 |  599119 |  2805402 |  2806911 |
|  2806912 |  2810747 |  2814965 |  2814966 |
|  2973345 |  4110664 |  4561802 |  4576655 |

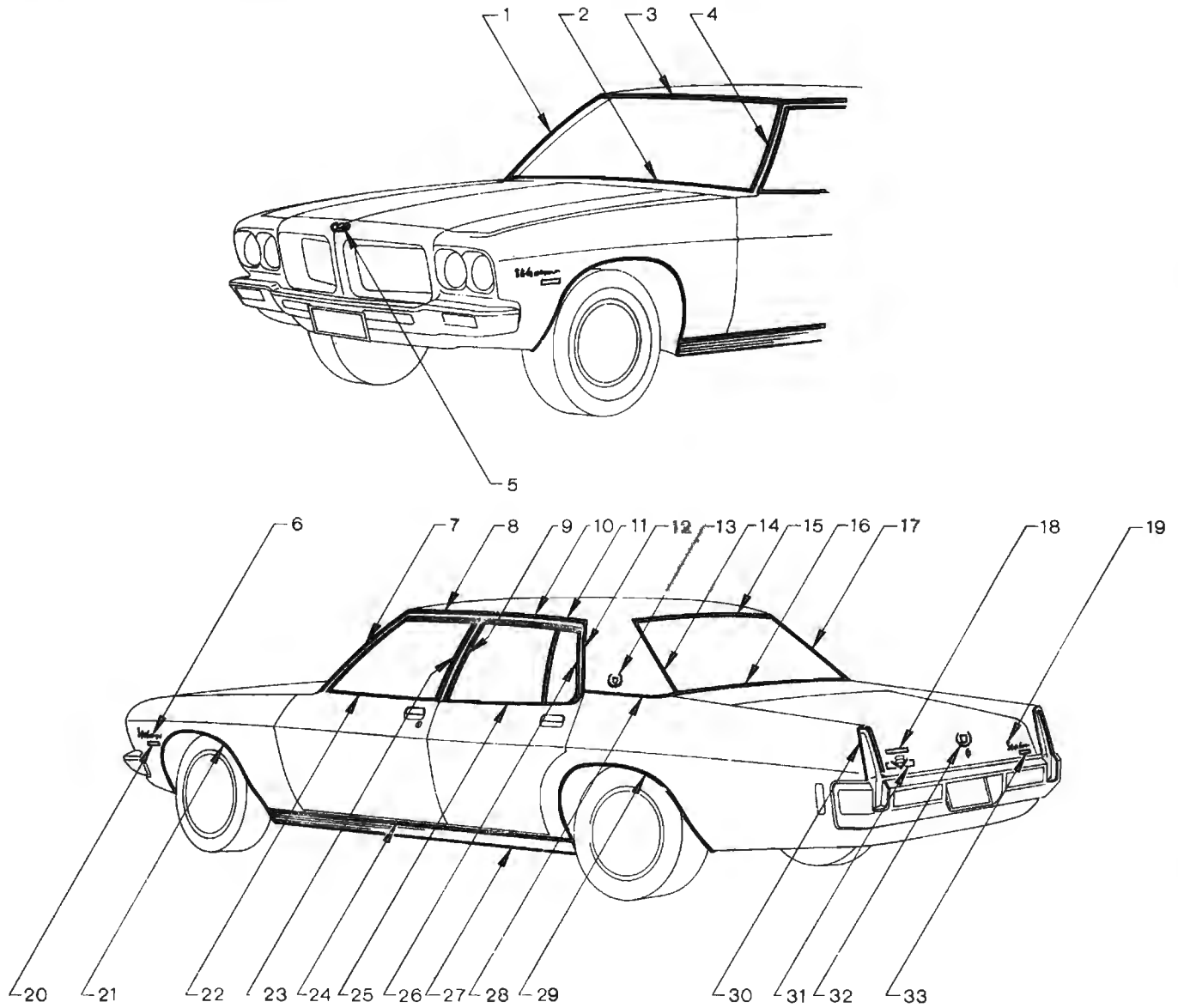
"HQ" PARTS CATALOGUE

| | | | |
|--|--|---|--|
|  <p>4637217</p> |  <p>6420265</p> |  <p>7100321</p> |  <p>7175429</p> |
|  <p>7401768</p> |  <p>7402119</p> |  <p>7403054</p> |  <p>7403387</p> |
|  <p>7413032</p> |  <p>7415653</p> |  <p>7418449</p> |  <p>7423305</p> |
|  <p>7425608</p> |  <p>7426097</p> |  <p>7426148</p> |  <p>7426417</p> |
|  <p>7429682</p> |  <p>7432906</p> |  <p>7433488</p> |  <p>7434693</p> |
|  <p>7434873</p> |  <p>7438659</p> |  <p>7674311</p> |  <p>9415250</p> |
|  <p>9416046</p> |  <p>9418693</p> |  <p>9422836</p> | |
| | | | |



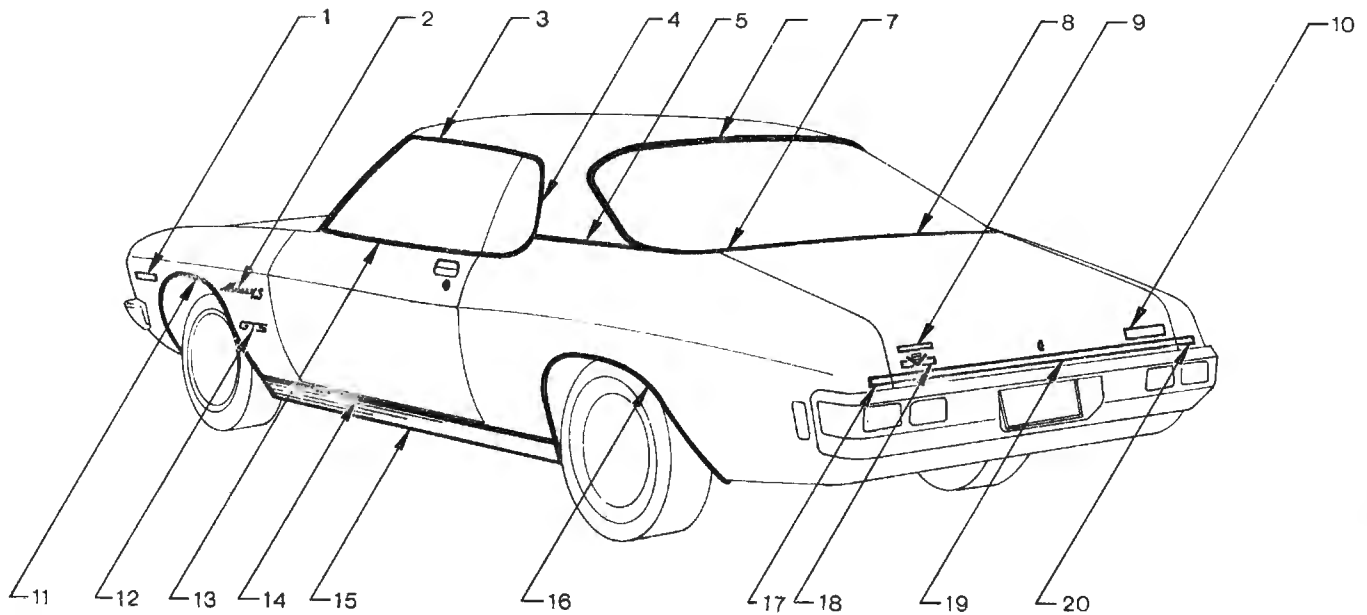
MOULDINGS & NAME PLATES
(Sedan exc. Statesman)

| ILLUS. REF. NO. | PART NAME | GROUP | ILLUS. REF. NO. | PART NAME | GROUP |
|-----------------|---|--------|-----------------|-------------------------------------|--------|
| 1. | MOULDING - Windshield side reveal R.H. | 10.093 | 14. | MOULDING - Front door belt | 12.112 |
| 2. | MOULDING - Windshield lower reveal | 10.093 | 15. | MOULDING - Rocker panel | 8.304 |
| 3. | MOULDING - Windshield upper reveal | 10.093 | 16. | MOULDING - Rear door belt | 12.114 |
| 4. | MOULDING - Windshield side reveal L.H. | 10.093 | 17. | MOULDING - Rocker panel | 8.304 |
| 5. | PLATE - Front fender name | 8.132 | 18. | MOULDING - Rear wheel opening | 12.116 |
| 6. | MOULDING - Roof side reveal | 12.075 | 19. | MOULDING - Rear end | 12.121 |
| 7. | GUTTER - Roof drip rear | 12.811 | 20. | PLATE - Engine identification | 12.182 |
| 8. | MOULDING - Rear quarter upper | 12.116 | 21. | MOULDING - Deck lid | 12.182 |
| 9. | MOULDING - Rear window reveal L.H. | 11.208 | 22. | PLATE - Model name | 12.182 |
| 10. | MOULDING - Rear window reveal upper | 11.208 | 23. | MOULDING - Rear end | 12.121 |
| 11. | MOULDING - Rear window reveal R.H. | 11.208 | 24. | EMBLEM - Radiator grille | 1.265 |
| 12. | PLATE - 'Trimatic' name | 12.182 | 25. | PLATE - Radiator grille name | 1.265 |
| 13. | MOULDING - Front wheel opening | 8.132 | | | |



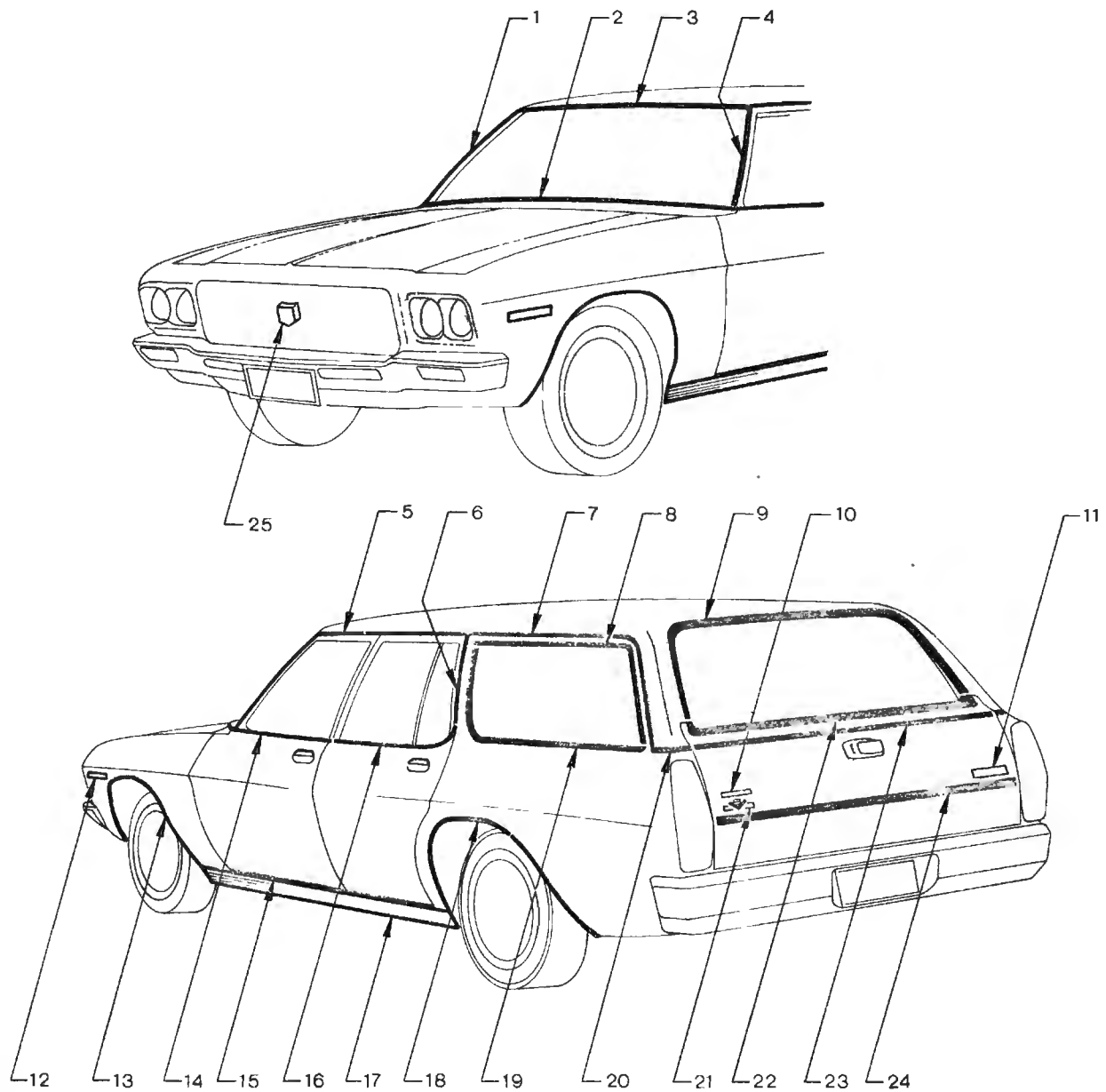
**MOULDINGS & NAME PLATES
(STATESMAN)**

| ILLUS. REF. NO. | PART NAME | GROUP | ILLUS. REF. NO. | PART NAME | GROUP |
|-----------------|---|--------|-----------------|--|--------|
| 1. | MOULDING - Windshield side reveal R.H. | 10.093 | 18. | PLATE - "Trimatic" name | 12.182 |
| 2. | MOULDING - Windshield lower reveal | 10.093 | 19. | PLATE - "Statesman" name | 12.182 |
| 3. | MOULDING - Windshield upper reveal | 10.093 | 20. | PLATE - "De Ville" name | 8.132 |
| 4. | MOULDING - Windshield side reveal L.H. | 10.093 | 21. | MOULDING - Front wheel opening | 8.132 |
| 5. | EMBLEM | 1.265 | 22. | MOULDING - Front door belt | 12.112 |
| 6. | PLATE - "Statesman" name | 8.132 | 23. | MOULDING - Front door scalp rear | 12.112 |
| 7. | MOULDING - Front door scalp front | 12.112 | 24. | MOULDING - Rocker panel | 8.304 |
| 8. | MOULDING - Front door scalp upper | 12.112 | 25. | MOULDING - Rear door belt | 12.114 |
| 9. | MOULDING - Rear door scalp front | 12.114 | 26. | MOULDING - Rear door scalp rear | 12.114 |
| 10. | MOULDING - Rear door scalp upper | 12.114 | 27. | MOULDING - Rocker panel | 8.304 |
| 11. | MOULDING - Roof side reveal | 12.075 | 28. | MOULDING - Rear quarter upper | 12.116 |
| 12. | GUTTER - Roof drip rear | 12.811 | 29. | MOULDING - Rear wheel opening | 12.116 |
| 13. | EMBLEM | 12.116 | 30. | MOULDING - Tail Lamp reveal | 12.116 |
| 14. | MOULDING - Rear window reveal L.H. | 11.208 | 31. | PLATE - Engine identification | 12.182 |
| 15. | MOULDING - Rear window reveal upper | 11.208 | 32. | EMBLEM | 12.182 |
| 16. | MOULDING - Rear window reveal lower | 11.208 | 33. | PLATE - "De Ville" name | 12.182 |
| 17. | MOULDING - Rear window reveal R.H. | 11.208 | | | |



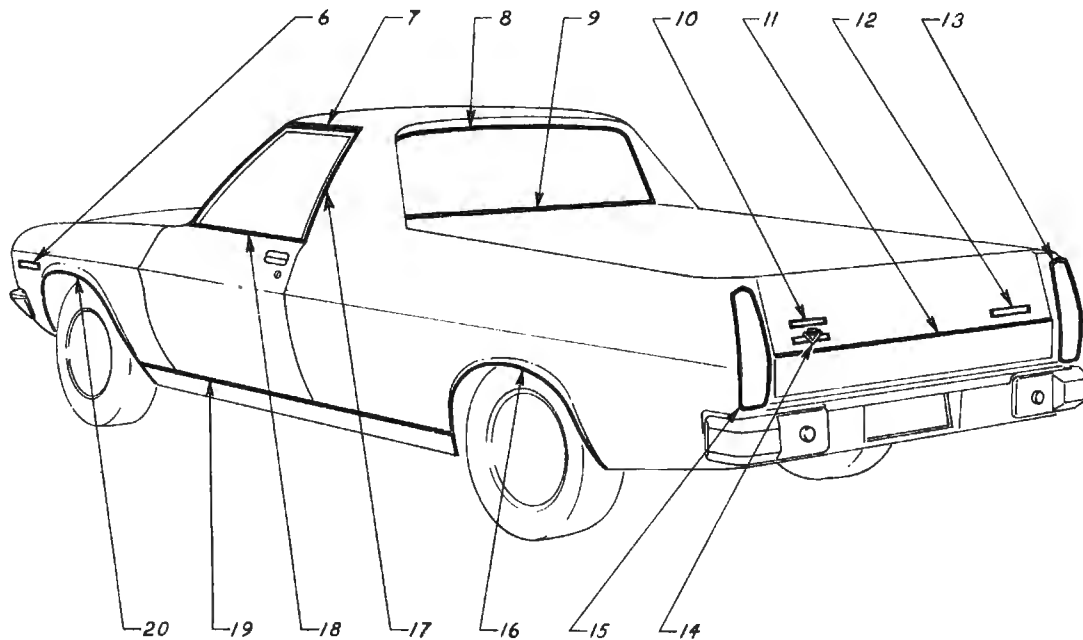
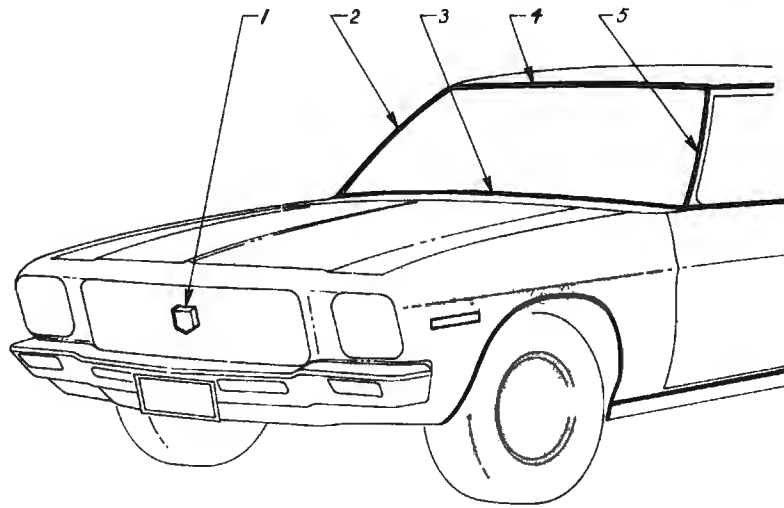
**MOULDINGS & NAME PLATES
(MONARO)**

| ILLUS. REF. NO. | PART NAME | GROUP | ILLUS. REF. NO. | PART NAME | GROUP |
|--------------------|---|--------|--------------------|--------------------------------------|--------|
| 1. | PLATE - "Monaro" name | 8.132 | 11. | MOULDING - Front wheel opening | 8.132 |
| 2. | PLATE - "Monaro LS" name | 8.132 | 12. | PLATE - "G.T.S." name | 8.132 |
| 3. | MOULDING - Roof side reveal | 12.075 | 13. | MOULDING - Door belt | 12.112 |
| 4. | MOULDING - Belt | 12.116 | 14. | MOULDING - Rocker panel | 8.304 |
| 5. | MOULDING - Rear quarter upper | 12.116 | 15. | MOULDING - Rocker panel | 8.304 |
| 6. | MOULDING - Rear window reveal upper | 11.208 | 16. | MOULDING - Rear wheel opening | 12.116 |
| 7. | MOULDING - Rear window reveal lower L.H. | 11.208 | 17. | MOULDING - Rear end | 12.121 |
| 8. | MOULDING - Rear window reveal lower R.H. | 11.208 | 18. | PLATE - Engine identification | 12.182 |
| 9. | PLATE - "Trimatic" name | 12.182 | 19. | MOULDING - Deck lid | 12.182 |
| 10. | PLATE - Deck lid name | 12.182 | 20. | MOULDING - Rear end | 12.121 |



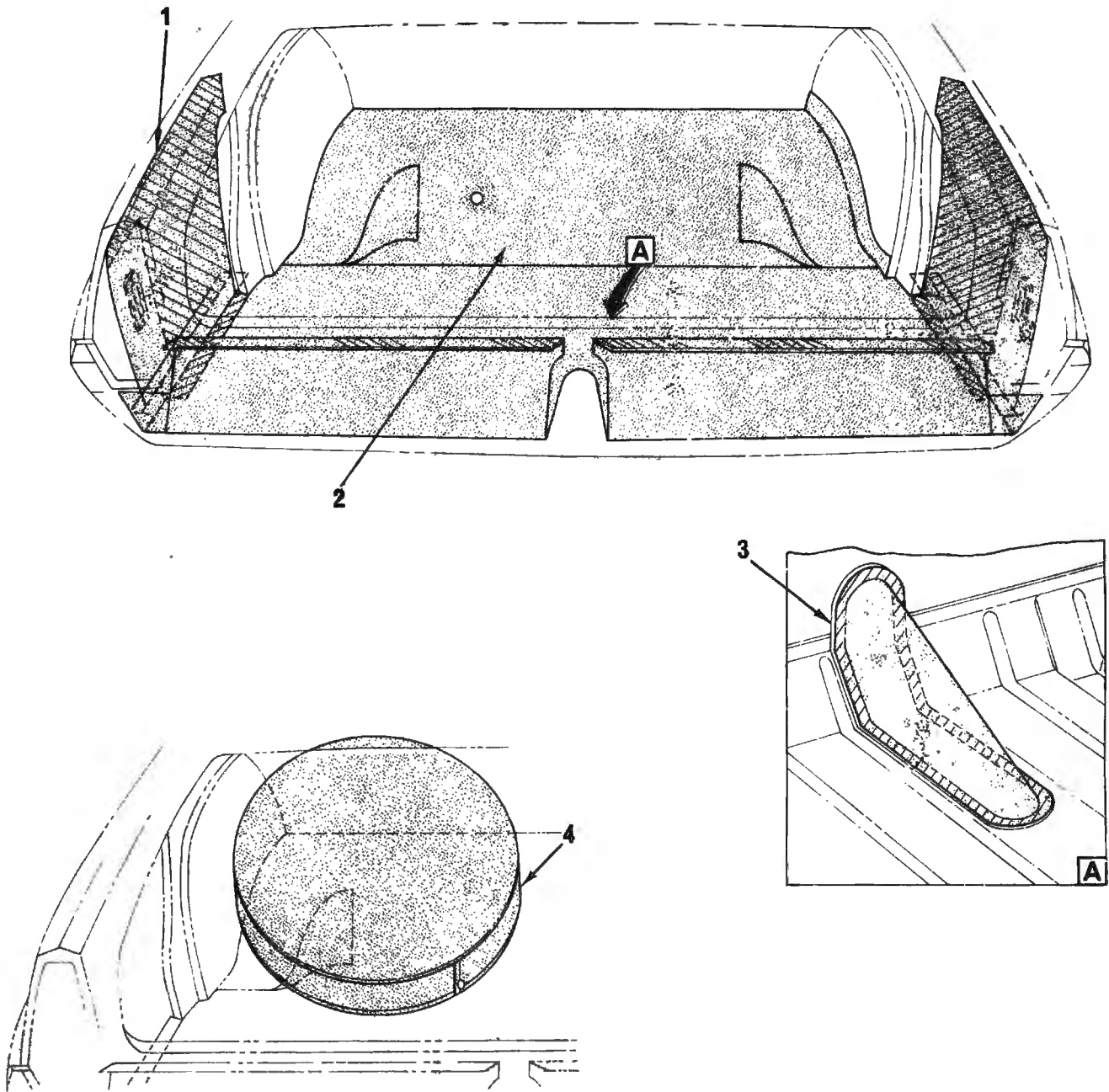
**MOULDINGS & NAME PLATES
(Station Wagon)**

| ILLUS. REF. NO. | PART NAME | GROUP | ILLUS. REF. NO. | PART NAME | GROUP |
|-----------------|---|--------|-----------------|--|--------|
| 1. | MOULDING - Windshield side reveal R.H. | 10.093 | 14. | MOULDING - Front door belt | 12.112 |
| 2. | MOULDING - Windshield lower reveal | 10.093 | 15. | MOULDING - Rocker panel | 8.304 |
| 3. | MOULDING - Windshield upper reveal | 10.093 | 16. | MOULDING - Rear door belt | 12.114 |
| 4. | MOULDING - Windshield side reveal L.H. | 10.093 | 17. | MOULDING - Rocker panel | 8.304 |
| 5. | MOULDING - Roof side reveal, front | 12.075 | 18. | MOULDING - Rear wheel opening | 12.116 |
| 6. | MOULDING - Quarter front | 12.116 | 19. | MOULDING - Quarter side lower reveal | 12.116 |
| 7. | MOULDING - Roof side reveal, rear | 12.075 | 20. | MOULDING - Quarter | 12.116 |
| 8. | MOULDING - Quarter side upper reveal | 12.116 | 21. | PLATE - Engine identification | 12.182 |
| 9. | MOULDING ASM. - End gate glass open | 12.174 | 22. | MOULDING ASM. - End gate belt | 12.182 |
| 10. | PLATE - "Trimatic" name | 12.182 | 23. | MOULDING - End gate centre | 12.182 |
| 11. | PLATE - Model name | 12.182 | 24. | MOULDING - End gate lower | 12.182 |
| 12. | PLATE - Front fender | 8.132 | 25. | EMBLEM - Radiator grille | 1.265 |
| 13. | MOULDING - Front wheel opening | 8.132 | | | |



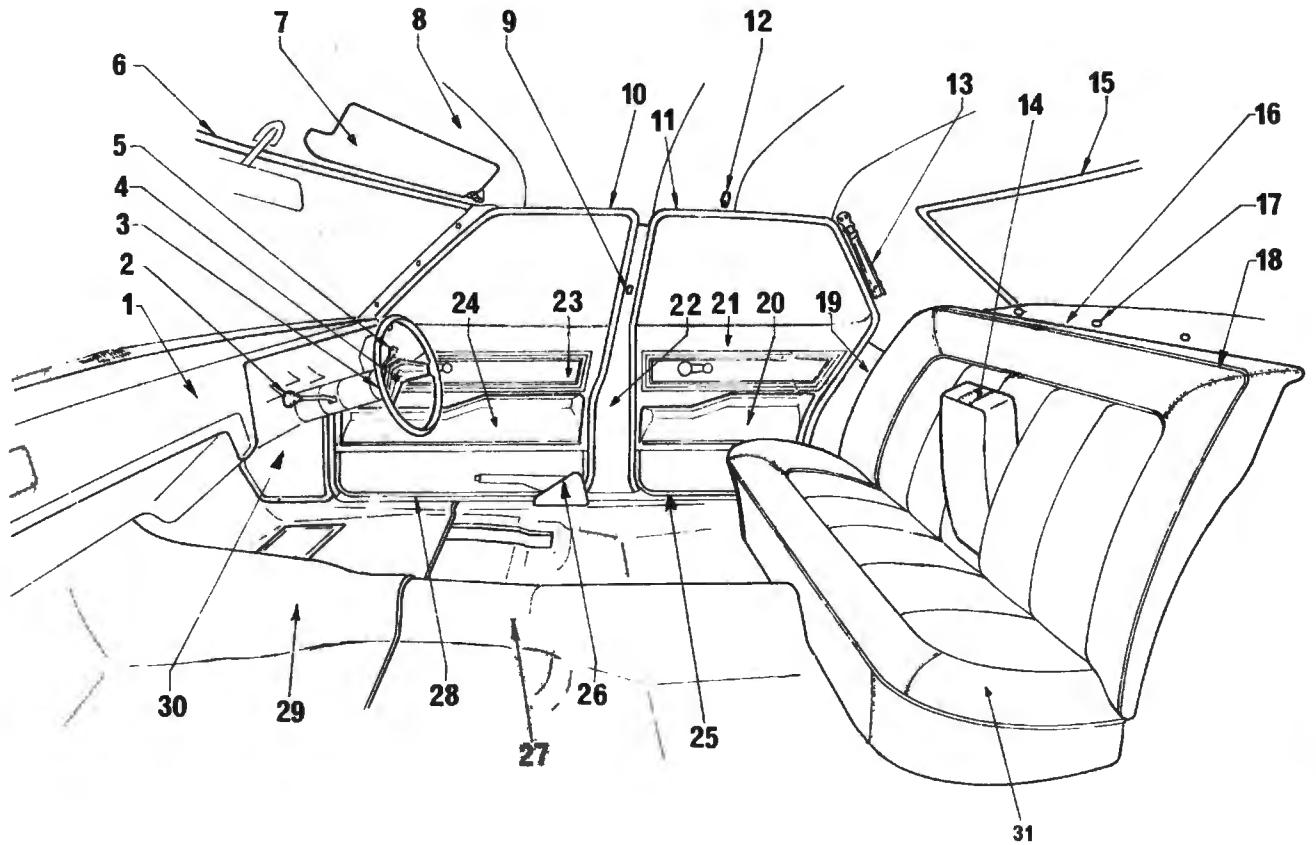
**MOULDINGS & NAME PLATES
(Utility)**

| ILLUS. REF. NO. | PART NAME | GROUP | ILLUS. REF. NO. | PART NAME | GROUP |
|-----------------|---|--------|-----------------|---------------------------------------|--------|
| 1. | EMBLEM - Radiator grille | 1.265 | 11. | MOULDING - Lower end gate | 12.182 |
| 2. | MOULDING - Windshield side reveal R.H. | 10.093 | 12. | PLATE - Lower end gate name | 12.182 |
| 3. | MOULDING - Windshield lower reveal | 10.093 | 13. | MOULDING - Tail Lamp reveal R.H. | 12.116 |
| 4. | MOULDING - Windshield upper reveal | 10.093 | 14. | EMBLEM - Engine identification | 12.182 |
| 5. | MOULDING - Windshield side reveal L.H. | 10.093 | 15. | MOULDING - Tail Lamp reveal L.H. | 12.116 |
| 6. | PLATE - Front fender name | 8.132 | 16. | MOULDING - Rear wheel opening | 12.116 |
| 7. | MOULDING - Roof side reveal | 12.075 | 17. | MOULDING - Upper body side | 12.116 |
| 8. | INSERT - Rear window glass upper | 11.208 | 18. | MOULDING - Door belt | 12.112 |
| 9. | INSERT - Rear window glass lower | 11.208 | 19. | MOULDING - Rocker panel | 8.304 |
| 10. | PLATE - "Trimatic" name | 12.182 | 20. | MOULDING - Front wheel opening | 8.132 |



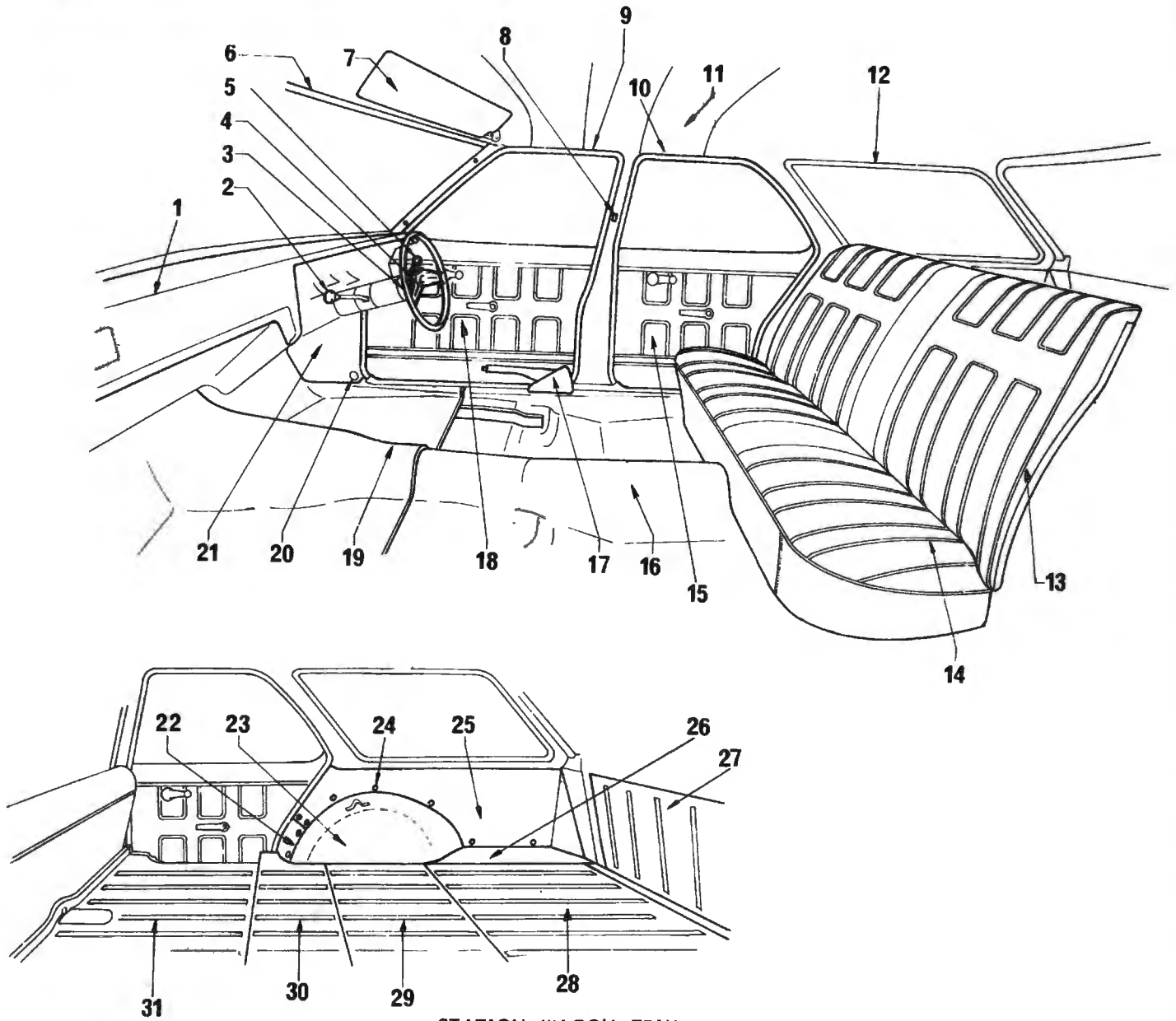
CARPET, SPARE WHEEL COVER REAR COMPARTMENT

| ILLUS. REF. NO. | PART NAME | GROUP | ILLUS. REF. NO. | PART NAME | GROUP |
|-----------------|----------------------|--------|-----------------|------------------------------------|--------|
| 1. | CARPET - Side | 15.294 | 3. | CARPET - Centre rear | 15.294 |
| 2. | CARPET - Floor | 15.294 | 4. | COVER ASSEMBLY - Spare wheel | 15.222 |



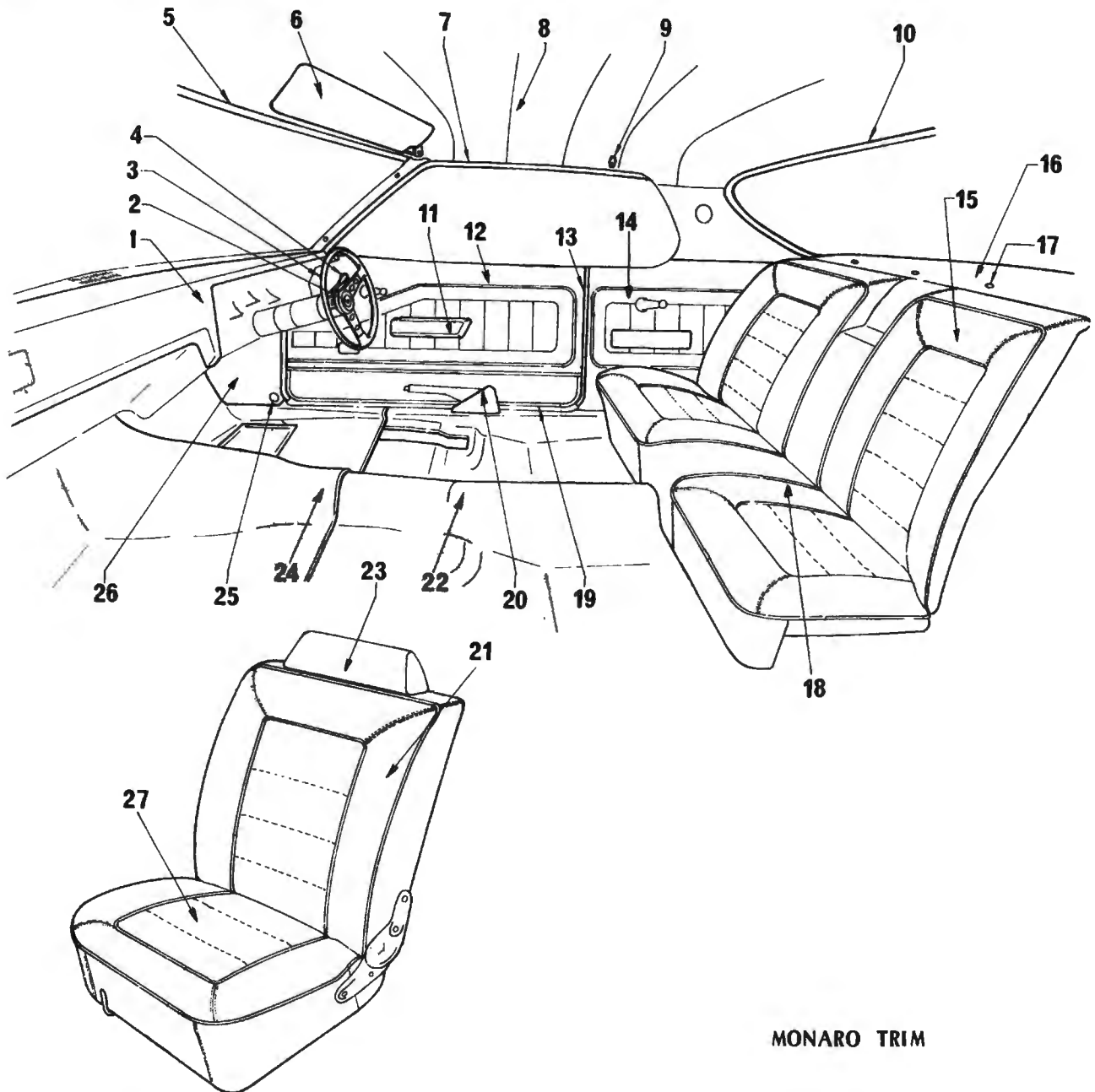
SEDAN TRIM

| ILLUS. REF. NO. | PART NAME | GROUP | ILLUS REF. NO. | PART NAME | GROUP |
|-----------------|---|--------|----------------|--|--------|
| 1. | PAD - Instrument panel | 14.655 | 16. | TRIM - Package tray | 15.024 |
| 2. | KNOB - Gearshift lever | 4.009 | 17. | FASTENER - Package tray trim | 15.024 |
| 3. | WHEEL ASSY. - Steering | 6.513 | 18. | COVER ASSY. - Rear seat back | 15.000 |
| 4. | BAR ASSY. - Horn actuating | 2.830 | 19. | TRIM ASSY. - Rear quarter side lower | 15.100 |
| 5. | KNOB - Turn signal lamp switch | 2.897 | 20. | ARMREST ASSY. - Rear door | 14.762 |
| 6. | LACE - Headlining trim front | 14.650 | 21. | TRIM ASSY. - Rear door | 14.760 |
| 7. | SUN VISOR ASSY. | 10.203 | 22. | TRIM - Centre pillar | 14.730 |
| 8. | HEADLINING ASSY. | 14.640 | 23. | TRIM ASSY. - Front door | 14.685 |
| 9. | HOOK - Seat belt stowage | 14.799 | 24. | ARMREST ASSY. - Front door | 14.686 |
| 10. | WINDLACE - Front door opening | 15.520 | 25. | PLATE - Rear door scuff | 11.179 |
| 11. | WINDLACE - Rear door opening | 15.520 | 26. | COVER - Hand brake lever | 4.608 |
| 12. | HOOK - Coat | 14.651 | 27. | CARPET - Rear floor | 15.306 |
| 13. | STRAP ASSY. - Assist grip | 15.390 | 28. | PLATE - Front door scuff | 11.175 |
| 14. | COVER ASSY. - Rear seat back arm rest | 15.001 | 29. | CARPET - Front floor | 15.286 |
| 15. | LACE - Rear window finish | 14.650 | 30. | TRIM ASSY. - Panel cowl side lower | 14.630 |
| | | | 31. | COVER ASSY. - Rear seat cushion | 15.035 |



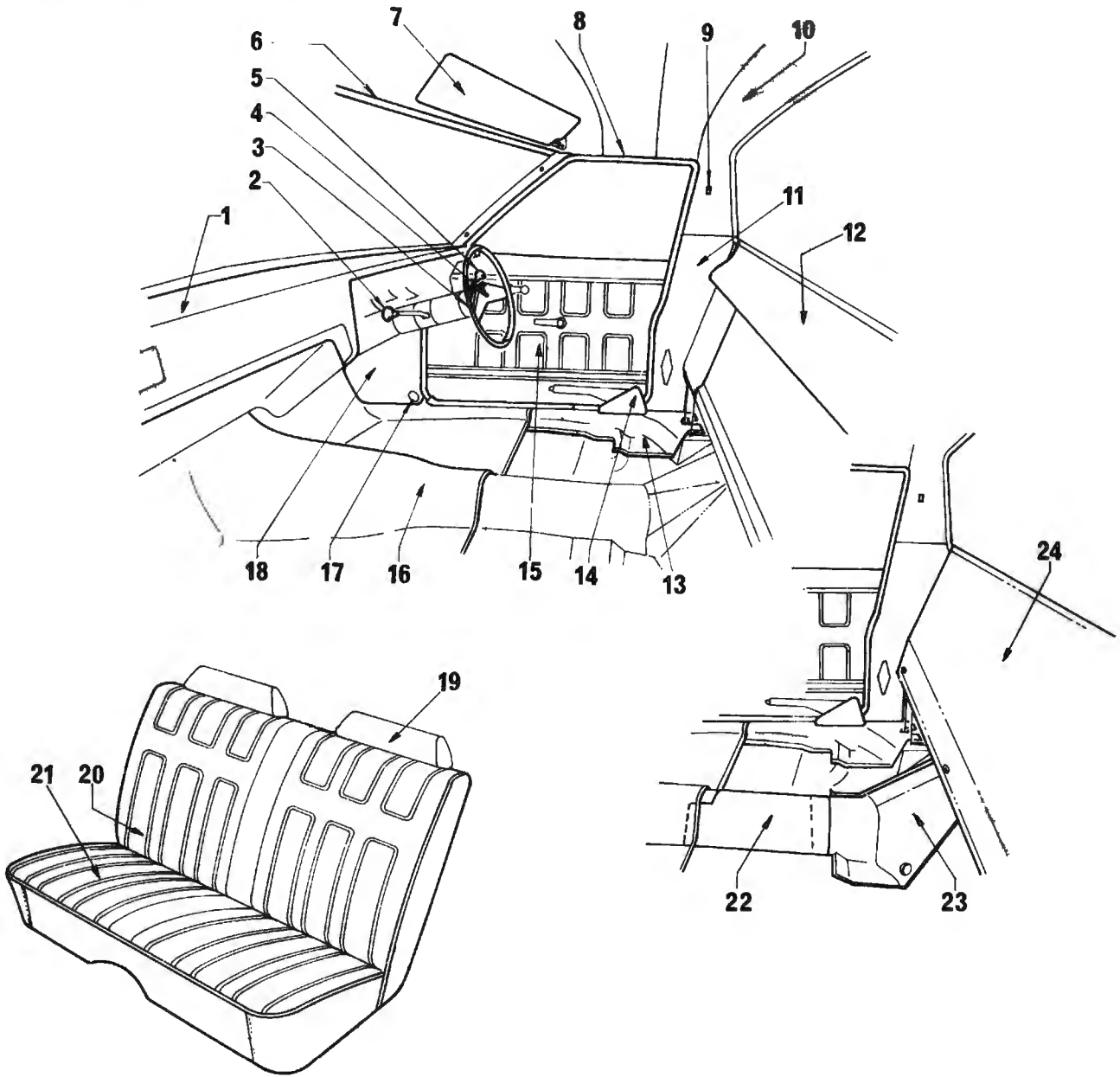
STATION WAGON TRIM

| ILLUS. REF. NO. | PART NAME | GROUP | ILLUS. REF. NO. | PART NAME | GROUP |
|-----------------|---------------------------------------|--------|-----------------|---|--------|
| 1. | PAD - Instrument panel | 14.655 | 16. | MAT - Rear floor | 15.306 |
| 2. | KNOB - Gearshift lever | 4.009 | 17. | COVER - Hand brake lever | 4.608 |
| 3. | WHEEL ASSY. - Steering | 6.513 | 18. | TRIM ASSY. - Front door | 14.685 |
| 4. | BAR ASSY. - Horn actuating | 2.830 | 19. | MAT - Front floor | 15.286 |
| 5. | KNOB - Turn signal lamp switch | 2.897 | 20. | FASTENER - Panel cowl side lower trim | 14.630 |
| 6. | LACE - Headlining trim front | 14.650 | 21. | TRIM ASSY. - Panel cowl side lower | 14.630 |
| 7. | SUN VISOR ASSY. | 10.203 | 22. | TRIM ASSY. - Rear quarter side inner extension | 15.100 |
| 8. | HOOK - Seat belt stowage | 14.799 | 23. | TRIM ASSY. - Wheelhouse | 15.100 |
| 9. | WINDLACE - Front door opening | 15.520 | 24. | FASTENER - Rear quarter side inner trim | 15.100 |
| 10. | WINDLACE - Rear door opening | 15.520 | 25. | TRIM ASSY. - Rear quarter side inner | 15.100 |
| 11. | HEADLINING ASSY. | 14.640 | 26. | TRIM ASSY. - Tonneau floor side | 15.308 |
| 12. | CHANNEL - Rear quarter window | 11.015 | 27. | TRIM - End gate panel | 15.311 |
| 13. | COVER ASSY. - Rear seat back | 15.000 | 28. | TRIM - Tonneau floor rear | 15.308 |
| 14. | COVER ASSY. - Rear seat cushion | 15.035 | 29. | TRIM - Tonneau floor front | 15.308 |
| 15. | TRIM ASSY. - Rear door | 14.760 | 30. | TRIM - Tonneau floor front filler | 15.308 |
| | | | 31. | TRIM ASSY. - Rear seat back | 15.310 |



MONARO TRIM

| ILLUS. REF. NO. | PART NAME | GROUP | ILLUS. REF. NO. | PART NAME | GROUP |
|-----------------|---------------------------------------|--------|-----------------|--|--------|
| 1. | PAD - Instrument panel | 14.655 | 15. | COVER ASSY. - Rear seat back | 15.000 |
| 2. | EMBLEM & BUTTON ASSY. | 2.820 | 16. | TRIM - Package tray | 15.024 |
| 3. | WHEEL ASSY. - Steering | 6.513 | 17. | FASTENER - Package tray trim | 15.024 |
| 4. | KNOB - Turn signal lamp switch | 2.897 | 18. | COVER ASSY. - Rear seat cushion | 15.035 |
| 5. | LACE - Headlining trim front | 14.650 | 19. | PLATE - Door scuff | 11.175 |
| 6. | SUN VISOR ASSY. | 10.203 | 20. | COVER - Hand brake lever | 4.608 |
| 7. | WINDLACE - Door opening | 15.520 | 21. | COVER ASSY. - Front seat back | 14.800 |
| 8. | HEADLINING ASSY. | 14.640 | 22. | CARPET - Rear floor | 15.306 |
| 9. | HOOK - Coat | 14.651 | 23. | COVER - Front seat back head restraint | 14.924 |
| 10. | LACE - Rear window finish | 14.650 | 24. | CARPET - Front floor | 15.286 |
| 11. | ARMREST ASSY. - Front door | 14.686 | 25. | FASTENER - Panel cowl side lower trim | 14.630 |
| 12. | TRIM ASSY. - Front door | 14.685 | 26. | TRIM ASSY. - Panel cowl side lower | 14.630 |
| 13. | WINDLACE - Rear quarter opening | 15.520 | 27. | COVER ASSY. - Front seat cushion | 14.880 |
| 14. | TRIM ASSY. - Rear quarter | 15.100 | | | |



PANEL VAN, UTILITY, CHASSIS & CAB TRIM

| ILLUS. REF. NO. | PART NAME | GROUP | ILLUS. REF. NO. | PART NAME | GROUP |
|-----------------|--|--------|-----------------|--|--------|
| 1. | PAD - Instrument panel | 14.655 | 13. | MAT - Rear floor | 15.306 |
| 2. | KNOB - Gearshift lever | 4.009 | 14. | COVER - Hand brake lever | 4.608 |
| 3. | WHEEL ASSY. - Steering | 6.513 | 15. | TRIM ASSY. - Front door | 14.685 |
| 4. | BAR ASSY. - Horn actuating | 2.830 | 16. | MAT - Front floor | 15.286 |
| 5. | KNOB - Turn signal lamp switch | 2.897 | 17. | FASTENER - Panel cowl side lower trim | 14.630 |
| 6. | LACE - Headlining trim front | 14.650 | 18. | TRIM ASSY. - Panel cowl side lower | 14.630 |
| 7. | SUN VISOR ASSY. | 10,203 | 19. | COVER - Front seat back head restraint | 14.924 |
| 8. | WINDLACE - Front door opening | 15.520 | 20. | COVER ASSY. - Front seat back | 14.800 |
| 9. | HOOK - Seat belt stowage | 14.799 | 21. | COVER ASSY. - Front seat cushion | 14.880 |
| 10. | HEADLINING ASSY. | 14.640 | 22. | MAT - Rear floor filler | 15.306 |
| 11. | TRIM ASSY. - Rear quarter lower | 15.100 | 23. | TRIM ASSY. - Rear floor centre | 15.306 |
| 12. | TRIM ASSY. - Rear window to seat | 15.024 | 24. | TRIM ASSY. - Seat back panel | 15.025 |

N O T E S

A series of horizontal lines for notes.

"HQ" PARTS CATALOGUE

| GROUP | DESCRIPTION | SIDE | PART No. | QTY. | BODY STYLE | 801 802 | 803 804 | 808 | 811 812 | 814 | 815 816 | 818 |
|---------------|---|------|----------|------|--------------------|------------|------------|-----|------------|-----|------------|-----|
| 10.001 | BODY ASSEMBLY – Complete Current production body assemblies complete with trim will be supplied on a Firm Order basis. | | | | | | | | | | | |
| 10.002 | BODY SHELL – Less Doors and Deck Lid (In Prime) | | | | | | | | | | | |
| | BODY SHELL | | 2817761 | 1 | 35 | X | X | | X | | | |
| | BODY SHELL | | 2817762 | 1 | 37 | | X | | X | | | |
| | BODY SHELL | | 2817763 | 1 | 37 | | | X | | | | X |
| | BODY SHELL | | 2817767 | 1 | 60 | X | | | | | | |
| | BODY SHELL | | 2817759 | 1 | 69 | X | X | | X | | | |
| | BODY SHELL | | 2817760 | 1 | 69 | | | | | X | X | |
| | BODY SHELL | | 2817765 | 1 | 70 | X | | | | | | |
| | BODY SHELL | | 2817766 | 1 | 50 | X | X | | | | | |
| | Note: Under certain conditions body shells other than those listed above may be required or some rework may be necessary. Accordingly, when ordering, please quote all details necessary for correct interpretation i.e. transmission, rear axle, seats, etc. | | | | | | | | | | | |
| 10.027 | GLASS – Windshield | | | | | | | | | | | |
| | GLASS - Armour Plate | | 2810347 | 1 | 35, 60, 69, 70, 80 | X | X | | X | X | X | |
| | GLASS - Laminated | | 2810349 | 1 | 35, 60, 69, 70, 80 | X | X | | X | X | X | |
| | GLASS - Laminated Tinted | | 2810350 | 1 | 35, 60, 69, 70, 80 | X | X | | X | X | X | |
| | GLASS - Armour Plate | | 2810348 | 1 | 37 | | X | X | X | | | X |
| | GLASS - Laminated | | 2812322 | 1 | 37 | | X | X | X | | | X |
| | GLASS - Laminated Tinted | | 2812323 | 1 | 37 | | X | X | X | | | X |
| 10.051 | PANEL – Front Body Pillar Garnish | | | | | | | | | | | |
| | PANEL | LH | 2813601 | 1 | 35, 60, 69, 70, 80 | X | X | | X | X | X | |
| | PANEL | RH | 2813600 | 1 | 35, 60, 69, 70, 80 | X | X | | X | X | X | |
| | PANEL | LH | 2813335 | 1 | 37 | | X | X | X | | | X |
| | PANEL | RH | 2813336 | 1 | 37 | | X | X | X | | | X |
| 10.093 | MOULDING – Windshield Reveal | | | | | | | | | | | |
| | MOULDING - Upper | LH | 2811175 | 1 | 35, 60, 69, 70, 80 | X | X | | X | X | X | |
| | MOULDING - Upper | RH | 2811176 | 1 | 35, 60, 69, 70, 80 | X | X | | X | X | X | |
| | MOULDING - Upper | LH | 2813641 | 1 | 37 | | X | X | X | | | X |
| | MOULDING - Upper | RH | 2813642 | 1 | 37 | | X | X | X | | | X |
| | MOULDING - Lower | LH | 2811999 | 1 | ALL | X | X | X | X | X | X | X |
| | MOULDING - Lower | RH | 2812000 | 1 | ALL | X | X | X | X | X | X | X |
| | MOULDING - Side | LH | 2810357 | 1 | 35, 60, 69, 70, 80 | X | X | | X | X | X | |
| | MOULDING - Side | RH | 2810356 | 1 | 35, 60, 69, 70, 80 | X | X | | X | X | X | |
| | MOULDING - Side | LH | 2813643 | 1 | 37 | | X | X | X | | | X |
| | MOULDING - Side | RH | 2813644 | 1 | 37 | | X | X | X | | | X |
| | CLIP - Upper Moulding to Roof (Stud Type) | | 8736585 | 6-8 | ALL | X | X | X | X | X | X | X |
| | CLIP - Upper Moulding to Roof (Screw Type) | | 7434873 | AR | ALL | X | X | X | X | X | X | X |
| | SCREW - Use with Clip No. 7434873 | | SP2192 | AR | ALL | X | X | X | X | X | X | X |
| | CLIP - Lower Moulding to Front End | | 8736585 | 10 | ALL | X | X | X | X | X | X | X |
| | SCREW | | 4816670 | 8 | 35, 60, 69, 70, 80 | X | X | | X | X | X | |
| | SCREW | | SP2192 | 8 | 35, 60, 69, 70, 80 | X | X | | X | X | X | |
| | SCREW | | 4816670 | 2 | 37 | | X | X | X | | | X |
| | SCREW | | SP2192 | 2 | 37 | | X | X | X | | | X |
| | SCREW | | SP2192 | 8 | 70 | X | | | | | | |
| 10.146 | BLADE ASSEMBLY – Windshield Wiper | | | | | | | | | | | |
| | BLADE ASSEMBLY | | 2814770 | 2 | ALL | X | X | X | X | X | X | X |
| | VERTEBRA & RUBBER INSERT | | VS11834 | 2 | ALL | X | X | X | X | X | X | X |

"HQ" PARTS CATALOGUE

| GROUP | DESCRIPTION | SIDE | PART No. | QTY. | BODY STYLE | 801 802 | 803 804 | 808 | 811 812 | 814 | 815 816 | 818 |
|--|---|------|----------|------|------------|------------|------------|-----|------------|-----|------------|-----|
| 10.147 ARM ASSEMBLY – Windshield Wiper | | | | | | | | | | | | |
| | ARM ASSEMBLY | | 2815472 | 1 | ALL | X | X | X | X | X | X | X |
| | ARM & ACTUATING LINK ASSY. | | 2815518 | 1 | ALL | X | X | X | X | X | X | X |
| | CLIP - Lock | | VS12250 | 1 | ALL | X | X | X | X | X | X | X |
| 10.150 MOTOR ASSEMBLY – Windshield Wiper | | | | | | | | | | | | |
| | MOTOR ASSEMBLY(Lucas) | | 2817695 | 1 | ALL | X | X | X | X | X | X | X |
| | NOTE: Preslite Motor 2817696 and Lucas Motor 2817695 fitted optionally in production. | | | | | | | | | | | |
| | ARMATURE ASSEMBLY(Preslite) | | VS11958 | 1 | ALL | X | X | X | X | X | X | X |
| | BALL - Armature thrust(Preslite) | | VS10285 | 1 | ALL | X | X | X | X | X | X | X |
| | BOLT - Through(Preslite) | | VS11957 | 2 | ALL | X | X | X | X | X | X | X |
| | CONE - Armature thrust(Preslite) | | 7421381 | 1 | ALL | X | X | X | X | X | X | X |
| | CRANK ASSEMBLY(Preslite) | | VS11942 | 1 | ALL | X | X | X | X | X | X | X |
| | FINGER - Earth(Preslite) | | VS11950 | 1 | ALL | X | X | X | X | X | X | X |
| | GEAR & SHAFT ASSEMBLY(Preslite) | | VS11945 | 1 | ALL | X | X | X | X | X | X | X |
| | HOUSING - Armature(Preslite) | | VS11955 | 1 | ALL | X | X | X | X | X | X | X |
| | HOUSING ASSEMBLY - Gear(Preslite) | | VS11959 | 1 | ALL | X | X | X | X | X | X | X |
| | NUT - Crank retaining(Preslite) | | 7429033 | 1 | ALL | X | X | X | X | X | X | X |
| | PAD - Armature thrust(Preslite) | | VS10286 | 1 | ALL | X | X | X | X | X | X | X |
| | PIN - Pump retaining(Preslite) | | VS11953 | 2 | ALL | X | X | X | X | X | X | X |
| | RING - Pump retaining pin(Preslite) | | VS11943 | 2 | ALL | X | X | X | X | X | X | X |
| | SCREW - Pump retaining(Preslite) | | VS10280 | 2 | ALL | X | X | X | X | X | X | X |
| | SCREW - Earth finger(Preslite) | | VS11951 | 1 | ALL | X | X | X | X | X | X | X |
| | SPRING - Pump retaining pin(Preslite) | | VS11944 | 2 | ALL | X | X | X | X | X | X | X |
| | STRAP - Earth(Preslite) | | VS11941 | 1 | ALL | X | X | X | X | X | X | X |
| | TERMINAL BLOCK ASSEMBLY(Preslite) | | VS11947 | 1 | ALL | X | X | X | X | X | X | X |
| | WASHER - Pump retaining screw, flat(Preslite) | | VS11948 | 2 | ALL | X | X | X | X | X | X | X |
| | WASHER - Pump ret. screw, dished(Preslite) | | VS11949 | 2 | ALL | X | X | X | X | X | X | X |
| | WASHER - Gear and shaft flat(Preslite) | | 7425272 | 2 | ALL | X | X | X | X | X | X | X |
| | WASHER - Gear and shaft wave(Preslite) | | 7429031 | 1 | ALL | X | X | X | X | X | X | X |
| | ARMATURE ASSEMBLY(Lucas) | | VS11849 | 1 | ALL | X | X | X | X | X | X | X |
| | BEARING SET - Commutator end(Lucas) | | VS10657 | 1 | ALL | X | X | X | X | X | X | X |
| | BEARING SET - Yoke(Lucas) | | VS11848 | 1 | ALL | X | X | X | X | X | X | X |
| | BRUSH GEAR(Lucas) | | VS11843 | 1 | ALL | X | X | X | X | X | X | X |
| | BRUSH SET(Lucas) | | VS11844 | 1 | ALL | X | X | X | X | X | X | X |
| | CONTACT - Earth(Lucas) | | VS11859 | 1 | ALL | X | X | X | X | X | X | X |
| | GEAR & SHAFT ASSEMBLY(Lucas) | | VS11864 | 1 | ALL | X | X | X | X | X | X | X |
| | CRANK ASSEMBLY(Lucas) | | VS11865 | 1 | ALL | X | X | X | X | X | X | X |
| | SCREW - Cover attaching(Lucas) | | VS10562 | 4 | ALL | X | X | X | X | X | X | X |
| | SCREW - Thrust(Lucas) | | VS11852 | 1 | ALL | X | X | X | X | X | X | X |
| | SPRING SET - Brush(Lucas) | | VS11845 | 1 | ALL | X | X | X | X | X | X | X |
| | STRAP - Earth(Lucas) | | VS11862 | 1 | ALL | X | X | X | X | X | X | X |
| | TERMINAL - Switch(Lucas) | | VS11858 | 1 | ALL | X | X | X | X | X | X | X |
| 10.152 PLATE, SEAL, INSULATOR – Windshield Wiper Motor Mounting | | | | | | | | | | | | |
| | PLATE - Seal Retainer | | 2815470 | 1 | ALL | X | X | X | X | X | X | X |
| | SEAL - Motor to Dash Panel | | 2815469 | 1 | ALL | X | X | X | X | X | X | X |
| | INSULATOR | | 7432748 | 3 | ALL | X | X | X | X | X | X | X |
| | RETAINER - Insulator | | 7432326 | 3 | ALL | X | X | X | X | X | X | X |
| 10.159 LINK ASSEMBLY – Windshield Wiper | | | | | | | | | | | | |
| | LINK & PIVOT ASSEMBLY | LH | 2819601 | 1 | ALL | X | X | X | X | X | X | X |
| | | RH | 2819600 | 1 | ALL | X | X | X | X | X | X | X |
| | SCREW | | SP2119 | 3 | ALL | X | X | X | X | X | X | X |
| 10.160 CLIP – Windshield Drive Link Retainer | | | | | | | | | | | | |
| | CLIP | | SP2383 | 1 | ALL | X | X | X | X | X | X | X |

BODY

"HQ" PARTS CATALOGUE

| GROUP | DESCRIPTION | SIDE | PART No. | QTY. | BODY STYLE | 801 802 | 803 804 | 808 | 811 812 | 814 | 815 816 | 818 |
|---------------|--|----------|----------|---------------------------|----------------|--------------------|------------|-----|------------|-----|------------|-----|
| 10.161 | SEAL – Windshield Wiper Pivot | | | | | | | | | | | |
| | SEAL | | 2815471 | 1 | ALL | X | X | X | X | X | X | X |
| 10.163 | SWITCH ASSEMBLY – Windshield Wiper | | | | | | | | | | | |
| | SWITCH ASSEMBLY | | 2813900 | 1 | ALL | X | X | X | X | X | X | X |
| 10.185 | MIRROR ASSEMBLY – Rear Vision | | | | | | | | | | | |
| | MIRROR ASSEMBLY – Interior, Plain | | 2816950 | 1 | 35, 37, 69, 80 | X | X | | | | | |
| | MIRROR ASSEMBLY – Interior, Plain | | 2816950 | 1 | 60, 70 | X | | | | | | |
| | MIRROR ASSEMBLY – Interior Anti Glare | | 7430042 | 1 | 35, 37, 69 | | | X | X | X | X | X |
| | MIRROR ASSEMBLY – Interior Anti Glare | | 7430042 | 1 | ALL | X | X | | | | | |
| | SCREW – Mirror Pivot | | 7432145 | 1 | ALL | X | X | X | X | X | X | X |
| | MIRROR PACKAGE – Ext. LH Door mtg, Access. | | 2819324 | 1 | Exc. 60 | X | X | X | X | X | X | X |
| | MIRROR PACKAGE – Ext. RH door mtg | | M37196 | 1 | Exc. 60 | X | X | X | X | X | X | X |
| | MIRROR – Exterior | | 2817539 | 1-2 | Exc. 60 | X | X | X | X | X | X | X |
| | MIRROR PACKAGE – Ext. Remote Control | | 2822896 | 1 | Exc. 60 | X | X | X | X | X | X | X |
| | MIRROR – Exterior | | 2823480 | 2 | 60 | X | | | | | | |
| | REINFORCEMENT – Mirror | | 2823271 | 2 | 60 | X | | | | | | |
| 10.187 | SUPPORT – Rear Vision Mirror | | | | | | | | | | | |
| | SUPPORT – Interior Mirror | | 7434996 | 1 | 35, 69, 80 | X | X | | X | X | X | |
| | SUPPORT – Interior Mirror | | 7434996 | 1 | 60, 70 | X | | | | | | |
| | SUPPORT – Interior Mirror | | 2813886 | 1 | 37 | | X | X | X | | | X |
| | PLATE – Support Mounting | | 7434998 | 1 | 35, 37, 69, 80 | X | X | X | X | X | X | X |
| | PLATE – Support Mounting | | 7434998 | 1 | 60, 70 | X | | | | | | |
| | SUPPORT – Exterior Mirror – Door Mounting | LH | 2818021 | 1 | Exc. 60 | X | X | X | X | X | X | X |
| | | RH | 2818020 | 1 | Exc. 60 | X | X | X | X | X | X | X |
| | PAD | LH | 2818023 | 1 | Exc. 60 | X | X | X | X | X | X | X |
| | | RH | 2818024 | 1 | Exc. 80 | X | X | X | X | X | X | X |
| | BRACKET – Mounting | | 2818022 | 1-2 | Exc. 60 | X | X | X | X | X | X | X |
| | SCREW – Bracket to Door | | SP2284 | AR | Exc. 60 | X | X | X | X | X | X | X |
| | SCREW – Support to Bracket | | SP2209 | 1-2 | Exc. 60 | X | X | X | X | X | X | X |
| | NUT – Door Bracket | | 2820823 | AR | Exc. 60 | X | X | X | X | X | X | X |
| | SUPPORT – Exterior Mirror | LH | 2823493 | 1 | 60 | X | | | | | | |
| | | RH | 2823494 | 1 | 60 | X | | | | | | |
| | GASKET – Support | | 7439253 | 2 | 60 | X | | | | | | |
| | SCREW – Support | | SP2212 | 4 | 60 | X | | | | | | |
| 10.203 | SUN VISOR ASSEMBLY | | | | | | | | | | | |
| | TRIM Nos. 12A, 12B, 12E, 22A, 22B, 22E | (Red) | LH | (² 2815199CB) | 1 | 35, 60, 69, 70, 80 | X | X | | | | |
| | | | RH | (² 2815200CB) | 1 | 35, 60, 69, 70, 80 | X | X | | | | |
| | TRIM Nos. 14A, 14B, 14E, 24A, 24B, 24E | (Blue) | LH | (² 2815199CD) | 1 | 35, 60, 69, 70, 80 | X | X | | | | |
| | | | RH | (² 2815200CD) | 1 | 35, 60, 69, 70, 80 | X | X | | | | |
| | TRIM Nos. 16E, 16G | (Green) | LH | (² 2815199CE) | 1 | 35, 60, 69, 70, 80 | X | X | | | | |
| | | | RH | (² 2815200CE) | 1 | 35, 60, 69, 70, 80 | X | X | | | | |
| | TRIM Nos. 19A, 19B, 19E, 19G | (Brown) | LH | (² 2815199CJ) | 1 | 35, 60, 69, 70, 80 | X | X | | | | |
| | | | RH | (² 2815200CJ) | 1 | 35, 60, 69, 70, 80 | X | X | | | | |
| | TRIM Nos 10A, 10B, 10C, 10D, 10E, 10G, 10H, 30A, 30B, 30E, 30G, 30H | (Black) | LH | (² 2823213BA) | 1 | 35, 60, 69, 70, 80 | X | X | | | | |
| | | | RH | (² 2823214BA) | 1 | 35, 60, 69, 70, 80 | X | X | | | | |
| | TRIM Nos. 11A, 11B, 11E, 11G, 21A, 21B, 21E, 21G | (Saddle) | LH | (² 2823213CA) | 1 | 35, 60, 69, 70, 80 | X | X | | | | |
| | | | RH | (² 2823214CA) | 1 | 35, 60, 69, 70, 80 | X | X | | | | |
| | TRIM Nos. 12A, 12B, 12E, 22A, 22B, 22E | (Red) | LH | (² 2823213CB) | 1 | 35, 60, 69, 70, 80 | X | X | | | | |
| | | | RH | (² 2823214CB) | 1 | 35, 60, 69, 70, 80 | X | X | | | | |
| | TRIM Nos 14A, 14B, 14E, 24A, 24B, 24E | (Blue) | LH | (² 2823213CD) | 1 | 35, 60, 69, 70, 80 | X | X | | | | |
| | | | RH | (² 2823214CD) | 1 | 35, 60, 69, 70, 80 | X | X | | | | |
| | TRIM Nos. 16E, 16G | (Green) | LH | (² 2823213CE) | 1 | 35, 60, 69, 70, 80 | X | X | | | | |
| | | | RH | (² 2823214CE) | 1 | 35, 60, 69, 70, 80 | X | X | | | | |

Note: (² Wire frame type.
(² Self skinned moulded type.

"HQ" PARTS CATALOGUE

| GROUP | DESCRIPTION | SIDE | PART No. | QTY. | BODY STYLE | 801 802 | 803 804 | 808 | 811 812 | 814 | 815 816 | 818 |
|---|--|------|--------------------------|------|--------------------|------------|------------|-----|------------|-----|------------|-----|
| 10.203 SUN VISOR ASSEMBLY (contd.) | | | | | | | | | | | | |
| | TRIM Nos. 17A, 18E, 18H, 19C, 28E, 28H(Flax) | LH | (² 2823213CG | 1 | 35, 60, 69, 70, 80 | X | X | | | | | |
| | | RH | (² 2823214CG | 1 | 35, 60, 69, 70, 80 | X | X | | | | | |
| | TRIM Nos. 19A, 19B, 19E, 19G(Brown) | LH | (² 2823213CJ | 1 | 35, 60, 69, 70, 80 | X | X | | | | | |
| | | RH | (² 2823214CJ | 1 | 35, 60, 69, 70, 80 | X | X | | | | | |
| | TRIM Nos. 10A, 10B, 10E, 10G, 10H, 11A, 11B, 11E, 11G, 12A, 12B, 12E, 14A, 14B, 14E, 16E, 16G, 19A, 19B, 19E, 19G, 21A, 21B, 21E, 21G, 22A, 22B, 22E, 24A, 24B, 24E(Flax) | LH | (² 2823213CG | 1 | 35, 60, 69, 70, 80 | X | X | | | | | |
| | | RH | (² 2823214CG | 1 | 35, 60, 69, 70, 80 | X | X | | | | | |
| | TRIM Nos. 32A, 32B, 32E(Cinnabar) | LH | (² 2823213DA | 1 | 35, 60, 69, 70, 80 | X | X | | | | | |
| | | RH | (² 2823214DA | 1 | 35, 60, 69, 70, 80 | X | X | | | | | |
| | TRIM Nos. 34A, 34B, 34E, 34G(Indigo) | LH | (² 2823213DB | 1 | 35, 60, 69, 70, 80 | X | X | | | | | |
| | | RH | (² 2823214DB | 1 | 35, 60, 69, 70, 80 | X | X | | | | | |
| | TRIM Nos. 35A, 35B, 35E, 35G(Ash) | LH | (² 2823213DC | 1 | 35, 60, 69, 70, 80 | X | X | | | | | |
| | | RH | (² 2823214DC | 1 | 35, 60, 69, 70, 80 | X | X | | | | | |
| | TRIM Nos. 36E, 36G(Juniper) | LH | (² 2823213DE | 1 | 35, 60, 69, 70, 80 | X | X | | | | | |
| | | RH | (² 2823214DE | 1 | 35, 60, 69, 70, 80 | X | X | | | | | |
| | TRIM Nos. 38E, 38G(Doeskin) | LH | (² 2823213DF | 1 | 35, 60, 69, 70, 80 | X | X | | | | | |
| | | RH | (² 2823214DF | 1 | 35, 60, 69, 70, 80 | X | X | | | | | |
| | TRIM Nos. 39A, 39B, 39E, 39G(Chestnut) | LH | (² 2823213DG | 1 | 35, 60, 69, 70, 80 | X | X | | | | | |
| | | RH | (² 2823214DG | 1 | 35, 60, 69, 70, 80 | X | X | | | | | |
| | TRIM Nos. 34A, 34B, 34E, 34G(Ash) | LH | (² 2823213DC | 1 | 35, 60, 69, 70, 80 | X | X | | | | | |
| | | RH | (² 2823214DC | 1 | 35, 60, 69, 70, 80 | X | X | | | | | |
| | TRIM Nos. 30A, 30B, 30E, 30G, 30H, 32A, 32B, 32E, 36E, 36G, 39A, 39B, 39E, 39G(Doeskin) | LH | (² 2823213DF | 1 | 35, 60, 69, 70, 80 | X | X | | | | | |
| | | RH | (² 2823214DF | 1 | 35, 60, 69, 70, 80 | X | X | | | | | |
| | TRIM Nos. 10E, 10R, 10S, 10X, 10Y, 10Z(Black) | LH | (² 2815199BA | 1 | 37 | | X | X | X | | | X |
| | | RH | (² 2815200BA | 1 | 37 | | X | X | X | | | X |
| | TRIM Nos. 11E, 11R, 11S, 11X, 11Y, 21E, 21R, 21S, 21X, 21Y(Saddle) | LH | (² 2815199CA | 1 | 37 | | X | X | X | | | X |
| | | RH | (² 2815200CA | 1 | 37 | | X | X | X | | | X |
| | TRIM Nos. 12E, 12R, 22E, 22R(Red) | LH | (² 2815199CB | 1 | 37 | | X | X | X | | | X |
| | | RH | (² 2815200CB | 1 | 37 | | X | X | X | | | X |
| | TRIM Nos. 14E, 14R, 14X, 14Y, 24E, 24R, 24X, 24Y(Blue) | LH | (² 2815199CD | 1 | 37 | | X | X | X | | | X |
| | | RH | (² 2815200CD | 1 | 37 | | X | X | X | | | X |
| | TRIM Nos. 16R, 16X, 16Y(Green) | LH | (² 2815199CE | 1 | 37 | | X | X | X | | | X |
| | | RH | (² 2815200CE | 1 | 37 | | X | X | X | | | X |
| | TRIM Nos. 18E, 18R, 18S, 18X, 18Y, 28E, 28R, 28S(Flax) | LH | (² 2815199CG | 1 | 37 | | X | X | X | | | X |
| | | RH | (² 2815200CG | 1 | 37 | | X | X | X | | | X |
| | TRIM Nos. 19E, 19R, 19S, 19X, 19Y(Brown) | LH | (² 2815199CJ | 1 | 37 | | X | X | X | | | X |
| | | RH | (² 2815200CJ | 1 | 37 | | X | X | X | | | X |
| | TRIM Nos. 10E, 10R, 10S, 10X, 10Y, 10Z, 30E, 30G, 30H, 30R, 30T, 30X, 30Y, 35X, 35Y(Black) | LH | (² 2823213BA | 1 | 37 | | X | X | X | | | X |
| | | RH | (² 2823214BA | 1 | 37 | | X | X | X | | | X |
| | TRIM Nos. 11E, 11R, 11S, 11X, 11Y, 21E, 21R, 21S, 21X, 21Y(Saddle) | LH | (² 2823213CA | 1 | 37 | | X | X | X | | | X |
| | | RH | (² 2823214CA | 1 | 37 | | X | X | X | | | X |
| | TRIM Nos. 12E, 12R, 22E, 22R(Red) | LH | (² 2823213CB | 1 | 37 | | X | X | X | | | X |
| | | RH | (² 2823214CB | 1 | 37 | | X | X | X | | | X |
| | TRIM Nos. 14E, 14R, 14X, 14Y, 24E, 24R, 24X, 24Y(Blue) | LH | (² 2823213CD | 1 | 37 | | X | X | X | | | X |
| | | RH | (² 2823214CD | 1 | 37 | | X | X | X | | | X |
| | TRIM Nos. 16E, 16X, 16Y(Green) | LH | (² 2823213CE | 1 | 37 | | X | X | X | | | X |
| | | RH | (² 2823214CE | 1 | 37 | | X | X | X | | | X |
| | TRIM Nos. 18E, 18R, 18S, 18X, 18Y, 28E, 28R, 28S(Flax) | LH | (² 2823213CG | 1 | 37 | | X | X | X | | | X |
| | | RH | (² 2823214CG | 1 | 37 | | X | X | X | | | X |

Note: (² Wire frame type.
(² Self skinned moulded type.

"HQ" PARTS CATALOGUE

| GROUP | DESCRIPTION | SIDE | PART No. | QTY. | BODY STYLE | 801 802 | 803 804 | 808 | 811 812 | 814 | 815 816 | 818 |
|---|--|------|--------------------------|------|------------|------------|------------|-----|------------|-----|------------|-----|
| 10.203 SUN VISOR ASSEMBLY (contd.) | | | | | | | | | | | | |
| | TRIM Nos. 19E, 19R, 19S, 19X, 19Y(Brown) | LH | (² 2823213CJ | 1 | 37 | | X | X | X | | | X |
| | | RH | (² 2823214CJ | 1 | 37 | | X | X | X | | | X |
| | TRIM Nos. 32E, 32R(Cinnabar) | LH | (² 2823213DA | 1 | 37 | | X | X | X | | | X |
| | | RH | (² 2823214DA | 1 | 37 | | X | X | X | | | X |
| | TRIM Nos. 34E, 34G, 34R, 34T, 34X, 34Y(Indigo) | LH | (² 2823213DB | 1 | 37 | | X | X | X | | | X |
| | | RH | (² 2823214DB | 1 | 37 | | X | X | X | | | X |
| | TRIM Nos. 35E, 35G, 35R(Ash) | LH | (² 2823213DC | 1 | 37 | | X | X | X | | | X |
| | | RH | (² 2823214DC | 1 | 37 | | X | X | X | | | X |
| | TRIM Nos. 36E, 36G, 36R, 36T, 36X, 36Y(Juniper) | LH | (² 2823213DE | 1 | 37 | | X | X | X | | | X |
| | | RH | (² 2823214DE | 1 | 37 | | X | X | X | | | X |
| | TRIM Nos. 38E, 38G, 38R, 38T, 38X, 38Y(Doeskin) | LH | (² 2823213DF | 1 | 37 | | X | X | X | | | X |
| | | RH | (² 2823214DF | 1 | 37 | | X | X | X | | | X |
| | TRIM Nos. 39E, 39G, 39R, 39T, 39X, 39Y(Chestnut) | LH | (² 2823213DG | 1 | 37 | | X | X | X | | | X |
| | | RH | (² 2823214DG | 1 | 37 | | X | X | X | | | X |
| | TRIM Nos. 10R, 10T, 10U(Black) | LH | (² 2815201BA | 1 | 35, 69 | | | | X | | X | |
| | | RH | (² 2815202BA | 1 | 35, 69 | | | | X | | X | |
| | TRIM Nos. 11R, 11T, 21R, 21T(Saddle) | LH | (² 2815201CA | 1 | 35, 69 | | | | X | | X | |
| | | RH | (² 2815202CA | 1 | 35, 69 | | | | X | | X | |
| | TRIM Nos. 12R, 22R(Red) | LH | (² 2815201CB | 1 | 35, 69 | | | | X | | X | |
| | | RH | (² 2815202CB | 1 | 35, 69 | | | | X | | X | |
| | TRIM Nos. 14R, 24R(Blue) | LH | (² 2815201CD | 1 | 35, 69 | | | | X | | X | |
| | | RH | (² 2815202CD | 1 | 35, 69 | | | | X | | X | |
| | TRIM Nos. 16R, 16T(Green) | LH | (² 2815201CE | 1 | 35, 69 | | | | X | | X | |
| | | RH | (² 2815202CE | 1 | 35, 69 | | | | X | | X | |
| | TRIM Nos. 18R, 18U, 28R, 28U(Flax) | LH | (² 2815201CG | 1 | 35, 69 | | | | X | | X | |
| | | RH | (² 2815202CG | 1 | 35, 69 | | | | X | | X | |
| | TRIM Nos. 19R, 19T(Brown) | LH | (² 2815201CJ | 1 | 35, 69 | | | | X | | X | |
| | | RH | (² 2815202CJ | 1 | 35, 69 | | | | X | | X | |
| | TRIM Nos. 10R, 10T, 10U, 11R, 11T, 12R, 14R, 16R, 16T, 19R, 19T, 21R, 21T, 22R(Flax) | LH | (² 2815201CG | 1 | 35, 69 | | | | X | | X | |
| | | RH | (² 2815202CG | 1 | 35, 69 | | | | X | | X | |
| | TRIM Nos. 10M, 10N(Black) | LH | (² 2815205BA | 1 | 69 | | | | | X | | |
| | | RH | (² 2815202BA | 1 | 69 | | | | | X | | |
| | TRIM Nos. 11M, 11N, 21M, 21N(Saddle) | LH | (² 2815205CA | 1 | 69 | | | | | X | | |
| | | RH | (² 2815202CA | 1 | 69 | | | | | X | | |
| | TRIM Nos. 14M(Blue) | LH | (² 2815205CD | 1 | 69 | | | | | X | | |
| | | RH | (² 2815202CD | 1 | 69 | | | | | X | | |
| | TRIM Nos. 18M, 18N, 28M, 28N(Flax) | LH | (² 2815205CG | 1 | 69 | | | | | X | | |
| | | RH | (² 2815202CG | 1 | 69 | | | | | X | | |
| | TRIM Nos. 19M, 19N(Brown) | LH | (² 2815205CJ | 1 | 69 | | | | | X | | |
| | | RH | (² 2815202CJ | 1 | 69 | | | | | X | | |
| | TRIM Nos. 10M, 10N, 11M, 11N, 14M, 19M, 19N, 21M, 21N(Flax) | LH | (² 2815205CG | 1 | 69 | | | | | X | | |
| | | RH | (² 2815202CG | 1 | 69 | | | | | X | | |
| | TRIM Nos. 10M, 10N, 10R, 10T, 10U, 30M, 30N, 30R, 30T(Black) | LH | (² 2823215BA | 1 | 35, 69 | | | | X | X | X | |
| | | RH | (² 2823216BA | 1 | 35, 69 | | | | X | X | X | |
| | TRIM Nos. 11M, 11N, 11R, 11T, 21M, 21N, 21R 21T(Saddle) | LH | (² 2823215CA | 1 | 35, 69 | | | | X | X | X | |
| | | RH | (² 2823216CA | 1 | 35, 69 | | | | X | X | X | |
| | TRIM Nos. 12R, 22R(Red) | LH | (² 2823215CB | 1 | 35, 69 | | | | X | X | X | |
| | | RH | (² 2823216CB | 1 | 35, 69 | | | | X | X | X | |
| | TRIM Nos. 14M, 14R, 24R(Blue) | LH | (² 2823215CD | 1 | 35, 69 | | | | X | X | X | |
| | | RH | (² 2823216CD | 1 | 35, 69 | | | | X | X | X | |
| | TRIM Nos. 16R, 16T(Green) | LH | (² 2823215CE | 1 | 35, 69 | | | | X | X | X | |
| | | RH | (² 2823216CE | 1 | 35, 69 | | | | X | X | X | |

Note: (² Wire frame type.
(³ Self skinned moulded type.

"HQ" PARTS CATALOGUE

| GROUP | DESCRIPTION | SIDE | PART No. | QTY. | BODY STYLE | 801 802 | 803 804 | 808 | 811 812 | 814 | 815 816 | 818 |
|---|---|------|--------------------------|------|------------|------------|------------|-----|------------|-----|------------|-----|
| 10.203 SUN VISOR ASSEMBLY (contd.) | | | | | | | | | | | | |
| | TRIM Nos. 18M, 18N, 18R, 18U, 28M, 28N, 28R, 28U(Flax) | LH | (³ 2823215CG | 1 | 35, 69 | | | | X | X | X | |
| | | RH | (³ 2823216CG | 1 | 35, 69 | | | | X | X | X | |
| | TRIM Nos. 19M, 19N, 19R, 19T(Brown) | LH | (³ 2823215CJ | 1 | 35, 69 | | | | X | X | X | |
| | | RH | (³ 2823216CJ | 1 | 35, 69 | | | | X | X | X | |
| | TRIM Nos. 10M, 10N, 10R, 10T, 10U, 11M, 11N, 11R, 11T, 12R, 14M, 14R, 16R, 16T, 19M, 19N, 19R, 19T, 21M, 21N, 21R, 21T, 22R, 24R(Flax) | LH | (³ 2823215CG | 1 | 35, 69 | | | | X | X | X | |
| | | RH | (³ 2823216CG | 1 | 35, 69 | | | | X | X | X | |
| | TRIM Nos. 32R(Cinnabar) | LH | (³ 2823215DA | 1 | 35, 69 | | | | X | X | X | |
| | | RH | (³ 2823216DA | 1 | 35, 69 | | | | X | X | X | |
| | TRIM Nos. 34M, 34N, 34R, 34T(Indigo) | LH | (³ 2823215DB | 1 | 35, 69 | | | | X | X | X | |
| | | RH | (³ 2823216DB | 1 | 35, 69 | | | | X | X | X | |
| | TRIM Nos. 35M, 35N, 35R(Ash) | LH | (³ 2823215DC | 1 | 35, 69 | | | | X | X | X | |
| | | RH | (³ 2823216DC | 1 | 35, 69 | | | | X | X | X | |
| | TRIM Nos. 36R, 36T(Juniper) | LH | (³ 2823215DE | 1 | 35, 69 | | | | X | X | X | |
| | | RH | (³ 2823216DE | 1 | 35, 69 | | | | X | X | X | |
| | TRIM Nos. 38M, 38N, 38R, 38T(Doeskin) | LH | (³ 2823215DF | 1 | 35, 69 | | | | X | X | X | |
| | | RH | (³ 2823216DF | 1 | 35, 69 | | | | X | X | X | |
| | TRIM Nos. 39M, 39N, 39R, 39T(Chestnut) | LH | (³ 2823215DG | 1 | 35, 69 | | | | X | X | X | |
| | | RH | (³ 2823216DG | 1 | 35, 69 | | | | X | X | X | |
| | TRIM Nos. 34R, 34T(Ash) | LH | (³ 2823215DC | 1 | 35, 69 | | | | X | X | X | |
| | | RH | (³ 2823216DC | 1 | 35, 69 | | | | X | X | X | |
| | TRIM Nos. 30R, 30T, 32R, 36R, 36T, 39R, 39T(Doeskin) | LH | (³ 2823215DF | 1 | 35, 69 | | | | X | X | X | |
| | | RH | (³ 2823216DF | 1 | 35, 69 | | | | X | X | X | |
| | GROMMET - Anti-rattle | | 4881401 | 2 | 35, 69 | | | | X | X | X | |
| 10.219 SUPPORT - Sun Visor | | | | | | | | | | | | |
| | TRIM Nos. 10M, 10N, 10R, 10T, 10U(Black) | | 2815002BA | 2 | ALL | | | | X | X | X | |
| | TRIM Nos. 11M, 11N, 11R, 11T, 21M, 21N, 21R, 21T(Saddle) | | 2815002CA | 2 | ALL | | | | X | X | X | |
| | TRIM Nos. 12R, 22R(Red) | | 2815002CB | 2 | ALL | | | | X | | X | |
| | TRIM Nos. 14M, 14R, 24R(Blue) | | 2815002CD | 2 | ALL | | | | X | | X | |
| | TRIM Nos. 16R, 16T(Green) | | 2815002CE | 2 | ALL | | | | X | | X | |
| | TRIM Nos. 18M, 18N, 18R, 18U, 28M, 28N, 28R, 28U(Flax) | | 2815002CG | 2 | ALL | | | | X | X | X | |
| | TRIM Nos. 19M, 19N, 19R, 19T(Brown) | | 2815002CJ | 2 | ALL | | | | X | X | X | |
| | TRIM Nos. 10M, 10N, 10R, 10T, 10U, 11M, 11N, 11R, 11T, 12R, 14M, 14R, 16R, 16T, 19M, 19N, 19R, 19T, 21M, 21N, 21R, 21T, 22R, 24R(Flax) | | 2815002CG | 2 | ALL | | | | X | X | X | |
| | SUPPORT and PIVOT ASSY. | LH | 2814463 | 1 | ALL | X | X | X | X | X | X | X |
| | | RH | 2814462 | 1 | ALL | X | X | X | X | X | X | X |
| | SCREW - Sun Visor to Support Pivot Assy. | | 159908 | 2 | ALL | X | X | X | X | X | X | X |
| 10.220 MIRROR PACKAGE - Sun Visor Vanity | | | | | | | | | | | | |
| | MIRROR PACKAGE | | (⁴ 2806512 | 1 | ALL | X | X | X | X | | X | X |
| 10.222 MIRROR PACKAGE - Instrument Panel Compartment Vanity | | | | | | | | | | | | |
| | MIRROR PACKAGE | | 28235991 | | ALL | X | X | X | X | X | X | X |
| | MIRROR ASSEMBLY | | 28235981 | | ALL | X | X | X | X | X | X | X |
| Note: (³ Self skinned moulded type. (⁴ Use on vehicles manufactured prior to Jan. 1972. | | | | | | | | | | | | |

"HQ" PARTS CATALOGUE

| GROUP | DESCRIPTION | SIDE | PART No. | QTY. | BODY STYLE | 801 802 | 803 804 | 808 | 811 812 | 814 | 815 816 | 818 |
|---------------|--|------|----------|------|------------|------------|------------|-----|------------|-----|------------|-----|
| 10.230 | PANEL ASSEMBLY – Instrument | | | | | | | | | | | |
| | PANEL ASSY. – Exc. Taxi | | 2810844 | 1 | ALL | X | X | X | X | X | X | X |
| | PANEL ASSY. – Taxi only | | 2820709 | 1 | 69 | X | X | | | | | |
| | PANEL – Closing – Taxi only | | 2820710 | 1 | 69 | X | X | | | | | |
| | COVER – Centre – Taxi only (Two piece) | | 2820704 | 1 | 69 | X | X | | | | | |
| | COVER – Side – Taxi only (Two piece) | | 2820705 | 1 | 69 | X | X | | | | | |
| | COVER – Taxi only (One piece) | | 9930697 | 1 | 69 | X | X | | | | | |
| 10.252 | COVER – Heater Control Opening | | | | | | | | | | | |
| | COVER – Export only | | 2823823 | 1 | ALL | X | X | | | | | |
| | COVER – Export only | | 2823824 | 1 | ALL | | | X | | | | X |
| | COVER – Export only | | 2823825 | 1 | ALL | | | | X | X | X | |
| | COVER – Dash panel – Export only | | 2812737 | 1 | ALL | X | X | X | X | X | X | X |
| | Note: Required when heater not fitted. | | | | | | | | | | | |
| 10.260 | COMPARTMENT ASSEMBLY – Instrument Panel | | | | | | | | | | | |
| | COMPARTMENT ASSY. | | 2814878 | 1 | ALL | X | X | X | X | X | X | X |
| 10.261 | DOOR ASSEMBLY – Instrument Panel Compartment | | | | | | | | | | | |
| | DOOR ASSY. | | 2811209 | 1 | ALL | X | X | X | X | X | X | X |
| 10.262 | HINGE ASSEMBLY – Instrument Panel Compartment Door | | | | | | | | | | | |
| | HINGE ASSY. | LH | 2811389 | 1 | ALL | X | X | X | X | X | X | X |
| | | RH | 2811388 | 1 | ALL | X | X | X | X | X | X | X |
| | RIVET – Body Half to Door Half | | 7431958 | 2 | ALL | X | X | X | X | X | X | X |
| 10.263 | BUMPER – Instrument Panel Compartment Door | | | | | | | | | | | |
| | BUMPER – 3/8" Head | | 7418993 | 2 | ALL | X | X | X | X | X | X | X |
| | BUMPER | | 2824478 | 2 | ALL | X | X | X | X | X | X | X |
| 10.266 | BARREL ASSEMBLY – Instrument Panel Compartment Door | | | | | | | | | | | |
| | BARREL ASSY. – Coded with keys | | 8786143 | 1 | ALL | X | X | X | X | X | X | X |
| | BARREL ASSY. – Uncoded | | 8786144 | 1 | ALL | X | X | X | X | X | X | X |
| | ESCUTCHEON – Lock Case | | 3922831 | 1 | ALL | X | X | X | X | X | X | X |
| | WASHER – Escutcheon | | 4416740 | 1 | ALL | X | X | X | X | X | X | X |
| | CASE ASSEMBLY | | 3934137 | 1 | ALL | X | X | X | X | X | X | X |
| 10.268 | STRIKER – Instrument Panel Compartment Door Lock | | | | | | | | | | | |
| | STRIKER | | 2811631 | 1 | ALL | X | X | X | X | X | X | X |
| 10.270 | LAMP – Instrument Panel Compartment | | | | | | | | | | | |
| | BODY – Switch | | 2807323 | 1 | ALL | X | X | X | X | X | X | X |
| | SPRING – Switch | | 2807324 | 1 | ALL | X | X | X | X | X | X | X |
| | PLUNGER – Switch | | 2807325 | 1 | ALL | X | X | X | X | X | X | X |
| | LEAD ASSY. | | 2817545 | 1 | ALL | X | X | X | X | X | X | X |
| | SOCKET – Lead | | 7426912 | 1 | ALL | X | X | X | X | X | X | X |
| | BODY – Lamp Socket | | 5297797 | 1 | ALL | X | X | X | X | X | X | X |
| | TERMINAL – Lead | | 2962447 | 1 | ALL | X | X | X | X | X | X | X |
| | CLIP – Lead to Cowl Panel | | 7426417 | 4 | ALL | X | X | X | X | X | X | X |
| | BULB – 12-16V. 2 C.P. | | 9417863 | 1 | ALL | X | X | X | X | X | X | X |
| | LAMP PACKAGE – Acc. | | 2823220 | 1 | ALL | X | X | | | | | |
| 10.307 | GRILLE – Cowl Ventilator | | | | | | | | | | | |
| | GRILLE | | 2811482 | 1 | ALL | X | X | X | X | X | X | X |
| | SCREW – Grille to Front End | | SP1855 | 4 | ALL | X | X | X | X | X | X | X |
| | SCREW – Grille & Lacing to Front End | | SP1855 | 2 | 35, 37, 69 | X | X | X | X | X | X | X |

"HQ" PARTS CATALOGUE

| GROUP | DESCRIPTION | SIDE | PART No. | QTY. | BODY STYLE | 801 802 | 803 804 | 808 | 811 812 | 814 | 815 816 | 818 |
|---|--|------|----------|------|--------------------|------------|------------|-----|------------|-----|------------|-----|
| 10.351 DOOR ASSEMBLY – Front less Trim | | | | | | | | | | | | |
| | DOOR ASSY. – exc. Power Windows, Air Cond. | LH | 2819395 | 1 | 35, 60, 69, 70, 80 | X | X | | | | | |
| | | RH | 2819396 | 1 | 35, 60, 69, 70, 80 | X | X | | | | | |
| | DOOR ASSY. – exc. Power Windows, Air Cond. | LH | 2819397 | 1 | 35, 69 | | | | X | X | X | |
| | | RH | 2819398 | 1 | 35, 69 | | | | X | X | X | |
| | DOOR ASSY. – Power Windows exc. Air Cond. | LH | 2819401 | 1 | 35, 69 | | | | X | X | X | |
| | | RH | 2819402 | 1 | 35, 69 | | | | X | X | X | |
| | DOOR ASSY. – exc. Power Windows, Air Cond. | LH | 2819403 | 1 | 37 | | X | X | | | | X |
| | | RH | 2819404 | 1 | 37 | | X | X | | | | X |
| | DOOR ASSY. – exc. Power Windows, Air Cond. | LH | 2819405 | 1 | 37 | | | | X | | | |
| | | RH | 2819406 | 1 | 37 | | | | X | | | |
| | DOOR ASSY. – Power Windows exc. Air Cond. | LH | 2819407 | 1 | 37 | | | X | X | | | X |
| | | RH | 2819408 | 1 | 37 | | | X | X | | | X |
| 10.373 DOOR ASSEMBLY – Rear less Trim | | | | | | | | | | | | |
| | DOOR ASSY. – exc. Power Windows, Air Cond. | LH | 2819413 | 1 | 35 | X | X | | X | | | |
| | | RH | 2819414 | 1 | 35 | X | X | | X | | | |
| | DOOR ASSY. – Power Windows exc. Air Cond. | LH | 2819419 | 1 | 35 | | | | X | | | |
| | | RH | 2819420 | 1 | 35 | | | | X | | | |
| | DOOR ASSY. – exc. Power Windows, Air Cond. | LH | 2819411 | 1 | 69 | X | X | | X | | | |
| | | RH | 2819412 | 1 | 69 | X | X | | X | | | |
| | DOOR ASSY. – Power Windows exc. Air Cond. | LH | 2819417 | 1 | 69 | | | | X | | | |
| | | RH | 2819418 | 1 | 69 | | | | X | | | |
| | DOOR ASSY. – exc. Power Windows, Air Cond. | LH | 2819415 | 1 | 69 | | | | | X | X | |
| | | RH | 2819416 | 1 | 69 | | | | | X | X | |
| | DOOR ASSY. – Power Windows exc. Air Cond. | LH | 2819421 | 1 | 69 | | | | | X | X | |
| | | RH | 2819422 | 1 | 69 | | | | | X | X | |
| 10.450 HINGE ASSEMBLY – Front Door Upper | | | | | | | | | | | | |
| | HINGE ASSY. | LH | 2812061 | 1 | ALL | X | X | X | X | X | X | X |
| | | RH | 2812060 | 1 | ALL | X | X | X | X | X | X | X |
| | PLATE – Anchor | | 2811167 | 2 | ALL | X | X | X | X | X | X | X |
| | BOLT & WASHER ASSY. | | SP2115 | 12 | ALL | X | X | X | X | X | X | X |
| 10.454 HINGE ASSEMBLY – Front Door Lower | | | | | | | | | | | | |
| | HINGE ASSY. | LH | 2812063 | 1 | ALL | X | X | X | X | X | X | X |
| | | RH | 2812062 | 1 | ALL | X | X | X | X | X | X | X |
| | PLATE – Anchor | | 2811167 | 2 | ALL | X | X | X | X | X | X | X |
| | BOLT & WASHER ASSY. | | SP2115 | 12 | ALL | X | X | X | X | X | X | X |
| 10.456 HINGE ASSEMBLY – Rear Door Upper | | | | | | | | | | | | |
| | HINGE ASSY. | LH | 2812765 | 1 | 35, 69 | X | X | | X | X | X | |
| | | RH | 2812766 | 1 | 35, 69 | X | X | | X | X | X | |
| | PLATE – Anchor | | 2811169 | 2 | 35, 69 | X | X | | X | X | X | |
| | BOLT & WASHER ASSY. | | SP2115 | 12 | 35, 69 | X | X | | X | X | X | |
| 10.460 HINGE ASSEMBLY – Rear Door Lower | | | | | | | | | | | | |
| | HINGE ASSY. | LH | 2812763 | 1 | 35, 69 | X | X | | X | X | X | |
| | | RH | 2812764 | 1 | 35, 69 | X | X | | X | X | X | |
| | PLATE – Anchor | | 2811167 | 2 | 35, 69 | X | X | | X | X | X | |
| | BOLT & WASHER ASSY. | | SP2115 | 12 | 35, 69 | X | X | | X | X | X | |
| 10.466 PIN, BUSHING, ROLLER, LINK, SPRING – Door Hinge | | | | | | | | | | | | |
| | PIN – Front Door Upper & Lower Hinge | | 2819164 | 4 | ALL | X | X | X | X | X | X | X |
| | PIN – Rear Door Upper Hinge | | 2819165 | 2 | 35, 69 | X | X | | X | X | X | |
| | PIN – Rear Door Lower Hinge | | 2819164 | 2 | 35, 69 | X | X | | X | X | X | |
| | BUSH – Front & Rear Door Upper & Lower Hinge | | 4150462 | AR | ALL | X | X | X | X | X | X | X |
| | BUSHING – Front & Rear Door Upper Hinge | | 4110860 | 2-4 | ALL | X | X | X | X | X | X | X |
| | ROLLER – Front Door Upper Hinge Detent | | 9704188 | 2 | ALL | X | X | X | X | X | X | X |
| | PIN – Front Door Upper Hinge Detent Roller | | 9704187 | 2 | ALL | X | X | X | X | X | X | X |
| | LINK – Front Door Upper Hinge Detent | | 9704186 | 2 | ALL | X | X | X | X | X | X | X |

"HQ" PARTS CATALOGUE

| GROUP | DESCRIPTION | SIDE | PART No. | QTY. | BODY STYLE | 801 802 | 803 804 | 808 | 811 812 | 814 | 815 816 | 818 |
|---------------|---|------|----------|------|--------------------|------------|------------|-----|------------|-----|------------|-----|
| 10.466 | PIN, BUSHING, ROLLER, LINK, SPRING – Door Hinge (contd.) | | | | | | | | | | | |
| | RIVET - Front Door Upper Hinge Detent | | 2811601 | 2 | ALL | X | X | X | X | X | X | X |
| | SPRING - Front Door Upper Hinge Detent | | 7432336 | 2 | ALL | X | X | X | X | X | X | X |
| | ROLLER - Rear Door Lower Hinge Detent | | 9704188 | 2 | 35, 69 | X | X | | X | X | X | |
| | PIN - Rear Door Lower Hinge Detent Roller | | 9704187 | 2 | 35, 69 | X | X | | X | X | X | |
| | LINK - Rear Door Lower Hinge Detent | | 9704186 | 2 | 35, 69 | X | X | | X | X | X | |
| | RIVET | | 2811601 | 2 | 35, 69 | X | X | | X | X | X | |
| | SPRING - Rear Door Lower Hinge Detent | | 7432336 | 2 | 35, 69 | X | X | | X | X | X | |
| | PIN - Front Door Hinge Stop | | 2811212 | 2 | ALL | X | X | X | X | X | X | X |
| | PIN - Rear Door Hinge Stop | | 2811212 | 2 | 35, 69 | X | X | | X | X | X | |
| 10.470 | LOCK ASSEMBLY – Front Door | | | | | | | | | | | |
| | LOCK ASSEMBLY | LH | 2812997 | 1 | 35, 60, 69, 70, 80 | X | X | | X | X | X | |
| | | RH | 2812996 | 1 | 35, 60, 69, 70, 80 | X | X | | X | X | X | |
| | LOCK ASSEMBLY | LH | 2814957 | 1 | 37 | | X | X | X | | | X |
| | | RH | 2814956 | 1 | 37 | | X | X | X | | | X |
| | SEAL - Door Lock Dust | LH | 9929619 | 1 | ALL | X | X | X | X | X | X | X |
| | | RH | 9929620 | 1 | ALL | X | X | X | X | X | X | X |
| | SCREW & WASHER - ¼" - 20 x .50" Oval hd. cr. rec. | | SP2350 | 6 | ALL | X | X | X | X | X | X | X |
| 10.473 | LOCK ASSEMBLY – Rear Door | | | | | | | | | | | |
| | LOCK ASSEMBLY | LH | 2812999 | 1 | 35, 69 | X | X | | X | X | X | |
| | | RH | 2812998 | 1 | 35, 69 | X | X | | X | X | X | |
| | SEAL - Door lock dust | LH | 9929619 | 1 | 35, 69 | X | X | | X | X | X | |
| | | RH | 9929620 | 1 | 35, 69 | X | X | | X | X | X | |
| | SCREW & WASHER - ¼" - 20 x .50" Oval hd. cr. rec. | | SP2350 | 6 | 35, 69 | X | X | | X | X | X | |
| 10.475 | SPRING – Door Lock Overcentre | | | | | | | | | | | |
| | SPRING | LH | 2813023 | 2-1 | ALL | X | X | X | X | X | X | X |
| | | RH | 2813022 | 2-1 | ALL | X | X | X | X | X | X | X |
| | SPRING - Actuating lever return | LH | 2813029 | 1-2 | ALL | X | X | X | X | X | X | X |
| | | RH | 2813028 | 1-2 | ALL | X | X | X | X | X | X | X |
| 10.500 | CONTROL ASSEMBLY – Door Lock Remote | | | | | | | | | | | |
| | CONTROL ASSY. - Front Door | LH | 2815487 | 1 | 35, 60, 69, 70, 80 | X | X | | X | X | X | |
| | | RH | 2815486 | 1 | 35, 60, 69, 70, 80 | X | X | | X | X | X | |
| | CONTROL ASSY. | LH | 2816893 | 1 | 37 | | X | X | X | | | X |
| | | RH | 2816894 | 1 | 37 | | X | X | X | | | X |
| | CONTROL ASSY. - Rear Door | LH | 2815487 | 1 | 35, 69 | X | X | | X | X | X | |
| | | RH | 2815486 | 1 | 35, 69 | X | X | | X | X | X | |
| | BOLT & WASHER ASSY. - Hex. hd. ¼ - 20 x ½" | | SP2219 | 6-12 | 35, 60, 69, 70, 80 | X | X | | X | X | X | |
| | BOLT & WASHER ASSY. - Hex. hd. ¼ - 20 x ½" | | SP2219 | 4 | 37 | | X | X | X | | | X |
| 10.506 | ROD – Door Lock Remote Control | | | | | | | | | | | |
| | ROD - Connecting, Front | | 2814467 | 2 | 35, 60, 69, 70, 80 | X | X | | X | X | X | |
| | ROD - Connecting | | 2817456 | 2 | 37 | | X | X | X | | | X |
| | ROD - Connecting, Rear | | 2814695 | 2 | 35, 69 | X | X | | X | X | X | |
| | SILENCER - Rod | | 7408725 | 2 | 37 | | X | X | X | | | X |
| | CLIP - Rod Retaining, Front | | 2811401 | 2 | ALL | X | X | X | X | X | X | X |
| | CLIP - Rod to Lock & Remote Control | | 4576655 | 2-4 | ALL | X | X | X | X | X | X | X |
| | CLIP - Anti-Rattle Rod to Door | | 4110664 | 2 | 37 | | X | X | X | | | X |
| 10.507 | ROD – Door Lock to Lock Cylinder Connector | | | | | | | | | | | |
| | ROD - Front | LH | 2815929 | 1 | 35, 60, 69, 70, 80 | X | X | | X | X | X | |
| | | RH | 2815930 | 1 | 35, 60, 69, 70, 80 | X | X | | X | X | X | |
| | ROD | | 2815956 | 1 | 37 | | X | X | X | | | X |
| | CLIP - Rod to Lock Cylinder | | 4576655 | 2 | ALL | X | X | X | X | X | X | X |
| | CLIP - Rod Retainer | | 2811401 | 2 | ALL | X | X | X | X | X | X | X |

"HQ" PARTS CATALOGUE

| GROUP | DESCRIPTION | SIDE | PART No. | QTY. | BODY STYLE | 801 802 | 803 804 | 808 | 811 812 | 814 | 815 816 | 818 |
|--|--|------|----------|------|--------------------|------------|------------|-----|------------|-----|------------|-----|
| 10.512 HANDLE – Door Remote Control | | | | | | | | | | | | |
| | HANDLE – Front | | 7435242 | 2 | ALL | X | | | | | | |
| | HANDLE – Front | LH | 2817043 | 1 | ALL | | X | X | X | X | X | X |
| | | RH | 2817044 | 1 | ALL | | X | X | X | X | X | X |
| | HANDLE – Rear (without Arm Rests) | | 7435242 | 2 | 35, 69 | X | X | | X | | | |
| | HANDLE – Rear (with Arm Rests) | LH | 2817043 | 1 | 35, 69 | | X | | X | X | X | |
| | | RH | 2817044 | 1 | 35, 69 | | X | | X | X | X | |
| 10.513 SPRING – Door Handle | | | | | | | | | | | | |
| | SPRING – Handle Retainer, Front | | 4168122 | 2 | ALL | X | | | | | | |
| | SPRING – Handle Retainer, Rear (without Arm Rests) | | 4168122 | 2 | 35, 69 | X | X | | X | | | |
| 10.515 PLATE – Inside Door Handle Bearing | | | | | | | | | | | | |
| | PLATE – Front | | 7731353 | 8-4 | ALL | X | | | | | | |
| | PLATE – Rear (without Arm Rests) | | 7731353 | 8-4 | 35, 69 | X | X | | X | | | |
| 10.516 GASKET, SPRING – Door Remote Control | | | | | | | | | | | | |
| | GASKET | | 2815681 | 2-4 | ALL | X | X | X | X | X | X | X |
| | SPRING – Front | | 7416898 | 2 | ALL | X | | | | | | |
| | SPRING – Rear (without Arm Rests) | | 7416898 | 2 | 35, 69 | X | X | | X | | | |
| 10.527 HANDLE – Door Outside | | | | | | | | | | | | |
| | HANDLE | | 2814620 | 2-4 | ALL | X | X | X | X | X | X | X |
| 10.529 ROD, CLIP – Door Outside Handle | | | | | | | | | | | | |
| | ROD – Front Handle to Lock Connector | | 2815265 | 2 | 35, 60, 69, 70, 80 | X | X | | X | X | X | |
| | ROD – Handle to Lock Connector | LH | 2817453 | 1 | 37 | | X | X | X | | | X |
| | | RH | 2817452 | 1 | 37 | | X | X | X | | | X |
| | ROD – Rear Handle to Lock Connector | | 2815266 | 2 | 35, 69 | X | X | | X | X | X | |
| | CLIP – Handle to Lock Connector Rod | LH | 2806911 | 1-2 | ALL | X | X | X | X | X | X | X |
| | | RH | 2806912 | 1-2 | ALL | X | X | X | X | X | X | X |
| | NUT – Rod Adjusting | | 2806603 | 2-4 | ALL | X | X | X | X | X | X | X |
| 10.538 GASKET – Door Outside Handle | | | | | | | | | | | | |
| | GASKET | | 2814686 | 4-8 | ALL | X | X | X | X | X | X | X |
| 10.550 BARREL ASSEMBLY – Door Locking | | | | | | | | | | | | |
| | BARREL ASSY. – With Keys | LH | 2816531 | 1 | ALL | X | X | X | X | X | X | X |
| | | RH | 2816532 | 1 | ALL | X | X | X | X | X | X | X |
| | SERVICE PACKAGE – Uncoded | | M37124 | 2 | ALL | X | X | X | X | X | X | X |
| | TUMBLER – No. 1 (Package of 100) | | 3901061 | AR | ALL | X | X | X | X | X | X | X |
| | TUMBLER – No. 2 (Package of 100) | | 3901062 | AR | ALL | X | X | X | X | X | X | X |
| | TUMBLER – No. 3 (Package of 100) | | 3901063 | AR | ALL | X | X | X | X | X | X | X |
| | TUMBLER – No. 4 (Package of 100) | | 3901064 | AR | ALL | X | X | X | X | X | X | X |
| | TUMBLER – No. 5 (Package of 100) | | 3901065 | AR | ALL | X | X | X | X | X | X | X |
| | GASKET – Door Lock Cylinder | | 4587931 | 2 | ALL | X | X | X | X | X | X | X |
| | PAWL | | 2815914 | 2 | ALL | X | X | X | X | X | X | X |
| | CLIP – Pawl Retaining | | 7006092 | 2 | ALL | X | X | X | X | X | X | X |
| 10.553 RETAINER – Door Locking Barrel | | | | | | | | | | | | |
| | RETAINER | | 4884405 | 2 | ALL | X | X | X | X | X | X | X |

"HQ" PARTS CATALOGUE

| GROUP | DESCRIPTION | SIDE | PART No. | QTY. | BODY STYLE | 801 802 | 803 804 | 808 | 811 812 | 814 | 815 816 | 818 |
|--|---|------|----------|------|--------------------|------------|------------|-----|------------|-----|------------|-----|
| 10.556 LEVER & ROD CONNECTING – Door Inside Locking | | | | | | | | | | | | |
| | ROD | | 2816984 | 2 | 37 | | X | X | X | | | X |
| | CLIP – Rod to Lever | | 4576655 | 2 | 37 | | X | X | X | | | X |
| | LEVER | | 7403873 | 2 | 37 | | X | X | X | | | X |
| | BOLT – Locking Lever | | 7419196 | 2 | 37 | | X | X | X | | | X |
| | ROD – Rear Door | | 2814694 | 2 | 35, 69 | X | X | | X | X | X | |
| | CLIP – Anti-Rattle (Centre) | | 4110664 | 2 | 35, 69 | X | X | | X | X | X | |
| | CLIP – Rod to Lever | | 4576655 | 2 | 35, 69 | X | X | | X | X | X | |
| | LEVER | | 7403873 | 2 | 35, 69 | X | X | | X | X | X | |
| | BOLT – Locking Lever | | 7419196 | 2 | 35, 69 | X | X | | X | X | X | |
| 10.559 KNOB – Door Inside Locking Rod | | | | | | | | | | | | |
| | KNOB – Front | | 7434562 | 2 | ALL | X | X | | | | | |
| | KNOB – Front | | 7434563 | 2 | ALL | | | X | X | X | X | X |
| | KNOB – Rear | | 7434562 | 2 | 35, 69 | X | X | | | | | |
| | KNOB – Rear | | 7434563 | 2 | 35, 69 | | | | X | X | X | |
| | FERRULE | | 4839529 | 2-4 | ALL | X | X | X | X | X | X | X |
| 10.563 ROD – Door Inside Locking | | | | | | | | | | | | |
| | ROD – Front | LH | 2818413 | 1 | 35, 60, 69, 70, 80 | X | X | | X | X | X | |
| | | RH | 2818414 | 1 | 35, 60, 69, 70, 80 | X | X | | X | X | X | |
| | ROD | | 2816798 | 2 | 37 | | X | X | X | | | X |
| | CLIP – Rod to Lever | | 2825090 | 2 | 37 | | X | X | X | | | X |
| | ROD – Rear | | 2814574 | 2 | 35, 69 | X | X | | X | X | X | |
| | CLIP | | 2825090 | 2 | 35, 69 | X | X | | X | X | X | |
| 10.569 STRIKER ASSEMBLY – Door Lock | | | | | | | | | | | | |
| | STRIKER ASSY. | | 2824245 | 2-4 | ALL | X | X | X | X | X | X | X |
| 10.571 PLATE, SPACER – Door Lock Striker | | | | | | | | | | | | |
| | PLATE – Anchor | | 4465224 | 2-4 | ALL | X | X | X | X | X | X | X |
| | RETAINER – Plate Front Door | | 2811165 | 2 | 35, 69 | X | X | | X | X | X | |
| | SPACER – 1/16" thick | | 4469196 | AR | ALL | X | X | X | X | X | X | X |
| | SPACER – 3/32" thick | | 4469197 | AR | ALL | X | X | X | X | X | X | X |
| 10.587 BUMPER – Door Pillar | | | | | | | | | | | | |
| | BUMPER | | 2809447 | 2-4 | ALL | X | X | X | X | X | X | X |
| 10.681 GLASS – Front Door | | | | | | | | | | | | |
| | GLASS – exc. Air Cond. | LH | 2813089 | 1 | 35, 60, 69, 70, 80 | X | X | | X | X | X | |
| | | RH | 2813088 | 1 | 35, 60, 69, 70, 80 | X | X | | X | X | X | |
| | GLASS – Air Cond. | LH | 2822495 | 1 | 35, 60, 69, 70, 80 | X | X | | X | X | X | |
| | | RH | 2822496 | 1 | 35, 60, 69, 70, 80 | X | X | | X | X | X | |
| | GLASS – exc. Air Cond. | LH | 2817227 | 1 | 37 | | X | X | X | | | X |
| | | RH | 2817228 | 1 | 37 | | X | X | X | | | X |
| | GLASS – Air Cond. | LH | 2822497 | 1 | 37 | | X | X | X | | | X |
| | | RH | 2822498 | 1 | 37 | | X | X | X | | | X |
| 10.685 CHANNEL ASSEMBLY, PLATE ASSEMBLY – Front Door Glass Lifter | | | | | | | | | | | | |
| | CHANNEL ASSY. | LH | 2814039 | 1 | 35, 60, 69, 70, 80 | X | X | | X | X | X | |
| | | RH | 2814038 | 1 | 35, 60, 69, 70, 80 | X | X | | X | X | X | |
| | PLATE ASSY. – Lower Sash Front | LH | 2817257 | 1 | 37 | | X | X | X | | | X |
| | | RH | 2817256 | 1 | 37 | | X | X | X | | | X |
| | BOLT – Lower Front Sash Plate to Glass | | SP2064 | 4 | 37 | | X | X | X | | | X |
| | WASHER – Lower Front Sash Plate to Glass | | 7436316 | 4 | 37 | | X | X | X | | | X |
| | BUSHING – Lower Front Sash Plate to Glass | | 4491087 | 4 | 37 | | X | X | X | | | X |
| | NUT – Lower Front Sash Plate to Glass Tee | | 4491088 | 4 | 37 | | X | X | X | | | X |
| | PLATE ASSY. – Lower Sash Rear | LH | 2817151 | 1 | 37 | | X | X | X | | | X |
| | | RH | 2817150 | 1 | 37 | | X | X | X | | | X |

"HQ" PARTS CATALOGUE

| GROUP | DESCRIPTION | SIDE | PART No. | QTY. | BODY STYLE | 801 802 | 803 804 | 808 | 811 812 | 814 | 815 816 | 818 |
|---|---|------|----------|------|--------------------|------------|------------|-----|------------|-----|------------|-----|
| 10.685 CHANNEL ASSEMBLY, PLATE ASSEMBLY – Front Door Glass Lifter (contd.) | | | | | | | | | | | | |
| | BOLT - Lower Rear Sash Plate to Glass | | SP2064 | 6 | 37 | | X | X | X | | | X |
| | WASHER - Lower Rear Sash Plate to Glass | | 7436316 | 6 | 37 | | X | X | X | | | X |
| | BUSHING - Lower Rear Sash Plate to Glass | | 4491087 | 6 | 37 | | X | X | X | | | X |
| | NUT - Lower Rear Sash Plate to Glass Tee | | 4491088 | 6 | 37 | | X | X | X | | | X |
| | FASTENER - Door Glass Bearing | | 7698786 | 4 | 37 | | X | X | X | | | X |
| | CAP - Bearing Fastener | | 8737225 | 4 | 37 | | X | X | X | | | X |
| 10.694 WEATHERSTRIP – Door Opening | | | | | | | | | | | | |
| | WEATHERSTRIP - Front | LH | 2823805 | 1 | Exc. 37 | X | X | | X | X | X | |
| | | RH | 2823806 | 1 | Exc. 37 | X | X | | X | X | X | |
| | WEATHERSTRIP | LH | 2817119 | 1 | 37 | | X | X | X | | | X |
| | | RH | 2817118 | 1 | 37 | | X | X | X | | | X |
| | RETAINER - Weatherstrip to Door | | SP1710 | 10 | 37 | | X | X | X | | | X |
| | WEATHERSTRIP - Rear | | 2815779 | 2 | 35 | X | X | | X | | | |
| | WEATHERSTRIP - Rear | | 2815632 | 2 | 69 | X | X | | X | | | |
| | WEATHERSTRIP - Rear | | 2816257 | 2 | 69 | | | | | X | X | |
| 10.695 PLUG – Door Weatherstrip | | | | | | | | | | | | |
| | PLUG - Weatherstrip attaching Sealing, Front Door | | 4770719 | 38 | 35, 60, 69, 70, 80 | X | X | | X | X | X | |
| | PLUG - Weatherstrip attaching Sealing | | 4770719 | 42 | 37 | | X | X | X | | | X |
| | PLUG - Weatherstrip attaching Sealing, Rear Door | | 4770719 | 34 | 35, 69 | X | X | | X | X | X | |
| 10.696 WEATHERSTRIP – Door Glass Channel Lifter | | | | | | | | | | | | |
| | WEATHERSTRIP - Front | | 2812792 | 2 | 35, 60, 69, 70, 80 | X | X | | X | X | X | |
| | WEATHERSTRIP - Rear | | 2812793 | 2 | 35, 69 | X | X | | X | X | X | |
| 10.701 CHANNEL, RETAINER – Front Door Glass | | | | | | | | | | | | |
| | CHANNEL - Glass Run | | 2812287 | 2 | 35, 60, 69, 70, 80 | X | X | | X | X | X | |
| | RETAINER - Channel Rear | LH | 2812987 | 1 | 35, 60, 69, 70, 80 | X | X | | X | X | X | |
| | | RH | 2812988 | 1 | 35, 60, 69, 70, 80 | X | X | | X | X | X | |
| 10.702 CAM ASSEMBLY – Front Door Window Guide | | | | | | | | | | | | |
| | CAM ASSY. | LH | 2814885 | 1 | 35, 60, 69, 70, 80 | X | X | | X | X | X | |
| | | RH | 2814886 | 1 | 35, 60, 69, 70, 80 | X | X | | X | X | X | |
| | STUD - Cam to Door | | 7433032 | 2 | 35, 60, 69, 70, 80 | X | X | | X | X | X | |
| | NUT - Washer Type 1/4" - 20 | | SP1991 | 2 | 35, 60, 69, 70, 80 | X | X | | X | X | X | |
| | BOLT & WASHER ASSY. | | SP2219 | 4 | 35, 60, 69, 70, 80 | X | X | | X | X | X | |
| | GUIDE - Upper | | 2822338 | 2 | 35, 60, 69, 70, 80 | X | X | | X | X | X | |
| | RIVET - Guide to Door | | SP2316 | 4 | 35, 60, 69, 70, 80 | X | X | | X | X | X | |
| | CAM ASSY. - Front | LH | 2817121 | 1 | 37 | | X | X | X | | | X |
| | | RH | 2817120 | 1 | 37 | | X | X | X | | | X |
| | CAM ASSY. - Rear | LH | 2817123 | 1 | 37 | | X | X | X | | | X |
| | | RH | 2817122 | 1 | 37 | | X | X | X | | | X |
| | STUD - Cam to Door | | 7436867 | 4 | 37 | | X | X | X | | | X |
| | NUT - Washer Type 1/4" - 20 | | SP1991 | 4 | 37 | | X | X | X | | | X |
| | BOLT & WASHER ASSY. | | SP2219 | 8 | 37 | | X | X | X | | | X |
| 10.702 CAM ASSEMBLY – Rear Door Window Guide | | | | | | | | | | | | |
| | CAM ASSY. | LH | 2815069 | 1 | 35, 69 | X | X | | X | X | X | |
| | | RH | 2815068 | 1 | 35, 69 | X | X | | X | X | X | |
| | STUD - Cam to Door | | 7433032 | 2 | 35, 69 | X | X | | X | X | X | |
| | NUT - Washer Type 1/4" - 20 | | SP1991 | 2 | 35, 69 | X | X | | X | X | X | |
| | BOLT & WASHER ASSY. | | SP2219 | 4 | 35, 69 | X | X | | X | X | X | |

BODY

"HQ" PARTS CATALOGUE

| GROUP | DESCRIPTION | SIDE | PART No. | QTY. | BODY STYLE | 801 802 | 803 804 | 808 | 811 812 | 814 | 815 816 | 818 |
|--|---|------|----------|------|--------------------|------------|------------|-----|------------|-----|------------|-----|
| 10.710 WEATHERSTRIP – Door Belt | | | | | | | | | | | | |
| | WEATHERSTRIP – Front Door Inner | LH | 2815049 | -1 | 35, 60, 69, 70, 80 | X | X | | X | X | X | |
| | | RH | 2815050 | 1 | 35, 60, 69, 70, 80 | X | X | | X | X | X | |
| | WEATHERSTRIP – Front Door Outer | LH | 2815213 | 1 | 35, 60, 69, 70, 80 | X | X | | X | X | X | |
| | | RH | 2815212 | 1 | 35, 60, 69, 70, 80 | X | X | | X | X | X | |
| | WEATHERSTRIP – Inner | | 2816171 | 2 | 37 | | X | X | X | | | X |
| | WEATHERSTRIP – Outer | LH | 2817247 | 1 | 37 | | X | X | X | | | X |
| | | RH | 2817246 | 1 | 37 | | X | X | X | | | X |
| | WEATHERSTRIP – Rear Door Inner | LH | 2815015 | 1 | 35, 69 | X | X | | X | X | X | |
| | | RH | 2815014 | 1 | 35, 69 | X | X | | X | X | X | |
| | WEATHERSTRIP – Rear Door Outer | LH | 2815093 | 1 | 35, 69 | X | X | | X | X | X | |
| | | RH | 2815094 | 1 | 35, 69 | X | X | | X | X | X | |
| | STRIP ASSY. – Door Glass Anti-Rattle | | 2816461 | 4 | 37 | | X | X | X | | | X |
| | BOLT & WASHER ASSY. | | SP2219 | 4 | 37 | | X | X | X | | | X |
| 10.712 CLIP – Door Belt Weatherstrip | | | | | | | | | | | | |
| | CLIP – Front | | 4561802 | 16 | 35, 60, 69, 70, 80 | X | X | | X | X | X | |
| | CLIP – Rear | | 4561802 | 12 | 35, 69 | X | X | | X | X | X | |
| 10.716 BUMPER, PLATE, STOP – Front Door Glass | | | | | | | | | | | | |
| | BUMPER | | 2816365 | 4 | 37 | | X | X | X | | | X |
| | PLATE – Guide | | 2816505 | 4 | 37 | | X | X | X | | | X |
| | STOP – Upper | | 2816549 | 4 | 37 | | X | X | X | | | X |
| 10.741 GLASS – Rear Door | | | | | | | | | | | | |
| | GLASS – exc. Air Cond. | LH | 2812669 | 1 | 35 | X | X | | X | | | |
| | | RH | 2812668 | 1 | 35 | X | X | | X | | | |
| | GLASS – Air Cond. | LH | 2822505 | 1 | 35 | X | X | | X | | | |
| | | RH | 2822504 | 1 | 35 | X | X | | X | | | |
| | GLASS – exc. Air Cond. | LH | 2812207 | 1 | 69 | X | X | | X | | | |
| | | RH | 2812208 | 1 | 69 | X | X | | X | | | |
| | GLASS – Air Cond. | LH | 2822501 | 1 | 69 | X | X | | X | | | |
| | | RH | 2822500 | 1 | 69 | X | X | | X | | | |
| | GLASS – exc. Air Cond. | LH | 2812667 | 1 | 69 | | | | | X | X | |
| | | RH | 2812666 | 1 | 69 | | | | | X | X | |
| | GLASS – Air Cond. | LH | 2822503 | 1 | 69 | | | | | X | X | |
| | | RH | 2822502 | 1 | 69 | | | | | X | X | |
| 10.747 CHANNEL ASSEMBLY – Rear Door Glass Lifter | | | | | | | | | | | | |
| | CHANNEL ASSY. | LH | 2813619 | 1 | 35, 69 | X | X | | X | X | X | |
| | | RH | 2813618 | 1 | 35, 69 | X | X | | X | X | X | |
| 10.750 CHANNEL – Rear Door Glass | | | | | | | | | | | | |
| | CHANNEL – Glass Run, Front | | 2812530 | 2 | 35, 69 | X | X | | X | X | X | |
| | CHANNEL – Glass Run, Rear | | 2812529 | 2 | 35, 69 | X | X | | X | X | X | |
| 10.777 HARNESS ASSEMBLY – Front Door Power Operated Windows | | | | | | | | | | | | |
| | HARNESS ASSY. | LH | 2817523 | 1 | ALL | | | X | X | X | X | X |
| | | RH | 2817524 | 1 | ALL | | | X | X | X | X | X |
| | BODY – Single Connector | | 2962448 | 1 | ALL | | | X | X | X | X | X |
| | BODY – Female Terminal Connector | | 6288909 | 2 | ALL | | | X | X | X | X | X |
| | BODY – Terminal Connector, three-way Male | RH | 2973172 | 2 | ALL | | | X | X | X | X | X |
| | BODY – Panel Connector Double | RH | 2962551 | 1 | ALL | | | X | X | X | X | X |
| | BODY – Terminal Connector, two-way | | 2962964 | 1 | ALL | | | X | X | X | X | X |
| | BODY – Terminal Connector, three-way Female | | 2962449 | 2 | ALL | | | X | X | X | X | X |
| | BODY ASSY. – Harness Connector | RH | 2819015 | 1 | ALL | | | X | X | X | X | X |
| | BODY – Male Connector, Front Door Harness to Rear Door Harness | | 2962984 | 1 | ALL | X | X | X | X | X | X | X |
| | CONNECTOR BODY & COVER – Harness | LH | 2977470 | 1 | ALL | | | X | X | X | X | X |
| | NUT – Connector Body to 4 Button Switch | | 8799792 | 1 | ALL | | | X | X | X | X | X |
| | CLIP – Harness to RH & LH Door Panel (Plastic) | | 7432906 | 4 | ALL | | | X | X | X | X | X |

"HQ" PARTS CATALOGUE

| GROUP | DESCRIPTION | SIDE | PART No. | QTY. | BODY STYLE | 801 802 | 803 804 | 808 | 811 812 | 814 | 815 816 | 818 |
|---|---|------|----------|------|--------------------|------------|------------|-----|------------|-----|------------|-----|
| 10.777 HARNESS ASSEMBLY – Front Door Power Operated Windows (contd.) | | | | | | | | | | | | |
| | CLIP - Harness to Door (Special) | | 7413032 | 2 | ALL | | | X | X | X | X | X |
| | SLEEVE - Harness | | 2815949 | 2 | ALL | | | X | X | X | X | X |
| | SEAL - Sleeve Dust | | 2817555 | 2 | ALL | | | X | X | X | X | X |
| | SEAL - Harness | | 2817385 | 2 | ALL | | | X | X | X | X | X |
| | SWITCH ASSY. - One Button | | 9825442 | 1 | ALL | | | X | X | X | X | X |
| | SWITCH ASSY. - Four Button | | 9825443 | 1 | ALL | | | X | X | X | X | X |
| | CLIP - Switch | | 9722397 | 6-2 | ALL | X | X | X | X | X | X | X |
| | REINFORCEMENT - One Button Switch | | 8799901 | 1 | ALL | | | X | X | X | X | X |
| | REINFORCEMENT - Four Button Switch | | 9826809 | 1 | ALL | | | X | X | X | X | X |
| 10.777 HARNESS ASSEMBLY – Rear Door Power Operated Windows | | | | | | | | | | | | |
| | HARNESS ASSY. | LH | 2817529 | 1 | 35, 69 | | | | X | X | X | |
| | | RH | 2817528 | 1 | 35, 69 | | | | X | X | X | |
| | BODY - Single Connector | | 2962448 | 1 | 35, 69 | | | | X | X | X | |
| | BODY - Female Terminal Connector | | 6288909 | 2 | 35, 69 | | | | X | X | X | |
| | CONNECTOR BODY & COVER ASSY. | | 2977470 | 2 | 35, 69 | | | | X | X | X | |
| | CLIP - Special Control Harness to Door | | 7413032 | 4 | 35, 69 | | | | X | X | X | |
| | CLIP - Harness to Door | | 7418449 | 4 | 35, 69 | | | | X | X | X | |
| | SLEEVE - Harness | | 2815949 | 2 | 35, 69 | | | | X | X | X | |
| | SEAL - Sleeve Dust | | 2817555 | 2 | 35, 69 | | | | X | X | X | |
| | SWITCH ASSY. | | 9825442 | 2 | 35, 69 | | | | X | X | X | |
| | REINFORCEMENT - Switch | | 8799901 | 2 | 35, 69 | | | | X | X | X | |
| | SEAL - Switch Dust | | 7436318 | 2 | 35, 69 | | | | X | X | X | |
| 10.777 HARNESS ASSEMBLY – Rear Quarter Windows | | | | | | | | | | | | |
| | HARNESS ASSY. | LH | 2817525 | 1 | 37 | | | X | X | | | X |
| | | RH | 2817530 | 1 | 37 | | | X | X | | | X |
| | BODY - Female Terminal Conn. | | 6288909 | 2 | 37 | | | X | X | | | X |
| | CONNECTOR BODY & COVER ASSY. | | 2977470 | 2 | 37 | | | X | X | | | X |
| | CLIP - Special | | 7413032 | 2 | 37 | | | X | X | | | X |
| | SEAL - Harness | | 2817385 | 2 | 37 | | | X | X | | | X |
| | SWITCH ASSY. | | 9825442 | 2 | 37 | | | X | X | | | X |
| | REINFORCEMENT - Switch | | 8799901 | 2 | 37 | | | X | X | | | X |
| 10.777 RELAY, CIRCUIT BREAKER – Power Operated Windows | | | | | | | | | | | | |
| | RELAY | | 2818403 | 1 | ALL | | | X | X | X | X | X |
| | BREAKER - Circuit | | 1476675 | 1 | ALL | | | X | X | X | X | X |
| | CLIP - Harness to Shroud Panel | | SP2201 | 6 | ALL | | | X | X | X | X | X |
| | BODY - Relay to Fuse Panel Lead | | 2962448 | 2 | ALL | | | X | X | X | X | X |
| | LEAD ASSY. - Relay to Fuse Panel | | 2817475 | 1 | 35, 37, 69 | | | X | X | X | X | X |
| | LEAD ASSY. - Relay to Fuse Panel, End Gate Window | | 2817475 | 1 | 35 | | X | | X | | | |
| | LEAD ASSY. - Control to Fuse Panel | | 2817474 | 1 | 35, 37, 69 | | | X | X | X | X | X |
| | LEAD ASSY. - Control to Fuse Panel, End Gate Window | | 2817474 | 1 | 35 | | X | | X | | | |
| 10.783 REGULATOR ASSEMBLY – Front Door Window | | | | | | | | | | | | |
| | REGULATOR ASSY. - exc Power Windows | LH | 2813853 | 1 | 35, 60, 69, 70, 80 | X | X | | X | X | X | |
| | | RH | 2813854 | 1 | 35, 60, 69, 70, 80 | X | X | | X | X | X | |
| | REGULATOR ASSY. - Power Windows | LH | 2815833 | 1 | 35, 69 | | | | X | X | X | |
| | | RH | 2815832 | 1 | 35, 69 | | | | X | X | X | |
| | REGULATOR ASSY. - exc. Power Windows | LH | 2817401 | 1 | 37 | | X | X | X | | | X |
| | | RH | 2817402 | 1 | 37 | | X | X | X | | | X |
| | REGULATOR ASSY. - Power Windows | LH | 2817467 | 1 | 37 | | | X | X | | | X |
| | | RH | 2817468 | 1 | 37 | | | X | X | | | X |
| | BOLT & WASHER ASSY. - Hex. hd. 1/4 - 20 x .5" | | SP2219 | AR | ALL | X | X | X | X | X | X | X |
| | ROLLER | | 4158245 | 4 | ALL | X | X | X | X | X | X | X |
| | PIN | | 4158246 | 4 | ALL | X | X | X | X | X | X | X |
| | SPRING - Clutch exc. Power Windows | | 4157887 | 2 | ALL | X | X | X | X | X | X | X |
| | WASHER - Anti-Rattle exc. Power Windows | | 4171918 | 2 | ALL | X | X | X | X | X | X | X |
| | SPRING - Counter Balance | | 63737 | 2 | 35, 60, 69, 70, 80 | X | X | | X | X | X | |
| | SPRING - Counter Balance | | 9703972 | 2 | 37 | | X | X | X | | | X |

"HQ" PARTS CATALOGUE

| GROUP | DESCRIPTION | SIDE | PART No. | QTY. | BODY STYLE | 801 | 803 | 808 | 811 | 814 | 815 | 818 |
|--|---|------|----------|------|--------------------|-----|-----|-----|-----|-----|-----|-----|
| | | | | | | 802 | 804 | | 812 | | 816 | |
| 10.783 REGULATOR ASSEMBLY – Front Door Window (contd.) | | | | | | | | | | | | |
| | WASHER – Rubber exc. Power Windows | | 7413223 | 2 | ALL | X | X | X | X | X | X | X |
| | CAM ASSY. – Sliding | | 7432423 | 2 | 35, 60, 69, 70, 80 | X | X | | X | X | X | |
| | CAM ASSY. – Sliding | | 2816372 | 2 | 37 | | X | X | X | | | X |
| | BOLT & WASHER ASSY. – Hex. hd. ¼ – 20 x .5" | | SP2219 | AR | ALL | X | X | X | X | X | X | X |
| | WASHER | | 7429571 | 2 | ALL | X | X | X | X | X | X | X |
| 10.784 MOTOR ASSEMBLY – Front Door Windows (Power Operated Windows) | | | | | | | | | | | | |
| | MOTOR ASSY. – Slow Winder | LH | 5045594 | 1 | ALL | | | X | X | X | X | X |
| | | RH | 5045593 | 1 | ALL | | | X | X | X | X | X |
| | MOTOR ASSY. – Fast Winder | LH | 5045586 | 1 | 37 | | | X | X | | | X |
| | | RH | 5045585 | 1 | 37 | | | X | X | | | X |
| | ARMATURE ASSY. | | 4909699 | 2 | ALL | | | X | X | X | X | X |
| | PINION PACKAGE | | 4919192 | 2 | ALL | | | X | X | X | X | X |
| | BRUSH HOLDER & CIRCUIT BREAKER ASSY. | | 4917191 | 2 | ALL | | | X | X | X | X | X |
| | BRUSH | | 4918916 | 2 | ALL | | | X | X | X | X | X |
| | SPRING – Brush | | 4904213 | 2 | ALL | | | X | X | X | X | X |
| | RING – Sealing | | 4916378 | 2 | ALL | | | X | X | X | X | X |
| | SCREW – Adjusting | | 4917377 | 2 | ALL | | | X | X | X | X | X |
| | BOLT – Tie | | 4916380 | 4 | ALL | | | X | X | X | X | X |
| | PLUG – Thrust | | 5098080 | 2 | ALL | | | X | X | X | X | X |
| 10.791 REGULATOR ASSEMBLY – Rear Door Window | | | | | | | | | | | | |
| | REGULATOR ASSY. – exc. Power Windows | LH | 2813913 | 1 | 35, 69 | X | X | | X | X | X | |
| | | RH | 2813912 | 1 | 35, 69 | X | X | | X | X | X | |
| | REGULATOR ASSY. – Power Windows | LH | 2815835 | 1 | 35, 69 | | | | X | X | X | |
| | | RH | 2815834 | 1 | 35, 69 | | | | X | X | X | |
| | BOLT & WASHER ASSY. – Hex. hd. ¼ – 20 x .5" | | SP2219 | AR | 35, 69 | X | X | | X | X | X | |
| | ROLLER | | 4158245 | 4 | 35, 69 | X | X | | X | X | X | |
| | PIN | | 4158246 | 4 | 35, 69 | X | X | | X | X | X | |
| | SPRING – Clutch exc. Power Windows | | 4157887 | 2 | 35, 69 | X | X | | X | X | X | |
| | WASHER – Anti-Rattle exc. Power Windows | | 4171918 | 2 | 35, 69 | X | X | | X | X | X | |
| | SPRING – Counter Balance | | 63737 | 2 | 35, 69 | X | X | | X | X | X | |
| | WASHER – Rubber exc. Power Windows | | 7413223 | 2 | 35, 69 | X | X | | X | X | X | |
| | CAM ASSY. – Sliding | | 7436043 | 2 | 35, 69 | X | X | | X | X | X | |
| | BOLT & WASHER ASSY. – Hex. hd. ¼ – 20 x .5" | | SP2219 | AR | 35, 69 | X | X | | X | X | X | |
| | WASHER | | 7429571 | 2 | 35, 69 | X | X | | X | X | X | |
| 10.792 MOTOR ASSEMBLY – Rear Door Windows (Power Operated Windows) | | | | | | | | | | | | |
| | MOTOR ASSY. | LH | 5045594 | 1 | 35, 69 | | | | X | X | X | |
| | | RH | 5045593 | 1 | 35, 69 | | | | X | X | X | |
| | ARMATURE ASSY. | | 4909699 | 2 | 35, 69 | | | | X | X | X | |
| | PINION PACKAGE | | 4919192 | 2 | 35, 69 | | | | X | X | X | |
| | BRUSH HOLDER & CIRCUIT BREAKER ASSY. | | 4917191 | 2 | 35, 89 | | | | X | X | X | |
| | BRUSH | | 4918916 | 2 | 35, 89 | | | | X | X | X | |
| | SPRING – Brush | | 4904213 | 2 | 35, 69 | | | | X | X | X | |
| | RING – Sealing | | 4916378 | 2 | 35, 69 | | | | X | X | X | |
| | SCREW – Adjusting | | 4917377 | 2 | 35, 69 | | | | X | X | X | |
| | BOLT – Tie | | 4916380 | 4 | 35, 69 | | | | X | X | X | |
| | PLUG – Thrust | | 5098080 | 2 | 35, 69 | | | | X | X | X | |
| 10.797 HANDLE ASSEMBLY – Door Window Regulator (exc. Power Windows) | | | | | | | | | | | | |
| | HANDLE ASSY. | | 7435027 | 4-2 | ALL | X | X | X | X | X | X | X |
| | SPRING – Handle Retainer | | 4168122 | 4-2 | ALL | X | X | X | X | X | X | X |
| | PLATE – Handle Bearing | | 7731353 | 4-2 | ALL | X | X | X | X | X | X | X |
| 10.806 SPRING – Window Regulator Handle Escutcheon | | | | | | | | | | | | |
| | SPRING – exc. Power Windows | | 4566746 | 4-2 | ALL | X | X | X | X | X | X | X |

"HQ" PARTS CATALOGUE

| GROUP | DESCRIPTION | SIDE | PART No. | QTY. | BODY STYLE | 801 802 | 803 804 | 808 | 811 812 | 814 | 815 816 | 818 |
|---|---|------|----------|------|------------|------------|------------|-----|------------|-----|------------|-----|
| 10.822 WEATHERSTRIP – Rear Door Rear Glass | | | | | | | | | | | | |
| | WEATHERSTRIP | | 2814382 | 2 | 35 | X | X | | X | | | |
| | WEATHERSTRIP | | 2814381 | 2 | 69 | X | X | | X | | | |
| | WEATHERSTRIP | | 2814383 | 2 | 69 | | | | | X | X | |
| 10.827 GLASS – Rear Door Rear | | | | | | | | | | | | |
| | GLASS – exc. Air Cond. | LH | 2813769 | 1 | 35 | X | X | | X | | | |
| | | RH | 2813770 | 1 | 35 | X | X | | X | | | |
| | GLASS – Air Cond. | LH | 2822517 | 1 | 35 | X | X | | X | | | |
| | | RH | 2822518 | 1 | 35 | X | X | | X | | | |
| | GLASS – exc. Air Cond. | LH | 2813767 | 1 | 69 | X | X | | X | | | |
| | | RH | 2813768 | 1 | 69 | X | X | | X | | | |
| | GLASS – Air Cond. | LH | 2822513 | 1 | 69 | X | X | | X | | | |
| | | RH | 2822514 | 1 | 69 | X | X | | X | | | |
| | GLASS – exc. Air Cond. | LH | 2813771 | 1 | 69 | | | | | X | X | |
| | | RH | 2813772 | 1 | 69 | | | | | X | X | |
| | GLASS – Air Cond. | LH | 2822515 | 1 | 69 | | | | | X | X | |
| | | RH | 2822516 | 1 | 69 | | | | | X | X | |
| 10.829 CHANNEL – Rear Door Glass Division | | | | | | | | | | | | |
| | CHANNEL | LH | 2812785 | 1 | 35 | X | X | | X | | | |
| | | RH | 2812786 | 1 | 35 | X | X | | X | | | |
| | CHANNEL | LH | 2812789 | 1 | 69 | X | X | | X | | | |
| | | RH | 2812790 | 1 | 69 | X | X | | X | | | |
| | CHANNEL | LH | 2812787 | 1 | 69 | | | | | X | X | |
| | | RH | 2812788 | 1 | 69 | | | | | X | X | |
| | BOLT – Pan hd. No. 10 – 24 x $\frac{3}{16}$ " | | SP2441 | 2 | 35, 69 | X | X | | X | X | X | |
| | SCREW | | SP2427 | 2 | 35, 69 | X | X | | X | X | X | |
| | WASHER – Flat .2187 x .68 x .035 | | SP2122 | 2 | 35, 69 | X | X | | X | X | X | |
| | WASHER – Lt. Hel. Spring Lock No. 10 | | 131183 | 2 | 35, 69 | X | X | | X | X | X | |

"HQ" PARTS CATALOGUE

| GROUP | DESCRIPTION | SIDE | PART No. | QTY. | BODY STYLE | 801 802 | 803 804 | 808 | 811 812 | 814 | 815 816 | 818 |
|---|---|------|----------|------|------------|------------|------------|-----|------------|-----|------------|-----|
| 11.007 CHANNEL, FILLER, PLATE & ROLLER ASSY., ROLLER, PIN - Rear Quarter Window Sash | | | | | | | | | | | | |
| | CHANNEL - Front | LH | 2816545 | 1 | 37 | | X | X | X | | | X |
| | | RH | 2816544 | 1 | 37 | | X | X | X | | | X |
| | FILLER - Front | | 2816548 | 2 | 37 | | X | X | X | | | X |
| | FILLER - Lower | | 2815797 | 2 | 37 | | X | X | X | | | X |
| | PLATE & ROLLER ASSY. | LH | 2815795 | 1 | 37 | | X | X | X | | | X |
| | | RH | 2815796 | 1 | 37 | | X | X | X | | | X |
| | ROLLER - Upper | | 9709291 | 4 | 37 | | X | X | X | | | X |
| | ROLLER ASSY. - Lower | | 7648823 | 2 | 37 | | X | X | X | | | X |
| | PIN - Upper Roller | | 7791597 | 2 | 37 | | X | X | X | | | X |
| | PIN - Upper Rear Roller | | 9709294 | 2 | 37 | | X | X | X | | | X |
| | PIN - Lower Roller | | 4491090 | 2 | 37 | | X | X | X | | | X |
| | BUSHING - Roller | | 4491087 | 6 | 37 | | X | X | X | | | X |
| | NUT - Roller Tee | | 4491088 | 6 | 37 | | X | X | X | | | X |
| | WASHER - Lower Roller (rubber) | | 2815804 | 2 | 37 | | X | X | X | | | X |
| | WASHER - Lower Roller (steel) | | 4491086 | 2 | 37 | | X | X | X | | | X |
| | SPRING - Roller Tension | | 2816016 | 2 | 37 | | X | X | X | | | X |
| 11.011 GLASS - Rear Quarter Window | | | | | | | | | | | | |
| | GLASS - exc. Air Cond. | LH | 2815107 | 1 | 35 | X | X | | X | | | |
| | | RH | 2815106 | 1 | 35 | X | X | | X | | | |
| | GLASS - Air Cond. | LH | 2822525 | 1 | 35 | X | X | | X | | | |
| | | RH | 2822524 | 1 | 35 | X | X | | X | | | |
| | GLASS - exc. Air Cond. | LH | 2815659 | 1 | 37 | | X | X | X | | | X |
| | | RH | 2815658 | 1 | 37 | | X | X | X | | | X |
| | GLASS - Air Cond. | LH | 2822523 | 1 | 37 | | X | X | X | | | X |
| | | RH | 2822522 | 1 | 37 | | X | X | X | | | X |
| | GLASS - Front | LH | 2805637 | 1 | 70 | X | | | | | | |
| | | RH | 2805636 | 1 | 70 | X | | | | | | |
| | GLASS - Rear | LH | 2805639 | 1 | 70 | X | | | | | | |
| | | RH | 2805638 | 1 | 70 | X | | | | | | |
| 11.012 STOP - Rear Quarter Window | | | | | | | | | | | | |
| | STOP - Upper | | 7437276 | 2 | 37 | | X | X | X | | | X |
| | STOP - Lower | | 2815792 | 2 | 37 | | X | X | X | | | X |
| 11.015 CHANNEL, WEATHERSTRIP - Rear Quarter Window | | | | | | | | | | | | |
| | CHANNEL - Side Glass | LH | 2815583 | 1 | 35 | X | X | | X | | | |
| | | RH | 2815582 | 1 | 35 | X | X | | X | | | |
| | WEATHERSTRIP - Window Front | LH | 2816547 | 1 | 37 | | X | X | X | | | X |
| | | RH | 2816546 | 1 | 37 | | X | X | X | | | X |
| | WEATHERSTRIP - Quarter Belt Outer | LH | 2816287 | 1 | 37 | | X | X | X | | | X |
| | | RH | 2816288 | 1 | 37 | | X | X | X | | | X |
| | SEAL - Lock Pillar Upper Corner | LH | 2817245 | 1 | 37 | | X | X | X | | | X |
| | | RH | 2817244 | 1 | 37 | | X | X | X | | | X |
| | RETAINER - Window Glass Upper Front | LH | 2817231 | 1 | 37 | | X | X | X | | | X |
| | | RH | 2817232 | 1 | 37 | | X | X | X | | | X |
| | RETAINER - Seal to Pillar | | SP1710 | 4 | 37 | | X | X | X | | | X |
| | WEATHERSEAL - Front glass | | 2805673 | 2 | 70 | X | | | | | | |
| | WEATHERSEAL - Rear glass | | 2805674 | 2 | 70 | X | | | | | | |
| | FILLER - Front | | 7382324 | 2 | 70 | X | | | | | | |
| | FILLER - Rear | | 7382324 | 2 | 70 | X | | | | | | |
| 11.015 WEATHERSTRIP, RETAINER - Door Opening & Rear Quarter Window | | | | | | | | | | | | |
| | WEATHERSTRIP | LH | 2816329 | 1 | 37 | | X | X | X | | | X |
| | | RH | 2816330 | 1 | 37 | | X | X | X | | | X |
| | RETAINER - Weatherstrip | LH | 2816487 | 1 | 37 | | X | X | X | | | X |
| | | RH | 2816488 | 1 | 37 | | X | X | X | | | X |
| | SCREW - Retainer to Body | | 4436814 | 20 | 37 | | X | X | X | | | X |
| | CLIP - Weatherstrip Retainer | | 7674311 | 2 | 37 | | X | X | X | | | X |

"HQ" PARTS CATALOGUE

| GROUP | DESCRIPTION | SIDE | PART No. | QTY. | BODY STYLE | 801 802 | 803 804 | 808 | 811 812 | 814 | 815 816 | 818 |
|--|--|------|----------|-------|--------------------|------------|------------|-----|------------|-----|------------|-----|
| 11.040 GUIDE, SUPPORT – Rear Quarter Window | | | | | | | | | | | | |
| | GUIDE | LH | 2815785 | 1 | 37 | | X | X | X | | | X |
| | | RH | 2815786 | 1 | 37 | | X | X | X | | | X |
| | SUPPORT – Guide Lower | | 2815720 | 2 | 37 | | X | X | X | | | X |
| | STUD – Guide to Inner Panel | | 7433032 | 4 | 37 | | X | X | X | | | X |
| | NUT – Guide to Inner Panel | | SP1991 | 4 | 37 | | X | X | X | | | X |
| 11.041 REGULATOR ASSEMBLY – Rear Quarter Window | | | | | | | | | | | | |
| | REGULATOR ASSY. – exc. Power Windows | LH | 2815791 | 1 | 37 | | X | X | X | | | X |
| | | RH | 2815790 | 1 | 37 | | X | X | X | | | X |
| | REGULATOR ASSY. – Power Windows | LH | 2817399 | 1 | 37 | | X | X | X | | | X |
| | | RH | 2817400 | 1 | 37 | | X | X | X | | | X |
| | SPRING – Regulator Clutch | | 4157887 | 2 | 37 | | X | X | X | | | X |
| | SPRING – Counter Balance | | 63737 | 2 | 37 | | X | X | X | | | X |
| | WASHER – Regulator Assy. (rubber) | | 7413223 | 2 | 37 | | X | X | X | | | X |
| | WASHER – Regulator Assy. (steel) | | 4171918 | 2 | 37 | | X | X | X | | | X |
| 11.042 PIN, ROLLER – Rear Quarter Window Regulator | | | | | | | | | | | | |
| | PIN | | 4158246 | 2 | 37 | | X | X | X | | | X |
| | ROLLER | | 4158245 | 2 | 37 | | X | X | X | | | X |
| 11.043 MOTOR ASSEMBLY – Rear Quarter Windows (Power Operated windows) | | | | | | | | | | | | |
| | MOTOR ASSY. – Slow Winder | LH | 5045594 | 1 | 37 | | | X | X | | | X |
| | | RH | 5045593 | 1 | 37 | | | X | X | | | X |
| | MOTOR ASSY. – Fast Winder | LH | 5045586 | 1 | 37 | | | X | X | | | X |
| | | RH | 5045585 | 1 | 37 | | | X | X | | | X |
| | ARMATURE ASSY. | | 4909699 | 2 | 37 | | | X | X | | | X |
| | PINION PACKAGE | | 4919192 | 2 | 37 | | | X | X | | | X |
| | BRUSH HOLDER & CIRCUIT BREAKER ASSY. | | 4917191 | 2 | 37 | | | X | X | | | X |
| | BRUSH | | 4918916 | 2 | 37 | | | X | X | | | X |
| | SPRING – Brush | | 4904213 | 2 | 37 | | | X | X | | | X |
| | RING – Sealing | | 4916378 | 2 | 37 | | | X | X | | | X |
| | SCREW – Adjusting | | 4917377 | 2 | 37 | | | X | X | | | X |
| | BOLT – Tie | | 4916380 | 4 | 37 | | | X | X | | | X |
| | PLUG – Thrust | | 5098080 | 2 | 37 | | | X | X | | | X |
| 11.044 HANDLE ASSEMBLY – Rear Quarter Window Regulator (exc. Power windows) | | | | | | | | | | | | |
| | HANDLE ASSY. | | 7435027 | 2 | 37 | | X | X | X | | | X |
| | SPRING – Handle retaining | | 4168122 | 2 | 37 | | X | X | X | | | X |
| | PLATE – Handle bearing | | 7731353 | 3 | 37 | | X | X | X | | | X |
| 11.045 SPRING – Rear Quarter Window Handle Escutcheon (exc. Power windows) | | | | | | | | | | | | |
| | SPRING | | 4566746 | 2 | 37 | | X | X | X | | | X |
| 11.175 PLATE – Front Door Scuff | | | | | | | | | | | | |
| | PLATE exc. 4 Door GTS | LH | 2811869 | 1 | 35, 60, 69, 70, 80 | X | X | | | | | |
| | | RH | 2811870 | 1 | 35, 60, 69, 70, 80 | X | X | | | | | |
| | PLATE – 4 Door GTS | LH | 2811871 | 1 | 69 | | X | | | | | |
| | | RH | 2811872 | 1 | 69 | | X | | | | | |
| | PLATE – Extension | LH | 2816651 | 1 | 60, 70, 80 | X | X | | | | | |
| | | RH | 2816652 | 1 | 60, 70, 80 | X | X | | | | | |
| | PLATE | LH | 2811871 | 1 | 35, 69 | | | | X | X | X | |
| | | RH | 2811872 | 1 | 35, 69 | | | | X | X | X | |
| | PLATE | LH | 2811873 | 1 | 37 | | X | | | | | |
| | | RH | 2811874 | 1 | 37 | | X | | | | | |
| | PLATE | LH | 2811875 | 1 | 37 | | | X | X | | | X |
| | | RH | 2811876 | 1 | 37 | | | X | X | | | X |
| | SCREW – Scuff plate | | SP2471 | 14-10 | ALL | X | X | X | X | X | X | X |

"HQ" PARTS CATALOGUE

| GROUP | DESCRIPTION | SIDE | PART No. | QTY. | BODY STYLE | 801 802 | 803 804 | 808 | 811 812 | 814 | 815 816 | 818 |
|--|---|------|----------|------|------------|------------|------------|-----|------------|-----|------------|-----|
| 11.179 PLATE – Rear Door Scuff | | | | | | | | | | | | |
| | PLATE exc. 4 Door GTS | LH | 2811877 | 1 | 35, 69 | X | X | | | | | |
| | | RH | 2811878 | 1 | 35, 69 | X | X | | | | | |
| | PLATE – 4 Door GTS | LH | 2811879 | 1 | 69 | | X | | | | | |
| | | RH | 2811880 | 1 | 69 | | X | | | | | |
| | PLATE | LH | 2811879 | 1 | 35, 69 | | | | X | X | X | |
| | | RH | 2811880 | 1 | 35, 69 | | | | X | X | X | |
| | SCREW – Scuff plate | | SP2471 | 8 | 35, 69 | X | X | | X | X | X | |
| 11.200 FRAME – Rear Window | | | | | | | | | | | | |
| | FRAME | | 2812599 | 1 | 37 | | X | X | X | | | X |
| | FRAME | | 2810245 | 1 | 69 | X | X | | X | | | |
| | FRAME | | 2810934 | 1 | 69 | | | | | X | X | |
| | FRAME | | 2816719 | 1 | 60, 80 | X | X | | | | | |
| 11.204 GLASS – End Gate, Rear Window | | | | | | | | | | | | |
| | GLASS – End gate, exc. Air Cond | | 2814362 | 1 | 35 | X | X | | X | | | |
| | GLASS – End gate, Air Cond. | | 2822526 | 1 | 35 | X | X | | X | | | |
| | GLASS – End gate, exc. Air Cond. | | 7420405 | 1 | 70 | X | | | | | | |
| | GLASS – End gate, Air Cond. | | 2822527 | 1 | 70 | X | | | | | | |
| | GLASS – Rear window | | 2811778 | 1 | 37 | | X | X | X | | | X |
| | GLASS – Rear window, exc. Air Cond. | | 2809885 | 1 | 69 | X | X | | X | | | |
| | GLASS – Rear window, Air Cond. | | 2822519 | 1 | 69 | X | X | | X | | | |
| | GLASS – Rear window, exc. Air Cond. Heated window | | 2805921 | 1 | 69 | | | | | X | X | |
| | GLASS – Rear window, Air Cond. exc. Heated window | | 2822520 | 1 | 69 | | | | | X | X | |
| | GLASS – Rear window, Heated window exc. Air Cond. | | 2824890 | 1 | 69 | | | | | X | X | |
| | GLASS – Rear window, Heated window, Air Cond. | | 3428703 | 1 | 69 | | | | | X | X | |
| | GLASS – Rear window, exc. Air Cond. | | 2815685 | 1 | 60, 80 | X | X | | | | | |
| | GLASS – Rear window, Air Cond. | | 2822521 | 1 | 60, 80 | X | X | | | | | |
| 11.207 CHANNEL, RETAINER, WEATHERSTRIP – Rear Window and End Gate Glass | | | | | | | | | | | | |
| | CHANNEL – End gate glass, upper | | 2814797 | 1 | 35 | X | X | | X | | | |
| | RETAINER – Upper channel | LH | 2814567 | 1 | 35 | X | X | | X | | | |
| | | RH | 2814566 | 1 | 35 | X | X | | X | | | |
| | SCREW – Rd. hd. cr. rec. tap. "BA" type | | 4816670 | 6 | 35 | X | X | | X | | | |
| | CHANNEL – End gate glass lower | LH | 2815325 | 1 | 35 | X | X | | X | | | |
| | | RH | 2815324 | 1 | 35 | X | X | | X | | | |
| | RETAINER – End gate glass, lower | | 2813887 | 2 | 35 | X | X | | X | | | |
| | CHANNEL ASSY. – End gate glass lifter | | 2814371 | 1 | 35 | X | X | | X | | | |
| | LACE – End gate belt finishing | | 2814068 | 1 | 35 | X | X | | X | | | |
| | WEATHERSTRIP – End gate glass channel | | 2814286 | 1 | 35 | X | X | | X | | | |
| | CAM ASSY. – Lifter channel | | 7434382 | 2 | 35 | X | X | | X | | | |
| | WEATHERSTRIP – Outer belt | | 2814479 | 1 | 35 | X | X | | X | | | |
| | CHANNEL – End gate glass | | 7420598 | 1 | 70 | X | | | | | | |
| | CHANNEL – Rear window glass | | 2816597 | 1 | 60, 80 | X | X | | | | | |
| 11.208 MOULDING – Rear Window Reveal | | | | | | | | | | | | |
| | MOULDING – Upper | | 2814682 | 1 | 37 | | X | X | X | | | X |
| | MOULDING – Lower | LH | 2814683 | 1 | 37 | | X | X | X | | | X |
| | | RH | 2814684 | 1 | 37 | | X | X | X | | | X |
| | CLIP – Moulding | | 7434693 | 2 | 37 | | X | X | X | | | X |
| | MOULDING – Upper | | 2813983 | 1 | 69 | X | X | | X | | | |
| | MOULDING | LH | 2813985 | 1 | 69 | X | X | | X | | | |
| | | RH | 2813984 | 1 | 69 | X | X | | X | | | |
| | MOULDING – Upper | | 2813943 | 1 | 69 | | | | | X | X | |
| | MOULDING – Lower | | 2813944 | 1 | 69 | | | | | X | X | |
| | MOULDING | LH | 2813945 | 1 | 69 | | | | | X | X | |
| | | RH | 2813946 | 1 | 69 | | | | | X | X | |
| | EXTENSION – Lower moulding | | 2819992 | 1 | 37, 69 | X | X | X | X | | | X |
| | RETAINER – Moulding | | 2811948 | 8 | 37, 69 | X | X | X | X | | | X |

"HQ" PARTS CATALOGUE

| GROUP | DESCRIPTION | SIDE | PART No. | QTY. | BODY STYLE | 801 802 | 803 804 | 808 | 811 812 | 814 | 815 816 | 818 |
|---|---|------|-------------------------|------|--------------------|------------|------------|-----|------------|-----|------------|-----|
| 11.208 MOULDING – Rear Window Reveal (contd.) | | | | | | | | | | | | |
| | CLIP - Moulding | | 8736585 | AR | 37, 69 | X | X | X | X | X | X | X |
| | INSERT - Upper | | 2817101 | 1 | 60, 80 | X | X | | | | | |
| | INSERT - Lower | | 2817100 | 1 | 60, 80 | X | X | | | | | |
| | INSERT - Upper | | 2817168 | 1 | 80 | | X | | | | | |
| | INSERT - Lower | | 2817167 | 1 | 80 | | X | | | | | |
| 11.373 SPRING & FRAME ASSEMBLY – Front Seat | | | | | | | | | | | | |
| | SPRING & FRAME ASSY. - (Bench seat) | | (⁶ 2811746 | 1 | 35, 69 | X | X | | | | | |
| | SPRING & FRAME ASSY. - (Bench seat exc. centre armrest) | | (⁶ 2825122 | 1 | 35, 69 | X | X | | | | | |
| | SPRING & FRAME ASSY. - (Bench seat with centre armrest) | | 2825121 | 1 | 35, 69 | | X | | | | | |
| | SPRING & FRAME ASSY. - (Bench seat) | | (⁶ 2813666 | 1 | 35, 69 | | | | X | X | X | |
| | SPRING & FRAME ASSY. - (Bench seat) | | (⁶ 2825121 | 1 | 35, 69 | | | | X | X | X | |
| | SPRING & FRAME ASSY. - (Bench seat) | | (⁷ 2825885 | 1 | 69 | | | | X | X | X | |
| | SPRING & FRAME ASSY. - Heavy Duty (Bench seat) | | (⁶ 2811840 | 1 | 69 | X | X | | | | | |
| | SPRING & FRAME ASSY. - Heavy Duty (Bench seat) | | (⁶ 2825400 | 1 | 69 | X | X | | | | | |
| | SPRING & FRAME ASSY. - (Bench seat) | | 2814589 | 1 | 60, 70, 80 | X | X | | | | | |
| | SPRING & FRAME ASSY. - Heavy Duty (Bench seat) | | 9928863 | 1 | 60, 70, 80 | X | X | | | | | |
| | FRAME ASSY. - Centre arm rest (Bench seat) | | 2812462 | 1 | 35, 69 | | X | | X | X | X | |
| | REINFORCEMENT - Upper side bar (Bench seat) | LH | 2810637 | 1 | 35, 60, 69, 70, 80 | X | X | | X | X | X | |
| | | RH | 2810638 | 1 | 35, 60, 69, 70, 80 | X | X | | X | X | X | |
| | SPRING & FRAME ASSY. - (Bucket seat fixed back) | | 2811745 | 2 | 35, 60, 69, 70, 80 | X | X | | X | | X | |
| | REINFORCEMENT - Upper side bar, (Bucket seat fixed back) | LH | 2810637 | 2 | 35, 60, 69, 70, 80 | X | X | | X | | X | |
| | | RH | 2810638 | 2 | 35, 60, 69, 70, 80 | X | X | | X | | X | |
| | SPRING & FRAME ASSY. - Cushion (Bucket seat reclining) | | (⁸ 2817223 | 2 | 35, 37, 69 | | X | | | X | | |
| | SPRING & FRAME ASSY. - Cushion (Bucket seat reclining) | | (⁸ 2822328 | 2 | ALL | X | X | X | X | X | X | X |
| | SPRING & FRAME ASSY. - Back (Bucket seat reclining) | | (¹⁰ 2816815 | 2 | 35, 37, 69 | | X | | | | | |
| | SPRING & FRAME ASSY. - Back (Bucket seat reclining) | | (¹⁰ 2822327 | 2 | 35, 37, 69 | | | | X | | | |
| | SPRING & FRAME ASSY. - Back (Bucket seat reclining) | | (¹⁰ 2822828 | 2 | 37 | | | X | | | | X |
| | SPRING & FRAME ASSY - Back (Bucket seat reclining) | | (¹¹ 2829928 | 2 | ALL | X | X | X | X | | | X |
| | SPRING & FRAME ASSY - Back (Bucket seat reclining) | | (¹⁸ 2816815 | 2 | 69 | | | | | X | | |
| | SPRING & FRAME ASSY - Back (Bucket seat reclining) | | (¹⁸ 2829928 | 2 | 69 | | | | | X | | |
| | SPRING & FRAME ASSY - Back (Bucket seat reclining) | | (¹⁴ 2822327 | 2 | 69 | | | | | | X | |
| | SPRING & FRAME ASSY - Back (Bucket seat reclining) | | (¹⁶ 2829928 | 2 | 69 | | | | | | X | |
| <p>Note: (⁶ Ashtray in lower part of seat. (⁸ Ashtray in upper part of seat. (⁷ No ashtray in seat. (⁹ With main, border and end springs. (⁹ With main springs only. (¹⁰ Use with seat cover less zipper. (¹¹ Use with seat cover having zipper. (¹² Use with seat cover having extension at bottom of side facing. (¹³ Use with seat cover without extension at bottom of side facing. (¹⁴ Use with seat cover having 8 flutes. (¹⁶ Use with seat cover having 6 flutes.</p> | | | | | | | | | | | | |

“HQ” PARTS CATALOGUE

| GROUP | DESCRIPTION | SIDE | PART No. | QTY. | BODY STYLE | 801 802 | 803 804 | 808 | 811 812 | 814 | 815 816 | 818 |
|---------------|---|------|----------|------|--------------------|------------|------------|-----|------------|-----|------------|-----|
| 11.374 | SPRING, WIRE, CLIP, RING – Front Seat Back | | | | | | | | | | | |
| | SPRING – Main (Bench seat) exc. centre armrest | | 2810741 | 13 | 35, 69, 80 | X | X | | | | | |
| | SPRING – Main (Bench seat with centre armrest) | | 2820575 | 10 | 35, 69 | | X | | | | | |
| | SPRING – Main (Bench seat) | | 2820575 | 10 | 35, 69 | | | | X | X | X | |
| | SPRING – Main (Bucket seat fixed back) | | 2810741 | 10 | 35, 60, 69, 70, 80 | X | X | | X | X | X | |
| | SPRING – Main (Bucket seat reclining) | | 2820741 | 4-10 | ALL | | X | X | X | X | X | X |
| | SPRING – Centre (Bench seat with centre armrest) | | 2816214 | 3 | 35, 69 | | X | | | | | |
| | SPRING – Centre (Bench seat) | | 2816214 | 3 | 35, 69 | | | | X | X | X | |
| | SPRING – Centre (Bucket seat reclining) | | 9928502 | 2 | ALL | X | X | X | X | X | X | X |
| | SPRING – Centre support (Bucket seat reclining) | | 9928503 | 2 | ALL | X | X | X | X | X | X | X |
| | WIRE – End border support (Bench seat) | LH | 2811359 | 1 | 35, 60, 69, 70, 80 | X | X | | X | X | X | |
| | WIRE – Upper border (Bench seat) | RH | 2811358 | 1 | 35, 60, 69, 70, 80 | X | X | | X | X | X | |
| | WIRE – Lower border (Bench seat exc. centre armrest) | | 2811257 | 1 | 35, 60, 69, 70, 80 | X | X | | X | X | X | |
| | WIRE – Lower border (Bench seat with centre armrest) | | 2811256 | 1 | 35, 60, 69, 70, 80 | X | X | | | | | |
| | WIRE – Lower border (Bench seat) | LH | 2816215 | 1 | 35, 69 | | X | | | | | |
| | WIRE – Lower border (Bench seat) | RH | 2816216 | 1 | 35, 69 | | X | | | | | |
| | WIRE – Lower border (Bench seat) | LH | 2816215 | 1 | 35, 69 | | | | X | X | X | |
| | WIRE – Lower border (Bench seat) | RH | 2816216 | 1 | 35, 69 | | | | X | X | X | |
| | WIRE – Centre border (Bench seat with centre armrest) | | 2816218 | 1 | 35, 69 | | X | | | | | |
| | WIRE – Trim retainer (Bench seat with centre armrest) | | 2816217 | 2 | 35, 69 | | X | | | | | |
| | WIRE – Centre border (Bench seat) | | 2816218 | 1 | 35, 69 | | | | X | X | X | |
| | WIRE – Trim retainer (Bench seat) | | 2816217 | 2 | 35, 69 | | | | X | X | X | |
| | WIRE – Helical tie – Heavy duty (Bench seat) | | 2811847 | 2 | 69 | X | X | | | | | |
| | Guide – Front seat belt (Bench seat) | | 2823365 | 1 | 35, 60, 69, 70, 80 | X | X | | X | X | X | |
| | WIRE – End border support (Bucket seat fixed back) | LH | 2811359 | 2 | 35, 60, 69, 70, 80 | X | X | | X | | X | |
| | WIRE – Upper border (Bucket seat fixed back) | RH | 2811358 | 2 | 35, 60, 69, 70, 80 | X | X | | X | | X | |
| | WIRE – Upper border (Bucket seat fixed back) | | 2811513 | 2 | 35, 60, 69, 70, 80 | X | X | | X | | X | |
| | CLIP – Back wire | | 7401768 | AR | ALL | X | X | X | X | X | X | X |
| | CLIP – Seat cover to frame | | 7100321 | 8 | 60, 70, 80 | X | X | | | | | |
| | CLIP – Seat cover to frame (Bucket seat fixed back) | | 7100321 | 4 | 69 | | | | | | X | |
| | CLIP – Seat cover to frame (Bucket seat reclining) | | 7100321 | 4 | ALL | | | | | X | X | |
| | RING – Hog | | 4556605 | AR | ALL | X | X | X | X | X | X | X |
| 11.376 | GUIDE, SPRING, ROD – Front Seat Head Restraint | | | | | | | | | | | |
| | GUIDE | | 2807061 | 4 | ALL | X | X | X | X | X | X | X |
| | SPRING – Retainer | | 2807062 | 4 | ALL | X | X | X | X | X | X | X |
| | ROD – Adjuster | | 2807060 | 4 | ALL | X | X | X | X | X | X | X |
| 11.388 | ADJUSTER ASSEMBLY – Front Seat Recliner | | | | | | | | | | | |
| | ADJUSTER ASSY. – (Bucket seat reclining) | LH | 2817297 | 1 | 35, 60, 69, 70, 80 | X | X | | X | X | X | |
| | ADJUSTER ASSY. – (Bucket seat reclining) | RH | 2817296 | 1 | 35, 60, 69, 70, 80 | X | X | | X | X | X | |
| | ADJUSTER ASSY. – (Bucket seat reclining) | LH | 2817357 | 1 | 37 | | X | | | | | |
| | ADJUSTER ASSY. – (Bucket seat reclining) | RH | 2817358 | 1 | 37 | | X | | | | | |
| | ADJUSTER ASSY. – (Bucket seat reclining) | LH | 2817297 | 1 | 37 | | | X | X | | | X |
| | ADJUSTER ASSY. – (Bucket seat reclining) | RH | 2817296 | 1 | 37 | | | X | X | | | X |
| | SCREW – Adjuster to seat | | SP2258 | 8 | 35, 60, 69, 70, 80 | X | X | | X | X | X | |
| | SCREW – Adjuster to seat | | SP2305 | 8 | 37 | | X | | | | | |
| | SCREW – Adjuster to seat | | SP2258 | 8 | 37 | | | X | X | | | X |
| | SPACER | | 2822701 | 4 | ALL | X | X | X | X | X | X | X |

"HQ" PARTS CATALOGUE

| GROUP | DESCRIPTION | SIDE | PART No. | QTY. | BODY STYLE | 801 802 | 803 804 | 808 | 811 812 | 814 | 815 816 | 818 |
|--|--|------|-------------------------|------|--------------------|------------|------------|-----|------------|-----|------------|-----|
| 11.389 KNOB, SPRING – Front Seat Recliner Adjuster | | | | | | | | | | | | |
| | KNOB | | 2824586 | 2 | 35, 37, 69 | | X | X | X | X | X | X |
| | SPRING - Lever return | | 2817329 | 4 | ALL | X | X | X | X | X | X | X |
| 11.390 BAR ASSEMBLY, SPRING ASSEMBLY, TORQUE TUBE – Front Seat Recliner | | | | | | | | | | | | |
| | BAR ASSY. - Frame side cushion (Bucket seat reclining) | LH | 2816472 | 2 | ALL | X | X | X | X | X | X | X |
| | | RH | 2816471 | 2 | ALL | X | X | X | X | X | X | X |
| | SPRING ASSY. - Back torque (Bucket seat reclining) | | 2817320 | 2 | ALL | X | X | X | X | X | X | X |
| | COVER - Back torque spring (Bucket seat reclining) | | 2817321 | 2 | ALL | X | X | X | X | X | X | X |
| | CIRCLIP - Cover to pivot %" | | SP2328 | 2 | 35, 37, 69 | | X | X | X | X | X | X |
| | TORQUE TUBE - Actuating lever | | 2823382 | 2 | 35, 37, 69 | | X | X | X | X | X | X |
| 11.392 ARM ASSEMBLY – Front Seat Reclining | | | | | | | | | | | | |
| | ARM ASSY. - Left front seat | RH | 2817298 | 1 | 37 | | X | | | | | |
| | ARM ASSY. - Left front seat | RH | 2817354 | 1 | 37 | | | X | X | | | X |
| | ARM ASSY. - Left front seat | RH | 2817354 | 1 | 35, 60, 69, 70, 80 | X | X | | X | X | X | |
| | ARM ASSY. - Right front seat | LH | 2817299 | 1 | 37 | | X | | | | | |
| | ARM ASSY. - Right front seat | LH | 2817353 | 1 | 37 | | | X | X | | | X |
| | ARM ASSY. - Right front seat | LH | 2817353 | 1 | 35, 60, 69, 70, 80 | X | X | | X | X | X | |
| | SCREW - Arm to seat | | SP2258 | 8 | 35, 60, 69, 70, 80 | X | X | | X | X | X | |
| | SCREW - Arm to seat | | SP2305 | 8 | 37 | | X | | | | | |
| | SCREW - Arm to seat | | SP2258 | 8 | 37 | | | X | X | | | X |
| | CIRCLIP - Upper to lower side arm | | SP2304 | 4 | 35, 37, 69 | | X | X | X | X | X | X |
| 11.420 SPRING, WIRE, CLIP, RING – Front Seat Cushion | | | | | | | | | | | | |
| | SPRING - Main (Bench seat) | | 2810822 | 9 | 35, 60, 69, 70, 80 | X | X | | X | X | X | |
| | SPRING - Main (Bench seat) | | 2810994 | 1 | 35, 60, 69, 70, 80 | X | X | | X | X | X | |
| | SPRING - Intermediate (Bench seat) | | 2810996 | 1 | 35, 60, 69, 70, 80 | X | X | | X | X | X | |
| | SPRING - Intermediate (Bench seat) | | 2810995 | 1 | 35, 60, 69, 70, 80 | X | X | | X | X | X | |
| | SPRING - End (Bench seat) | | 2810997 | 2 | 35, 60, 69, 70, 80 | X | X | | X | X | X | |
| | SPRING - End support (Bench seat) | | 2811362 | 4 | 35, 60, 69, 70, 80 | X | X | | X | X | X | |
| | SPRING - Centre (Bench seat) | | 2810998 | 3 | 35, 60, 69, 70, 80 | X | X | | X | X | X | |
| | SPRING - Support, Heavy duty (Bench seat) | | 7431552 | 6 | 89 | X | X | | | | | |
| | WIRE - Stabilizer (Bench seat) | | 2811685 | 1-4 | 35, 60, 69, 70, 80 | X | X | | X | X | X | |
| | WIRE - Front border (Bench seat) | | 2811308 | 1 | 35, 60, 69, 70, 80 | X | X | | X | X | X | |
| | WIRE - Side border (Bench seat) | | 2818131 | 2 | 35, 60, 69, 70, 80 | X | X | | X | X | X | |
| | WIRE - Side border (Bench seat) | | 2818132 | 2 | 35, 60, 69, 70, 80 | X | X | | X | X | X | |
| | WIRE - Helical tie, Heavy duty (Bench seat) | | 2811847 | 2 | 89 | X | X | | | | | |
| | SPRING - Main (Bucket seat fixed back) | | 2810822 | 8 | 35, 60, 69, 70, 80 | X | X | | X | | X | |
| | SPRING - Main (Bucket seat reclining) | | (¹⁶ 2816494 | 6 | 35, 37, 69 | | X | | | X | | |
| | SPRING - Main (Bucket seat reclining) | | (¹⁷ 2824430 | 8 | ALL | X | X | X | X | X | X | X |
| | SPRING - End (Bucket seat fixed back) | | 2810997 | 4 | 35, 60, 69, 70, 80 | X | X | | X | | X | |
| | SPRING - End (Bucket seat reclining) | | (¹⁶ 2816495 | 4 | 35, 37, 69 | | X | | | X | | |
| | SPRING - End support (Bucket seat fixed back) | | 2811362 | 8 | 35, 60, 69, 70, 80 | X | X | | X | | X | X |
| | SPRING - End support (Bucket seat reclining) | | (¹⁶ 2811362 | 6 | 35, 37, 69 | | X | | | X | | |
| | SPRING - Front border (Bucket seat reclining) | | (¹⁶ 2816496 | 2 | 35, 37, 69 | | X | | | X | | |
| | WIRE - Front border (Bucket seat fixed back) | | 2811678 | 2 | 35, 60, 69, 70, 80 | X | X | | X | | X | |
| | WIRE - Side border front (Bucket seat fixed back) | | 2818131 | 4 | 35, 60, 69, 70, 80 | X | X | | X | | X | |
| | WIRE - Side border front (Bucket seat reclining) | | (¹⁶ 2818131 | 4 | 35, 37, 69 | | X | | | X | | |
| | WIRE - Side border rear (Bucket seat fixed back) | | 2818132 | 4 | 35, 60, 69, 70, 80 | X | X | | X | | X | |
| | WIRE - Side border rear (Bucket seat reclining) | | (¹⁶ 2818132 | 4 | 35, 37, 69 | | X | | | X | | |
| | WIRE - Rear border (Bucket seat reclining) | | (¹⁶ 2816497 | 2 | 35, 37, 69 | | X | | | X | | |
| | CLIP - Cushion wire | | 7401768 | AR | ALL | X | X | X | X | X | X | X |

Note: (¹⁶ Use with spring & frame assy 2817223.
(¹⁷ Use with spring & frame assy 2822328.

"HQ" PARTS CATALOGUE

| GROUP | DESCRIPTION | SIDE | PART No. | QTY. | BODY STYLE | 801 802 | 803 804 | 808 | 811 812 | 814 | 815 816 | 818 |
|---|--|------|-------------------------|------|--------------------|------------|------------|-----|------------|-----|------------|-----|
| 11.561 ADJUSTER ASSEMBLY – Front Seat (Fore & Aft movement) | | | | | | | | | | | | |
| | ADJUSTER ASSY. | LH | 2809581 | 2-1 | ALL | X | X | X | X | X | X | X |
| | | RH | 2809580 | 2-1 | ALL | X | X | X | X | X | X | X |
| | SUPPORT - Adjuster lever | | 2818466 | 2-1 | ALL | X | X | X | X | X | X | X |
| 11.581 SPRING – Front Seat Adjuster | | | | | | | | | | | | |
| | SPRING - Assist | | 4304426 | 4-2 | ALL | X | X | X | X | X | X | X |
| | SPRING - Remote control handle | | 2811724 | 2-1 | ALL | X | X | X | X | X | X | X |
| | SPRING - Release lever | | 2811198 | 4-2 | ALL | X | X | X | X | X | X | X |
| 11.588 HANDLE – Front Seat Adjuster | | | | | | | | | | | | |
| | HANDLE | | 2811381 | 2-1 | ALL | X | X | X | X | X | X | X |
| | BOLT - Handle | | 2811258 | 2-1 | ALL | X | X | X | X | X | X | X |
| | WASHER - Spring 1/4" | | SP1328 | 2-1 | ALL | X | X | X | X | X | X | X |
| 11.589 WIRE ASSEMBLY, TENSIONER – Seat Adjuster | | | | | | | | | | | | |
| | WIRE ASSY. - Long (Bench seat) | | 2811366 | 1 | 35, 60, 69, 70, 80 | X | X | | X | X | X | |
| | WIRE - Short (Bench seat) | | 2811253 | 1 | 35, 60, 69, 70, 80 | X | X | | X | X | X | |
| | TENSIONER - Auxiliary wire (Bench seat) | | 2811360 | 1 | 35, 60, 69, 70, 80 | X | X | | X | X | X | |
| | WIRE ASSY. - Long (Bucket seat) | | 2811255 | 2 | ALL | X | X | X | X | X | X | X |
| | WIRE ASSY. - Short (Bucket seat) | | 2811253 | 2 | ALL | X | X | X | X | X | X | X |
| 11.610 SPRING & FRAME ASSEMBLY – Rear Seat Cushion | | | | | | | | | | | | |
| | SPRING & FRAME ASSY. | | 2814807 | 1 | 35 | X | X | | X | X | X | |
| | SPRING & FRAME ASSY. | | 2816254 | 1 | 37 | | X | X | X | | | X |
| | SPRING & FRAME ASSY. - 1st type exc. SS | | 2812977 | 1 | 69 | X | X | | X | | | |
| | SPRING & FRAME ASSY. - 2nd type exc. SS | | 2829974 | 1 | 69 | X | X | | X | | | |
| | SPRING & FRAME ASSY - SS | | (¹⁸ 2814807 | 1 | 69 | X | | | | | | |
| | SPRING & FRAME ASSY - SS | | (¹⁸ 2829974 | 1 | 69 | X | | | | | | |
| | SPRING & FRAME ASSY. | | 2814807 | 1 | 69 | | | | | X | X | |
| | SPRING & FRAME ASSY. - Heavy duty 1st type | | 2816348 | 1 | 69 | X | X | | | | | |
| | SPRING & FRAME Assy - Heavy duty 2nd type | | 2829913 | 1 | 69 | X | X | | | | | |
| 11.611 SPRING, CLIP – Rear Seat Cushion | | | | | | | | | | | | |
| | SPRING - Main | | 2814485 | 10 | 35 | X | X | | X | | | |
| | SPRING - Main | | 2815046 | 10 | 37 | | X | X | X | | | X |
| | SPRING - Main exc. SS | | (²⁰ 2812474 | 10 | 69 | X | X | | X | | | |
| | SPRING - Main exc. SS | | (²¹ 2829914 | 10 | 69 | X | X | | X | | | |
| | SPRING - Main SS | | (¹⁸ 2814485 | 10 | 69 | X | | | | | | |
| | SPRING - Main SS | | (¹⁸ 2829914 | 10 | 69 | X | | | | | | |
| | SPRING - Main | | 2814485 | 10 | 69 | | | | | X | X | |
| | SPRING - Main support | | 2815240 | 6 | 37 | | X | X | X | | | X |
| | SPRING - End | | 2815047 | 2 | 37 | | X | X | X | | | X |
| | SPRING - End | | 2812456 | 2 | 35, 69 | X | X | | X | X | X | |
| | SPRING - End inner | | 2814488 | 2 | 35 | X | X | | X | | | |
| | SPRING - End inner exc. SS | | (²⁰ 2812335 | 2 | 69 | X | X | | X | | | |
| | SPRING - End inner exc. SS | | (²¹ 2829917 | 2 | 69 | X | X | | X | | | |
| | SPRING - End inner SS | | (¹⁸ 2814488 | 2 | 69 | X | | | | | | |
| | SPRING - End inner SS | | (¹⁸ 2829917 | 2 | 69 | X | | | | | | |
| | SPRING - End inner | | 2814488 | 2 | 69 | | | | | X | X | |
| | SPRING - Intermediate | | 2814487 | 2 | 35 | X | X | | X | | | |
| | SPRING - Intermediate | | 2815007 | 4 | 37 | | X | X | X | | | X |
| | SPRING - Intermediate exc. SS | | (²⁰ 2812339 | 2 | 69 | X | X | | X | | | |
| | SPRING - Intermediate exc. SS | | (²¹ 2829916 | 2 | 69 | X | X | | X | | | |
| | SPRING - Intermediate SS | | (¹⁸ 2814487 | 2 | 69 | X | | | | | | |
| | SPRING - Intermediate SS | | (¹⁸ 2829916 | 2 | 69 | X | | | | | | |
| | SPRING - Intermediate | | 2814487 | 2 | 69 | | | | | X | X | |
| Note: (¹⁸ Use with cover 9928980. (¹⁹ Use with cover 9929016. (²⁰ Use with 1st type spring & frame assy. (²¹ Use with 2nd type spring & frame assy. | | | | | | | | | | | | |

"HQ" PARTS CATALOGUE

| GROUP | DESCRIPTION | SIDE | PART No. | QTY. | BODY STYLE | 801 802 | 803 804 | 808 | 811 812 | 814 | 815 816 | 818 |
|--|---|------|-------------------------|------|------------|------------|------------|-----|------------|-----|------------|-----|
| 11.611 SPRING, CLIP – Rear Seat Cushion (contd.) | | | | | | | | | | | | |
| | SPRING - Centre | | 2814486 | 3 | 35 | X | X | | X | | | |
| | SPRING - Centre | | 2815112 | 3 | 37 | | X | X | | | | X |
| | SPRING - Centre exc. SS | | (²⁰ 2812344 | 3 | 69 | X | X | | X | | | |
| | SPRING - Centre exc. SS | | (²¹ 2829915 | 3 | 69 | X | X | | X | | | |
| | SPRING - Centre SS | | (¹⁸ 2814486 | 3 | 69 | X | | | | | | |
| | SPRING - Centre SS | | (¹⁹ 2829915 | 3 | 69 | X | | | | | | |
| | SPRING - Centre | | 2814486 | 3 | 69 | | | | | X | X | |
| | SPRING - Cushion support (Heavy duty) | | (²⁰ 7429742 | 6 | 69 | X | X | | | | | |
| | SPRING - Cushion support (Heavy duty) | | (²¹ 2829973 | 6 | 69 | X | X | | | | | |
| | WIRE - Helical tie (Heavy duty) | | 2811847 | 3 | 69 | X | X | | | | | |
| | RING - Hog | | 4556605 | AR | 35, 69 | X | X | | X | | X | |
| | CLIP - Cushion wire | | 7401768 | AR | ALL | X | X | X | X | X | X | X |
| | SUPPORT - Spring | | 2822252 | 12 | 37 | | X | X | X | | | X |
| 11.628 SPRING & FRAME ASSEMBLY – Rear Seat Back | | | | | | | | | | | | |
| | SPRING & FRAME ASSY. | | 2816132 | 1 | 35 | X | X | | | | | |
| | SPRING & FRAME ASSY. | | 2816108 | 1 | 35 | | | | X | | | |
| | SPRING & FRAME ASSY. | | 2816255 | 1 | 37 | | X | X | | | | X |
| | SPRING & FRAME ASSY. | | 2812615 | 1 | 69 | X | X | | | | | |
| | SPRING & FRAME ASSY. | | 2812616 | 1 | 69 | | | | X | | | |
| | SPRING & FRAME ASSY. | | 2814786 | 1 | 69 | | | | | X | X | |
| | SPRING & FRAME ASSY. - (Heavy duty) | | 2816349 | 1 | 69 | X | X | | | | | |
| 11.628 FRAME ASSY. – Centre Arm Rest – Rear Seat | | | | | | | | | | | | |
| | FRAME ASSY. | | 2812462 | 1 | 35, 69 | | | | X | X | X | |
| 11.629 SPRING, WIRE, CLIP, RING – Rear Seat Back | | | | | | | | | | | | |
| | SPRING - Main | | 2815485 | 12-8 | 35 | X | X | | X | | | |
| | SPRING - Main | | 2815257 | 8 | 37 | | X | X | X | | | X |
| | SPRING - Main | | 2812975 | 12-8 | 69 | X | X | | X | | | |
| | SPRING - Main | | 2814461 | 8 | 69 | | | | | X | X | |
| | SPRING - Centre main | | 2815258 | 2 | 37 | | X | X | X | | | X |
| | SPRING - Main support | | 2814439 | 6 | 69 | | | | | X | X | |
| | SPRING - Intermediate | | 2815765 | 2 | 35 | X | X | | X | | | |
| | SPRING - Centre | | 2816402 | 4 | 35 | | | | X | | | |
| | SPRING - Centre | | 2815232 | 2 | 37 | | X | X | X | | | X |
| | SPRING - Outer | | 2815153 | 2 | 35 | X | X | | X | | | |
| | SPRING - Outer | | 2809835 | 4 | 37 | | X | X | X | | | X |
| | SPRING - Outer | | 2811735 | 4 | 69 | X | X | | X | | | |
| | SPRING - Outer | | 2814441 | 4 | 69 | | | | | X | X | |
| | SPRING - Back support | | 2811734 | 8-6 | 69 | X | X | | X | | | |
| | WIRE - Helical tie (Heavy duty) | | 7419480 | 2 | 69 | X | X | | | | | |
| | RING - Hog | | 4556605 | AR | 35, 37, 69 | X | X | X | X | X | X | X |
| | CLIP - Cushion wire | | 7401768 | AR | ALL | X | X | X | X | X | X | X |
| | WIRE - Upper border | | 2815616 | 1 | 35 | X | X | | X | | | |
| | WIRE - Lower border | | 2815615 | 1 | 35 | X | X | | | | | |
| | WIRE - Centre border | | 2816413 | 1 | 35 | | | | X | | | |
| | WIRE - Centre lower border | | 2816405 | 1 | 35 | | | | X | | | |
| | WIRE - Lower border | LH | 2816403 | 1 | 35 | | | | X | | | |
| | | RH | 2816404 | 1 | 35 | | | | X | | | |
| 11.630 HINGE – Rear Seat Back | | | | | | | | | | | | |
| | HINGE | LH | 2815341 | 1 | 35 | X | X | | X | | | |
| | | RH | 2815342 | 1 | 35 | X | X | | X | | | |
| <p>Note: (¹⁸ Use with cover 9928980. (¹⁹ Use with cover 9929016. (²⁰ Use with 1st type spring & frame assy. (²¹ Use with 2nd type spring & frame assy.</p> | | | | | | | | | | | | |

"HQ" PARTS CATALOGUE

| GROUP | DESCRIPTION | SIDE | PART No. | QTY. | BODY STYLE | 801 802 | 803 804 | 808 | 811 812 | 814 | 815 816 | 818 |
|---------------|--|------|-------------------------|------|--------------------|------------|------------|-----|------------|-----|------------|-----|
| 11.634 | PLUNGER, HANDLE, PLATE, BRACKET – Rear Seat Back | | | | | | | | | | | |
| | PLUNGER ASSY. – Lock | | 2815293 | 2 | 35 | X | X | | X | | | |
| | HANDLE ASSY. – Lock | | 2815596 | 1 | 35 | X | X | | X | | | |
| | CLIP – Lock bar | | 7402119 | 2 | 35 | X | X | | X | | | |
| | SPRING – Lock bar | | 7407811 | 2 | 35 | X | X | | X | | | |
| | PLATE – Lock cover | | 7433086 | 1 | 35 | X | X | | X | | | |
| | RETAINER – Plunger | LH | 2815503 | 1 | 35 | X | X | | X | | | |
| | | RH | 2815504 | 1 | 35 | X | X | | X | | | |
| | BRACKET – Stop | | 7433102 | 2 | 35 | X | X | | X | | | |
| | BUMPER – Stop bracket | | 7424249 | 2 | 35 | X | X | | X | | | |
| | BUMPER – Lock | | 7433103 | 2 | 35 | X | X | | X | | | |
| | BOLT – Stop bracket to bumper | | 7433104 | 2 | 35 | X | X | | X | | | |
| | RETAINER – Lower | | 7423196 | 2 | 37, 69 | X | X | X | X | X | X | X |
| | RETAINER – Upper | | 2812735 | 4 | 37, 69 | X | X | X | X | X | X | X |
| | RETAINER – Upper | | 7417198 | 2 | 37, 69 | X | X | X | X | X | X | X |
| 11.925 | BASE, LEAD – Dome Lamp | | | | | | | | | | | |
| | BASE | | 2807099 | 1 | 35, 60, 69, 70, 80 | X | | | | | | |
| | BASE | | 2806962 | 1 | 35, 69, 80 | | X | | X | X | X | |
| | LEAD ASSY. | | 2816582 | 1 | 35, 60, 69, 80 | X | X | | | | | |
| | LEAD ASSY. | | 2824885 | 1 | 70 | X | | | | | | |
| | LEAD ASSY. | | 2816797 | 1 | 35, 69 | | | | X | | X | |
| | LEAD ASSY. | | 2825257 | 1 | 69 | | | | | X | | |
| | LEAD ASSY. – Earth | | 2817464 | 1 | 35, 60, 69, 70, 80 | X | | | | | | |
| | BULB – 12 – 16V. 12 C.P. | | 9414045 | 1 | 35, 60, 69, 70, 80 | X | X | | X | X | X | |
| | TERMINAL & CLIP ASSY. | | 2823410 | 2 | 35, 69 | | | | X | X | X | |
| | TERMINAL – Clip | | 2823409 | 2 | exc. 37 | X | X | | X | X | X | |
| 11.928 | LENS – Dome Lamp | | | | | | | | | | | |
| | LENS | | 2806963 | 1 | 35, 60, 69, 70, 80 | X | X | | X | X | X | |
| 11.940 | LENS, REFLECTOR, LEAD ASSEMBLY, BULB – Quarter Lamp | | | | | | | | | | | |
| | LENS | | 2813866 | 2 | 37 | | X | X | X | | | X |
| | LENS | | 2813866 | 2 | 69 | | | | | X | | |
| | REFLECTOR | | 7731133 | 2 | 37 | | X | X | X | | | X |
| | REFLECTOR | | 7731133 | 2 | 69 | | | | | X | | |
| | LEAD ASSY. – Feed | | 2817465 | 1 | 69 | | | | | X | | |
| | LEAD ASSY. – RH lamp to LH lamp | | 2817466 | 1 | 69 | | | | | X | | |
| | BULB – 12V. .5W – Festoon | | SP1932 | 2 | 37, 69 | | X | X | | X | | X |
| | TERMINAL & CLIP ASSY. | | 2823410 | 2 | 69 | | | | | X | | |
| | TERMINAL – Clip | | 2823409 | 2 | 69 | | | | | X | | |
| 11.950 | SWITCH ASSEMBLY – Courtesy Light | | | | | | | | | | | |
| | BODY – Switch | | 2807323 | 4-2 | ALL | X | X | X | X | X | X | X |
| | SPRING – Courtesy light switch | | 2807324 | 4-2 | ALL | X | X | X | X | X | X | X |
| | PLUNGER – Courtesy light switch | | 2807325 | 4-2 | ALL | X | X | X | X | X | X | X |
| | LEAD ASSY. – Courtesy light switch, Front door | | 2817463 | 1 | 35, 60, 69, 70, 80 | X | X | | X | | X | |
| | LEAD ASSY. – Courtesy light switch, Rear door | | 2817459 | 1 | 35, 69 | | | | X | | X | |
| | LEAD ASSY. – Courtesy lamp switch, Rear door | LH | 2817511 | 1 | 69 | | | | | X | | |
| | | RH | (²² 2817460 | 1 | 69 | | | | | X | | |
| | LEAD ASSY – Courtesy lamp switch, rear door | RH | (²³ 2825256 | 1 | 69 | | | | | X | | |
| | TERMINAL – Courtesy light switch, Rear door | | 2962447 | 1 | 69 | | | | | X | | |
| | SWITCH PACKAGE – Front door | | 2819840 | 1 | 35, 60, 69, 70, 80 | X | | | | | | |
| | HARNESS ASSY. – Footwell light | | 2817554 | 1 | 37 | | X | X | X | | | X |
| | HARNESS ASSY. – Footwell light | | (²⁴ 2817554 | 1 | 69 | | | | | X | | |
| | HARNESS ASSY – Footwell light | | (²⁵ 2825255 | 1 | 69 | | | | | X | | |
| | SOCKET – Footwell light | | 7433411 | 2 | 37 | | X | X | X | | | X |
| | SOCKET – Footwell light | | 7433411 | 2 | 69 | | | | | X | | |
| Note: | (²² Longest lead 87". | | | | | | | | | | | |
| | (²³ Longest lead 67". | | | | | | | | | | | |
| | (²⁴ With lead to light switch. | | | | | | | | | | | |
| | (²⁵ Without lead to light switch. | | | | | | | | | | | |

"HQ" PARTS CATALOGUE

| GROUP | DESCRIPTION | SIDE | PART No. | QTY. | BODY STYLE | 801 802 | 803 804 | 808 | 811 812 | 814 | 815 816 | 818 |
|---|---|------|----------|------|------------|------------|------------|-----|------------|-----|------------|-----|
| 11.950 SWITCH ASSEMBLY – Courtesy Light (contd.) | | | | | | | | | | | | |
| | TERMINAL - Footwell illumination | | 6294206 | 1 | 37, 69 | | X | X | X | X | | .X |
| | BODY - Footwell illumination terminal | | 6294142 | 1 | 37, 69 | | X | X | X | X | | X |
| | GROMMET - Footwell illumination harness | | 7416288 | 4 | 37, 69 | | X | X | X | X | | X |
| | BULB - Footwell illumination | | SP1467 | 2 | 37, 69 | | X | X | X | X | | X |
| | CLIP - Harness | | 7426217 | AR | ALL | X | X | X | X | X | X | X |
| 11.960 LAMP ASSEMBLY – Rear Compartment | | | | | | | | | | | | |
| | BODY - Switch | | 2807323 | 1 | 37, 69 | X | X | X | X | X | X | X |
| | SPRING | | 2807324 | 1 | 37, 69 | X | X | X | X | X | X | X |
| | PLUNGER | | 2807325 | 1 | 37, 69 | X | X | X | X | X | X | X |
| | BRACKET - Switch protecting | | 9929547 | 1 | 37, 69 | X | X | X | X | X | X | |
| | CLIP - Lead to rear quarter | | 7426417 | 2-1 | 37, 69 | X | X | X | X | | | X |
| | LEAD ASSY. | | 2818288 | 1 | 37, 69 | X | X | | | | | |
| | LEAD ASSY. | | 2815662 | 1 | 37 | | | X | X | | | X |
| | LEAD ASSY. - White back up line (optional export only)..... | | 2817462 | 1 | 37, 69 | X | X | | | | | |
| | BODY - Socket | | 2962066 | 1 | 37, 69 | X | X | X | X | X | X | X |
| | BULB - 12-16V., 15 C.P. | | 455490 | 1 | 37, 69 | X | X | X | X | X | X | X |
| | LAMP PACKAGE | | 2818471 | 1 | 37, 69 | X | X | | | | | |
| | LAMP PACKAGE - White back up lens (optional export only) | | 2817636 | 1 | 37, 69 | X | X | | | | | |

"HQ" PARTS CATALOGUE

| GROUP | DESCRIPTION | SIDE | PART No. | QTY. | BODY STYLE | 801 802 | 803 804 | 808 | 811 812 | 814 | 815 816 | 818 |
|--------------------------------------|---|------|----------|------|------------|------------|------------|-----|------------|-----|------------|-----|
| 12.030 ASH TRAY ASSEMBLY | | | | | | | | | | | | |
| | ASH TRAY ASSY. - Front door (exc. power windows) | | 2825811 | 2 | ALL | X | X | X | | | | X |
| | SEAL - Front door ash tray (exc. power windows) | | 2820411 | 2 | ALL | X | X | X | | | | X |
| | CLIP - Front door ash tray retaining (exc. power windows) | | 2820398 | 2 | ALL | X | X | X | | | | X |
| | ASH TRAY ASSY. - Front door armrest | | 2825827 | 2 | ALL | | | | X | X | X | |
| | ASH TRAY ASSY. - Front door armrest (power windows) | | 2825827 | 2 | ALL | | | X | | | | X |
| | ASH TRAY ASSY. - Rear door armrest | | 2825827 | 2 | 69 | | | | X | X | X | |
| | ASH TRAY ASSY. - Front seat back (Bench seat) | | 7431859 | 1 | 35, 69 | X | X | | X | X | X | |
| | ASH TRAY ASSY. - Console, seat separator | | 2825827 | 1 | ALL | X | X | X | X | X | X | X |
| 12.075 MOULDING - Roof reveal | | | | | | | | | | | | |
| | MOULDING - Side, front | LH | 2814969 | 1 | 35 | | X | | X | | | |
| | | RH | 2814970 | 1 | 35 | | X | | X | | | |
| | MOULDING - Side, rear | LH | 2815041 | 1 | 35 | | X | | X | | | |
| | | RH | 2815042 | 1 | 35 | | X | | X | | | |
| | MOULDING - Side | LH | 2815229 | 1 | 37 | | X | X | X | | | X |
| | | RH | 2815228 | 1 | 37 | | X | X | X | | | X |
| | MOULDING - Side SS | LH | 2814017 | 1 | 69 | X | | | | | | |
| | | RH | 2814018 | 1 | 69 | X | | | | | | |
| | MOULDING - Side | LH | 2814017 | 1 | 69 | | X | | X | | | |
| | | RH | 2814018 | 1 | 69 | | X | | X | | | |
| | MOULDING - Side | LH | 2814019 | 1 | 69 | | | | | X | X | |
| | | RH | 2814020 | 1 | 69 | | | | | X | X | |
| | MOULDING - Side | LH | 2819203 | 1 | 80 | | X | | | | | |
| | | RH | 2819202 | 1 | 80 | | X | | | | | |
| 12.112 MOULDING - Front door | | | | | | | | | | | | |
| | MOULDING - Belt SS | LH | 2812929 | 1 | 69 | X | | | | | | |
| | | RH | 2812930 | 1 | 69 | X | | | | | | |
| | PLATE - Moulding anchor SS | | 2815551 | 2 | 69 | X | | | | | | |
| | WASHER - Anchor plate SS | | 7432966 | 2 | 69 | X | | | | | | |
| | CLIP - Moulding (Stud type) SS | | 7438659 | 12 | 69 | X | | | | | | |
| | CLIP - Moulding (Screw type) SS | | 7433488 | AR | 69 | X | | | | | | |
| | MOULDING - Belt | LH | 2812929 | 1 | 35, 69, 80 | | X | | X | X | X | |
| | | RH | 2812930 | 1 | 35, 69, 80 | | X | | X | X | X | |
| | PLATE - Moulding anchor | | 2815551 | 2 | 35, 69, 80 | | X | | X | X | X | |
| | SCREW - Anchor plate | | 190075 | 2 | 35, 69, 80 | | X | | X | X | X | |
| | WASHER - Anchor plate | | 7432966 | 2 | 35, 69, 80 | | X | | X | X | X | |
| | CLIP - Moulding (stud type) | | 7438659 | 12 | 35, 69, 80 | | X | | X | X | X | |
| | CLIP - Moulding (screw type) | | 7433488 | AR | 35, 69, 80 | | X | | X | X | X | |
| | MOULDING - Front scalp | LH | 2816921 | 1 | 69 | | | | | X | | |
| | | RH | 2816920 | 1 | 69 | | | | | X | | |
| | MOULDING - Rear scalp | LH | 2816925 | 1 | 69 | | | | | X | | |
| | | RH | 2816924 | 1 | 69 | | | | | X | | |
| | MOULDING - Upper scalp | LH | 2816923 | 1 | 69 | | | | | X | | |
| | | RH | 2816922 | 1 | 69 | | | | | X | | |
| | MOULDING - Belt | LH | 2815075 | 1 | 37 | | X | X | X | | | X |
| | | RH | 2815074 | 1 | 37 | | X | X | X | | | X |
| | PLATE - Moulding anchor | | 2815551 | 2 | 37 | | X | X | X | | | X |
| | SCREW - Anchor plate | | 190075 | 2 | 37 | | X | X | X | | | X |
| | CLIP - Moulding | | 7433488 | 14 | 37 | | X | X | X | | | X |
| | MOULDING ASSY - Body side | LH | 2822307 | 1 | 35, 69 | X | X | | X | X | X | |
| | | RH | 2822308 | 1 | 35, 69 | X | X | | X | X | X | |
| | RETAINER - Moulding to door | | 2822177 | 2 | 35, 69 | X | X | | X | X | X | |
| | RETAINER - Moulding to door | | 2822342 | 2 | 35, 69 | X | X | | X | X | X | |
| | SCREW - Retainer to door | | 190075 | 4 | 35, 69 | X | X | | X | X | X | |
| | WASHER - Retainer to door | | 7432966 | 4 | 35, 69 | X | X | | X | X | X | |
| | CLIP - Moulding to door | | 2822275 | 6 | 35, 69 | X | X | | X | X | X | |
| | CLIP - Moulding to door | | 2822317 | 4 | 35, 69 | X | X | | X | X | X | |
| | SCREW - Clip to door | | SP2248 | 10 | 35, 69 | X | X | | X | X | X | |
| | MOULDING ASSY - Body side | LH | 2822983 | 1 | 37 | | X | X | X | | | X |
| | | RH | 2822982 | 1 | 37 | | X | X | X | | | X |
| | RETAINER - Moulding to door | | 2822177 | 2 | 37 | | X | X | X | | | X |

"HQ" PARTS CATALOGUE

| GROUP | DESCRIPTION | SIDE | PART No. | QTY. | BODY STYLE | 801 802 | 803 804 | 808 | 811 812 | 814 | 815 816 | 818 |
|---|---|------|----------|------|------------|------------|------------|-----|------------|-----|------------|-----|
| 12.112 MOULDING – Front door (contd.) | | | | | | | | | | | | |
| | RETAINER – Moulding to door | | 2822342 | 2 | 37 | | X | X | X | | | X |
| | SCREW – Retainer to door | | 190075 | 4 | 37 | | X | X | X | | | X |
| | WASHER – Retainer to door | | 7432966 | 4 | 37 | | X | X | X | | | X |
| | CLIP – Moulding to door | | 2822275 | 10 | 37 | | X | X | X | | | X |
| | CLIP – Moulding to door | | 2822317 | 4 | 37 | | X | X | X | | | X |
| | SCREW – Clip to door | | SP2248 | 14 | 37 | | X | X | X | | | X |
| 12.114 MOULDING – Rear door | | | | | | | | | | | | |
| | MOULDING – Belt SS | LH | 2813057 | 1 | 69 | X | | | | | | |
| | | RH | 2813058 | 1 | 69 | X | | | | | | |
| | PLATE – Moulding anchor SS | | 2815551 | 4 | 69 | X | | | | | | |
| | WASHER – Anchor plate SS | | 7432966 | 4 | 69 | X | | | | | | |
| | CLIP – Moulding (Stud type) SS | | 7438659 | 10 | 69 | X | | | | | | |
| | CLIP – Moulding (Screw type) SS | | 7433488 | AR | 69 | X | | | | | | |
| | MOULDING – Belt | LH | 2813057 | 1 | 35, 69 | | X | | X | X | X | |
| | | RH | 2813058 | 1 | 35, 69 | | X | | X | X | X | |
| | PLATE – Moulding anchor | | 2815551 | 4 | 35, 69 | | X | | X | X | X | |
| | SCREW – Anchor plate | | 190075 | 4 | 35, 69 | | X | | X | X | X | |
| | WASHER – Anchor plate | | 7432966 | 4 | 35, 69 | | X | | X | X | X | |
| | CLIP – Moulding (stud type) | | 7438659 | 10 | 35, 69 | | X | | X | X | X | |
| | CLIP – Moulding (screw type) | | 7433488 | AR | 35, 69 | | X | | X | X | X | |
| | MOULDING – Front scalp | LH | 2816927 | 1 | 69 | | | | | X | | |
| | | RH | 2816926 | 1 | 69 | | | | | X | | |
| | MOULDING – Rear scalp | LH | 2816931 | 1 | 69 | | | | | X | | |
| | | RH | 2816930 | 1 | 69 | | | | | X | | |
| | MOULDING – Upper scalp | LH | 2816929 | 1 | 69 | | | | | X | | |
| | | RH | 2816928 | 1 | 69 | | | | | X | | |
| | MOULDING ASSY – Body side | LH | 2822309 | 1 | 35, 69 | X | X | | X | X | X | |
| | | RH | 2822310 | 1 | 35, 69 | X | X | | X | X | X | |
| | RETAINER – Moulding to door | | 2822177 | 2 | 35, 69 | X | X | | X | X | X | |
| | RETAINER – Moulding to door | | 2822343 | 2 | 35, 69 | X | X | | X | X | X | |
| | SCREW – Retainer to door | | 190075 | 2 | 35, 69 | X | X | | X | X | X | |
| | WASHER – Retainer to door | | 7432966 | 2 | 35, 69 | X | X | | X | X | X | |
| | NUT – Retainer to door | | 272733 | 2 | 35, 69 | X | X | | X | X | X | |
| | CLIP – Moulding to door | | 2822275 | 4 | 35, 69 | X | X | | X | X | X | |
| | CLIP – Moulding to door | | 2822317 | 4 | 35, 69 | X | X | | X | X | X | |
| | SCREW – Clip to door | | SP2248 | 8 | 35, 69 | X | X | | X | X | X | |
| 12.116 MOULDING, EMBLEM, NAME PLATE – Rear quarter panel | | | | | | | | | | | | |
| | MOULDING – Upper reveal | LH | 2815315 | 1 | 35 | X | | | | | | |
| | | RH | 2815314 | 1 | 35 | X | | | | | | |
| | MOULDING – Upper reveal | LH | 2815311 | 1 | 35 | | X | | X | | | |
| | | RH | 2815310 | 1 | 35 | | X | | X | | | |
| | CLIP – Moulding (stud type) | | 7434693 | 12 | 35 | X | X | | X | | | |
| | CLIP – Moulding (screw type) | | 7434873 | AR | 35 | X | X | | X | | | |
| | SCREW – Moulding clip | | SP2192 | AR | 35 | X | X | | X | | | |
| | MOULDING – Lower reveal | LH | 2815313 | 1 | 35 | X | | | | | | |
| | | RH | 2815312 | 1 | 35 | X | | | | | | |
| | MOULDING – Lower reveal | LH | 2815309 | 1 | 35 | | X | | X | | | |
| | | RH | 2815308 | 1 | 35 | | X | | X | | | |
| | CLIP – Moulding (stud type) | | 7434693 | 12 | 35 | X | X | | X | | | |
| | CLIP – Moulding (screw type) | | 7434873 | AR | 35 | X | X | | X | | | |
| | SCREW – Moulding clip | | SP2192 | AR | 35 | X | X | | X | | | |
| | MOULDING – Tail lamp reveal | | 2815754 | 2 | 35 | X | | | | | | |
| | MOULDING – Tail lamp reveal | | 2815566 | 2 | 35 | | X | | X | | | |
| | SCREW – Moulding to support | | SP2127 | 4 | 35 | X | X | | X | | | |
| | CLIP – Moulding to support | | 3697750 | 8 | 35 | X | X | | X | | | |
| | MOULDING – Rear wheel opening | LH | 2815653 | 1 | 35 | X | X | | X | | | |
| | | RH | 2815652 | 1 | 35 | X | X | | X | | | |
| | SCREW – Rear wheel opening moulding | | SP2127 | 16 | 35 | X | X | | X | | | |
| | MOULDING – Quarter front | LH | 2819169 | 1 | 35 | | X | | X | | | |
| | | RH | 2819170 | 1 | 35 | | X | | X | | | |
| | CLIP – Moulding (stud type) | | 7438659 | 6 | 35 | | X | | X | | | |

BODY

"HQ" PARTS CATALOGUE

| GROUP | DESCRIPTION | SIDE | PART No. | QTY. | BODY STYLE | 801 802 | 803 804 | 808 | 811 812 | 814 | 815 816 | 818 |
|--|---|------|----------|------|------------|------------|------------|-----|------------|-----|------------|-----|
| 12.116 MOULDING, EMBLEM, NAME PLATE – Rear quarter panel (contd.) | | | | | | | | | | | | |
| | CLIP – Moulding (screw type) | | 7433488 | AR | 35 | | X | | X | | | |
| | SCREW – Moulding clip | | 161755 | AR | 35 | | X | | X | | | |
| | MOULDING – Quarter (two tone) | LH | 2816375 | 1 | 35 | X | X | | | | | |
| | | RH | 2816376 | 1 | 35 | X | X | | | | | |
| | MOULDING – Quarter | LH | 2816375 | 1 | 35 | | | | X | | | |
| | | RH | 2816376 | 1 | 35 | | | | X | | | |
| | MOULDING ASSY – Body side | LH | 2822961 | 1 | 35 | X | X | | X | | | |
| | | RH | 2822962 | 1 | 35 | X | X | | X | | | |
| | SCREW – Moulding to panel | | SP2192 | 2 | 35 | X | X | | X | | | |
| | RETAINER – Moulding to panel | | 2822343 | 2 | 35 | X | X | | X | | | |
| | NUT – Retainer to panel | | 272733 | 2 | 35 | X | X | | X | | | |
| | WASHER – Retainer to panel | | 7429626 | 2 | 35 | X | | | X | | | |
| | MOULDING – Belt | LH | 2815997 | 1 | 37 | | X | X | X | | | X |
| | | RH | 2815998 | 1 | 37 | | X | X | X | | | X |
| | CLIP – Moulding | | 7433488 | 10 | 37 | | X | X | X | | | X |
| | SCREW – Moulding clip | | 161755 | 10 | 37 | | X | X | X | | | X |
| | SCREW – Moulding | | 161373 | 2 | 37 | | X | X | X | | | X |
| | MOULDING – Upper (vinyl) | LH | 2816865 | 1 | 37 | | X | X | X | | | X |
| | | RH | 2816864 | 1 | 37 | | X | X | X | | | X |
| | CLIP – Moulding (stud type) | | 2810747 | 6 | 37 | | X | X | X | | | X |
| | CLIP – Moulding (screw type) | | 7433488 | AR | 37 | | X | X | X | | | X |
| | SCREW – Moulding clip | | 161755 | AR | 37 | | X | X | X | | | X |
| | RETAINER ASSY. – Moulding | | 2815300 | 2 | 37 | | X | X | X | | | X |
| | MOULDING – Rear wheel opening | LH | 2815653 | 1 | 37 | | X | X | X | | | X |
| | | RH | 2815652 | 1 | 37 | | X | X | X | | | X |
| | SCREW – Rear wheel opening moulding | | SP2127 | 16 | 37 | | X | X | X | | | X |
| | MOULDING ASSY – Body side | LH | 2822981 | 1 | 37 | | X | X | X | | | X |
| | | RH | 2822980 | 1 | 37 | | X | X | X | | | X |
| | SCREW – Moulding to panel | | SP2192 | 2 | 37 | | X | X | X | | | X |
| | RETAINER – Moulding to panel | | 2822986 | 2 | 37 | | X | X | X | | | X |
| | NUT – Retainer to panel | | 272733 | 2 | 37 | | X | X | X | | | X |
| | WASHER – Retainer to panel | | 7429626 | 2 | 37 | | X | X | X | | | X |
| | CLIP – Moulding to panel | | 2822276 | 8 | 37 | | X | X | X | | | X |
| | CLIP – Moulding to panel | | 2822275 | 12 | 37 | | X | X | X | | | X |
| | SCREW – Clip to door | | SP2248 | 20 | 37 | | X | X | X | | | X |
| | CAP – Screw | | 7448475 | 6 | 37 | | X | X | X | | | X |
| | TRANSFER – 350 Engine | | 2818748 | 2 | 37 | | | | | | | X |
| | MOULDING – Rear wheel opening | LH | 2815653 | 1 | 69 | X | X | | X | X | X | |
| | | RH | 2815652 | 1 | 69 | X | X | | X | X | X | |
| | SCREW – Rear wheel opening moulding | | SP2127 | 16 | 69 | X | X | | X | X | X | |
| | MOULDING – Upper (two tone, vinyl) | LH | 2815211 | 1 | 69 | X | X | | X | | | |
| | | RH | 2815210 | 1 | 69 | X | X | | X | | | |
| | MOULDING – Upper (two tone, vinyl) | LH | 2815673 | 1 | 69 | | | | | X | X | |
| | | RH | 2815674 | 1 | 69 | | | | | X | X | |
| | CLIP – Moulding (vinyl, stud type) | | 2810747 | 6 | 69 | | X | | X | X | X | |
| | CLIP – Moulding (two tone, stud type) | | 7438659 | 6 | 69 | X | X | | X | | X | |
| | CLIP – Moulding (screw type) | | 7433488 | AR | 69 | X | X | | X | X | X | |
| | SCREW – Moulding clip | | 161755 | AR | 69 | X | X | | X | X | X | |
| | SCREW – Moulding | | 161340 | 2 | 69 | | | | | X | X | |
| | RETAINER – Moulding | | 2815300 | 2 | 69 | X | X | | X | | | |
| | WASHER – Retainer sealing | | 7414611 | 2 | 69 | X | X | | X | | | |
| | TRANSFER – Striping SS | LH | 9929293 | 1 | 69 | X | | | | | | |
| | | RH | 9929294 | 1 | 69 | X | | | | | | |
| | TRANSFER – 350 Engine, 4 Door GTS | | 2818748 | 2 | 69 | | X | | | | | |
| | EMBLEM – "Holden mottf" | | 7434487 | 2 | 69 | | | | X | | | |
| | EMBLEM – Shield | | 2811703 | 2 | 69 | | | | | X | | |
| | EMBLEM – Wreath | | 2808122 | 2 | 69 | | | | | X | | |
| | NUT and SEAL ASSY. – Emblem | | SP2176 | AR | 69 | | | | X | X | | |
| | MOULDING – Tail lamp reveal | | 2814997 | 2 | 69 | | | | | X | X | |
| | SCREW – Moulding to support | | SP2127 | 2 | 69 | | | | | X | X | |
| | CLIP – Moulding to support | | 3697750 | 4 | 69 | | | | | X | X | |
| | MOULDING ASSY – Body side | LH | 2822959 | 1 | 69 | X | X | | X | | | |
| | | RH | 2822960 | 1 | 69 | X | X | | X | | | |
| | SCREW – Moulding to panel | | SP2192 | 2 | 69 | X | X | | X | | | |

"HQ" PARTS CATALOGUE

| GROUP | DESCRIPTION | SIDE | PART No. | QTY. | BODY STYLE | 801 802 | 803 804 | 808 | 811 812 | 814 | 815 816 | 818 |
|--|---|------|------------|------|------------|------------|------------|-----|------------|-----|------------|-----|
| 12.116 MOULDING, EMBLEM, NAME PLATE – Rear quarter panel (contd.) | | | | | | | | | | | | |
| | RETAINER – Moulding to panel | | 2822986 | 2 | 69 | X | X | | X | | | |
| | NUT – Retainer to panel | | 272733 | 2 | 69 | X | X | | X | | | |
| | WASHER – Retainer to panel | | 7429626 | 2 | 69 | X | X | | X | | | |
| | CLIP – Moulding to panel | | 2822276 | 12 | 69 | X | X | | X | | | |
| | SCREW – Clip to panel | | SP2248 | 12 | 69 | X | X | | X | | | |
| | CAP – Screw | | 7448475 | 6 | 69 | X | X | | X | | | |
| | MOULDING ASSY – Body side | LH | 2822311 | 1 | 69 | | | | | X | X | |
| | | RH | 2822312 | 1 | 69 | | | | | X | X | |
| | SCREW – Moulding to panel | | SP2192 | 2 | 69 | | | | X | X | | |
| | RETAINER – Moulding to panel | | 2822343 | 2 | 69 | | | | X | X | | |
| | NUT – Retainer to panel | | 272733 | 2 | 69 | | | | X | X | | |
| | WASHER – Retainer to panel | | 7429626 | 2 | 69 | | | | X | X | | |
| | CLIP – Moulding to panel | | 2822275 | 16 | 69 | | | | X | X | | |
| | SCREW – Clip to panel | | SP2248 | 16 | 69 | | | | X | X | | |
| | CAP – Screw | | 7448475 | 8 | 69 | | | | X | X | | |
| | MOULDING – Rear wheel opening | LH | 2815653 | 1 | 70 | X | | | | | | |
| | | RH | 2815652 | 1 | 70 | X | | | | | | |
| | SCREW – Rear wheel opening moulding | | SP2127 | 16 | 70 | X | | | | | | |
| | MOULDING – Tail lamp reveal | | 2815754 | 2 | 70 | X | | | | | | |
| | SCREW – Moulding to support | | SP2127 | 4 | 70 | X | | | | | | |
| | CLIP – Moulding to support | | 3697750 | 8 | 70 | X | | | | | | |
| | MOULDING – Body side upper | LH | 2819201 | 1 | 80 | | X | | | | | |
| | | RH | 2819200 | 1 | 80 | | X | | | | | |
| | CLIP – Moulding (stud type) | | 7438659 | 6 | 80 | | X | | | | | |
| | CLIP – Moulding (screw type) | | 7433488 | AR | 80 | | X | | | | | |
| | SCREW – Moulding clip | | 161755 | AR | 80 | | X | | | | | |
| | MOULDING – Rear wheel opening | LH | 2815653 | 1 | 80 | X | X | | | | | |
| | | RH | 2815652 | 1 | 80 | X | X | | | | | |
| | SCREW – Rear wheel opening moulding | | SP2127 | 16 | 80 | X | X | | | | | |
| | MOULDING – Tail lamp reveal | | 2815754 | 2 | 80 | X | | | | | | |
| | MOULDING – Tail lamp reveal | | 2815566 | 2 | 80 | | X | | | | | |
| | SCREW – Moulding to support | | SP2127 | 4 | 80 | X | X | | | | | |
| | CLIP – Moulding to support | | 3697750 | 8 | 80 | X | X | | | | | |
| 12.121 MOULDING – Rear end panel | | | | | | | | | | | | |
| | MOULDING | | 2817025 | 2 | 37, 69 | | | | X | | | |
| | MOULDING CLIP PACKAGE | | 2817025CLP | 2 | 37, 69 | | | | X | | | |
| | RETAINER ASSEMBLY | | 2817085 | 4 | 37, 69 | | | | X | | | |
| | WASHER – Retainer sealing | | 7414611 | 4 | 37, 69 | | | | X | | | |
| 12.174 MOULDING – End gate glass opening reveal | | | | | | | | | | | | |
| | MOULDING | LH | 2815579 | 1 | 35 | X | X | | X | | | |
| | | RH | 2815580 | 1 | 35 | X | X | | X | | | |
| | MOULDING – Centre | | 2815581 | 1 | 35 | X | X | | X | | | |
| | CLIP – Moulding | | 2816116 | AR | 35 | X | X | | X | | | |
| | SCREW – Moulding | | SP2127 | AR | 35 | X | X | | X | | | |
| 12.176 MOULDING – End gate opening garnish | | | | | | | | | | | | |
| | MOULDING | LH | 2816021 | 1 | 35 | X | X | | X | | | |
| | | RH | 2816022 | 1 | 35 | X | X | | X | | | |
| | SCREW – Moulding | | 7428243 | 10 | 35 | X | X | | X | | | |
| 12.178 GATE ASSEMBLY – Upper end | | | | | | | | | | | | |
| | GATE ASSEMBLY | | 2815840 | 1 | 70 | X | | | | | | |
| | PANEL – Outer | | 2815837 | 1 | 70 | X | | | | | | |

"HQ" PARTS CATALOGUE

| GROUP | DESCRIPTION | SIDE | PART No. | QTY. | BODY STYLE | 801 802 | 803 804 | 808 | 811 812 | 814 | 815 816 | 818 |
|---------------|--|------|----------|------|------------|------------|------------|-----|------------|-----|------------|-----|
| 12.179 | GATE ASSEMBLY -- Lower end | | | | | | | | | | | |
| | GATE ASSEMBLY | | 2816909 | 1 | 70 | X | | | | | | |
| | GATE ASSEMBLY | | 2816908 | 1 | 80 | X | X | | | | | |
| | GATE ASSEMBLY - (Manual) | | 2814853 | 1 | 35 | X | X | | X | | | |
| | GATE ASSEMBLY - (Electric) | | 2814854 | 1 | 35 | | X | | X | | | |
| | PANEL - End gate outer | | 2815327 | 1 | 70, 80 | X | X | | | | | |
| | PANEL - End gate outer | | 2811807 | 1 | 35 | X | X | | X | | | |
| 12.180 | COVER -- Spare wheel compartment | | | | | | | | | | | |
| | COVER | | 2815467 | 1 | 35 | X | | | | | | |
| | COVER | | 2815468 | 1 | 35 | | X | | X | | | |
| 12.181 | LID ASSEMBLY -- Deck | | | | | | | | | | | |
| | LID ASSEMBLY | | 2813091 | 1 | 37, 69 | X | X | X | X | X | X | X |
| 12.182 | MOULDING, NAME PLATE, EMBLEM -- Deck lid & end gate | | | | | | | | | | | |
| | MOULDING - End gate belt | LH | 2814795 | 1 | 35 | X | X | | X | | | |
| | | RH | 2814796 | 1 | 35 | X | X | | X | | | |
| | MOULDING - End gate belt centre | | 2814794 | 1 | 35 | X | X | | X | | | |
| | CLIP - Moulding | | 2814046 | 8 | 35 | X | X | | X | | | |
| | SCREW - Moulding clip | | 7426400 | 8 | 35 | X | X | | X | | | |
| | SCREW - Moulding to end gate | | SP2192 | 2 | 35 | X | X | | X | | | |
| | MOULDING - End gate centre (two tone) | | 2816316 | 1 | 35 | X | X | | | | | |
| | MOULDING - End gate centre | | 2816316 | 1 | 35 | | X | | X | | | |
| | PLATE - Moulding anchor (two tone) | | 2815551 | 2 | 35 | X | X | | | | | |
| | PLATE - Moulding anchor | | 2815551 | 2 | 35 | | X | | X | | | |
| | WASHER - Centre moulding cup (two tone) | | 7432966 | 2 | 35 | X | X | | | | | |
| | WASHER - Centre moulding cup | | 7432966 | 2 | 35 | | X | | X | | | |
| | SCREW - Pan hd. cr. recess No. 6 - 20 x 3/16" (two tone) | | SP2448 | 2 | 35 | X | X | | | | | |
| | SCREW - Pan hd. cr. recess No. 6 - 20 x 3/16" | | SP2448 | 2 | 35 | | X | | X | | | |
| | CLIP - Moulding (stud type), (two tone) | | 7438659 | 8 | 35 | X | X | | | | | |
| | CLIP - Moulding (stud type) | | 7438659 | 8 | 35 | | X | | X | | | |
| | CLIP - Moulding (screw type), (two tone) | | 7433488 | AR | 35 | X | X | | | | | |
| | CLIP - Moulding (screw type) | | 7433488 | AR | 35 | | X | | X | | | |
| | SCREW - Moulding clip (two tone) | | 161755 | AR | 35 | X | X | | | | | |
| | SCREW - Moulding clip | | 161755 | AR | 35 | | X | | X | | | |
| | MOULDING - End gate lower | | 2816317 | 1 | 35 | | | | X | | | |
| | RETAINER - Lower moulding | | 2814842 | 2 | 35 | | | | X | | | |
| | WASHER - Lower moulding cup | | 7432966 | 2 | 35 | | | | X | | | |
| | CLIP - Moulding (stud type) | | 2814965 | 8 | 35 | | | | X | | | |
| | CLIP - Moulding (screw type) | | 2814966 | AR | 35 | | | | X | | | |
| | SCREW - Moulding clip | | 7436603 | AR | 35 | | | | X | | | |
| | SCREW - Pan hd. cr. recess No. 6 - 20 x 3/16" | | SP2448 | 2 | 35 | | | | X | | | |
| | PLATE - "Belmont" name | | 2814784 | 1 | 35 | X | | | | | | |
| | PLATE - "Kingswood" name | | 2814535 | 1 | 35 | | X | | | | | |
| | PLATE - "Premier" name | | 2814573 | 1 | 35 | | | | X | | | |
| | PLATE - "Tri-matic" name | | 2817175 | 1 | 35 | X | X | | X | | | |
| | PLATE - Engine size name - "202" | | 2816094 | 1 | 35 | X | X | | X | | | |
| | EMBLEM - Engine type - "V8" | | 2819334 | 1 | 35 | X | X | | X | | | |
| | CLIP - Name plate and emblem retaining | | SP1606 | AR | 35 | X | X | | X | | | |
| | MOULDING - Deck lid | | 2814843 | 1 | 37 | | | | X | | | |
| | CLIP - Moulding (stud type) | | 2814965 | 8 | 37 | | | | X | | | |
| | CLIP - Moulding (screw type) | | 2814966 | AR | 37 | | | | X | | | |
| | SCREW - Moulding clip | | 7436603 | AR | 37 | | | | X | | | |
| | SCREW - Pan hd. cr. recess No. 6 - 20 x 3/16" | | SP2448 | 2 | 37 | | | | X | | | |
| | WASHER - Deck lid moulding cup | | 7432966 | 2 | 37 | | | | X | | | |
| | RETAINER - Deck lid moulding | | 2814842 | 2 | 37 | | | | X | | | |
| | PLATE - "Monaro" name (Black) | | 2814805 | 1 | 37 | | X | | | | | |
| | PLATE - "Monaro" name (Red) | | 9930243 | 1 | 37 | | X | | | | | |
| | PLATE - "GTS" name | | 2816559 | 1 | 37 | | | X | | | | |
| | PLATE - "Monaro LS" name | | 2817707 | 1 | 37 | | | | X | | | |
| | PLATE - "Tri-matic" name | | 2817175 | 1 | 37 | | X | X | X | | | |

"HQ" PARTS CATALOGUE

| GROUP | DESCRIPTION | SIDE | PART No. | QTY. | BODY STYLE | 801 802 | 803 804 | 808 | 811 812 | 814 | 815 816 | 818 |
|---|--|------|----------------|------|------------|------------|------------|-----|------------|-----|------------|-----|
| 12.182 MOULDING, NAME PLATE, EMBLEM – Deck lid and end gate (contd.) | | | | | | | | | | | | |
| | PLATE – Engine size name – "202" | | 2816094 | 1 | 37 | | X | | X | | | |
| | EMBLEM – Engine type – "V8" | | 2819334 | 1 | 37 | | X | X | X | | | X |
| | CLIP – Name plate and emblem retaining | | SP1606 | AR | 37 | | X | X | X | | | X |
| | HANDLE PACKAGE – Deck lid lift (accessory) | | 7437015 | 1 | 37 | | X | X | X | | | X |
| | MOULDING – Deck lid | | 2814843 | 1 | 69 | | | | X | | | |
| | MOULDING CLIP PACKAGE | | (*) 2814843CLP | 1 | 35, 37, 69 | | | | X | | | |
| | CLIP – Moulding (stud type) | | 2814965 | 8 | 69 | | | | X | | | |
| | CLIP – Moulding (screw type) | | 2814966 | AR | 69 | | | | X | | | |
| | SCREW – Moulding clip | | 7436603 | AR | 69 | | | | X | | | |
| | SCREW – Pan hd. cr. recess No. 6 – 20 x 1/8" | | SP2448 | 2 | 69 | | | | X | | | |
| | WASHER – Deck lid moulding cup | | 7432966 | 2 | 69 | | | | X | | | |
| | RETAINER – Deck lid moulding | | 2814842 | 2 | 69 | | | | X | | | |
| | TRANSFER – "SS" | | 9928773 | 1 | 69 | | X | | | | | |
| | TRANSFER – Striping SS | | 9928879 | 1 | 69 | | X | | | | | |
| | PLATE – "Belmont" name | | 2814784 | 1 | 69 | | X | | | | | |
| | PLATE – "Kingswood" name | | 2814535 | 1 | 69 | | | X | | | | |
| | PLATE – "GTS" name, 4 Door GTS | | 2816559 | 1 | 69 | | | X | | | | |
| | PLATE – "Premier" name | | 2814573 | 1 | 69 | | | | X | | | |
| | PLATE – "Statesman" name | | 2810210 | 1 | 69 | | | | | X | X | |
| | PLATE – "De Ville" name | | 2817139 | 1 | 69 | | | | | X | | |
| | PLATE – "Tri-matic" name | | 2817175 | 1 | 69 | | X | X | X | | X | |
| | EMBLEM – Shield | | 2816346 | 1 | 69 | | | | | X | | |
| | EMBLEM – Wreath | | 2816345 | 1 | 69 | | | | | X | | |
| | NUT and SEAL ASSY. – Wreath emblem | | SP2176 | 2 | 69 | | | | | X | | |
| | PLATE – Engine size name – "202" | | 2816094 | 1 | 69 | | X | X | X | | X | |
| | EMBLEM – Engine type – "V8" exc. SS | | 2819334 | 1 | 69 | | X | X | X | | X | |
| | CLIP – Name plate and emblem retaining exc. SS | | SP1606 | AR | 69 | | X | X | X | X | X | |
| | HANDLE PACKAGE – Deck lid lift (accessory) | | 7437015 | 1 | 69 | | X | X | X | X | X | |
| | MOULDING – Lower end gate | | 2819199 | 1 | 80 | | | X | | | | |
| | MOULDING CLIP PACKAGE | | 2819199CLP | 1 | 80 | | | X | | | | |
| | PLATE – Moulding anchor | | 7423350 | 2 | 80 | | | X | | | | |
| | CLIP – Moulding (stud type) | | 7438659 | 8 | 80 | | | X | | | | |
| | CLIP – Moulding (screw type) | | 7433488 | AR | 80 | | | X | | | | |
| | SCREW – Moulding clip | | 161755 | AR | 80 | | | X | | | | |
| | SCREW – Moulding | | 159572 | 2 | 80 | | | X | | | | |
| | PLATE – "Belmont" name | | 2814784 | 1 | 70, 80 | | X | | | | | |
| | PLATE – "Kingswood" name | | 2814535 | 1 | 80 | | | X | | | | |
| | PLATE – "Tri-matic" name | | 2817175 | 1 | 70, 80 | | X | X | | | | |
| | PLATE – Engine size name – "202" | | 2816094 | 1 | 70, 80 | | X | X | | | | |
| | EMBLEM – Engine type – "V8" | | 2819334 | 1 | 70, 80 | | X | X | | | | |
| | CLIP – Name plate and emblem retaining | | SP1606 | AR | 70, 80 | | X | X | | | | |
| 12.184 HINGE ASSEMBLY, BRACKET, BRACE – Deck lid and end gate | | | | | | | | | | | | |
| | HINGE – End gate section | LH | 2814533 | 1 | 35 | | X | X | X | | | |
| | | RH | 2814532 | 1 | 35 | | X | X | X | | | |
| | HINGE – Body section | LH | 7433817 | 1 | 35 | | X | X | X | | | |
| | | RH | 7433818 | 1 | 35 | | X | X | X | | | |
| | SCREW – End gate hinge to body | | 7430091 | 6 | 35 | | X | X | X | | | |
| | RIVET – End gate hinge | | 7425610 | 2 | 35 | | X | X | X | | | |
| | HINGE ASSEMBLY – Deck lid | | 2811523 | 2 | 37, 69 | | X | X | X | X | X | X |
| | BRACKET ASSEMBLY – Deck lid hinge mounting | LH | 2811383 | 1 | 37, 69 | | X | X | X | X | | X |
| | | RH | 2811384 | 1 | 37, 69 | | X | X | X | X | | X |
| | BRACKET ASSEMBLY – Deck lid hinge mounting | LH | 2813383 | 1 | 69 | | | | | X | X | |
| | | RH | 2813384 | 1 | 69 | | | | | X | X | |
| | BRACE – Deck lid hinge bracket | | 2812059 | 2 | 37, 69 | | X | X | X | | | X |
| | BRACE – Deck lid hinge bracket | | 2811652 | 2 | 69 | | | | | X | X | |
| | HINGE ASSEMBLY – Upper end gate | | 7420837 | 2 | 70 | | X | | | | | |
| | BOLT and WASHER ASSY. – Hinge to end gate | | SP2013 | 14 | 70 | | X | | | | | |
| | HINGE – Lower, end gate section | | 2816325 | 2 | 70, 80 | | X | X | | | | |
| | HINGE – Lower, body section | | 2816326 | 2 | 70, 80 | | X | X | | | | |
| | SCREW – Lower end gate hinge | | 7430091 | 10 | 70, 80 | | X | X | | | | |
| Note: (*) Suit mouldings 2814843, 2816317. | | | | | | | | | | | | |

"HQ" PARTS CATALOGUE

| GROUP | DESCRIPTION | SIDE | PART No. | QTY. | BODY STYLE | 801 802 | 803 804 | 808 | 811 812 | 814 | 815 816 | 818 |
|---------------|---|------|----------|------|------------|------------|------------|-----|------------|-----|------------|-----|
| 12.186 | PIN – Deck lid and end gate hinge | | | | | | | | | | | |
| | PIN | | 7408627 | 2 | 37, 69 | X | X | X | X | X | X | X |
| | PIN – Upper end gate | | 7415999 | 2 | 70 | X | | | | | | |
| | PIN – Lower end gate | | 7376637 | 2 | 70, 80 | X | X | | | | | |
| 12.187 | ROD – Deck lid and end gate torque | | | | | | | | | | | |
| | ROD – End gate | | 2814679 | 1 | 35 | X | X | | X | | | |
| | RETAINER – Torque rod to body | | 2814588 | 1 | 35 | X | X | | X | | | |
| | RETAINER – Torque rod to end gate | | 2814913 | 1 | 35 | X | X | | X | | | |
| | ROD – Deck lid | LH | 2813387 | 1 | 37, 69 | X | X | X | X | X | X | X |
| | | RH | 2813386 | 1 | 37, 69 | X | X | X | X | X | X | X |
| 12.195 | STRIP – End gate and tonneau floor wear | | | | | | | | | | | |
| | STRIP – End gate (11 $\frac{1}{8}$ ") | | 7449661 | 1 | 35 | X | X | | X | | | |
| | STRIP – End gate (13") | | 7433854 | 6 | 35 | X | X | | X | | | |
| | STRIP – Tonneau front floor filler wear (11 $\frac{1}{8}$ ") | | 2815517 | 7 | 35 | X | X | | X | | | |
| | STRIP – Tonneau front floor wear (14 $\frac{1}{8}$ ") | | 7433036 | 7 | 35 | X | X | | X | | | |
| | STRIP – Tonneau rear floor wear (26 $\frac{1}{8}$ ") | | 2815538 | 1 | 35 | X | X | | X | | | |
| | STRIP – Tonneau rear floor wear (27") | | 2814781 | 6 | 35 | X | X | | X | | | |
| | STRIP – Tonneau front floor filler finish | | 7433090 | 1 | 35 | X | X | | X | | | |
| | STRIP – Tonneau front floor filler finish side | LH | 2815369 | 1 | 35 | X | X | | X | | | |
| | | RH | 2815370 | 1 | 35 | X | X | | X | | | |
| | NUT – Barrel | | 7426194 | AR | 35 | X | X | | X | | | |
| 12.196 | COVER ASSEMBLY – Tonneau | | | | | | | | | | | |
| | COVER ASSEMBLY | | 2822331 | 1 | 80 | X | X | | | | | |
| | CORD ASSEMBLY – Lashing | | 2822332 | 1 | 80 | X | X | | | | | |
| | HOOK – Lashing | | 2816060 | 16 | 80 | X | X | | | | | |
| | PIN – Lashing hook | | 2816058 | 56 | 80 | X | X | | | | | |
| | CLEAT – Lashing | | 2816059 | 2 | 80 | X | X | | | | | |
| | EYELET | | SP1100 | 15 | 80 | X | X | | | | | |
| | WASHER – Eyelet | | SP1101 | 15 | 80 | X | X | | | | | |
| | STUD – No. 10 x .38" | | SP1535 | 7 | 80 | X | X | | | | | |
| | WASHER – Stud insulating | | 862108 | 7 | 80 | X | X | | | | | |
| | SOCKET – Type "D" fastener | | SP2061 | 7 | 80 | X | X | | | | | |
| | PLATE – Socket | | SP2060 | 7 | 80 | X | X | | | | | |
| | SUPPORT – Cover | | 2817390 | 1 | 80 | X | X | | | | | |
| 12.203 | ARM ASSEMBLY – End gate limit | | | | | | | | | | | |
| | ARM ASSEMBLY | LH | 7434369 | 1 | 35 | X | X | | X | | | |
| | | RH | 7434368 | 1 | 35 | X | X | | X | | | |
| | SCREW – Arm to end gate | | 7434580 | 6 | 35 | X | X | | X | | | |
| | ARM ASSEMBLY – Upper end gate hold open | LH | 7420877 | 1 | 70 | X | | | | | | |
| | | RH | 7420876 | 1 | 70 | X | | | | | | |
| | WASHER – Upper inner, plastic | | 7417580 | 2 | 70 | X | | | | | | |
| | WASHER – Upper inner, rubber | | 7417270 | 2 | 70 | X | | | | | | |
| | WASHER – Upper inner, cup | | 7417272 | 2 | 70 | X | | | | | | |
| | SPACER – Upper inner | | 7417271 | 2 | 70 | X | | | | | | |
| | CABLE ASSEMBLY – Lower end gate limit | | 2816259 | 2 | 70, 80 | X | X | | | | | |
| | BOLT – Lower end gate limit cable | | 7427392 | 2 | 70, 80 | X | X | | | | | |
| 12.207 | SPRING – Upper end gate hold open arm | | | | | | | | | | | |
| | SPRING – Lever over centre | LH | 4158117 | 1 | 70 | X | | | | | | |
| | | RH | 4158116 | 1 | 70 | X | | | | | | |
| 12.212 | BUMPER – Deck lid and end gate | | | | | | | | | | | |
| | BUMPER ASSEMBLY – Limit arm | | 7434570 | 4 | 35 | X | X | | X | | | |
| | BUMPER – Sliding glass channel cam | | 7431841 | 2 | 35 | X | X | | X | | | |
| | BUMPER – On striker | | 7417423 | 2 | 35 | X | X | | X | | | |
| | BUMPER ASSEMBLY – Deck lid | | 2811349 | 2 | 37, 69 | X | X | X | X | X | X | X |
| | BUMPER ASSEMBLY – End gate | | 7435417 | 2 | 70, 80 | X | X | | | | | |

"HQ" PARTS CATALOGUE

| GROUP | DESCRIPTION | SIDE | PART No. | QTY. | BODY STYLE | 801 802 | 803 804 | 808 | 811 812 | 814 | 815 816 | 818 |
|---|--|------|----------|------|------------|------------|------------|-----|------------|-----|------------|-----|
| 12.237 STRIKER, PLATE, SPACER – Deck lid and end gate lock | | | | | | | | | | | | |
| | STRIKER – End gate lock | LH | 7424919 | 1 | 35 | X | X | | X | | | |
| | | RH | 7424918 | 1 | 35 | X | X | | X | | | |
| | SCREW | | 7429826 | 6 | 35 | X | X | | X | | | |
| | SPACER – .06" thick | | 7426308 | AR | 35 | X | X | | X | | | |
| | SPACER – 1.25" thick | | 7426309 | AR | 35 | X | X | | X | | | |
| | PLATE – End gate striker tooth | LH | 7424923 | 1 | 35 | X | X | | X | | | |
| | | RH | 7424922 | 1 | 35 | X | X | | X | | | |
| | PLATE – End gate striker adjusting upper | | 7424398 | 2 | 35 | X | X | | X | | | |
| | PLATE – End gate striker adjusting lower | | 4649282 | 2 | 35 | X | X | | X | | | |
| | PLATE – End gate striker anchor | | 7426738 | 2 | 35 | X | X | | X | | | |
| | RETAINER – End gate striker anchor plate | | 7439263 | 2 | 35 | X | X | | X | | | |
| | STRIKER – Deck lid lock | | 2810483 | 1 | 37, 69 | X | X | X | X | X | X | X |
| | REINFORCEMENT ASSY. – Deck lid striker | | 2810916 | 1 | 37, 69 | X | X | X | X | X | X | X |
| | PLATE – Upper end gate striker | | 7420418 | 2 | 70 | X | | | | | | |
| | SPACER – Striker | | 7420492 | AR | 70 | X | | | | | | |
| | PLATE – Lower end gate striker | LH | 2815969 | 1 | 70, 80 | X | X | | | | | |
| | | RH | 2815970 | 1 | 70, 80 | X | X | | | | | |
| | PLATE – Lower end gate striker anchor | | 7427288 | 2 | 70, 80 | X | X | | | | | |
| | RETAINER – Lower end gate striker anchor plate | | 7427306 | 2 | 70, 80 | X | X | | | | | |
| 12.238 CATCH ASSY., HANDLE, RETAINER – Spare wheel compartment cover | | | | | | | | | | | | |
| | CATCH ASSEMBLY | | 2815541 | 1 | 35 | X | X | | X | | | |
| | HANDLE – Catch | | 2815544 | 1 | 35 | X | X | | X | | | |
| | SCREW – Handle to catch, washer hd. No. 10 – 24 | | SP2056 | 1 | 35 | X | X | | X | | | |
| | RETAINER – Front | | 7433398 | 2 | 35 | X | X | | X | | | |
| 12.240 BUMPER – End gate anti-rattle | | | | | | | | | | | | |
| | BUMBER | | 7419355 | 2 | 70, 80 | X | X | | | | | |
| 12.241 ROD, PLUNGER, GUIDE, SPRING – End gate lock | | | | | | | | | | | | |
| | ROD – Remote control | | 2814585 | 2 | 35 | X | X | | X | | | |
| | CLIP – Control rod to end gate anti-rattle | | 4110664 | 1 | 35 | X | X | | X | | | |
| | CLIP – Control rod to end gate lock anti-rattle | | 4576655 | 4 | 35 | X | X | | X | | | |
| | SILENCER – Remote control rod, right side | | 7408725 | 1 | 35 | X | X | | X | | | |
| | PLUNGER ASSY. – Upper end gate lock | | 7420419 | 2 | 70 | X | | | | | | |
| | GUIDE – Upper lock plunger | | 7407782 | 2 | 70 | X | | | | | | |
| | PLUNGER ASSY. – Lower end gate lock | | 7436018 | 2 | 70, 80 | X | X | | | | | |
| | GUIDE – Lower lock plunger | LH | 7418625 | 1 | 70, 80 | X | X | | | | | |
| | | RH | 7418624 | 1 | 70, 80 | X | X | | | | | |
| | SPRING – Lock bar | | 7407811 | 2-4 | 70, 80 | X | X | | | | | |
| | CLIP – Lock bar | | 7402119 | 2-4 | 70, 80 | X | X | | | | | |
| 12.242 LOCK ASSEMBLY, CONTROL, SPRING, PLATE – Deck lid and end gate | | | | | | | | | | | | |
| | LOCK ASSEMBLY – End gate | LH | 7433977 | 1 | 35 | X | X | | X | | | |
| | | RH | 7433976 | 1 | 35 | X | X | | X | | | |
| | SPRING – End gate lock trip lever | LH | 7424915 | 1 | 35 | X | X | | X | | | |
| | | RH | 7424914 | 1 | 35 | X | X | | X | | | |
| | SCREW & WASHER – ¼" – 20 x .50" oval hd. cr. rec. | | SP2350 | 6 | 35 | X | X | | X | | | |
| | CONTROL ASSY. – End gate remote | | 7434260 | 1 | 35 | X | X | | X | | | |
| | LOCK ASSEMBLY – Deck lid | | 7421890 | 1 | 37, 69 | X | X | X | X | X | X | X |
| | PLATE – Deck lid lock anchor | | 2810326 | 1 | 37, 69 | X | X | X | X | X | X | X |
| | PLATE & ARM ASSY. – Upper end gate lock base | | 7413722 | 1 | 70 | X | | | | | | |
| | PLATE – Upper end gate locking | | 7413721 | 1 | 70 | X | | | | | | |
| | PLATE – End gate lock cover | | 7435941 | 1 | 70, 80 | X | X | | | | | |
| | PLATE ASSY. – Lower end gate lock base | | 7436017 | 1 | 70, 80 | X | X | | | | | |
| 12.243 REAR COMPARTMENT LID LOCK RELEASE PACKAGE | | | | | | | | | | | | |
| | PACKAGE | | 2824613 | 1 | 37, 69 | X | X | X | X | X | X | X |
| | CONNECTOR – Vacuum pipe, Air Cond. | | 9930241 | 1 | 37, 69 | X | X | X | X | X | X | X |

"HQ" PARTS CATALOGUE

| GROUP | DESCRIPTION | SIDE | PART No. | QTY. | BODY STYLE | 801 802 | 803 804 | 808 | 811 812 | 814 | 815 816 | 818 |
|---|--|------|----------|------|------------|------------|------------|-----|------------|-----|------------|-----|
| 12.247 HANDLE ASSEMBLY & COMPONENTS – End gate | | | | | | | | | | | | |
| | HANDLE ASSY., LESS BARREL & KEY – Window regulator | | 7426873 | 1 | 35 | X | X | | X | | | |
| | HANDLE – Window regulator | | 7429199 | 1 | 35 | X | X | | X | | | |
| | CLIP – Handle hold open | | 7429682 | 1 | 35 | X | X | | X | | | |
| | RIVET – Oval hd. tubular 1/8" x 1/4" | | SP1143 | 1 | 35 | X | X | | X | | | |
| | PIN – Window regulator handle hinge | | 7426095 | 1 | 35 | X | X | | X | | | |
| | DRIVER – Window regulator handle | | 7430719 | 1 | 35 | X | X | | X | | | |
| | RING – Window regulator handle driver retainer | | 7426098 | 1 | 35 | X | X | | X | | | |
| | CLUTCH – Window regulator handle | | 7426101 | 1 | 35 | X | X | | X | | | |
| | RING – Window regulator handle clutch retainer | | 7426103 | 1 | 35 | X | X | | X | | | |
| | WASHER – Window regulator handle spring | | 7426190 | 1 | 35 | X | X | | X | | | |
| | HANDLE – Remote control | | 7435141 | 1 | 35, 70, 80 | X | X | | X | | | |
| | HANDLE ASSY. – Upper end gate | | 7411267 | 1 | 70 | X | | | | | | |
| | FERRULE ASSY. – Upper end gate handle | | 7402384 | 1 | 70 | X | | | | | | |
| 12.248 BARREL & KEY ASSEMBLY – Deck lid and end gate | | | | | | | | | | | | |
| | BARREL & KEY ASSY. – Window regulator outer handle lock (coded) (manual) | | 2816620 | 1 | 35 | X | X | | X | | | |
| | LOCK SERVICE PACKAGE – Window regulator handle (uncoded) (manual) | | M37123 | 1 | 35 | X | X | | X | | | |
| | PAWL – Window regulator lock cylinder (manual) | | 7426099 | 1 | 35 | X | X | | X | | | |
| | SPRING – Window regulator lock cylinder pawl (manual) | | 7426100 | 1 | 35 | X | X | | X | | | |
| | BARREL, KEY & SWITCH ASSY. – Window switch (coded) (electric) | | 2816621 | 1 | 35 | | X | | X | | | |
| | LOCK SERVICE PACKAGE – Window switch (uncoded) (electric) | | M37126 | 1 | 35 | X | X | | X | | | |
| | BARREL & KEY ASSY. – Deck lid (coded) | | 2815103 | 1 | 37, 69 | X | X | X | X | X | X | X |
| | LOCK SERVICE PACKAGE – Deck lid, (uncoded) | | M37125 | 1 | 37, 69 | X | X | X | X | X | X | |
| | GASKET – Deck lid lock cylinder | | 4780518 | 1 | 37, 69 | X | X | X | X | X | X | X |
| | RETAINER – Deck lid lock cylinder | | 7432669 | 1 | 37, 69 | X | X | X | X | X | X | X |
| | GASKET – Lock cylinder retainer | | 7432672 | 1 | 37, 69 | X | X | X | X | X | X | X |
| | SCREW – Retainer to inner panel | | 7426400 | 2 | 37, 69 | X | X | X | X | X | X | X |
| | TUMBLER – No. 1 (Package of 100) | | 3901061 | 1 | 35, 37, 69 | X | X | X | X | X | X | X |
| | TUMBLER – No. 2 (Package of 100) | | 3901062 | 1 | 35, 37, 69 | X | X | X | X | X | X | X |
| | TUMBLER – No. 3 (Package of 100) | | 3901063 | 1 | 35, 37, 69 | X | X | X | X | X | X | X |
| | TUMBLER – No. 4 (Package of 100) | | 3901064 | 1 | 35, 37, 69 | X | X | X | X | X | X | X |
| | TUMBLER – No. 5 (Package of 100) | | 3901065 | 1 | 35, 37, 69 | X | X | X | X | X | X | X |
| | BARREL & KEY ASSY. – End gate handle (coded) | | 2816712 | 1 | 70 | X | | | | | | |
| 12.249 ESCUTCHEON, CLIP, GASKET – End gate | | | | | | | | | | | | |
| | ESCUTCHEON – Window regulator handle (manual) | | 7426096 | 1 | 35 | X | X | | X | | | |
| | CLIP – Window regulator handle escutcheon (manual) | | 7426097 | 2 | 35 | X | X | | X | | | |
| | GASKET – Window regulator handle (manual) | | 7426875 | 1 | 35 | X | X | | X | | | |
| | ESCUTCHEON – Window lock cylinder (electric) | | 2816693 | 1 | 35 | | X | | X | | | |
| | GASKET – Window lock cylinder escutcheon | | 7426879 | 1 | 35 | | X | | X | | | |
| 12.269 WEATHERSTRIP – Deck lid & end gate | | | | | | | | | | | | |
| | WEATHERSTRIP – End gate | | 2814930 | 1 | 35 | X | X | | X | | | |
| | WEATHERSTRIP – Deck lid | | 2812216 | 1 | 37, 69 | X | X | X | X | X | X | X |
| | WEATHERSTRIP – Upper end gate | | 2816148 | 1 | 70 | X | | | | | | |
| | WEATHERSTRIP – Lower end gate | | 2816489 | 1 | 70 | X | | | | | | |
| 12.270 RETAINER – End gate weatherstrip | | | | | | | | | | | | |
| | RETAINER | | 2813972 | 1 | 35 | X | X | | X | | | |
| | RETAINER – Side | LH | 2813545 | 1 | 35 | X | X | | X | | | |
| | | RH | 2813544 | 1 | 35 | X | X | | X | | | |

"HQ" PARTS CATALOGUE

| GROUP | DESCRIPTION | SIDE | PART No. | QTY. | BODY STYLE | 801 802 | 803 804 | 808 | 811 812 | 814 | 815 816 | 818 |
|---|--|------|----------|------|------------|------------|------------|-----|------------|-----|------------|-----|
| 12.272 REGULATOR, SPRING, DRIVER – End gate window | | | | | | | | | | | | |
| | REGULATOR - (manual) | | 7434610 | 1 | 35 | X | X | | X | | | |
| | SPRING - Regulator clutch (manual) | | 4157887 | 1 | 35 | X | X | | X | | | |
| | DRIVER - Regulator (manual) | | 7426453 | 1 | 35 | X | X | | X | | | |
| | REPAIR KIT - Regulator (manual) | | 7436921 | 1 | 35 | X | X | | X | | | |
| | REGULATOR - (electric) | | 7434634 | 1 | 35 | | X | | X | | | |
| | PLATE & BUSHING ASSY. - Regulator sector (electric) | | 5718404 | 1 | 35 | | X | | X | | | |
| | SPRING - Regulator centre balance | | 7426600 | 1 | 35 | X | X | | X | | | |
| | PIN - Regulator lift | | 4158246 | 2 | 35 | X | X | | X | | | |
| | ROLLER - Regulator | | 4158245 | 2 | 35 | X | X | | X | | | |
| 12.273 SUPPORT ASSEMBLY – End gate window regulator | | | | | | | | | | | | |
| | SUPPORT ASSEMBLY | | 2814042 | 1 | 35 | X | X | | X | | | |
| 12.275 SWITCH ASSEMBLY – End gate window (Electric) | | | | | | | | | | | | |
| | SWITCH ASSY. - Window regulator instrument panel | | 2816901 | 1 | 35 | | X | | X | | | |
| | SPRING - Window switch retaining | | 2816992 | 1 | 35 | | X | | X | | | |
| | SWITCH ASSY. - Window winder safety | | 4493796 | 1 | 35 | | X | | X | | | |
| 12.276 BREAKER ASSEMBLY – End gate window circuit (Electric) | | | | | | | | | | | | |
| | BREAKER ASSY. | | 1476675 | 1 | 35 | | X | | X | | | |
| 12.277 HARNESS ASSEMBLY, SLEEVE, CLIP – End gate window regulator (Electric) | | | | | | | | | | | | |
| | HARNESS ASSY. - Centre | | 2817403 | 1 | 35 | | X | | X | | | |
| | BODY - 2 way male connector | | 2977763 | 1 | 35 | | X | | X | | | |
| | HARNESS ASSY. - Rear | | 2814889 | 1 | 35 | | X | | X | | | |
| | BODY - 3 way female terminal connector | | 2977673 | 1 | 35 | | X | | X | | | |
| | BODY - 3 way female connector | | 2971627 | 1 | 35 | | X | | X | | | |
| | BODY - Male connector | | 2962984 | 2 | 35 | | X | | X | | | |
| | SLEEVE - Window harness | | 2817473 | 1 | 35 | | X | | X | | | |
| | CLIP - Rear harness | | 7401651 | 3 | 35 | | X | | X | | | |
| | CLIP - Rear harness | | 7432906 | 1 | 35 | | X | | X | | | |
| | RELAY ASSEMBLY | | 2818403 | 1 | 35 | | X | | X | | | |
| | LEAD ASSY. - Relay to fuse panel | | 2817475 | 1 | 35 | | X | | X | | | |
| | LEAD ASSY. - Control to fuse panel | | 2817474 | 1 | 35 | | X | | X | | | |
| | LEAD ASSY. - End gate, side windows | | 2817476 | 1 | 35 | | X | | X | | | |
| 12.280 MOTOR ASSEMBLY – End gate window regulator (Electric) | | | | | | | | | | | | |
| | MOTOR ASSEMBLY | | 5045366 | 1 | 35 | | X | | X | | | |
| | ARMATURE | | 4917375 | 1 | 35 | | X | | X | | | |
| | BOLT - Through | | 4916380 | 2 | 35 | | X | | X | | | |
| | BRUSH | | 4918916 | 2 | 35 | | X | | X | | | |
| | SPRING - Brush | | 4904213 | 2 | 35 | | X | | X | | | |
| | BRUSH HOLDER & CIRCUIT BREAKAGE PKG. | | 4905337 | 1 | 35 | | X | | X | | | |
| | GEAR & PINION PACKAGE | | 4913821 | 1 | 35 | | X | | X | | | |
| | PLUG - Thrust | | 5098080 | 1 | 35 | | X | | X | | | |
| | SCREW - Adjusting | | 4917377 | 1 | 35 | | X | | X | | | |
| 12.428 RAIL ASSEMBLY – Body side | | | | | | | | | | | | |
| | RAIL | LH | 2816141 | 1 | 70 | | X | | | | | |
| | | RH | 2816142 | 1 | 70 | | X | | | | | |
| | RAIL ASSEMBLY | LH | 2816139 | 1 | 80 | | X | X | | | | |
| | | RH | 2816140 | 1 | 80 | | X | X | | | | |

BODY

"HQ" PARTS CATALOGUE

| GROUP | DESCRIPTION | SIDE | PART No. | QTY. | BODY STYLE | 801 802 | 803 804 | 808 | 811 812 | 814 | 815 816 | 818 |
|--|---|------|-----------|------|------------|------------|------------|-----|------------|-----|------------|-----|
| 12.491 PANEL ASSEMBLY, PILLAR ASSEMBLY – Centre & door lock striker | | | | | | | | | | | | |
| | PANEL ASSY. – Centre pillar | LH | 2810961 | 1 | 35, 69 | X | X | | X | X | X | |
| | | RH | 2810960 | 1 | 35, 69 | X | X | | X | X | X | |
| | PLUG – Belt hole sealing | | 7419554 | 4 | 35, 69 | X | X | | X | X | X | |
| | PILLAR ASSY. – Door lock striker | LH | 2816167 | 1 | 60, 70, 80 | X | X | | | | | |
| | | RH | 2816168 | 1 | 60, 70, 80 | X | X | | | | | |
| 12.580 FLOOR – Tonneau | | | | | | | | | | | | |
| | FLOOR | | 2814782 | 1 | 35 | X | | | | | | |
| | FLOOR | | 2814730 | 1 | 35 | | X | | X | | | |
| | WASHER – Finish No. 10 | | SP1462 | 2 | 35 | | X | | X | | | |
| | FLOOR – Front | | 2816121 | 1 | 70 | X | | | | | | |
| | FLOOR – Front | | 2816122 | 1 | 80 | X | X | | | | | |
| | FLOOR – Centre | | 2816987 | 1 | 70, 80 | X | X | | | | | |
| | FLOOR – Rear | | 2816988 | 1 | 70, 80 | X | X | | | | | |
| | LACE – Front floor finishing | | 2815016BA | 1 | 70 | X | | | | | | |
| 12.581 HINGE ASSEMBLY – Tonneau floor front filler | | | | | | | | | | | | |
| | HINGE ASSEMBLY | | 2815256 | 1 | 35 | X | X | | X | | | |
| 12.582 FILLER – Tonneau floor front | | | | | | | | | | | | |
| | FILLER | | 2822721 | 1 | 35 | X | | | | | | |
| | FILLER | | 2815301 | 1 | 35 | | X | | X | | | |
| 12.582 FILLER ASSY. – Tonneau floor front | | | | | | | | | | | | |
| | TRIM Nos. 10E, 10G, 10H, 10R, 10T, 10U, 28E, 28H, 28R, 28U | | 2815885BA | 1 | 35 | | X | | X | | | |
| | TRIM Nos. 11E, 11G, 11R, 11T | | 2815885CA | 1 | 35 | | X | | X | | | |
| | TRIM Nos. 12E, 12R, 22E, 22R | | 2815885CB | 1 | 35 | | X | | X | | | |
| | TRIM Nos. 14E, 14R, 24E, 24R | | 2815885CD | 1 | 35 | | X | | X | | | |
| | TRIM Nos. 16E, 16G, 16R, 16T | | 2815885CE | 1 | 35 | | X | | X | | | |
| | TRIM Nos. 18E, 18H, 18R, 18U | | 2815885CH | 1 | 35 | | X | | X | | | |
| | TRIM Nos. 19E, 19G 19R, 19T, 21E, 21G, 21R, 21T | | 2815885CJ | 1 | 35 | | X | | X | | | |
| | TRIM Nos. 30E, 30G, 30H, 30R, 30T | | 2815885CY | 1 | 35 | | X | | X | | | |
| | TRIM Nos. 32E, 32R | | 2815885DA | 1 | 35 | | X | | X | | | |
| | TRIM Nos. 34E, 34G, 34R, 34T | | 2815885DB | 1 | 35 | | X | | X | | | |
| | TRIM Nos. 35E, 35G, 35R | | 2815885DD | 1 | 35 | | X | | X | | | |
| | TRIM Nos. 36E, 36G, 36R, 36T | | 2815885DE | 1 | 35 | | X | | X | | | |
| | TRIM Nos. 38E, 38G, 38R, 38T, 39E, 39G, 39R, 39T | | 2815885DG | 1 | 35 | | X | | X | | | |
| 12.801 SEPARATOR, BRACKET, LID & PAD – Front seat | | | | | | | | | | | | |
| | SEPARATOR | | 2815975BA | 1 | ALL | X | X | | X | X | X | |
| | BRACKET – Separator mounting | | 2815991 | 1 | ALL | X | X | | X | X | X | |
| | SCREW – Separator to floor | | SP2251 | 2 | ALL | X | X | | X | X | X | |
| | LID & PAD ASSY. – Seat separator | | 2815977 | 1 | ALL | X | X | | X | X | X | |
| 12.802 HINGE, PIN – Front seat separator lid | | | | | | | | | | | | |
| | HINGE ASSEMBLY | | 2815987 | 1 | ALL | X | X | | X | X | X | |
| | SCREW – Hinge | | 7428243 | 4 | ALL | X | X | | X | X | X | |
| | PIN – Hinge | | 2815990 | 1 | ALL | X | X | | X | X | X | |
| 12.803 COWL ASSEMBLY – Body front end | | | | | | | | | | | | |
| | COWL ASSEMBLY | | 2814364 | 1 | Exc. 37 | X | X | | X | X | X | |
| | COWL ASSEMBLY | | 2814365 | 1 | 37 | | X | X | X | | | X |
| | PANEL ASSY. – Plenum chamber | | 2812048 | 1 | ALL | X | X | X | X | X | X | X |
| | OUTLET ASSY. – Plenum chamber (exc. Air Cond) | LH | 2814545 | 1 | ALL | X | X | X | X | X | X | X |
| | | RH | 2814544 | 1 | ALL | X | X | X | X | X | X | X |

"HQ" PARTS CATALOGUE

| GROUP | DESCRIPTION | SIDE | PART No. | QTY. | BODY STYLE | 801 802 | 803 804 | 808 | 811 812 | 814 | 815 816 | 818 |
|---|---|------|----------|------|------------|------------|------------|-----|------------|-----|------------|-----|
| 12.803 COWL ASSEMBLY – Body front end (contd.) | | | | | | | | | | | | |
| | SEAL - Plenum chamber outlet (Exc. Air Cond.) | LH | 2823197 | 1 | ALL | X | X | X | X | X | X | X |
| | | RH | 2823196 | 1 | ALL | X | X | X | X | X | X | X |
| | COVER - Heater opening (without heater) | | 2812737 | 1 | ALL | X | X | X | X | X | X | X |
| | PLUG - Dash sealing (nylon), (A) | | SP2250 | 2 | ALL | X | X | X | X | X | X | X |
| | PLUG - Dash sealing (nylon), (M) 350 Eng. | | SP2250 | 2 | 37 | | | | | | | X |
| | SEAL - Dash panel (rubber), (A) 350 Eng. | | 2819283 | 1 | ALL | | | | X | X | X | X |
| | PLUG - Choke control hole, 253, 308, 350 Eng. | | SP1495 | 1 | ALL | X | X | X | X | X | X | X |
| 12.804 PANEL ASSEMBLY – Dash | | | | | | | | | | | | |
| | PANEL ASSEMBLY | | 2810846 | 1 | ALL | X | X | X | X | X | X | X |
| 12.805 PILLAR ASSEMBLY – Front body | | | | | | | | | | | | |
| | PILLAR ASSEMBLY | LH | 2813273 | 1 | Exc. 37 | X | X | | X | X | X | |
| | | RH | 2813274 | 1 | Exc. 37 | X | X | | X | X | X | |
| | PILLAR ASSEMBLY | LH | 2813639 | 1 | 37 | | X | X | X | | | X |
| | | RH | 2813640 | 1 | 37 | | X | X | X | | | X |
| 12.805 PANEL ASSEMBLY – Cowl top | | | | | | | | | | | | |
| | PANEL ASSEMBLY | | 2812017 | 1 | ALL | X | X | X | X | X | X | X |
| 12.807 FRAME – Windshield | | | | | | | | | | | | |
| | FRAME | | 2810346 | 1 | Exc. 37 | X | X | | X | X | X | |
| | FRAME | | 2812717 | 1 | 37 | | X | X | X | | | X |
| 12.810 PANEL – Roof | | | | | | | | | | | | |
| | ROOF ASSEMBLY | | 2818203 | 1 | 35 | X | X | | X | | | |
| | ROOF ASSEMBLY | | 2818200 | 1 | 37 | | X | X | X | | | X |
| | ROOF ASSEMBLY | | 2818201 | 1 | 69 | X | X | | X | | | |
| | ROOF ASSEMBLY | | 2818202 | 1 | 69 | | | | | X | X | |
| | ROOF ASSEMBLY | | 2820116 | 1 | 70 | X | | | | | | |
| | ROOF ASSEMBLY | | 2820115 | 1 | 60, 80 | X | X | | | | | |
| 12.810 COVER – Roof panel | | | | | | | | | | | | |
| | COVER ASSY. - Black vinyl (prior to 1 March 1973) | | 2820169 | 1 | 37 | | X | X | X | | | X |
| | COVER ASSY. - Antique brown vinyl | | 2820269 | 1 | 37 | | X | X | X | | | X |
| | COVER ASSY. - Antique saddle vinyl | | 2820268 | 1 | 37 | | X | X | X | | | X |
| | COVER ASSY - Flax vinyl | | 2825089 | 1 | 37 | | X | X | X | | | X |
| | COVER ASSY - Black vinyl (from 1 March 1973) | | 9930245 | 1 | 37 | | X | X | X | | | X |
| | COVER ASSY - Ash vinyl | | 9930253 | 1 | 37 | | X | X | X | | | X |
| | COVER ASSY - Chestnut vinyl | | 9930252 | 1 | 37 | | X | X | X | | | X |
| | COVER ASSY - Doeskin vinyl | | 9930254 | 1 | 37 | | X | X | X | | | X |
| | COVER ASSY - Juniper vinyl | | 9930255 | 1 | 37 | | X | X | X | | | X |
| | RETAINER - Roof panel cover | LH | 2817657 | 1 | 37 | | X | X | X | | | X |
| | | RH | 2817658 | 1 | 37 | | X | X | X | | | X |
| | COVER ASSY. - Black vinyl (prior to 1 March 1973) | | 2819633 | 1 | 69 | | X | | X | | | |
| | COVER ASSY. - Antique brown vinyl | | 2819635 | 1 | 69 | | X | | X | | | |
| | COVER ASSY. - Antique saddle vinyl | | 2819634 | 1 | 69 | | X | | X | | | |
| | COVER ASSY - Flax vinyl | | 2825088 | 1 | 69 | | X | | X | | | |
| | COVER ASSY - Black vinyl (from 1 March 1973) | | 9930244 | 1 | 69 | | X | | X | | | |
| | COVER ASSY - Ash vinyl | | 9930249 | 1 | 69 | | X | | X | | | |
| | COVER ASSY - Chestnut vinyl | | 9930248 | 1 | 69 | | X | | X | | | |
| | COVER ASSY - Doeskin vinyl | | 9930250 | 1 | 69 | | X | | X | | | |
| | COVER ASSY - Juniper vinyl | | 9930251 | 1 | 69 | | X | | X | | | |
| | RETAINER - Roof panel cover | LH | 2815847 | 1 | 69 | | X | | X | | | |
| | | RH | 2815846 | 1 | 69 | | X | | X | | | |
| | COVER ASSY. - Black vinyl (prior to 1 March 1973) | | 2820233 | 1 | 69 | | | | | X | X | |
| | COVER ASSY. - Antique brown vinyl | | 2820235 | 1 | 69 | | | | | X | X | |
| | COVER ASSY. - Antique saddle vinyl | | 2820234 | 1 | 69 | | | | | X | X | |
| | COVER ASSY - Flax vinyl | | 2825087 | 1 | 69 | | | | | X | X | |
| | COVER ASSY - Black vinyl (from 1 March 1973) | | 9930246 | 1 | 69 | | | | | X | X | |

BODY

"HQ" PARTS CATALOGUE

| GROUP | DESCRIPTION | SIDE | PART No. | QTY. | BODY STYLE | 801 802 | 803 804 | 808 | 811 812 | 814 | 815 816 | 818 |
|---|--|------|----------|------|------------|------------|------------|-----|------------|-----|------------|-----|
| 12.810 COVER – Roof panel (contd.) | | | | | | | | | | | | |
| | COVER ASSY – Ash vinyl | | 9930257 | 1 | 69 | | | | | X | X | |
| | COVER ASSY – Chestnut vinyl | | 9930256 | 1 | 69 | | | | | X | X | |
| | COVER ASSY – Doeskin vinyl | | 9930258 | 1 | 69 | | | | | X | X | |
| | COVER ASSY – Juniper vinyl | | 9930259 | 1 | 69 | | | | | X | X | |
| | RETAINER – Roof panel cover | LH | 2815849 | 1 | 69 | | | | | X | X | |
| | | RH | 2815848 | 1 | 69 | | | | | X | X | |
| 12.811 GUTTER – Roof drip | | | | | | | | | | | | |
| | GUTTER – Side | LH | 2812093 | 1 | 35 | X | X | | X | | | |
| | | RH | 2812092 | 1 | 35 | X | X | | X | | | |
| | GUTTER – Rear | LH | 2813389 | 1 | 35 | X | X | | X | | | |
| | | RH | 2813388 | 1 | 35 | X | X | | X | | | |
| | GUTTER – Side | LH | 2813397 | 1 | 37 | | X | X | X | | | X |
| | | RH | 2813398 | 1 | 37 | | X | X | X | | | X |
| | GUTTER – Side | LH | 2810547 | 1 | 69 | X | X | | X | | | |
| | | RH | 2810546 | 1 | 69 | X | X | | X | | | |
| | GUTTER – Side | LH | 2811805 | 1 | 69 | | | | | X | X | |
| | | RH | 2811804 | 1 | 69 | | | | | X | X | |
| | GUTTER – Rear exc. SS | LH | 2812641 | 1 | 69 | X | | | | | | |
| | | RH | 2812640 | 1 | 69 | X | | | | | | |
| | GUTTER – Rear SS | LH | 2812639 | 1 | 69 | X | | | | | | |
| | | RH | 2812638 | 1 | 69 | X | | | | | | |
| | GUTTER – Rear | LH | 2812639 | 1 | 69 | | X | | X | | | |
| | | RH | 2812638 | 1 | 69 | | X | | X | | | |
| | GUTTER – Rear | LH | 2812971 | 1 | 69 | | | | | X | X | |
| | | RH | 2812972 | 1 | 69 | | | | | X | X | |
| | GUTTER – Side | LH | 7427505 | 1 | 70 | X | | | | | | |
| | | RH | 7427504 | 1 | 70 | X | | | | | | |
| | GUTTER – Door opening | LH | 2815727 | 1 | 70 | X | | | | | | |
| | | RH | 2815728 | 1 | 70 | X | | | | | | |
| | GUTTER – Door opening, front | LH | 2816135 | 1 | 70 | X | | | | | | |
| | | RH | 2816136 | 1 | 70 | X | | | | | | |
| | GUTTER – Door opening, rear | LH | 2816137 | 1 | 70 | X | | | | | | |
| | | RH | 2816138 | 1 | 70 | X | | | | | | |
| | SCREW – Gutter to body | | SP2251 | 8 | 70 | X | | | | | | |
| | GUTTER – Side | LH | 2816361 | 1 | 60, 80 | X | X | | | | | |
| | | RH | 2816360 | 1 | 60, 80 | X | X | | | | | |
| 12.895 DOOR ASSEMBLY – Front less glass, trim & hardware | | | | | | | | | | | | |
| | DOOR ASSEMBLY | LH | 2814755 | 1 | Exc. 37 | X | X | | | | | |
| | | RH | 2814754 | 1 | Exc. 37 | X | X | | | | | |
| | DOOR ASSEMBLY – Exc. power windows | LH | 2814757 | 1 | 35, 69 | | | | X | X | X | |
| | | RH | 2814758 | 1 | 35, 69 | | | | X | X | X | |
| | DOOR ASSEMBLY – Power windows | LH | 2814759 | 1 | 35, 69 | | | | X | X | X | |
| | | RH | 2814758 | 1 | 35, 69 | | | | X | X | X | |
| | DOOR ASSEMBLY – Exc. power windows | LH | 2814761 | 1 | 37 | | X | X | | | | X |
| | | RH | 2814760 | 1 | 37 | | X | X | | | | X |
| | DOOR ASSEMBLY – Exc. power windows | LH | 2816631 | 1 | 37 | | | | X | | | |
| | | RH | 2816632 | 1 | 37 | | | | X | | | |
| | DOOR ASSEMBLY – Power windows | LH | 2814763 | 1 | 37 | | | X | X | | | X |
| | | RH | 2814762 | 1 | 37 | | | X | X | | | X |
| 12.895 PANEL ASSEMBLY – Front door outer | | | | | | | | | | | | |
| | PANEL ASSEMBLY | LH | 2819409 | 1 | Exc. 37 | X | X | | X | X | X | |
| | | RH | 2819410 | 1 | Exc. 37 | X | X | | X | X | X | |
| | PANEL ASSEMBLY | LH | 2812429 | 1 | 37 | | X | X | X | | | X |
| | | RH | 2812430 | 1 | 37 | | X | X | X | | | X |

"HQ" PARTS CATALOGUE

| GROUP | DESCRIPTION | SIDE | PART No. | QTY. | BODY STYLE | 801 802 | 803 804 | 808 | 811 812 | 814 | 815 816 | 818 |
|--|--|------|----------|------|------------|------------|------------|-----|------------|-----|------------|-----|
| 12.913 DOOR ASSEMBLY – Rear less glass, trim & hardware | | | | | | | | | | | | |
| | DOOR ASSEMBLY - Exc. power windows | LH | 2814453 | 1 | 35 | X | X | | X | | | |
| | | RH | 2814454 | 1 | 35 | X | X | | X | | | |
| | DOOR ASSEMBLY - Power windows | LH | 2814455 | 1 | 35 | | | | X | | | |
| | | RH | 2814456 | 1 | 35 | | | | X | | | |
| | DOOR ASSEMBLY - Exc. power windows | LH | 2814445 | 1 | 69 | X | X | | X | | | |
| | | RH | 2814446 | 1 | 69 | X | X | | X | | | |
| | DOOR ASSEMBLY - Exc. power windows | LH | 2814449 | 1 | 69 | | | | | X | X | |
| | | RH | 2814450 | 1 | 69 | | | | | X | X | |
| | DOOR ASSEMBLY - Power windows | LH | 2814447 | 1 | 69 | | | | X | | | |
| | | RH | 2814448 | 1 | 69 | | | | X | | | |
| | DOOR ASSEMBLY - Power windows | LH | 2814451 | 1 | 69 | | | | | X | X | |
| | | RH | 2814452 | 1 | 69 | | | | | X | X | |
| 12.913 PANEL ASSEMBLY – Rear door outer | | | | | | | | | | | | |
| | PANEL ASSEMBLY | LH | 2819423 | 1 | 35, 69 | X | X | | X | X | X | |
| | | RH | 2819424 | 1 | 35, 69 | X | X | | X | X | X | |
| 12.934 PANEL – Rocker | | | | | | | | | | | | |
| | PANEL - Inner | LH | 2809489 | 1 | 35 | X | X | | X | | | |
| | | RH | 2809488 | 1 | 35 | X | X | | X | | | |
| | PANEL - Outer | LH | 2809815 | 1 | 35 | X | X | | X | | | |
| | | RH | 2809816 | 1 | 35 | X | X | | X | | | |
| | PANEL - Inner | LH | 2809491 | 1 | 37 | | X | X | X | | | X |
| | | RH | 2809490 | 1 | 37 | | X | X | X | | | X |
| | PANEL - Outer | LH | 2809817 | 1 | 37 | | X | X | X | | | X |
| | | RH | 2809818 | 1 | 37 | | X | X | X | | | X |
| | PANEL - Inner | LH | 2809487 | 1 | 69 | X | X | | X | | | |
| | | RH | 2809486 | 1 | 69 | X | X | | X | | | |
| | PANEL - Outer | LH | 2809813 | 1 | 69 | X | X | | X | | | |
| | | RH | 2809814 | 1 | 69 | X | X | | X | | | |
| | PANEL - Inner | LH | 2809489 | 1 | 69 | | | | | X | X | |
| | | RH | 2809488 | 1 | 69 | | | | | X | X | |
| | PANEL - Outer | LH | 2809815 | 1 | 69 | | | | | X | X | |
| | | RH | 2809816 | 1 | 69 | | | | | X | X | |
| | PANEL - Inner | LH | 2816389 | 1 | 60 | X | | | | | | |
| | | RH | 2816388 | 1 | 60 | X | | | | | | |
| | PANEL - Outer | LH | 2816449 | 1 | 60 | X | | | | | | |
| | | RH | 2816448 | 1 | 60 | X | | | | | | |
| | PANEL - Inner | LH | 2809489 | 1 | 70, 80 | X | X | | | | | |
| | | RH | 2809488 | 1 | 70, 80 | X | X | | | | | |
| | PANEL - Outer | LH | 2809815 | 1 | 70, 80 | X | X | | | | | |
| | | RH | 2809816 | 1 | 70, 80 | X | X | | | | | |
| 12.940 PANEL ASSEMBLY, REINFORCEMENT, FILLER – Rear quarter outer | | | | | | | | | | | | |
| | PANEL ASSEMBLY | LH | 2811527 | 1 | 35 | X | X | | X | | | |
| | | RH | 2811526 | 1 | 35 | X | X | | X | | | |
| | REINFORCEMENT - Panel front | LH | 2814071 | 1 | 35 | X | X | | X | | | |
| | | RH | 2814070 | 1 | 35 | X | X | | X | | | |
| | FILLER - Panel lower | LH | 2814867 | 1 | 35 | X | X | | X | | | |
| | | RH | 2814868 | 1 | 35 | X | X | | X | | | |
| | FILLER - Panel upper | LH | 2814929 | 1 | 35 | X | X | | X | | | |
| | | RH | 2814928 | 1 | 35 | X | X | | X | | | |
| | PANEL ASSEMBLY | LH | 2811641 | 1 | 37 | | X | X | X | | | X |
| | | RH | 2811640 | 1 | 37 | | X | X | X | | | X |
| | REINFORCEMENT - Window opening | LH | 2814443 | 1 | 37 | | X | X | X | | | X |
| | | RH | 2814444 | 1 | 37 | | X | X | X | | | X |
| | PANEL ASSEMBLY | LH | 2810227 | 1 | 69 | X | X | | X | | | |
| | | RH | 2810226 | 1 | 69 | X | X | | X | | | |

"HQ" PARTS CATALOGUE

| GROUP | DESCRIPTION | SIDE | PART No. | QTY. | BODY STYLE | 801 802 | 803 804 | 808 | 811 812 | 814 | 815 816 | 818 |
|---|--|------|----------|------|------------|------------|------------|-----|------------|-----|------------|-----|
| 12.940 PANEL ASSEMBLY, REINFORCEMENT, FILLER – Rear quarter outer (contd.) | | | | | | | | | | | | |
| | PANEL ASSEMBLY | LH | 2810893 | 1 | 69 | | | | | X | X | |
| | | RH | 2810894 | 1 | 69 | | | | | X | X | |
| | REINFORCEMENT – Panel front | LH | 2814071 | 1 | 69 | X | X | | X | X | X | |
| | | RH | 2814070 | 1 | 69 | X | X | | X | X | X | |
| | PLATE – Panel seal | LH | 2814235 | 1 | 69 | | | | | X | X | |
| | | RH | 2814236 | 1 | 69 | | | | | X | X | |
| 12.940 SUPPORT – Tail lamp | | | | | | | | | | | | |
| | SUPPORT – Tail lamp | | 2815291 | 2 | 35 | X | X | | X | | | |
| | SUPPORT – Tail lamp | | 2812475 | 2 | 69 | | | | | X | X | |
| | SUPPORT – Tail lamp | | 2815291 | 2 | 70, 80 | X | X | | | | | |
| 12.941 PANEL ASSEMBLY – Rear quarter inner | | | | | | | | | | | | |
| | PANEL ASSEMBLY | LH | 2813795 | 1 | 35 | X | X | | X | | | |
| | | RH | 2813794 | 1 | 35 | X | X | | X | | | |
| | PANEL ASSEMBLY – Exc. power windows | LH | 2814993 | 1 | 37 | | X | X | X | | | X |
| | | RH | 2814992 | 1 | 37 | | X | X | X | | | X |
| | PANEL ASSEMBLY – Power windows | LH | 2815225 | 1 | 37 | | | X | X | | | X |
| | | RH | 2815224 | 1 | 37 | | | X | X | | | X |
| | COVER – Inner panel | | 2815230 | 2 | 37 | | X | X | X | | | X |
| | BRACE – Body side to underbody | LH | 2814787 | 1 | 37 | | X | X | X | | | X |
| | | RH | 2814788 | 1 | 37 | | X | X | X | | | X |
| | PANEL ASSEMBLY | LH | 2811469 | 1 | 69 | X | X | | X | | | |
| | | RH | 2811470 | 1 | 69 | X | X | | X | | | |
| | PANEL ASSEMBLY | LH | 2811423 | 1 | 69 | | | | | X | X | |
| | | RH | 2811422 | 1 | 69 | | | | | X | X | |
| 12.942 PANEL ASSEMBLY, VALVE, GRILLE – Rear body lock pillar | | | | | | | | | | | | |
| | PANEL ASSEMBLY | LH | 2813749 | 1 | 35 | X | X | | X | | | |
| | | RH | 2813750 | 1 | 35 | X | X | | X | | | |
| | VALVE ASSY. – Pressure relief | LH | 2814927 | 1 | 35 | X | X | | X | | | |
| | | RH | 2814926 | 1 | 35 | X | X | | X | | | |
| | SCREW – Valve assy. to quarter panel | | 7426400 | 2 | 35 | X | X | | X | | | |
| | SEAL – Relief valve | | 2816248 | 2 | 35 | X | X | | X | | | |
| | VALVE – Body drain | | 2815909 | 2 | 35 | X | X | | X | | | |
| | GRILLE – Relief valve | | 2816126 | 2 | 35 | X | X | | X | | | |
| | SCREW – Grille to trim panel | | 7431901 | 4 | 35 | X | X | | X | | | |
| | NUT – Grille to trim panel | | SP2175 | 4 | 35 | X | X | | X | | | |
| | PANEL ASSEMBLY | LH | 2813897 | 1 | 37 | | X | X | X | | | X |
| | | RH | 2813896 | 1 | 37 | | X | X | X | | | X |
| | PANEL – Rear body pillar | LH | 2814307 | 1 | 37 | | X | X | X | | | X |
| | | RH | 2814308 | 1 | 37 | | X | X | X | | | X |
| | VALVE ASSY. – Pressure relief | | 2815773 | 2 | 37 | | X | X | X | | | X |
| | SCREW – Valve assy. to quarter panel | | 7426400 | 2 | 37 | | X | X | X | | | X |
| | SEAL – Relief valve | | 2816248 | 2 | 37 | | X | X | X | | | X |
| | PANEL ASSEMBLY | LH | 2811687 | 1 | 69 | X | X | | X | | | |
| | | RH | 2811688 | 1 | 69 | X | X | | X | | | |
| | PANEL ASSEMBLY | LH | 2811887 | 1 | 69 | | | | | X | X | |
| | | RH | 2811888 | 1 | 69 | | | | | X | X | |
| | VALVE ASSY. – Pressure relief | LH | 2814927 | 1 | 69 | X | X | | X | X | X | |
| | | RH | 2814926 | 1 | 69 | X | X | | X | X | X | |
| | SCREW – Valve assy. to quarter panel | | 7426400 | 2 | 69 | X | X | | X | X | X | |
| | SEAL – Relief valve | | 2816248 | 2 | 69 | X | X | | X | X | X | |
| | VALVE – Body drain | | 2815909 | 2 | 69 | X | X | | X | X | X | |
| | VALVE ASSY. – Pressure relief | | 2815773 | 2 | 60, 70, 80 | X | X | | X | X | X | |
| | SCREW – Valve assy. to quarter panel | | 7426400 | 2 | 60, 70, 80 | X | X | | X | X | X | |
| | SEAL – Relief valve | | 2816248 | 2 | 60, 70, 80 | X | X | | X | X | X | |
| | VALVE – Body drain | | 2815909 | 2 | 60, 70, 80 | X | X | | X | X | X | |
| | GRILLE – Relief valve | | 2816126 | 2 | 60, 70, 80 | X | X | | X | X | X | |
| | SCREW – Grille to body | | 7426400 | 2 | 60, 70, 80 | X | X | | X | X | X | |

"HQ" PARTS CATALOGUE

| GROUP | DESCRIPTION | SIDE | PART No. | QTY. | BODY STYLE | 801 802 | 803 804 | 808 | 811 812 | 814 | 815 816 | 818 |
|---|--|------|----------|------|----------------|------------|------------|-----|------------|-----|------------|-----|
| 12.944 PANEL – Wheelhouse | | | | | | | | | | | | |
| | PANEL | LH | 2812945 | 1 | 35 | X | X | | X | | | |
| | | RH | 2811353 | 1 | 35 | X | X | | X | | | |
| | PANEL | LH | 2812945 | 1 | 37, 69, 70, 80 | X | X | X | X | X | X | X |
| | | RH | 2812946 | 1 | 37, 69, 70, 80 | X | X | X | X | X | X | X |
| 12.948 PANEL, COVER, EXTENSION – Body side | | | | | | | | | | | | |
| | PANEL – Outer | LH | 2816043 | 1 | 60 | X | | | | | | |
| | | RH | 2816044 | 1 | 60 | X | | | | | | |
| | PANEL – Inner front | LH | 2816775 | 1 | 60 | X | | | | | | |
| | | RH | 2816774 | 1 | 60 | X | | | | | | |
| | PANEL – Inner rear | LH | 2816397 | 1 | 60 | X | | | | | | |
| | | RH | 2816398 | 1 | 60 | X | | | | | | |
| | PANEL – Outer lower | LH | 2814909 | 1 | 70 | X | | | | | | |
| | | RH | 2814910 | 1 | 70 | X | | | | | | |
| | PANEL – Outer upper | LH | 2815647 | 1 | 70 | X | | | | | | |
| | | RH | 2815646 | 1 | 70 | X | | | | | | |
| | PANEL – Inner front | LH | 2816777 | 1 | 70 | X | | | | | | |
| | | RH | 2816776 | 1 | 70 | X | | | | | | |
| | PANEL – Inner rear | LH | 2816863 | 1 | 70 | X | | | | | | |
| | | RH | 2816862 | 1 | 70 | X | | | | | | |
| | COVER – Inner front | LH | 2816641 | 1 | 70 | X | | | | | | |
| | | RH | 2816640 | 1 | 70 | X | | | | | | |
| | COVER – Inner rear | LH | 2816640 | 1 | 70 | X | | | | | | |
| | | RH | 2816641 | 1 | 70 | X | | | | | | |
| | COVER – End gate body pillar lower | | 2817113 | 2 | 70 | X | | | | | | |
| | EXTENSION – Body side upper | LH | 2816457 | 1 | 70 | X | | | | | | |
| | | RH | 2816456 | 1 | 70 | X | | | | | | |
| | PANEL – Outer | LH | 2815479 | 1 | 80 | X | X | | | | | |
| | | RH | 2815478 | 1 | 80 | X | X | | | | | |
| | PANEL – Inner front | LH | 2816775 | 1 | 80 | X | X | | | | | |
| | | RH | 2816774 | 1 | 80 | X | X | | | | | |
| | PANEL – Inner rear | LH | 2816863 | 1 | 80 | X | X | | | | | |
| | | RH | 2816862 | 1 | 80 | X | X | | | | | |
| | COVER – Inner front | LH | 2816641 | 1 | 80 | X | X | | | | | |
| | | RH | 2816640 | 1 | 80 | X | X | | | | | |
| | COVER – Inner rear | LH | 2816640 | 1 | 80 | X | X | | | | | |
| | | RH | 2816641 | 1 | 80 | X | X | | | | | |
| | COVER – End gate body pillar | | 2817113 | 2 | 80 | X | X | | | | | |
| | EXTENSION – Body side front | LH | 2817165 | 1 | 80 | X | X | | | | | |
| | | RH | 2817166 | 1 | 80 | X | X | | | | | |
| 12.950 PILLAR ASSEMBLY – Body side | | | | | | | | | | | | |
| | PILLAR ASSY. – Upper | | 2816745 | 6 | 70 | X | | | | | | |
| 12.951 PANEL ASSEMBLY, PILLAR ASSEMBLY – End gate body | | | | | | | | | | | | |
| | PANEL ASSEMBLY – Inner | LH | 2813571 | 1 | 35 | X | X | | X | | | |
| | | RH | 2813570 | 1 | 35 | X | X | | X | | | |
| | PANEL ASSEMBLY – Outer | LH | 2813573 | 1 | 35 | X | X | | X | | | |
| | | RH | 2813572 | 1 | 35 | X | X | | X | | | |
| | PILLAR ASSEMBLY – Outer | LH | 2816729 | 1 | 35 | X | X | | X | | | |
| | | RH | 2816728 | 1 | 35 | X | X | | X | | | |
| | PILLAR ASSEMBLY – Upper inner | LH | 2816681 | 1 | 70 | X | | | | | | |
| | | RH | 2816682 | 1 | 70 | X | | | | | | |
| | PILLAR ASSEMBLY – Upper outer | LH | 2816263 | 1 | 70 | X | | | | | | |
| | | RH | 2816262 | 1 | 70 | X | | | | | | |
| | PILLAR – Lower inner | LH | 2817339 | 1 | 70 | X | | | | | | |
| | | RH | 2817340 | 1 | 70 | X | | | | | | |

"HQ" PARTS CATALOGUE

| GROUP | DESCRIPTION | SIDE | PART No. | QTY. | BODY STYLE | 801 802 | 803 804 | 808 | 811 812 | 814 | 815 816 | 818 |
|---------------|---|------|----------|------|------------|------------|------------|-----|------------|-----|------------|-----|
| 12.951 | PANEL ASSEMBLY, PILLAR ASSEMBLY – End gate body (contd.) | | | | | | | | | | | |
| | PILLAR ASSEMBLY – Lower outer | LH | 2816525 | 1 | 70 | X | | | | | | |
| | | RH | 2816524 | 1 | 70 | X | | | | | | |
| | PILLAR – Lower inner | LH | 2817339 | 1 | 80 | X | X | | | | | |
| | | RH | 2817340 | 1 | 80 | X | X | | | | | |
| | PILLAR ASSEMBLY – Lower outer | LH | 2816523 | 1 | 80 | X | X | | | | | |
| | | RH | 2816522 | 1 | 80 | X | X | | | | | |
| 12.952 | BOW ASSEMBLY – Roof | | | | | | | | | | | |
| | BOW ASSEMBLY – Front | | 2812844 | 1 | 35 | X | X | | X | | | |
| | BOW ASSEMBLY – No. 2 & 3 | | 2812936 | 2 | 35 | X | X | | X | | | |
| | BOW ASSEMBLY | | 2811783 | 1 | 37 | | X | X | X | | | X |
| | BOW ASSEMBLY | | 2810263 | 1 | 69 | X | X | | X | X | | |
| | BOW ASSEMBLY – Front | | 2816587 | 1 | 70 | X | | | | | | |
| | BOW ASSEMBLY – Rear | | 7420831 | 1 | 70 | X | | | | | | |
| 12.955 | WIRE – Headlining listing | | | | | | | | | | | |
| | WIRE – No. 1 | | 2811244 | 1 | 35 | X | X | | X | | | |
| | WIRE – Nos. 2 & 9 | | 2813463 | 2 | 35 | X | X | | X | | | |
| | WIRE – No. 3 | | 2813632 | 2 | 35 | X | X | | X | | | |
| | WIRE – Nos. 4, 5 & 7 | | 2813465 | 3 | 35 | X | X | | X | | | |
| | WIRE – Nos. 6 & 8 | | 2813633 | 2 | 35 | X | X | | X | | | |
| | WIRE – No. 1 | | 2814674 | 1 | 37 | | | X | X | | | X |
| | WIRE – No. 2 | | 2811204 | 1 | 37 | | | X | X | | | X |
| | WIRE – No. 3 | | 7434067 | 1 | 37 | | | X | X | | | X |
| | WIRE – No. 4 | | 2814673 | 1 | 37 | | | X | X | | | X |
| | WIRE – No. 5 | | 2815104 | 1 | 37 | | | X | X | | | X |
| | WIRE – No. 1 | | 2811827 | 1 | 69 | X | X | | X | X | | |
| | WIRE – Nos. 2 & 4 | | 2811244 | 2 | 69 | X | X | | X | X | X | |
| | WIRE – No. 3 | | 2813632 | 2 | 69 | X | X | | X | X | X | |
| | WIRE – No. 5 | | 2811204 | 1 | 69 | X | X | | X | | | |
| | WIRE – No. 5 | | 2812387 | 1 | 69 | | | | | X | X | |
| | WIRE – No. 1 | | 2813465 | 1 | 70 | X | | | | | | |
| | WIRE – No. 2 | | 2816850 | 1 | 70 | X | | | | | | |
| | WIRE – Rear edge | | 7435649 | 2 | 70 | X | | | | | | |
| | WIRE – No. 1 | | 2811827 | 1 | 60, 80 | X | X | | | | | |
| | WIRE – No. 2 | | 2811244 | 1 | 60, 80 | X | X | | | | | |
| | WIRE – No. 3 | | 2813633 | 1 | 60, 80 | X | X | | | | | |
| 12.956 | RAIL – Roof | | | | | | | | | | | |
| | RAIL – Side inner | LH | 2811707 | 1 | 35 | X | X | | X | | | |
| | | RH | 2811708 | 1 | 35 | X | X | | X | | | |
| | RAIL ASSEMBLY – Rear | | 2811836 | 1 | 35 | X | X | | X | | | |
| | RAIL – Side inner | LH | 2812777 | 1 | 37 | | | X | X | | | X |
| | | RH | 2812778 | 1 | 37 | | | X | X | | | X |
| | RAIL – Side inner | LH | 2810421 | 1 | 69 | X | X | | X | | | |
| | | RH | 2810420 | 1 | 69 | X | X | | X | | | |
| | RAIL – Side inner | LH | 2811639 | 1 | 69 | | | | | X | X | |
| | | RH | 2811638 | 1 | 69 | | | | | X | X | |
| | RAIL ASSEMBLY – Rear | | 7427495 | 1 | 70 | X | | | | | | |
| | RAIL – Side inner | | 2817552 | 2 | 60, 70, 80 | X | X | | | | | |
| 12.958 | PANEL ASSEMBLY – Seat back | | | | | | | | | | | |
| | PANEL ASSEMBLY | | 2815896 | 1 | 60, 80 | X | X | | | | | |
| 12.958 | REINFORCEMENT – Rear window lower | | | | | | | | | | | |
| | REINFORCEMENT | | 2816452 | 1 | 60 | X | | | | | | |

"HQ" PARTS CATALOGUE

| GROUP | DESCRIPTION | SIDE | PART No. | QTY. | BODY STYLE | 801 802 | 803 804 | 808 | 811 812 | 814 | 815 816 | 818 |
|---------------|--|------|----------|------|------------|------------|------------|-----|------------|-----|------------|-----|
| 12.966 | PANEL – Rear end | | | | | | | | | | | |
| | PANEL ASSEMBLY | | 2813971 | 1 | 35 | X | X | | X | | | |
| | PANEL – Inner | | 2811174 | 1 | 37 | | X | X | X | | | X |
| | PANEL ASSEMBLY – Outer | | 2813299 | 1 | 37 | | X | X | X | | | X |
| | PANEL – Inner | | 2811174 | 1 | 69 | X | X | | X | X | X | |
| | PANEL ASSEMBLY – Outer | | 2813299 | 1 | 69 | X | X | | X | | | |
| | PANEL ASSEMBLY – Outer | | 2813333 | 1 | 69 | | | | | X | X | |
| | PANEL ASSEMBLY – Inner | | 2817171 | 1 | 70, 80 | X | X | | | | | |
| | PANEL – Outer | | 2815973 | 1 | 70, 80 | X | X | | | | | |
| 12.966 | DOOR, BRACKET, SPRING, PIN – Fuel tank filler | | | | | | | | | | | |
| | DOOR ASSEMBLY – Filler | | 2811713 | 1 | 37, 69 | X | X | X | X | X | X | X |
| | BRACKET – Filler door | | 2811710 | 1 | 37, 69 | X | X | X | X | X | X | X |
| | SPRING – Filler door | | 2811711 | 1 | 37, 69 | X | X | X | X | X | X | X |
| | PIN – Filler door | | 3857018 | 1 | 37, 69 | X | X | X | X | X | X | X |
| | BUMPER – Fuel tank filler door | | 7409209 | 2 | 37, 69 | X | X | X | X | X | X | X |
| 12.971 | PANEL ASSEMBLY – Rear compartment front | | | | | | | | | | | |
| | PANEL ASSEMBLY | | 2812949 | 1 | 37, 69 | X | X | X | X | | | X |
| | REINFORCEMENT | LH | 2811985 | 1 | 37, 69 | X | X | X | X | | | X |
| | | RH | 2811986 | 1 | 37, 69 | X | X | X | X | | | X |
| | EXTENSION – Panel | LH | 2814591 | 1 | 37 | | X | X | X | | | X |
| | | RH | 2814592 | 1 | 37 | | X | X | X | | | X |
| | EXTENSION – Panel | LH | 2813083 | 1 | 69 | X | X | | X | | | |
| | | RH | 2813082 | 1 | 69 | X | X | | X | | | |
| | PANEL ASSEMBLY | | 2811881 | 1 | 69 | | | | | X | X | |
| | REINFORCEMENT | LH | 2811987 | 1 | 69 | | | | | X | X | |
| | | RH | 2811988 | 1 | 69 | | | | | X | X | |
| | EXTENSION – Panel | LH | 2812967 | 1 | 69 | | | | | X | X | |
| | | RH | 2812966 | 1 | 69 | | | | | X | X | |
| 12.972 | FLOOR PAN | | | | | | | | | | | |
| | PAN ASSY. – Front floor | | 2825573 | 1 | 35 | X | X | | X | | | |
| | PAN ASSY. – Centre floor | | 2810124 | 1 | 35 | X | X | | X | | | |
| | PAN ASSY. – Front floor | | 2825573 | 1 | 37 | | X | X | X | | | X |
| | EXTENSION – Front floor pan (M) | | 2818264 | 1 | 37 | | | | | | | X |
| | PAN ASSY. – Centre floor | | 2810080 | 1 | 37 | | X | X | X | | | X |
| | PAN ASSY. – Front floor | | 2825573 | 1 | 69 | X | X | | X | X | X | |
| | EXTENSION – Front floor pan, (M) 350 Eng. | | 2818264 | 1 | 69 | | X | | | | | |
| | PAN ASSY. – Centre floor | | 2810080 | 1 | 69 | X | X | | X | | | |
| | PAN ASSY. – Centre floor | | 2810124 | 1 | 69 | | | | | X | X | |
| | PAN ASSY. – Front floor | | 2817726 | 1 | 60, 70, 80 | X | X | | | | | |
| 12.972 | PLATE, PLUG, BRACE, COVER – Floor pan | | | | | | | | | | | |
| | PLATE – Floor pan cover | | 7418525 | 8 | 35, 37, 69 | X | X | X | X | X | X | X |
| | PLATE – Floor pan cover | | 7418525 | 4 | 60 | X | | | | | | |
| | PLATE – Floor pan cover | | 7418525 | 6 | 70, 80 | X | X | | | | | |
| | PLUG – Rear seat belt plate sealing | | 7419554 | 2 | 35, 37, 69 | X | X | X | X | X | X | X |
| | CAP – Underbody sealing | | 7410830 | 1 | ALL | X | X | X | X | X | X | X |
| | BRACE ASSEMBLY – Frame to floor pan | LH | 2812013 | 1 | ALL | X | X | X | X | X | X | X |
| | | RH | 2812014 | 1 | ALL | X | X | X | X | X | X | X |
| | COVER – Floor pan, gearshift lever (M) – Floor shift | | 2820683 | 1 | Exc. 37 | X | X | | | | | |
| 12.980 | FRAME ASSEMBLY – Front end | | | | | | | | | | | |
| | FRAME ASSY. | | 2818527 | 1 | ALL | X | X | X | X | X | X | X |
| 12.981 | PAN – Rear floor | | | | | | | | | | | |
| | PAN ASSEMBLY | | 2810423 | 1 | 35 | X | X | | X | | | |
| | PAN ASSEMBLY | | 2810417 | 1 | 37, 69 | X | X | X | X | | | X |
| | PAN ASSEMBLY | | 2810422 | 1 | 69 | | | | | X | X | |
| | PAN | | 2816045 | 1 | 60, 70, 80 | X | X | | | | | |

"HQ" PARTS CATALOGUE

| GROUP | DESCRIPTION | SIDE | PART No. | QTY. | BODY STYLE | 801 802 | 803 804 | 808 | 811 812 | 814 | 815 816 | 818 |
|---|---|------|----------|------|------------|------------|------------|-----|------------|-----|------------|-----|
| 12.982 BAR, SIDE MEMBER – Frame & underbody | | | | | | | | | | | | |
| | BAR ASSY. – Underbody No. 1 cross | | 2810337 | 1 | 35 | X | X | | X | | | |
| | BAR – Underbody No. 2 cross | | 2808873 | 1 | 35 | X | X | | X | | | |
| | BAR – Underbody No. 3 cross | | 2809957 | 1 | 35 | X | X | | X | | | |
| | EXTENSION – No. 3 cross bar | | 2815529 | 2 | 35 | X | X | | X | | | |
| | BAR – Tonneau floor No. 4 cross | | 2812230 | 1 | 35 | X | X | | X | | | |
| | BAR – Tonneau floor rear cross | | 2814569 | 1 | 35 | X | X | | X | | | |
| | BAR ASSY. – Underbody No. 1 cross | | 2810337 | 1 | 37 | | X | X | X | | | X |
| | BAR – Underbody No. 2 cross | | 2808873 | 1 | 37 | | X | X | X | | | X |
| | BAR – Underbody No. 3 cross | | 2809957 | 1 | 37 | | X | X | X | | | X |
| | BAR ASSY. – Underbody No. 1 cross | | 2810337 | 1 | 69 | X | X | | X | X | X | |
| | BAR – Underbody No. 2 cross | | 2808873 | 1 | 69 | X | X | | X | X | X | |
| | BAR – Underbody No. 3 cross | | 2809957 | 1 | 69 | X | X | | X | X | X | |
| | BAR ASSY. – Underbody No. 1 cross | | 2820166 | 1 | 60, 70, 80 | X | X | | | | | |
| | BAR ASSY. – Tonneau floor No. 1 cross | | 2817673 | 1 | 60 | X | | | | | | |
| | BAR ASSY. – Tonneau floor No. 1 cross | | 2816445 | 1 | 70, 80 | X | X | | | | | |
| | BAR ASSY. – Tonneau floor No. 2 cross | | 2816073 | 1 | 70, 80 | X | X | | | | | |
| | BAR – Tonneau floor No. 3 cross | | 2816714 | 1 | 70, 80 | X | X | | | | | |
| | BRACE – Rear floor to tonneau floor cross bar | | 2816253 | 2 | 60, 70, 80 | X | X | | | | | |
| | MEMBER ASSY. – Underbody side | LH | 2808871 | 1 | 35 | X | X | | X | | | |
| | | RH | 2808872 | 1 | 35 | X | X | | X | | | |
| | MEMBER ASSY. – Underbody side | LH | 2808869 | 1 | 37, 69 | X | X | X | X | | | X |
| | | RH | 2808870 | 1 | 37, 69 | X | X | X | X | | | X |
| | MEMBER ASSY. – Underbody side | LH | 2810333 | 1 | 69 | | | | | X | X | |
| | | RH | 2810334 | 1 | 69 | | | | | X | X | |
| | MEMBER ASSY. – Trans. mounting cross, 173, 202, 253, 308 Eng. | | 2814616 | 1 | 35, 37, 69 | X | X | X | X | X | X | |
| | MEMBER ASSY. – Trans. mounting cross, (M) 350 Eng. | | 2809819 | 1 | 37 | | | | | | | X |
| | MEMBER ASSY. – Trans. mounting cross, (M) 350 Eng. | | 2809819 | 1 | 69 | | X | | | | | |
| | MEMBER ASSY. – Trans. mounting cross, (A) 350 Eng. | | 2814617 | 1 | 37, 69 | | X | | X | X | X | X |
| | PLATE – Reinforcement (A) 350 Eng. | | 2820736 | 2 | 37, 69 | | X | | X | X | X | X |
| | MEMBER ASSY. – Trans. mounting cross | | 2814618 | 1 | 60, 70, 80 | X | X | | | | | |
| | NUT PLATE – Underbody, frame & tonneau floor | | 2809319 | AR | ALL | X | X | X | X | X | X | X |
| 12.984 BRACKET – Rear spring & shock absorber mounting | | | | | | | | | | | | |
| | BRACKET | LH | 2809247 | 1 | 35, 37, 69 | X | X | X | X | X | X | X |
| | | RH | 2809248 | 1 | 35, 37, 69 | X | X | X | X | X | X | X |
| 12.986 SILL, SUPPORT, EXTENSION – Rear compartment floor | | | | | | | | | | | | |
| | SILL – Tonneau floor side | LH | 2814825 | 1 | 35 | X | X | | X | | | |
| | | RH | 2814824 | 1 | 35 | X | X | | X | | | |
| | SUPPORT – Tonneau rear floor | LH | 2817083 | 1 | 70, 80 | X | X | | | | | |
| | | RH | 2817082 | 1 | 70, 80 | X | X | | | | | |
| | EXTENSION – Tonneau rear floor | LH | 2817035 | 1 | 70, 80 | X | X | | | | | |
| | | RH | 2817036 | 1 | 70, 80 | X | X | | | | | |

"HQ" PARTS CATALOGUE

| GROUP | DESCRIPTION | SIDE | PART No. | QTY. | BODY STYLE | 801 802 | 803 804 | 808 | 811 812 | 814 | 815 816 | 818 |
|--|--|------|----------|------|--------------------|------------|------------|-----|------------|-----|------------|-----|
| 13.090 HARNESS ASSEMBLY – Body Wiring | | | | | | | | | | | | |
| | HARNESS ASSY. | | 2816580 | 1 | 35 | X | X | | X | | | |
| | HARNESS ASSY. | | 2822140 | 1 | 37 | | X | X | X | | | X |
| | HARNESS ASSY. | | 2816900 | 1 | 60 | X | | | | | | |
| | HARNESS ASSY. – exc. SS, 4 door GTS | | 2816301 | 1 | 69 | X | X | | | | | |
| | HARNESS ASSY. – SS, 4 door GTS | | 2815880 | 1 | 69 | X | X | | | | | |
| | HARNESS ASSY. – Heavy duty | | 2815880 | 1 | 69 | X | X | | | | | |
| | HARNESS ASSY. | | 2815880 | 1 | 69 | | | | X | | | |
| | HARNESS ASSY. | | 2816302 | 1 | 69 | | | | | X | X | |
| | HARNESS ASSY. | | 2816899 | 1 | 70, 80 | X | X | | | | | |
| | HARNESS ASSY. – Rear | | 2815883 | 1 | 35 | X | X | | X | | | |
| | HARNESS ASSY. – Rear | | 2815881 | 1 | 37, 69 | X | X | X | X | | | X |
| | HARNESS ASSY. – Rear, white back up lens, (optional export only) | | 2816725 | 1 | 37, 69 | X | X | X | X | | | X |
| | HARNESS ASSY. – Rear | | 2815882 | 1 | 69 | | | | | X | X | |
| | HARNESS ASSY. – Rear | | 2816859 | 1 | 60 | X | | | | | | |
| | HARNESS ASSY. – Rear | | 2816858 | 1 | 70, 80 | X | X | | | | | |
| | HARNESS ASSY. – Rear, white back up lens, (optional export only) | | 2816727 | 1 | 69 | | | | | X | X | |
| | HARNESS ASSY. – Rear, white back up lens, (optional export only) | | 2816727 | 1 | 35, 70, 80 | X | X | | X | | | |
| | HARNESS ASSY. – Rear, side marker lamps | | 2816677 | 1 | 37, 69 | X | X | X | X | | | X |
| | HARNESS ASSY. – Rear, side marker lamps, white back up lens, (optional export only) | | 2816678 | 1 | 37, 69 | X | X | X | X | | | X |
| | LEAD ASSY. – Stop lamp | | 2817867 | 1 | ALL | X | X | X | X | X | X | X |
| | LEAD ASSY. – Stop lamp relay | | 2815663 | 1 | ALL | X | X | X | X | X | X | X |
| | BODY – 3 way female connector | | 2962449 | 1 | 37, 69 | X | X | X | X | | | X |
| | BODY – 3 way male connector | | 2973172 | 1 | 37, 69 | X | X | X | X | | | X |
| | BODY – Rear, 3 way female connector | | 2973603 | 1 | ALL | X | X | X | X | X | X | X |
| | BODY – 4 way female terminal connector | | 2962969 | 1 | ALL | X | X | X | X | X | X | X |
| | BODY – Rear, 3 way male connector | | 2973172 | 1 | 60 | X | | | | | | |
| | BODY – Male connector | | 2962984 | 1 | 60 | X | | | | | | |
| | BODY – Side marker lamp socket | | 5297797 | 1 | 37, 69 | X | X | X | X | | | X |
| | BODY – Rear | | 5297797 | 1 | 35, 69, 70, 80 | X | X | | X | X | X | |
| | BODY – Socket | | 2962066 | 1 | 69 | X | X | | X | X | X | |
| | SOCKET ASSY. – Single filament, back up lamp | | 2813745 | 2 | 37, 69 | X | X | X | X | | | X |
| | SOCKET ASSY. – Double filament, stop and tail lamp | | 2813744 | 2 | 37, 69 | X | X | X | X | | | X |
| | SOCKET ASSY. – Rear, B1 type | | 7429955 | 2 | 35, 69, 70, 80 | X | X | | X | X | X | |
| | SOCKET ASSY. – Rear, C2 type | | 7429820 | 2 | 35, 69, 70, 80 | X | X | | X | X | X | |
| | SOCKET ASSY. – Rear harness | | 2962243 | 1 | 37, 69 | X | X | X | X | | | X |
| 13.092 CLIP – Body Wiring | | | | | | | | | | | | |
| | CLIP – Body wiring harness | | 7435688 | 1 | 35, 69, 80 | X | X | | X | X | X | |
| | CLIP – Body wiring harness | | 7432906 | AR | ALL | X | X | X | X | X | X | X |
| | CLIP – Body wiring harness to rocker panel | | SP2191 | 3-2 | ALL | X | X | X | X | X | X | X |
| | CLIP – Body wiring harness to under body | | 7413031 | 2-1 | 35, 37, 69 | X | X | X | X | X | X | X |
| | CLIP – Body wiring harness to frame | | SP1909 | 3 | 60 | X | | | | | | |
| | CLIP – Rear body harness to brake pipe | | SP2226 | 4 | 60 | X | | | | | | |
| | CLIP – Body wiring harness to body side | | 7413031 | 4-2 | Exc. 60 | X | X | X | X | X | X | X |
| | CLIP – Body wiring harness to tonneau floor | | 7426417 | 2 | 70, 80 | X | X | | | | | |
| | CLIP – Body wiring harness to rear pillar | | 2973345 | 1 | 70, 80 | X | X | | | | | |
| | CLIP – Rear body harness to rear cross bar | | 7175429 | 5 | 35 | X | X | | X | | | |
| | CLIP – Rear body to outer panel | | 7413032 | 3 | 69 | | | | | X | X | |
| | CLIP – Rear body harness to rear end inner panel | | 2815231 | 5 | 69 | | | | | X | X | |
| | CLIP – Rear body harness to rear end panel | | SP2309 | 2 | 69 | | | | | X | X | |
| | CLIP – Side marker lamp harness to rear panel | | 2815231 | AR | 37, 69 | X | X | X | X | X | X | X |
| | GROMMET – Body wiring harness | | 2817008 | 1 | 35, 37, 69, 70, 80 | X | X | X | X | X | X | X |
| | GROMMET – Body wiring harness 1.38" O.D. x .30 I.D. | | 2816370 | 1-2 | 60, 70, 80 | X | X | | | | | |

"HQ" PARTS CATALOGUE

| GROUP | DESCRIPTION | SIDE | PART No. | QTY. | BODY STYLE | 801 802 | 803 804 | 808 | 811 812 | 814 | 815 816 | 818 |
|---------------|---|------|-----------|------|------------|------------|------------|-----|------------|-----|------------|-----|
| 14.630 | TRIM ASSEMBLY – Panel Cowl Side Lower | | | | | | | | | | | |
| | TRIM Nos. 10A, 10B, 10C, 10D, 10E, 10G, 10H, 10R, 10S, 10T, 10U, 10X, 10Y, 10Z, 18X, 18Y, 22A, 22B, 22E, 22R, 24A, 24B, 24E, 24R, 24X, 24Y, 28E, 28H, 28R, 28S, 28U, 30A, 30B, 30E, 30G, 30H, 30R, 30T, 30X, 30Y, 35X, 35Y, 88A | LH | 2816387BA | 1 | ALL | X | X | X | X | | X | X |
| | | RH | 2816386BA | 1 | ALL | X | X | X | X | | X | X |
| | TRIM Nos. 11A, 11B, 11E, 11G, 11R, 11S, 11T, 11X, 11Y, 81A, 81B, 81D | LH | 2816387CA | 1 | ALL | X | X | X | X | | X | X |
| | | RH | 2816386CA | 1 | ALL | X | X | X | X | | X | X |
| | TRIM Nos. 12A, 12B, 12E, 12R, 82A, 82B | LH | 2816387CB | 1 | ALL | X | X | X | X | | X | X |
| | | RH | 2816386CB | 1 | ALL | X | X | X | X | | X | X |
| | TRIM Nos. 14A, 14B, 14E, 14R, 14X, 14Y, 84A, 84B | LH | 2816387CD | 1 | ALL | X | X | X | X | | X | X |
| | | RH | 2816386CD | 1 | ALL | X | X | X | X | | X | X |
| | TRIM Nos. 16E, 16G, 16R, 16T, 16X, 16Y, 86A | LH | 2816387CE | 1 | ALL | X | X | X | X | | X | X |
| | | RH | 2816386CE | 1 | ALL | X | X | X | X | | X | X |
| | TRIM Nos. 17A | LH | 2816387BK | 1 | ALL | X | X | X | X | | X | X |
| | | RH | 2816386BK | 1 | ALL | X | X | X | X | | X | X |
| | TRIM Nos. 18E, 18H, 18R, 18S, 18U | LH | 2816387CH | 1 | ALL | X | X | X | X | | X | X |
| | | RH | 2816386CH | 1 | ALL | X | X | X | X | | X | X |
| | TRIM Nos. 19A, 19B, 19E, 19G, 19R, 19S, 19T, 19X, 19Y, 21A, 21B, 21E, 21G, 21R, 21S, 21T, 21X, 21Y, 89A, 89B | LH | 2816387CJ | 1 | ALL | X | X | X | X | | X | X |
| | | RH | 2816386CJ | 1 | ALL | X | X | X | X | | X | X |
| | TRIM Nos. 19C | LH | 2816387BL | 1 | ALL | X | X | X | X | | X | X |
| | | RH | 2816386BL | 1 | ALL | X | X | X | X | | X | X |
| | TRIM Nos. 32A, 32B, 32E, 32R | LH | 2816387DA | 1 | ALL | X | X | X | X | | X | X |
| | | RH | 2816386DA | 1 | ALL | X | X | X | X | | X | X |
| | TRIM Nos. 34A, 34B, 34E, 34G, 34R, 34T, 34X, 34Y | LH | 2816387DB | 1 | ALL | X | X | X | X | | X | X |
| | | RH | 2816386DB | 1 | ALL | X | X | X | X | | X | X |
| | TRIM Nos. 35A, 35B, 35E, 35G, 35R | LH | 2816387DD | 1 | ALL | X | X | X | X | | X | X |
| | | RH | 2816386DD | 1 | ALL | X | X | X | X | | X | X |
| | TRIM Nos. 36E, 36G, 36R, 36T, 36X, 36Y | LH | 2816387DE | 1 | ALL | X | X | X | X | | X | X |
| | | RH | 2816386DE | 1 | ALL | X | X | X | X | | X | X |
| | TRIM Nos. 38E, 38G, 38R, 38T, 38X, 38Y, 39A, 39B, 39E, 39G, 39R, 39T, 39X, 39Y | LH | 2816387DG | 1 | ALL | X | X | X | X | | X | X |
| | | RH | 2816386DG | 1 | ALL | X | X | X | X | | X | X |
| | TRIM Nos. 10M, 10N, 14M, 28M, 28N | LH | 2820379BA | 1 | 69 | | | | | X | | |
| | | RH | 2820380BA | 1 | 69 | | | | | X | | |
| | TRIM Nos. 11M, 11N | LH | 2820379CA | 1 | 69 | | | | | X | | |
| | | RH | 2820380CA | 1 | 69 | | | | | X | | |
| | TRIM Nos. 18M, 18N | LH | 2820379CG | 1 | 69 | | | | | X | | |
| | | RH | 2820380CG | 1 | 69 | | | | | X | | |
| | TRIM Nos. 19M, 19N, 21M, 21N | LH | 2820379CJ | 1 | 69 | | | | | X | | |
| | | RH | 2820380CJ | 1 | 69 | | | | | X | | |
| | TRIM Nos. 30M, 30N | LH | 2820379CY | 1 | 69 | | | | | X | | |
| | | RH | 2820380CY | 1 | 69 | | | | | X | | |
| | TRIM Nos. 34M, 34N | LH | 2820379DB | 1 | 69 | | | | | X | | |
| | | RH | 2820380DB | 1 | 69 | | | | | X | | |
| | TRIM Nos. 35M, 35N | LH | 2820379DD | 1 | 69 | | | | | X | | |
| | | RH | 2820380DD | 1 | 69 | | | | | X | | |
| | TRIM Nos. 38M, 38N, 39M, 39N | LH | 2820379DG | 1 | 69 | | | | | X | | |
| | | RH | 2820380DG | 1 | 69 | | | | | X | | |
| 14.630 | FASTENER – Panel Cowl Side Lower Trim | | | | | | | | | | | |
| | TRIM Nos. 10A, 10B, 10C, 10E, 10G, 10H, 10R, 10S, 10T, 10U, 10X, 10Y, 10Z, 18X, 18Y, 22A, 22B, 22E, 22R, 24A, 24B, 24E, 24R, 24X, 24Y, 28E, 28H, 28R, 28S, 28U, 30A, 30B, 30E, 30G, 30H, 30R, 30T, 30X, 30Y, 35X, 35Y | | SP1838BA | 2 | ALL | X | X | X | X | | X | X |
| | TRIM Nos. 11A, 11B, 11E, 11G, 11R, 11S, 11T, 11X, 11Y | | SP1838CA | 2 | ALL | X | X | X | X | | X | X |
| | TRIM Nos. 12A, 12B, 12E, 12R | | SP1838CB | 2 | ALL | X | X | X | X | | X | X |
| | TRIM Nos. 14A, 14B, 14E, 14R, 14X, 14Y | | SP1838CD | 2 | ALL | X | X | X | X | | X | X |

“HQ” PARTS CATALOGUE

| GROUP | DESCRIPTION | SIDE | PART No. | QTY. | BODY STYLE | 801 802 | 803 804 | 808 | 811 812 | 814 | 815 816 | 818 |
|--|---|------|-----------|------|------------|------------|------------|-----|------------|-----|------------|-----|
| 14.630 FASTENER – Panel Cowl Side Lower Trim (contd.) | | | | | | | | | | | | |
| | TRIM Nos. 16E, 16G, 16R, 16T, 16X, 16Y | | SP1838CE | 2 | ALL | X | X | X | X | | X | X |
| | TRIM Nos. 17A | | SP1838BK | 2 | ALL | X | X | X | X | | X | X |
| | TRIM Nos. 18E, 18H, 18R, 18S, 18U | | SP1838CH | 2 | ALL | X | X | X | X | | X | X |
| | TRIM Nos. 19A, 19B, 19E, 19G, 19R, 19S, 19T, 19X 19Y, 21A, 21B, 21E, 21G, 21R, 21S, 21T, 21X 21Y | | SP1838CJ | 2 | ALL | X | X | X | X | | X | X |
| | TRIM Nos. 19C | | SP1838BL | 2 | ALL | X | X | X | X | | X | X |
| | TRIM Nos. 32A, 32B, 32E, 32R | | SP1838DA | 2 | ALL | X | X | X | X | | X | X |
| | TRIM Nos. 34A, 34B, 34E, 34G, 34R, 34T, 34X, 34Y | | SP1838DB | 2 | ALL | X | X | X | X | | X | X |
| | TRIM Nos. 35A, 35B, 35E, 35G, 35R | | SP1838DB | 2 | ALL | X | X | X | X | | X | X |
| | TRIM Nos. 36E, 36G, 36R, 36T, 36X, 36Y | | SP1838DE | 2 | ALL | X | X | X | X | | X | X |
| | TRIM Nos. 38E, 38G, 38R, 38T, 38X, 38Y, 39A 39B, 39E, 39G, 39R, 39T, 39X, 39Y | | SP1838DG | 2 | ALL | X | X | X | X | | X | X |
| 14.640 HEADLINING ASSEMBLY | | | | | | | | | | | | |
| | TRIM Nos. 10A, 10B, 10C, 10E, 10G, 10H, 10R, 10T 10U, 30A, 30B, 30E, 30G, 30H, 30R, 30T(Black) | | 2820520BA | 1 | 35 | X | X | | X | | | |
| | TRIM Nos. 11A, 11B, 11E, 11G, 11R, 11T, 21A, 21B, 21E, 21G, 21R, 21T(Saddle) | | 2820520CA | 1 | 35 | X | X | | X | | | |
| | TRIM Nos. 12A, 12B, 12E, 12R, 22A, 22B, 22E, 22R(Red) | | 2820520CB | 1 | 35 | X | X | | X | | | |
| | TRIM Nos. 14A, 14B, 14E, 14R, 24A, 24B, 24E, 24R(Blue) | | 2820520CD | 1 | 35 | X | X | | X | | | |
| | TRIM Nos. 16E, 16G, 16R, 16T(Green) | | 2820520CE | 1 | 35 | X | X | | X | | | |
| | TRIM Nos. 17A, 18E, 18H, 18R, 18U, 19C, 28E, 28H, 28R, 28U(Flax) | | 2820520CG | 1 | 35 | X | X | | X | | | |
| | TRIM Nos. 19A, 19B, 19E, 19R, 19T(Brown) | | 2820520CJ | 1 | 35 | X | X | | X | | | |
| | TRIM Nos. 10A, 10B, 10E, 10G, 10H, 10R, 10T, 10U, 11A, 11B, 11E, 11G, 11R, 11T, 12A, 12B, 12E, 12R, 14A, 14B, 14E, 14R, 16E, 16G, 16R, 16T, 19A, 19B, 19E, 19G, 19R, 19T, 21A, 21B, 21E, 21G, 21R, 21T, 22A, 22B, 22E, 22R, 24A, 24B, 24E, 24R(Flax) | | 2820520CG | 1 | 35 | X | X | | X | | | |
| | TRIM Nos. 30A, 30B, 30E, 30G, 30H, 30R, 30T, 32A, 32B, 32E, 32R, 36E, 36G, 36R, 36T, 39A, 39B, 39E, 39G, 39R, 39T(Doeskin) | | 2820520DF | 1 | 35 | X | X | | X | | | |
| | TRIM Nos. 32A, 32B, 32E, 32R(Cinnabar) | | 2820520DA | 1 | 35 | X | X | | X | | | |
| | TRIM Nos. 34A, 34B, 34E, 34G, 34R, 34T(Indigo) | | 2820520DB | 1 | 35 | X | X | | X | | | |
| | TRIM Nos. 34A, 34B, 34E, 34G, 34R, 34T(Ash) | | 2820520DC | 1 | 35 | X | X | | X | | | |
| | TRIM Nos. 35A, 35B, 35E, 35G, 35R(Ash) | | 2820520DC | 1 | 35 | X | X | | X | | | |
| | TRIM Nos. 36E, 36G, 36R, 36T(Juniper) | | 2820520DE | 1 | 35 | X | X | | X | | | |
| | TRIM Nos. 38E, 38G, 38R, 38T(Doeskin) | | 2820520DF | 1 | 35 | X | X | | X | | | |
| | TRIM Nos. 39A, 39B, 39E, 39G, 39R, 39T(Chestnut) | | 2820520DG | 1 | 35 | X | X | | X | | | |
| | TRIM Nos. 10E, 10R, 10S, 10X, 10Y, 10Z, 30E, 30G, 30H, 30R, 30T, 30X, 30Y, 35X, 35Y | | 2820360BA | 1 | 37 | | | X | X | X | | X |
| | TRIM Nos. 11E, 11R, 11S, 11X, 11Y, 21E, 21R, 21S, 21X, 21Y | | 2820360CA | 1 | 37 | | | X | X | X | | X |
| | TRIM Nos. 12E, 12R, 22E, 22R | | 2820360CB | 1 | 37 | | | X | X | X | | X |
| | TRIM Nos. 14E, 14R, 14X, 14Y, 24E, 24R, 24X, 24Y | | 2820360CD | 1 | 37 | | | X | X | X | | X |
| | TRIM Nos. 16R, 16X, 16Y | | 2820360CE | 1 | 37 | | | X | X | X | | X |
| | TRIM Nos. 18E, 18R, 18S, 18X, 18Y, 28E, 28R, 28S | | 2820360CG | 1 | 37 | | | X | X | X | | X |
| | TRIM Nos. 19E, 19R, 19S, 19X, 19Y | | 2820360CJ | 1 | 37 | | | X | X | X | | X |
| | TRIM Nos. 32E, 32R | | 2820360DA | 1 | 37 | | | X | X | X | | X |
| | TRIM Nos. 34E, 34G, 34R, 34T, 34X, 34Y | | 2820360DB | 1 | 37 | | | X | X | X | | X |
| | TRIM Nos. 35E, 35G, 35R | | 2820360DC | 1 | 37 | | | X | X | X | | X |
| | TRIM Nos. 36E, 36G, 36R, 36T, 36X, 36Y | | 2820360DE | 1 | 37 | | | X | X | X | | X |
| | TRIM Nos. 36E, 38G, 38R, 38T, 38X, 38Y | | 2820360DF | 1 | 37 | | | X | X | X | | X |
| | TRIM Nos. 39E, 39G, 39R, 39T, 39X, 39Y | | 2820360DG | 1 | 37 | | | X | X | X | | X |
| | TRIM Nos. 10A, 10B, 10E, 30A, 30B, 30E(Black) | | 2822224BA | 1 | 60, 60 | X | X | | | | | |
| | TRIM Nos. 11A, 11B, 11E, 21A, 21B, 21E(Saddle) | | 2822224CA | 1 | 60, 80 | X | X | | | | | |
| | TRIM Nos. 12A, 12B, 12E, 22A, 22B, 22E(Red) | | 2822224CB | 1 | 60, 80 | X | X | | | | | |
| | TRIM Nos. 14A, 14B, 14E, 24A, 24B, 24E(Blue) | | 2822224CD | 1 | 60, 80 | X | X | | | | | |
| | TRIM Nos. 16E(Green) | | 2822224CE | 1 | 60, 80 | X | X | | | | | |

BODY

“HQ” PARTS CATALOGUE

| GROUP | DESCRIPTION | SIDE | PART No. | QTY. | BODY STYLE | 801 802 | 803 804 | 808 | 811 812 | 814 | 815 816 | 818 |
|--|--|------|---------------------------|------|------------|------------|------------|-----|------------|-----|------------|-----|
| 14.640 HEADLINING ASSEMBLY (contd.) | | | | | | | | | | | | |
| | TRIM Nos. 17A, 18E, 19C, 28E(Flax) | | 2822224CG | 1 | 60, 80 | X | X | | | | | |
| | TRIM Nos. 19A, 19B, 19E(Brown) | | 2822224CJ | 1 | 60, 80 | X | X | | | | | |
| | TRIM Nos. 10A, 10B, 10E, 11A, 11B, 11E, 12A, 12B, 12E, 14E, 16E, 16G, 19A, 19B, 19E, 21A, 21B, 21E, 22A, 22B, 22E, 24A, 24B, 24E(Flax) | | 2822224CG | | 60, 80 | X | X | | | | | |
| | TRIM Nos. 30A, 30B, 30E, 32A, 32B, 32E, 36E 39A, 39B, 39E(Doeskin) | | 2822224DF | 1 | 60, 80 | X | X | | | | | |
| | TRIM Nos. 32A, 32B, 32E(Cinnabar) | | 2822224DA | 1 | 60, 80 | X | X | | | | | |
| | TRIM Nos. 34A, 34B, 34E(Indigo) | | 2822224DB | 1 | 60, 80 | X | X | | | | | |
| | TRIM Nos. 34A, 34B, 34E(Ash) | | 2822224DC | 1 | 60, 80 | X | X | | | | | |
| | TRIM Nos. 35A, 35B, 35E(Ash) | | 2822224DC | 1 | 60, 80 | X | X | | | | | |
| | TRIM Nos. 36E(Juniper) | | 2822224DE | 1 | 60, 80 | X | X | | | | | |
| | TRIM Nos. 38E(Doeskin) | | 2822224DF | 1 | 60, 80 | X | X | | | | | |
| | TRIM Nos. 39A, 39B, 39E(Chestnut) | | 2822224DG | 1 | 60, 80 | X | X | | | | | |
| | TRIM Nos. 16E, 16G, 16R, 16T(Green) | | (²⁷ 2817698CE | 1 | 69 | X | X | | X | | | |
| | TRIM Nos. 10A, 10B, 10C, 10E, 10G, 10H, 10R, 10T, 10U, 30A, 30B, 30E, 30G, 30H, 30R, 30T(Black) | | (²⁸ 9929698BA | 1 | 69 | X | X | | X | | | |
| | TRIM Nos. 16E, 16G, 16R, 16T(Green) | | (²⁸ 9929698CE | 1 | 69 | X | X | | X | | | |
| | TRIM Nos. 19A, 19B, 19E, 19G, 19R, 19T(Brown) | | (²⁸ 9929698CJ | 1 | 69 | X | X | | X | | | |
| | TRIM Nos. 21A, 21B, 21E, 21G, 21R, 21T(Saddle) | | (²⁸ 9929698CA | 1 | 69 | X | X | | X | | | |
| | TRIM Nos. 22A, 22B, 22E, 22R(Red) | | (²⁸ 9929698CB | 1 | 69 | X | X | | X | | | |
| | TRIM Nos. 24A, 24B, 24E, 24R(Blue) | | (²⁸ 9929698CD | 1 | 69 | X | X | | X | | | |
| | TRIM Nos. 28E, 28R, 28U(Flax) | | (²⁸ 9929698CG | 1 | 69 | X | X | | X | | | |
| | TRIM Nos. 10A, 10B, 10E, 10G, 10H, 10R, 10T, 10U 16E, 16G, 16R, 16T, 19A, 19B, 19E, 19G, 19R, 19T, 21A, 21B, 21E, 21G, 21R, 21T, 22A, 22B, 22E, 22R, 24A, 24B, 24E, 24R(Flax) | | (²⁸ 9929698CG | 1 | 69 | X | X | | X | | | |
| | TRIM Nos. 30A, 30B, 30E, 30G, 30H, 30R, 30T 32A, 32B, 32E, 32R, 36E, 36G, 36R, 36T, 39A 39B, 39E, 39G, 39R, 39T(Doeskin) | | (²⁸ 9929698DF | 1 | 69 | X | X | | X | | | |
| | TRIM Nos. 32A, 32B, 32E, 32R(Cinnabar) | | (²⁸ 9929698DA | 1 | 69 | X | X | | X | | | |
| | TRIM Nos. 34A, 34B, 34E, 34G, 34R, 34T(Indigo) | | (²⁸ 9929698DB | 1 | 69 | X | X | | X | | | |
| | TRIM Nos. 34A, 34B, 34E, 34G, 34R, 34T(Ash) | | (²⁸ 9929698DC | 1 | 69 | X | X | | X | | | |
| | TRIM Nos. 35A, 35B, 35E, 35G, 35R(Ash) | | (²⁸ 9929698DC | 1 | 69 | X | X | | X | | | |
| | TRIM Nos. 36E, 36G, 36R, 36T(Juniper) | | (²⁸ 9929698DE | 1 | 69 | X | X | | X | | | |
| | TRIM Nos. 38E, 38G, 38R, 38T(Doeskin) | | (²⁸ 9929698DF | 1 | 69 | X | X | | X | | | |
| | TRIM Nos. 39A, 39B, 39E, 39G, 39R, 39T(Chestnut) | | (²⁸ 9929698DG | 1 | 69 | X | X | | X | | | |
| | TRIM Nos. 10M, 10N, 10R, 10T, 10U(Black) | | (²⁷ 2820361BA | 1 | 69 | | | | | X | X | |
| | TRIM Nos. 11M, 11N, 11R, 11T, 21M, 21N, 21R, 21T(Saddle) | | 2820361CA | 1 | 69 | | | | | X | X | |
| | TRIM Nos. 12R, 22R(Red) | | (²⁷ 2820361CB | 1 | 69 | | | | | X | X | |
| | TRIM Nos. 14M, 14R, 24R(Blue) | | (²⁷ 2820361CD | 1 | 69 | | | | | X | X | |
| | TRIM Nos. 16R, 16T(Green) | | (²⁷ 2820361CE | 1 | 69 | | | | | X | X | |
| | TRIM Nos. 18M, 18N, 18R, 18U, 28M, 28N, 28R, 28U(Flax) | | 2820361CG | 1 | 69 | | | | | X | X | |
| | TRIM Nos. 19M, 19N, 19R, 19T(Brown) | | (²⁷ 2820361CJ | 1 | 69 | | | | | X | X | |
| | TRIM Nos. 10M, 10N, 10R, 10T, 10U, 11M, 11N, 11R, 11T, 12R, 14M, 14R, 16R, 16T, 19M, 19N, 19R, 19T, 21M, 21N, 21R, 21T, 22R, 24R(Flax) | | (²⁷ 2820361CG | 1 | 69 | | | | | X | X | |
| | TRIM Nos. 10M, 10N, 10R, 10T, 10U, 30M, 30N 30R, 30T(Black) | | (²⁸ 9929699BA | 1 | 69 | | | | | X | X | |
| | TRIM Nos. 16R, 16T(Green) | | (²⁸ 9929699CE | 1 | 69 | | | | | X | X | |
| | TRIM Nos. 19M, 19N, 19R, 19T(Brown) | | (²⁸ 9929699CJ | 1 | 69 | | | | | X | X | |
| | TRIM Nos. 21M, 21N, 21R, 21T(Saddle) | | (²⁸ 9929699CA | 1 | 69 | | | | | X | X | |
| | TRIM Nos. 22R(Red) | | (²⁸ 9929699CB | 1 | 69 | | | | | X | X | |
| | TRIM Nos. 24R(Blue) | | (²⁸ 9929699CD | 1 | 69 | | | | | X | X | |
| | TRIM Nos. 28M, 28N, 28R, 28U(Flax) | | (²⁸ 9929699CG | 1 | 69 | | | | | X | X | |
| | TRIM Nos. 10M, 10N, 10R, 10T, 10U, 16R, 16T 19M, 19N, 19R, 19T, 21M, 21N, 21R, 21T, 22R, 24R(Flax) | | (²⁸ 9929699CG | 1 | 69 | | | | | X | X | |

Note: (²⁷ Headlining finishes midway down dog-leg.
(²⁸ Headlining finishes at belt line.

"HQ" PARTS CATALOGUE

| GROUP | DESCRIPTION | SIDE | PART No. | QTY. | BODY STYLE | 801 802 | 803 804 | 808 | 811 812 | 814 | 815 816 | 818 |
|--|---|------|---------------------------|------|--------------------|------------|------------|-----|------------|-----|------------|-----|
| 14.640 HEADLINING ASSEMBLY (contd.) | | | | | | | | | | | | |
| | TRIM Nos. 30M, 30N, 30R, 30T, 32R, 36R, 36T | | | | | | | | | | | |
| | 39M, 39N, 39R, 39T(Doeskin) | | (⁸⁰ 9929699DF | 1 | 69 | | | | | X | X | |
| | TRIM Nos. 32R(Cinnabar) | | (⁸⁰ 9929699DA | 1 | 69 | | | | | X | X | |
| | TRIM Nos. 34M, 34N, 34R, 34T(Indigo) | | (9929699DB | 1 | 69 | | | | | X | X | |
| | TRIM Nos. 34M, 34N, 34R, 34T(Ash) | | (⁸⁰ 9929699DC | 1 | 69 | | | | | X | X | |
| | TRIM Nos. 35M, 35N, 35R(Ash) | | (⁸⁰ 9929699DC | 1 | 69 | | | | | X | X | |
| | TRIM Nos. 36R, 36T(Juniper) | | (⁸⁰ 9929699DE | 1 | 69 | | | | | X | X | |
| | TRIM Nos. 38M, 38N, 38R, 38T(Doeskin) | | (⁸⁰ 9929699DF | 1 | 69 | | | | | X | X | |
| | TRIM Nos. 39M, 39N, 39R, 39T(Chestnut) | | (⁸⁰ 9929699DG | 1 | 69 | | | | | X | X | |
| | TRIM Nos. 10A, 10B, 30A, 30B(Black) | | 2822693BA | 1 | 70 | X | | | | | | |
| | TRIM Nos. 11A, 11B, 21A, 21B(Saddle) | | 2822693CA | 1 | 70 | X | | | | | | |
| | TRIM Nos. 12A, 12B, 22A, 22B(Red) | | 2822693CB | 1 | 70 | X | | | | | | |
| | TRIM Nos. 14A, 14B, 24A, 24B(Blue) | | 2822693CD | 1 | 70 | X | | | | | | |
| | TRIM Nos. 19A, 19B(Brown) | | 2822693CJ | 1 | 70 | X | | | | | | |
| | TRIM Nos. 19C(Flax) | | 2822693CG | 1 | 70 | X | | | | | | |
| | TRIM Nos. 10A, 10B, 11A, 11B, 12A, 12B, 14A, 14B | | | | | | | | | | | |
| | 19A, 19B, 21A, 21B, 22A, 22B, 24A, 24B(Flax) | | 2822693CG | 1 | 70 | X | | | | | | |
| | TRIM Nos. 30A, 30B, 32A, 32B, 39A, 39B(Doeskin) | | 2822693DF | 1 | 70 | X | | | | | | |
| | TRIM Nos. 32A, 32B(Cinnabar) | | 2822693DA | 1 | 70 | X | | | | | | |
| | TRIM Nos. 34A, 34B(Indigo) | | 2822693DB | 1 | 70 | X | | | | | | |
| | TRIM Nos. 34A, 34B(Ash) | | 2822693DC | 1 | 70 | X | | | | | | |
| | TRIM Nos. 39A, 39B(Chestnut) | | 2822693DG | 1 | 70 | X | | | | | | |
| | TRIM Nos. 35A, 35B(Ash) | | 2822693DC | 1 | 70 | X | | | | | | |
| 14.641 PAD - Headlining Trim | | | | | | | | | | | | |
| | PAD - Rear Trim | | 7437280 | 1 | 35 | X | X | | X | | | |
| | PAD - Side trim, exc. Inertia type seat belt | | 2820433 | 2 | 35, 37 | X | X | X | X | | | X |
| | PAD - Side trim, Inertia type seat belt (19½" long) | | 2822280 | 2 | 37 | | X | X | X | | | X |
| | PAD - Side trim, Inertia type seat belt (27" long) | | 9931106 | 2 | 37 | | X | X | X | | | X |
| | PAD - Side Trim | | 2822280 | 2 | 60, 70, 80 | X | X | | | | | |
| | PAD - Side trim | | 2819241 | 2 | 69 | X | X | | X | | | |
| 14.650 LACE - Headlining Trim Front | | | | | | | | | | | | |
| | TRIM Nos. 10A, 10B, 10C, 10E, 10G, 10H, 10M, 10N, | | | | | | | | | | | |
| | 10R, 10T, 10U, 14M, 17A, 19C, 22A, 22B, 22E, | | | | | | | | | | | |
| | 22R, 24A, 24B, 24E, 24R, 28E, 28H, 28M, 28N, | | | | | | | | | | | |
| | 28R, 28U, 30A, 30B, 30E, 30G, 30H, 30M, 30N | | | | | | | | | | | |
| | 30R, 30T, 32A, 32B, 32E, 32R, 34A, 34B, 34E, | | | | | | | | | | | |
| | 34G, 34M, 34N, 34R, 34T, 38E, 36G, 36R, | | | | | | | | | | | |
| | 36T(Black) | | 2817718BA | 1 | 35, 60, 69, 70, 80 | X | X | | X | X | X | |
| | TRIM Nos. 11A, 11B, 11E, 11G, 11M, 11N, 11R, | | | | | | | | | | | |
| | 11T(Saddle) | | 2817718CA | 1 | 35, 60, 69, 70, 80 | X | X | | X | X | X | |
| | TRIM Nos. 12A, 12B, 12E, 12R(Red) | | 2817718CB | 1 | 35, 60, 69, 70, 80 | X | X | | X | X | X | |
| | TRIM Nos. 14A, 14B, 14E, 14R(Blue) | | 2817718CD | 1 | 35, 60, 69, 70, 80 | X | X | | X | X | X | |
| | TRIM Nos. 16E, 16G, 16R, 16T(Green) | | 2817718CE | 1 | 35, 60, 69, 70, 80 | X | X | | X | X | X | |
| | TRIM Nos. 18E, 18H, 18M, 18N, 18R, 18U(Flax) | | 2817718CH | 1 | 35, 60, 69, 70, 80 | X | X | | X | X | X | |
| | TRIM Nos. 19A, 19B, 19E, 19G, 19M, 19N, 19R, | | | | | | | | | | | |
| | 19T, 21A, 21B, 21E, 21G, 21M, 21N, 21R, | | | | | | | | | | | |
| | 21T(Brown) | | 2817718CJ | 1 | 35, 60, 69, 70, 80 | X | X | | X | X | X | |
| | TRIM Nos. 35A, 35B, 35E, 35G, 35M, 35N, 35R(Ash) | | 2817718DD | 1 | 35, 60, 69, 70, 80 | X | X | | X | X | X | |
| | TRIM Nos. 38E, 38G, 38M, 38N, 38R, 38T, 39A, 39B | | | | | | | | | | | |
| | 39E, 39G, 39M, 39N, 39R, 39T(Chestnut) | | 2817718DG | 1 | 35, 60, 69, 70, 80 | X | X | | X | X | X | |
| | TRIM Nos. 10E, 10R, 10S, 10X, 10Y, 10Z, 18X, 18Y, | | | | | | | | | | | |
| | 22E, 22R, 24E, 24R, 24X, 24Y, 28E, 28R, 28S, | | | | | | | | | | | |
| | 30E, 30G, 30M, 30R, 30T, 30X, 30Y, 32E, 32R, | | | | | | | | | | | |
| | 34E, 34G, 34R, 34T, 34X, 34Y, 35X, 35Y, 36E, | | | | | | | | | | | |
| | 36G, 36R, 36T, 36X, 36Y | | 2817719BA | 1 | 37 | | X | X | X | | | X |
| | TRIM Nos. 11E, 11R, 11S, 11X, 11Y | | 2817719CA | 1 | 37 | | X | X | X | | | X |
| | TRIM Nos. 12E, 12R | | 2817719CB | 1 | 37 | | X | X | X | | | X |
| | TRIM Nos. 14E, 14R, 14X, 14Y | | 2817719CD | 1 | 37 | | X | X | X | | | X |
| | TRIM Nos. 16R, 16X, 16Y | | 2817719CE | 1 | 37 | | X | X | X | | | X |
| | TRIM Nos. 18E, 18R, 18S | | 2817719CH | 1 | 37 | | X | X | X | | | X |
| | Note: (⁸⁰ Headlining finishes at belt line. | | | | | | | | | | | |

BODY

"HQ" PARTS CATALOGUE

| GROUP | DESCRIPTION | SIDE | PART No. | QTY. | BODY STYLE | 801 802 | 803 804 | 808 | 811 812 | 814 | 815 816 | 818 |
|---------------|--|------|-----------|------|------------|------------|------------|-----|------------|-----|------------|-----|
| 14.650 | LACE – Headlining Trim Front (contd.) | | | | | | | | | | | |
| | TRIM Nos. 19E, 19R, 19S, 19X, 19Y, 21E, 21R, 21S, 21X, 21Y | | 2817719CJ | 1 | 37 | | X | X | X | | | X |
| | TRIM Nos. 35E, 35G, 35R | | 2817719DD | 1 | 37 | | X | X | X | | | X |
| | TRIM Nos. 38E, 38G, 38R, 38T, 38X, 38Y, 39E, 39G, 39R, 39T, 39X, 39Y | | 2817719DG | 1 | 37 | | X | X | X | | | X |
| 14.650 | LACE – Rear Window Finish | | | | | | | | | | | |
| | TRIM Nos. 10E, 10R, 10S, 10X, 10Y, 10Z, 30E, 30G, 30H, 30R, 30T, 30X, 30Y, 35X, 35Y | | 2819693BA | 1 | 37 | | X | X | X | | | X |
| | TRIM Nos. 11E, 11R, 11S, 11X, 11Y, 21E, 21R, 21S, 21X, 21Y | | 2819693CA | 1 | 37 | | X | X | X | | | X |
| | TRIM Nos. 12E, 12R, 22E, 22R | | 2819693CB | 1 | 37 | | X | X | X | | | X |
| | TRIM Nos. 14E, 14R, 14X, 14Y, 24E, 24R, 24X, 24Y | | 2819693CD | 1 | 37 | | X | X | X | | | X |
| | TRIM Nos. 16R, 18X, 16Y | | 2819693CE | 1 | 37 | | X | X | X | | | X |
| | TRIM Nos. 18E, 18R, 18S, 18X, 18Y, 28E, 28R, 28S | | 2819693CG | 1 | 37 | | X | X | X | | | X |
| | TRIM Nos. 19E, 19R, 19S, 19X, 19Y | | 2819693CJ | 1 | 37 | | X | X | X | | | X |
| | TRIM Nos. 32E, 32R | | 2819693DA | 1 | 37 | | X | X | X | | | X |
| | TRIM Nos. 34E, 34G, 34R, 34T, 34X, 34Y | | 2819693DB | 1 | 37 | | X | X | X | | | X |
| | TRIM Nos. 35E, 35G, 35R | | 2819693DC | 1 | 37 | | X | X | X | | | X |
| | TRIM Nos. 36E, 36G, 36R, 36T, 36X, 36Y | | 2819693DE | 1 | 37 | | X | X | X | | | X |
| | TRIM Nos. 38E, 38G, 38R, 38T, 38X, 38Y | | 281969DF | 1 | 37 | | X | X | X | | | X |
| | TRIM Nos. 39E, 39G, 39R, 39T, 39X, 39Y | | 2819693DG | 1 | 37 | | X | X | X | | | X |
| | TRIM Nos. 10A, 10B, 10C, 10D, 10E, 10G, 10H, 10R, 10T, 10U, 30A, 30B, 30E, 30G, 30H, 30R, 30T 30X, 30Y, 35X, 35Y(Black) | | 2819694BA | 1 | 69 | X | X | | X | | | |
| | TRIM Nos. 11A, 11B, 11E, 11G, 11R, 11T, 21A, 21B, 21E, 21G, 21R, 21T, 81A, 81B, 81D(Saddle) | | 2819694CA | 1 | 69 | X | X | | X | | | |
| | TRIM Nos. 12A, 12B, 12E, 12R, 22A, 22B, 22E, 22R, 82A, 82B(Red) | | 2819694CB | 1 | 69 | X | X | | X | | | |
| | TRIM Nos. 14A, 14B, 14E, 14R, 24A, 24B, 24E, 24R, 84A, 84B(Blue) | | 2819694CD | 1 | 69 | X | X | | X | | | |
| | TRIM Nos. 16E, 16G, 16R, 16T, 86A(Green) | | 2819694CE | 1 | 69 | X | X | | X | | | |
| | TRIM Nos. 17A, 18E, 18H, 18R, 18U, 19C, 28E, 28H, 28R, 28U, 88A(Flax) | | 2819694CG | 1 | 69 | X | X | | X | | | |
| | TRIM Nos. 19A, 19B, 19E, 19G, 19R, 19T, 89A, 89B(Brown) | | 2819694CJ | 1 | 69 | X | X | | X | | | |
| | TRIM Nos. 10A, 10B, 10E, 10G, 10H, 10R, 10T, 10U, 11A, 11B, 11E, 11G, 11R, 11T, 12A, 12B, 12E, 12R, 14A, 14B, 14E, 14R, 16E, 16G, 16R, 16T 19A, 19B, 19E, 19G, 19R, 19T, 21A, 21B, 21E, 21G, 21R, 21T, 22A, 22B, 22E, 22R, 24A, 24B, 24E, 24R(Flax) | | 2819694CG | 1 | 69 | X | X | | X | | | |
| | TRIM Nos. 30A, 30B, 30E, 30G, 30H, 30R, 30T, 32A, 32B, 32E, 32R, 36E, 36G, 36R, 36T, 39A, 39B 39E, 39G, 39R, 39T(doeskin) | | 2819694DF | 1 | 69 | X | X | | X | | | |
| | TRIM Nos. 32A, 32B, 32E, 32R | | 2819694DA | 1 | 69 | X | X | | X | | | |
| | TRIM Nos. 34A, 34B, 34E, 34G, 34R, 34T, 34X 34Y(Indigo) | | 2819694DB | 1 | 69 | X | X | | X | | | |
| | TRIM Nos. 34A, 34B, 34E, 34G, 34R, 34T | | 2819694DC | 1 | 69 | X | X | | X | | | |
| | TRIM Nos. 35A, 35B, 35E, 35G, 35R | | 2819694DC | 1 | 69 | X | X | | X | | | |
| | TRIM Nos. 36E, 36G, 36R, 36T, 36X, 36Y | | 2819694DE | 1 | 69 | X | X | | X | | | |
| | TRIM Nos. 38E, 38G, 38R, 38T, 38X, 38Y | | 2819694DF | 1 | 69 | X | X | | X | | | |
| | TRIM Nos. 39A, 39B, 39E, 39G, 39R, 39T 39X, 39Y(Chestnut) | | 2819694DG | 1 | 69 | X | X | | X | | | |
| | TRIM Nos. 10M, 10N, 10R, 10T, 10U, 30M, 30N, 30R, 30T(Black) | | 2817661BA | 1 | 69 | | | | | X | X | |
| | TRIM Nos. 11M, 11N, 11R, 11T, 21M, 21N, 21R, 21T(Saddle) | | 2817661CA | 1 | 69 | | | | | X | X | |
| | TRIM Nos. 12R, 22R | | 2817661CB | 1 | 69 | | | | | X | X | |
| | TRIM Nos. 14M, 14R, 24R | | 2817661CD | 1 | 69 | | | | | X | X | |
| | TRIM Nos. 16R, 16T | | 2817661CE | 1 | 69 | | | | | X | X | |

"HQ" PARTS CATALOGUE

| GROUP | DESCRIPTION | SIDE | PART No. | QTY. | BODY STYLE | 801 802 | 803 804 | 808 | 811 812 | 814 | 815 816 | 818 |
|--|---|------|-----------|------|--------------------|------------|------------|-----|------------|-----|------------|-----|
| 14.650 LACE – Rear Window Finish (contd.) | | | | | | | | | | | | |
| | TRIM Nos. 18M, 18N, 18R, 18U, 28M, 28N, 28R 28U(Flax) | | 2817661CG | 1 | 69 | | | | | X | X | |
| | TRIM Nos. 19M, 19N, 19R, 19T(Brown) | | 2817661CJ | 1 | 69 | | | | | X | X | |
| | TRIM Nos. 10M, 10N, 10R, 10T, 10U, 11M, 11N, 11R, 11T, 12R, 14M, 14R, 16R, 16T, 19M, 19N, 19R, 19T, 21M, 21N, 21R, 21T, 22R, 24R(Flax) | | 2817661CG | 1 | 69 | | | | | X | X | |
| | TRIM Nos. 30M, 30N, 30R, 30T, 32R, 36R, 36T, 39M, 39N, 39R, 39T(Doeskin) | | 2817661DF | 1 | 69 | | | | | X | X | |
| | TRIM Nos. 32R(Cinnabar) | | 2817661DA | 1 | 69 | | | | | X | X | |
| | TRIM Nos. 34M, 34N, 34R, 34T(Indigo) | | 2817661DB | 1 | 69 | | | | | X | X | |
| | TRIM Nos. 34M, 34N, 34R, 34T(Ash) | | 2817661DC | 1 | 69 | | | | | X | X | |
| | TRIM Nos. 35M, 35N, 35R(Ash) | | 2817661DC | 1 | 69 | | | | | X | X | |
| | TRIM Nos. 36R, 36T(Juniper) | | 2817661DE | 1 | 69 | | | | | X | X | |
| | TRIM Nos. 38M, 38N, 38R, 38T(Doeskin) | | 2817661DF | 1 | 69 | | | | | X | X | |
| | TRIM Nos. 39M, 39N, 39R, 39T(Chestnut) | | 2817661DG | 1 | 69 | | | | | X | X | |
| 14.651 RETAINER – Headlining Trim | | | | | | | | | | | | |
| | RETAINER – Front | | 2811096 | 1 | 35, 60, 69, 70, 80 | X | X | | X | X | X | |
| | RETAINER – Front | | 2813755 | 1 | 37 | | X | X | X | | | X |
| | RETAINER – Rear | LH | 2814813 | 1 | 37 | | X | X | X | | | X |
| | | RH | 2814814 | 1 | 37 | | X | X | X | | | X |
| | RETAINER – Rear | LH | 2813037 | 1 | 69 | X | X | | X | | | |
| | | RH | 2813038 | 1 | 69 | X | X | | X | | | |
| | RETAINER – Rear upper | | 2814170 | 1 | 69 | | | | | X | X | |
| | RETAINER – Rear | LH | 2814171 | 1 | 69 | | | | | X | X | |
| | | RH | 2814172 | 1 | 69 | | | | | X | X | |
| 14.651 HOOK – Coat | | | | | | | | | | | | |
| | TRIM Nos. 10E, 10G, 10H, 10M, 10N, 10R, 10S, 10T, 10U, 10X, 10Y, 10Z, 30E, 30G, 30H, 30M, 30N, 30R, 30T, 30X, 30Y, 35X, 35Y,(Black) | | 9928929BA | 2 | 35, 37, 69 | | X | X | X | X | X | X |
| | TRIM Nos. 11E, 11G, 11M, 11N, 11R, 11S, 11T, 11X, 11Y, 21E, 21G, 21M, 21N, 21R, 21S, 21T, 21X, 21Y,(Saddle) | | 9928929CA | 2 | 35, 37, 69 | | X | X | X | X | X | X |
| | TRIM Nos. 12E, 12R, 22E, 22R(Red) | | 9928929CB | 2 | 35, 37, 69 | | X | X | X | X | X | X |
| | TRIM Nos. 14E, 14M, 14R, 14X, 14Y, 24E, 24R, 24X, 24Y(Blue) | | 9928929CD | 2 | 35, 37, 69 | | X | X | X | X | X | X |
| | TRIM Nos. 16E, 16G, 16R, 16T, 16X, 16Y(Green) | | 9928929CE | 2 | 35, 37, 69 | | X | X | X | X | X | X |
| | TRIM Nos. 18E, 18H, 18M, 18N, 18R, 18S, 18U, 18X, 18Y, 28E, 28H, 28M, 28N, 28R, 28S, 28U,(Flax) | | 9928929CG | 2 | 35, 37, 69 | | X | X | X | X | X | X |
| | TRIM Nos. 19E, 19G, 19M, 19N, 19R, 19S, 19T, 19X, 19Y(Brown) | | 9928929CJ | 2 | 35, 37, 69 | | X | X | X | X | X | X |
| | TRIM Nos. 10E, 10G, 10H, 10M, 10N, 10R, 10T, 10U, 11E, 11G, 11M, 11N, 11R, 11T, 12E, 12R, 14E, 14M, 14R, 16E, 16G, 16R, 16T, 19E, 19G, 19M, 19N, 19R, 19T, 21E, 21G, 21M, 21N, 21R, 21T, 22E, 22R, 24E, 24R(Flax) | | 9928929CG | 2 | 35, 69 | | X | | X | X | X | |
| | TRIM Nos. 30E, 30G, 30H, 30M, 30N, 30R, 30T, 32E, 32R, 36E, 36G, 36R, 36T, 39E, 39G, 39M, 39N, 39R, 39T(Doeskin) | | 9928929DF | 2 | 35, 37, 69 | | X | X | X | X | X | X |
| | TRIM Nos. 32E, 32R(Cinnabar) | | 9928929DA | 2 | 35, 37, 69 | | X | X | X | X | X | X |
| | TRIM Nos. 34E, 34G, 34M, 34N, 34R, 34T, 34X, 34Y(Indigo) | | 9928929DB | 2 | 35, 37, 69 | | X | X | X | X | X | X |
| | TRIM Nos. 34E, 34G, 34M, 34N, 34R, 34T(Ash) | | 9928929DC | 2 | 35, 37, 69 | | X | X | X | X | X | X |
| | TRIM Nos. 35E, 35G, 35M, 35N, 35R(Ash) | | 9928929DC | 2 | 35, 37, 69 | | X | X | X | X | X | X |
| | TRIM Nos. 36E, 36G, 36R, 36T, 36X, 36Y(Juniper) | | 9928929DE | 2 | 35, 37, 69 | | X | X | X | X | X | X |
| | TRIM Nos. 38E, 38G, 38M, 38N, 38R, 38T, 38X, 38Y(Doeskin) | | 9928929DF | 2 | 35, 37, 69 | | X | X | X | X | X | X |
| | TRIM Nos. 39E, 39G, 39M, 39N, 39R, 39T, 39X, 39Y(Chestnut) | | 9928929DG | 2 | 35, 37, 69 | | X | X | X | X | X | X |

"HQ" PARTS CATALOGUE

| GROUP | DESCRIPTION | SIDE | PART No. | QTY. | BODY STYLE | 801 802 | 803 804 | 808 | 811 812 | 814 | 815 816 | 818 |
|--|---|------|-----------|------|------------|------------|------------|-----|------------|-----|------------|-----|
| 14.655 PAD – Instrument Panel (Air Conditioning) | | | | | | | | | | | | |
| | TRIM Nos. 10A, 10B, 10C, 10D, 10E, 10G, 10H, 10M, 10N, 10R, 10S, 10T, 10U, 10X, 10Y, 10Z, 12A, 12B, 12E, 12R, 14A, 14B, 14E, 14M, 14R, 14X, 14Y, 17A, 18E, 18H, 18M, 18N, 18R, 18S, 18U, 18X, 18Y, 19C, 22A, 22B, 22E, 22R, 24A, 24B, 24E, 24R, 24X, 24Y, 28E, 28H, 28M, 28N, 28R, 28S, 28U, 30A, 30B, 30E, 30G, 30H, 30M, 30N, 30R, 30T, 30X, 30Y, 32A, 32B, 32E, 32R, 34A, 34B, 34E, 34G, 34M, 34N, 34R, 34T, 34X, 34Y, 35X, 35Y, 36E, 36G, 36R, 36T, 36X, 36Y(Black) | | 2812688BA | 1 | ALL | X | X | X | X | X | X | X |
| | TRIM Nos. 11A, 11B, 11E, 11G, 11M, 11N, 11R, 11S, 11T, 11X, 11Y, 19A, 19B, 19E, 19G, 19M, 19N, 19R, 19S, 19T, 19X, 19Y, 21A, 21B, 21E, 21G, 21M, 21N, 21R, 21S, 21T, 21X, 21Y(Brown) | | 2812688CJ | 1 | ALL | X | X | X | X | X | X | X |
| | TRIM Nos. 16E, 16G, 16R, 16T, 16X, 16Y(Green) | | 2812688CE | 1 | ALL | X | X | X | X | X | X | X |
| | TRIM Nos. 35A, 35B, 35E, 35G, 35M, 35N, 35R(Ash) | | 2812688DD | 1 | ALL | X | X | X | X | X | X | X |
| | TRIM Nos. 38E, 38G, 38M, 38N, 38R, 38T, 38X, 38Y, 39A, 39B, 39E, 39G, 39M, 39N, 39R, 39T, 39X, 39Y(Chestnut) | | 2812688DG | 1 | ALL | X | X | X | X | X | X | X |
| 14.655 PAD – Instrument Panel (exc. Air Conditioning) | | | | | | | | | | | | |
| | TRIM Nos. 10A, 10B, 10C, 10D, 10E, 10G, 10H, 10M, 10N, 10R, 10S, 10T, 10U, 10X, 10Y, 10Z, 12A, 12B, 12E, 12R, 14A, 14B, 14E, 14M, 14R, 14X, 14Y, 17A, 18E, 18H, 18M, 18N, 18R, 18S, 18U, 18X, 18Y, 19C, 22A, 22B, 22E, 22R, 24A, 24B, 24E, 24R, 24X, 24Y, 28E, 28H, 28M, 28N, 28R, 28S, 28U, 30A, 30B, 30E, 30G, 30H, 30M, 30N, 30R, 30T, 30X, 30Y, 32A, 32B, 32E, 32R, 34A, 34B, 34E, 34G, 34M, 34N, 34R, 34T, 34X, 34Y, 35X, 35Y, 36E, 36G, 36R, 36T, 36X, 36Y(Black) | | 2812655BA | 1 | ALL | X | X | X | X | X | X | X |
| | TRIM Nos. 11A, 11B, 11E, 11G, 11M, 11N, 11R, 11S, 11T, 11X, 11Y, 19A, 19B, 19E, 19G, 19M, 19N, 19R, 19S, 19T, 19X, 19Y, 21A, 21B, 21E, 21G, 21M, 21N, 21R, 21S, 21T, 21X, 21Y(Brown) | | 2812655CJ | 1 | ALL | X | X | X | X | X | X | X |
| | TRIM Nos. 16E, 16G, 16R, 16T, 16X, 16Y(Green) | | 2812655CE | 1 | ALL | X | X | X | X | X | X | X |
| | TRIM Nos. 35A, 35B, 35E, 35G, 35M, 35N, 35R(Ash) | | 2812655DD | 1 | ALL | X | X | X | X | X | X | X |
| | TRIM Nos. 38E, 38G, 38M, 38N, 38R, 38T, 38X, 38Y, 39A, 39B, 39E, 39G, 39M, 39N, 39R, 39T, 39X, 39Y(Chestnut) | | 2812655DG | 1 | ALL | X | X | X | X | X | X | X |
| | SCREW – Pad to front end – Rnd. hd. tap. No. 10 – 16 x .50" | | SP2242 | 3 | ALL | X | X | X | X | X | X | X |
| | NUT – Stamped No. 10 – 24 | | 273330 | 1 | ALL | X | X | X | X | X | X | X |
| | CLIP – Push on (.50" x .125" stud) | | SP2335 | 6 | ALL | X | X | X | X | X | X | X |
| | RETAINER – Pad | | 2825097 | 1 | ALL | X | X | X | X | X | X | X |
| | CLIP – Retainer to front end | | 7100321 | 6 | ALL | X | X | X | X | X | X | X |
| | SCREW – Reinforcement to pad | | 161340 | 5 | ALL | X | X | X | X | X | X | X |
| 14.685 TRIM ASSEMBLY – Front Door | | | | | | | | | | | | |
| | TRIM Nos. 10A, 10B, 10C | LH | 2816411BA | 1 | ALL | X | | | | | | |
| | | RH | 2816412BA | 1 | ALL | X | | | | | | |
| | TRIM Nos. 11A, 11B, 21A, 21B | LH | 2816411CK | 1 | ALL | X | | | | | | |
| | | RH | 2816412CK | 1 | ALL | X | | | | | | |
| | TRIM Nos. 12A, 12B, 22A, 22B | LH | 2816411CL | 1 | ALL | X | | | | | | |
| | | RH | 2816412CL | 1 | ALL | X | | | | | | |
| | TRIM Nos. 14A, 14B, 24A, 24B | LH | 2816411CS | 1 | ALL | X | | | | | | |
| | | RH | 2816412CS | 1 | ALL | X | | | | | | |
| | TRIM Nos. 17A | LH | 2816411BK | 1 | ALL | X | | | | | | |
| | | RH | 2816412BK | 1 | ALL | X | | | | | | |

"HQ" PARTS CATALOGUE

| GROUP | DESCRIPTION | SIDE | PART No. | QTY. | BODY STYLE | 801 802 | 803 804 | 808 | 811 812 | 814 | 815 816 | 818 |
|---|------------------------------------|------|-----------|------|------------|------------|------------|-----|------------|-----|------------|-----|
| 14.685 TRIM ASSEMBLY – Front Door (cohtd.) | | | | | | | | | | | | |
| | TRIM Nos. 19A, 19B | LH | 2816411CM | 1 | ALL | X | | | | | | |
| | | RH | 2816412CM | 1 | ALL | X | | | | | | |
| | TRIM Nos. 19C | LH | 2816411BL | 1 | ALL | X | | | | | | |
| | | RH | 2816412BL | 1 | ALL | X | | | | | | |
| | TRIM Nos. 30A, 30B | LH | 2816411CY | 1 | ALL | X | | | | | | |
| | | RH | 2816412CY | 1 | ALL | X | | | | | | |
| | TRIM Nos. 32A, 32B | LH | 2816411DJ | 1 | ALL | X | | | | | | |
| | | RH | 2816412DJ | 1 | ALL | X | | | | | | |
| | TRIM Nos. 34A, 34B | LH | 2816411DK | 1 | ALL | X | | | | | | |
| | | RH | 2816412DK | 1 | ALL | X | | | | | | |
| | TRIM Nos. 35A, 35B | LH | 2816411DL | 1 | ALL | X | | | | | | |
| | | RH | 2816412DL | 1 | ALL | X | | | | | | |
| | TRIM Nos. 39A, 39B | LH | 2816411DM | 1 | ALL | X | | | | | | |
| | | RH | 2816412DM | 1 | ALL | X | | | | | | |
| | TRIM Nos. 10E, 10G, 10H | LH | 2816657BA | 1 | 35, 69, 80 | | | X | | | | |
| | | RH | 2816658BA | 1 | 35, 69, 80 | | | X | | | | |
| | TRIM Nos. 11E, 11G, 21E, 21G | LH | 2816657CA | 1 | 35, 69, 80 | | | X | | | | |
| | | RH | 2816658CA | 1 | 35, 69, 80 | | | X | | | | |
| | TRIM Nos. 12E, 22E | LH | 2816657CB | 1 | 35, 69, 80 | | | X | | | | |
| | | RH | 2816658CB | 1 | 35, 69, 80 | | | X | | | | |
| | TRIM Nos. 14E, 24E | LH | 2816657CD | 1 | 35, 69, 80 | | | X | | | | |
| | | RH | 2816658CD | 1 | 35, 69, 80 | | | X | | | | |
| | TRIM Nos. 16E, 16G | LH | 2816657CE | 1 | 35, 69, 80 | | | X | | | | |
| | | RH | 2816658CE | 1 | 35, 69, 80 | | | X | | | | |
| | TRIM Nos. 18E, 18H, 28E, 28H | LH | 2816657CG | 1 | 35, 69, 80 | | | X | | | | |
| | | RH | 2816658CG | 1 | 35, 69, 80 | | | X | | | | |
| | TRIM Nos. 19E, 19G | LH | 2816657CJ | 1 | 35, 69, 80 | | | X | | | | |
| | | RH | 2816658CJ | 1 | 35, 69, 80 | | | X | | | | |
| | TRIM Nos. 30E, 30G, 30H | LH | 2816657CY | 1 | 35, 69, 80 | | | X | | | | |
| | | RH | 2816658CY | 1 | 35, 69, 80 | | | X | | | | |
| | TRIM Nos. 32E | LH | 2816657DA | 1 | 35, 69, 80 | | | X | | | | |
| | | RH | 2816658DA | 1 | 35, 69, 80 | | | X | | | | |
| | TRIM Nos. 34E, 34G | LH | 2816657DB | 1 | 35, 69, 80 | | | X | | | | |
| | | RH | 2816658DB | 1 | 35, 69, 80 | | | X | | | | |
| | TRIM Nos. 35E, 35G | LH | 2816657DC | 1 | 35, 69, 80 | | | X | | | | |
| | | RH | 2816658DC | 1 | 35, 69, 80 | | | X | | | | |
| | TRIM Nos. 36E, 36G | LH | 2816657DE | 1 | 35, 69, 80 | | | X | | | | |
| | | RH | 2816658DE | 1 | 35, 69, 80 | | | X | | | | |
| | TRIM Nos. 38E, 38G | LH | 2816657DF | 1 | 35, 69, 80 | | | X | | | | |
| | | RH | 2816658DF | 1 | 35, 69, 80 | | | X | | | | |
| | TRIM Nos. 39E, 39G | LH | 2816657DG | 1 | 35, 69, 80 | | | X | | | | |
| | | RH | 2816658DG | 1 | 35, 69, 80 | | | X | | | | |
| | TRIM Nos. 10X, 10Y, 10Z | LH | 2817819BA | 1 | 69 | | | X | | | | |
| | | RH | 2817820BA | 1 | 69 | | | X | | | | |
| | TRIM Nos. 11X, 11Y, 21X, 21Y | LH | 2817819CA | 1 | 69 | | | X | | | | |
| | | RH | 2817820CA | 1 | 69 | | | X | | | | |
| | TRIM Nos. 14X, 14Y, 24X, 24Y | LH | 2817819CD | 1 | 69 | | | X | | | | |
| | | RH | 2817820CD | 1 | 69 | | | X | | | | |
| | TRIM Nos. 16X, 16Y | LH | 2817819CE | 1 | 69 | | | X | | | | |
| | | RH | 2817820CE | 1 | 69 | | | X | | | | |
| | TRIM Nos. 18X, 18Y | LH | 2817819CG | 1 | 69 | | | X | | | | |
| | | RH | 2817820CG | 1 | 69 | | | X | | | | |
| | TRIM Nos. 19X, 19Y | LH | 2817819CJ | 1 | 69 | | | X | | | | |
| | | RH | 2817820CJ | 1 | 69 | | | X | | | | |
| | TRIM Nos. 30X, 30Y | LH | 2817819CY | 1 | 69 | | | X | | | | |
| | | RH | 2817820CY | 1 | 69 | | | X | | | | |
| | TRIM Nos. 34X, 34Y | LH | 2817819DB | 1 | 69 | | | X | | | | |
| | | RH | 2817820DB | 1 | 69 | | | X | | | | |
| | TRIM Nos. 35X, 35Y | LH | 2817819DC | 1 | 69 | | | X | | | | |
| | | RH | 2817820DC | 1 | 69 | | | X | | | | |
| | TRIM Nos. 36X, 36Y | LH | 2817819DE | 1 | 69 | | | X | | | | |
| | | RH | 2817820DE | 1 | 69 | | | X | | | | |
| | TRIM Nos. 38X, 38Y | LH | 2817819DF | 1 | 69 | | | X | | | | |
| | | RH | 2817820DF | 1 | 69 | | | X | | | | |

BODY

"HQ" PARTS CATALOGUE

| GROUP | DESCRIPTION | SIDE | PART No. | QTY. | BODY STYLE | 801 802 | 803 804 | 808 | 811 812 | 814 | 815 816 | 818 |
|---------------|--|------|-----------|------|------------|------------|------------|-----|------------|-----|------------|-----|
| 14.685 | TRIM ASSEMBLY – Front Door (contd.) | | | | | | | | | | | |
| | TRIM Nos. 39X, 39Y | LH | 2817819DG | 1 | 69 | | X | | | | | |
| | | RH | 2817820DG | 1 | 69 | | X | | | | | |
| | TRIM Nos. 10R, 10T, 10U | LH | 2817819BA | 1 | 35, 69 | | | | X | | X | |
| | | RH | 2817820BA | 1 | 35, 69 | | | | X | | X | |
| | TRIM Nos. 11R, 11T | LH | 2817819CA | 1 | 35, 69 | | | | X | | X | |
| | | RH | 2817820CA | 1 | 35, 69 | | | | X | | X | |
| | TRIM Nos. 12R, 22R | LH | 2817819CB | 1 | 35, 69 | | | | X | | X | |
| | | RH | 2817820CB | 1 | 35, 69 | | | | X | | X | |
| | TRIM Nos. 14R, 24R | LH | 2817819CD | 1 | 35, 69 | | | | X | | X | |
| | | RH | 2817820CD | 1 | 35, 69 | | | | X | | X | |
| | TRIM Nos. 16R, 16T | LH | 2817819CE | 1 | 35, 69 | | | | X | | X | |
| | | RH | 2817820CE | 1 | 35, 69 | | | | X | | X | |
| | TRIM Nos. 18R, 18U | LH | 2817819CG | 1 | 35, 69 | | | | X | | X | |
| | | RH | 2817820CG | 1 | 35, 69 | | | | X | | X | |
| | TRIM Nos. 19R, 19T | LH | 2817819CJ | 1 | 35, 69 | | | | X | | X | |
| | | RH | 2817820CJ | 1 | 35, 69 | | | | X | | X | |
| | TRIM Nos. 21R, 21T | LH | 2817819CT | 1 | 35, 69 | | | | X | | X | |
| | | RH | 2817820CT | 1 | 35, 69 | | | | X | | X | |
| | TRIM Nos. 28R, 28U | LH | 2817819CV | 1 | 35, 69 | | | | X | | X | |
| | | RH | 2817820CV | 1 | 35, 69 | | | | X | | X | |
| | TRIM Nos. 30R, 30T | LH | 2817819CY | 1 | 35, 69 | | | | X | | X | |
| | | RH | 2817820CY | 1 | 35, 69 | | | | X | | X | |
| | TRIM Nos. 32R | LH | 2817819DA | 1 | 35, 69 | | | | X | | X | |
| | | RH | 2817820DA | 1 | 35, 69 | | | | X | | X | |
| | TRIM Nos. 34R, 34T | LH | 2817819DB | 1 | 35, 69 | | | | X | | X | |
| | | RH | 2817820DB | 1 | 35, 69 | | | | X | | X | |
| | TRIM Nos. 35R | LH | 2817819DC | 1 | 35, 69 | | | | X | | X | |
| | | RH | 2817820DC | 1 | 35, 69 | | | | X | | X | |
| | TRIM Nos. 36R, 36T | LH | 2817819DE | 1 | 35, 69 | | | | X | | X | |
| | | RH | 2817820DE | 1 | 35, 69 | | | | X | | X | |
| | TRIM Nos. 38R, 38T | LH | 2817819DF | 1 | 35, 69 | | | | X | | X | |
| | | RH | 2817820DF | 1 | 35, 69 | | | | X | | X | |
| | TRIM Nos. 39R, 39T | LH | 2817819DG | 1 | 35, 69 | | | | X | | X | |
| | | RH | 2817820DG | 1 | 35, 69 | | | | X | | X | |
| | TRIM Nos. 10E | LH | 2817501BA | 1 | 37 | | X | | | | | |
| | | RH | 2817502BA | 1 | 37 | | X | | | | | |
| | TRIM Nos. 11E, 21E | LH | 2817501CA | 1 | 37 | | X | | | | | |
| | | RH | 2817502CA | 1 | 37 | | X | | | | | |
| | TRIM Nos. 12E, 22E | LH | 2817501CB | 1 | 37 | | X | | | | | |
| | | RH | 2817502CB | 1 | 37 | | X | | | | | |
| | TRIM Nos. 14E, 24E | LH | 2817501CD | 1 | 37 | | X | | | | | |
| | | RH | 2817502CD | 1 | 37 | | X | | | | | |
| | TRIM Nos. 18E, 28E | LH | 2817501CG | 1 | 37 | | X | | | | | |
| | | RH | 2817502CG | 1 | 37 | | X | | | | | |
| | TRIM Nos. 19E | LH | 2817501CJ | 1 | 37 | | X | | | | | |
| | | RH | 2817502CJ | 1 | 37 | | X | | | | | |
| | TRIM Nos. 30E, 30G, 30H | LH | 2817501CY | 1 | 37 | | X | | | | | |
| | | RH | 2817502CY | 1 | 37 | | X | | | | | |
| | TRIM Nos. 32E | LH | 2817501DA | 1 | 37 | | X | | | | | |
| | | RH | 2817502DA | 1 | 37 | | X | | | | | |
| | TRIM Nos. 34E, 34G | LH | 2817501DB | 1 | 37 | | X | | | | | |
| | | RH | 2817502DB | 1 | 37 | | X | | | | | |
| | TRIM Nos. 35E, 35G | LH | 2817501DC | 1 | 37 | | X | | | | | |
| | | RH | 2817502DC | 1 | 37 | | X | | | | | |
| | TRIM Nos. 36E, 36G | LH | 2817501DE | 1 | 37 | | X | | | | | |
| | | RH | 2817502DE | 1 | 37 | | X | | | | | |
| | TRIM Nos. 38E, 38G | LH | 2817501DF | 1 | 37 | | X | | | | | |
| | | RH | 2817502DF | 1 | 37 | | X | | | | | |
| | TRIM Nos. 39E, 39G | LH | 2817501DG | 1 | 37 | | X | | | | | |
| | | RH | 2817502DG | 1 | 37 | | X | | | | | |
| | TRIM Nos. 10R, 10S, 10X, 10Y, 10Z | LH | 2818235BA | 1 | 37 | | | X | X | | | X |
| | | RH | 2818234BA | 1 | 37 | | | X | X | | | X |
| | TRIM Nos. 11R, 11S, 11X, 11Y | LH | 2818235CA | 1 | 37 | | | X | X | | | X |
| | | RH | 2818234CA | 1 | 37 | | | X | X | | | X |

"HQ" PARTS CATALOGUE

| GROUP | DESCRIPTION | SIDE | PART No. | QTY. | BODY STYLE | 801 802 | 803 804 | 808 | 811 812 | 814 | 815 816 | 818 |
|---|--|------|-----------|------|--------------------|------------|------------|-----|------------|-----|------------|-----|
| 14.685 TRIM ASSEMBLY – Front Door (contd.) | | | | | | | | | | | | |
| | TRIM Nos. 12R, 22R | LH | 2818235CB | 1 | 37 | | | X | X | | | X |
| | | RH | 2818234CB | 1 | 37 | | | X | X | | | X |
| | TRIM Nos. 14R, 14X, 14Y, 24R, 24X, 24Y | LH | 2818235CD | 1 | 37 | | | X | X | | | X |
| | | RH | 2818234CD | 1 | 37 | | | X | X | | | X |
| | TRIM Nos. 16R, 16X, 16Y | LH | 2818235CE | 1 | 37 | | | X | X | | | X |
| | | RH | 2818234CE | 1 | 37 | | | X | X | | | X |
| | TRIM Nos. 18R, 18S, 18X, 18Y | LH | 2818235CG | 1 | 37 | | | X | X | | | X |
| | | RH | 2818234CG | 1 | 37 | | | X | X | | | X |
| | TRIM Nos. 19R, 19S, 19X, 19Y | LH | 2818235CJ | 1 | 37 | | | X | X | | | X |
| | | RH | 2818234CJ | 1 | 37 | | | X | X | | | X |
| | TRIM Nos. 21R, 21S, 21X, 21Y | LH | 2818235CT | 1 | 37 | | | X | X | | | X |
| | | RH | 2818234CT | 1 | 37 | | | X | X | | | X |
| | TRIM Nos. 28R, 28S | LH | 2818235CV | 1 | 37 | | | X | X | | | X |
| | | RH | 2818234CV | 1 | 37 | | | X | X | | | X |
| | TRIM Nos. 30R, 30T, 30X, 30Y | LH | 2818235CY | 1 | 37 | | | X | X | | | X |
| | | RH | 2818234CY | 1 | 37 | | | X | X | | | X |
| | TRIM Nos. 32R | LH | 2818235DA | 1 | 37 | | | X | X | | | X |
| | | RH | 2818234DA | 1 | 37 | | | X | X | | | X |
| | TRIM Nos. 34R, 34T, 34X, 34Y | LH | 2818235DB | 1 | 37 | | | X | X | | | X |
| | | RH | 2818234DB | 1 | 37 | | | X | X | | | X |
| | TRIM Nos. 35R, 35X, 35Y | LH | 2818235DC | 1 | 37 | | | X | X | | | X |
| | | RH | 2818234DC | 1 | 37 | | | X | X | | | X |
| | TRIM Nos. 36R, 36T, 36X, 36Y | LH | 2818235DE | 1 | 37 | | | X | X | | | X |
| | | RH | 2818234DE | 1 | 37 | | | X | X | | | X |
| | TRIM Nos. 38R, 38T, 38X, 38Y | LH | 2818235DF | 1 | 37 | | | X | X | | | X |
| | | RH | 2818234DF | 1 | 37 | | | X | X | | | X |
| | TRIM Nos. 39R, 39T, 39X, 39Y | LH | 2818235DG | 1 | 37 | | | X | X | | | X |
| | | RH | 2818234DG | 1 | 37 | | | X | X | | | X |
| | TRIM Nos. 10M, 10N | LH | 2818843BA | 1 | 69 | | | | | X | | |
| | | RH | 2818844BA | 1 | 69 | | | | | X | | |
| | TRIM Nos. 11M, 11N | LH | 2818843CA | 1 | 69 | | | | | X | | |
| | | RH | 2818844CA | 1 | 69 | | | | | X | | |
| | TRIM Nos. 14M | LH | 2818843CD | 1 | 69 | | | | | X | | |
| | | RH | 2818844CD | 1 | 69 | | | | | X | | |
| | TRIM Nos. 18M, 18N | LH | 2818843CG | 1 | 69 | | | | | X | | |
| | | RH | 2818844CG | 1 | 69 | | | | | X | | |
| | TRIM Nos. 19M, 19N | LH | 2818843CJ | 1 | 69 | | | | | X | | |
| | | RH | 2818844CJ | 1 | 69 | | | | | X | | |
| | TRIM Nos. 21M, 21N | LH | 2818843CT | 1 | 69 | | | | | X | | |
| | | RH | 2818844CT | 1 | 69 | | | | | X | | |
| | TRIM Nos. 28M, 28N | LH | 2818843CV | 1 | 69 | | | | | X | | |
| | | RH | 2818844CV | 1 | 69 | | | | | X | | |
| | TRIM Nos. 30M, 30N | LH | 2818843CY | 1 | 69 | | | | | X | | |
| | | RH | 2818844CY | 1 | 69 | | | | | X | | |
| | TRIM Nos. 34M, 34N | LH | 2818843DB | 1 | 69 | | | | | X | | |
| | | RH | 2818844DB | 1 | 69 | | | | | X | | |
| | TRIM Nos. 35M, 35N | LH | 2818843DC | 1 | 69 | | | | | X | | |
| | | RH | 2818844DC | 1 | 69 | | | | | X | | |
| | TRIM Nos. 38M, 38N | LH | 2818843DF | 1 | 69 | | | | | X | | |
| | | RH | 2818844DF | 1 | 69 | | | | | X | | |
| | TRIM Nos. 39M, 39N | LH | 2818843DG | 1 | 69 | | | | | X | | |
| | | RH | 2818844DG | 1 | 69 | | | | | X | | |
| | CLIP – Trim to door | | 7377884 | 12 | 35, 60, 69, 70, 80 | X | X | | X | X | X | |
| | CAP – Clip sealing | | 7410830 | 12 | 35, 60, 69, 70, 80 | X | X | | X | X | X | |
| | CLIP – Trim to door | | 7377884 | 14 | 37 | | X | X | X | | | X |
| | CAP – Clip sealing | | 7410830 | 14 | 37 | | X | X | X | | | X |
| | RETAINER – Trim | | 2814937 | 4 | 37 | | X | X | X | | | X |

"HQ" PARTS CATALOGUE

| GROUP | DESCRIPTION | SIDE | PART No. | QTY. | BODY STYLE | 801 802 | 803 804 | 808 | 811 812 | 814 | 815 816 | 818 |
|--|---|------|-----------|------|------------|------------|------------|-----|------------|-----|------------|-----|
| 14.686 ARM REST ASSEMBLY – Front Door | | | | | | | | | | | | |
| | TRIM Nos. 10M, 10N, 10R, 10S, 10T, 10U, 30M, 30N, 30R, 30T(Black) | LH | 2816943BA | 1 | 35, 37, 69 | | | | X | X | X | |
| | | RH | 2816942BA | 1 | 35, 37, 69 | | | | X | X | X | |
| | TRIM Nos. 11M, 11N, 11R, 11S, 11T, 21M, 21N, 21R, 21S, 21T(Saddle) | LH | 2816943CA | 1 | 35, 37, 69 | | | | X | X | X | |
| | | RH | 2816942CA | 1 | 35, 37, 69 | | | | X | X | X | |
| | TRIM Nos. 12R, 22R(Red) | LH | 2816943CB | 1 | 35, 37, 69 | | | | X | X | X | |
| | | RH | 2816942CB | 1 | 35, 37, 69 | | | | X | X | X | |
| | TRIM Nos. 14M, 14R, 24R(Blue) | LH | 2816943CD | 1 | 35, 37, 69 | | | | X | X | X | |
| | | RH | 2816942CD | 1 | 35, 37, 69 | | | | X | X | X | |
| | TRIM Nos. 16R, 16T(Green) | LH | 2816943CE | 1 | 35, 37, 69 | | | | X | X | X | |
| | | RH | 2816942CE | 1 | 35, 37, 69 | | | | X | X | X | |
| | TRIM Nos. 18M, 18N, 18R, 18S, 18U, 28M, 28N, 28R, 28S, 28U(Flax) | LH | 2816943CG | 1 | 35, 37, 69 | | | | X | X | X | |
| | | RH | 2816942CG | 1 | 35, 37, 69 | | | | X | X | X | |
| | TRIM Nos. 19M, 19N, 19R, 19S, 19T(Brown) | LH | 2816943CJ | 1 | 35, 37, 69 | | | | X | X | X | |
| | | RH | 2816942CJ | 1 | 35, 37, 69 | | | | X | X | X | |
| | TRIM Nos. 32R(Cinnabar) | LH | 2816943DA | 1 | 35, 37, 69 | | | | X | X | X | |
| | | RH | 2816942DA | 1 | 35, 37, 69 | | | | X | X | X | |
| | TRIM Nos. 34M, 34N, 34R, 34T(Indigo) | LH | 2816943DB | 1 | 35, 37, 69 | | | | X | X | X | |
| | | RH | 2816942DB | 1 | 35, 37, 69 | | | | X | X | X | |
| | TRIM Nos. 35M, 35N, 35R(Ash) | LH | 2816943DC | 1 | 35, 37, 69 | | | | X | X | X | |
| | | RH | 2816942DC | 1 | 35, 37, 69 | | | | X | X | X | |
| | TRIM Nos. 36R, 36T(Juniper) | LH | 2816943DE | 1 | 35, 37, 69 | | | | X | X | X | |
| | | RH | 2816942DE | 1 | 35, 37, 69 | | | | X | X | X | |
| | TRIM Nos. 38M, 38N, 38R, 38T(Doeskin) | LH | 2816943DF | 1 | 35, 37, 69 | | | | X | X | X | |
| | | RH | 2816942DF | 1 | 35, 37, 69 | | | | X | X | X | |
| | TRIM Nos. 39M, 39N, 39R, 39T(Chestnut) | LH | 2816943DG | 1 | 35, 37, 69 | | | | X | X | X | |
| | | RH | 2816942DG | 1 | 35, 37, 69 | | | | X | X | X | |
| | NUT – Armrest to door trim | | 4558184 | 2 | 37 | | | | X | | | |
| 14.686 ARM REST ASSEMBLY – Front Door (Power Windows) | | | | | | | | | | | | |
| | TRIM Nos. 10X, 10Y, 10Z, 30X, 30Y(Black) | LH | 2816943BA | 1 | 37 | | | X | | | | X |
| | | RH | 2816942BA | 1 | 37 | | | X | | | | X |
| | TRIM Nos. 11X, 11Y, 21X, 21Y(Saddle) | LH | 2816943CA | 1 | 37 | | | X | | | | X |
| | | RH | 2816942CA | 1 | 37 | | | X | | | | X |
| | TRIM Nos. 14X, 14Y, 24X, 24Y(Blue) | LH | 2816943CD | 1 | 37 | | | X | | | | X |
| | | RH | 2816942CD | 1 | 37 | | | X | | | | X |
| | TRIM Nos. 16X, 16Y(Green) | LH | 2816943CE | 1 | 37 | | | X | | | | X |
| | | RH | 2816942CE | 1 | 37 | | | X | | | | X |
| | TRIM Nos. 18X, 18Y(Flax) | LH | 2816943CG | 1 | 37 | | | X | | | | X |
| | | RH | 2816942CG | 1 | 37 | | | X | | | | X |
| | TRIM Nos. 19X, 19Y(Brown) | LH | 2816943CJ | 1 | 37 | | | X | | | | X |
| | | RH | 2816942CJ | 1 | 37 | | | X | | | | X |
| | TRIM Nos. 34X, 34Y(Indigo) | LH | 2816943DB | 1 | 37 | | | X | | | | X |
| | | RH | 2816942DB | 1 | 37 | | | X | | | | X |
| | TRIM Nos. 35X, 35Y(Ash) | LH | 2816943DC | 1 | 37 | | | X | | | | X |
| | | RH | 2816942DC | 1 | 37 | | | X | | | | X |
| | TRIM Nos. 36X, 36Y(Juniper) | LH | 2816943DE | 1 | 37 | | | X | | | | X |
| | | RH | 2816942DE | 1 | 37 | | | X | | | | X |
| | TRIM Nos. 38X, 38Y(Doeskin) | LH | 2816943DF | 1 | 37 | | | X | | | | X |
| | | RH | 2816942DF | 1 | 37 | | | X | | | | X |
| | TRIM Nos. 39X, 39Y(Cinnabar) | LH | 2816943DG | 1 | 37 | | | X | | | | X |
| | | RH | 2816942DG | 1 | 37 | | | X | | | | X |
| | TRIM Nos. 10X, 10Y, 10Z, 30X, 30Y(Black) | LH | 2816943BA | 1 | 69 | | X | | | | | |
| | | RH | 2816942BA | 1 | 69 | | X | | | | | |
| | TRIM Nos. 11X, 11Y, 21X, 21Y(Saddle) | LH | 2816943CA | 1 | 69 | | X | | | | | |
| | | RH | 2816942CA | 1 | 69 | | X | | | | | |
| | TRIM Nos. 14X, 14Y, 24X, 24Y(Blue) | LH | 2816943CD | 1 | 69 | | X | | | | | |
| | | RH | 2816942CD | 1 | 69 | | X | | | | | |
| | TRIM Nos. 16X, 16Y(Green) | LH | 2816943CE | 1 | 69 | | X | | | | | |
| | | RH | 2816942CE | 1 | 69 | | X | | | | | |

"HQ" PARTS CATALOGUE

| GROUP | DESCRIPTION | SIDE | PART No. | QTY. | BODY STYLE | 801 802 | 803 804 | 808 | 811 812 | 814 | 815 816 | 818 |
|---|--|------|-----------|------|----------------|------------|------------|-----|------------|-----|------------|-----|
| 14.686 ARM REST ASSEMBLY – Front Door (Power Windows) (contd.) | | | | | | | | | | | | |
| | TRIM Nos. 18X, 18Y(Flax) | LH | 2816943CG | 1 | 69 | | X | | | | | |
| | | RH | 2816942CG | 1 | 69 | | X | | | | | |
| | TRIM Nos. 19X, 19Y(Brown) | LH | 2816943CJ | 1 | 69 | | X | | | | | |
| | | RH | 2816942CJ | 1 | 69 | | X | | | | | |
| | TRIM Nos. 34X, 34Y(Indigo) | LH | 2816943DB | 1 | 69 | | X | | | | | |
| | | RH | 2816942DB | 1 | 69 | | X | | | | | |
| | TRIM Nos. 35X, 35Y(Ash) | LH | 2816943DC | 1 | 69 | | X | | | | | |
| | | RH | 2816942DC | 1 | 69 | | X | | | | | |
| | TRIM Nos. 36X, 36Y(Juniper) | LH | 2816943DE | 1 | 69 | | X | | | | | |
| | | RH | 2816942DE | 1 | 69 | | X | | | | | |
| | TRIM Nos. 38X, 38Y(Doeskin) | LH | 2816943DF | 1 | 69 | | X | | | | | |
| | | RH | 2816942DF | 1 | 69 | | X | | | | | |
| | TRIM Nos. 39X, 39Y(Chestnut) | LH | 2816943DG | 1 | 69 | | X | | | | | |
| | | RH | 2816942DG | 1 | 69 | | X | | | | | |
| 14.686 ARM REST ASSEMBLY – Front Door (exc. Power Windows) | | | | | | | | | | | | |
| | TRIM Nos. 10A, 10B, 10C, 10E, 10G, 10H, 10X, 10Y, 10Z, 30A, 30B, 30E, 30G, 30H, 30X, 30Y(Black) | LH | 2816469BA | 1 | 35, 37, 69, 80 | X | X | X | | | | X |
| | | RH | 2816470BA | 1 | 35, 37, 69, 80 | X | X | X | | | | X |
| | TRIM Nos. 11A, 11B, 11E, 11G, 11X, 11Y, 21A, 21B, 21E, 21G, 21X, 21Y(Saddle) | LH | 2816469CA | 1 | 35, 37, 69, 80 | X | X | X | | | | X |
| | | RH | 2816470CA | 1 | 35, 37, 69, 80 | X | X | X | | | | X |
| | TRIM Nos. 12A, 12B, 12E, 22A, 22B, 22E(Red) | LH | 2816469CB | 1 | 35, 37, 69, 80 | X | X | X | | | | X |
| | | RH | 2816470CB | 1 | 35, 37, 69, 80 | X | X | X | | | | X |
| | TRIM Nos. 14A, 14B, 14E, 14X, 14Y, 24A, 24B, 24E, 24X, 24Y(Blue) | LH | 2816469CD | 1 | 35, 37, 69, 80 | X | X | X | | | | X |
| | | RH | 2816470CD | 1 | 35, 37, 69, 80 | X | X | X | | | | X |
| | TRIM Nos. 16E, 16G, 16X, 16Y(Green) | LH | 2816469CE | 1 | 35, 37, 69, 80 | X | X | X | | | | X |
| | | RH | 2816470CE | 1 | 35, 37, 69, 80 | X | X | X | | | | X |
| | TRIM Nos. 18E, 18H, 18X, 18Y, 28E, 28H(Flax) | LH | 2816469CG | 1 | 35, 37, 69, 80 | X | X | X | | | | X |
| | | RH | 2816470CG | 1 | 35, 37, 69, 80 | X | X | X | | | | X |
| | TRIM Nos. 19A, 19B, 19E, 19G, 19X, 19Y(Brown) | LH | 2816469CJ | 1 | 35, 37, 89, 80 | X | X | X | | | | X |
| | | RH | 2816470CJ | 1 | 35, 37, 69, 80 | X | X | X | | | | X |
| | TRIM Nos. 32A, 32B, 32E(Cinnabar) | LH | 2816469DA | 1 | 35, 37, 69, 80 | X | X | X | | | | X |
| | | RH | 2816470DA | 1 | 35, 37, 69, 80 | X | X | X | | | | X |
| | TRIM Nos. 34A, 34B, 34E, 34G, 34X, 34Y(Indigo) | LH | 2816469DB | 1 | 35, 37, 69, 80 | X | X | X | | | | X |
| | | RH | 2816470DB | 1 | 35, 37, 69, 80 | X | X | X | | | | X |
| | TRIM Nos. 35A, 35B, 35E, 35G, 35X, 35Y(Ash) | LH | 2816469DC | 1 | 35, 37, 69, 80 | X | X | X | | | | X |
| | | RH | 2816470DC | 1 | 35, 37, 69, 80 | X | X | X | | | | X |
| | TRIM Nos. 36E, 36G, 36X, 36Y(Juniper) | LH | 2816469DE | 1 | 35, 37, 69, 80 | X | X | X | | | | X |
| | | RH | 2816470DE | 1 | 35, 37, 69, 80 | X | X | X | | | | X |
| | TRIM Nos. 38E, 38G, 38X, 38Y(Doeskin) | LH | 2816469DF | 1 | 35, 37, 69, 80 | X | X | X | | | | X |
| | | RH | 2816470DF | 1 | 35, 37, 69, 80 | X | X | X | | | | X |
| | TRIM Nos. 39A, 39B, 39E, 39G, 39X, 39Y(Chestnut) | LH | 2816469DG | 1 | 35, 37, 69, 80 | X | X | X | | | | X |
| | | RH | 2816470DG | 1 | 35, 37, 69, 80 | X | X | X | | | | X |
| 14.691 EMBLEM – Front Door Trim | | | | | | | | | | | | |
| | EMBLEM – Door trim | | 2818586 | 2 | 69 | | | | | X | | |
| 14.694 SEAL – Front Door Inner Panel | | | | | | | | | | | | |
| | SEAL – Material 24" x 18" | | M36827 | AR | ALL | X | X | X | X | X | X | X |
| 14.730 TRIM – Centre Pillar | | | | | | | | | | | | |
| | TRIM Nos. 10E, 10G, 10H, 10M, 10N, 10R, 10T, 10U | LH | D215BA | 1 | 35, 69 | | X | | X | X | X | |
| | | RH | D216BA | 1 | 35, 69 | | X | | X | X | X | |
| | TRIM Nos. 11E, 11G, 11M, 11N, 11R, 11T, 21E, 21G 21M, 21N, 21R, 21T | LH | D215CA | 1 | 35, 69 | | X | | X | X | X | |
| | | RH | D216CA | 1 | 35, 69 | | X | | X | X | X | |
| | TRIM Nos. 12E, 12R, 22E, 22R | LH | D215CB | 1 | 35, 69 | | X | | X | X | X | |
| | | RH | D216CB | 1 | 35, 69 | | X | | X | X | X | |

"HQ" PARTS CATALOGUE

| GROUP | DESCRIPTION | SIDE | PART No. | QTY. | BODY STYLE | 801 802 | 803 804 | 808 | 811 812 | 814 | 815 816 | 818 |
|---|---|------|-----------|------|------------|------------|------------|-----|------------|-----|------------|-----|
| 14.730 TRIM – Centre Pillar (contd.) | | | | | | | | | | | | |
| | TRIM Nos. 14E, 14M, 14R, 24E, 24R | LH | D215CD | 1 | 35, 69 | | X | | X | X | X | |
| | | RH | D216CD | 1 | 35, 69 | | X | | X | X | X | |
| | TRIM Nos. 16E, 16G, 16R, 16T | LH | D215CE | 1 | 35, 69 | | X | | X | X | X | |
| | | RH | D216CE | 1 | 35, 69 | | X | | X | X | X | |
| | TRIM Nos. 18E, 18H, 18M, 18N, 18R, 18U, 28E, 28H, 28M, 28N, 28R, 28U | LH | D215CG | 1 | 35, 69 | | X | | X | X | X | |
| | | RH | D216CG | 1 | 35, 69 | | X | | X | X | X | |
| | TRIM Nos. 19E, 19G, 19M, 19N, 19R, 19T | LH | D215CJ | 1 | 35, 69 | | X | | X | X | X | |
| | | RH | D216CJ | 1 | 35, 69 | | X | | X | X | X | |
| | TRIM Nos. 30E, 30G, 30H, 30M, 30N, 30R, 30T, 30X, 30Y | LH | D215CY | 1 | 35, 69 | | X | | X | X | X | |
| | | RH | D216CY | 1 | 35, 69 | | X | | X | X | X | |
| | TRIM Nos. 32E, 32R | LH | D215DA | 1 | 35, 69 | | X | | X | X | X | |
| | | RH | D216DA | 1 | 35, 69 | | X | | X | X | X | |
| | TRIM Nos. 34E, 34G, 34M, 34N, 34R, 34T, 34X, 34Y | LH | D215DB | 1 | 35, 69 | | X | | X | X | X | |
| | | RH | D216DB | 1 | 35, 69 | | X | | X | X | X | |
| | TRIM Nos. 35E, 35G, 35M, 35N, 35R, 35X, 35Y | LH | D215DC | 1 | 35, 69 | | X | | X | X | X | |
| | | RH | D216DC | 1 | 35, 69 | | X | | X | X | X | |
| | TRIM Nos. 36E, 36G, 36R, 36T, 36X, 36Y | LH | D215DE | 1 | 35, 69 | | X | | X | X | X | |
| | | RH | D216DE | 1 | 35, 69 | | X | | X | X | X | |
| | TRIM Nos. 38E, 38G, 38M, 38N, 38R, 38T, 38X, 38Y | LH | D215DF | 1 | 35, 69 | | X | | X | X | X | |
| | | RH | D216DF | 1 | 35, 69 | | X | | X | X | X | |
| | TRIM Nos. 39E, 39G, 39M, 39N, 39R, 39T, 39X, 39Y | LH | D215DG | 1 | 35, 69 | | X | | X | X | X | |
| | | RH | D216DG | 1 | 35, 69 | | X | | X | X | X | |
| 14.731 PAD – Centre Pillar Trim | | | | | | | | | | | | |
| | PAD | | 2819539 | 1 | 69 | | | | | X | | |
| 14.760 TRIM ASSEMBLY – Rear Door | | | | | | | | | | | | |
| | TRIM Nos. 10A, 10B, 10C | LH | 2816293BA | 1 | 35, 69 | | X | | | | | |
| | | RH | 2816294BA | 1 | 35, 69 | | X | | | | | |
| | TRIM Nos. 11A, 11B, 21A, 21B | LH | 2816293CK | 1 | 35, 69 | | X | | | | | |
| | | RH | 2816294CK | 1 | 35, 69 | | X | | | | | |
| | TRIM Nos. 12A, 12B, 22A, 22B | LH | 2816293CL | 1 | 35, 69 | | X | | | | | |
| | | RH | 2816294CL | 1 | 35, 69 | | X | | | | | |
| | TRIM Nos. 14A, 14B, 24A, 24B | LH | 2816293CS | 1 | 35, 69 | | X | | | | | |
| | | RH | 2816294CS | 1 | 35, 69 | | X | | | | | |
| | TRIM Nos. 17A | LH | 2816293BK | 1 | 35, 69 | | X | | | | | |
| | | RH | 2816294BK | 1 | 35, 69 | | X | | | | | |
| | TRIM Nos. 19A, 19B | LH | 2816293CM | 1 | 35, 69 | | X | | | | | |
| | | RH | 2816294CM | 1 | 35, 69 | | X | | | | | |
| | TRIM Nos. 19C | LH | 2816293BL | 1 | 35, 69 | | X | | | | | |
| | | RH | 2816294BL | 1 | 35, 69 | | X | | | | | |
| | TRIM Nos. 30A, 30B | LH | 2816293CY | 1 | 35, 69 | | X | | | | | |
| | | RH | 2816294CY | 1 | 35, 69 | | X | | | | | |
| | TRIM Nos. 32A, 32B | LH | 2816293DJ | 1 | 35, 69 | | X | | | | | |
| | | RH | 2816294DJ | 1 | 35, 69 | | X | | | | | |
| | TRIM Nos. 34A, 34B | LH | 2816293DK | 1 | 35, 69 | | X | | | | | |
| | | RH | 2816294DK | 1 | 35, 69 | | X | | | | | |
| | TRIM Nos. 35A, 35B | LH | 2816293DL | 1 | 35, 69 | | X | | | | | |
| | | RH | 2816294DL | 1 | 35, 69 | | X | | | | | |
| | TRIM Nos. 39A, 39B | LH | 2816293DM | 1 | 35, 69 | | X | | | | | |
| | | RH | 2816294DM | 1 | 35, 69 | | X | | | | | |
| | TRIM Nos. 10E, 10G, 10H | LH | 2816667BA | 1 | 35, 69 | | | X | | | | |
| | | RH | 2816668BA | 1 | 35, 69 | | | X | | | | |
| | TRIM Nos. 11E, 11G, 21E, 21G | LH | 2816667CA | 1 | 35, 69 | | | X | | | | |
| | | RH | 2816668CA | 1 | 35, 69 | | | X | | | | |
| | TRIM Nos. 12E, 22E | LH | 2816667CB | 1 | 35, 69 | | | X | | | | |
| | | RH | 2816668CB | 1 | 35, 69 | | | X | | | | |
| | TRIM Nos. 14E, 24E | LH | 2816667CD | 1 | 35, 69 | | | X | | | | |
| | | RH | 2816668CD | 1 | 35, 69 | | | X | | | | |
| | TRIM Nos. 16E, 16G | LH | 2816667CE | 1 | 35, 69 | | | X | | | | |
| | | RH | 2816668CE | 1 | 35, 69 | | | X | | | | |

"HQ" PARTS CATALOGUE

| GROUP | DESCRIPTION | SIDE | PART No. | QTY. | BODY STYLE | 801 802 | 803 804 | 808 | 811 812 | 814 | 815 816 | 818 |
|---------------|---|------|-----------|------|------------|------------|------------|-----|------------|-----|------------|-----|
| 14.760 | TRIM ASSEMBLY – Rear Door (contd.) | | | | | | | | | | | |
| | TRIM Nos. 18E, 18H, 28E, 28H | LH | 2816667CG | 1 | 35, 69 | | X | | | | | |
| | | RH | 2816668CG | 1 | 35, 69 | | X | | | | | |
| | TRIM Nos. 19E, 19G | LH | 2816667CJ | 1 | 35, 69 | | X | | | | | |
| | | RH | 2816668CJ | 1 | 35, 69 | | X | | | | | |
| | TRIM Nos. 30E, 30G, 30H | LH | 2816667CY | 1 | 35, 69 | | X | | | | | |
| | | RH | 2816668CY | 1 | 35, 69 | | X | | | | | |
| | TRIM Nos. 32E | LH | 2816667DA | 1 | 35, 69 | | X | | | | | |
| | | RH | 2816668DA | 1 | 35, 69 | | X | | | | | |
| | TRIM Nos. 34E, 34G | LH | 2816667DB | 1 | 35, 69 | | X | | | | | |
| | | RH | 2816668DB | 1 | 35, 69 | | X | | | | | |
| | TRIM Nos. 35E, 35G | LH | 2816667DC | 1 | 35, 69 | | X | | | | | |
| | | RH | 2816668DC | 1 | 35, 69 | | X | | | | | |
| | TRIM Nos. 36E, 36G | LH | 2816667DE | 1 | 35, 69 | | X | | | | | |
| | | RH | 2816668DE | 1 | 35, 69 | | X | | | | | |
| | TRIM Nos. 38E, 38G | LH | 2816667DF | 1 | 35, 69 | | X | | | | | |
| | | RH | 2816668DF | 1 | 35, 69 | | X | | | | | |
| | TRIM Nos. 39E, 39G | LH | 2816667DG | 1 | 35, 69 | | X | | | | | |
| | | RH | 2816668DG | 1 | 35, 69 | | X | | | | | |
| | TRIM Nos. 10X, 10Y, 10Z | LH | 2818047BA | 1 | 69 | | X | | | | | |
| | | RH | 2818046BA | 1 | 69 | | X | | | | | |
| | TRIM Nos. 11X, 11Y, 21X, 21Y | LH | 2818047CA | 1 | 69 | | X | | | | | |
| | | RH | 2818046CA | 1 | 69 | | X | | | | | |
| | TRIM Nos. 14X, 14Y, 24X, 24Y | LH | 2818047CD | 1 | 69 | | X | | | | | |
| | | RH | 2818046CD | 1 | 69 | | X | | | | | |
| | TRIM Nos. 16X, 16Y | LH | 2818047CE | 1 | 69 | | X | | | | | |
| | | RH | 2818046CE | 1 | 69 | | X | | | | | |
| | TRIM Nos. 18X, 18Y | LH | 2818047CG | 1 | 69 | | X | | | | | |
| | | RH | 2818046CG | 1 | 69 | | X | | | | | |
| | TRIM Nos. 19X, 19Y | LH | 2818047CJ | 1 | 69 | | X | | | | | |
| | | RH | 2818046CJ | 1 | 69 | | X | | | | | |
| | TRIM Nos. 30X, 30Y | LH | 2818047CY | 1 | 69 | | X | | | | | |
| | | RH | 2818046CY | 1 | 69 | | X | | | | | |
| | TRIM Nos. 34X, 34Y | LH | 2818047DB | 1 | 69 | | X | | | | | |
| | | RH | 2818046DB | 1 | 69 | | X | | | | | |
| | TRIM Nos. 35X, 35Y | LH | 2818047DC | 1 | 69 | | X | | | | | |
| | | RH | 2818046DC | 1 | 69 | | X | | | | | |
| | TRIM Nos. 36X, 36Y | LH | 2818047DE | 1 | 69 | | X | | | | | |
| | | RH | 2818046DE | 1 | 69 | | X | | | | | |
| | TRIM Nos. 38X, 38Y | LH | 2818047DF | 1 | 69 | | X | | | | | |
| | | RH | 2818046DF | 1 | 69 | | X | | | | | |
| | TRIM Nos. 39X, 39Y | LH | 2818047DG | 1 | 69 | | X | | | | | |
| | | RH | 2818046DG | 1 | 69 | | X | | | | | |
| | TRIM Nos. 10R, 10T, 10U | LH | 2818047BA | 1 | 35, 69 | | | | X | | X | |
| | | RH | 2818046BA | 1 | 35, 69 | | | | X | | X | |
| | TRIM Nos. 11R, 11T | LH | 2818047CA | 1 | 35, 69 | | | | X | | X | |
| | | RH | 2818046CA | 1 | 35, 69 | | | | X | | X | |
| | TRIM Nos. 12R, 22R | LH | 2818047CB | 1 | 35, 69 | | | | X | | X | |
| | | RH | 2818046CB | 1 | 35, 69 | | | | X | | X | |
| | TRIM Nos. 14R, 24R | LH | 2818047CD | 1 | 35, 69 | | | | X | | X | |
| | | RH | 2818046CD | 1 | 35, 69 | | | | X | | X | |
| | TRIM Nos. 16R, 16T | LH | 2818047CE | 1 | 35, 69 | | | | X | | X | |
| | | RH | 2818046CE | 1 | 35, 69 | | | | X | | X | |
| | TRIM Nos. 18R, 18U | LH | 2818047CG | 1 | 35, 69 | | | | X | | X | |
| | | RH | 2818046CG | 1 | 35, 69 | | | | X | | X | |
| | TRIM Nos. 19R, 19T | LH | 2818047CJ | 1 | 35, 69 | | | | X | | X | |
| | | RH | 2818046CJ | 1 | 35, 69 | | | | X | | X | |
| | TRIM Nos. 21R, 21T | LH | 2818047CT | 1 | 35, 69 | | | | X | | X | |
| | | RH | 2818046CT | 1 | 35, 69 | | | | X | | X | |
| | TRIM Nos. 28R, 28U | LH | 2818047CV | 1 | 35, 69 | | | | X | | X | |
| | | RH | 2818046CV | 1 | 35, 69 | | | | X | | X | |
| | TRIM Nos. 30R, 30T | LH | 2818047CY | 1 | 35, 69 | | | | X | | X | |
| | | RH | 2818046CY | 1 | 35, 69 | | | | X | | X | |
| | TRIM Nos. 32R | LH | 2818047DA | 1 | 35, 69 | | | | X | | X | |
| | | RH | 2818046DA | 1 | 35, 69 | | | | X | | X | |

BODY

"HQ" PARTS CATALOGUE

| GROUP | DESCRIPTION | SIDE | PART No. | QTY. | BODY STYLE | 801 802 | 803 804 | 808 | 811 812 | 814 | 815 816 | 818 |
|---|--|------|-----------|------|------------|------------|------------|-----|------------|-----|------------|-----|
| 14.760 TRIM ASSEMBLY – Rear Door (contd.) | | | | | | | | | | | | |
| | TRIM Nos. 34R, 34T | LH | 2818047DB | 1 | 35, 69 | | | | X | | X | |
| | | RH | 2818046DB | 1 | 35, 69 | | | | X | | X | |
| | TRIM Nos. 35R | LH | 2818047DC | 1 | 35, 69 | | | | X | | X | |
| | | RH | 2818046DC | 1 | 35, 69 | | | | X | | X | |
| | TRIM Nos. 36R, 36T | LH | 2818047DE | 1 | 35, 69 | | | | X | | X | |
| | | RH | 2818046DE | 1 | 35, 69 | | | | X | | X | |
| | TRIM Nos. 38R, 38T | LH | 2818047DF | 1 | 35, 69 | | | | X | | X | |
| | | RH | 2818046DF | 1 | 35, 69 | | | | X | | X | |
| | TRIM Nos. 39R, 39T | LH | 2818047DG | 1 | 35, 69 | | | | X | | X | |
| | | RH | 2818046DG | 1 | 35, 69 | | | | X | | X | |
| | TRIM Nos. 10M, 10N | LH | 2818845BA | 1 | 69 | | | | | X | | |
| | | RH | 2818846BA | 1 | 69 | | | | | X | | |
| | TRIM Nos. 11M, 11N | LH | 2818845CA | 1 | 69 | | | | | X | | |
| | | RH | 2818846CA | 1 | 69 | | | | | X | | |
| | TRIM Nos. 14M | LH | 2818845CD | 1 | 69 | | | | | X | | |
| | | RH | 2818846CD | 1 | 69 | | | | | X | | |
| | TRIM Nos. 18M, 18N | LH | 2818845CG | 1 | 69 | | | | | X | | |
| | | RH | 2818846CG | 1 | 69 | | | | | X | | |
| | TRIM Nos. 19M, 19N | LH | 2818845CJ | 1 | 69 | | | | | X | | |
| | | RH | 2818846CJ | 1 | 69 | | | | | X | | |
| | TRIM Nos. 21M, 21N | LH | 2818845CT | 1 | 69 | | | | | X | | |
| | | RH | 2818846CT | 1 | 69 | | | | | X | | |
| | TRIM Nos. 28M, 28N | LH | 2818845CV | 1 | 69 | | | | | X | | |
| | | RH | 2818846CV | 1 | 69 | | | | | X | | |
| | TRIM Nos. 30M, 30N | LH | 2818845CY | 1 | 69 | | | | | X | | |
| | | RH | 2818846CY | 1 | 69 | | | | | X | | |
| | TRIM Nos. 34M, 34N | LH | 2818845DB | 1 | 69 | | | | | X | | |
| | | RH | 2818846DB | 1 | 69 | | | | | X | | |
| | TRIM Nos. 35M, 35N | LH | 2818845DC | 1 | 69 | | | | | X | | |
| | | RH | 2818846DC | 1 | 69 | | | | | X | | |
| | TRIM Nos. 38M, 38N | LH | 2818845DF | 1 | 69 | | | | | X | | |
| | | RH | 2818846DF | 1 | 69 | | | | | X | | |
| | TRIM Nos. 39M, 39N | LH | 2818845DG | 1 | 69 | | | | | X | | |
| | | RH | 2818846DG | 1 | 69 | | | | | X | | |
| | CLIP – Trim to door | | 7377884 | 10 | 35, 69 | X | X | | X | X | X | |
| | CAP – Clip sealing | | 7410830 | 10 | 35, 69 | X | X | | X | X | X | |
| 14.762 ARM REST ASSEMBLY – Rear Door, Rear Quarter | | | | | | | | | | | | |
| | TRIM Nos. 10E, 10G, 10H, 30E, 30G, 30H | LH | 2816939BA | 1 | 35, 69 | | X | | | | | |
| | | RH | 2816938BA | 1 | 35, 69 | | X | | | | | |
| | TRIM Nos. 11E, 11G, 21E, 21G | LH | 2816939CA | 1 | 35, 69 | | X | | | | | |
| | | RH | 2816938CA | 1 | 35, 69 | | X | | | | | |
| | TRIM Nos. 12E, 22E | LH | 2816939CB | 1 | 35, 69 | | X | | | | | |
| | | RH | 2816938CB | 1 | 35, 69 | | X | | | | | |
| | TRIM Nos. 14E, 24E | LH | 2816939CD | 1 | 35, 69 | | X | | | | | |
| | | RH | 2816938CD | 1 | 35, 69 | | X | | | | | |
| | TRIM Nos. 16E, 16G | LH | 2816939CE | 1 | 35, 69 | | X | | | | | |
| | | RH | 2816938CE | 1 | 35, 69 | | X | | | | | |
| | TRIM Nos. 18E, 18H, 28E, 28H | LH | 2816939CG | 1 | 35, 69 | | X | | | | | |
| | | RH | 2816938CG | 1 | 35, 69 | | X | | | | | |
| | TRIM Nos. 19E, 19G | LH | 2816939CJ | 1 | 35, 69 | | X | | | | | |
| | | RH | 2816938CJ | 1 | 35, 69 | | X | | | | | |
| | TRIM Nos. 32E | LH | 2816939DA | 1 | 35, 69 | | X | | | | | |
| | | RH | 2816938DA | 1 | 35, 69 | | X | | | | | |
| | TRIM Nos. 34E, 34G | LH | 2816939DB | 1 | 35, 69 | | X | | | | | |
| | | RH | 2816938DB | 1 | 35, 69 | | X | | | | | |
| | TRIM Nos. 35E, 35G | LH | 2816939DC | 1 | 35, 69 | | X | | | | | |
| | | RH | 2816938DC | 1 | 35, 69 | | X | | | | | |
| | TRIM Nos. 36E, 36G | LH | 2816939DE | 1 | 35, 69 | | X | | | | | |
| | | RH | 2816938DE | 1 | 35, 69 | | X | | | | | |
| | TRIM Nos. 38E, 38G | LH | 2816939DF | 1 | 35, 69 | | X | | | | | |
| | | RH | 2816938DF | 1 | 35, 69 | | X | | | | | |

"HQ" PARTS CATALOGUE

| GROUP | DESCRIPTION | SIDE | PART No. | QTY. | BODY STYLE | 801 802 | 803 804 | 808 | 811 812 | 814 | 815 816 | 818 |
|--|---|------|-----------|------|------------|------------|------------|-----|------------|-----|------------|-----|
| 14.762 ARM REST ASSEMBLY – Rear Door, Rear Quarter (contd.) | | | | | | | | | | | | |
| | TRIM Nos. 39E, 39G(Chestnut) | LH | 2816939DG | 1 | 35, 69 | | X | | | | | |
| | | RH | 2816938DG | 1 | 35, 69 | | X | | | | | |
| | TRIM Nos. 10E, 10R, 10S, 10X, 10Y, 10Z, 30E, 30G, 30H, 30R, 30T, 30X, 30Y(Black) | | 2816972BA | 2 | 37 | | X | X | X | | | X |
| | TRIM Nos. 11E, 11R, 11S, 11X, 11Y, 21E, 21R, 21S, 21X, 21Y(Saddle) | | 2816972CA | 2 | 37 | | X | X | X | | | X |
| | TRIM Nos. 12E, 12R, 22E, 22R(Red) | | 2816972CB | 2 | 37 | | X | X | X | | | X |
| | TRIM Nos. 14E, 14R, 14X, 14Y, 24E, 24R, 24X, 24Y(Blue) | | 2816972CD | 2 | 37 | | X | X | X | | | X |
| | TRIM Nos. 16R, 16X, 16Y(Green) | | 2816972CE | 2 | 37 | | X | X | X | | | X |
| | TRIM Nos. 18E, 18R, 18S, 18X, 18Y, 28E, 28R, 28S(Flax) | | 2816972CG | 2 | 37 | | X | X | X | | | X |
| | TRIM Nos. 19E, 19R, 19S, 19X, 19Y(Brown) | | 2816972CJ | 2 | 37 | | X | X | X | | | X |
| | TRIM Nos. 32E, 32R(Cinnabar) | | 2816972DA | 2 | 37 | | X | X | X | | | X |
| | TRIM Nos. 34E, 34G, 34R, 34T, 34X, 34Y(Indigo) | | 2816972DB | 2 | 37 | | X | X | X | | | X |
| | TRIM Nos. 35E, 35G, 35R, 35X, 35Y(Ash) | | 2816972DC | 2 | 37 | | X | X | X | | | X |
| | TRIM Nos. 36E, 36G, 36R, 36T, 36X, 36Y(Juniper) | | 2816972DE | 2 | 37 | | X | X | X | | | X |
| | TRIM Nos. 38E, 38G, 38R, 38T, 38X, 38Y(Doeskin) | | 2816972DF | 2 | 37 | | X | X | X | | | X |
| | TRIM Nos. 39E, 39G, 39R, 39T, 39X, 39Y(Chestnut) | | 2816972DG | 2 | 37 | | X | X | X | | | X |
| | TRIM Nos. 10M, 10N, 10R, 10T, 10U(Black) | LH | 2816935BA | 1 | 69 | | | | X | X | X | |
| | | RH | 2816934BA | 1 | 69 | | | | X | X | X | |
| | TRIM Nos. 11M, 11N, 11R, 11T, 21M, 21N, 21R, 21T(Saddle) | LH | 2816935CA | 1 | 69 | | | | X | X | X | |
| | | RH | 2816934CA | 1 | 69 | | | | X | X | X | |
| | TRIM Nos. 12R, 22R(Red) | LH | 2816935CB | 1 | 69 | | | | X | X | X | |
| | | RH | 2816934CB | 1 | 69 | | | | X | X | X | |
| | TRIM Nos. 14M, 14R, 24M(Blue) | LH | 2816935CD | 1 | 69 | | | | X | X | X | |
| | | RH | 2816934CD | 1 | 69 | | | | X | X | X | |
| | TRIM Nos. 16R, 16T(Green) | LH | 2816935CE | 1 | 69 | | | | X | X | X | |
| | | RH | 2816934CE | 1 | 69 | | | | X | X | X | |
| | TRIM Nos. 18M, 18N, 18R, 18U, 28M, 28N, 28R, 28U(Flax) | LH | 2816935CG | 1 | 69 | | | | X | X | X | |
| | | RH | 2816934CG | 1 | 69 | | | | X | X | X | |
| | TRIM Nos. 19M, 19N, 19R, 19T(Brown) | LH | 2816935CJ | 1 | 69 | | | | X | X | X | |
| | | RH | 2816934CJ | 1 | 69 | | | | X | X | X | |
| | TRIM Nos. 10M, 10N, 10R, 10T, 10U, 30M, 30N, 30R, 30T(Black) | LH | 2829981BA | 1 | 69 | | | | X | X | X | |
| | | RH | 2829982BA | 1 | 69 | | | | X | X | X | |
| | TRIM Nos. 11M, 11N, 11R, 11T, 21M, 21N, 21R, 21T(Saddle) | LH | 2829981CA | 1 | 69 | | | | X | X | X | |
| | | RH | 2829982CA | 1 | 69 | | | | X | X | X | |
| | TRIM Nos. 12R, 22R(Red) | LH | 2829981CB | 1 | 69 | | | | X | X | X | |
| | | RH | 2829982CB | 1 | 69 | | | | X | X | X | |
| | TRIM Nos. 14M, 14R, 24R(Blue) | LH | 2829981CD | 1 | 69 | | | | X | X | X | |
| | | RH | 2829982CD | 1 | 69 | | | | X | X | X | |
| | TRIM Nos. 16R, 16T(Green) | LH | 2829981CE | 1 | 69 | | | | X | X | X | |
| | | RH | 2829982CE | 1 | 69 | | | | X | X | X | |
| | TRIM Nos. 18M, 18N, 18R, 18U, 28M, 28N, 28R, 28U(Flax) | LH | 2829981CG | 1 | 69 | | | | X | X | X | |
| | | RH | 2829982CG | 1 | 69 | | | | X | X | X | |
| | TRIM Nos. 19M, 19N, 19R, 19T(Brown) | LH | 2829981CJ | 1 | 69 | | | | X | X | X | |
| | | RH | 2829982CJ | 1 | 69 | | | | X | X | X | |
| | TRIM Nos. 32R(Cinnabar) | LH | 2829981DA | 1 | 69 | | | | X | X | X | |
| | | RH | 2829982DA | 1 | 69 | | | | X | X | X | |
| | TRIM Nos. 34M, 34N, 34R, 34T(Indigo) | LH | 2829981DB | 1 | 69 | | | | X | X | X | |
| | | RH | 2829982DB | 1 | 69 | | | | X | X | X | |
| | TRIM Nos. 35M, 35N, 35R(Ash) | LH | 2829981DC | 1 | 69 | | | | X | X | X | |
| | | RH | 2829982DC | 1 | 69 | | | | X | X | X | |

Note: (28) Armrest without ashtray.
(29) Armrest with ashtray.

"HQ" PARTS CATALOGUE

| GROUP | DESCRIPTION | SIDE | PART No. | QTY. | BODY STYLE | 801 802 | 803 804 | 808 | 811 812 | 814 | 815 816 | 818 |
|---|--|------|---------------------------|------|------------|------------|------------|-----|------------|-----|------------|-----|
| 14.762 ARM REST ASSEMBLY – Rear Door, Rear Quarter (contd.) | | | | | | | | | | | | |
| | TRIM Nos. 36R, 36T(Juniper) | LH | (⁸⁰ 2829981DE | 1 | 69 | | | | X | X | X | |
| | | RH | (⁸⁰ 2829982DE | 1 | 69 | | | | X | X | X | |
| | TRIM Nos. 38M, 38N, 38R, 38T(Doeskin) | LH | (⁸⁰ 2829981DF | 1 | 69 | | | | X | X | X | |
| | | RH | (⁸⁰ 2829982DF | 1 | 69 | | | | X | X | X | |
| | TRIM Nos. 39M, 39N, 39R, 39T(Chestnut) | LH | (⁸⁰ 2829981DG | 1 | 69 | | | | X | X | X | |
| | | RH | (⁸⁰ 2829982DG | 1 | 69 | | | | X | X | X | |
| 14.762 ARMREST ASSEMBLY – Rear Door (Power Windows) | | | | | | | | | | | | |
| | TRIM Nos. 10X, 10Y, 10Z, 30X, 30Y(Black) | LH | 2829981BA | 1 | 69 | | X | | | | | |
| | | RH | 2829982BA | 1 | 69 | | X | | | | | |
| | TRIM Nos. 11X, 11Y, 21X, 21Y(Saddle) | LH | 2829981CA | 1 | 69 | | X | | | | | |
| | | RH | 2829982CA | 1 | 69 | | X | | | | | |
| | TRIM Nos. 14X, 14Y, 24X, 24Y(Blue) | LH | 2829981CD | 1 | 69 | | X | | | | | |
| | | RH | 2829982CD | 1 | 69 | | X | | | | | |
| | TRIM Nos. 16X, 16Y(Green) | LH | 2829981CE | 1 | 69 | | X | | | | | |
| | | RH | 2829982CE | 1 | 69 | | X | | | | | |
| | TRIM Nos. 18X, 18Y(Flax) | LH | 2829981CG | 1 | 69 | | X | | | | | |
| | | RH | 2829982CG | 1 | 69 | | X | | | | | |
| | TRIM Nos. 18X, 19Y(Brown) | LH | 2829981CJ | 1 | 69 | | X | | | | | |
| | | RH | 2829982CJ | 1 | 69 | | X | | | | | |
| | TRIM Nos. 34X, 34Y(Indigo) | LH | 2829981DB | 1 | 69 | | X | | | | | |
| | | RH | 2829982DB | 1 | 69 | | X | | | | | |
| | TRIM Nos. 35X, 35Y(Ash) | LH | 2829981DC | 1 | 69 | | X | | | | | |
| | | RH | 2829982DC | 1 | 69 | | X | | | | | |
| | TRIM Nos. 36X, 36Y(Juniper) | LH | 2829981DE | 1 | 69 | | X | | | | | |
| | | RH | 2829982DE | 1 | 69 | | X | | | | | |
| | TRIM Nos. 38X, 38Y(Doeskin) | LH | 2829981DF | 1 | 69 | | X | | | | | |
| | | RH | 2829982DF | 1 | 69 | | X | | | | | |
| | TRIM Nos. 39X, 39Y(Chestnut) | LH | 2829981DG | 1 | 69 | | X | | | | | |
| | | RH | 2829982DG | 1 | 69 | | X | | | | | |
| 14.768 SEAL – Rear Door Inner Panel | | | | | | | | | | | | |
| | SEAL – Material 24" x 18" | | M36827 | AR | ALL | X | X | X | X | X | X | X |
| 14.796 SEAT ASSEMBLY, HEAD RESTRAINT ASSEMBLY – Front | | | | | | | | | | | | |
| CURRENT PRODUCTION FRONT SEAT ASSEMBLIES AND HEAD RESTRAINT ASSEMBLIES WILL BE SUPPLIED IN CURRENT PRODUCTION TRIM ON A FIRM ORDER BASIS. | | | | | | | | | | | | |
| 14.796 HEAD RESTRAINT PACKAGE – Front Seat Back | | | | | | | | | | | | |
| | TRIM Nos. 10A, 10B, 10C, 10E, 10G, 10H, 10M, 10N, 10R, 10S, 10T, 10U, 10X, 10Y, 10Z | | 2823100BA | 2 | ALL | X | X | X | X | X | X | X |
| | TRIM Nos. 11A, 11B, 11E, 11G, 11M, 11N, 11R, 11S, 11T, 11X, 11Y, 21A, 21B, 21E, 21G, 21M, 21N, 21R, 21S, 21T, 21X, 21Y | | 2823100CA | 2 | ALL | X | X | X | X | X | X | X |
| | TRIM Nos. 12A, 12B, 12E, 12R, 22A, 22B, 22E, 22R | | 2823100CB | 2 | ALL | X | X | X | X | X | X | X |
| | TRIM Nos. 14A, 14B, 14E, 14R, 14X, 14Y, 24A, 24B, 24E, 24R, 24X, 24Y | | 2823100CD | 2 | ALL | X | X | X | X | X | X | X |
| | TRIM Nos. 16E, 16G, 16R, 16T, 16X, 16Y | | 2823100CE | 2 | ALL | X | X | X | X | X | X | X |
| | TRIM Nos. 18E, 18H, 18M, 18N, 18R, 18S, 18U, 18X, 18Y, 28E, 28H, 28M, 28N, 28R, 28S, 28U | | 2823100CG | 2 | ALL | X | X | X | X | X | X | X |
| | TRIM Nos. 19A, 19B, 19E, 19G, 19M, 19N, 19R, 19T, 19X, 19Y | | 2823100CJ | 2 | ALL | X | X | X | X | X | X | X |
| | TRIM Nos. 30A, 30B, 30E, 30G, 30H, 30M, 30N, 30R, 30T, 30X, 30Y | | 2823100CY | 2 | ALL | X | X | X | X | X | X | X |
| | TRIM Nos. 32A, 32B, 32E, 32R | | 2823100DA | 2 | ALL | X | X | X | X | X | X | X |
| | TRIM Nos. 34A, 34B, 34E, 34G, 34M, 34N, 34R, 34T, 34X, 34Y | | 2823100DB | 2 | ALL | X | X | X | X | X | X | X |
| | Note: (⁸⁰ Armrest with ashtray. | | | | | | | | | | | |

"HQ" PARTS CATALOGUE

| GROUP | DESCRIPTION | SIDE | PART No. | QTY. | BODY STYLE | 801 802 | 803 804 | 808 | 811 812 | 814 | 815 816 | 818 |
|---|--|------|--------------|------|--------------------|------------|------------|-----|------------|-----|------------|-----|
| 14.796 HEAD RESTRAINT PACKAGE – Front Seat Back (contd.) | | | | | | | | | | | | |
| | TRIM Nos. 35A, 35B, 35E, 35G, 35M, 35N, 35R, 35X 35Y | | 2823100DC | 2 | ALL | X | X | X | X | X | X | X |
| | TRIM Nos. 36E, 36G, 36R, 36T, 36X, 36Y | | 2823100DE | 2 | ALL | X | X | X | X | X | X | X |
| | TRIM Nos. 38E, 38G, 38M, 38N, 38R, 38T, 38X, 38Y | | 2823100DE | 2 | ALL | X | X | X | X | X | X | X |
| | TRIM Nos. 39A, 39B, 39E, 39G, 39M, 39N, 39R, 39T, 39X, 39Y | | 2823100DG | 2 | ALL | X | X | X | X | X | X | X |
| 14.798 BELT ASSEMBLY – Front Seat – Lap & Shoulder (Britax) | | | | | | | | | | | | |
| | TRIM Nos. 10A, 10B, 10C, 10E, 10G, 10H, 10M, 10N, 10R, 10T, 10U, 14M, 17A, 18E, 18H, 18M, 18N, 18R, 18U, 19C, 22A, 22B, 22E, 22R, 24A, 24B, 24E, 24R, 28E, 28H, 28M, 28N, 28R, 28U, 30A, 30B, 30E, 30G, 30H, 30R, 30T, 32A, 32B, 32E, 32R, 34A, 34B, 34E, 34G, 34R, 34T, 36E, 36G, 36R, 36T(Black) | | (' 2818828BA | 2 | 35, 60, 69, 70, 80 | X | X | | X | X | X | |
| | TRIM Nos. 11A, 11B, 11E, 11G, 11M, 11N, 11R, 11T(Saddle) | | (' 2818828CA | 2 | 35, 60, 69, 70, 80 | X | X | | X | X | X | |
| | TRIM Nos. 12A, 12B, 12E, 12R(Red) | | (' 2818828CB | 2 | 35, 60, 69, 70, 80 | X | X | | X | X | X | |
| | TRIM Nos. 14A, 14B, 14E, 14R(Blue) | | (' 2818828CD | 2 | 35, 60, 69, 70, 80 | X | X | | X | X | X | |
| | TRIM Nos. 16E, 16G, 16R, 16T(Green) | | (' 2818828CE | 2 | 35, 60, 69, 70, 80 | X | X | | X | X | X | |
| | TRIM Nos. 19A, 19B, 19E, 19G, 19M, 19N, 19R, 19T 21A, 21B, 21E, 21G, 21M, 21N, 21R 21T(Brown) | | (' 2818828CJ | 2 | 35, 60, 69, 70, 80 | X | X | | X | X | X | |
| | TRIM Nos. 35A, 35B, 35E, 35G, 35R(Ash) | | (' 2818828DD | 2 | 35, 60, 69, 70, 80 | X | X | | X | | X | |
| | TRIM Nos. 38E, 38G, 38R, 38T, 39A, 39B, 39E, 39G 39R, 39T(Chestnut) | | (' 2818831DG | 2 | 37 | | X | X | X | | | X |
| | TRIM Nos. 10E, 10R, 10S, 10X, 10Y, 10Z, 18E, 18R, 18S, 18X, 18Y, 22E, 22R, 24E, 24R, 24X, 24Y, 28E, 28R, 28S, 30E, 30G, 30H, 30R, 30T, 30X, 30Y, 32E, 32R, 34E, 34G, 34R, 34T, 34X, 34Y, 35X, 35Y, 36E, 36G, 36R, 36T, 36X, 36Y(Black) | | (' 2818831BA | 2 | 37 | | X | X | X | | | X |
| | TRIM Nos. 11E, 11R, 11S, 11X, 11Y(Saddle) | | (' 2818831CA | 2 | 37 | | X | X | X | | | X |
| | TRIM Nos. 12E, 12R(Red) | | (' 2818831CB | 2 | 37 | | X | X | X | | | X |
| | TRIM Nos. 14E, 14R, 14X, 14Y(Blue) | | (' 2818831CD | 2 | 37 | | X | X | X | | | X |
| | TRIM Nos. 16R, 16X, 16Y(Green) | | (' 2818831CE | 2 | 37 | | X | X | X | | | X |
| | TRIM Nos. 19E, 19R, 19S, 19X, 19Y, 21E, 21R, 21S, 21X, 21Y(Brown) | | (' 2818831CJ | 2 | 37 | | X | X | X | | | X |
| | TRIM Nos. 35E, 35G, 35R(Ash) | | (' 2818831DD | 2 | 37 | | X | X | X | | | X |
| | TRIM Nos. 38E, 38G, 38R, 38T, 38X, 38Y, 39E, 39G 39R, 39T, 39X, 39Y(Chestnut) | | (' 2818831DG | 2 | 37 | | X | X | X | | | X |
| 14.798 BELT ASSEMBLY – Front seat – Lap & shoulder (Cooldrive) | | | | | | | | | | | | |
| | TRIM Nos. 10A, 10B, 10C, 10E, 10G, 10H, 10M, 10N, 10R, 10T, 10U, 14M, 17A, 18E, 18H, 18M, 18N, 18R, 18U, 19C, 22A, 22B, 22E, 22R, 24A, 24B, 24E, 24R, 28E, 28H, 28M, 28N, 28R, 28U, 30A, 30B, 30E, 30G, 30H, 30R, 30T, 32A, 32B, 32E, 32R, 34A, 34B, 34E, 34G, 34R, 34T, 36E, 36G, 36R, 36T(Black) | | (' 2818827BA | 2 | 35, 60, 69, 70, 80 | X | X | | X | X | X | |
| | TRIM Nos. 11A, 11B, 11E, 11G, 11M, 11N, 11R, 11T(Saddle) | | (' 2818827CA | 2 | 35, 60, 69, 70, 80 | X | X | | X | X | X | |
| | TRIM Nos. 12A, 12B, 12E, 12R(Red) | | (' 2818827CB | 2 | 35, 60, 69, 70, 80 | X | X | | X | X | X | |
| | TRIM Nos. 14A, 14B, 14E, 14R(Blue) | | (' 2818827CD | 2 | 35, 60, 69, 70, 80 | X | X | | X | X | X | |
| | TRIM Nos. 16E, 16G, 16R, 16T(Green) | | (' 2818827CE | 2 | 35, 60, 69, 70, 80 | X | X | | X | X | X | |
| | TRIM Nos. 19A, 19B, 19E, 19G, 19M, 19N, 19R, 19T 21A, 21B, 21E, 21G, 21M, 21N, 21R, 21T(Brown) | | (' 2818827CJ | 2 | 35, 60, 69, 70, 80 | X | X | | X | X | X | |
| | TRIM Nos. 35A, 35B, 35E, 35G, 35R(Ash) | | (' 2818827DD | 2 | 35, 60, 69, 70, 80 | X | X | | X | | X | |
| | TRIM Nos. 38E, 38G, 38R, 38T, 39A, 39B, 39E, 39G, 39R, 39T(Chestnut) | | (' 2818827DG | 2 | 35, 60, 69, 70, 80 | X | X | | X | | X | |
| <p>Note: (' Three manufacturers' seat belts were used in Production. It is desirable to replace with same type as initial equipment. Identification. BRITAX – Flat section buckle COOLDRIVE – Centre section of buckle raised RAINSFORD – Branded R.M.P. on back of buckle.</p> | | | | | | | | | | | | |

"HQ" PARTS CATALOGUE

| GROUP | DESCRIPTION | SIDE | PART No. | QTY. | BODY STYLE | 801 802 | 803 804 | 808 | 811 812 | 814 | 815 816 | 818 |
|--|--|------|--------------|------|--------------------|------------|------------|-----|------------|-----|------------|-----|
| 14.798 BELT ASSEMBLY – Front seat – Lap & shoulder (Cooldrive) (contd.) | | | | | | | | | | | | |
| | TRIM Nos. 10E, 10R, 10S, 10X, 10Y, 10Z, 18E, 18R, 18S, 18X, 18Y, 22E, 22R, 24E, 24R, 24X, 24Y, 28E, 28R, 28S, 30E, 30G, 30H, 30R, 30T, 30X, 30Y, 32E, 32R, 34E, 34G, 34R, 34T, 34X, 34Y, 35X, 35Y, 36E, 36G, 36R, 36T, 36X, 36Y(Black) | | (' 2818830BA | 2 | 37 | | X | X | X | | | X |
| | TRIM Nos. 11E, 11R, 11S, 11X, 11Y(Saddle) | | (' 2818830CA | 2 | 37 | | X | X | X | | | X |
| | TRIM Nos. 12E, 12R(Red) | | (' 2818830CB | 2 | 37 | | X | X | X | | | X |
| | TRIM Nos. 14E, 14R, 14X, 14Y(Blue) | | (' 2818830CD | 2 | 37 | | X | X | X | | | X |
| | TRIM Nos. 16R, 16X, 16Y(Green) | | (' 2818830CE | 2 | 37 | | X | X | X | | | X |
| | TRIM Nos. 19E, 19R, 19S, 19X, 19Y, 21E, 21R, 21S, 21X, 21Y(Brown) | | (' 2818830CJ | 2 | 37 | | X | X | X | | | X |
| | TRIM Nos. 35E, 35G, 35R(Ash) | | (' 2818830DD | 2 | 37 | | X | X | X | | | X |
| | TRIM Nos. 38E, 38G, 38R, 38T, 38X, 38Y, 39E, 39G, 39R, 39T, 39X, 39Y(Chestnut) | | (' 2818830DG | 2 | 37 | | X | X | X | | | X |
| 14.798 BELT ASSEMBLY – Front Seat – Lap & Shoulder (Rainsford) | | | | | | | | | | | | |
| | TRIM Nos. 10A, 10B, 10C, 10E, 10G, 10H, 10M, 10N, 10R, 10T, 10U, 14M, 17A, 18E, 18H, 18M, 18N, 18R, 18U, 19C, 22A, 22B, 22E, 22R, 24A, 24B, 24E, 24R, 28E, 28H, 28M, 28N, 28R, 28U, 30A, 30B, 30E, 30G, 30H, 30R, 30T, 32A, 32B, 32E, 32R, 34A, 34B, 34E, 34G, 34R, 34T, 36E, 36G, 36R, 36T(Black) | | (' 2818829BA | 2 | 35, 60, 69, 70, 80 | X | X | | X | X | X | |
| | TRIM Nos. 11A, 11B, 11E, 11G, 11M, 11N, 11R, 11T(Saddle) | | (' 2818829CA | 2 | 35, 60, 69, 70, 80 | X | X | | X | X | X | |
| | TRIM Nos. 12A, 12B, 12E, 12R(Red) | | (' 2818829CB | 2 | 35, 60, 69, 70, 80 | X | X | | X | X | X | |
| | TRIM Nos. 14A, 14B, 14E, 14R(Blue) | | (' 2818829CD | 2 | 35, 60, 69, 70, 80 | X | X | | X | X | X | |
| | TRIM Nos. 16E, 16G, 16R, 16T(Green) | | (' 2818829CE | 2 | 35, 60, 69, 70, 80 | X | X | | X | X | X | |
| | TRIM Nos. 19A, 19B, 19E, 19G, 19M, 19N, 19R, 19T, 21A, 21B, 21E, 21G, 21M, 21N, 21R, 21T(Brown) | | (' 2818829CJ | 2 | 35, 60, 69, 70, 80 | X | X | | X | X | X | |
| | TRIM Nos. 35A, 35B, 35E, 35G, 35R(Ash) | | (' 2818829DD | 2 | 35, 60, 69, 70, 80 | X | X | | X | | X | |
| | TRIM Nos. 38E, 38G, 38R, 38T, 39A, 39B, 39E, 39G, 39R, 39T(Chestnut) | | (' 2818829DG | 2 | 35, 60, 69, 70, 80 | X | X | | X | | X | |
| | TRIM Nos. 10E, 10R, 10S, 10X, 10Y, 10Z, 18E, 18R, 18S, 18X, 18Y, 22E, 22R, 24E, 24R, 24X, 24Y, 28E, 28R, 28S, 30E, 30G, 30H, 30R, 30T, 30X, 30Y, 32E, 32R, 34E, 34G, 34R, 34T, 34X, 34Y, 35X, 35Y, 36E, 36G, 36R, 36T, 36X, 36Y(Black) | | (' 2818832BA | 2 | 37 | | X | X | X | | | X |
| | TRIM Nos. 11E, 11R, 11S, 11X, 11Y(Saddle) | | (' 2818832CA | 2 | 37 | | X | X | X | | | X |
| | TRIM Nos. 12E, 12R(Red) | | (' 2818832CB | 2 | 37 | | X | X | X | | | X |
| | TRIM Nos. 14E, 14R, 14X, 14Y(Blue) | | (' 2818832CD | 2 | 37 | | X | X | X | | | X |
| | TRIM Nos. 16R, 16X, 16Y(Green) | | (' 2818832CE | 2 | 37 | | X | X | X | | | X |
| | TRIM Nos. 19E, 19R, 19S, 19X, 19Y, 21E, 21R, 21S, 21X, 21Y(Brown) | | (' 2818832CJ | 2 | 37 | | X | X | X | | | X |
| | TRIM Nos. 35E, 35G, 35R(Ash) | | (' 2818832DD | 2 | 37 | | X | X | X | | | X |
| | TRIM Nos. 38E, 38G, 38R, 38T, 38X, 38Y, 39E, 39G, 39R, 39T, 39X, 39Y(Chestnut) | | (' 2818832DG | 2 | 37 | | X | X | X | | | X |
| 14.798 BELT ASSEMBLY – Front seat – Lap & shoulder (Bench seat) (Inertia) | | | | | | | | | | | | |
| | TRIM Nos. 10A, 10E, 10G, 10H, 10M, 10N, 10R, 10T, 10U, 14M, 17A, 18E, 18H, 18M, 18N, 18R, 18U, 19C, 22A, 22E, 22R, 24A, 24E, 24R, 28E, 28H, 28M, 28N, 28R, 28U, 30A, 30E, 30G, 30H, 30M, 30N, 30R, 30T, 32A, 32E, 32R, 34A, 34E, 34G, 34M, 34N, 34R, 34T, 36E, 36G, 36R, 36T(Black) | | 2824828BA | 2 | 35, 69 | X | X | | X | X | X | |
| Note: (' Three manufacturers' seat belts were used in Production. It is desirable to replace with same type as initial equipment. Identification. BRITAX – Flat section buckle COOLDRIVE - Centre section of buckle raised RAINSFORD – Branded R.M.P. on back of buckle. | | | | | | | | | | | | |

"HQ" PARTS CATALOGUE

| GROUP | DESCRIPTION | SIDE | PART No. | QTY. | BODY STYLE | 801 802 | 803 804 | 808 | 811 812 | 814 | 815 816 | 818 |
|---|--|----------|------------------------|--------|--------------------|------------|------------|--------|------------|--------|------------|--------|
| 14.798 BELT ASSEMBLY – Front seat – Lap & shoulder (Bench seat) (Inertia type) (contd.) | | | | | | | | | | | | |
| | TRIM Nos. 11A, 11E, 11G, 11M, 11N, 11R, 11T, 19A, 19E, 19G, 19M, 19N, 19R, 19T, 21A, 21E, 21G, 21M, 21N, 21R, 21T(Brown) | | 2824828CJ | 2 | 35, 69 | X | X | | X | X | X | |
| | TRIM Nos. 16E, 16G, 16R, 16T(Green) | | 2824828CE | 2 | 35, 69 | X | X | | X | X | X | |
| | TRIM Nos. 35A, 35E, 35G, 35M, 35N, 35R(Ash) | | 2824828DD | 2 | 35, 69 | X | X | | X | X | X | |
| | TRIM Nos. 38E, 38G, 38M, 38N, 38R, 38T, 39A, 39E, 39G, 39M, 39N, 39R, 39T(Chestnut) | | 2824828DG | 2 | 35, 69 | X | X | | X | X | X | |
| 14.798 BELT ASSEMBLY – Front seat – Lap & shoulder (Bucket seat) (Inertia type) | | | | | | | | | | | | |
| | TRIM Nos. 10A, 10E, 10G, 10H, 10M, 10N, 10R, 10T, 10U, 14M, 17A, 18E, 18H, 18M, 18N, 18R, 18U 19C, 22A, 22E, 22R, 24A, 24E, 24R, 28E, 28H, 28M, 28N, 28R, 28U, 30A, 30E, 30G, 30H, 30M, 30N, 30R, 30T, 32A, 32E, 32R, 34A, 34E 34G, 34M, 34N, 34R, 34T, 36E, 36G, 36R 36T(Black) | LH RH | 2824827BA 2824826BA | 1 1 | 35, 69 35, 69 | X X | X X | | X X | X X | X X | |
| | TRIM Nos. 11A, 11E, 11G, 11M, 11N, 11R, 11T, 19A, 19E, 19G, 19M, 19N, 19R, 19T, 21A, 21E, 21G, 21M, 21N, 21R, 21T(Brown) | LH RH | 2824827CJ 2824826CJ | 1 1 | 35, 69 35, 69 | X X | X X | | X X | X X | X X | |
| | TRIM Nos. 16E, 16G, 16R, 16T(Green) | LH RH | 2824827CE 2824826CE | 1 1 | 35, 69 35, 69 | X X | X X | | X X | X X | X X | |
| | TRIM Nos. 35A, 35E, 35G, 35M, 35N, 35R(Ash) | LH RH | 2824827DD 2824826DD | 1 1 | 35, 69 35, 69 | X X | X X | | X X | X X | X X | |
| | TRIM Nos. 38E, 38G, 38M, 38N, 38R, 38T, 39A, 39E, 39G, 39M, 39N, 39R, 39T(Chestnut) | LH RH | 2824827DG 2824826DG | 1 1 | 35, 69 35, 69 | X X | X X | | X X | X X | X X | |
| | TRIM Nos. 30E, 30G, 30H, 30R, 30T, 30X, 30Y, 32E, 32R, 34E, 34G, 34R, 34T, 34X, 34Y, 35X 35Y, 36E, 36G, 36R, 36T, 36X, 36Y(Black) | LH RH | 9931623BA 9931624BA | 1 1 | 37 37 | | X X | X X | X X | | | X X |
| | TRIM Nos. 35E, 35G, 35R(Ash) | LH RH | 9931623DD 9931624DD | 1 1 | 37 37 | | X X | X X | X X | | | X X |
| | TRIM Nos. 38E, 38G, 38R, 38T, 38X, 38Y, 39E, 39G, 39R, 39T, 39X, 39Y(Chestnut) | LH RH | 9931623DG 9931624DG | 1 1 | 37 37 | | X X | X X | X X | | | X X |
| 14.798 BELT ASSEMBLY – Front seat – Lap & shoulder (Rainsford) (Bench seat) (Mini buckle) | | | | | | | | | | | | |
| | TRIM Nos. 10A, 10B, 10C, 10E, 10G, 10H, 10R, 10T, 10U, 17A, 18E, 18H, 18R, 18U, 19C, 22A, 22B, 22E, 22R, 24A, 24B, 24E, 24R, 28E, 28H, 28R, 28U, 30A, 30B, 30E, 30G, 30H, 30R, 30T, 32A, 32B, 32E, 32R, 34A, 34B, 34E, 34G, 34R, 34T, 36E 36G, 36R, 36T(Black) | | 9931580BA | 2 | 35, 60, 69, 70, 80 | X | X | | X | | X | |
| | TRIM Nos. 16E, 16G, 16R, 16T(Green) | | 9931580CE | 2 | 35, 60, 69, 70, 80 | X | X | | X | | X | |
| | TRIM Nos. 19A, 19B, 19E, 19G, 19R, 19T, 21A, 21B, 21E, 21G, 21R, 21T(Brown) | | 9931580CJ | 2 | 35, 60, 69, 70, 80 | X | X | | X | | X | |
| | TRIM Nos. 35A, 35B, 35E, 35G, 35R(Ash) | | 9931580DD | 2 | 35, 60, 69, 70, 80 | X | X | | X | | X | |
| | TRIM Nos. 38E, 38G, 38R, 38T, 39A, 39B, 39E, 39G, 39R, 39T(Chestnut) | | 9931580DG | 2 | 35, 60, 69, 70, 80 | X | X | | X | | X | |
| 14.798 BELT ASSEMBLY – Front seat – Lap & shoulder (Rainsford) (Bucket seat) (Mini buckle) | | | | | | | | | | | | |
| | TRIM Nos. 10A, 10B, 10C, 10E, 10G, 10H, 10R, 10T, 10U, 17A, 18E, 18H, 18R, 18U, 19C, 22A, 22B, 22E, 22R, 24A, 24B, 24E, 24R, 28E, 28H, 28R, 28U, 30A, 30B, 30E, 30G, 30H, 30R, 30T, 32A, 32B, 32E, 32R, 34A, 34B, 34E, 34G, 34R, 34T, 36E, 36G, 36R, 36T(Black) | | 9931581BA | 2 | 35, 60, 69, 70, 80 | X | X | | X | | X | |
| | TRIM Nos. 16E, 16G, 16R, 16T(Green) | | 9931581CE | 2 | 35, 60, 69, 70, 80 | X | X | | X | | X | |

BODY

"HQ" PARTS CATALOGUE

| GROUP | DESCRIPTION | SIDE | PART No. | QTY. | BODY STYLE | 801 802 | 803 804 | 808 | 811 812 | 814 | 815 816 | 818 |
|--|---|------|--------------|------|--------------------|------------|------------|-----|------------|-----|------------|-----|
| 14.798 BELT ASSEMBLY – Front seat – Lap & shoulder (Rainsford) | | | | | | | | | | | | |
| (Bucket seat) (Mini buckle) (contd.) | | | | | | | | | | | | |
| | TRIM Nos. 19A, 19B, 19E, 19G, 19R, 19T, 21A, 21B, 21E, 21G, 21R, 21T(Brown) | | 9931581CJ | 2 | 35, 60, 69, 70, 80 | X | X | | X | | X | |
| | TRIM Nos. 35A, 35B, 35E, 35G, 35R(Ash) | | 9931581DD | 2 | 35, 60, 69, 70, 80 | X | X | | X | | X | |
| | TRIM Nos. 38E, 38G, 38R, 38T, 39A, 39B, 39E, 39G, 39R, 39T(Chestnut) | | 9931581DG | 2 | 35, 60, 69, 70, 80 | X | X | | X | | X | |
| 14.798 BELT ASSEMBLY – Front Seat – Centre Lap (Britax) | | | | | | | | | | | | |
| | TROM Nos. 10A, 10B, 10C, 10D, 10E, 10G, 10H, 10M, 10N, 10R, 10T, 10U, 14M, 17A, 18E, 18H, 18M, 18N, 18R, 18U, 19C, 22A, 22B, 22E, 22R, 24A, 24B, 24E, 24R, 28E, 28H, 28M, 28N, 28R, 28U, 30A, 30B, 30E, 30G, 30H, 30R, 30T, 32A, 32B, 32E, 32R, 34A, 34B, 34E, 34G, 34R, 34T, 36E, 36G, 36R, 36T(Black) | | (' 2818825BA | 1 | 35, 60, 69, 70, 80 | X | X | | X | X | X | |
| | TRIM Nos. 11A, 11B, 11E, 11G, 11M, 11N, 11R, 11T(Saddle) | | (' 2818825CA | 1 | 35, 60, 69, 70, 80 | X | X | | X | X | X | |
| | TRIM Nos. 12A, 12B, 12E, 12R(Red) | | (' 2818825CB | 1 | 35, 60, 69, 70, 80 | X | X | | X | X | X | |
| | TRIM Nos. 14A, 14B, 14E, 14R(Blue) | | (' 2818825CD | 1 | 35, 60, 69, 70, 80 | X | X | | X | X | X | |
| | TRIM Nos. 16E, 16G, 16R, 16T(Green) | | (' 2818825CE | 1 | 35, 60, 69, 70, 80 | X | X | | X | X | X | |
| | TRIM Nos. 19A, 19B, 19E, 19G, 19M, 19N, 19R, 19T, 21A, 21B, 21G, 21M, 21N, 21R, 21T(Brown) | | (' 2818825CJ | 1 | 35, 60, 69, 70, 80 | X | X | | X | X | X | |
| | TRIM Nos. 35A, 35B, 35E, 35G, 35R(Ash) | | 2818825DD | 1 | 35, 60, 69, 70, 80 | X | X | | X | X | X | |
| | TRIM Nos. 38E, 38G, 38R, 38T, 39A, 39B, 39E, 39G, 39R, 39T(Chestnut) | | 2818825DG | 1 | 35, 80, 69, 70, 80 | X | X | | X | X | X | |
| 14.798 BELT ASSEMBLY – Front Seat – Centre Lap (Cooldrive) | | | | | | | | | | | | |
| | TRIM Nos. 10A, 10B, 10C, 10D, 10E, 10G, 10H, 10M, 10N, 10R, 10T, 10U, 14M, 17A, 18E, 18H, 18M, 18N, 18R, 18U, 19C, 22A, 22B, 22E, 22R, 24A, 24B, 24E, 24R, 28E, 28H, 28M, 28N, 28R, 28U, 30A, 30B, 30E, 30G, 30H, 30R, 30T, 32A, 32B, 32E, 32R, 34A, 34B, 34E, 34G, 34R, 34T, 36E, 36G, 36R, 36T(Black) | | (' 2818824BA | 1 | 35, 60, 69, 70, 80 | X | X | | X | X | X | |
| | TRIM Nos. 11A, 11B, 11E, 11G, 11M, 11N, 11R, 11T(Saddle) | | (' 2818824CA | 1 | 35, 60, 69, 70, 80 | X | X | | X | X | X | |
| | TRIM Nos. 12A, 12B, 12E, 12R(Red) | | (' 2818824CB | 1 | 35, 60, 69, 70, 80 | X | X | | X | X | X | |
| | TRIM Nos. 14A, 14B, 14E, 14R(Blue) | | (' 2818824CD | 1 | 35, 60, 69, 70, 80 | X | X | | X | X | X | |
| | TRIM Nos. 16E, 16G, 16R, 16T(Green) | | (' 2818824CE | 1 | 35, 60, 69, 70, 80 | X | X | | X | X | X | |
| | TRIM Nos. 19A, 19B, 19E, 19G, 19M, 19N, 19R, 19T, 21A, 21B, 21E, 21G, 21M, 21N, 21R, 21T(Brown) | | (' 2818824CJ | 1 | 35, 60, 69, 70, 80 | X | X | | X | X | X | |
| | TRIM Nos. 35A, 35B, 35E, 35G, 35R(Ash) | | 2818824DD | 1 | 35, 60, 69, 70, 80 | X | X | | X | X | X | |
| | TRIM Nos. 38E, 38G, 38R, 38T, 39A, 39B, 39E, 39G, 39R, 39T(Chestnut) | | 2818824DG | 1 | 35, 60, 69, 70, 80 | X | X | | X | X | X | |
| 14.798 BELT ASSEMBLY – Front Seat – Centre Lap (Rainsford) | | | | | | | | | | | | |
| | TRIM Nos. 10A, 10B, 10C, 10D, 10E, 10G, 10H, 10M, 10N, 10R, 10T, 10U, 14M, 17A, 18E, 18H, 18M, 18N, 18R, 18U, 19C, 22A, 22B, 22E, 22R, 24A, 24B, 24E, 24R, 28E, 28H, 28M, 28N, 28R, 28U, 30A, 30B, 30E, 30G, 30H, 30R, 30T, 32A, 32B, 32E, 32R, 34A, 34B, 34E, 34G, 34R, 34T, 36E, 36G, 36R, 36T(Black) | | (' 2818826BA | 1 | 35, 60, 69, 70, 80 | X | X | | X | X | X | |
| | TRIM Nos. 11A, 11B, 11E, 11G, 11M, 11N, 11R, 11T(Saddle) | | (' 2818826CA | 1 | 35, 60, 69, 70, 80 | X | X | | X | X | X | |
| | TRIM Nos. 12A, 12B, 12E, 12R(Red) | | (' 2818826CB | 1 | 35, 60, 69, 70, 80 | X | X | | X | X | X | |
| | TRIM Nos. 14A, 14B, 14E, 14R(Blue) | | (' 2818826CD | 1 | 35, 60, 69, 70, 80 | X | X | | X | X | X | |
| Note: (' Three manufacturers' seat belts were used in Production. It is desirable to replace with same type as initial equipment. Identification. BRITAX – Flat section buckle COOLDRIVE – Centre section of buckle raised RAINSFORD – Branded R.M.P. on back of buckle. | | | | | | | | | | | | |

"HQ" PARTS CATALOGUE

| GROUP | DESCRIPTION | SIDE | PART No. | QTY. | BODY STYLE | 801 802 | 803 804 | 808 | 811 812 | 814 | 815 816 | 818 |
|--|--|------|--------------------------|------|--------------------|------------|------------|-----|------------|-----|------------|-----|
| 14.798 BELT ASSEMBLY – Front Seat – Centre Lap (Rainsford) (contd.) | | | | | | | | | | | | |
| | TRIM Nos. 16E, 16G, 16R, 16T(Green) | | (¹ 2818826CE | 1 | 35, 60, 69, 70, 80 | X | X | | X | X | X | |
| | TRIM Nos. 19A, 19B, 19E, 19G, 19M, 19N, 19R, 19T, 21A, 21B, 21E, 21G, 21M, 21N, 21R, 21T(Brown) | | (¹ 2818826CJ | 1 | 35, 60, 69, 70, 80 | X | X | | X | X | X | |
| | TRIM Nos. 35A, 35B, 35E, 35G, 35R(Ash) | | 2818826DD | 1 | 35, 60, 69, 70, 80 | X | X | | X | X | X | |
| | TRIM Nos. 38E, 38G, 38R, 38T, 39A, 39B, 39E, 39G, 39R, 39T(Chestnut) | | 2818826DG | 1 | 35, 60, 69, 70, 80 | X | X | | X | X | X | |
| 14.799 HOOK – Seat Belt Stowage | | | | | | | | | | | | |
| | TRIM Nos. 10A, 10B, 10C, 10E, 10G, 10H, 10M, 10N, 10R, 10T, 10U, 17A, 19C, 30A, 30B, 30E, 30G, 30H 30R, 30T(Black) | | 7438599BA | 2 | 35, 60, 69, 70, 80 | X | X | | X | X | X | |
| | TRIM Nos. 11A, 11B, 11E, 11G, 11M, 11N, 11R, 11T, 21A, 21B, 21E, 21G, 21M, 21N, 21R, 21T(Saddle) | | 7438599CA | 2 | 35, 60, 69, 70, 80 | X | X | | X | X | X | |
| | TRIM Nos. 12A, 12B, 12E, 12R, 22A, 22B, 22E, 22R(Red) | | 7438599CB | 2 | 35, 60, 69, 70, 80 | X | X | | X | X | X | |
| | TRIM Nos. 14A, 14B, 14E, 14R, 24A, 24B, 24E, 24R(Blue) | | 7438599CD | 2 | 35, 60, 69, 70, 80 | X | X | | X | X | X | |
| | TRIM Nos. 16E, 16G, 16R, 16T(Green) | | 7438599CE | 2 | 35, 60, 69, 70, 80 | X | X | | X | X | X | |
| | TRIM Nos. 18E, 18H, 18M, 18R, 18U, 28E, 28H, 28M, 28N, 28R, 28U(Flax) | | 7438599CG | 2 | 35, 60, 69, 70, 80 | X | X | | X | X | X | |
| | TRIM Nos. 19A, 19B, 19E, 19G, 19M, 19N, 19R, 19T(Brown) | | 7438599CJ | 2 | 35, 60, 69, 70, 80 | X | X | | X | X | X | |
| | TRIM Nos. 32A, 32B, 32E, 32R(Cinnabar) | | 7438599DA | 2 | 35, 60, 69, 70, 80 | X | X | | X | | X | |
| | TRIM Nos. 34A, 34B, 34E, 34G, 34R, 34T(Indigo) | | 7438599DB | 2 | 35, 60, 69, 70, 80 | X | X | | X | | X | |
| | TRIM Nos. 35A, 35B, 35E, 35G, 35R(Ash) | | 7438599DC | 2 | 35, 60, 69, 70, 80 | X | X | | X | | X | |
| | TRIM Nos. 36E, 36G, 36R, 36T(Juniper) | | 7438599DE | 2 | 35, 60, 69, 70, 80 | X | X | | X | | X | |
| | TRIM Nos. 38E, 38G, 38R, 38T(Doeskin) | | 7438599DF | 2 | 35, 60, 69, 70, 80 | X | X | | X | | X | |
| | TRIM Nos. 39A, 39B, 39E, 39G, 39R, 39T(Chestnut) | | 7438599DG | 2 | 35, 60, 69, 70, 80 | X | X | | X | | X | |
| | SCREW – Hook to centre pillar, body side | | 9414712 | 2 | 35, 60, 69, 70, 80 | X | X | | X | X | X | |
| 14.800 Cover assembly – Front Seat Back (Bench Seat) | | | | | | | | | | | | |
| | TRIM Nos. 10A | | 2817479BA | 1 | 35, 69 | X | | | | | | |
| | TRIM Nos. 11A, 21A | | 2817479CK | 1 | 35, 69 | X | | | | | | |
| | TRIM Nos. 12A, 22A | | 2817479CL | 1 | 35, 69 | X | | | | | | |
| | TRIM Nos. 14A, 24A | | 2817479CS | 1 | 35, 69 | X | | | | | | |
| | TRIM Nos. 17A | | 2817479BK | 1 | 35, 69 | X | | | | | | |
| | TRIM Nos. 19A | | 2817479CM | 1 | 35, 69 | X | | | | | | |
| | TRIM Nos. 19C | | 2817479BL | 1 | 35, 69 | X | | | | | | |
| | TRIM Nos. 30A | | 2817479CY | 1 | 35, 69 | X | | | | | | |
| | TRIM Nos. 32A | | 2817479DJ | 1 | 35, 69 | X | | | | | | |
| | TRIM Nos. 34A | | 2817479DK | 1 | 35, 69 | X | | | | | | |
| | TRIM Nos. 35A | | 2817479DL | 1 | 35, 69 | X | | | | | | |
| | TRIM Nos. 39A | | 2817479DM | 1 | 35, 69 | X | | | | | | |
| | TRIM Nos. 10E | | (¹ 2817480BA | 1 | 35, 69 | | X | | | | | |
| | TRIM Nos. 11E, 21E | | (¹ 2817480CA | 1 | 35, 69 | | X | | | | | |
| | TRIM Nos. 12E, 22E | | (¹ 2817480CB | 1 | 35, 69 | | X | | | | | |
| | TRIM Nos. 14E, 24E | | (¹ 2817480CD | 1 | 35, 69 | | X | | | | | |
| | TRIM Nos. 16E | | (¹ 2817480CE | 1 | 35, 69 | | X | | | | | |
| | TRIM Nos. 18E, 28E | | (¹ 2817480CG | 1 | 35, 69 | | X | | | | | |
| | TRIM Nos. 19E | | (¹ 2817480CJ | 1 | 35, 69 | | X | | | | | |
| | TRIM Nos. 30E | | (¹ 2817480CY | 1 | 35, 69 | | X | | | | | |
| | TRIM Nos. 32E | | (¹ 2817480DA | 1 | 35, 69 | | X | | | | | |
| | TRIM Nos. 34E | | (¹ 2817480DB | 1 | 35, 69 | | X | | | | | |
| | TRIM Nos. 35E | | (¹ 2817480DC | 1 | 35, 69 | | X | | | | | |
| | TRIM Nos. 36E | | (¹ 2817480DE | 1 | 35, 69 | | X | | | | | |
| | TRIM Nos. 38E | | (¹ 2817480DF | 1 | 35, 69 | | X | | | | | |
| Note: (¹ Three manufacturers' seat belts were used in Production. It is desirable to replace with same type as initial equipment. | | | | | | | | | | | | |
| Identification. BRITAX – Flat section buckle | | | | | | | | | | | | |
| COOLDRIVE – Centre section of buckle raised | | | | | | | | | | | | |
| RAINSFORD – Branded R.M.P. on back of buckle. | | | | | | | | | | | | |
| (¹ Exc bench seat with centre armrest. | | | | | | | | | | | | |

BODY

"HQ" PARTS CATALOGUE

| GROUP | DESCRIPTION | SIDE | PART No. | QTY. | BODY STYLE | 801 802 | 803 804 | 808 | 811 812 | 814 | 815 816 | 818 |
|---|--------------------------|------|---------------------------|------|------------|------------|------------|-----|------------|-----|------------|-----|
| 14.800 Cover assembly – Front Seat Back (Bench Seat) (contd.) | | | | | | | | | | | | |
| | TRIM Nos. 39E | | (³¹ 2817480DG | 1 | 35, 69 | | X | | | | | |
| | TRIM Nos. 10E | | (³² 9930064BA | 1 | 35, 69 | | X | | | | | |
| | TRIM Nos. 11E, 21E | | (³² 9930064CA | 1 | 35, 69 | | X | | | | | |
| | TRIM Nos. 12E, 22E | | (³² 9930064CB | 1 | 35, 69 | | X | | | | | |
| | TRIM Nos. 14E, 24E | | (³² 9930064CD | 1 | 35, 69 | | X | | | | | |
| | TRIM Nos. 16E | | (³² 9930064CE | 1 | 35, 69 | | X | | | | | |
| | TRIM Nos. 18E, 28E | | (³² 9930064CG | 1 | 35, 69 | | X | | | | | |
| | TRIM Nos. 19E | | (³² 9930064CJ | 1 | 35, 69 | | X | | | | | |
| | TRIM Nos. 30E | | (³² 9930064CY | 1 | 35, 69 | | X | | | | | |
| | TRIM Nos. 32E | | (³² 9930064DA | 1 | 35, 69 | | X | | | | | |
| | TRIM Nos. 34E | | (³² 9930064DB | 1 | 35, 69 | | X | | | | | |
| | TRIM Nos. 35E | | (³² 9930064DC | 1 | 35, 69 | | X | | | | | |
| | TRIM Nos. 36E | | (³² 9930064DE | 1 | 35, 69 | | X | | | | | |
| | TRIM Nos. 38E | | (³² 9930064DF | 1 | 35, 69 | | X | | | | | |
| | TRIM Nos. 39E | | (³² 9930064DG | 1 | 35, 69 | | X | | | | | |
| | TRIM Nos. 10G | | (³³ 2818908BA | 1 | 35, 69 | | X | | | | | |
| | TRIM Nos. 10G | | (³⁴ 2825457BA | 1 | 35, 69 | | X | | | | | |
| | TRIM Nos. 10H | | (³⁴ 2825457CN | 1 | 35, 69 | | X | | | | | |
| | TRIM Nos. 11G | | (³⁴ 2825457CA | 1 | 35, 69 | | X | | | | | |
| | TRIM Nos. 16G | | (³⁴ 2825457CE | 1 | 35, 69 | | X | | | | | |
| | TRIM Nos. 18H, 28H | | (³⁴ 2825457CG | 1 | 35, 69 | | X | | | | | |
| | TRIM Nos. 19G | | (³⁴ 2825457CJ | 1 | 35, 69 | | X | | | | | |
| | TRIM Nos. 21G | | (³⁴ 2825457CX | 1 | 35, 69 | | X | | | | | |
| | TRIM Nos. 30G | | (³⁴ 2825457CY | 1 | 35, 69 | | X | | | | | |
| | TRIM Nos. 30H | | (³⁴ 2825457DH | 1 | 35, 69 | | X | | | | | |
| | TRIM Nos. 34G | | (³⁴ 2825457DB | 1 | 35, 69 | | X | | | | | |
| | TRIM Nos. 35G | | (³⁴ 2825457DC | 1 | 35, 69 | | X | | | | | |
| | TRIM Nos. 36G | | (³⁴ 2825457DE | 1 | 35, 69 | | X | | | | | |
| | TRIM Nos. 38G | | (³⁴ 2825457DF | 1 | 35, 69 | | X | | | | | |
| | TRIM Nos. 39G | | (³⁴ 2825457DG | 1 | 35, 69 | | X | | | | | |
| | TRIM Nos. 81A, 81D | | 9931282CA | 1 | 35, 69 | | X | | | | | |
| | TRIM Nos. 81B | | 9932182CK | 1 | 35, 69 | | X | | | | | |
| | TRIM Nos. 82A | | 9932182CB | 1 | 35, 69 | | X | | | | | |
| | TRIM Nos. 82B | | 9932182CL | 1 | 35, 69 | | X | | | | | |
| | TRIM Nos. 84A | | 9932182CD | 1 | 35, 69 | | X | | | | | |
| | TRIM Nos. 84B | | 9932182CS | 1 | 35, 69 | | X | | | | | |
| | TRIM Nos. 86A | | 9932182CE | 1 | 35, 69 | | X | | | | | |
| | TRIM Nos. 88A | | 9932182CG | 1 | 35, 69 | | X | | | | | |
| | TRIM Nos. 89A | | 9932182CJ | 1 | 35, 69 | | X | | | | | |
| | TRIM Nos. 89B | | 9932182CM | 1 | 35, 69 | | X | | | | | |
| | TRIM Nos. 10R | | 2823171BA | 1 | 35, 69 | | | | X | | | |
| | TRIM Nos. 11R, 21R | | 2823171CA | 1 | 35, 69 | | | | X | | | |
| | TRIM Nos. 12R, 22R | | 2823171CB | 1 | 35, 69 | | | | X | | | |
| | TRIM Nos. 14R, 24R | | 2823171CD | 1 | 35, 69 | | | | X | | | |
| | TRIM Nos. 16R | | 2823171CE | 1 | 35, 69 | | | | X | | | |
| | TRIM Nos. 18R, 28R | | 2823171CG | 1 | 35, 69 | | | | X | | | |
| | TRIM Nos. 19R | | 2823171CJ | 1 | 35, 69 | | | | X | | | |
| | TRIM Nos. 30R | | 2823171CY | 1 | 35, 69 | | | | X | | | |
| | TRIM Nos. 32R | | 2823171DA | 1 | 35, 69 | | | | X | | | |
| | TRIM Nos. 34R | | 2823171DB | 1 | 35, 69 | | | | X | | | |
| | TRIM Nos. 35R | | 2823171DC | 1 | 35, 69 | | | | X | | | |
| | TRIM Nos. 36R | | 2823171DE | 1 | 35, 69 | | | | X | | | |
| | TRIM Nos. 38R | | 2823171DF | 1 | 35, 69 | | | | X | | | |
| | TRIM Nos. 39R | | 2823171DG | 1 | 35, 69 | | | | X | | | |
| | TRIM Nos. 10T | | 2823172BA | 1 | 35, 69 | | | | X | | | |
| | TRIM Nos. 10U | | 2823172CN | 1 | 35, 69 | | | | X | | | |
| | TRIM Nos. 11T, 21T | | 2823172CX | 1 | 35, 69 | | | | X | | | |
| | TRIM Nos. 18T | | 2823172CE | 1 | 35, 69 | | | | X | | | |
| | TRIM Nos. 18U, 28U | | 2823172CG | 1 | 35, 69 | | | | X | | | |
| | TRIM Nos. 19T | | 2823172CZ | 1 | 35, 69 | | | | X | | | |
| Note: (³¹ Exc bench seat with centre armrest. (³² Bench seat with centre armrest. (³³ Cloth on top of cover. (³⁴ Vinyl on top of cover. | | | | | | | | | | | | |

"HQ" PARTS CATALOGUE

| GROUP | DESCRIPTION | SIDE | PART No. | QTY. | BODY STYLE | 801 802 | 803 804 | 808 | 811 812 | 814 | 815 816 | 818 |
|---|--------------------|------|-----------|------|------------|------------|------------|-----|------------|-----|------------|-----|
| 14.800 Cover assembly -- Front Seat Back (Bench Seat) (contd.) | | | | | | | | | | | | |
| | TRIM Nos. 30T | | 2823172CY | 1 | 35, 69 | | | | X | | | |
| | TRIM Nos. 34T | | 2823172DB | 1 | 35, 69 | | | | X | | | |
| | TRIM Nos. 36T | | 2823172DE | 1 | 35, 69 | | | | X | | | |
| | TRIM Nos. 38T | | 2823172DF | 1 | 35, 69 | | | | X | | | |
| | TRIM Nos. 39T | | 2823172DG | 1 | 35, 69 | | | | X | | | |
| | TRIM Nos. 10R | | 2819357BA | 1 | 69 | | | | | | X | |
| | TRIM Nos. 11R, 21R | | 2819357CA | 1 | 69 | | | | | | X | |
| | TRIM Nos. 12R, 22R | | 2819357CB | 1 | 69 | | | | | | X | |
| | TRIM Nos. 14R, 24R | | 2819357CD | 1 | 69 | | | | | | X | |
| | TRIM Nos. 16R | | 2819357CE | 1 | 69 | | | | | | X | |
| | TRIM Nos. 18R, 28R | | 2819357CG | 1 | 69 | | | | | | X | |
| | TRIM Nos. 19R | | 2819357CJ | 1 | 69 | | | | | | X | |
| | TRIM Nos. 30R | | 2819357CY | 1 | 69 | | | | | | X | |
| | TRIM Nos. 32R | | 2819357DA | 1 | 69 | | | | | | X | |
| | TRIM Nos. 34R | | 2819357DB | 1 | 69 | | | | | | X | |
| | TRIM Nos. 35R | | 2819357DC | 1 | 69 | | | | | | X | |
| | TRIM Nos. 36R | | 2819357DE | 1 | 69 | | | | | | X | |
| | TRIM Nos. 38R | | 2819357DF | 1 | 69 | | | | | | X | |
| | TRIM Nos. 39R | | 2819357DG | 1 | 69 | | | | | | X | |
| | TRIM Nos. 10T | | 2819358BA | 1 | 69 | | | | | | X | |
| | TRIM Nos. 10U | | 2819358CN | 1 | 69 | | | | | | X | |
| | TRIM Nos. 11T | | 2819358CA | 1 | 69 | | | | | | X | |
| | TRIM Nos. 16T | | 2819358CE | 1 | 69 | | | | | | X | |
| | TRIM Nos. 18U, 28U | | 2819358CG | 1 | 69 | | | | | | X | |
| | TRIM Nos. 19T | | 2819358CJ | 1 | 69 | | | | | | X | |
| | TRIM Nos. 21T | | 2819358CX | 1 | 69 | | | | | | X | |
| | TRIM Nos. 30T | | 2819358CY | 1 | 69 | | | | | | X | |
| | TRIM Nos. 34T | | 2819358DB | 1 | 69 | | | | | | X | |
| | TRIM Nos. 36T | | 2819358DE | 1 | 69 | | | | | | X | |
| | TRIM Nos. 38T | | 2819358DF | 1 | 69 | | | | | | X | |
| | TRIM Nos. 39T | | 2819358DG | 1 | 69 | | | | | | X | |
| | TRIM Nos. 10M | | 2820239BA | 1 | 69 | | | | | X | | |
| | TRIM Nos. 11M, 21M | | 2820239CA | 1 | 69 | | | | | X | | |
| | TRIM Nos. 14M | | 2820239CD | 1 | 69 | | | | | X | | |
| | TRIM Nos. 18M | | 2820239CG | 1 | 69 | | | | | X | | |
| | TRIM Nos. 19M | | 2820239CJ | 1 | 69 | | | | | X | | |
| | TRIM Nos. 28M | | 2820239CH | 1 | 69 | | | | | X | | |
| | TRIM Nos. 30M | | 2820239CY | 1 | 69 | | | | | X | | |
| | TRIM Nos. 34M | | 2820239DB | 1 | 69 | | | | | X | | |
| | TRIM Nos. 35M | | 2820239DC | 1 | 69 | | | | | X | | |
| | TRIM Nos. 38M | | 2820239DF | 1 | 69 | | | | | X | | |
| | TRIM Nos. 39M | | 2820239DG | 1 | 69 | | | | | X | | |
| | TRIM Nos. 10N | | 2820238BA | 1 | 69 | | | | | X | | |
| | TRIM Nos. 11N, 21N | | 2820238CA | 1 | 69 | | | | | X | | |
| | TRIM Nos. 18N, 28N | | 2820238CG | 1 | 69 | | | | | X | | |
| | TRIM Nos. 19N | | 2820238CJ | 1 | 69 | | | | | X | | |
| | TRIM Nos. 30N | | 2820238CY | 1 | 69 | | | | | X | | |
| | TRIM Nos. 34N | | 2820238DB | 1 | 69 | | | | | X | | |
| | TRIM Nos. 35N | | 2820238DC | 1 | 69 | | | | | X | | |
| | TRIM Nos. 38N | | 2820238DF | 1 | 69 | | | | | X | | |
| | TRIM Nos. 39N | | 2820238DG | 1 | 69 | | | | | X | | |
| | TRIM Nos. 10A | | 2820909BA | 1 | 60, 70, 80 | X | | | | | | |
| | TRIM Nos. 11A, 21A | | 2820909CK | 1 | 60, 70, 80 | X | | | | | | |
| | TRIM Nos. 12A, 22A | | 2820909CL | 1 | 60, 70, 80 | X | | | | | | |
| | TRIM Nos. 14A, 24A | | 2820909CS | 1 | 60, 70, 80 | X | | | | | | |
| | TRIM Nos. 17A | | 2820909BK | 1 | 60, 70, 80 | X | | | | | | |
| | TRIM Nos. 19A | | 2820909CM | 1 | 60, 70, 80 | X | | | | | | |
| | TRIM Nos. 19C | | 2820909BL | 1 | 60, 70, 80 | X | | | | | | |
| | TRIM Nos. 30A | | 2820909CY | 1 | 60, 70, 80 | X | | | | | | |
| | TRIM Nos. 32A | | 2820909DJ | 1 | 60, 70, 80 | X | | | | | | |
| | TRIM Nos. 34A | | 2820909DK | 1 | 60, 70, 80 | X | | | | | | |
| | TRIM Nos. 35A | | 2820909DL | 1 | 60, 70, 80 | X | | | | | | |
| | TRIM Nos. 39A | | 2820909DM | 1 | 60, 70, 80 | X | | | | | | |
| | TRIM Nos. 10E | | 2820910BA | 1 | 80 | | X | | | | | |

BODY

"HQ" PARTS CATALOGUE

| GROUP | DESCRIPTION | SIDE | PART No. | QTY. | BODY STYLE | 801 802 | 803 804 | 808 | 811 812 | 814 | 815 816 | 818 |
|--|------------------------------------|------|--|------|--------------------|------------|------------|-----|------------|-----|------------|-----|
| 14.800 Cover assembly – Front Seat Back (Bench Seat) (contd.) | | | | | | | | | | | | |
| | TRIM Nos. 11E, 21E | | 2820910CA | 1 | 80 | | X | | | | | |
| | TRIM Nos. 12E, 22E | | 2820910CB | 1 | 80 | | X | | | | | |
| | TRIM Nos. 14E, 24E | | 2820910CD | 1 | 80 | | X | | | | | |
| | TRIM Nos. 16E | | 2820910CE | 1 | 80 | | X | | | | | |
| | TRIM Nos. 18E, 28E | | 2820910CG | 1 | 80 | | X | | | | | |
| | TRIM Nos. 19E | | 2820910CJ | 1 | 80 | | X | | | | | |
| | TRIM Nos. 30E | | 2820910CY | 1 | 80 | | X | | | | | |
| | TRIM Nos. 32E | | 2820910DA | 1 | 80 | | X | | | | | |
| | TRIM Nos. 34E | | 2820910DB | 1 | 80 | | X | | | | | |
| | TRIM Nos. 35E | | 2820910DC | 1 | 80 | | X | | | | | |
| | TRIM Nos. 36E | | 2820910DE | 1 | 80 | | X | | | | | |
| | TRIM Nos. 38E | | 2820910DF | 1 | 80 | | X | | | | | |
| | TRIM Nos. 39E | | 2820910DG | 1 | 80 | | X | | | | | |
| 14.800 COVER ASSEMBLY – Front Seat Back (Bucket Seat, Fixed Back) | | | | | | | | | | | | |
| | TRIM Nos. 10B, 10E | | 2819128BA | 2 | 35, 60, 69, 70, 80 | X | X | | | | | |
| | TRIM Nos. 11B, 11E, 21B, 21E | | 2819128CA | 2 | 35, 60, 69, 70, 80 | X | X | | | | | |
| | TRIM Nos. 12B, 12E, 22B, 22E | | 2819128CB | 2 | 35, 60, 69, 70, 80 | X | X | | | | | |
| | TRIM Nos. 14B, 14E, 24B, 24E | | 2819128CD | 2 | 35, 60, 69, 70, 80 | X | X | | | | | |
| | TRIM Nos. 16E | | 2819128CE | 2 | 35, 60, 69, 70, 80 | X | X | | | | | |
| | TRIM Nos. 18E, 28E | | 2819128CG | 2 | 35, 60, 69, 70, 80 | X | X | | | | | |
| | TRIM Nos. 19B, 19E | | 2819128CJ | 2 | 35, 60, 69, 70, 80 | X | X | | | | | |
| | TRIM Nos. 10G | | ⁽⁸³⁾ 2819129BA | 2 | 35, 69 | | X | | | | | |
| | TRIM Nos. 10H | | ⁽⁸³⁾ 2819129CN | 2 | 35, 69 | | X | | | | | |
| | TRIM Nos. 16G | | ⁽⁸³⁾ 2819129CE | 2 | 35, 69 | | X | | | | | |
| | TRIM Nos. 19G | | ⁽⁸³⁾ 2819129CJ | 2 | 35, 69 | | X | | | | | |
| | TRIM Nos. 10G | | ⁽⁸⁴⁾ 2825460BA | 2 | 35, 69 | | X | | | | | |
| | TRIM Nos. 10H | | ⁽⁸⁴⁾ 2825460CN | 2 | 35, 69 | | X | | | | | |
| | TRIM Nos. 11G | | ⁽⁸⁴⁾ 2825460CA | 2 | 35, 69 | | X | | | | | |
| | TRIM Nos. 16G | | ⁽⁸⁴⁾ 2825460CE | 2 | 35, 69 | | X | | | | | |
| | TRIM Nos. 18H, 28H | | ⁽⁸⁴⁾ 2825460CG | 2 | 35, 69 | | X | | | | | |
| | TRIM Nos. 19G | | ⁽⁸⁴⁾ 2825460CJ | 2 | 35, 69 | | X | | | | | |
| | TRIM Nos. 21G | | ⁽⁸⁴⁾ 2825460CX | 2 | 35, 69 | | X | | | | | |
| | TRIM Nos. 10R | | 2823175BA | 2 | 35, 69 | | | | X | | | |
| | TRIM Nos. 11R, 21R | | 2823175CA | 2 | 35, 69 | | | | X | | | |
| | TRIM Nos. 12R, 22R | | 2823175CB | 2 | 35, 69 | | | | X | | | |
| | TRIM Nos. 14R, 24R | | 2823175CD | 2 | 35, 69 | | | | X | | | |
| | TRIM Nos. 16R | | 2823175CE | 2 | 36, 69 | | | | X | | | |
| | TRIM Nos. 18R, 28R | | 2823175CG | 2 | 35, 69 | | | | X | | | |
| | TRIM Nos. 19R | | 2823175CJ | 2 | 35, 69 | | | | X | | | |
| | TRIM Nos. 10T | | 2823176BA | 2 | 35, 69 | | | | X | | | |
| | TRIM Nos. 10U | | 2823176CN | 2 | 35, 69 | | | | X | | | |
| | TRIM Nos. 11T | | 2823176CA | 2 | 35, 69 | | | | X | | | |
| | TRIM Nos. 16T | | 2823176CE | 2 | 35, 69 | | | | X | | | |
| | TRIM Nos. 18U, 28U | | 2823176CG | 2 | 35, 69 | | | | X | | | |
| | TRIM Nos. 19T | | 2823176CJ | 2 | 35, 69 | | | | X | | | |
| | TRIM Nos. 21T | | 2823176CX | 2 | 35, 69 | | | | X | | | |
| | TRIM Nos. 10R | | 2820176BA | 2 | 69 | | | | | | X | |
| | TRIM Nos. 11R, 21R | | 2820176CA | 2 | 69 | | | | | | X | |
| | TRIM Nos. 12R, 22R | | 2820176CB | 2 | 69 | | | | | | X | |
| | TRIM Nos. 14R, 24R | | 2820176CD | 2 | 69 | | | | | | X | |
| | TRIM Nos. 16R | | 2820176CE | 2 | 69 | | | | | | X | |
| | TRIM Nos. 18R, 28R | | 2820176CG | 2 | 69 | | | | | | X | |
| | TRIM Nos. 19R | | 2820176CJ | 2 | 69 | | | | | | X | |
| | TRIM Nos. 10T | | 2820177BA | 2 | 69 | | | | | | X | |
| | TRIM Nos. 10U | | 2820177CN | 2 | 69 | | | | | | X | |
| | TRIM Nos. 11T | | 2820177CA | 2 | 69 | | | | | | X | |
| | TRIM Nos. 16T | | 2820177CE | 2 | 69 | | | | | | X | |
| | TRIM Nos. 18U, 28U | | 2820177CG | 2 | 69 | | | | | | X | |
| | TRIM Nos. 19T | | 2820177CJ | 2 | 69 | | | | | | X | |
| | TRIM Nos. 21T | | 2820177CX | 2 | 69 | | | | | | X | |
| Note: | | | ⁽⁸³⁾ Cloth on top of cover. | | | | | | | | | |
| | | | ⁽⁸⁴⁾ Vinyl on top of cover. | | | | | | | | | |

| GROUP | DESCRIPTION | SIDE | PART No. | QTY. | BODY STYLE | 801 802 | 803 804 | 808 | 811 812 | 814 | 815 816 | 818 |
|---------------|--|------|---------------------------|------|------------|------------|------------|-----|------------|-----|------------|-----|
| 14.800 | COVER ASSEMBLY – Front Seat Back (Bucket Seat, Reclining) | | | | | | | | | | | |
| | TRIM Nos. 10C | | 9928519BA | 2 | 69 | X | | | | | | |
| | TRIM Nos. 10D | | 9928519CN | 2 | 69 | X | | | | | | |
| | TRIM Nos. 10E (Without Zipper) | | 2819208BA | 2 | 35, 37, 69 | | X | | | | | |
| | TRIM Nos. 11E, 21E (Without Zipper) | | 2819208CA | 2 | 35, 37, 69 | | X | | | | | |
| | TRIM Nos. 12E, 22E (Without Zipper) | | 2819208CB | 2 | 35, 37, 69 | | X | | | | | |
| | TRIM Nos. 14E, 24E (Without Zipper) | | 2819208CD | 2 | 35, 37, 69 | | X | | | | | |
| | TRIM Nos. 16E (Without zipper) | | 2819208CE | 2 | 35, 37, 69 | | X | | | | | |
| | TRIM Nos. 18E, 28E (Without Zipper) | | 2819208CG | 2 | 35, 37, 69 | | X | | | | | |
| | TRIM Nos. 19E (Without Zipper) | | 2819208CJ | 2 | 35, 37, 69 | | X | | | | | |
| | TRIM Nos. 10B, 10E (With zipper) | | 9928757BA | 2 | ALL | X | X | | | | | |
| | TRIM Nos. 11B, 11E, 21B, 21E (With Zipper) | | 9928757CA | 2 | ALL | X | X | | | | | |
| | TRIM Nos. 12B, 12E, 22B, 22E (With Zipper) | | 9928757CB | 2 | ALL | X | X | | | | | |
| | TRIM Nos. 14B, 14E, 24B, 24E (With Zipper) | | 9928757CD | 2 | ALL | X | X | | | | | |
| | TRIM Nos. 16E (With Zipper) | | 9928757CE | 2 | ALL | X | X | | | | | |
| | TRIM Nos. 18E, 28E, (With Zipper) | | 9928757CG | 2 | ALL | X | X | | | | | |
| | TRIM Nos. 19B, 19E (With Zipper) | | 9928757CJ | 2 | ALL | X | X | | | | | |
| | TRIM Nos. 30B, 30E (With Zipper) | | 9928757CY | 2 | ALL | X | X | | | | | |
| | TRIM Nos. 32B, 32E (With Zipper) | | 9928757DA | 2 | ALL | X | X | | | | | |
| | TRIM Nos. 34B, 34E (With Zipper) | | 9928757DB | 2 | ALL | X | X | | | | | |
| | TRIM Nos. 35B, 35E (With Zipper) | | 9928757DC | 2 | ALL | X | X | | | | | |
| | TRIM Nos. 36E (With Zipper) | | 9928757DE | 2 | ALL | X | X | | | | | |
| | TRIM Nos. 38E (With Zipper) | | 9928757DF | 2 | ALL | X | X | | | | | |
| | TRIM Nos. 39B, 39E (With Zipper) | | 9928757DG | 2 | ALL | X | X | | | | | |
| | TRIM Nos. 10G (Without Zipper) | | ⁽³³⁾ 2819209BA | 2 | 35, 69 | | X | | | | | |
| | TRIM Nos. 10H (Without Zipper) | | ⁽³³⁾ 2819209CN | 2 | 35, 69 | | X | | | | | |
| | TRIM Nos. 16G (Without Zipper) | | ⁽³³⁾ 2819209CE | 2 | 35, 69 | | X | | | | | |
| | TRIM Nos. 10G (Without Zipper) | | ⁽³⁴⁾ 2825463BA | 2 | 35, 69 | | X | | | | | |
| | TRIM Nos. 10H (Without Zipper) | | ⁽³⁴⁾ 2825463CN | 2 | 35, 69 | | X | | | | | |
| | TRIM Nos. 11G (Without Zipper) | | ⁽³⁴⁾ 2825463CA | 2 | 35, 69 | | X | | | | | |
| | TRIM Nos. 16G (Without Zipper) | | ⁽³⁴⁾ 2825463CE | 2 | 35, 69 | | X | | | | | |
| | TRIM Nos. 18H, 28H (Without Zipper) | | ⁽³⁴⁾ 2825463CG | 2 | 35, 69 | | X | | | | | |
| | TRIM Nos. 19G (Without Zipper) | | ⁽³⁴⁾ 2825463CZ | 2 | 35, 69 | | X | | | | | |
| | TRIM Nos. 21G (Without Zipper) | | ⁽³⁴⁾ 2825463CX | 2 | 35, 69 | | X | | | | | |
| | TRIM Nos. 10G (With Zipper) | | ⁽³⁴⁾ 9938758BA | 2 | 35, 69 | | X | | | | | |
| | TRIM Nos. 10H (With Zipper) | | ⁽³⁴⁾ 9928758CN | 2 | 35, 69 | | X | | | | | |
| | TRIM Nos. 11G (With Zipper) | | ⁽³⁴⁾ 9928758CA | 2 | 35, 69 | | X | | | | | |
| | TRIM Nos. 16G (With Zipper) | | ⁽³⁴⁾ 9928758CE | 2 | 35, 69 | | X | | | | | |
| | TRIM Nos. 18H, 28H (With Zipper) | | ⁽³⁴⁾ 9928758CG | 2 | 35, 69 | | X | | | | | |
| | TRIM Nos. 19G (With Zipper) | | ⁽³⁴⁾ 9928758CZ | 2 | 35, 69 | | X | | | | | |
| | TRIM Nos. 21G (With Zipper) | | ⁽³⁴⁾ 9928758CX | 2 | 35, 69 | | X | | | | | |
| | TRIM Nos. 30G (With Zipper) | | ⁽³⁴⁾ 9928758CY | 2 | 35, 69 | | X | | | | | |
| | TRIM Nos. 30H (With Zipper) | | ⁽³⁴⁾ 9928758DH | 2 | 35, 69 | | X | | | | | |
| | TRIM Nos. 34G (With Zipper) | | ⁽³⁴⁾ 9928758CB | 2 | 35, 69 | | X | | | | | |
| | TRIM Nos. 35G (With Zipper) | | ⁽³⁴⁾ 9928758DC | 2 | 35, 69 | | X | | | | | |
| | TRIM Nos. 36G (Zipper) | | ⁽³⁴⁾ 9928758DE | 2 | 35, 69 | | X | | | | | |
| | TRIM Nos. 38G (With Zipper) | | ⁽³⁴⁾ 9928758DF | 2 | 35, 69 | | X | | | | | |
| | TRIM Nos. 39G (With Zipper) | | ⁽³⁴⁾ 9928768DG | 2 | 35, 69 | | X | | | | | |
| | TRIM Nos. 10X | | 9928518BA | 2 | 69 | | X | | | | | |
| | TRIM Nos. 11X, 21X | | 9928518CA | 2 | 69 | | X | | | | | |
| | TRIM Nos. 14X, 24X | | 9928518CD | 2 | 69 | | X | | | | | |
| | TRIM Nos. 16X | | 9928518CE | 2 | 69 | | X | | | | | |
| | TRIM Nos. 18X | | 9928518CG | 2 | 69 | | X | | | | | |
| | TRIM Nos. 19X | | 9928518CJ | 2 | 69 | | X | | | | | |
| | TRIM Nos. 30X | | 9928518CY | 2 | 69 | | X | | | | | |
| | TRIM Nos. 34X | | 9928518DB | 2 | 69 | | X | | | | | |
| | TRIM Nos. 35X | | 9928518DC | 2 | 69 | | X | | | | | |
| | TRIM Nos. 36X | | 9928518DE | 2 | 69 | | X | | | | | |
| | TRIM Nos. 38X | | 9928518DF | 2 | 69 | | X | | | | | |
| | TRIM Nos. 39X | | 9928518DG | 2 | 69 | | X | | | | | |
| | TRIM Nos. 10Y | | 9928519BA | 2 | 69 | | X | | | | | |
| | TRIM Nos. 10Z | | 9928519CP | 2 | 69 | | X | | | | | |
| | TRIM Nos. 11Y, 21Y | | 9928519CA | 2 | 69 | | X | | | | | |

Note: ⁽³³⁾ Cloth on top of cover.
⁽³⁴⁾ Vinyl on top of cover.

"HQ" PARTS CATALOGUE

| GROUP | DESCRIPTION | SIDE | PART No. | QTY. | BODY STYLE | 801 802 | 803 804 | 808 | 811 812 | 814 | 815 816 | 818 |
|---------------|---|------|-----------|------|------------|------------|------------|-----|------------|-----|------------|-----|
| 14.800 | COVER ASSEMBLY – Front Seat Back (Bucket Seat, Reclining) (contd.) | | | | | | | | | | | |
| | TRIM Nos. 14Y, 24Y | | 9928519CD | 2 | 69 | | X | | | | | |
| | TRIM Nos. 16Y | | 9928519CE | 2 | 69 | | X | | | | | |
| | TRIM Nos. 18Y | | 9928519CG | 2 | 69 | | X | | | | | |
| | TRIM Nos. 19Y | | 9928519CJ | 2 | 69 | | X | | | | | |
| | TRIM Nos. 30Y | | 9928519CY | 2 | 69 | | X | | | | | |
| | TRIM Nos. 34Y | | 9928519DB | 2 | 69 | | X | | | | | |
| | TRIM Nos. 35Y | | 9928519DC | 2 | 69 | | X | | | | | |
| | TRIM Nos. 36Y | | 9928519DE | 2 | 69 | | X | | | | | |
| | TRIM Nos. 38Y | | 9928519DF | 2 | 69 | | X | | | | | |
| | TRIM Nos. 39Y | | 9928519DG | 2 | 69 | | X | | | | | |
| | TRIM Nos. 10R (Without Zipper) | | 2823181BA | 2 | 35, 69 | | | | X | | | |
| | TRIM Nos. 11R, 21R (Without Zipper) | | 2823181CA | 2 | 35, 69 | | | | X | | | |
| | TRIM Nos. 12R, 22R (Without Zipper) | | 2823181CB | 2 | 35, 69 | | | | X | | | |
| | TRIM Nos. 14R, 24R (Without Zipper) | | 2823181CD | 2 | 35, 69 | | | | X | | | |
| | TRIM Nos. 16R (Without Zipper) | | 2823181CE | 2 | 35, 69 | | | | X | | | |
| | TRIM Nos. 18R, 28R (Without Zipper) | | 2823181CG | 2 | 35, 69 | | | | X | | | |
| | TRIM Nos. 19R (Without Zipper) | | 2823181CJ | 2 | 35, 69 | | | | X | | | |
| | TRIM Nos. 10R (With Zipper) | | 9928513BA | 2 | 35, 69 | | | | X | | | |
| | TRIM Nos. 11R, 21R (With Zipper) | | 9928513CA | 2 | 35, 69 | | | | X | | | |
| | TRIM Nos. 12R, 22R (With Zipper) | | 9928513CB | 2 | 35, 69 | | | | X | | | |
| | TRIM Nos. 14R, 24R (With Zipper) | | 9928513CD | 2 | 35, 69 | | | | X | | | |
| | TRIM Nos. 16R (With Zipper) | | 9928513CE | 2 | 35, 69 | | | | X | | | |
| | TRIM Nos. 18R, 28R (With Zipper) | | 9928513CG | 2 | 35, 69 | | | | X | | | |
| | TRIM Nos. 19R (With Zipper) | | 9928513CJ | 2 | 35, 69 | | | | X | | | |
| | TRIM Nos. 30R (With Zipper) | | 9928513CY | 2 | 35, 69 | | | | X | | | |
| | TRIM Nos. 32R (With Zipper) | | 9928513DA | 2 | 35, 69 | | | | X | | | |
| | TRIM Nos. 34R (With Zipper) | | 9928513DB | 2 | 35, 69 | | | | X | | | |
| | TRIM Nos. 35R (With Zipper) | | 9928513DC | 2 | 35, 69 | | | | X | | | |
| | TRIM Nos. 36R (With Zipper) | | 9928513DE | 2 | 35, 69 | | | | X | | | |
| | TRIM Nos. 38R (With Zipper) | | 9928513DF | 2 | 35, 69 | | | | X | | | |
| | TRIM Nos. 39R (With Zipper) | | 9928513DG | 2 | 35, 69 | | | | X | | | |
| | TRIM Nos. 10T (Without Zipper) | | 2823182BA | 2 | 35, 69 | | | | X | | | |
| | TRIM Nos. 10U (Without Zipper) | | 2823182CA | 2 | 35, 69 | | | | X | | | |
| | TRIM Nos. 11T (Without Zipper) | | 2823182CA | 2 | 35, 69 | | | | X | | | |
| | TRIM Nos. 16T (Without Zipper) | | 2823182CE | 2 | 35, 69 | | | | X | | | |
| | TRIM Nos. 18U, 28U (Without Zipper) | | 2823182CG | 2 | 35, 69 | | | | X | | | |
| | TRIM Nos. 19T (Without Zipper) | | 2823182CZ | 2 | 35, 69 | | | | X | | | |
| | TRIM Nos. 21T (Without Zipper) | | 2823182CX | 2 | 35, 69 | | | | X | | | |
| | TRIM Nos. 10T (With Zipper) | | 9928515BA | 2 | 35, 69 | | | | X | | | |
| | TRIM Nos. 10U (With Zipper) | | 9928515CN | 2 | 35, 69 | | | | X | | | |
| | TRIM Nos. 11T (With Zipper) | | 9928515CA | 2 | 35, 69 | | | | X | | | |
| | TRIM Nos. 16T (With Zipper) | | 9928515CE | 2 | 35, 69 | | | | X | | | |
| | TRIM Nos. 18U, 28U (With Zipper) | | 9928515CG | 2 | 35, 69 | | | | X | | | |
| | TRIM Nos. 19T (With Zipper) | | 9928515CZ | 2 | 35, 69 | | | | X | | | |
| | TRIM Nos. 21T (With Zipper) | | 9928515CX | 2 | 35, 69 | | | | X | | | |
| | TRIM Nos. 30T (With Zipper) | | 9928515CY | 2 | 35, 69 | | | | X | | | |
| | TRIM Nos. 34T (With Zipper) | | 9928515DB | 2 | 35, 69 | | | | X | | | |
| | TRIM Nos. 36T (With Zipper) | | 9928515DE | 2 | 35, 69 | | | | X | | | |
| | TRIM Nos. 38T (With Zipper) | | 9928515DF | 2 | 35, 69 | | | | X | | | |
| | TRIM Nos. 39T (With Zipper) | | 9928515DG | 2 | 35, 69 | | | | X | | | |
| | TRIM Nos. 10X (Without Zipper) | | 2820033BA | 2 | 37 | | | X | | | | X |
| | TRIM Nos. 11X, 21X (Without Zipper) | | 2820033CA | 2 | 37 | | | X | | | | X |
| | TRIM Nos. 14X, 24X (Without Zipper) | | 2820033CD | 2 | 37 | | | X | | | | X |
| | TRIM Nos. 16X (Without Zipper) | | 2820033CE | 2 | 37 | | | X | | | | X |
| | TRIM Nos. 18X (Without Zipper) | | 2820033CG | 2 | 37 | | | X | | | | X |
| | TRIM Nos. 19X (Without Zipper) | | 2820033CJ | 2 | 37 | | | X | | | | X |
| | TRIM Nos. 10X (With Zipper) | | 9928518BA | 2 | 37 | | | X | | | | X |
| | TRIM Nos. 11X, 21X (With Zipper) | | 9928518CA | 2 | 37 | | | X | | | | X |
| | TRIM Nos. 14X, 24X (With Zipper) | | 9928518CD | 2 | 37 | | | X | | | | X |
| | TRIM Nos. 16X (With Zipper) | | 9928518CE | 2 | 37 | | | X | | | | X |
| | TRIM Nos. 18X (With Zipper) | | 9928518CG | 2 | 37 | | | X | | | | X |
| | TRIM Nos. 19X (With Zipper) | | 9928518CJ | 2 | 37 | | | X | | | | X |
| | TRIM Nos. 30X (With Zipper) | | 9928518CY | 2 | 37 | | | X | | | | X |
| | TRIM Nos. 34X (With Zipper) | | 9928518DB | 2 | 37 | | | X | | | | X |

“HQ” PARTS CATALOGUE

| GROUP | DESCRIPTION | SIDE | PART No. | QTY. | BODY STYLE | 801 802 | 803 804 | 808 | 811 812 | 814 | 815 816 | 818 |
|---------------|---|------|---------------------------|------|------------|------------|------------|-----|------------|-----|------------|-----|
| 14.800 | COVER ASSEMBLY – Front Seat Back (Bucket Seat, Reclining) (contd.) | | | | | | | | | | | |
| | TRIM Nos. 35X (With Zipper) | | 9928518DC | 2 | 37 | | | X | | | | X |
| | TRIM Nos. 36X (With Zipper) | | 9928518DE | 2 | 37 | | | X | | | | X |
| | TRIM Nos. 38X (With Zipper) | | 9928518DF | 2 | 37 | | | X | | | | X |
| | TRIM Nos. 39X (With Zipper) | | 9928518DG | 2 | 37 | | | X | | | | X |
| | TRIM Nos. 10Y (Without Zipper) | | 2820034BA | 2 | 37 | | | X | | | | X |
| | TRIM Nos. 10Z (Without Zipper) | | 2820034CP | 2 | 37 | | | X | | | | X |
| | TRIM Nos. 11Y, 21Y (Without Zipper) | | 2820034CA | 2 | 37 | | | X | | | | X |
| | TRIM Nos. 14Y, 24Y (Without Zipper) | | 2820034CD | 2 | 37 | | | X | | | | X |
| | TRIM Nos. 16Y (Without Zipper) | | 2820034CE | 2 | 37 | | | X | | | | X |
| | TRIM Nos. 18Y (Without Zipper) | | 2820034CG | 2 | 37 | | | X | | | | X |
| | TRIM Nos. 19Y (Without Zipper) | | 2820034CJ | 2 | 37 | | | X | | | | X |
| | TRIM Nos. 10Y (With Zipper) | | 9928519BA | 2 | 37 | | | X | | | | X |
| | TRIM Nos. 10Z (With Zipper) | | 9928519CP | 2 | 37 | | | X | | | | X |
| | TRIM Nos. 11Y, 21Y (With Zipper) | | 9928519CA | 2 | 37 | | | X | | | | X |
| | TRIM Nos. 14Y, 24Y (With Zipper) | | 9928519CD | 2 | 37 | | | X | | | | X |
| | TRIM Nos. 16Y (With Zipper) | | 9928519CE | 2 | 37 | | | X | | | | X |
| | TRIM Nos. 18Y (With Zipper) | | 9928519CG | 2 | 37 | | | X | | | | X |
| | TRIM Nos. 19Y (With Zipper) | | 9928519CJ | 2 | 37 | | | X | | | | X |
| | TRIM Nos. 30Y (With Zipper) | | 9928519CY | 2 | 37 | | | X | | | | X |
| | TRIM Nos. 34Y (With Zipper) | | 9928519DB | 2 | 37 | | | X | | | | X |
| | TRIM Nos. 35Y (With Zipper) | | 9928519DC | 2 | 37 | | | X | | | | X |
| | TRIM Nos. 36Y (With Zipper) | | 9928519DE | 2 | 37 | | | X | | | | X |
| | TRIM Nos. 38Y (With Zipper) | | 9928519DF | 2 | 37 | | | X | | | | X |
| | TRIM Nos. 39Y (With Zipper) | | 9928519DG | 2 | 37 | | | X | | | | X |
| | TRIM Nos. 10R (Without Zipper) | | 2823181BA | 2 | 37 | | | | X | | | |
| | TRIM Nos. 11R, 21R (Without Zipper) | | 2823181CA | 2 | 37 | | | | X | | | |
| | TRIM Nos. 12R, 22R (Without Zipper) | | 2823181CB | 2 | 37 | | | | X | | | |
| | TRIM Nos. 14R, 24R (Without Zipper) | | 2823181CD | 2 | 37 | | | | X | | | |
| | TRIM Nos. 16R (Without Zipper) | | 2823181CE | 2 | 37 | | | | X | | | |
| | TRIM Nos. 18R, 28R (Without Zipper) | | 2823181CG | 2 | 37 | | | | X | | | |
| | TRIM Nos. 19R (Without zipper) | | 2823181CJ | 2 | 37 | | | | X | | | |
| | TRIM Nos. 10R (With Zipper) | | 9928513BA | 2 | 37 | | | | X | | | |
| | TRIM Nos. 11R, 21R (With Zipper) | | 9928513CA | 2 | 37 | | | | X | | | |
| | TRIM Nos. 12R, 22R (With Zipper) | | 9928513CB | 2 | 37 | | | | X | | | |
| | TRIM Nos. 14R, 24R (With Zipper) | | 9928513CD | 2 | 37 | | | | X | | | |
| | TRIM Nos. 16R (With Zipper) | | 9928513CE | 2 | 37 | | | | X | | | |
| | TRIM Nos. 18R, 28R (With Zipper) | | 9928513CG | 2 | 37 | | | | X | | | |
| | TRIM Nos. 19R (With Zipper) | | 9928513CJ | 2 | 37 | | | | X | | | |
| | TRIM Nos. 30R (With Zipper) | | 9928513CY | 2 | 37 | | | | X | | | |
| | TRIM Nos. 32R (With Zipper) | | 9928513DA | 2 | 37 | | | | X | | | |
| | TRIM Nos. 34R (With Zipper) | | 9928513DB | 2 | 37 | | | | X | | | |
| | TRIM Nos. 35R (With Zipper) | | 9928513DC | 2 | 37 | | | | X | | | |
| | TRIM Nos. 36R (With Zipper) | | 9928513DE | 2 | 37 | | | | X | | | |
| | TRIM Nos. 38R (With Zipper) | | 9928513DF | 2 | 37 | | | | X | | | |
| | TRIM Nos. 39R (With Zipper) | | 9928513DG | 2 | 37 | | | | X | | | |
| | TRIM Nos. 10S (Without Zipper) | | 2822672BA | 2 | 37 | | | | X | | | |
| | TRIM Nos. 11S, 21S (Without Zipper) | | 2822672CA | 2 | 37 | | | | X | | | |
| | TRIM Nos. 18S (Without Zipper) | | 2822672CG | 2 | 37 | | | | X | | | |
| | TRIM Nos. 19S (Without Zipper) | | 2822672CJ | 2 | 37 | | | | X | | | |
| | TRIM Nos. 28S (Without Zipper) | | 2822672CH | 2 | 37 | | | | X | | | |
| | TRIM Nos. 10S (With Zipper) | | 9928514BA | 2 | 37 | | | | X | | | |
| | TRIM Nos. 11S, 21S (With Zipper) | | 9928514CA | 2 | 37 | | | | X | | | |
| | TRIM Nos. 18S (With Zipper) | | 9928514CG | 2 | 37 | | | | X | | | |
| | TRIM Nos. 19S (With Zipper) | | 9928514CJ | 2 | 37 | | | | X | | | |
| | TRIM Nos. 28S (With Zipper) | | 9928514CH | 2 | 37 | | | | X | | | |
| | TRIM Nos. 30T (With Zipper) | | 9928515CY | 2 | 37 | | | | X | | | |
| | TRIM Nos. 34T (With Zipper) | | 9928515DB | 2 | 37 | | | | X | | | |
| | TRIM Nos. 36T (With Zipper) | | 9928515DE | 2 | 37 | | | | X | | | |
| | TRIM Nos. 38T (With Zipper) | | 9928515DF | 2 | 37 | | | | X | | | |
| | TRIM Nos. 39T (With Zipper) | | 9928515DG | 2 | 37 | | | | X | | | |
| | TRIM Nos. 10M | | (⁸⁵ 2820363BA | 2 | 69 | | | | | X | | |
| | TRIM Nos. 11M, 21M | | (⁸⁵ 2820363CA | 2 | 69 | | | | | X | | |
| | TRIM Nos. 14M | | (⁸⁵ 2820363CD | 2 | 69 | | | | | X | | |

Note: (⁸⁵ Extension at bottom of side facing.

"HQ" PARTS CATALOGUE

| GROUP | DESCRIPTION | SIDE | PART No. | QTY. | BODY STYLE | 801 802 | 803 804 | 808 | 811 812 | 814 | 815 816 | 818 |
|---------------|--|------|---------------------------|------|------------|------------|------------|-----|------------|-----|------------|-----|
| 14.800 | COVER ASSEMBLY – Front Seat Back (Bucket Seat, Reclining) (cont'd.) | | | | | | | | | | | |
| | TRIM Nos. 18M | | (⁸⁵ 2820363CG | 2 | 69 | | | | | X | | |
| | TRIM Nos. 19M | | (⁸⁵ 2820363CJ | 2 | 69 | | | | | X | | |
| | TRIM Nos. 28M | | (⁸⁵ 2820363CH | 2 | 69 | | | | | X | | |
| | TRIM Nos. 10M | | (⁸⁵ 2829996BA | 2 | 69 | | | | | X | | |
| | TRIM Nos. 11M, 21M | | (⁸⁵ 2829996CA | 2 | 69 | | | | | X | | |
| | TRIM Nos. 14M | | (⁸⁵ 2829996CD | 2 | 69 | | | | | X | | |
| | TRIM Nos. 18M | | (⁸⁵ 2829996CG | 2 | 69 | | | | | X | | |
| | TRIM Nos. 19M | | (⁸⁵ 2829996CJ | 2 | 69 | | | | | X | | |
| | TRIM Nos. 28M | | (⁸⁵ 2829996CH | 2 | 69 | | | | | X | | |
| | TRIM Nos. 30M | | (⁸⁵ 2829996CY | 2 | 69 | | | | | X | | |
| | TRIM Nos. 34M | | (⁸⁵ 2829996DB | 2 | 69 | | | | | X | | |
| | TRIM Nos. 35M | | (⁸⁵ 2829996DC | 2 | 69 | | | | | X | | |
| | TRIM Nos. 38M | | (⁸⁵ 2829996DF | 2 | 69 | | | | | X | | |
| | TRIM Nos. 39M | | (⁸⁵ 2829996DG | 2 | 69 | | | | | X | | |
| | TRIM Nos. 10N | | (⁸⁵ 2820362BA | 2 | 69 | | | | | X | | |
| | TRIM Nos. 11N, 21N | | (⁸⁵ 2820362CA | 2 | 69 | | | | | X | | |
| | TRIM Nos. 18N, 28N | | (⁸⁵ 2820362CG | 2 | 69 | | | | | X | | |
| | TRIM Nos. 19N | | (⁸⁵ 2820362CJ | 2 | 69 | | | | | X | | |
| | TRIM Nos. 10N | | (⁸⁵ 2829995BA | 2 | 69 | | | | | X | | |
| | TRIM Nos. 11N, 21N | | (⁸⁵ 2829995CA | 2 | 69 | | | | | X | | |
| | TRIM Nos. 18N, 28N | | (⁸⁵ 2829995CG | 2 | 69 | | | | | X | | |
| | TRIM Nos. 19N | | (⁸⁵ 2829995CJ | 2 | 69 | | | | | X | | |
| | TRIM Nos. 30N | | 2829995CY | 2 | 69 | | | | | X | | |
| | TRIM Nos. 34N | | 2829995DB | 2 | 69 | | | | | X | | |
| | TRIM Nos. 35N | | 2829995DC | 2 | 69 | | | | | X | | |
| | TRIM Nos. 38N | | 2829995DF | 2 | 69 | | | | | X | | |
| | TRIM Nos. 39N | | 2829995DG | 2 | 69 | | | | | X | | |
| | TRIM Nos. 10R (8 Flutes) | | 2819776BA | 2 | 69 | | | | | | X | |
| | TRIM Nos. 11R, 21R (8 Flutes) | | 2819776CA | 2 | 69 | | | | | | X | |
| | TRIM Nos. 12R, 22R (8 Flutes) | | 2819776CB | 2 | 69 | | | | | | X | |
| | TRIM Nos. 14R, 24R (8 Flutes) | | 2819776CD | 2 | 69 | | | | | | X | |
| | TRIM Nos. 16R (8 Flutes) | | 2819776CE | 2 | 69 | | | | | | X | |
| | TRIM Nos. 18R, 28R (8 Flutes) | | 2819776CG | 2 | 69 | | | | | | X | |
| | TRIM Nos. 19R (8 Flutes) | | 2819776CJ | 2 | 69 | | | | | | X | |
| | TRIM Nos. 10R (6 Flutes) | | 9928542BA | 2 | 69 | | | | | | X | |
| | TRIM Nos. 11R, 21R (6 Flutes) | | 9928542CA | 2 | 69 | | | | | | X | |
| | TRIM Nos. 12R, 22R (6 Flutes) | | 9928542CB | 2 | 69 | | | | | | X | |
| | TRIM Nos. 14R, 24R (6 Flutes) | | 9928542CD | 2 | 69 | | | | | | X | |
| | TRIM Nos. 16R (6 Flutes) | | 9928542CE | 2 | 69 | | | | | | X | |
| | TRIM Nos. 18R, 28R (6 Flutes) | | 9928542CG | 2 | 69 | | | | | | X | |
| | TRIM Nos. 19R (6 Flutes) | | 9928542CJ | 2 | 69 | | | | | | X | |
| | TRIM Nos. 30R (6 Flutes) | | 9928542CY | 2 | 69 | | | | | | X | |
| | TRIM Nos. 32R (6 Flutes) | | 9928542DA | 2 | 69 | | | | | | X | |
| | TRIM Nos. 34R (6 Flutes) | | 9928542DB | 2 | 69 | | | | | | X | |
| | TRIM Nos. 35R (6 Flutes) | | 9928542DC | 2 | 69 | | | | | | X | |
| | TRIM Nos. 36R (6 Flutes) | | 9928542DE | 2 | 69 | | | | | | X | |
| | TRIM Nos. 38R (6 Flutes) | | 9928542DF | 2 | 69 | | | | | | X | |
| | TRIM Nos. 39R (6 Flutes) | | 9928542DG | 2 | 69 | | | | | | X | |
| | TRIM Nos. 10T (8 Flutes) | | 2819777BA | 2 | 69 | | | | | | X | |

Note: (⁸⁵ Extension at bottom of side facing.
(⁸⁶ No extension at bottom of side facing.

"HQ" PARTS CATALOGUE

| GROUP | DESCRIPTION | SIDE | PART No. | QTY. | BODY STYLE | 801 802 | 803 804 | 808 | 811 812 | 814 | 815 816 | 818 |
|---------------|---|------|-----------|------|------------|------------|------------|-----|------------|-----|------------|-----|
| 14.800 | COVER ASSEMBLY – Front Seat Back (Bucket Seat, Reclining) (contd.) | | | | | | | | | | | |
| | TRIM Nos. 10U (8 Flutes) | | 2819777CN | 2 | 69 | | | | | | X | |
| | TRIM Nos. 11T (8 Flutes) | | 2819777CA | 2 | 69 | | | | | | X | |
| | TRIM Nos. 16T (8 Flutes) | | 2819777CE | 2 | 69 | | | | | | X | |
| | TRIM Nos. 18U, 28U (8 Flutes) | | 2819777CG | 2 | 69 | | | | | | X | |
| | TRIM Nos. 19T (8 Flutes) | | 2819777CJ | 2 | 69 | | | | | | X | |
| | TRIM Nos. 21T (8 Flutes) | | 2819777CX | 2 | 69 | | | | | | X | |
| | TRIM Nos. 10T (6 Flutes) | | 9928543BA | 2 | 69 | | | | | | X | |
| | TRIM Nos. 10U (6 Flutes) | | 9928543BN | 2 | 69 | | | | | | X | |
| | TRIM Nos. 11T (6 Flutes) | | 9928543CA | 2 | 69 | | | | | | X | |
| | TRIM Nos. 16T (6 Flutes) | | 9928543CE | 2 | 69 | | | | | | X | |
| | TRIM Nos. 18U, 28U (6 Flutes) | | 9928543CG | 2 | 69 | | | | | | X | |
| | TRIM Nos. 19T (6 Flutes) | | 9928543CZ | 2 | 69 | | | | | | X | |
| | TRIM Nos. 21T (6 Flutes) | | 9928543CX | 2 | 69 | | | | | | X | |
| | TRIM Nos. 30T (6 Flutes) | | 9928543CY | 2 | 69 | | | | | | X | |
| | TRIM Nos. 34T (6 Flutes) | | 9928543DB | 2 | 69 | | | | | | X | |
| | TRIM Nos. 36T (6 Flutes) | | 9928543DE | 2 | 69 | | | | | | X | |
| | TRIM Nos. 38T (6 Flutes) | | 9928543DF | 2 | 69 | | | | | | X | |
| | TRIM Nos. 39T (6 Flutes) | | 9928543DG | 2 | 69 | | | | | | X | |
| 14.800 | FASTENER – Front Seat Back Trim | | | | | | | | | | | |
| | TRIM Nos. 10B, 10C, 10E, 10G, 10H, 10M, 10N, 10R, 10S, 10T, 10U, 10X, 10Y, 10Z, 30B, 30E, 30G, 30H, 30M, 30N, 30R, 30T, 30X, 30Y(Black) | | SP1838BA | AR | 35, 37, 69 | X | X | X | X | X | X | X |
| | TRIM Nos. 11E, 11G, 11M, 11N, 11R, 11S, 11T, 11X, 11Y, 21E, 21G, 21M, 21N, 21R, 21S, 21T, 21X, 21Y(Saddle) | | SP1838CA | AR | 35, 37, 69 | X | X | X | X | X | X | X |
| | TRIM Nos. 12B, 12E, 12R, 22E, 22R(Red) | | SP1838CB | AR | 35, 37, 69 | X | X | X | X | X | X | X |
| | TRIM Nos. 14B, 14E, 14M, 14R, 14X, 14Y, 24E, 24R, 24X, 24Y(Blue) | | SP1838CD | AR | 35, 37, 69 | X | X | X | X | X | X | X |
| | TRIM Nos. 16E, 16G, 16R, 16T, 16X, 16Y(Green) | | SP1838CE | AR | 35, 37, 69 | X | X | X | X | X | X | X |
| | TRIM Nos. 18E, 18H, 18M, 18N, 18R, 18S, 18U, 18X, 18Y, 28E, 28H, 28M, 28N, 28R, 28S, 28U(Flax) | | SP1838CG | AR | 35, 37, 69 | X | X | X | X | X | X | X |
| | TRIM Nos. 19B, 19E, 19G, 19M, 19N, 19R, 19S, 19T, 19X, 19Y(Brown) | | SP1838CJ | AR | 35, 37, 69 | X | X | X | X | X | X | X |
| | TRIM Nos. 32B, 32E, 32R(Cinnabar) | | SP1838DA | AR | ALL | X | X | X | X | X | X | X |
| | TRIM Nos. 34B, 34E, 34G, 34M, 34N, 34R, 34T, 34X, 34Y(Indigo) | | SP1838DB | AR | ALL | X | X | X | X | X | X | X |
| | TRIM Nos. 35B, 35E, 35G, 35M, 35N, 35R, 35X, 35Y(Ash) | | SP1838DC | AR | ALL | X | X | X | X | X | X | X |
| | TRIM Nos. 36E, 36G, 36R, 36T, 36X, 36Y(Juniper) | | SP1838DE | AR | ALL | X | X | X | X | X | X | X |
| | TRIM Nos. 38E, 38G, 38M, 38N, 38R, 38T, 38X, 38Y(Doeskin) | | SP1838DF | AR | ALL | X | X | X | X | X | X | X |
| | TRIM Nos. 39B, 39E, 39G, 39M, 39N, 39R, 39T, 39X, 39Y(Chestnut) | | SP1838DG | AR | ALL | X | X | X | X | X | X | X |
| 14.801 | COVER ASSEMBLY – Front Seat Back Arm Rest | | | | | | | | | | | |
| | TRIM Nos. 10E | | 9930117BA | 1 | 35, 69 | | X | | | | | |
| | TRIM Nos. 11E, 21E | | 9930117CA | 1 | 35, 69 | | X | | | | | |
| | TRIM Nos. 12E, 22E | | 9930117CB | 1 | 35, 69 | | X | | | | | |
| | TRIM Nos. 14E, 24E | | 9930117CD | 1 | 35, 69 | | X | | | | | |
| | TRIM Nos. 16E | | 9930117CE | 1 | 35, 69 | | X | | | | | |

"HQ" PARTS CATALOGUE

| GROUP | DESCRIPTION | SIDE | PART No. | QTY. | BODY STYLE | 801 802 | 803 804 | 808 | 811 812 | 814 | 815 816 | 818 |
|---------------|---|------|-----------|------|------------|------------|------------|-----|------------|-----|------------|-----|
| 14.801 | COVER ASSEMBLY – Front Seat Back Arm Rest (contd.) | | | | | | | | | | | |
| | TRIM Nos. 18E, 28E | | 9930117CG | 1 | 35, 69 | | X | | | | | |
| | TRIM Nos. 19E | | 9930117CJ | 1 | 35, 69 | | X | | | | | |
| | TRIM Nos. 30E | | 9930117CY | 1 | 35, 69 | | X | | | | | |
| | TRIM Nos. 32E | | 9930117DA | 1 | 35, 69 | | X | | | | | |
| | TRIM Nos. 34E | | 9930117DB | 1 | 35, 69 | | X | | | | | |
| | TRIM Nos. 35E | | 9930117DC | 1 | 35, 69 | | X | | | | | |
| | TRIM Nos. 36E | | 9930117DE | 1 | 35, 69 | | X | | | | | |
| | TRIM Nos. 38E | | 9930117DF | 1 | 35, 69 | | X | | | | | |
| | TRIM Nos. 39E | | 9930117DG | 1 | 35, 69 | | X | | | | | |
| | TRIM Nos. 10R | | 2819786BA | 1 | 35, 69 | | | | X | | X | |
| | TRIM Nos. 11R, 21R | | 2819786CA | 1 | 35, 69 | | | | X | | X | |
| | TRIM Nos. 12R, 22R | | 2819786CB | 1 | 35, 69 | | | | X | | X | |
| | TRIM Nos. 14R, 24R | | 2819786CD | 1 | 35, 69 | | | | X | | X | |
| | TRIM Nos. 16R | | 2819786CE | 1 | 35, 69 | | | | X | | X | |
| | TRIM Nos. 18R, 28R | | 2819786CG | 1 | 35, 69 | | | | X | | X | |
| | TRIM Nos. 19R | | 2819786CJ | 1 | 35, 69 | | | | X | | X | |
| | TRIM Nos. 30R | | 2819786CY | 1 | 35, 69 | | | | X | | X | |
| | TRIM Nos. 32R | | 2819786DA | 1 | 35, 69 | | | | X | | X | |
| | TRIM Nos. 34R | | 2819786DB | 1 | 35, 69 | | | | X | | X | |
| | TRIM Nos. 35R | | 2819786DC | 1 | 35, 69 | | | | X | | X | |
| | TRIM Nos. 36R | | 2819786DE | 1 | 35, 69 | | | | X | | X | |
| | TRIM Nos. 38R | | 2819786DF | 1 | 35, 69 | | | | X | | X | |
| | TRIM Nos. 39R | | 2819786DG | 1 | 35, 69 | | | | X | | X | |
| | TRIM Nos. 10T | | 2819787BA | 1 | 35, 69 | | | | X | | X | |
| | TRIM Nos. 10U | | 2819787CN | 1 | 35, 69 | | | | X | | X | |
| | TRIM Nos. 11T, 21T | | 2819787CX | 1 | 35, 69 | | | | X | | X | |
| | TRIM Nos. 16T | | 2819787CE | 1 | 35, 69 | | | | X | | X | |
| | TRIM Nos. 18U, 28U | | 2819787CG | 1 | 35, 69 | | | | X | | X | |
| | TRIM Nos. 19T | | 2819787CZ | 1 | 35, 69 | | | | X | | X | |
| | TRIM Nos. 30T | | 2819787CY | 1 | 35, 69 | | | | X | | X | |
| | TRIM Nos. 34T | | 2819787DB | 1 | 35, 69 | | | | X | | X | |
| | TRIM Nos. 36T | | 2819787DE | 1 | 35, 69 | | | | X | | X | |
| | TRIM Nos. 38T | | 2819787DF | 1 | 35, 69 | | | | X | | X | |
| | TRIM Nos. 39T | | 2819787DG | 1 | 35, 69 | | | | X | | X | |
| | TRIM Nos. 10M | | 2820267BA | 1 | 69 | | | | | X | | |
| | TRIM Nos. 11M, 21M | | 2820267CA | 1 | 69 | | | | | X | | |
| | TRIM Nos. 14M | | 2820267CD | 1 | 69 | | | | | X | | |
| | TRIM Nos. 18M | | 2820267CG | 1 | 69 | | | | | X | | |
| | TRIM Nos. 19M | | 2820267CJ | 1 | 69 | | | | | X | | |
| | TRIM Nos. 28M | | 2820267CH | 1 | 69 | | | | | X | | |
| | TRIM Nos. 30M | | 2820267CY | 1 | 69 | | | | | X | | |
| | TRIM Nos. 34M | | 2820267DB | 1 | 69 | | | | | X | | |
| | TRIM Nos. 35M | | 2820267DC | 1 | 69 | | | | | X | | |
| | TRIM Nos. 38M | | 2820267DF | 1 | 69 | | | | | X | | |
| | TRIM Nos. 39M | | 2820267DG | 1 | 69 | | | | | X | | |
| | TRIM Nos. 10N | | 2820266BA | 1 | 69 | | | | | X | | |
| | TRIM Nos. 11N, 21N | | 2820266CA | 1 | 69 | | | | | X | | |
| | TRIM Nos. 18N, 28N | | 2820266CG | 1 | 69 | | | | | X | | |
| | TRIM Nos. 19N | | 2820266CJ | 1 | 69 | | | | | X | | |
| | TRIM Nos. 30N | | 2820266CY | 1 | 69 | | | | | X | | |
| | TRIM Nos. 34N | | 2820266DB | 1 | 69 | | | | | X | | |
| | TRIM Nos. 35N | | 2820266DC | 1 | 69 | | | | | X | | |
| | TRIM Nos. 38N | | 2820266DF | 1 | 69 | | | | | X | | |
| | TRIM Nos. 39N | | 2820266DG | 1 | 69 | | | | | X | | |
| 14.801 | TRIM – Front Seat Back Arm Rest Recess Lower | | | | | | | | | | | |
| | TRIM Nos. 10E, 10M, 10N, 10R, 10T, 10U | | D456BA | 1 | 35, 69 | | X | | X | X | X | |
| | TRIM Nos. 11E, 11M, 11N, 11R, 11T, 21E, 21M, 21N, 21R, 21T | | D456CA | 1 | 35, 69 | | X | | X | X | X | |
| | TRIM Nos. 12E, 12R, 22E, 22R | | D456CB | 1 | 35, 69 | | X | | X | X | X | |
| | TRIM Nos. 14E, 14M, 14R, 24E, 24R | | D456CD | 1 | 35, 69 | | X | | X | X | X | |
| | TRIM Nos. 16E, 16R, 16T | | D456CE | 1 | 35, 69 | | X | | X | X | X | |

"HQ" PARTS CATALOGUE

| GROUP | DESCRIPTION | SIDE | PART No. | QTY. | BODY STYLE | 801 802 | 803 804 | 808 | 811 812 | 814 | 815 816 | 818 |
|---|---|------|-------------------------|------|--------------------|------------|------------|-----|------------|-----|------------|-----|
| 14.801 TRIM – Front Seat Back Arm Rest Recess Lower (contd.) | | | | | | | | | | | | |
| | TRIM Nos. 18E, 18M, 18N, 18R, 18U, 28E, 28M, 28N, 28R, 28U | | D456CG | 1 | 35, 69 | | X | | X | X | X | |
| | TRIM Nos. 19M, 19N, 19R, 19T | | D456CJ | 1 | 35, 69 | | X | | X | X | X | |
| | TRIM Nos. 30E, 30M, 30N, 30R, 30T | | D456CY | 1 | 35, 69 | | X | | X | X | X | |
| | TRIM Nos. 32E, 32R | | D456DA | 1 | 35, 69 | | X | | X | X | X | |
| | TRIM Nos. 34E, 34M, 34N, 34R, 34T | | D456DB | 1 | 35, 69 | | X | | X | X | X | |
| | TRIM Nos. 35E, 35M, 35N, 35R | | D456DC | 1 | 35, 69 | | X | | X | X | X | |
| | TRIM Nos. 36E, 36R, 36T | | D456DE | 1 | 35, 69 | | X | | X | X | X | |
| | TRIM Nos. 38E, 38M, 38N, 38R, 38T | | D456DF | 1 | 35, 69 | | X | | X | X | X | |
| | TRIM Nos. 39E, 39M, 39N, 39R, 39T | | D456DG | 1 | 35, 69 | | X | | X | X | X | |
| 14.802 PAD ASSEMBLY – Front Seat Back (Bench Seat) | | | | | | | | | | | | |
| | PAD ASSY. – Exc. heavy duty | | 2818097 | 1 | 35, 69 | | X | | | | | |
| | PAD ASSY. – Exc. heavy duty | | 2819960 | 1 | 60, 70, 80 | | X | | | | | |
| | PAD ASSY. – Heavy duty | | 2829897 | 1 | 35, 60, 69, 70, 80 | | X | X | | | | |
| | PAD ASSY. – Lower | | 2822695 | 1 | ALL | | X | | | | | |
| | PAD ASSY. – Exc. centre armrest | | 2823017 | 1 | 35, 69, 80 | | | X | | | | |
| | PAD ASSY. – With centre armrest | | 9930119 | 1 | 35, 69 | | | X | | | | |
| | PAD ASSY. – Lumbar support front | | 2823018 | 2 | ALL | | X | X | | X | X | |
| | PAD ASSY. – Lumbar support rear | | 2823019 | 2 | ALL | | X | X | | X | X | |
| | PAD ASSY. | | 2819387 | 1 | 35, 69 | | | | X | | X | |
| | PAD ASSY. | | 2819864 | 1 | 69 | | | | | X | | |
| | PAD – Top rear | | 2823672 | 1 | 69 | | | | | X | | |
| | PAD – Front seat back arm rest upper | | 2819380 | 1 | 35, 69 | | X | | X | X | X | |
| | PAD – Front seat back arm rest lower | | 2819632 | 1 | 35, 69 | | X | | X | X | X | |
| 14.802 PAD ASSEMBLY – Front Seat Back (Bucket Seat, Fixed Back) | | | | | | | | | | | | |
| | PAD ASSY. | | 2819030 | 2 | 35, 60, 69, 70, 80 | | X | X | | | | |
| | PAD ASSY. | | 2819368 | 2 | 35, 69 | | | | X | | X | |
| | PAD ASSY. – Top rear | | 2818996 | 2 | 35, 60, 69, 70, 80 | | X | X | | | | |
| | PAD ASSY. – Lumbar support front | | 2823018 | 2 | 35, 60, 69, 70, 80 | | X | X | | X | X | |
| | PAD ASSY. – Lumbar support rear | | 2823019 | 2 | 35, 60, 69, 70, 80 | | X | X | | X | X | |
| 14.802 PAD ASSEMBLY – Front seat back (Bucket Seat, Reclining) | | | | | | | | | | | | |
| | PAD ASSY. | | (¹⁰ 2819030 | 2 | 35, 37, 69 | | | X | | | | |
| | PAD ASSY. – Top rear | | (¹⁰ 2818996 | 2 | 35, 37, 69 | | | X | | | | |
| | PAD ASSY. | | (¹⁰ 2822736 | 2 | 37 | | | | X | | | X |
| | PAD ASSY. | | (¹⁰ 2822612 | 2 | 35, 37, 69 | | | | X | | X | |
| | PAD ASSY. | | (¹¹ 2829997 | 2 | ALL | | X | X | X | X | X | X |
| | PAD – Top rear | | (¹⁰ 2823671 | 2 | 37, 69 | | | X | | X | X | X |
| | PAD – Support | | 2822588 | 2 | ALL | | X | X | X | X | X | X |
| | PAD – Lower bar support | | 2822587 | 2 | ALL | | X | X | X | X | X | X |
| | PAD ASSY. – Lumbar support front | | (¹⁰ 2823018 | 2 | Exc. 37 | | X | X | X | X | X | |
| | PAD ASSY. – Lumbar support rear | | (¹⁰ 2823019 | 2 | Exc. 37 | | X | X | X | X | X | |
| 14.803 TRIM ASSEMBLY – Front Seat Back Rear (Bench Seat) | | | | | | | | | | | | |
| | TRIM Nos. 10R, 10T, 10U | | 2825130BA | 1 | 69 | | | | | | X | |
| | TRIM Nos. 11R, 11T, 21R, 21T | | 2825130CA | 1 | 69 | | | | | | X | |
| | TRIM Nos. 12R, 22R | | 2825130CB | 1 | 69 | | | | | | X | |
| | TRIM Nos. 14R, 24R | | 2825130CD | 1 | 69 | | | | | | X | |
| | TRIM Nos. 16R, 16T | | 2825130CE | 1 | 69 | | | | | | X | |
| | TRIM Nos. 18R, 18U, 28R, 28U | | 2825130CG | 1 | 69 | | | | | | X | |
| | TRIM Nos. 19R, 19T | | 2825130CJ | 1 | 69 | | | | | | X | |
| | TRIM Nos. 30R, 30T | | 2825130CY | 1 | 69 | | | | | | X | |
| | TRIM Nos. 32R | | 2825130DA | 1 | 69 | | | | | | X | |
| | TRIM Nos. 34R, 34T | | 2825130DB | 1 | 69 | | | | | | X | |
| | TRIM Nos. 35R | | 2825130DC | 1 | 69 | | | | | | X | |
| | TRIM Nos. 36R, 36T | | 2825130DE | 1 | 69 | | | | | | X | |
| | TRIM Nos. 38R, 38T | | 2825130DF | 1 | 69 | | | | | | X | |
| Note: (¹⁰ Use with seat cover less zipper. (¹¹ Use with seat cover having zipper. | | | | | | | | | | | | |

"HQ" PARTS CATALOGUE

| GROUP | DESCRIPTION | SIDE | PART No. | QTY. | BODY STYLE | 801 802 | 803 804 | 808 | 811 812 | 814 | 815 816 | 818 |
|--|------------------------------------|------|-----------|------|------------|------------|------------|-----|------------|-----|------------|-----|
| 14.803 TRIM ASSEMBLY – Front Seat Back Rear (Bench Seat) (contd.) | | | | | | | | | | | | |
| | TRIM Nos. 39R, 39T | | 2825130DG | 1 | 69 | | | | | | X | |
| | TRIM Nos. 10M, 10N | | 2825129BA | 1 | 69 | | | | | X | | |
| | TRIM Nos. 11M, 11N, 21M, 21N | | 2825129CA | 1 | 69 | | | | | X | | |
| | TRIM Nos. 14M | | 2825129CD | 1 | 69 | | | | | X | | |
| | TRIM Nos. 18M, 18N, 28M, 28N | | 2825129CG | 1 | 69 | | | | | X | | |
| | TRIM Nos. 19M, 19N | | 2825129CJ | 1 | 69 | | | | | X | | |
| | TRIM Nos. 30M, 30N | | 2825129CY | 1 | 69 | | | | | X | | |
| | TRIM Nos. 34M, 34N | | 2825129DB | 1 | 69 | | | | | X | | |
| | TRIM Nos. 35M, 35N | | 2825129DC | 1 | 69 | | | | | X | | |
| | TRIM Nos. 38M, 38N | | 2825129DF | 1 | 69 | | | | | X | | |
| | TRIM Nos. 39M, 39N | | 2825129DG | 1 | 69 | | | | | X | | |
| | CLIP – Trim retainer – Small | | 7377884 | AR | 69 | | | | | X | X | |
| | CLIP – Trim retainer – Large | | 7437078 | 12 | 69 | | | | | X | X | |
| 14.803 TRIM ASSEMBLY – Front Seat Back Rear (Bucket Seat, Fixed Back) | | | | | | | | | | | | |
| | TRIM Nos. 10R, 10T, 10U | | 2820443BA | 2 | 69 | | | | | | X | |
| | TRIM Nos. 11R, 11T, 21R, 21T | | 2820443CA | 2 | 69 | | | | | | X | |
| | TRIM Nos. 12R, 22R | | 2820443CB | 2 | 69 | | | | | | X | |
| | TRIM Nos. 14R, 24R | | 2820443CD | 2 | 69 | | | | | | X | |
| | TRIM Nos. 16R, 16T | | 2820443CE | 2 | 69 | | | | | | X | |
| | TRIM Nos. 18R, 18U, 28R, 28U | | 2820443CG | 2 | 69 | | | | | | X | |
| | TRIM Nos. 19R, 19T | | 2820443CJ | 2 | 69 | | | | | | X | |
| | TRIM Nos. 30R, 30T | | 2820443CY | 2 | 69 | | | | | | X | |
| | TRIM Nos. 32R | | 2820443DA | 2 | 69 | | | | | | X | |
| | TRIM Nos. 34R, 34T | | 2820443DB | 2 | 69 | | | | | | X | |
| | TRIM Nos. 35R | | 2820443DC | 2 | 69 | | | | | | X | |
| | TRIM Nos. 36R, 36T | | 2820443DE | 2 | 69 | | | | | | X | |
| | TRIM Nos. 38R, 38T | | 2820443DF | 2 | 69 | | | | | | X | |
| | TRIM Nos. 39R, 39T | | 2820443DG | 2 | 69 | | | | | | X | |
| | CLIP – Trim retainer – Small | | 7377884 | 18 | 69 | | | | | | X | |
| | CLIP – Trim retainer – Large | | 7437078 | 10 | 69 | | | | | | X | |
| 14.803 TRIM ASSEMBLY – Front Seat Back Rear (Bucket Seat, Reclining) | | | | | | | | | | | | |
| | TRIM Nos. 10R, 10T, 10U | | 2819799BA | 2 | 69 | | | | | | X | |
| | TRIM Nos. 11R, 11T, 21R, 21T | | 2819799CA | 2 | 69 | | | | | | X | |
| | TRIM Nos. 12R, 22R | | 2819799CB | 2 | 69 | | | | | | X | |
| | TRIM Nos. 14R, 24R | | 2819799CD | 2 | 69 | | | | | | X | |
| | TRIM Nos. 16R, 16T | | 2819799CE | 2 | 69 | | | | | | X | |
| | TRIM Nos. 18R, 18U, 28R, 28U | | 2819799CG | 2 | 69 | | | | | | X | |
| | TRIM Nos. 19R, 19T | | 2819799CJ | 2 | 69 | | | | | | X | |
| | TRIM Nos. 30R, 30T | | 2819799CY | 2 | 69 | | | | | | X | |
| | TRIM Nos. 32R | | 2819799DA | 2 | 69 | | | | | | X | |
| | TRIM Nos. 34R, 34T | | 2819799DB | 2 | 69 | | | | | | X | |
| | TRIM Nos. 35R | | 2819799DC | 2 | 69 | | | | | | X | |
| | TRIM Nos. 36R, 36T | | 2819799DE | 2 | 69 | | | | | | X | |
| | TRIM Nos. 38R, 38T | | 2819799DF | 2 | 69 | | | | | | X | |
| | TRIM Nos. 39R, 39T | | 2819799DG | 2 | 69 | | | | | | X | |
| | TRIM Nos. 10M, 10N | | 2820113BA | 2 | 69 | | | | | X | | |
| | TRIM Nos. 11M, 11N, 21M, 21N | | 2820113CA | 2 | 69 | | | | | X | | |
| | TRIM Nos. 14M | | 2820113CD | 2 | 69 | | | | | X | | |
| | TRIM Nos. 18M, 18N, 28M, 28N | | 2820113CG | 2 | 69 | | | | | X | | |
| | TRIM Nos. 19M, 19N | | 2820113CJ | 2 | 69 | | | | | X | | |
| | TRIM Nos. 30M, 30N | | 2820113CY | 2 | 69 | | | | | X | | |
| | TRIM Nos. 34M, 34N | | 2820113DB | 2 | 69 | | | | | X | | |
| | TRIM Nos. 35M, 35N | | 2820113DC | 2 | 69 | | | | | X | | |
| | TRIM Nos. 38M, 38N | | 2820113DF | 2 | 69 | | | | | X | | |
| | TRIM Nos. 39M, 39N | | 2820113DG | 2 | 69 | | | | | X | | |
| | CLIP – Trim retainer – Small | | 7377884 | AR | 35, 69 | | | | X | X | X | |
| | CLIP – Trim retainer – Large | | 7437078 | AR | 35, 69 | | | | X | X | X | |

"HQ" PARTS CATALOGUE

| GROUP | DESCRIPTION | SIDE | PART No. | QTY. | BODY STYLE | 801 802 | 803 804 | 808 | 811 812 | 814 | 815 816 | 818 |
|--|---|------|-----------|------|------------|------------|------------|-----|------------|-----|------------|-----|
| 14.803 POCKET – Front Seat Back Rear | | | | | | | | | | | | |
| | TRIM Nos. 10M, 10N | | 2820114BA | 2 | 69 | | | | | X | | |
| | TRIM Nos. 11M, 11N, 21M, 21N | | 2820114CA | 2 | 69 | | | | | X | | |
| | TRIM Nos. 14M | | 2820114CD | 2 | 69 | | | | | X | | |
| | TRIM Nos. 18M, 18N, 28M, 28N | | 2820114CG | 2 | 69 | | | | | X | | |
| | TRIM Nos. 19M, 19N | | 2820114CJ | 2 | 69 | | | | | X | | |
| | TRIM Nos. 30M, 30N | | 2820114CY | 2 | 69 | | | | | X | | |
| | TRIM Nos. 34M, 34N | | 2820114DB | 2 | 69 | | | | | X | | |
| | TRIM Nos. 35M, 35N | | 2820114DC | 2 | 69 | | | | | X | | |
| | TRIM Nos. 38M, 38N | | 2820114DF | 2 | 69 | | | | | X | | |
| | TRIM Nos. 39M, 39N | | 2820114DG | 2 | 69 | | | | | X | | |
| | RIVET – Pocket to trim | | SP2298 | 4 | 69 | | | | | X | | |
| 14.804 COVER ASSEMBLY – Front Seat Back Rear Lower (Bench Seat) | | | | | | | | | | | | |
| | TRIM Nos. 10M, 10N, 10R, 10T, 10U | | 2819076BA | 1 | 35, 69 | | | | X | X | X | |
| | TRIM Nos. 11M, 11N, 11R, 11T, 21M, 21N, 21R, 21T | | 2819076CA | 1 | 35, 69 | | | | X | X | X | |
| | TRIM Nos. 12R, 22R | | 2819076CB | 1 | 35, 69 | | | | X | X | X | |
| | TRIM Nos. 14M, 14R, 24R | | 2819076CD | 1 | 35, 69 | | | | X | X | X | |
| | TRIM Nos. 16R, 16T | | 2819076CE | 1 | 35, 69 | | | | X | X | X | |
| | TRIM Nos. 18M, 18N, 18R, 18U, 28M, 28N, 28R, 28U | | 2819076CG | 1 | 35, 69 | | | | X | X | X | |
| | TRIM Nos. 19M, 19N, 19R, 19T | | 2819076CJ | 1 | 35, 69 | | | | X | X | X | |
| | TRIM Nos. 30M, 30N, 30R, 30T | | 2819076CY | 1 | 35, 69 | | | | X | X | X | |
| | TRIM Nos. 32R | | 2819076DA | 1 | 35, 69 | | | | X | X | X | |
| | TRIM Nos. 34M, 34N, 34R, 34T | | 2819076DB | 1 | 35, 69 | | | | X | X | X | |
| | TRIM Nos. 35M, 35N, 35R | | 2819076DC | 1 | 35, 69 | | | | X | X | X | |
| | TRIM Nos. 36R, 36T | | 2819076DE | 1 | 35, 69 | | | | X | X | X | |
| | TRIM Nos. 38M, 38N, 38R, 38T | | 2819076DF | 1 | 35, 69 | | | | X | X | X | |
| | TRIM Nos. 39M, 39N, 39R, 39T | | 2819076DG | 1 | 35, 69 | | | | X | X | X | |
| 14.805 STRAP ASSEMBLY – Front Seat Back Robe | | | | | | | | | | | | |
| | TRIM Nos. 10M, 10N | | 2820554BA | 2 | 69 | | | | | X | | |
| | TRIM Nos. 11M, 11N, 21M, 21N | | 2820554CA | 2 | 69 | | | | | X | | |
| | TRIM Nos. 14M | | 2820554CD | 2 | 69 | | | | | X | | |
| | TRIM Nos. 18M, 18N, 28M, 28N | | 2820554CG | 2 | 69 | | | | | X | | |
| | TRIM Nos. 19M, 19N | | 2820554CJ | 2 | 69 | | | | | X | | |
| | BOLT – Strap to frame | | SP2270 | 4 | 69 | | | | | X | | |
| | CLIP | | 2814966 | 4 | 69 | | | | | X | | |
| | COVER – Strap clip | | 2820584 | 4 | 69 | | | | | X | | |
| | SPACER – Strap attaching | | 2820583 | 4 | 69 | | | | | X | | |
| | RETAINER | | 2823186 | 4 | 69 | | | | | X | | |
| 14.818 STRIP – Seat Panel | | | | | | | | | | | | |
| | STRIP – Rear seat back wear 18.32" long with slot | | 2815514 | 2 | 35 | X | X | | X | | | |
| | STRIP – Rear seat back wear 18.32" long | | 2815515 | 4 | 35 | X | X | | X | | | |
| | STRIP – Rear seat back wear 10.92" long | | 2815516 | 1 | 35 | X | X | | X | | | |
| | STRIP – Rear seat back upper finish wear | | 2815917 | 1 | 35 | X | X | | X | | | |
| 14.860 RETAINER – Front Seat Cushion Cover | | | | | | | | | | | | |
| | RETAINER | | 2819239 | 2 | ALL | X | X | X | X | X | X | X |
| 14.880 COVER ASSEMBLY – Front Seat Cushion (Bench Seat) | | | | | | | | | | | | |
| | TRIM Nos. 10A | | 2817477BA | 1 | ALL | X | | | | | | |
| | TRIM Nos. 11A, 21A | | 2817477CK | 1 | ALL | X | | | | | | |
| | TRIM Nos. 12A, 22A | | 2817477CL | 1 | ALL | X | | | | | | |
| | TRIM Nos. 14A, 24A | | 2817477CS | 1 | ALL | X | | | | | | |
| | TRIM Nos. 17A | | 2817477BK | 1 | ALL | X | | | | | | |
| | TRIM Nos. 19A | | 2817477CM | 1 | ALL | X | | | | | | |
| | TRIM Nos. 19C | | 2817477BL | 1 | ALL | X | | | | | | |
| | TRIM Nos. 30A | | 2817477CY | 1 | ALL | X | | | | | | |
| | TRIM Nos. 32A | | 2817477DJ | 1 | ALL | X | | | | | | |
| | TRIM Nos. 34A | | 2817477DK | 1 | ALL | X | | | | | | |

"HQ" PARTS CATALOGUE

| GROUP | DESCRIPTION | SIDE | PART No. | QTY. | BODY STYLE | 801 802 | 803 804 | 808 | 811 812 | 814 | 815 816 | 818 |
|---------------|--|------|-----------|------|------------|------------|------------|-----|------------|-----|------------|-----|
| 14.880 | COVER ASSEMBLY – Front Seat Cushion (Bench Seat) (contd.) | | | | | | | | | | | |
| | TRIM Nos. 35A | | 2817477DL | 1 | ALL | X | | | | | | |
| | TRIM Nos. 39A | | 2817477DM | 1 | ALL | X | | | | | | |
| | TRIM Nos. 10E | | 2817478BA | 1 | 35, 69, 80 | | X | | | | | |
| | TRIM Nos. 11E, 21E | | 2817478CA | 1 | 35, 69, 80 | | X | | | | | |
| | TRIM Nos. 12E, 22E | | 2817478CB | 1 | 35, 69, 80 | | X | | | | | |
| | TRIM Nos. 14E, 24E | | 2817478CD | 1 | 35, 69, 80 | | X | | | | | |
| | TRIM Nos. 16E | | 2817478CE | 1 | 35, 69, 80 | | X | | | | | |
| | TRIM Nos. 18E, 28E | | 2817478CG | 1 | 35, 69, 80 | | X | | | | | |
| | TRIM Nos. 19E | | 2817478CJ | 1 | 35, 69, 80 | | X | | | | | |
| | TRIM Nos. 30E | | 2817478CY | 1 | 35, 69, 80 | | X | | | | | |
| | TRIM Nos. 32E | | 2817478DA | 1 | 35, 69, 80 | | X | | | | | |
| | TRIM Nos. 34E | | 2817478DB | 1 | 35, 69, 80 | | X | | | | | |
| | TRIM Nos. 35E | | 2817478DC | 1 | 35, 69, 80 | | X | | | | | |
| | TRIM Nos. 36E | | 2817478DE | 1 | 35, 69, 80 | | X | | | | | |
| | TRIM Nos. 38E | | 2817478DF | 1 | 35, 69, 80 | | X | | | | | |
| | TRIM Nos. 39E | | 2817478DG | 1 | 35, 69, 80 | | X | | | | | |
| | TRIM Nos. 10G | | 2818907BA | 1 | 35, 69 | | X | | | | | |
| | TRIM Nos. 10H | | 2818907CN | 1 | 35, 69 | | X | | | | | |
| | TRIM Nos. 11G | | 2818907CA | 1 | 35, 69 | | X | | | | | |
| | TRIM Nos. 16G | | 2818907CE | 1 | 35, 69 | | X | | | | | |
| | TRIM Nos. 18H, 28H | | 2818907CG | 1 | 35, 69 | | X | | | | | |
| | TRIM Nos. 19G | | 2818907CJ | 1 | 35, 69 | | X | | | | | |
| | TRIM Nos. 21G | | 2818907CX | 1 | 35, 69 | | X | | | | | |
| | TRIM Nos. 30G | | 2818907CY | 1 | 35, 69 | | X | | | | | |
| | TRIM Nos. 30H | | 2818907DH | 1 | 35, 69 | | X | | | | | |
| | TRIM Nos. 34G | | 2818907DB | 1 | 35, 69 | | X | | | | | |
| | TRIM Nos. 35G | | 2818907DC | 1 | 35, 69 | | X | | | | | |
| | TRIM Nos. 36G | | 2818907DE | 1 | 35, 69 | | X | | | | | |
| | TRIM Nos. 38G | | 2818907DF | 1 | 35, 69 | | X | | | | | |
| | TRIM Nos. 39G | | 2818907DG | 1 | 35, 69 | | X | | | | | |
| | TRIM Nos. 81A, 81D | | 9932181CA | 1 | 69 | | X | | | | | |
| | TRIM Nos. 81B | | 9932181CK | 1 | 69 | | X | | | | | |
| | TRIM Nos. 82A | | 9932181CB | 1 | 69 | | X | | | | | |
| | TRIM Nos. 82B | | 9932181CL | 1 | 69 | | X | | | | | |
| | TRIM Nos. 84A | | 9932181CD | 1 | 69 | | X | | | | | |
| | TRIM Nos. 84B | | 9932181CS | 1 | 69 | | X | | | | | |
| | TRIM Nos. 86A | | 9932181CE | 1 | 69 | | X | | | | | |
| | TRIM Nos. 88A | | 9932181CG | 1 | 69 | | X | | | | | |
| | TRIM Nos. 89A | | 9932181CJ | 1 | 69 | | X | | | | | |
| | TRIM Nos. 89B | | 9932181CM | 1 | 69 | | X | | | | | |
| | TRIM Nos. 10R | | 2819355BA | 1 | 35, 69 | | | | X | | X | |
| | TRIM Nos. 11R, 21R | | 2819355CA | 1 | 35, 69 | | | | X | | X | |
| | TRIM Nos. 12R, 22R | | 2819355CB | 1 | 35, 69 | | | | X | | X | |
| | TRIM Nos. 14R, 24R | | 2819355CD | 1 | 35, 69 | | | | X | | X | |
| | TRIM Nos. 16R | | 2819355CE | 1 | 35, 69 | | | | X | | X | |
| | TRIM Nos. 18R, 28R | | 2819355CG | 1 | 35, 69 | | | | X | | X | |
| | TRIM Nos. 19R | | 2819355CJ | 1 | 35, 69 | | | | X | | X | |
| | TRIM Nos. 30R | | 2819355CY | 1 | 35, 69 | | | | X | | X | |
| | TRIM Nos. 32R | | 2819355DB | 1 | 35, 69 | | | | X | | X | |
| | TRIM Nos. 34R | | 2819355DB | 1 | 35, 69 | | | | X | | X | |
| | TRIM Nos. 35R | | 2819355DC | 1 | 35, 69 | | | | X | | X | |
| | TRIM Nos. 36R | | 2819355DE | 1 | 35, 69 | | | | X | | X | |
| | TRIM Nos. 38R | | 2819355DF | 1 | 35, 69 | | | | X | | X | |
| | TRIM Nos. 39R | | 2819355DG | 1 | 35, 69 | | | | X | | X | |
| | TRIM Nos. 10T | | 2819356BA | 1 | 35, 69 | | | | X | | X | |
| | TRIM Nos. 10U | | 2819356CN | 1 | 35, 69 | | | | X | | X | |
| | TRIM Nos. 11T, 21T | | 2819356CX | 1 | 35, 69 | | | | X | | X | |
| | TRIM Nos. 16T | | 2819356CE | 1 | 35, 69 | | | | X | | X | |
| | TRIM Nos. 18U, 28U | | 2819356CG | 1 | 35, 69 | | | | X | | X | |
| | TRIM Nos. 19T | | 2819356CZ | 1 | 35, 69 | | | | X | | X | |
| | TRIM Nos. 30T | | 2819356CY | 1 | 35, 69 | | | | X | | X | |
| | TRIM Nos. 34T | | 2819356DB | 1 | 35, 69 | | | | X | | X | |
| | TRIM Nos. 36T | | 2819356DE | 1 | 35, 69 | | | | X | | X | |
| | TRIM Nos. 38T | | 2819356DF | 1 | 35, 69 | | | | X | | X | |

"HQ" PARTS CATALOGUE

| GROUP | DESCRIPTION | SIDE | PART No. | QTY. | BODY STYLE | 801 802 | 803 804 | 808 | 811 812 | 814 | 815 816 | 818 |
|---|--|------|---------------------------|------|--------------------|------------|------------|-----|------------|-----|------------|-----|
| 14.880 COVER ASSEMBLY – Front Seat Cushion (Bench Seat) (contd.) | | | | | | | | | | | | |
| | TRIM Nos. 39T | | 2819356DG | 1 | 35, 69 | | | | X | | X | |
| | TRIM Nos. 10M | | 2820237BA | 1 | 69 | | | | | X | | |
| | TRIM Nos. 11M, 21M | | 2820237CA | 1 | 69 | | | | | X | | |
| | TRIM Nos. 14M | | 2820237CD | 1 | 69 | | | | | X | | |
| | TRIM Nos. 18M | | 2820237CG | 1 | 69 | | | | | X | | |
| | TRIM Nos. 19M | | 2820237CJ | 1 | 69 | | | | | X | | |
| | TRIM Nos. 28M | | 2820237CH | 1 | 69 | | | | | X | | |
| | TRIM Nos. 30M | | 2820237CY | 1 | 69 | | | | | X | | |
| | TRIM Nos. 34M | | 2820237DB | 1 | 69 | | | | | X | | |
| | TRIM Nos. 35M | | 2820237DC | 1 | 69 | | | | | X | | |
| | TRIM Nos. 38M | | 2820237DF | 1 | 69 | | | | | X | | |
| | TRIM Nos. 39M | | 2820237DG | 1 | 69 | | | | | X | | |
| | TRIM Nos. 10N | | 2820236BA | 1 | 69 | | | | | X | | |
| | TRIM Nos. 11N, 21N | | 2820236CA | 1 | 69 | | | | | X | | |
| | TRIM Nos. 18N, 28N | | 2820236CG | 1 | 69 | | | | | X | | |
| | TRIM Nos. 19N | | 2820236CJ | 1 | 69 | | | | | X | | |
| | TRIM Nos. 30N | | 2820236CY | 1 | 69 | | | | | X | | |
| | TRIM Nos. 34N | | 2820236DB | 1 | 69 | | | | | X | | |
| | TRIM Nos. 35N | | 2820236DC | 1 | 69 | | | | | X | | |
| | TRIM Nos. 38N | | 2820236DF | 1 | 69 | | | | | X | | |
| | TRIM Nos. 39N | | 2820236DG | 1 | 69 | | | | | X | | |
| 14.880 COVER ASSEMBLY – Front Seat Cushion (Bucket Seat, Fixed Back) | | | | | | | | | | | | |
| | TRIM Nos. 10B, 10E | | 2819126BA | 2 | 35, 60, 69, 70, 80 | X | X | | | | | |
| | TRIM Nos. 11B, 11E, 21B, 21E | | 2819126CA | 2 | 35, 60, 69, 70, 80 | X | X | | | | | |
| | TRIM Nos. 12B, 12E, 22B, 22E | | 2819126CB | 2 | 35, 60, 69, 70, 80 | X | X | | | | | |
| | TRIM Nos. 14B, 14E, 24B, 24E | | 2819126CD | 2 | 35, 60, 69, 70, 80 | X | X | | | | | |
| | TRIM Nos. 16E | | 2819126CE | 2 | 35, 60, 69, 70, 80 | X | X | | | | | |
| | TRIM Nos. 18E, 28E | | 2819126CG | 2 | 35, 60, 69, 70, 80 | X | X | | | | | |
| | TRIM Nos. 19B, 19E | | 2819126CJ | 2 | 35, 60, 69, 70, 80 | X | X | | | | | |
| | TRIM Nos. 10G | | 2819127BA | 2 | 35, 69 | | X | | | | | |
| | TRIM Nos. 10H | | 2819127CN | 2 | 35, 69 | | X | | | | | |
| | TRIM Nos. 11G | | 2819127CA | 2 | 35, 69 | | X | | | | | |
| | TRIM Nos. 16G | | 2819127CE | 2 | 35, 69 | | X | | | | | |
| | TRIM Nos. 18H, 28H | | 2819127CG | 2 | 35, 69 | | X | | | | | |
| | TRIM Nos. 19G | | 2819127CJ | 2 | 35, 69 | | X | | | | | |
| | TRIM Nos. 21G | | 2819127CX | 2 | 35, 69 | | X | | | | | |
| | TRIM Nos. 10R | | 2820174BA | 2 | 35, 69 | | | | X | | X | |
| | TRIM Nos. 11R, 21R | | 2820174CA | 2 | 35, 69 | | | | X | | X | |
| | TRIM Nos. 12R, 22R | | 2820174CB | 2 | 35, 69 | | | | X | | X | |
| | TRIM Nos. 14R, 24R | | 2820174CD | 2 | 35, 69 | | | | X | | X | |
| | TRIM Nos. 16R | | 2820174CE | 2 | 35, 69 | | | | X | | X | |
| | TRIM Nos. 18R, 28R | | 2820174CG | 2 | 35, 69 | | | | X | | X | |
| | TRIM Nos. 19R | | 2820174CJ | 2 | 35, 69 | | | | X | | X | |
| | TRIM Nos. 10T | | 2820175BA | 2 | 35, 69 | | | | X | | X | |
| | TRIM Nos. 10U | | 2820175CN | 2 | 35, 69 | | | | X | | X | |
| | TRIM Nos. 11T | | 2820175CA | 2 | 35, 69 | | | | X | | X | |
| | TRIM Nos. 16T | | 2820175CE | 2 | 35, 69 | | | | X | | X | |
| | TRIM Nos. 18U, 28U | | 2820175CG | 2 | 35, 69 | | | | X | | X | |
| | TRIM Nos. 19T | | 2820175CJ | 2 | 35, 69 | | | | X | | X | |
| | TRIM Nos. 21T | | 2820175CX | 2 | 35, 69 | | | | X | | X | |
| 14.880 COVER ASSEMBLY – Front Seat Cushion (Bucket Seat, Reclining) | | | | | | | | | | | | |
| | TRIM Nos. 10C | | 9928517BA | 2 | 69 | X | | | | | | |
| | TRIM Nos. 10D | | 9928517CN | 2 | 69 | X | | | | | | |
| | TRIM Nos. 10E | | (⁸⁷ 2819206BA | 2 | 35, 37, 69 | | X | | | | | |
| | TRIM Nos. 11E, 21E | | (⁸⁷ 2819206CA | 2 | 35, 37, 69 | | X | | | | | |
| | TRIM Nos. 12E, 22E | | (⁸⁷ 2819206CB | 2 | 35, 37, 69 | | X | | | | | |
| | TRIM Nos. 14E, 24E | | (⁸⁷ 2819206CD | 2 | 35, 37, 69 | | X | | | | | |
| | TRIM Nos. 16E | | (⁸⁷ 2819206CE | 2 | 35, 37, 69 | | X | | | | | |
| | TRIM Nos. 18E, 28E | | (⁸⁷ 2819206CG | 2 | 35, 37, 69 | | X | | | | | |
| | TRIM Nos. 19E | | (⁸⁷ 2819206CJ | 2 | 35, 37, 69 | | X | | | | | |
| | Note: (⁸⁷ Full length flutes. | | | | | | | | | | | |

BODY

“HQ” PARTS CATALOGUE

| GROUP | DESCRIPTION | SIDE | PART No. | QTY. | BODY STYLE | 801 802 | 803 804 | 808 | 811 812 | 814 | 815 816 | 818 |
|---------------|--|------|---------------------------|------|------------|------------|------------|-----|------------|-----|------------|-----|
| 14.880 | COVER ASSEMBLY – Front Seat Cushion (Bucket Seat, Reclining) (contd.) | | | | | | | | | | | |
| | TRIM Nos. 10E | | (³⁶ 9928755BA | 2 | ALL | X | X | | | | | |
| | TRIM Nos. 11B, 11E, 21B, 21E | | (³⁶ 9928755CA | 2 | ALL | X | X | | | | | |
| | TRIM Nos. 12B, 12E, 22B, 22E | | (³⁶ 9928755CB | 2 | ALL | X | X | | | | | |
| | TRIM Nos. 14B, 14E, 24B, 24E | | (³⁶ 9928755CD | 2 | ALL | X | X | | | | | |
| | TRIM Nos. 16E | | (³⁶ 9928755CE | 2 | ALL | X | X | | | | | |
| | TRIM Nos. 18E, 28E | | (³⁶ 9928755CG | 2 | ALL | X | X | | | | | |
| | TRIM Nos. 19B, 19E | | (³⁶ 9928755CJ | 2 | ALL | X | X | | | | | |
| | TRIM Nos. 30B, 30E | | (³⁶ 9928755CY | 2 | ALL | X | X | | | | | |
| | TRIM Nos. 32B, 32E | | (³⁶ 9928755DA | 2 | ALL | X | X | | | | | |
| | TRIM Nos. 34B, 34E | | (³⁶ 9928755DB | 2 | ALL | X | X | | | | | |
| | TRIM Nos. 35B, 35E | | (³⁶ 9928755DG | 2 | ALL | X | X | | | | | |
| | TRIM Nos. 36E | | (³⁶ 9928755DE | 2 | ALL | X | X | | | | | |
| | TRIM Nos. 38E | | (³⁶ 9928755DF | 2 | ALL | X | X | | | | | |
| | TRIM Nos. 39B, 39E | | (³⁶ 9928755DG | 2 | ALL | X | X | | | | | |
| | TRIM Nos. 10G | | (³⁷ 2819207BA | 2 | 35, 69 | | X | | | | | |
| | TRIM Nos. 10H | | (³⁷ 2819207CN | 2 | 35, 69 | | X | | | | | |
| | TRIM Nos. 11G, 21G | | (³⁷ 2819207CX | 2 | 35, 69 | | X | | | | | |
| | TRIM Nos. 16G | | (³⁷ 2819207CE | 2 | 35, 69 | | X | | | | | |
| | TRIM Nos. 18H, 28H | | (³⁷ 2819207CG | 2 | 35, 69 | | X | | | | | |
| | TRIM Nos. 19G | | (³⁷ 2819207CZ | 2 | 35, 69 | | X | | | | | |
| | TRIM Nos. 10G | | (³⁸ 9928756BA | 2 | 35, 69 | | X | | | | | |
| | TRIM Nos. 10H | | (³⁸ 9928756CN | 2 | 35, 69 | | X | | | | | |
| | TRIM Nos. 11G | | (³⁸ 9928756CA | 2 | 35, 69 | | X | | | | | |
| | TRIM Nos. 16G | | (³⁸ 9928756CE | 2 | 35, 69 | | X | | | | | |
| | TRIM Nos. 18H, 28H | | (³⁸ 9928756CG | 2 | 35, 69 | | X | | | | | |
| | TRIM Nos. 19G | | (³⁸ 9928756CZ | 2 | 35, 69 | | X | | | | | |
| | TRIM Nos. 21G | | (³⁸ 9928756CX | 2 | 35, 69 | | X | | | | | |
| | TRIM Nos. 30G | | (³⁸ 9928756CY | 2 | 35, 69 | | X | | | | | |
| | TRIM Nos. 30H | | (³⁸ 9928756DH | 2 | 35, 69 | | X | | | | | |
| | TRIM Nos. 34G | | (³⁸ 9928756DB | 2 | 35, 69 | | X | | | | | |
| | TRIM Nos. 35G | | (³⁸ 9928756DC | 2 | 35, 69 | | X | | | | | |
| | TRIM Nos. 36G | | (³⁸ 9928756DE | 2 | 35, 69 | | X | | | | | |
| | TRIM Nos. 38G | | (³⁸ 9928756DF | 2 | 35, 69 | | X | | | | | |
| | TRIM Nos. 39G | | (³⁸ 9928756DG | 2 | 35, 69 | | X | | | | | |
| | TRIM Nos. 10X | | 9928516BA | 2 | 69 | | X | | | | | |
| | TRIM Nos. 11X, 21X | | 9928516CA | 2 | 69 | | X | | | | | |
| | TRIM Nos. 14X, 24X | | 9928516CD | 2 | 69 | | X | | | | | |
| | TRIM Nos. 16X | | 9928516CE | 2 | 69 | | X | | | | | |
| | TRIM Nos. 18X | | 9928516CG | 2 | 69 | | X | | | | | |
| | TRIM Nos. 19X | | 9928516CJ | 2 | 69 | | X | | | | | |
| | TRIM Nos. 30X | | 9928516CY | 2 | 69 | | X | | | | | |
| | TRIM Nos. 34X | | 9928516DB | 2 | 69 | | X | | | | | |
| | TRIM Nos. 35X | | 9928516DC | 2 | 69 | | X | | | | | |
| | TRIM Nos. 38X | | 9928516DE | 2 | 69 | | X | | | | | |
| | TRIM Nos. 38X | | 9928516DF | 2 | 69 | | X | | | | | |
| | TRIM Nos. 39X | | 9928516DG | 2 | 69 | | X | | | | | |
| | TRIM Nos. 10Y | | 9928517BA | 2 | 69 | | X | | | | | |
| | TRIM Nos. 10Z | | 9928517CP | 2 | 69 | | X | | | | | |
| | TRIM Nos. 11Y, 21Y | | 9928517CA | 2 | 69 | | X | | | | | |
| | TRIM Nos. 14Y, 24Y | | 9928517CD | 2 | 69 | | X | | | | | |
| | TRIM Nos. 16Y | | 9928517CE | 2 | 69 | | X | | | | | |
| | TRIM Nos. 18Y | | 9928517CG | 2 | 69 | | X | | | | | |
| | TRIM Nos. 19Y | | 9928517CJ | 2 | 69 | | X | | | | | |
| | TRIM Nos. 30Y | | 9928517CY | 2 | 69 | | X | | | | | |
| | TRIM Nos. 34Y | | 9928517DB | 2 | 69 | | X | | | | | |
| | TRIM Nos. 35Y | | 9928517DC | 2 | 69 | | X | | | | | |
| | TRIM Nos. 36Y | | 9928517DE | 2 | 69 | | X | | | | | |
| | TRIM Nos. 38Y | | 9928517DF | 2 | 69 | | X | | | | | |
| | TRIM Nos. 39Y | | 9928517DG | 2 | 69 | | X | | | | | |
| | TRIM Nos. 10R (8 Flutes) | | 2819774BA | 2 | 35, 69 | | | | X | | X | |
| | TRIM Nos. 11R, 21R (8 Flutes) | | 2819774CA | 2 | 35, 69 | | | | X | | X | |
| | TRIM Nos. 12R, 22R (8 Flutes) | | 2819774CB | 2 | 35, 69 | | | | X | | X | |

Note: (³⁷ Full length flutes.
(³⁸ Partial length flutes.

"HQ" PARTS CATALOGUE

| GROUP | DESCRIPTION | SIDE | PART No. | QTY. | BODY STYLE | 801 802 | 803 804 | 808 | 811 812 | 814 | 815 816 | 818 |
|---------------|--|------|---------------------------|------|------------|------------|------------|-----|------------|-----|------------|-----|
| 14.880 | COVER ASSEMBLY – Front Seat Cushion (Bucket Seat, Reclining) (contd.) | | | | | | | | | | | |
| | TRIM Nos. 14R, 24R (8 Flutes) | | 2819774CD | 2 | 35, 69 | | | | X | | X | |
| | TRIM Nos. 16R (8 Flutes) | | 2819774CE | 2 | 35, 69 | | | | X | | X | |
| | TRIM Nos. 18R, 28R (8 Flutes) | | 2819774CG | 2 | 35, 69 | | | | X | | X | |
| | TRIM Nos. 19R (8 Flutes) | | 2819774CJ | 2 | 35, 69 | | | | X | | X | |
| | TRIM Nos. 10R (6 Flutes) | | 9928510BA | 2 | 35, 69 | | | | X | | X | |
| | TRIM Nos. 11R, 21R (6 Flutes) | | 9928510CA | 2 | 35, 69 | | | | X | | X | |
| | TRIM Nos. 12R, 22R (6 Flutes) | | 9928510CB | 2 | 35, 69 | | | | X | | X | |
| | TRIM Nos. 14R, 24R (6 Flutes) | | 9928510CD | 2 | 35, 69 | | | | X | | X | |
| | TRIM Nos. 16R (6 Flutes) | | 9928510CE | 2 | 35, 69 | | | | X | | X | |
| | TRIM Nos. 18R, 28R (6 Flutes) | | 9928510CG | 2 | 35, 69 | | | | X | | X | |
| | TRIM Nos. 19R (6 Flutes) | | 9928510CJ | 2 | 35, 69 | | | | X | | X | |
| | TRIM Nos. 30R (6 Flutes) | | 9928510CY | 2 | 35, 69 | | | | X | | X | |
| | TRIM Nos. 32R (6 Flutes) | | 9928510DA | 2 | 35, 69 | | | | X | | X | |
| | TRIM Nos. 34R (6 Flutes) | | 9928510DB | 2 | 35, 69 | | | | X | | X | |
| | TRIM Nos. 35R (6 Flutes) | | 9928510DC | 2 | 35, 69 | | | | X | | X | |
| | TRIM Nos. 36R (6 Flutes) | | 9928510DE | 2 | 35, 69 | | | | X | | X | |
| | TRIM Nos. 38R (6 Flutes) | | 9928510DF | 2 | 35, 69 | | | | X | | X | |
| | TRIM Nos. 39R (6 Flutes) | | 9928510DG | 2 | 35, 69 | | | | X | | X | |
| | TRIM Nos. 10T (8 Flutes) | | 2819775BA | 2 | 35, 69 | | | | X | | X | |
| | TRIM Nos. 10U (8 Flutes) | | 2819775CN | 2 | 35, 69 | | | | X | | X | |
| | TRIM Nos. 11T (8 Flutes) | | 2819775CX | 2 | 35, 69 | | | | X | | X | |
| | TRIM Nos. 16T (8 Flutes) | | 2819775CE | 2 | 35, 69 | | | | X | | X | |
| | TRIM Nos. 18U, 28U (8 Flutes) | | 2819775CG | 2 | 35, 69 | | | | X | | X | |
| | TRIM Nos. 19T (8 Flutes) | | 2819775CJ | 2 | 35, 69 | | | | X | | X | |
| | TRIM Nos. 21T (8 Flutes) | | 2819775CX | 2 | 35, 69 | | | | X | | X | |
| | TRIM Nos. 10T (6 Flutes) | | 9928512BA | 2 | 35, 69 | | | | X | | X | |
| | TRIM Nos. 10U (6 Flutes) | | 9928512CN | 2 | 35, 69 | | | | X | | X | |
| | TRIM Nos. 11T (6 Flutes) | | 9928512CA | 2 | 35, 69 | | | | X | | X | |
| | TRIM Nos. 16T (6 Flutes) | | 9928512CE | 2 | 35, 69 | | | | X | | X | |
| | TRIM Nos. 18U, 28U (6 Flutes) | | 9928512CG | 2 | 35, 69 | | | | X | | X | |
| | TRIM Nos. 19T (6 Flutes) | | 9928512CX | 2 | 35, 69 | | | | X | | X | |
| | TRIM Nos. 21T (6 Flutes) | | 9928512CZ | 2 | 35, 69 | | | | X | | X | |
| | TRIM Nos. 30T (6 Flutes) | | 9928512CY | 2 | 35, 69 | | | | X | | X | |
| | TRIM Nos. 34T (6 Flutes) | | 9928512DB | 2 | 35, 69 | | | | X | | X | |
| | TRIM Nos. 36T (6 Flutes) | | 9928512DE | 2 | 35, 69 | | | | X | | X | |
| | TRIM Nos. 38T (6 Flutes) | | 9928512DF | 2 | 35, 69 | | | | X | | X | |
| | TRIM Nos. 39T (6 Flutes) | | 9928512DG | 2 | 35, 69 | | | | X | | X | |
| | TRIM Nos. 10X | | ⁽³⁸⁾ 2820031BA | 2 | 37 | | | X | | | | X |
| | TRIM Nos. 11X, 21X | | ⁽³⁸⁾ 2820031CA | 2 | 37 | | | X | | | | X |
| | TRIM Nos. 14X, 24X | | ⁽³⁸⁾ 2820031CD | 2 | 37 | | | X | | | | X |
| | TRIM Nos. 16X | | ⁽³⁸⁾ 2820031CE | 2 | 37 | | | X | | | | X |
| | TRIM Nos. 18X | | ⁽³⁸⁾ 2820031CG | 2 | 37 | | | X | | | | X |
| | TRIM Nos. 19X | | ⁽³⁸⁾ 2820031CJ | 2 | 37 | | | X | | | | X |
| | TRIM Nos. 10X | | ⁽⁴⁰⁾ 9928516BA | 2 | 37 | | | X | | | | X |
| | TRIM Nos. 11X, 21X | | ⁽⁴⁰⁾ 9928516CA | 2 | 37 | | | X | | | | X |
| | TRIM Nos. 14X, 24X | | ⁽⁴⁰⁾ 9928516CD | 2 | 37 | | | X | | | | X |
| | TRIM Nos. 16X | | ⁽⁴⁰⁾ 9928516CE | 2 | 37 | | | X | | | | X |
| | TRIM Nos. 18X | | ⁽⁴⁰⁾ 9928516CG | 2 | 37 | | | X | | | | X |
| | TRIM Nos. 19X | | ⁽⁴⁰⁾ 9928516CJ | 2 | 37 | | | X | | | | X |
| | TRIM Nos. 30X | | ⁽⁴⁰⁾ 9928516CY | 2 | 37 | | | X | | | | X |
| | TRIM Nos. 34X | | ⁽⁴⁰⁾ 9928516DB | 2 | 37 | | | X | | | | X |
| | TRIM Nos. 35X | | ⁽⁴⁰⁾ 9928516DC | 2 | 37 | | | X | | | | X |
| | TRIM Nos. 36X | | ⁽⁴⁰⁾ 9928516DE | 2 | 37 | | | X | | | | X |
| | TRIM Nos. 38X | | ⁽⁴⁰⁾ 9928516DF | 2 | 37 | | | X | | | | X |
| | TRIM Nos. 39X | | ⁽⁴⁰⁾ 9928516DG | 2 | 37 | | | X | | | | X |
| | TRIM Nos. 10Y | | ⁽³⁸⁾ 2820032BA | 2 | 37 | | | X | | | | X |
| | TRIM Nos. 10Z | | ⁽³⁸⁾ 2820032CP | 2 | 37 | | | X | | | | X |
| | TRIM Nos. 11Y, 21Y | | ⁽³⁸⁾ 2820032CA | 2 | 37 | | | X | | | | X |
| | TRIM Nos. 14Y, 24Y | | ⁽³⁸⁾ 2820032CD | 2 | 37 | | | X | | | | X |
| | TRIM Nos. 16Y | | ⁽³⁸⁾ 2820032CE | 2 | 37 | | | X | | | | X |
| | TRIM Nos. 18Y | | ⁽³⁸⁾ 2820032CG | 2 | 37 | | | X | | | | X |
| | TRIM Nos. 19Y | | ⁽³⁸⁾ 2820032CJ | 2 | 37 | | | X | | | | X |

Note: ⁽³⁸⁾ 3-piece side facing.
⁽⁴⁰⁾ 5-piece side facing.

"HQ" PARTS CATALOGUE

| GROUP | DESCRIPTION | SIDE | PART No. | QTY. | BODY STYLE | 801 802 | 803 804 | 808 | 811 812 | 814 | 815 816 | 818 |
|---------------|--|------|---------------------------|------|------------|------------|------------|-----|------------|-----|------------|-----|
| 14.880 | COVER ASSEMBLY – Front Seat Cushion (Bucket Seat, Reclining) (contd.) | | | | | | | | | | | |
| | TRIM Nos. 10Y | | (⁴⁰ 9928517BA | 2 | 37 | | | X | | | | X |
| | TRIM Nos. 10Z | | (⁴⁰ 9928517CP | 2 | 37 | | | X | | | | X |
| | TRIM Nos. 11Y, 21Y | | (⁴⁰ 9928517CA | 2 | 37 | | | X | | | | X |
| | TRIM Nos. 14Y, 24Y | | (⁴⁰ 9928517CD | 2 | 37 | | | X | | | | X |
| | TRIM Nos. 16Y | | (⁴⁰ 9928517CE | 2 | 37 | | | X | | | | X |
| | TRIM Nos. 18Y | | (⁴⁰ 9928517CG | 2 | 37 | | | X | | | | X |
| | TRIM Nos. 19Y | | (⁴⁰ 9928517CJ | 2 | 37 | | | X | | | | X |
| | TRIM Nos. 30Y | | (⁴⁰ 9928517CY | 2 | 37 | | | X | | | | X |
| | TRIM Nos. 34Y | | (⁴⁰ 9928517DB | 2 | 37 | | | X | | | | X |
| | TRIM Nos. 35Y | | (⁴⁰ 9928517DC | 2 | 37 | | | X | | | | X |
| | TRIM Nos. 36Y | | (⁴⁰ 9928517DE | 2 | 37 | | | X | | | | X |
| | TRIM Nos. 38Y | | (⁴⁰ 9928517DF | 2 | 37 | | | X | | | | X |
| | TRIM Nos. 39Y | | (⁴⁰ 9928517DG | 2 | 37 | | | X | | | | X |
| | TRIM Nos. 10R (8 Flutes) | | 2819774BA | 2 | 37 | | | | X | | | |
| | TRIM Nos. 11R, 21R (8 Flutes) | | 2819774CA | 2 | 37 | | | | X | | | |
| | TRIM Nos. 12R, 22R (8 Flutes) | | 2819774CB | 2 | 37 | | | | X | | | |
| | TRIM Nos. 14R, 24R (8 Flutes) | | 2819774CD | 2 | 37 | | | | X | | | |
| | TRIM Nos. 16R (8 Flutes) | | 2819774CE | 2 | 37 | | | | X | | | |
| | TRIM Nos. 18R, 28R (8 Flutes) | | 2819774CF | 2 | 37 | | | | X | | | |
| | TRIM Nos. 19R (8 Flutes) | | 2819774CJ | 2 | 37 | | | | X | | | |
| | TRIM Nos. 10R (6 Flutes) | | 9928510BA | 2 | 37 | | | | X | | | |
| | TRIM Nos. 11R, 21R (6 Flutes) | | 9928510CA | 2 | 37 | | | | X | | | |
| | TRIM Nos. 12R, 22R (6 Flutes) | | 9928510CB | 2 | 37 | | | | X | | | |
| | TRIM Nos. 14R, 24R (6 Flutes) | | 9928510CD | 2 | 37 | | | | X | | | |
| | TRIM Nos. 16R (6 Flutes) | | 9928510CE | 2 | 37 | | | | X | | | |
| | TRIM Nos. 18R, 28R (6 Flutes) | | 9928510CF | 2 | 37 | | | | X | | | |
| | TRIM Nos. 19R (6 Flutes) | | 9928510CJ | 2 | 37 | | | | X | | | |
| | TRIM Nos. 30R (6 Flutes) | | 9928510CY | 2 | 37 | | | | X | | | |
| | TRIM Nos. 32R (6 Flutes) | | 9928510DA | 2 | 37 | | | | X | | | |
| | TRIM Nos. 34R (6 Flutes) | | 9928510DB | 2 | 37 | | | | X | | | |
| | TRIM Nos. 35R (6 Flutes) | | 9928510DC | 2 | 37 | | | | X | | | |
| | TRIM Nos. 36R (6 Flutes) | | 9928510DE | 2 | 37 | | | | X | | | |
| | TRIM Nos. 38R (6 Flutes) | | 9928510DF | 2 | 37 | | | | X | | | |
| | TRIM Nos. 39R (6 Flutes) | | 9928510DG | 2 | 37 | | | | X | | | |
| | TRIM Nos. 10S (8 Flutes) | | 2822671BA | 2 | 37 | | | | X | | | |
| | TRIM Nos. 11S, 21S (8 Flutes) | | 2822671CA | 2 | 37 | | | | X | | | |
| | TRIM Nos. 18S (8 Flutes) | | 2822671CG | 2 | 37 | | | | X | | | |
| | TRIM Nos. 19S (8 Flutes) | | 2822671CJ | 2 | 37 | | | | X | | | |
| | TRIM Nos. 28S (8 Flutes) | | 2822671CH | 2 | 37 | | | | X | | | |
| | TRIM Nos. 10S (6 Flutes) | | 9928511BA | 2 | 37 | | | | X | | | |
| | TRIM Nos. 11S, 21S (6 Flutes) | | 9928511CA | 2 | 37 | | | | X | | | |
| | TRIM Nos. 18S (6 Flutes) | | 9928511CG | 2 | 37 | | | | X | | | |
| | TRIM Nos. 19S (6 Flutes) | | 9928511CJ | 2 | 37 | | | | X | | | |
| | TRIM Nos. 28S (6 Flutes) | | 9928511CH | 2 | 37 | | | | X | | | |
| | TRIM Nos. 30T | | 9928512CY | 2 | 37 | | | | X | | | |
| | TRIM Nos. 34T | | 9928512DB | 2 | 37 | | | | X | | | |
| | TRIM Nos. 36T | | 9928512DE | 2 | 37 | | | | X | | | |
| | TRIM Nos. 38T | | 9928512DF | 2 | 37 | | | | X | | | |
| | TRIM Nos. 39T | | 9928512DG | 2 | 37 | | | | X | | | |
| | TRIM Nos. 10M | | (³⁸ 2820365BA | 2 | 69 | | | | | X | | |
| | TRIM Nos. 11M, 21M | | (³⁹ 2820365CA | 2 | 69 | | | | | X | | |
| | TRIM Nos. 18M | | (³⁹ 2820365CG | 2 | 69 | | | | | X | | |
| | TRIM Nos. 19M | | (³⁹ 2820365CJ | 2 | 69 | | | | | X | | |
| | TRIM Nos. 28M | | (³⁸ 2820365CH | 2 | 69 | | | | X | | | |
| | TRIM Nos. 10M | | (⁴⁰ 2829994BA | 2 | 69 | | | | | X | | |
| | TRIM Nos. 11M, 21M | | (⁴⁰ 2829994CA | 2 | 69 | | | | | X | | |
| | TRIM Nos. 14M | | (⁴⁰ 2829994CD | 2 | 69 | | | | | X | | |
| | TRIM Nos. 18M | | (⁴⁰ 2829994CG | 2 | 69 | | | | | X | | |
| | TRIM Nos. 19M | | (⁴⁰ 2829994CJ | 2 | 69 | | | | | X | | |
| | TRIM Nos. 28M | | (⁴⁰ 2829994CH | 2 | 69 | | | | | X | | |
| | TRIM Nos. 30M | | (⁴⁰ 2829994CY | 2 | 69 | | | | | X | | |
| | TRIM Nos. 34M | | (⁴⁰ 2829994DB | 2 | 69 | | | | | X | | |

Note: (³⁸ 3-piece side facing.
(⁴⁰ 5-piece side facing.

"HQ" PARTS CATALOGUE

| GROUP | DESCRIPTION | SIDE | PART No. | QTY. | BODY STYLE | 801 802 | 803 804 | 808 | 811 812 | 814 | 815 816 | 818 |
|---------------|--|------|---------------------------|------|--------------------|------------|------------|-----|------------|-----|------------|-----|
| 14.880 | COVER ASSEMBLY – Front Seat Cushion (Bucket Seat, Reclining) | | | | | | | | | | | |
| | TRIM Nos. 35M | | (⁴⁰ 2829994DC | 2 | 69 | | | | | X | | |
| | TRIM Nos. 38M | | (⁴⁰ 2829994DF | 2 | 69 | | | | | X | | |
| | TRIM Nos. 39M | | (⁴⁰ 2829994DG | 2 | 69 | | | | | X | | |
| | TRIM Nos. 10N | | (⁸⁰ 2820364BA | 2 | 69 | | | | | X | | |
| | TRIM Nos. 11N, 21N | | (⁸⁰ 2820364CA | 2 | 69 | | | | | X | | |
| | TRIM Nos. 18N, 28N | | (⁸⁰ 2820364CG | 2 | 69 | | | | | X | | |
| | TRIM Nos. 19N | | (⁸⁰ 2820364CJ | 2 | 69 | | | | | X | | |
| | TRIM Nos. 10N | | (⁴⁰ 2829993BA | 2 | 69 | | | | | X | | |
| | TRIM Nos. 11N, 21N | | (⁴⁰ 2829993CA | 2 | 69 | | | | | X | | |
| | TRIM Nos. 18N, 28N | | (⁴⁰ 2829993CG | 2 | 69 | | | | | X | | |
| | TRIM Nos. 19N | | (⁴⁰ 2829993CJ | 2 | 69 | | | | | X | | |
| | TRIM Nos. 30N | | (⁴⁰ 2829993CY | 2 | 69 | | | | | X | | |
| | TRIM Nos. 34N | | (⁴⁰ 2829993DE | 2 | 69 | | | | | X | | |
| | TRIM Nos. 35N | | (⁴⁰ 2829993DG | 2 | 69 | | | | | X | | |
| | TRIM Nos. 38N | | (⁴⁰ 2829993DF | 2 | 69 | | | | | X | | |
| | TRIM Nos. 39N | | (⁴⁰ 2829993DG | 2 | 69 | | | | | X | | |
| 14.890 | PAD ASSEMBLY – Front Seat Cushion (Bench Seat) | | | | | | | | | | | |
| | PAD – Exc. heavy duty | | 2817821 | 1 | ALL | X | | | | | | |
| | PAD ASSY. – Exc. heavy duty | | 2823016 | 1 | 35, 69, 80 | | X | | | | | |
| | PAD ASSY. – Heavy duty | | 9928664 | 1 | 35, 60, 69, 70, 80 | X | X | | | | | |
| | PAD ASSY. | | 2817833 | 1 | 35, 69 | | | | X | | X | |
| | PAD ASSY. – Lower | | 2819289 | 1 | 35, 69 | | | | X | | X | |
| | PAD ASSY. | | 2819781 | 1 | 69 | | | | | X | | |
| | PAD ASSY. – Lower | | 2820374 | 1 | 69 | | | | | X | | |
| | PAD – Centre rear | | D903 | 1 | 69 | | | | | X | | |
| | INSULATOR ASSY. | | 7389343 | 1 | 35, 60, 69, 70, 80 | X | X | | X | X | X | |
| 14.890 | PAD ASSEMBLY – Front Seat Cushion (Bucket Seat) | | | | | | | | | | | |
| | PAD ASSY. – Fixed back | | 2819120 | 2 | 35, 60, 69, 70, 80 | X | X | | | | | |
| | PAD ASSY. – Fixed back | | 2819617 | 2 | 35, 69 | | | | X | | X | |
| | PAD ASSY. – Reclining (Flat pad) | | 2819172 | 2 | 35, 37, 69 | | X | | | | | |
| | PAD ASSY. – Reclining (One piece moulded pad) | | 2822487 | 2 | ALL | X | X | X | X | X | X | X |
| | PAD ASSY. – Front (Use with 6 flute cover) | | 2822776 | 2 | ALL | X | X | | | | | |
| | PAD – Riser (Reclining bucket seat) | | 2824431 | 2 | ALL | | | X | X | | X | X |
| 14.924 | COVER – Front Seat Back Head Restraint | | | | | | | | | | | |
| | TRIM Nos. 10A, 10B, 10C, 10E, 10G, 10H, 10M, 10N, 10R, 10S, 10T, 10U, 10X, 10Y, 10Z, 30A, 30B, 30E, 30G, 30H, 30M, 30N, 30R, 30T, 30X, 30Y | | 2820326BA | 2 | ALL | X | X | X | X | X | X | X |
| | TRIM Nos. 11A, 11B, 11E, 11G, 11M, 11N, 11R, 11S, 11T, 11X, 11Y, 21A, 21B, 21E, 21G, 21M, 21N, 21R, 21S, 21T, 21X, 21Y | | 2820326CA | 2 | ALL | X | X | X | X | X | X | X |
| | TRIM Nos. 12A, 12B, 12E, 12R, 22A, 22B, 22E, 22R | | 2820326CB | 2 | ALL | X | X | X | X | X | X | X |
| | TRIM Nos. 14A, 14B, 14E, 14M, 14R, 14X, 14Y, 24A, 24B, 24E, 24R, 24X, 24Y | | 2820326CD | 2 | ALL | X | X | X | X | X | X | X |
| | TRIM Nos. 16E, 16G, 16R, 16T, 16X, 16Y | | 2820326CE | 2 | ALL | X | X | X | X | X | X | X |
| | TRIM Nos. 18E, 18H, 18M, 18N, 18R, 18S, 18U, 18X, 18Y, 28E, 28H, 28M, 28N, 28R, 28S, 28U | | 2820326CG | 2 | ALL | X | X | X | X | X | X | X |
| | TRIM Nos. 19A, 19B, 19E, 19G, 19M, 19N, 19R, 19S, 19T, 19X, 19Y | | 2820326CJ | 2 | ALL | X | X | X | X | X | X | X |
| | TRIM Nos. 32A, 32B, 32E, 32R | | 2820326DA | 2 | ALL | X | X | X | X | X | X | X |
| | TRIM Nos. 34A, 34B, 34E, 34G, 34M, 34N, 34R, 34T, 34X, 34Y | | 2820326DB | 2 | ALL | X | X | X | X | X | X | X |
| | TRIM Nos. 35A, 35B, 35E, 35G, 35M, 35N, 35R, 35X, 35Y | | 2820326DC | 2 | ALL | X | X | X | X | X | X | X |
| | TRIM Nos. 36E, 36G, 36R, 36T, 36X, 36Y | | 2820326DE | 2 | ALL | X | X | X | X | X | X | X |
| | TRIM Nos. 38E, 38G, 38M, 38N, 38R, 38T, 38X, 38Y | | 2820326DF | 2 | ALL | X | X | X | X | X | X | X |
| | TRIM Nos. 39A, 39B, 39E, 39G, 39M, 39N, 39R, 39T, 39X, 39Y | | 2820326DG | 2 | ALL | X | X | X | X | X | X | X |
| | Note: (⁸⁰ 3-piece side facing. (⁴⁰ 5-piece side facing. | | | | | | | | | | | |

BODY

“HQ” PARTS CATALOGUE

| GROUP | DESCRIPTION | SIDE | PART No. | QTY. | BODY STYLE | 801 802 | 803 804 | 808 | 811 812 | 814 | 815 816 | 818 |
|---------------|--|------|----------|------|------------|------------|------------|-----|------------|-----|------------|-----|
| 14.924 | FASTENER -- Cover to Pad | | | | | | | | | | | |
| | TRIM Nos. 10A, 10B, 10C, 10E, 10G, 10H, 10M, 10N; 10R, 10S, 10T, 10U, 10X, 10Y, 10Z, 30A, 30B, 30E, 30G, 30H, 30M, 30N, 30R, 30T, 30X, 30Y | | SP1838BA | 8 | ALL | X | X | X | X | X | X | X |
| | TRIM Nos. 11A, 11B, 11E, 11G, 11M, 11N, 11R, 11S, 11T, 11X, 11Y, 21A, 21B, 21E, 21G, 21M, 21N, 21R 21S, 21T, 21X, 21Y | | SP1838CA | 8 | ALL | X | X | X | X | X | X | X |
| | TRIM Nos. 12A, 12B, 12E, 12R, 22A, 22B, 22E, 22R | | SP1838CB | 8 | ALL | X | X | X | X | X | X | X |
| | TRIM Nos. 14A, 14B, 14E, 14M, 14R, 14X, 14Y, 24A, 24B, 24E, 24R, 24X, 24Y | | SP1838CD | 8 | ALL | X | X | X | X | X | X | X |
| | TRIM Nos. 16E, 16G, 16R, 16T, 16X, 16Y | | SP1838CE | 8 | ALL | X | X | X | X | X | X | X |
| | TRIM Nos. 17A | | SP1838BK | 8 | ALL | X | X | X | X | X | X | X |
| | TRIM Nos. 18E, 18H, 18M, 18N, 18R, 18S, 18U, 18X, 18Y, 28E, 28H, 28M, 28N, 28R, 28S, 28U | | SP1838CG | 8 | ALL | X | X | X | X | X | X | X |
| | TRIM Nos. 19C | | SP1838BL | 8 | ALL | X | X | X | X | X | X | X |
| | TRIM Nos. 19A, 19B, 19E, 19G, 19M, 19N, 19R, 19S, 19T, 19X, 19Y | | SP1838CJ | 8 | ALL | X | X | X | X | X | X | X |
| | TRIM Nos. 32A, 32B, 32E, 32R | | SP1838DA | 8 | ALL | X | X | X | X | X | X | X |
| | TRIM Nos. 34A, 34B, 34E, 34G, 34M, 34N, 34R, 34T, 34X, 34Y | | SP1838DB | 8 | ALL | X | X | X | X | X | X | X |
| | TRIM Nos. 35A, 35B, 35E, 35G, 35M, 35N, 35R, 35X, 35Y | | SP1838DC | 8 | ALL | X | X | X | X | X | X | X |
| | TRIM Nos. 36E, 36G, 36R, 36T, 36X, 36Y | | SP1838DE | 8 | ALL | X | X | X | X | X | X | X |
| | TRIM Nos. 38E, 38G, 38M, 38N, 38R, 38T, 38X, 38Y | | SP1838DF | 8 | ALL | X | X | X | X | X | X | X |
| | TRIM Nos. 39A, 39B, 39E, 39G, 39M, 39N, 39R, 39T, 39X, 39Y | | SP1838DG | 8 | ALL | X | X | X | X | X | X | X |
| | RETAINER - Cover | | 2820160 | 2 | ALL | X | X | X | X | X | X | X |
| 14.925 | PAD ASSEMBLY -- Front Seat Back Head Restraint | | | | | | | | | | | |
| | PAD ASSY. | | 2807124 | 2 | ALL | X | X | X | X | X | X | X |
| 14.998 | BACK ASSEMBLY, ARM REST ASSEMBLY -- Rear Seat | | | | | | | | | | | |
| | CURRENT PRODUCTION REAR SEAT BACK ASSEMBLIES AND ARM REST ASSEMBLIES WILL BE SUPPLIED IN CURRENT PRODUCTION TRIM ON A FIRM ORDER BASIS. | | | | | | | | | | | |

"HQ" PARTS CATALOGUE

| GROUP | DESCRIPTION | SIDE | PART No. | QTY. | BODY STYLE | 801 802 | 803 804 | 808 | 811 812 | 814 | 815 816 | 818 |
|---------------|---------------------------------------|------|-----------|------|------------|------------|------------|-----|------------|-----|------------|-----|
| 15.000 | COVER ASSY. - Rear seat back | | | | | | | | | | | |
| | TRIM Nos. 10A | | 2818593BA | 1 | 35 | X | | | | | | |
| | TRIM Nos. 11A, 21A | | 2818593CK | 1 | 35 | X | | | | | | |
| | TRIM Nos. 12A, 22A | | 2818593CL | 1 | 35 | X | | | | | | |
| | TRIM Nos. 14A, 24A | | 2818593CS | 1 | 35 | X | | | | | | |
| | TRIM Nos. 17A | | 2818593BK | 1 | 35 | X | | | | | | |
| | TRIM Nos. 19A | | 2818593CM | 1 | 35 | X | | | | | | |
| | TRIM Nos. 19C | | 2818593BL | 1 | 35 | X | | | | | | |
| | TRIM Nos. 30A | | 2818593CY | 1 | 35 | X | | | | | | |
| | TRIM Nos. 32A | | 2818593DJ | 1 | 35 | X | | | | | | |
| | TRIM Nos. 34A | | 2818593DK | 1 | 35 | X | | | | | | |
| | TRIM Nos. 35A | | 2818593DL | 1 | 35 | X | | | | | | |
| | TRIM Nos. 39A | | 2818593DM | 1 | 35 | X | | | | | | |
| | TRIM Nos. 10B, 10E | | 2818594BA | 1 | 35 | X | X | | | | | |
| | TRIM Nos. 11B, 11E, 21B, 21E | | 2818594CA | 1 | 35 | X | X | | | | | |
| | TRIM Nos. 12B, 12E, 22B, 22E | | 2818594CB | 1 | 35 | X | X | | | | | |
| | TRIM Nos. 14B, 14E, 24B, 24E | | 2818594CD | 1 | 35 | X | X | | | | | |
| | TRIM Nos. 16E | | 2818594CE | 1 | 35 | | X | | | | | |
| | TRIM Nos. 18E, 28E | | 2818594CG | 1 | 35 | | X | | | | | |
| | TRIM Nos. 19B, 19E | | 2818594CJ | 1 | 35 | X | X | | | | | |
| | TRIM Nos. 30B, 30E | | 2818594CY | 1 | 35 | X | X | | | | | |
| | TRIM Nos. 32B, 32E | | 2818594DA | 1 | 35 | X | X | | | | | |
| | TRIM Nos. 34B, 34E | | 2818594DB | 1 | 35 | X | X | | | | | |
| | TRIM Nos. 35B, 35E | | 2818594DC | 1 | 35 | X | X | | | | | |
| | TRIM Nos. 36E | | 2818594DE | 1 | 35 | X | X | | | | | |
| | TRIM Nos. 38E | | 2818594DF | 1 | 35 | X | X | | | | | |
| | TRIM Nos. 39B, 39E | | 2818594DG | 1 | 35 | X | X | | | | | |
| | TRIM Nos. 10G (All cloth) | | 2818747BA | 1 | 35 | | X | | | | | |
| | TRIM Nos. 10H (All cloth) | | 2818747CN | 1 | 35 | | X | | | | | |
| | TRIM Nos. 16G (All cloth) | | 2818747CE | 1 | 35 | | X | | | | | |
| | TRIM Nos. 10G (Half cloth) | | 2825469BA | 1 | 35 | | X | | | | | |
| | TRIM Nos. 10H (Half cloth) | | 2825469CN | 1 | 35 | | X | | | | | |
| | TRIM Nos. 11G (Half cloth) | | 2825469CA | 1 | 35 | | X | | | | | |
| | TRIM Nos. 16G (Half cloth) | | 2825469CE | 1 | 35 | | X | | | | | |
| | TRIM Nos. 18H, 28H (Half cloth) | | 2825469CG | 1 | 35 | | X | | | | | |
| | TRIM Nos. 19G (Half cloth) | | 2825469CJ | 1 | 35 | | X | | | | | |
| | TRIM Nos. 21G (Half cloth) | | 2825469CX | 1 | 35 | | X | | | | | |
| | TRIM Nos. 30G (Half cloth) | | 2825469CY | 1 | 35 | | X | | | | | |
| | TRIM Nos. 30H (Half cloth) | | 2825469DH | 1 | 35 | | X | | | | | |
| | TRIM Nos. 34G (Half cloth) | | 2825469DB | 1 | 35 | | X | | | | | |
| | TRIM Nos. 35G (Half cloth) | | 2825469DC | 1 | 35 | | X | | | | | |
| | TRIM Nos. 36G (Half cloth) | | 2825469DE | 1 | 35 | | X | | | | | |
| | TRIM Nos. 38G (Half cloth) | | 2825469DF | 1 | 35 | | X | | | | | |
| | TRIM Nos. 39G (Half cloth) | | 2825469DG | 1 | 35 | | X | | | | | |
| | TRIM Nos. 10R | | 2819361BA | 1 | 35 | | | | X | | | |
| | TRIM Nos. 11R, 21R | | 2819361CA | 1 | 35 | | | | X | | | |
| | TRIM Nos. 12R, 22R | | 2819361CB | 1 | 35 | | | | X | | | |
| | TRIM Nos. 14R, 24R | | 2819361CD | 1 | 35 | | | | X | | | |
| | TRIM Nos. 16R | | 2819361CE | 1 | 35 | | | | X | | | |
| | TRIM Nos. 18R, 28R | | 2819361CG | 1 | 35 | | | | X | | | |
| | TRIM Nos. 19R | | 2819361CJ | 1 | 35 | | | | X | | | |
| | TRIM Nos. 30R | | 2819361CY | 1 | 35 | | | | X | | | |
| | TRIM Nos. 32R | | 2819361DA | 1 | 35 | | | | X | | | |
| | TRIM Nos. 34R | | 2819361DB | 1 | 35 | | | | X | | | |
| | TRIM Nos. 35R | | 2819361DC | 1 | 35 | | | | X | | | |
| | TRIM Nos. 36R | | 2819361DE | 1 | 35 | | | | X | | | |
| | TRIM Nos. 38R | | 2819361DF | 1 | 35 | | | | X | | | |
| | TRIM Nos. 39R | | 2819361DG | 1 | 35 | | | | X | | | |
| | TRIM Nos. 10T | | 2819363BA | 1 | 35 | | | | X | | | |
| | TRIM Nos. 10U | | 2819363CN | 1 | 35 | | | | X | | | |
| | TRIM Nos. 11T | | 2819363CA | 1 | 35 | | | | X | | | |
| | TRIM Nos. 16T | | 2819363CE | 1 | 35 | | | | X | | | |
| | TRIM Nos. 18U, 28U | | 2819363CG | 1 | 35 | | | | X | | | |
| | TRIM Nos. 19T | | 2819363CJ | 1 | 35 | | | | X | | | |
| | TRIM No. 21T | | 2819363CX | 1 | 35 | | | | X | | | |

BODY

"HQ" PARTS CATALOGUE

| GROUP | DESCRIPTION | SIDE | PART No. | QTY. | BODY STYLE | 801 802 | 803 804 | 808 | 811 812 | 814 | 815 816 | 818 |
|---------------|--|------|-----------|------|------------|------------|------------|-----|------------|-----|------------|-----|
| 15.000 | COVER ASSY. — Rear seat back (contd.) | | | | | | | | | | | |
| | TRIM Nos. 30T | | 2819363CY | 1 | 35 | | | | X | | | |
| | TRIM Nos. 34T | | 2819363DB | 1 | 35 | | | | X | | | |
| | TRIM Nos. 36T | | 2819363DE | 1 | 35 | | | | X | | | |
| | TRIM Nos. 38T | | 2819363DF | 1 | 35 | | | | X | | | |
| | TRIM Nos. 39T | | 2819363DG | 1 | 35 | | | | X | | | |
| | TRIM Nos. 10E | | 2819704BA | 1 | 37 | | X | | | | | |
| | TRIM Nos. 11E, 21E | | 2819704CA | 1 | 37 | | X | | | | | |
| | TRIM Nos. 12E, 22E | | 2819704CB | 1 | 37 | | X | | | | | |
| | TRIM Nos. 14E, 24E | | 2819704CD | 1 | 37 | | X | | | | | |
| | TRIM Nos. 18E, 28E | | 2819704CG | 1 | 37 | | X | | | | | |
| | TRIM Nos. 19E | | 2819704CJ | 1 | 37 | | X | | | | | |
| | TRIM Nos. 30E | | 2819704CY | 1 | 37 | | X | | | | | |
| | TRIM Nos. 32E | | 2819704DA | 1 | 37 | | X | | | | | |
| | TRIM Nos. 34E | | 2819704DB | 1 | 37 | | X | | | | | |
| | TRIM Nos. 35E | | 2819704DC | 1 | 37 | | X | | | | | |
| | TRIM Nos. 36E | | 2819704DE | 1 | 37 | | X | | | | | |
| | TRIM Nos. 38E | | 2819704DF | 1 | 37 | | X | | | | | |
| | TRIM Nos. 39E | | 2819704DG | 1 | 37 | | X | | | | | |
| | TRIM Nos. 30G | | 9929142CY | 1 | 37 | | X | | | | | |
| | TRIM Nos. 30H | | 9929142DA | 1 | 37 | | X | | | | | |
| | TRIM Nos. 34G | | 9929142DB | 1 | 37 | | X | | | | | |
| | TRIM Nos. 35G | | 9929142DC | 1 | 37 | | X | | | | | |
| | TRIM Nos. 36G | | 9929142DE | 1 | 37 | | X | | | | | |
| | TRIM Nos. 38G | | 9929142DF | 1 | 37 | | X | | | | | |
| | TRIM Nos. 39G | | 9929142DG | 1 | 37 | | X | | | | | |
| | TRIM Nos. 10X | | 2819898BA | 1 | 37 | | | X | | | | X |
| | TRIM Nos. 11X, 21X | | 2819898CA | 1 | 37 | | | X | | | | X |
| | TRIM Nos. 14X, 24X | | 2819898CD | 1 | 37 | | | X | | | | X |
| | TRIM Nos. 16X | | 2819898CE | 1 | 37 | | | X | | | | X |
| | TRIM Nos. 18X | | 2819898CG | 1 | 37 | | | X | | | | X |
| | TRIM Nos. 19X | | 2819898CJ | 1 | 37 | | | X | | | | X |
| | TRIM Nos. 30X | | 2819898CY | 1 | 37 | | | X | | | | X |
| | TRIM Nos. 34X | | 2819898DB | 1 | 37 | | | X | | | | X |
| | TRIM Nos. 35X | | 2819898DC | 1 | 37 | | | X | | | | X |
| | TRIM Nos. 36X | | 2819898DE | 1 | 37 | | | X | | | | X |
| | TRIM Nos. 38X | | 2819898DF | 1 | 37 | | | X | | | | X |
| | TRIM Nos. 39X | | 2819898DG | 1 | 37 | | | X | | | | X |
| | TRIM Nos. 10Y | | 2819899BA | 1 | 37 | | | X | | | | X |
| | TRIM Nos. 10Z | | 2819899CP | 1 | 37 | | | X | | | | X |
| | TRIM Nos. 11Y, 21Y | | 2819899CA | 1 | 37 | | | X | | | | X |
| | TRIM Nos. 14Y, 24Y | | 2819899CD | 1 | 37 | | | X | | | | X |
| | TRIM Nos. 16Y | | 2819899CE | 1 | 37 | | | X | | | | X |
| | TRIM Nos. 18Y | | 2819899CG | 1 | 37 | | | X | | | | X |
| | TRIM Nos. 19Y | | 2819899CJ | 1 | 37 | | | X | | | | X |
| | TRIM Nos. 30Y | | 2819899CY | 1 | 37 | | | X | | | | X |
| | TRIM Nos. 34Y | | 2819899DB | 1 | 37 | | | X | | | | X |
| | TRIM Nos. 35Y | | 2819899DC | 1 | 37 | | | X | | | | X |
| | TRIM Nos. 36Y | | 2819899DE | 1 | 37 | | | X | | | | X |
| | TRIM Nos. 38Y | | 2819899DF | 1 | 37 | | | X | | | | X |
| | TRIM Nos. 39Y | | 2819899DG | 1 | 37 | | | X | | | | X |
| | TRIM Nos. 10R | | 2819896BA | 1 | 37 | | | | X | | | |
| | TRIM Nos. 11R, 21R | | 2819896CA | 1 | 37 | | | | X | | | |
| | TRIM Nos. 12R, 22R | | 2819896CB | 1 | 37 | | | | X | | | |
| | TRIM Nos. 14R, 24R | | 2819896CD | 1 | 37 | | | | X | | | |
| | TRIM Nos. 16R | | 2819896CE | 1 | 37 | | | | X | | | |
| | TRIM Nos. 18R, 28R | | 2819896CG | 1 | 37 | | | | X | | | |
| | TRIM Nos. 19R | | 2819896CJ | 1 | 37 | | | | X | | | |
| | TRIM Nos. 30R | | 2819896CY | 1 | 37 | | | | X | | | |
| | TRIM Nos. 32R | | 2819896DA | 1 | 37 | | | | X | | | |
| | TRIM Nos. 34R | | 2819896DB | 1 | 37 | | | | X | | | |
| | TRIM Nos. 35R | | 2819896DC | 1 | 37 | | | | X | | | |
| | TRIM Nos. 36R | | 2819896DE | 1 | 37 | | | | X | | | |
| | TRIM Nos. 38R | | 2819896DF | 1 | 37 | | | | X | | | |
| | TRIM Nos. 39R | | 2819896DG | 1 | 37 | | | | X | | | |

“HQ” PARTS CATALOGUE

| GROUP | DESCRIPTION | SIDE | PART No. | QTY. | BODY STYLE | 801 802 | 803 804 | 808 | 811 812 | 814 | 815 816 | 818 |
|---|---------------------------------------|------|-----------|------|------------|------------|------------|-----|------------|-----|------------|-----|
| 15.000 COVER ASSY. – Rear seat back (contd.) | | | | | | | | | | | | |
| | TRIM Nos. 10S | | 2819897BA | 1 | 37 | | | | X | | | |
| | TRIM Nos. 11S, 21S | | 2819897CA | 1 | 37 | | | | X | | | |
| | TRIM Nos. 18S | | 2819897CG | 1 | 37 | | | | X | | | |
| | TRIM Nos. 19S | | 2819897CJ | 1 | 37 | | | | X | | | |
| | TRIM Nos. 28S | | 2819897CH | 1 | 37 | | | | X | | | |
| | TRIM Nos. 30T | | 2819897CY | 1 | 37 | | | | X | | | |
| | TRIM Nos. 34T | | 2819897DB | 1 | 37 | | | | X | | | |
| | TRIM Nos. 36T | | 2819897DE | 1 | 37 | | | | X | | | |
| | TRIM Nos. 38T | | 2819897DF | 1 | 37 | | | | X | | | |
| | TRIM Nos. 39T | | 2819897DG | 1 | 37 | | | | X | | | |
| | TRIM Nos. 10C | | 9928979BA | 1 | 69 | X | | | | | | |
| | TRIM Nos. 10D | | 9928979CN | 1 | 69 | X | | | | | | |
| | TRIM Nos. 10A | | 2817483BA | 1 | 69 | X | | | | | | |
| | TRIM Nos. 11A, 21A | | 2817483CK | 1 | 69 | X | | | | | | |
| | TRIM Nos. 12A, 22A | | 2817483CL | 1 | 69 | X | | | | | | |
| | TRIM Nos. 14A, 24A | | 2817483CS | 1 | 69 | X | | | | | | |
| | TRIM Nos. 17A | | 2817483BK | 1 | 69 | X | | | | | | |
| | TRIM Nos. 19A | | 2817483CM | 1 | 69 | X | | | | | | |
| | TRIM Nos. 19C | | 2817483BL | 1 | 69 | X | | | | | | |
| | TRIM Nos. 30A | | 2817483CY | 1 | 69 | X | | | | | | |
| | TRIM Nos. 32A | | 2817483DJ | 1 | 69 | X | | | | | | |
| | TRIM Nos. 34A | | 2817483DK | 1 | 69 | X | | | | | | |
| | TRIM Nos. 35A | | 2817483DL | 1 | 69 | X | | | | | | |
| | TRIM Nos. 39A | | 2817483DM | 1 | 69 | X | | | | | | |
| | TRIM Nos. 10B, 10E | | 2817484BA | 1 | 69 | X | X | | | | | |
| | TRIM Nos. 11B, 11E, 21B, 21E | | 2817484CA | 1 | 69 | X | X | | | | | |
| | TRIM Nos. 12B, 12E, 22B, 22E | | 2817484CB | 1 | 69 | X | X | | | | | |
| | TRIM Nos. 14B, 14E, 24B, 24E | | 2817484CD | 1 | 69 | X | X | | | | | |
| | TRIM Nos. 16E | | 2817484CE | 1 | 69 | | X | | | | | |
| | TRIM Nos. 18E, 28E | | 2817484CG | 1 | 69 | | X | | | | | |
| | TRIM Nos. 19B, 19E | | 2817484CJ | 1 | 69 | X | X | | | | | |
| | TRIM Nos. 30B, 30E | | 2817484CY | 1 | 69 | X | X | | | | | |
| | TRIM Nos. 32B, 32E | | 2817484DA | 1 | 69 | X | X | | | | | |
| | TRIM Nos. 34B, 34E | | 2817484DB | 1 | 69 | X | X | | | | | |
| | TRIM Nos. 35B, 35E | | 2817484DC | 1 | 69 | X | X | | | | | |
| | TRIM Nos. 36E | | 2817484DE | 1 | 69 | X | X | | | | | |
| | TRIM Nos. 38E | | 2817484DF | 1 | 69 | X | X | | | | | |
| | TRIM Nos. 39B, 39E | | 2817484DG | 1 | 69 | X | X | | | | | |
| | TRIM Nos. 10G (All cloth) | | 2818595BA | 1 | 69 | | X | | | | | |
| | TRIM Nos. 10G (Half cloth) | | 2825466BA | 1 | 69 | | X | | | | | |
| | TRIM Nos. 10H (Half cloth) | | 2825466CN | 1 | 69 | | X | | | | | |
| | TRIM Nos. 11G (Half cloth) | | 2825466CA | 1 | 69 | | X | | | | | |
| | TRIM Nos. 16G (Half cloth) | | 2825466CE | 1 | 69 | | X | | | | | |
| | TRIM Nos. 18H, 28H (Half cloth) | | 2825466CG | 1 | 69 | | X | | | | | |
| | TRIM Nos. 19G (Half cloth) | | 2825466CJ | 1 | 69 | | X | | | | | |
| | TRIM Nos. 21G (Half cloth) | | 2825466CX | 1 | 69 | | X | | | | | |
| | TRIM Nos. 30G (Half cloth) | | 2825466CY | 1 | 69 | | X | | | | | |
| | TRIM Nos. 30H (Half cloth) | | 2825466DH | 1 | 69 | | X | | | | | |
| | TRIM Nos. 34G (Half cloth) | | 2825466DB | 1 | 69 | | X | | | | | |
| | TRIM Nos. 35G (Half cloth) | | 2825466DC | 1 | 69 | | X | | | | | |
| | TRIM Nos. 36G (Half cloth) | | 2825466DE | 1 | 69 | | X | | | | | |
| | TRIM Nos. 38G (Half cloth) | | 2825466DF | 1 | 69 | | X | | | | | |
| | TRIM Nos. 39G (Half cloth) | | 2825466DG | 1 | 69 | | X | | | | | |
| | TRIM Nos. 10X | | 9930360BA | 1 | 69 | | X | | | | | |
| | TRIM Nos. 11X, 21X | | 9930360CA | 1 | 69 | | X | | | | | |
| | TRIM Nos. 14X, 24X | | 9930360CD | 1 | 69 | | X | | | | | |
| | TRIM Nos. 16X | | 9930360CE | 1 | 69 | | X | | | | | |
| | TRIM Nos. 18X | | 9930360CG | 1 | 69 | | X | | | | | |
| | TRIM Nos. 19X | | 9930360CJ | 1 | 69 | | X | | | | | |
| | TRIM Nos. 30X | | 9930360CY | 1 | 69 | | X | | | | | |
| | TRIM Nos. 34X | | 9930360DB | 1 | 69 | | X | | | | | |
| | TRIM Nos. 35X | | 9930360DC | 1 | 69 | | X | | | | | |
| | TRIM Nos. 36X | | 9930360DE | 1 | 69 | | X | | | | | |
| | TRIM Nos. 38X | | 9930360DF | 1 | 69 | | X | | | | | |

BODY

"HQ" PARTS CATALOGUE

| GROUP | DESCRIPTION | SIDE | PART No. | QTY. | BODY STYLE | 801 802 | 803 804 | 808 | 811 812 | 814 | 815 816 | 818 |
|---------------|--|------|-----------|------|------------|------------|------------|-----|------------|-----|------------|-----|
| 15.000 | COVER ASSY. - Rear seat back (contd.) | | | | | | | | | | | |
| | TRIM Nos. 39X | | 9930360DG | 1 | 69 | | X | | | | | |
| | TRIM Nos. 10Y | | 9928979BA | 1 | 69 | | X | | | | | |
| | TRIM Nos. 10Z | | 9928979CP | 1 | 69 | | X | | | | | |
| | TRIM Nos. 11Y, 21Y | | 9928979CA | 1 | 69 | | X | | | | | |
| | TRIM Nos. 14Y, 24Y | | 9928979CD | 1 | 69 | | X | | | | | |
| | TRIM Nos. 16Y | | 9928979CE | 1 | 69 | | X | | | | | |
| | TRIM Nos. 18Y | | 9928979CG | 1 | 69 | | X | | | | | |
| | TRIM Nos. 19Y | | 9928979CJ | 1 | 69 | | X | | | | | |
| | TRIM Nos. 30Y | | 9928979CY | 1 | 69 | | X | | | | | |
| | TRIM Nos. 34Y | | 9928979DB | 1 | 69 | | X | | | | | |
| | TRIM Nos. 35Y | | 9928979DC | 1 | 69 | | X | | | | | |
| | TRIM Nos. 36Y | | 9928979DE | 1 | 69 | | X | | | | | |
| | TRIM Nos. 38Y | | 9928979DF | 1 | 69 | | X | | | | | |
| | TRIM Nos. 39Y | | 9928979DG | 1 | 69 | | X | | | | | |
| | TRIM Nos. 81A, 81D | | 9932184CA | 1 | 69 | | X | | | | | |
| | TRIM Nos. 81B | | 9932184CK | 1 | 69 | | X | | | | | |
| | TRIM Nos. 82A | | 9932184CB | 1 | 69 | | X | | | | | |
| | TRIM Nos. 82B | | 9932184CL | 1 | 69 | | X | | | | | |
| | TRIM Nos. 84A | | 9932184CD | 1 | 69 | | X | | | | | |
| | TRIM Nos. 84B | | 9932184CS | 1 | 69 | | X | | | | | |
| | TRIM Nos. 86A | | 9932184CE | 1 | 69 | | X | | | | | |
| | TRIM Nos. 88A | | 9932184CG | 1 | 69 | | X | | | | | |
| | TRIM Nos. 89A | | 9932184CJ | 1 | 69 | | X | | | | | |
| | TRIM Nos. 89B | | 9932184CM | 1 | 69 | | X | | | | | |
| | TRIM Nos. 10R | | 2819362BA | 1 | 69 | | | | X | | | |
| | TRIM Nos. 11R, 21R | | 2819362CA | 1 | 69 | | | | X | | | |
| | TRIM Nos. 12R, 22R | | 2819362CB | 1 | 69 | | | | X | | | |
| | TRIM Nos. 14R, 24R | | 2819362CD | 1 | 69 | | | | X | | | |
| | TRIM Nos. 16R | | 2819362CE | 1 | 69 | | | | X | | | |
| | TRIM Nos. 18R, 28R | | 2819362CG | 1 | 69 | | | | X | | | |
| | TRIM Nos. 19R | | 2819362CJ | 1 | 69 | | | | X | | | |
| | TRIM Nos. 30R | | 2819362CY | 1 | 69 | | | | X | | | |
| | TRIM Nos. 32R | | 2819362DA | 1 | 69 | | | | X | | | |
| | TRIM Nos. 34R | | 2819362DB | 1 | 69 | | | | X | | | |
| | TRIM Nos. 35R | | 2819362DC | 1 | 69 | | | | X | | | |
| | TRIM Nos. 36R | | 2819362DE | 1 | 69 | | | | X | | | |
| | TRIM Nos. 38R | | 2819362DF | 1 | 69 | | | | X | | | |
| | TRIM Nos. 39R | | 2819362DG | 1 | 69 | | | | X | | | |
| | TRIM Nos. 10T | | 2819364BA | 1 | 69 | | | | X | | | |
| | TRIM Nos. 10U | | 2819364CN | 1 | 69 | | | | X | | | |
| | TRIM Nos. 11T | | 2819364CA | 1 | 69 | | | | X | | | |
| | TRIM Nos. 16T | | 2819364CE | 1 | 69 | | | | X | | | |
| | TRIM Nos. 18U, 28U | | 2819364CG | 1 | 69 | | | | X | | | |
| | TRIM Nos. 19T | | 2819364CJ | 1 | 69 | | | | X | | | |
| | TRIM Nos. 21T | | 2819364CX | 1 | 69 | | | | X | | | |
| | TRIM Nos. 30T | | 2819364CY | 1 | 69 | | | | X | | | |
| | TRIM Nos. 34T | | 2819364DB | 1 | 69 | | | | X | | | |
| | TRIM Nos. 36T | | 2819364DE | 1 | 69 | | | | X | | | |
| | TRIM Nos. 38T | | 2819364DF | 1 | 69 | | | | X | | | |
| | TRIM Nos. 39T | | 2819364DG | 1 | 69 | | | | X | | | |
| | TRIM Nos. 10R | | 2819934BA | 1 | 69 | | | | | | X | |
| | TRIM Nos. 11R, 21R | | 2819934CA | 1 | 69 | | | | | | X | |
| | TRIM Nos. 12R, 22R | | 2819934CB | 1 | 69 | | | | | | X | |
| | TRIM Nos. 14R, 24R | | 2819934CD | 1 | 69 | | | | | | X | |
| | TRIM Nos. 16R | | 2819934CE | 1 | 69 | | | | | | X | |
| | TRIM Nos. 18R, 28R | | 2819934CG | 1 | 69 | | | | | | X | |
| | TRIM Nos. 19R | | 2819934CJ | 1 | 69 | | | | | | X | |
| | TRIM Nos. 30R | | 2819934CY | 1 | 69 | | | | | | X | |
| | TRIM Nos. 32R | | 2819934DA | 1 | 69 | | | | | | X | |
| | TRIM Nos. 34R | | 2819934DB | 1 | 69 | | | | | | X | |
| | TRIM Nos. 35R | | 2819934DC | 1 | 69 | | | | | | X | |
| | TRIM Nos. 36R | | 2819934DE | 1 | 69 | | | | | | X | |
| | TRIM Nos. 38R | | 2819934DF | 1 | 69 | | | | | | X | |
| | TRIM Nos. 39R | | 2819934DG | 1 | 69 | | | | | | X | |

"HQ" PARTS CATALOGUE

| GROUP | DESCRIPTION | SIDE | PART No. | QTY. | BODY STYLE | 801 | 803 | 808 | 811 | 814 | 815 | 818 |
|---|--------------------------|------|-----------|------|------------|-----|-----|-----|-----|-----|-----|-----|
| | | | | | | 802 | 804 | | 812 | | 816 | |
| 15.000 COVER ASSY. — Rear seat back (contd.) | | | | | | | | | | | | |
| | TRIM Nos. 10T | | 2819935BA | 1 | 69 | | | | | | | X |
| | TRIM Nos. 10U | | 2819935CN | 1 | 69 | | | | | | | X |
| | TRIM Nos. 11T, 21T | | 2819935CX | 1 | 69 | | | | | | | X |
| | TRIM Nos. 16T | | 2819935CE | 1 | 69 | | | | | | | X |
| | TRIM Nos. 18U, 28U | | 2819935CG | 1 | 69 | | | | | | | X |
| | TRIM Nos. 19T | | 2819935CZ | 1 | 69 | | | | | | | X |
| | TRIM Nos. 30T | | 2819935CY | 1 | 69 | | | | | | | X |
| | TRIM Nos. 34T | | 2819935DB | 1 | 69 | | | | | | | X |
| | TRIM Nos. 36T | | 2819935DE | 1 | 69 | | | | | | | X |
| | TRIM Nos. 38T | | 2819935DF | 1 | 69 | | | | | | | X |
| | TRIM Nos. 39T | | 2819935DG | 1 | 69 | | | | | | | X |
| | TRIM Nos. 10M | | 2819952BA | 1 | 69 | | | | | | X | |
| | TRIM Nos. 11M, 21M | | 2819952CA | 1 | 69 | | | | | | X | |
| | TRIM Nos. 14M | | 2819952CD | 1 | 69 | | | | | | X | |
| | TRIM Nos. 18M | | 2819952CG | 1 | 69 | | | | | | X | |
| | TRIM Nos. 19M | | 2819952CJ | 1 | 69 | | | | | | X | |
| | TRIM Nos. 28M | | 2819952CH | 1 | 69 | | | | | | X | |
| | TRIM Nos. 30M | | 2819952CY | 1 | 69 | | | | | | X | |
| | TRIM Nos. 34M | | 2819952DB | 1 | 69 | | | | | | X | |
| | TRIM Nos. 35M | | 2819952DC | 1 | 69 | | | | | | X | |
| | TRIM Nos. 38M | | 2819952DF | 1 | 69 | | | | | | X | |
| | TRIM Nos. 39M | | 2819952DG | 1 | 69 | | | | | | X | |
| | TRIM Nos. 10N | | 2819951BA | 1 | 69 | | | | | | X | |
| | TRIM Nos. 11N, 21N | | 2819951CA | 1 | 69 | | | | | | X | |
| | TRIM Nos. 18N | | 2819951CG | 1 | 69 | | | | | | X | |
| | TRIM Nos. 19N | | 2819951CJ | 1 | 69 | | | | | | X | |
| | TRIM Nos. 30N | | 2819951CY | 1 | 69 | | | | | | X | |
| | TRIM Nos. 34N | | 2819951DB | 1 | 69 | | | | | | X | |
| | TRIM Nos. 35N | | 2819951DC | 1 | 69 | | | | | | X | |
| | TRIM Nos. 38N | | 2819951DF | 1 | 69 | | | | | | X | |
| | TRIM Nos. 39N | | 2819951DG | 1 | 69 | | | | | | X | |
| 15.001 COVER ASSY. — Rear seat back arm rest | | | | | | | | | | | | |
| | TRIM Nos. 10R | | 2819993BA | 1 | 35 | | | | | | X | |
| | TRIM Nos. 11R, 21R | | 2819993CA | 1 | 35 | | | | | | X | |
| | TRIM Nos. 12R, 22R | | 2819993CB | 1 | 35 | | | | | | X | |
| | TRIM Nos. 14R, 24R | | 2819993CD | 1 | 35 | | | | | | X | |
| | TRIM Nos. 16R | | 2819993CE | 1 | 35 | | | | | | X | |
| | TRIM Nos. 18R, 28R | | 2819993CG | 1 | 35 | | | | | | X | |
| | TRIM Nos. 19R | | 2819993CJ | 1 | 35 | | | | | | X | |
| | TRIM Nos. 30R | | 2819993CY | 1 | 35 | | | | | | X | |
| | TRIM Nos. 32R | | 2819993DA | 1 | 35 | | | | | | X | |
| | TRIM Nos. 34R | | 2819993DB | 1 | 35 | | | | | | X | |
| | TRIM Nos. 35R | | 2819993DC | 1 | 35 | | | | | | X | |
| | TRIM Nos. 36R | | 2819993DE | 1 | 35 | | | | | | X | |
| | TRIM Nos. 38R | | 2819993DF | 1 | 35 | | | | | | X | |
| | TRIM Nos. 39R | | 2819993DG | 1 | 35 | | | | | | X | |
| | TRIM Nos. 10T | | 2819994BA | 1 | 35 | | | | | | X | |
| | TRIM Nos. 10U | | 2819994CN | 1 | 35 | | | | | | X | |
| | TRIM Nos. 11T | | 2819994CA | 1 | 35 | | | | | | X | |
| | TRIM Nos. 16T | | 2819994CE | 1 | 35 | | | | | | X | |
| | TRIM Nos. 18U, 28U | | 2819994CG | 1 | 35 | | | | | | X | |
| | TRIM Nos. 19T | | 2819994CJ | 1 | 35 | | | | | | X | |
| | TRIM Nos. 21T | | 2819994CX | 1 | 35 | | | | | | X | |
| | TRIM Nos. 30T | | 2819994CY | 1 | 35 | | | | | | X | |
| | TRIM Nos. 34T | | 2819994DB | 1 | 35 | | | | | | X | |
| | TRIM Nos. 36T | | 2819994DE | 1 | 35 | | | | | | X | |
| | TRIM Nos. 38T | | 2819994DF | 1 | 35 | | | | | | X | |
| | TRIM Nos. 39T | | 2819994DG | 1 | 35 | | | | | | X | |
| | TRIM Nos. 10R | | 2819784BA | 1 | 69 | | | | | | X | X |
| | TRIM Nos. 11R, 21R | | 2819784CA | 1 | 69 | | | | | | X | X |
| | TRIM Nos. 12R, 22R | | 2819784CB | 1 | 69 | | | | | | X | X |
| | TRIM Nos. 14R, 24R | | 2819784CD | 1 | 69 | | | | | | X | X |

BODY

"HQ" PARTS CATALOGUE

| GROUP | DESCRIPTION | SIDE | PART No. | QTY. | BODY STYLE | 801 802 | 803 804 | 808 | 811 812 | 814 | 815 816 | 818 |
|--|--|------|-----------|------|------------|------------|------------|-----|------------|-----|------------|-----|
| 15.001 COVER ASSY. — Rear seat back arm rest (contd.) | | | | | | | | | | | | |
| | TRIM Nos. 16R | | 2819784CE | 1 | 69 | | | | X | | X | |
| | TRIM Nos. 18R, 28R | | 2819784CG | 1 | 69 | | | | X | | X | |
| | TRIM Nos. 19R | | 2819784CJ | 1 | 69 | | | | X | | X | |
| | TRIM Nos. 30R | | 2819784CY | 1 | 69 | | | | X | | X | |
| | TRIM Nos. 32R | | 2819784DA | 1 | 69 | | | | X | | X | |
| | TRIM Nos. 34R | | 2819784DB | 1 | 69 | | | | X | | X | |
| | TRIM Nos. 35R | | 2819784DC | 1 | 69 | | | | X | | X | |
| | TRIM Nos. 36R | | 2819784DE | 1 | 69 | | | | X | | X | |
| | TRIM Nos. 38R | | 2819784DF | 1 | 69 | | | | X | | X | |
| | TRIM Nos. 39R | | 2819784DG | 1 | 69 | | | | X | | X | |
| | TRIM Nos. 10T | | 2819785BA | 1 | 69 | | | | X | | X | |
| | TRIM Nos. 10U | | 2819785CN | 1 | 69 | | | | X | | X | |
| | TRIM Nos. 11T, 21T | | 2819785CX | 1 | 69 | | | | X | | X | |
| | TRIM Nos. 16T | | 2819785CE | 1 | 69 | | | | X | | X | |
| | TRIM Nos. 18U, 28U | | 2819785CG | 1 | 69 | | | | X | | X | |
| | TRIM Nos. 19T | | 2819785CJ | 1 | 69 | | | | X | | X | |
| | TRIM Nos. 30T | | 2819785CY | 1 | 69 | | | | X | | X | |
| | TRIM Nos. 34T | | 2819785DB | 1 | 69 | | | | X | | X | |
| | TRIM Nos. 36T | | 2819785DE | 1 | 69 | | | | X | | X | |
| | TRIM Nos. 38T | | 2819785DF | 1 | 69 | | | | X | | X | |
| | TRIM Nos. 39T | | 2819785DG | 1 | 69 | | | | X | | X | |
| | TRIM Nos. 10M | | 2819205BA | 1 | 69 | | | | | X | | |
| | TRIM Nos. 11M, 21M | | 2819205CA | 1 | 69 | | | | | X | | |
| | TRIM Nos. 14M | | 2819205CD | 1 | 69 | | | | | X | | |
| | TRIM Nos. 18M | | 2819205CG | 1 | 69 | | | | | X | | |
| | TRIM Nos. 19M | | 2819205CJ | 1 | 69 | | | | | X | | |
| | TRIM Nos. 28M | | 2819205CH | 1 | 69 | | | | | X | | |
| | TRIM Nos. 30M | | 2819205CY | 1 | 69 | | | | | X | | |
| | TRIM Nos. 34M | | 2819205DB | 1 | 69 | | | | | X | | |
| | TRIM Nos. 35M | | 2819205DC | 1 | 69 | | | | | X | | |
| | TRIM Nos. 38M | | 2819205DF | 1 | 69 | | | | | X | | |
| | TRIM Nos. 39M | | 2819205DG | 1 | 69 | | | | | X | | |
| | TRIM Nos. 10N | | 2819204BA | 1 | 69 | | | | | X | | |
| | TRIM Nos. 11N, 21N | | 2819204CA | 1 | 69 | | | | | X | | |
| | TRIM Nos. 18N, 28N | | 2819204CG | 1 | 69 | | | | | X | | |
| | TRIM Nos. 19N | | 2819204CJ | 1 | 69 | | | | | X | | |
| | TRIM Nos. 30N | | 2819204CY | 1 | 69 | | | | | X | | |
| | TRIM Nos. 34N | | 2819204DB | 1 | 69 | | | | | X | | |
| | TRIM Nos. 35N | | 2819204DC | 1 | 69 | | | | | X | | |
| | TRIM Nos. 38N | | 2819204DF | 1 | 69 | | | | | X | | |
| | TRIM Nos. 39N | | 2819204DG | 1 | 69 | | | | | X | | |
| 15.001 TRIM — Rear seat back arm rest lower | | | | | | | | | | | | |
| | TRIM Nos. 10M, 10N, 10R, 10T, 10U | | D456BA | 1 | 35, 69 | | | | X | X | X | |
| | TRIM Nos. 11M, 11N, 11R, 11T, 21M, 21N, 21R, 21T | | D456CA | 1 | 35, 69 | | | | X | X | X | |
| | TRIM Nos. 12R, 22R | | D456CB | 1 | 35, 69 | | | | X | | X | |
| | TRIM Nos. 14M, 14R, 24R | | D456CD | 1 | 35, 69 | | | | X | | X | |
| | TRIM Nos. 16R, 16T | | D456CE | 1 | 35, 69 | | | | X | | X | |
| | TRIM Nos. 18M, 18N, 18R, 18U, 28M, 28N, 28R, 28U | | D456CG | 1 | 35, 69 | | | | X | X | X | |
| | TRIM Nos. 19M, 19N, 19R, 19T | | D456CJ | 1 | 35, 69 | | | | X | X | X | |
| | TRIM Nos. 30M, 30N, 30R, 30T | | D456CY | 1 | 35, 69 | | | | X | X | X | |
| | TRIM Nos. 32R | | D456DA | 1 | 35, 69 | | | | X | X | X | |
| | TRIM Nos. 34M, 34N, 34R, 34T | | D456DB | 1 | 35, 69 | | | | X | X | X | |
| | TRIM Nos. 35M, 35N, 35R | | D456DC | 1 | 35, 69 | | | | X | X | X | |
| | TRIM Nos. 36R, 36T | | D456DE | 1 | 35, 69 | | | | X | X | X | |
| | TRIM Nos. 38M, 38N, 38R, 38T | | D456DF | 1 | 35, 69 | | | | X | X | X | |
| | TRIM Nos. 39M, 39N, 39R, 39T | | D456DG | 1 | 35, 69 | | | | X | X | X | |

"HQ" PARTS CATALOGUE

| GROUP | DESCRIPTION | SIDE | PART No. | QTY. | BODY STYLE | 801 802 | 803 804 | 808 | 811 812 | 814 | 815 816 | 818 |
|---------------|--|------|-----------|------|------------|------------|------------|-----|------------|-----|------------|-----|
| 15.002 | PAD, SPACER – Rear seat back & arm rest | | | | | | | | | | | |
| | PAD ASSY. – Rear seat back | | 2817553 | 1 | 35 | X | X | | | | | |
| | PAD ASSY. – Rear seat back | | 2818520 | 1 | 35 | | | | X | | | |
| | PAD ASSY. – Rear seat back | | 2819368 | 1 | 37 | | X | | | | | |
| | PAD ASSY. – Rear seat back | | 2819809 | 1 | 37 | | | X | | | | X |
| | PAD ASSY. – Rear seat back | | 2819639 | 1 | 37 | | | | X | | | |
| | PAD ASSY. – Rear seat back, exc. SS, 4 door GTS | | 2817506 | 1 | 69 | X | X | | | | | |
| | PAD ASSY. – Rear seat back, SS, 4 door GTS | | 9928921 | 1 | 69 | X | X | | | | | |
| | PAD ASSY. – Rear seat back | | 2819238 | 1 | 69 | | | | X | | | |
| | PAD ASSY. – Rear seat back | | 2819563 | 1 | 69 | | | | | | X | |
| | PAD ASSY. – Rear seat back | | 2819877 | 1 | 69 | | | | | X | | |
| | PAD ASSY. – Centre arm rest lower | | 2819746 | 1 | 35 | | | | X | | | |
| | PAD ASSY. – Centre arm rest lower | | 2819642 | 1 | 69 | | | | X | X | X | |
| | PAD ASSY. – Centre arm rest upper | | 2819381 | 1 | 35, 69 | | | | X | X | X | |
| | SPACER ASSY. – Rear seat back top | | 2818981 | 1 | 35 | X | X | | X | | | |
| | SPACER ASSY. – Rear seat back top | | 2819384 | 2 | 37 | | X | X | X | | | X |
| | SPACER ASSY. – Rear seat back top | | 2819432 | 1 | 69 | X | X | | | | | |
| | SPACER ASSY. – Rear seat back top | | 2819434 | 1 | 69 | | | | X | | | |
| | SPACER ASSY. – Rear seat back top | | 2819433 | 1 | 69 | | | | | X | X | |
| 15.024 | PANEL – Package tray | | | | | | | | | | | |
| | TRIM Nos. 10A, 10B, 10C, 10E, 10G, 10H, 22A, 22B, 22E, 24A, 24B, 24E, 28E, 28H, 30A, 30B, 30E, 30G, 30H, 32A, 32B, 32E, 34A, 34B, 34E, 34G, 36E, 36G | | 2819890BA | 1 | 69 | X | X | | | | | |
| | TRIM Nos. 11A, 11B, 11E, 11G | | 2819890CA | 1 | 69 | X | X | | | | | |
| | TRIM Nos. 12A, 12B, 12E | | 2819890CB | 1 | 69 | X | X | | | | | |
| | TRIM Nos. 14A, 14B, 14E | | 2819890CD | 1 | 69 | X | X | | | | | |
| | TRIM Nos. 16E, 16G | | 2819890CE | 1 | 69 | X | X | | | | | |
| | TRIM Nos. 17A | | 2819890BK | 1 | 69 | X | X | | | | | |
| | TRIM Nos. 18E, 18H | | 2819890CH | 1 | 69 | X | X | | | | | |
| | TRIM Nos. 19A, 19B, 19E, 19G, 21A, 21B, 21E, 21G | | 2819890CJ | 1 | 69 | X | X | | | | | |
| | TRIM Nos. 19C | | 2819890BL | 1 | 69 | X | X | | | | | |
| | TRIM Nos. 35A, 35B, 35E, 35G | | 2819890DD | 1 | 69 | X | X | | | | | |
| | TRIM Nos. 38E, 38G, 39A, 39B, 39E, 39G | | 2819890DG | 1 | 69 | X | X | | | | | |
| 15.024 | TRIM ASSEMBLY – Package tray | | | | | | | | | | | |
| | TRIM Nos. 10E, 10R, 10S, 10X, 10Y, 10Z, 18X, 18Y 22E, 22R, 24E, 24R, 24X, 24Y, 28E, 28H, 28R, 30E, 30G, 30H, 32E, 34E, 34G, 36E, 36G | | 2819442BA | 1 | 37 | | X | X | X | | | X |
| | TRIM Nos. 11E, 11R, 11S, 11X, 11Y | | 2819442CA | 1 | 37 | | X | X | X | | | X |
| | TRIM Nos. 12E, 12R | | 2819442CB | 1 | 37 | | X | X | X | | | X |
| | TRIM Nos. 14E, 14R, 14X, 14Y | | 2819442CD | 1 | 37 | | X | X | X | | | X |
| | TRIM Nos. 16R, 16X, 16Y | | 2819442CE | 1 | 37 | | X | X | X | | | X |
| | TRIM Nos. 18E, 18R, 18S | | 2819442CH | 1 | 37 | | X | X | X | | | X |
| | TRIM Nos. 19E, 19R, 19S, 19X, 19Y, 21E, 21R, 21S, 21X, 21Y | | 2819442CJ | 1 | 37 | | X | X | X | | | X |
| | TRIM Nos. 30R, 30T, 30X, 30Y, 32R, 34R, 34T, 34X, 34Y, 35X, 35Y, 36R, 36T, 36X, 36Y | | 2819442CY | 1 | 37 | | X | X | X | | | X |
| | TRIM Nos. 35E, 35G, 35R | | 2819442DD | 1 | 37 | | X | X | X | | | X |
| | TRIM Nos. 38E, 38G, 38R, 38T, 38X, 38Y, 39E, 39G, 39R, 39T, 39X, 39Y | | 2819442DG | 1 | 37 | | X | X | X | | | X |
| | TRIM Nos. 10X, 10Y, 10Z, 18X, 18Y, 24X, 24Y | | 2819443BA | 1 | 69 | | X | | | | | |
| | TRIM Nos. 11X, 11Y | | 2819443CA | 1 | 69 | | X | | | | | |
| | TRIM Nos. 14X, 14Y | | 2819443CD | 1 | 69 | | X | | | | | |
| | TRIM Nos. 16X, 16Y | | 2819443CE | 1 | 69 | | X | | | | | |
| | TRIM Nos. 19X, 19Y, 21X, 21Y | | 2819443CJ | 1 | 69 | | X | | | | | |
| | TRIM Nos. 30X, 30Y, 34X, 34Y, 35X, 35Y, 36X, 36Y | | 2819443CY | 1 | 69 | | X | | | | | |
| | TRIM Nos. 38X, 38Y, 39X, 39Y | | 2819443DG | 1 | 69 | | X | | | | | |
| | TRIM Nos. 10R, 10T, 10U, 22R, 24R, 28R, 28U | | 2819443BA | 1 | 69 | | | | X | | | |
| | TRIM Nos. 11R, 11T | | 2819443CA | 1 | 69 | | | | X | | | |
| | TRIM Nos. 12R | | 2819443CB | 1 | 69 | | | | X | | | |
| | TRIM Nos. 14R | | 2819443CD | 1 | 69 | | | | X | | | |
| | TRIM Nos. 16R, 16T | | 2819443CE | 1 | 69 | | | | X | | | |
| | TRIM Nos. 18R, 18U | | 2819443CH | 1 | 69 | | | | X | | | |

BODY

"HQ" PARTS CATALOGUE

| GROUP | DESCRIPTION | SIDE | PART No. | QTY. | BODY STYLE | 801 802 | 803 804 | 808 | 811 812 | 814 | 815 816 | 818 |
|---|---|------|-----------|------|------------|------------|------------|-----|------------|-----|------------|-----|
| 15.024 TRIM ASSEMBLY – Package tray (contd.) | | | | | | | | | | | | |
| | TRIM Nos. 19R, 19T, 21R, 21T | | 2819443CJ | 1 | 69 | | | | X | | | |
| | TRIM Nos. 30R, 30T, 32R, 34R, 34T, 36R, 36T | | 2819443CY | 1 | 69 | | | | X | | | |
| | TRIM Nos. 35R | | 2819443DD | 1 | 69 | | | | X | | | |
| | TRIM Nos. 38R, 38T, 39R, 35T | | 2819443DG | 1 | 69 | | | | X | | | |
| | TRIM Nos. 10M, 10N, 10R, 10T, 10U, 14M, 22A, 24R, 28M, 28N, 28R, 28U | | 2819441BA | 1 | 69 | | | | | X | X | |
| | TRIM Nos. 11M, 11N, 11R, 11T | | 2819441CA | 1 | 69 | | | | | X | X | |
| | TRIM Nos. 12R | | 2819441CB | 1 | 69 | | | | | X | X | |
| | TRIM Nos. 14R | | 2819441CD | 1 | 69 | | | | | X | X | |
| | TRIM Nos. 16R, 16T | | 2819441CE | 1 | 69 | | | | | X | X | |
| | TRIM Nos. 18M, 18N, 18R, 18U | | 2819441CH | 1 | 69 | | | | | X | X | |
| | TRIM Nos. 19M, 19N, 19R, 19T, 21M, 21N, 21R, 21T | | 2819441CJ | 1 | 69 | | | | | X | X | |
| | TRIM Nos. 30M, 30N, 30R, 30T, 32R, 34M, 34N, 34R, 34T, 36R, 36T | | 2819441CY | 1 | 69 | | | | | X | X | |
| | TRIM Nos. 35M, 35N, 35R | | 2819441DD | 1 | 69 | | | | | X | X | |
| | TRIM Nos. 38M, 38N, 38R, 38T, 39M, 39N, 39R, 39T | | 2819441DG | 1 | 69 | | | | | X | X | |
| 15.024 FASTENER – Package tray trim | | | | | | | | | | | | |
| | TRIM Nos. 10A, 10B, 10C, 10E, 10G, 10H, 10M, 10N, 10R, 10S, 10T, 10U, 10X, 10Y, 10Z, 14M, 18X, 18Y, 22A, 22B, 22E, 22R, 24A, 24B, 24E, 24R, 24X, 24Y, 28E, 28H, 28M, 28N, 28R, 28S, 28U, 30A, 30B, 30E, 30G, 30H, 30M, 30N, 30R, 30T, 30X, 30Y, 32A, 32B, 32E, 32R, 34A, 34B, 34E, 34G, 34M, 34N, 34R, 34T, 34X, 34Y, 35X, 35Y, 36E, 36G, 36R, 36T, 36K, 36Y | | SP1838BA | 4 | 37, 69 | X | X | X | X | X | X | X |
| | TRIM Nos. 11A, 11B, 11E, 11G, 11M, 11N, 11R, 11T, 11X, 11Y | | SP1838CA | 4 | 37, 69 | X | X | X | X | X | X | X |
| | TRIM Nos. 12A, 12B, 12E, 12R | | SP1838CB | 4 | 37, 69 | X | X | X | X | X | X | X |
| | TRIM Nos. 14A, 14B, 14E, 14R, 14X, 14Y | | SP1838CD | 4 | 37, 69 | X | X | X | X | X | X | X |
| | TRIM Nos. 16E, 16G, 16R, 16T, 16X, 16Y | | SP1838CE | 4 | 37, 69 | X | X | X | X | X | X | X |
| | TRIM Nos. 17A | | SP1838BK | 4 | 37, 69 | X | X | X | X | X | X | X |
| | TRIM Nos. 18E, 18H, 18M, 18N, 18R, 18U | | SP1838CH | 4 | 37, 69 | X | X | X | X | X | X | X |
| | TRIM Nos. 19A, 19B, 19E, 19G, 19M, 19N, 19R, 19T, 19X, 19Y, 21A, 21B, 21E, 21G, 21M, 21N, 21S, 21T, 21X, 21Y | | SP1838CJ | 4 | 37, 69 | X | X | X | X | X | X | X |
| | TRIM Nos. 19C | | SP1838BL | 4 | 37, 69 | X | X | X | X | X | X | X |
| | TRIM Nos. 35A, 35B, 35E, 35G, 35M, 35N, 35R | | SP1838DD | 4 | 37, 69 | X | X | X | X | X | X | X |
| | TRIM Nos. 38E, 38G, 38M, 38N, 38R, 38T, 38X 38Y, 39A, 39B, 39E, 39G, 39M, 39N, 39R, 39T 39X, 39Y | | SP1838DG | 4 | 37, 69 | X | X | X | X | X | X | X |
| 15.024 TRIM ASSY. – Rear window to seat (Bench Seat) | | | | | | | | | | | | |
| | TRIM Nos. 10A, 10E | | 2820609BA | 1 | 60, 80 | X | X | | | | | |
| | TRIM Nos. 11A, 21A | | 2820609CK | 1 | 60, 80 | X | X | | | | | |
| | TRIM Nos. 11E, 21E | | 2820609CA | 1 | 60, 80 | X | X | | | | | |
| | TRIM Nos. 12A, 22A | | 2820609CL | 1 | 60, 80 | X | X | | | | | |
| | TRIM Nos. 12E, 22E | | 2820609CB | 1 | 60, 80 | X | X | | | | | |
| | TRIM Nos. 14A, 24A | | 2820609CS | 1 | 60, 80 | X | X | | | | | |
| | TRIM Nos. 14E, 24E | | 2820609CD | 1 | 60, 80 | X | X | | | | | |
| | TRIM Nos. 16E | | 2820609CE | 1 | 60, 80 | X | X | | | | | |
| | TRIM Nos. 17A | | 2820609BK | 1 | 60, 80 | X | X | | | | | |
| | TRIM Nos. 18E, 28E | | 2820609CG | 1 | 60, 80 | X | X | | | | | |
| | TRIM Nos. 19A | | 2820609CM | 1 | 60, 80 | X | X | | | | | |
| | TRIM Nos. 19C | | 2820609BL | 1 | 60, 80 | X | X | | | | | |
| | TRIM Nos. 19E | | 2820609CJ | 1 | 60, 80 | X | X | | | | | |
| | TRIM Nos. 30A, 30E | | 2820609CY | 1 | 60, 80 | X | X | | | | | |
| | TRIM Nos. 32A | | 2820609DJ | 1 | 60, 80 | X | X | | | | | |
| | TRIM Nos. 32E | | 2820609DA | 1 | 60, 80 | X | X | | | | | |
| | TRIM Nos. 34A | | 2820609DK | 1 | 60, 80 | X | X | | | | | |
| | TRIM Nos. 34E | | 2820609DB | 1 | 60, 80 | X | X | | | | | |
| | TRIM Nos. 35A | | 2820609DL | 1 | 60, 80 | X | X | | | | | |
| | TRIM Nos. 35E | | 2820609DC | 1 | 60, 80 | X | X | | | | | |

"HQ" PARTS CATALOGUE

| GROUP | DESCRIPTION | SIDE | PART No. | QTY. | BODY STYLE | 801 802 | 803 804 | 808 | 811 812 | 814 | 815 816 | 818 |
|--|--|------|-----------|------|------------|------------|------------|-----|------------|-----|------------|-----|
| 15.024 TRIM ASSY. — Rear window to seat (Bench Seat) (contd.) | | | | | | | | | | | | |
| | TRIM Nos. 36E | | 2820609DE | 1 | 60, 80 | X | X | | | | | |
| | TRIM Nos. 38E | | 2820609DF | 1 | 60, 80 | X | X | | | | | |
| | TRIM Nos. 39A | | 2820609DM | 1 | 60, 80 | X | X | | | | | |
| | TRIM Nos. 39E | | 2820609DG | 1 | 60, 80 | X | X | | | | | |
| | RETAINER | | 2822281 | 1 | 60, 80 | X | X | | | | | |
| 15.024 FASTENER — Rear window to seat trim (Bench Seat) | | | | | | | | | | | | |
| | TRIM Nos. 10A, 10E, 30A, 30E | | SP1838BA | 6 | 60, 80 | X | X | | | | | |
| | TRIM Nos. 11A, 11E, 21A, 21E | | SP1838CA | 6 | 60, 80 | X | X | | | | | |
| | TRIM Nos. 12A, 12E, 22A, 22E | | SP1838CB | 6 | 60, 80 | X | X | | | | | |
| | TRIM Nos. 14A, 14E, 24A, 24E | | SP1838CD | 6 | 60, 80 | X | X | | | | | |
| | TRIM Nos. 16E | | SP1838CE | 6 | 60, 80 | X | X | | | | | |
| | TRIM Nos. 17A | | SP1838BK | 6 | 60, 80 | X | X | | | | | |
| | TRIM Nos. 18E, 28E | | SP1838CG | 6 | 60, 80 | X | X | | | | | |
| | TRIM Nos. 19A, 19E, 19G | | SP1838CJ | 6 | 60, 80 | X | X | | | | | |
| | TRIM Nos. 19C | | SP1838BL | 6 | 60, 80 | X | X | | | | | |
| | TRIM Nos. 32A, 32E | | SP1838DA | 6 | 60, 80 | X | X | | | | | |
| | TRIM Nos. 34A, 34E | | SP1838DB | 6 | 60, 80 | X | X | | | | | |
| | TRIM Nos. 35A, 35E | | SP1838DC | 6 | 60, 80 | X | X | | | | | |
| | TRIM Nos. 36E | | SP1838DE | 6 | 60, 80 | X | X | | | | | |
| | TRIM Nos. 38E | | SP1838DF | 6 | 60, 80 | X | X | | | | | |
| | TRIM Nos. 39A, 39B | | SP1838DG | 6 | 60, 80 | X | X | | | | | |
| 15.025 TRIM ASSY. — Seat back panel (Bucket Seat) | | | | | | | | | | | | |
| | TRIM Nos. 10B, 10E | | 2822351BA | 1 | 60, 80 | X | X | | | | | |
| | TRIM Nos. 11B, 11E, 21B, 21E | | 2822351CA | 1 | 60, 80 | X | X | | | | | |
| | TRIM Nos. 12B, 12E, 22B, 22E | | 2822351CB | 1 | 60, 80 | X | X | | | | | |
| | TRIM Nos. 14B, 14E, 24B, 24E | | 2822351CD | 1 | 60, 80 | X | X | | | | | |
| | TRIM Nos. 16E | | 2822351CE | 1 | 60, 80 | X | X | | | | | |
| | TRIM Nos. 18E, 28E | | 2822351CG | 1 | 60, 80 | X | X | | | | | |
| | TRIM Nos. 19B, 19E | | 2822351CJ | 1 | 60, 80 | X | X | | | | | |
| | TRIM Nos. 30B, 30E | | 2822351CY | 1 | 60, 80 | X | X | | | | | |
| | TRIM Nos. 32B, 32E | | 2822351DA | 1 | 60, 80 | X | X | | | | | |
| | TRIM Nos. 34B, 34E | | 2822351DB | 1 | 60, 80 | X | X | | | | | |
| | TRIM Nos. 35B, 35E | | 2822351DC | 1 | 60, 80 | X | X | | | | | |
| | TRIM Nos. 36E | | 2822351DE | 1 | 60, 80 | X | X | | | | | |
| | TRIM Nos. 38E | | 2822351DF | 1 | 60, 80 | X | X | | | | | |
| | TRIM Nos. 39B, 39E | | 2822351DG | 1 | 60, 80 | X | X | | | | | |
| | RETAINER | | 2822642 | 1 | 60, 80 | X | X | | | | | |
| | SCREW | | SP1815 | 3 | 60, 80 | X | X | | | | | |
| 15.033 CUSHION ASSY. — Rear seat | | | | | | | | | | | | |
| | Current production Rear Seat Cushions Assys. will be supplied in current production trim, on a firm order basis. | | | | | | | | | | | |
| 15.035 COVER ASSY. — Rear seat cushion | | | | | | | | | | | | |
| | TRIM Nos. 10A | | 2818596BA | 1 | 35 | X | | | | | | |
| | TRIM Nos. 11A, 21A | | 2818596CK | 1 | 35 | X | | | | | | |
| | TRIM Nos. 12A, 22A | | 2818596CL | 1 | 35 | X | | | | | | |
| | TRIM Nos. 14A, 24A | | 2818596CS | 1 | 35 | X | | | | | | |
| | TRIM Nos. 17A | | 2818596BK | 1 | 35 | X | | | | | | |
| | TRIM Nos. 19A | | 2818596CM | 1 | 35 | X | | | | | | |
| | TRIM Nos. 19C | | 2818596BL | 1 | 35 | X | | | | | | |
| | TRIM Nos. 30A | | 2818596CY | 1 | 35 | X | | | | | | |
| | TRIM Nos. 32A | | 2818596DJ | 1 | 35 | X | | | | | | |
| | TRIM Nos. 34A | | 2818596DK | 1 | 35 | X | | | | | | |
| | TRIM Nos. 35A | | 2818596DL | 1 | 35 | X | | | | | | |
| | TRIM Nos. 39A | | 2818596DM | 1 | 35 | X | | | | | | |
| | TRIM Nos. 10B, 10E | | 2818597BA | 1 | 35 | X | X | | | | | |
| | TRIM Nos. 11B, 11E, 21B, 21E | | 2818597CA | 1 | 35 | X | X | | | | | |

BODY

"HQ" PARTS CATALOGUE

| GROUP | DESCRIPTION | SIDE | PART No. | QTY. | BODY STYLE | 801 802 | 803 804 | 808 | 811 812 | 814 | 815 816 | 818 |
|---------------|---|------|-----------|------|------------|------------|------------|-----|------------|-----|------------|-----|
| 15.035 | COVER ASSY. — Rear seat cushion (contd.) | | | | | | | | | | | |
| | TRIM Nos. 12B, 12E, 22B, 22E | | 2818597CB | 1 | 35 | X | X | | | | | |
| | TRIM Nos. 14B, 14E, 24B, 24E | | 2818597CD | 1 | 35 | X | X | | | | | |
| | TRIM Nos. 16E | | 2818597CE | 1 | 35 | | X | | | | | |
| | TRIM Nos. 18E, 28E | | 2818597CG | 1 | 35 | | X | | | | | |
| | TRIM Nos. 19B, 19E | | 2818597CJ | 1 | 35 | X | X | | | | | |
| | TRIM Nos. 30B, 30E | | 2818597CY | 1 | 35 | X | X | | | | | |
| | TRIM Nos. 32B, 32E | | 2818597DA | 1 | 35 | X | X | | | | | |
| | TRIM Nos. 34B, 34E | | 2818597DB | 1 | 35 | X | X | | | | | |
| | TRIM Nos. 35B, 35E | | 2818597DC | 1 | 35 | X | X | | | | | |
| | TRIM Nos. 36E | | 2818597DE | 1 | 35 | X | X | | | | | |
| | TRIM Nos. 38E | | 2818597DF | 1 | 35 | X | X | | | | | |
| | TRIM Nos. 39B, 39E | | 2818597DG | 1 | 35 | X | X | | | | | |
| | TRIM Nos. 10G | | 2818598BA | 1 | 35 | | X | | | | | |
| | TRIM Nos. 10H | | 2818598CN | 1 | 35 | | X | | | | | |
| | TRIM Nos. 11G | | 2818598CA | 1 | 35 | | X | | | | | |
| | TRIM Nos. 16G | | 2818598CE | 1 | 35 | | X | | | | | |
| | TRIM Nos. 18H, 28H | | 2818598CG | 1 | 35 | | X | | | | | |
| | TRIM Nos. 19G | | 2818598CJ | 1 | 35 | | X | | | | | |
| | TRIM Nos. 21G | | 2818598CX | 1 | 35 | | X | | | | | |
| | TRIM Nos. 30G | | 2818598CY | 1 | 35 | | X | | | | | |
| | TRIM Nos. 30H | | 2818598DH | 1 | 35 | | X | | | | | |
| | TRIM Nos. 34G | | 2818598DB | 1 | 35 | | X | | | | | |
| | TRIM Nos. 35G | | 2818598DC | 1 | 35 | | X | | | | | |
| | TRIM Nos. 36G | | 2818598DE | 1 | 35 | | X | | | | | |
| | TRIM Nos. 38G | | 2818598DF | 1 | 35 | | X | | | | | |
| | TRIM Nos. 39G | | 2818598DG | 1 | 35 | | X | | | | | |
| | TRIM Nos. 10R | | 2819359BA | 1 | 35 | | | | X | | | |
| | TRIM Nos. 11R, 21R | | 2819359CA | 1 | 35 | | | | X | | | |
| | TRIM Nos. 12R, 22R | | 2819359CB | 1 | 35 | | | | X | | | |
| | TRIM Nos. 14R, 24R | | 2819359CD | 1 | 35 | | | | X | | | |
| | TRIM Nos. 16R | | 2819359CE | 1 | 35 | | | | X | | | |
| | TRIM Nos. 18R, 28R | | 2819359CG | 1 | 35 | | | | X | | | |
| | TRIM Nos. 19R | | 2819359CJ | 1 | 35 | | | | X | | | |
| | TRIM Nos. 30R | | 2819359CY | 1 | 35 | | | | X | | | |
| | TRIM Nos. 32R | | 2819359DA | 1 | 35 | | | | X | | | |
| | TRIM Nos. 34R | | 2819359DB | 1 | 35 | | | | X | | | |
| | TRIM Nos. 35R | | 2819359DC | 1 | 35 | | | | X | | | |
| | TRIM Nos. 36R | | 2819359DE | 1 | 35 | | | | X | | | |
| | TRIM Nos. 38R | | 2819359DF | 1 | 35 | | | | X | | | |
| | TRIM Nos. 39R | | 2819359DG | 1 | 35 | | | | X | | | |
| | TRIM Nos. 10T | | 2819360BA | 1 | 35 | | | | X | | | |
| | TRIM Nos. 10U | | 2819360CN | 1 | 35 | | | | X | | | |
| | TRIM Nos. 11T | | 2819360CA | 1 | 35 | | | | X | | | |
| | TRIM Nos. 16T | | 2819360CE | 1 | 35 | | | | X | | | |
| | TRIM Nos. 18U, 28U | | 2819360CG | 1 | 35 | | | | X | | | |
| | TRIM Nos. 19T | | 2819360CZ | 1 | 35 | | | | X | | | |
| | TRIM Nos. 21T | | 2819360CX | 1 | 35 | | | | X | | | |
| | TRIM Nos. 30T | | 2819360CY | 1 | 35 | | | | X | | | |
| | TRIM Nos. 34T | | 2819360DB | 1 | 35 | | | | X | | | |
| | TRIM Nos. 36T | | 2819360DE | 1 | 35 | | | | X | | | |
| | TRIM Nos. 38T | | 2819360DF | 1 | 35 | | | | X | | | |
| | TRIM Nos. 39T | | 2819360DG | 1 | 35 | | | | X | | | |
| | TRIM Nos. 10E | | 2819906BA | 1 | 37 | | X | | | | | |
| | TRIM Nos. 11E, 21E | | 2819906CA | 1 | 37 | | X | | | | | |
| | TRIM Nos. 12E, 22E | | 2819906CB | 1 | 37 | | X | | | | | |
| | TRIM Nos. 14E, 24E | | 2819906CD | 1 | 37 | | X | | | | | |
| | TRIM Nos. 18E, 28E | | 2819906CG | 1 | 37 | | X | | | | | |
| | TRIM Nos. 19E | | 2819906CJ | 1 | 37 | | X | | | | | |
| | TRIM Nos. 30E | | 2819906CY | 1 | 37 | | X | | | | | |
| | TRIM Nos. 32E | | 2819906DA | 1 | 37 | | X | | | | | |
| | TRIM Nos. 34E | | 2819906DB | 1 | 37 | | X | | | | | |
| | TRIM Nos. 35E | | 2819906DC | 1 | 37 | | X | | | | | |
| | TRIM Nos. 36E | | 2819906DE | 1 | 37 | | X | | | | | |
| | TRIM Nos. 38E | | 2819906DF | 1 | 37 | | X | | | | | |

"HQ" PARTS CATALOGUE

| GROUP | DESCRIPTION | SIDE | PART No. | QTY. | BODY STYLE | 801 802 | 803 804 | 808 | 811 812 | 814 | 815 816 | 818 |
|---------------|---|------|---------------|------|------------|------------|------------|-----|------------|-----|------------|-----|
| 15.035 | COVER ASSY. — Rear seat cushion (contd.) | | | | | | | | | | | |
| | TRIM Nos. 39E | | 2819908DG | 1 | 37 | | X | | | | | |
| | TRIM Nos. 30G | | 9929143CY | 1 | 37 | | X | | | | | |
| | TRIM Nos. 30H | | 9929143DH | 1 | 37 | | X | | | | | |
| | TRIM Nos. 34G | | 9929143DB | 1 | 37 | | X | | | | | |
| | TRIM Nos. 35G | | 9929143DC | 1 | 37 | | X | | | | | |
| | TRIM Nos. 36G | | 9929143DE | 1 | 37 | | X | | | | | |
| | TRIM Nos. 38G | | 9929143DF | 1 | 37 | | X | | | | | |
| | TRIM Nos. 39G | | 9929143DG | 1 | 37 | | X | | | | | |
| | TRIM Nos. 10X | | 2819909BA | 1 | 37 | | | X | | | | X |
| | TRIM Nos. 11X, 21X | | 2819909CA | 1 | 37 | | | X | | | | X |
| | TRIM Nos. 14X, 24X | | 2819909CD | 1 | 37 | | | X | | | | X |
| | TRIM Nos. 16X | | 2819909CE | 1 | 37 | | | X | | | | X |
| | TRIM Nos. 18X | | 2819909CG | 1 | 37 | | | X | | | | X |
| | TRIM Nos. 19X | | 2819909CJ | 1 | 37 | | | X | | | | X |
| | TRIM Nos. 30X | | 2819909CY | 1 | 37 | | | X | | | | X |
| | TRIM Nos. 34X | | 2819909DB | 1 | 37 | | | X | | | | X |
| | TRIM Nos. 35X | | 2819909DC | 1 | 37 | | | X | | | | X |
| | TRIM Nos. 36X | | 2819909DE | 1 | 37 | | | X | | | | X |
| | TRIM Nos. 38X | | 2819909DF | 1 | 37 | | | X | | | | X |
| | TRIM Nos. 39X | | 2819909DG | 1 | 37 | | | X | | | | X |
| | TRIM Nos. 10Y | | 2819910BA | 1 | 37 | | | X | | | | X |
| | TRIM Nos. 10Z | | 2819910CP | 1 | 37 | | | X | | | | X |
| | TRIM Nos. 11Y, 21Y | | 2819910CA | 1 | 37 | | | X | | | | X |
| | TRIM Nos. 14Y, 24Y | | 2819910CD | 1 | 37 | | | X | | | | X |
| | TRIM Nos. 18Y | | 2819910CE | 1 | 37 | | | X | | | | X |
| | TRIM Nos. 18Y | | 2819910CG | 1 | 37 | | | X | | | | X |
| | TRIM Nos. 19Y | | 2819910CJ | 1 | 37 | | | X | | | | X |
| | TRIM Nos. 30Y | | 2819910CY | 1 | 37 | | | X | | | | X |
| | TRIM Nos. 34Y | | 2819910DB | 1 | 37 | | | X | | | | X |
| | TRIM Nos. 35Y | | 2819910DC | 1 | 37 | | | X | | | | X |
| | TRIM Nos. 36Y | | 2819910DE | 1 | 37 | | | X | | | | X |
| | TRIM Nos. 38Y | | 2819910DF | 1 | 37 | | | X | | | | X |
| | TRIM Nos. 39Y | | 2819910DG | 1 | 37 | | | X | | | | X |
| | TRIM Nos. 10R | | 2819907BA | 1 | 37 | | | | X | | | |
| | TRIM Nos. 11R, 21R | | 2819907CA | 1 | 37 | | | | X | | | |
| | TRIM Nos. 12R, 22R | | 2819907CB | 1 | 37 | | | | X | | | |
| | TRIM Nos. 14R, 24R | | 2819907CD | 1 | 37 | | | | X | | | |
| | TRIM Nos. 16R | | 2819907CE | 1 | 37 | | | | X | | | |
| | TRIM Nos. 18R, 28R | | 2819907CG | 1 | 37 | | | | X | | | |
| | TRIM Nos. 19R | | 2819907CJ | 1 | 37 | | | | X | | | |
| | TRIM Nos. 30R | | 2819907CY | 1 | 37 | | | | X | | | |
| | TRIM Nos. 32R | | 2819907DA | 1 | 37 | | | | X | | | |
| | TRIM Nos. 34R | | 2819907DB | 1 | 37 | | | | X | | | |
| | TRIM Nos. 35R | | 2819907DC | 1 | 37 | | | | X | | | |
| | TRIM Nos. 36R | | 2819907DE | 1 | 37 | | | | X | | | |
| | TRIM Nos. 38R | | 2819907DF | 1 | 37 | | | | X | | | |
| | TRIM Nos. 39R | | 2819907DG | 1 | 37 | | | | X | | | |
| | TRIM Nos. 10S | | 2819908BA | 1 | 37 | | | | X | | | |
| | TRIM Nos. 11S, 21S | | 2819908CA | 1 | 37 | | | | X | | | |
| | TRIM Nos. 18S | | 2819908CG | 1 | 37 | | | | X | | | |
| | TRIM Nos. 19S | | 2819908CJ | 1 | 37 | | | | X | | | |
| | TRIM Nos. 28S | | 2819908CH | 1 | 37 | | | | X | | | |
| | TRIM Nos. 30T | | 2819908CY | 1 | 37 | | | | X | | | |
| | TRIM Nos. 34T | | 2819908DB | 1 | 37 | | | | X | | | |
| | TRIM Nos. 36T | | 2819908DE | 1 | 37 | | | | X | | | |
| | TRIM Nos. 38T | | 2819908DF | 1 | 37 | | | | X | | | |
| | TRIM Nos. 39T | | 2819908DG | 1 | 37 | | | | X | | | |
| | TRIM Nos. 10C | | (*1 9928980BA | 1 | 69 | X | | | | | | |
| | TRIM Nos. 10C | | (*2 9929016BA | 1 | 69 | X | | | | | | |
| | TRIM Nos. 10D | | (*8 9929016CN | 1 | 69 | X | | | | | | |
| | TRIM Nos. 10A | | 2817481BA | 1 | 69 | X | | | | | | |
| | TRIM Nos. 11A, 21A | | 2817481CK | 1 | 69 | X | | | | | | |

Note: (*1 Houndstooth insert 14" x 13".
 (*2 Houndstooth insert 13" x 13".

"HQ" PARTS CATALOGUE

| GROUP | DESCRIPTION | SIDE | PART No. | QTY. | BODY STYLE | 801 802 | 803 804 | 808 | 811 812 | 814 | 815 816 | 818 |
|---------------|---|------|-----------|------|------------|------------|------------|-----|------------|-----|------------|-----|
| 15.035 | COVER ASSY. — Rear seat cushion (contd.) | | | | | | | | | | | |
| | TRIM Nos. 12A, 22A | | 2817481CL | 1 | 69 | X | | | | | | |
| | TRIM Nos. 14A, 24A | | 2817481CS | 1 | 69 | X | | | | | | |
| | TRIM Nos. 17A | | 2817481BK | 1 | 69 | X | | | | | | |
| | TRIM Nos. 19A | | 2817481CM | 1 | 69 | X | | | | | | |
| | TRIM Nos. 19C | | 2817481BL | 1 | 69 | X | | | | | | |
| | TRIM Nos. 30A | | 2817481CY | 1 | 69 | X | | | | | | |
| | TRIM Nos. 32A | | 2817481DJ | 1 | 69 | X | | | | | | |
| | TRIM Nos. 34A | | 2817481DK | 1 | 69 | X | | | | | | |
| | TRIM Nos. 35A | | 2817481DL | 1 | 69 | X | | | | | | |
| | TRIM Nos. 39A | | 2817481DM | 1 | 69 | X | | | | | | |
| | TRIM Nos. 10B, 10E | | 2817482BA | 1 | 69 | X | X | | | | | |
| | TRIM Nos. 11B, 11E, 21B, 21E | | 2817482CA | 1 | 69 | X | X | | | | | |
| | TRIM Nos. 12B, 12E, 22B, 22E | | 2817482CB | 1 | 69 | X | X | | | | | |
| | TRIM Nos. 14B, 14E, 24B, 24E | | 2817482CD | 1 | 69 | X | X | | | | | |
| | TRIM Nos. 16E | | 2817482CE | 1 | 69 | | X | | | | | |
| | TRIM Nos. 18E, 28E | | 2817482CG | 1 | 69 | | X | | | | | |
| | TRIM Nos. 19B, 19E | | 2817482CJ | 1 | 69 | X | X | | | | | |
| | TRIM Nos. 30B, 30E | | 2817482CY | 1 | 69 | X | X | | | | | |
| | TRIM Nos. 32B, 32E | | 2817482DA | 1 | 69 | X | X | | | | | |
| | TRIM Nos. 34B, 34E | | 2817482DB | 1 | 69 | X | X | | | | | |
| | TRIM Nos. 35B, 35E | | 2817482DC | 1 | 69 | X | X | | | | | |
| | TRIM Nos. 36E | | 2817482DE | 1 | 69 | X | X | | | | | |
| | TRIM Nos. 38E | | 2817482DF | 1 | 69 | X | X | | | | | |
| | TRIM Nos. 39B, 39E | | 2817482DG | 1 | 69 | X | X | | | | | |
| | TRIM Nos. 10G | | 2818599BA | 1 | 69 | | X | | | | | |
| | TRIM Nos. 10H | | 2818599CN | 1 | 69 | | X | | | | | |
| | TRIM Nos. 11G | | 2818599CA | 1 | 69 | | X | | | | | |
| | TRIM Nos. 16G | | 2818599CE | 1 | 69 | | X | | | | | |
| | TRIM Nos. 18H, 28H | | 2818599CG | 1 | 69 | | X | | | | | |
| | TRIM Nos. 19G | | 2818599CJ | 1 | 69 | | X | | | | | |
| | TRIM Nos. 21G | | 2818599CX | 1 | 69 | | X | | | | | |
| | TRIM Nos. 30G | | 2818599CY | 1 | 69 | | X | | | | | |
| | TRIM Nos. 30H | | 2818599DH | 1 | 69 | | X | | | | | |
| | TRIM Nos. 34G | | 2818599DB | 1 | 69 | | X | | | | | |
| | TRIM Nos. 35G | | 2818599DC | 1 | 69 | | X | | | | | |
| | TRIM Nos. 36G | | 2818599DE | 1 | 69 | | X | | | | | |
| | TRIM Nos. 38G | | 2818599DF | 1 | 69 | | X | | | | | |
| | TRIM Nos. 39G | | 2818599DG | 1 | 69 | | X | | | | | |
| | TRIM Nos. 10X | | 9930359BA | 1 | 69 | | X | | | | | |
| | TRIM Nos. 11X, 21X | | 9930359CA | 1 | 69 | | X | | | | | |
| | TRIM Nos. 14X, 24X | | 9930359CD | 1 | 69 | | X | | | | | |
| | TRIM Nos. 16X | | 9930359CE | 1 | 69 | | X | | | | | |
| | TRIM Nos. 18X | | 9930359CG | 1 | 69 | | X | | | | | |
| | TRIM Nos. 19X | | 9930359CJ | 1 | 69 | | X | | | | | |
| | TRIM Nos. 30X | | 9930359CY | 1 | 69 | | X | | | | | |
| | TRIM Nos. 34X | | 9930359DB | 1 | 69 | | X | | | | | |
| | TRIM Nos. 35X | | 9930359DC | 1 | 69 | | X | | | | | |
| | TRIM Nos. 36X | | 9930359DE | 1 | 69 | | X | | | | | |
| | TRIM Nos. 38X | | 9930359DF | 1 | 69 | | X | | | | | |
| | TRIM Nos. 39X | | 9930359DG | 1 | 69 | | X | | | | | |
| | TRIM Nos. 10Y | | 9929016BA | 1 | 69 | | X | | | | | |
| | TRIM Nos. 10Z | | 9929016CP | 1 | 69 | | X | | | | | |
| | TRIM Nos. 11Y, 21Y | | 9929016CA | 1 | 69 | | X | | | | | |
| | TRIM Nos. 14Y, 24Y | | 9929016CD | 1 | 69 | | X | | | | | |
| | TRIM Nos. 16Y | | 9929016CE | 1 | 69 | | X | | | | | |
| | TRIM Nos. 18Y | | 9929016CG | 1 | 69 | | X | | | | | |
| | TRIM Nos. 19Y | | 9929016CJ | 1 | 69 | | X | | | | | |
| | TRIM Nos. 30Y | | 9929016CY | 1 | 69 | | X | | | | | |
| | TRIM Nos. 34Y | | 9929016DB | 1 | 69 | | X | | | | | |
| | TRIM Nos. 35Y | | 9929016DC | 1 | 69 | | X | | | | | |
| | TRIM Nos. 36Y | | 9929016DE | 1 | 69 | | X | | | | | |
| | TRIM Nos. 38Y | | 9929016DF | 1 | 69 | | X | | | | | |
| | TRIM Nos. 39Y | | 9929016DG | 1 | 69 | | X | | | | | |
| | TRIM Nos. 81A, 81D | | 9932183CA | 1 | 69 | | X | | | | | |

"HQ" PARTS CATALOGUE

| GROUP | DESCRIPTION | SIDE | PART No. | QTY. | BODY STYLE | 801 802 | 803 804 | 808 | 811 812 | 814 | 815 816 | 818 |
|---------------|--|------|-----------|------|------------|------------|------------|-----|------------|-----|------------|-----|
| 15.035 | COVER ASSY. -- Rear seat cushion (contd.) | | | | | | | | | | | |
| | TRIM Nos. 81B | | 9932183CK | 1 | 69 | | X | | | | | |
| | TRIM Nos. 82A | | 9932183CB | 1 | 69 | | X | | | | | |
| | TRIM Nos. 82B | | 9932183CL | 1 | 69 | | X | | | | | |
| | TRIM Nos. 84A | | 9932183CD | 1 | 69 | | X | | | | | |
| | TRIM Nos. 84B | | 9932183CS | 1 | 69 | | X | | | | | |
| | TRIM Nos. 86A | | 9932183CE | 1 | 69 | | X | | | | | |
| | TRIM Nos. 88A | | 9932183CG | 1 | 69 | | X | | | | | |
| | TRIM Nos. 89A | | 9932183CJ | 1 | 69 | | X | | | | | |
| | TRIM Nos. 89B | | 9932183CM | 1 | 69 | | X | | | | | |
| | TRIM Nos. 10R | | 2818912BA | 1 | 69 | | | | X | | | |
| | TRIM Nos. 11R, 21R | | 2818912CA | 1 | 69 | | | | X | | | |
| | TRIM Nos. 12R, 22R | | 2818912CB | 1 | 69 | | | | X | | | |
| | TRIM Nos. 14R, 24R | | 2818912CD | 1 | 69 | | | | X | | | |
| | TRIM Nos. 16R | | 2818912CE | 1 | 69 | | | | X | | | |
| | TRIM Nos. 18R, 28R | | 2818912CG | 1 | 69 | | | | X | | | |
| | TRIM Nos. 19R | | 2818912CJ | 1 | 69 | | | | X | | | |
| | TRIM Nos. 30R | | 2818912CY | 1 | 69 | | | | X | | | |
| | TRIM Nos. 32R | | 2818912DA | 1 | 69 | | | | X | | | |
| | TRIM Nos. 34R | | 2818912DB | 1 | 69 | | | | X | | | |
| | TRIM Nos. 35R | | 2818912DC | 1 | 69 | | | | X | | | |
| | TRIM Nos. 36R | | 2818912DE | 1 | 69 | | | | X | | | |
| | TRIM Nos. 38R | | 2818912DF | 1 | 69 | | | | X | | | |
| | TRIM Nos. 39R | | 2818912DG | 1 | 69 | | | | X | | | |
| | TRIM Nos. 10T | | 2818913BA | 1 | 69 | | | | X | | | |
| | TRIM Nos. 10U | | 2818913CN | 1 | 69 | | | | X | | | |
| | TRIM Nos. 16T | | 2818913CE | 1 | 69 | | | | X | | | |
| | TRIM Nos. 18U, 28U | | 2818913CG | 1 | 69 | | | | X | | | |
| | TRIM Nos. 19T | | 2818913CJ | 1 | 69 | | | | X | | | |
| | TRIM Nos. 11T, 21T | | 2818913CX | 1 | 69 | | | | X | | | |
| | TRIM Nos. 30T | | 2818913CY | 1 | 69 | | | | X | | | |
| | TRIM Nos. 34T | | 2818913DB | 1 | 69 | | | | X | | | |
| | TRIM Nos. 36T | | 2818913DE | 1 | 69 | | | | X | | | |
| | TRIM Nos. 38T | | 2818913DF | 1 | 69 | | | | X | | | |
| | TRIM Nos. 39T | | 2818913DG | 1 | 69 | | | | X | | | |
| | TRIM Nos. 10R | | 2819359BA | 1 | 69 | | | | | | X | |
| | TRIM Nos. 11R, 21R | | 2819359CA | 1 | 69 | | | | | | X | |
| | TRIM Nos. 12R, 22R | | 2819359CB | 1 | 69 | | | | | | X | |
| | TRIM Nos. 14R, 24R | | 2819359CD | 1 | 69 | | | | | | X | |
| | TRIM Nos. 16R | | 2819359CE | 1 | 69 | | | | | | X | |
| | TRIM Nos. 18R, 28R | | 2819359CG | 1 | 69 | | | | | | X | |
| | TRIM Nos. 19R | | 2819359CJ | 1 | 69 | | | | | | X | |
| | TRIM Nos. 30R | | 2819359CY | 1 | 69 | | | | | | X | |
| | TRIM Nos. 32R | | 2819359DA | 1 | 69 | | | | | | X | |
| | TRIM Nos. 34R | | 2819359DB | 1 | 69 | | | | | | X | |
| | TRIM Nos. 35R | | 2819359DC | 1 | 69 | | | | | | X | |
| | TRIM Nos. 36R | | 2819359DE | 1 | 69 | | | | | | X | |
| | TRIM Nos. 38R | | 2819359DF | 1 | 69 | | | | | | X | |
| | TRIM Nos. 39R | | 2819359DG | 1 | 69 | | | | | | X | |
| | TRIM Nos. 10T | | 2819360BA | 1 | 69 | | | | | | X | |
| | TRIM Nos. 10U | | 2819360CN | 1 | 69 | | | | | | X | |
| | TRIM Nos. 11T | | 2819360CA | 1 | 69 | | | | | | X | |
| | TRIM Nos. 16T | | 2819360CE | 1 | 69 | | | | | | X | |
| | TRIM Nos. 18U, 28U | | 2819360CG | 1 | 69 | | | | | | X | |
| | TRIM Nos. 19T | | 2819360CJ | 1 | 69 | | | | | | X | |
| | TRIM Nos. 21T | | 2819360CX | 1 | 69 | | | | | | X | |
| | TRIM Nos. 30T | | 2819360CY | 1 | 69 | | | | | | X | |
| | TRIM Nos. 34T | | 2819360DB | 1 | 69 | | | | | | X | |
| | TRIM Nos. 36T | | 2819360DE | 1 | 69 | | | | | | X | |
| | TRIM Nos. 38T | | 2819360DF | 1 | 69 | | | | | | X | |
| | TRIM Nos. 39T | | 2819360DG | 1 | 69 | | | | | | X | |
| | TRIM Nos. 10M | | 2820183BA | 1 | 69 | | | | | X | | |
| | TRIM Nos. 11M, 21M | | 2820183CA | 1 | 69 | | | | | X | | |
| | TRIM Nos. 14M | | 2820183CD | 1 | 69 | | | | | X | | |
| | TRIM Nos. 18M | | 2820183CG | 1 | 69 | | | | | X | | |

BODY

"HQ" PARTS CATALOGUE

| GROUP | DESCRIPTION | SIDE | PART No. | QTY. | BODY STYLE | 801 802 | 803 804 | 808 | 811 812 | 814 | 815 816 | 818 |
|---------------|---|------|--------------|------|------------|------------|------------|-----|------------|-----|------------|-----|
| 15.035 | COVER ASSY. – Rear seat cushion (contd.) | | | | | | | | | | | |
| | TRIM Nos. 19M | | 2820183CJ | 1 | 69 | | | | | | X | |
| | TRIM Nos. 28M | | 2820183CH | 1 | 69 | | | | | | X | |
| | TRIM Nos. 30M | | 2820183CY | 1 | 69 | | | | | | X | |
| | TRIM Nos. 34M | | 2820183DB | 1 | 69 | | | | | | X | |
| | TRIM Nos. 35M | | 2820183DC | 1 | 69 | | | | | | X | |
| | TRIM Nos. 38M | | 2820183DF | 1 | 69 | | | | | | X | |
| | TRIM Nos. 39M | | 2820183DG | 1 | 69 | | | | | | X | |
| | TRIM Nos. 10N | | 2820182BA | 1 | 69 | | | | | | X | |
| | TRIM Nos. 11N, 21N | | 2820182CA | 1 | 69 | | | | | | X | |
| | TRIM Nos. 18N, 28N | | 2820182CG | 1 | 69 | | | | | | X | |
| | TRIM Nos. 19N | | 2820182CJ | 1 | 69 | | | | | | X | |
| | TRIM Nos. 30N | | 2820182CY | 1 | 69 | | | | | | X | |
| | TRIM Nos. 34N | | 2820182DB | 1 | 69 | | | | | | X | |
| | TRIM Nos. 35N | | 2820182DC | 1 | 69 | | | | | | X | |
| | TRIM Nos. 38N | | 2820182DF | 1 | 69 | | | | | | X | |
| | TRIM Nos. 39N | | 2820182DG | 1 | 69 | | | | | | X | |
| 15.036 | PAD ASSY. – Rear seat cushion | | | | | | | | | | | |
| | PAD ASSY. – Exc. SS, 4 door GTS | | 2817823 | 1 | 35, 69 | X | X | | | | | |
| | PAD ASSY. – SS, 4 door GTS | | 9928920 | 1 | 69 | X | X | | | | | |
| | PAD ASSY. | | 2819162 | 1 | 35 | | | | X | | | |
| | PAD ASSY. – Cushion spring | | 7414105 | 1 | 35, 37, 69 | X | X | X | X | X | X | X |
| | PAD ASSY. | | 2819371 | 1 | 37 | | X | | | | | |
| | PAD ASSY. | | 2819961 | 1 | 37 | | | X | | | | X |
| | PAD ASSY. | | 2819706 | 1 | 37 | | | | X | | | |
| | PAD ASSY. | | 2819080 | 1 | 69 | | | | X | | | |
| | PAD ASSY. | | 2819162 | 1 | 69 | | | | | | X | |
| | PAD ASSY. | | 2819767 | 1 | 69 | | | | | X | | |
| 15.040 | BELT – Rear seat – Lap & shoulder (Britax) | | | | | | | | | | | |
| | TRIM Nos. 10A, 10B, 10C, 10E, 10G, 10H, 10M, 10N, 10R, 10S, 10T, 10U, 10X, 10Y, 10Z, 14M, 17A, 18E, 18H, 18M, 18N, 18R, 18S, 18U, 18X, 18Y, 19C, 22A, 22B, 22E, 22R, 24A, 24B, 24E, 24R 24X, 24Y, 28E, 28H, 28M, 28N, 28R, 28S, 28U, 30A, 30B, 30E, 30G, 30H, 30R, 30T, 30X, 30Y, 32A, 32B, 32E, 32R, 34A, 34B, 34E, 34G, 34R, 34T, 34X, 34Y, 35X, 35Y, 36E, 36G, 36R, 36T, 36X, 36Y(Black) | | (' 2822603BA | 2 | 35, 37, 69 | X | X | X | X | X | X | X |
| | TRIM Nos. 11A, 11B, 11E, 11G, 11M, 11N, 11R, 11S, 11T, 11X, 11Y(Saddle) | | (' 2822603CA | 2 | 35, 37, 69 | X | X | X | X | X | X | X |
| | TRIM Nos. 12A, 12B, 12E, 12R(Red) | | (' 2822603CB | 2 | 35, 37, 69 | X | X | X | X | X | X | X |
| | TRIM Nos. 14A, 14B, 14E, 14R, 14X, 14Y(Blue) | | (' 2822603CD | 2 | 35, 37, 69 | X | X | X | X | X | X | X |
| | TRIM Nos. 16E, 16G, 16R, 16T, 16X, 16Y(Green) | | (' 2822603CE | 2 | 35, 37, 69 | X | X | X | X | X | X | X |
| | TRIM Nos. 19A, 19B, 19E, 19G, 19M, 19N, 19R, 19S, 19T, 19X, 19Y, 21A, 21B, 21E, 21G, 21M, 21N, 21R, 21S, 21T, 21X, 21Y(Brown) | | (' 2822603CJ | 2 | 35, 37, 69 | X | X | X | X | X | X | X |
| | TRIM Nos. 35A, 35B, 35E, 35G, 35R(Ash) | | 2822603DD | 2 | 35, 37, 69 | X | X | X | X | X | X | X |
| | TRIM Nos. 38E, 38G, 38R, 38T, 38X, 38Y, 39A, 39B, 39E, 39G, 39R, 39T, 39X, 39Y(Chestnut) | | 2822603DG | 2 | 35, 37, 69 | X | X | X | X | X | X | X |
| Note: | (' Three manufacturers' seat belts were used in Production. It is desirable to replace with same type as initial equipment. Identification. BRITAX – Flat section buckle COOLDRIVE – Centre section of buckle raised RAINSFORD – Branded R.M.P. on back of buckle. | | | | | | | | | | | |

"HQ" PARTS CATALOGUE

| GROUP | DESCRIPTION | SIDE | PART No. | QTY. | BODY STYLE | 801 802 | 803 804 | 808 | 811 812 | 814 | 815 816 | 818 |
|---|---|------|--------------|------|------------|------------|------------|-----|------------|-----|------------|-----|
| 15.040 | BELT – Rear seat – Lap & shoulder (Cooldrive) | | | | | | | | | | | |
| | TRIM Nos. 10A, 10B, 10C, 10E, 10G, 10H, 10M, 10N, 10R, 10S, 10T, 10U, 10X, 10Y, 10Z, 14M, 17A, 18E, 18H, 18M, 18N, 18R, 18S, 18U, 18X, 18Y, 19C, 22A, 22B, 22E, 22R, 24A, 24B, 24E, 24R, 24X, 24Y, 28E, 28H, 28M, 28N, 28R, 28S, 28U, 30A, 30B, 30E, 30G, 30H, 30R, 30T, 30X, 30Y, 32A, 32B, 32E, 32R, 34A, 34B, 34E, 34G, 34R, 34T, 34X, 34Y, 35X, 35Y, 36E, 36G, 36R, 36T, 36X, 36Y(Black) | | (' 2822602BA | 2 | 35, 37, 69 | X | X | X | X | X | X | X |
| | TRIM Nos. 11A, 11B, 11E, 11G, 11M, 11N, 11R, 11S, 11T, 11X, 11Y(Saddle) | | (' 2822602CA | 2 | 35, 37, 69 | X | X | X | X | X | X | X |
| | TRIM Nos. 12A, 12B, 12E, 12R(Red) | | (' 2822602CB | 2 | 35, 37, 69 | X | X | X | X | X | X | X |
| | TRIM Nos. 14A, 14B, 14E, 14R, 14X, 14Y(Blue) | | (' 2822602CD | 2 | 35, 37, 69 | X | X | X | X | X | X | X |
| | TRIM Nos. 16E, 16G, 16R, 16T, 16X, 16Y(Green) | | (' 2822602CE | 2 | 35, 37, 69 | X | X | X | X | X | X | X |
| | TRIM Nos. 19A, 19B, 19E, 19G, 19M, 19N 19R, 19S, 19T, 19X, 19Y, 21A, 21B, 21E, 21G 21M, 21N, 21R, 21S, 21T, 21X, 21Y(Brown) | | (' 2822602CJ | 2 | 35, 37, 69 | X | X | X | X | X | X | X |
| | TRIM Nos. 35A, 35B, 35E, 35G, 35R(Ash) | | 2822602DD | 2 | 35, 37, 69 | X | X | X | X | X | X | X |
| | TRIM Nos. 38E, 38G, 38R, 38T, 38X, 38Y, 39A, 39B, 39E, 39G, 39R, 39T, 39X, 39Y(Chestnut) | | 2822602DG | 2 | 35, 37, 69 | X | X | X | X | X | X | X |
| 15.040 | BELT – Rear seat – Lap & shoulder (Rainsford) | | | | | | | | | | | |
| | TRIM Nos. 10A, 10B, 10C, 10E, 10G, 10H, 10M, 10N, 10R, 10S, 10T, 10U, 10X, 10Y, 10Z, 14M, 17A, 18E, 18H, 18M, 18N, 18R, 18S, 18U, 18X, 18Y, 19C 22A, 22B, 22E, 22R, 24A, 24B, 24E, 24R, 24X, 24Y, 28E, 28H, 28M, 28N, 28R, 28S, 28U, 30A 30B, 30E, 30G, 30H, 30R, 30T, 30X, 30Y, 32A, 32B, 32E, 32R, 34A, 34B, 34E, 34G, 34R, 34T, 34X, 34Y, 35X, 35Y, 36E, 36G, 36R, 36T, 36X, 36Y(Black) | | (' 2822604BA | 2 | 35, 37, 69 | X | X | X | X | X | X | X |
| | TRIM Nos. 11A, 11B, 11E, 11G, 11M, 11N, 11R, 11S, 11T, 11X, 11Y(Saddle) | | (' 2822604CA | 2 | 35, 37, 69 | X | X | X | X | X | X | X |
| | TRIM Nos. 12A, 12B, 12E, 12R(Red) | | (' 2822604CB | 2 | 35, 37, 69 | X | X | X | X | X | X | X |
| | TRIM Nos. 14A, 14B, 14E, 14R, 14X, 14Y(Blue) | | (' 2822604CD | 2 | 35, 37, 69 | X | X | X | X | X | X | X |
| | TRIM Nos. 16E, 16G, 16R, 16T, 16X, 16Y(Green) | | (' 2822604CE | 2 | 35, 37, 69 | X | X | X | X | X | X | X |
| | TRIM Nos. 19A, 19B, 19E, 19G, 19M, 19N, 19R, 19S, 19T, 19X, 19Y, 21A, 21B, 21E, 21G, 21M, 21N, 21R, 21S, 21T, 21X, 21Y(Brown) | | (' 2822604CJ | 2 | 35, 37, 69 | X | X | X | X | X | X | X |
| | TRIM Nos. 35A, 35B, 35E, 35G, 35R(Ash) | | 2822604DD | 2 | 35, 37, 69 | X | X | X | X | X | X | X |
| | TRIM Nos. 38E, 38G, 38R, 38T, 38X, 38Y, 39A, 39B 39E, 39G, 39R, 39T, 39X, 39Y(Chestnut) | | 2822604DG | 2 | 35, 37, 69 | X | X | X | X | X | X | X |
| 15.040 | BELT – Rear seat – Lap & shoulder (Mini Buckle) | | | | | | | | | | | |
| | TRIM Nos. 10A, 10B, 10C, 10E, 10G, 10H, 10M, 10N, 10R, 10T, 10U, 12A, 12B, 12E, 12R, 14A, 14B, 14E, 14M, 14R, 14X, 14Y, 17A, 18E, 18H, 18M, 18N, 18R, 18S, 18U, 18X, 18Y, 19C, 22A, 22B, 22E, 22R, 24A, 24B, 24E, 24R, 24X, 24Y, 28E, 28H, 28M, 28N, 28R, 28S, 28U, 30A, 30B, 30E, 30G, 30H, 30M, 30N, 30R, 30T, 30X, 30Y, 32A, 32B, 32E, 32R, 34A, 34B, 34E, 34G, 34M, 34N, 34R, 34T, 34X, 34Y, 35X, 35Y, 36E, 36G, 36R, 36T, 36X, 36Y(Black) | | 2825243BA | 2 | 35, 37, 69 | X | X | X | X | X | X | X |
| | TRIM Nos. 11A, 11B, 11E, 11G, 11M, 11N, 11R, 11T 19A, 19B, 19E, 19G, 19M, 19N, 19R, 19T, 21A, 21B, 21E, 21G, 21M, 21N, 21R, 21T(Brown) | | 2825243CJ | 2 | 35, 37, 69 | X | X | X | X | X | X | X |
| <p>Note: (' Three manufacturers' seat belts were used in Production. It is desirable to replace with same type as initial equipment. Identification. BRITAX – Flat section buckle COOLDRIIVE – Centre section of buckle raised RAINSFORD – Branded R.M.P. on back of buckle.</p> | | | | | | | | | | | | |

"HQ" PARTS CATALOGUE

| GROUP | DESCRIPTION | SIDE | PART No. | QTY. | BODY STYLE | 801 802 | 803 804 | 808 | 811 812 | 814 | 815 816 | 818 |
|---|---|------|--------------|------|------------|------------|------------|-----|------------|-----|------------|-----|
| 15.040 BELT – Rear seat – Lap & shoulder (Mini Buckle) (contd.) | | | | | | | | | | | | |
| | TRIM Nos. 16E, 16G, 16R, 16T(Green) | | 2825243CE | 2 | 35, 37, 69 | X | X | X | X | X | X | X |
| | TRIM Nos. 35A, 35B, 35E, 35G, 35M, 35N, 35R(Ash) | | 2825243DD | 2 | 35, 37, 69 | X | X | X | X | X | X | X |
| | TRIM Nos. 38E, 38G, 38M, 38N, 38R, 38T, 39A, 39B, 39E, 39G, 39M, 39N, 39R, 39T(Chestnut) | | 2825243DG | 2 | 35, 37, 69 | X | X | X | X | X | X | X |
| 15.040 BELT – Rear seat – Centre lap (Britax) | | | | | | | | | | | | |
| | TRIM Nos. 10A, 10B, 10C, 10E, 10G, 10H, 10M, 10N, 10R, 10T, 10U, 10X, 10Y, 10Z, 14M, 17A, 18E, 18H, 18M, 18N, 18R, 18S, 18U, 18X, 18Y, 19C, 22A, 22B, 22E, 22R, 24A, 24B, 24E, 24R, 24X, 24Y, 28E, 28H, 28M, 28N, 28R, 28S, 28U, 30A, 30B, 30E, 30G, 30H, 30M, 30N, 30R, 30T, 30X, 30Y, 32A, 32B, 32E, 32R, 34A, 34B, 34E, 34G, 34M, 34N, 34R, 34T, 34X, 34Y, 35X, 35Y, 36E, 36G, 36R, 36T, 36X, 36Y(Black) | | (' 2818837BA | 1 | 35, 37, 69 | X | X | X | X | X | X | X |
| | TRIM Nos. 11A, 11B, 11E, 11G, 11M, 11N, 11R, 11S, 11T, 11X, 11Y(Saddle) | | (' 2818837CA | 1 | 35, 37, 69 | X | X | X | X | X | X | X |
| | TRIM Nos. 12A, 12B, 12E, 12R(Red) | | (' 2818837CB | 1 | 35, 37, 69 | X | X | X | X | X | X | X |
| | TRIM Nos. 14A, 14B, 14E, 14R, 14X, 14T(Blue) | | (' 2818837CD | 1 | 35, 37, 69 | X | X | X | X | X | X | X |
| | TRIM Nos. 16E, 16G, 16R, 16T, 16X, 16Y(Green) | | (' 2818837CE | 1 | 2818837 | X | X | X | X | X | X | X |
| | TRIM Nos. 19A, 19B, 19E, 19G, 19M, 19N, 19R, 19S, 19T, 19X, 19Y, 21A, 21B, 21E, 21G, 21M, 21N, 21R, 21S, 21T, 21X, 21Y(Brown) | | (' 2818837CJ | 1 | 35, 37, 69 | X | X | X | X | X | X | X |
| | TRIM Nos. 35A, 35B, 35E, 35G, 35M, 35N, 35R(Ash) | | 2818837DD | 1 | 35, 37, 69 | X | X | X | X | X | X | X |
| | TRIM Nos. 38E, 38G, 38M, 38N, 38R, 38T, 38X, 38Y, 39A, 39B, 39E, 39G, 39M, 39N, 39R, 39T, 39X, 39Y(Chestnut) | | 2818837DG | 1 | 35, 37, 69 | X | X | X | X | X | X | X |
| 15.040 BELT – Rear seat – Centre lap (Cooldrive) | | | | | | | | | | | | |
| | TRIM Nos. 10A, 10B, 10C, 10E, 10G, 10H, 10M, 10N, 10R, 10T, 10U, 10X, 10Y, 10Z, 14M, 17A, 18E, 18H, 18M, 18N, 18R, 18S, 18U, 18X, 18Y, 19C, 22A, 22B, 22E, 22R, 24A, 24B, 24E, 24R, 24X, 24Y, 28E, 28H, 28M, 28N, 28R, 28S, 28U, 30A, 30B, 30E, 30G, 30H, 30M, 30N, 30R, 30T, 30X, 30Y, 32A, 32B, 32E, 32R, 34A, 34B, 34E, 34G, 34M, 34N, 34R, 34T, 34X, 34Y, 35X, 35Y, 36E, 36G, 36R, 36T, 36X, 36Y(Black) | | (' 2818836BA | 1 | 35, 37, 69 | X | X | X | X | X | X | X |
| | TRIM Nos. 11A, 11B, 11E, 11G, 11M, 11N, 11R, 11S, 11T, 11X, 11Y(Saddle) | | (' 2818836CA | 1 | 35, 37, 69 | X | X | X | X | X | X | X |
| | TRIM Nos. 12A, 12B, 12E, 12R(Red) | | (' 2818836CB | 1 | 35, 37, 69 | X | X | X | X | X | X | X |
| | TRIM Nos. 14A, 14B, 14E, 14R, 14X, 14Y(Blue) | | (' 2818836CD | 1 | 35, 37, 69 | X | X | X | X | X | X | X |
| | TRIM Nos. 16E, 16G, 16R, 16T, 16X, 16Y(Green) | | (' 2818836CE | 1 | 35, 37, 69 | X | X | X | X | X | X | X |
| | TRIM Nos. 19A, 19B, 19E, 19G, 19M, 19N, 19R, 19S, 19T, 19X, 19Y, 21A, 21B, 21E, 21G, 21M, 21N, 21R, 21S, 21T, 21X, 21Y(Brown) | | (' 2818836CJ | 1 | 35, 37, 69 | X | X | X | X | X | X | X |
| | TRIM Nos. 35A, 35B, 35E, 35G, 35M, 35N, 35R(Ash) | | 2818836DD | 1 | 35, 37, 69 | X | X | X | X | X | X | X |
| | TRIM Nos. 38E, 38G, 38M, 38N, 38R, 38T, 38X, 38Y, 39A, 39B, 39E, 39G, 39M, 39N, 39R, 39T, 39X, 39Y(Chestnut) | | 2818836DG | 1 | 35, 37, 69 | X | X | X | X | X | X | X |
| <p>Note: (' Three manufacturers' seat belts were used in Production. It is desirable to replace with same type as initial equipment. Identification. BRITAX – Flat section buckle COOLDRIVE – Centre section of buckle raised RAINSFORD – Branded R.M.P. on back of buckle.</p> | | | | | | | | | | | | |

"HQ" PARTS CATALOGUE

| GROUP | DESCRIPTION | SIDE | PART No. | QTY. | BODY STYLE | 801 802 | 803 804 | 808 | 811 812 | 814 | 815 816 | 818 | |
|---|---|------|--------------|------|------------|------------|------------|-----|------------|-----|------------|-----|---|
| 15.040 BELT – Rear seat – Centre lap (Rainsford) | | | | | | | | | | | | | |
| | TRIM Nos. 10A, 10B, 10C, 10E, 10G, 10H, 10M, 10N, 10R, 10T, 10U, 10X, 10Y, 10Z, 14M, 17A, 18E, 18H, 18M, 18N, 18R, 18S, 18U, 18X, 18Y, 19C, 22A, 22B, 22E, 22R, 24A, 24B, 24E, 24R, 24X, 24Y, 28E, 28H, 28M, 28N, 28R, 28S, 28U, 30A, 30B, 30E, 30G, 30H, 30M, 30N, 30R, 30T, 30X, 30Y, 32A, 32B, 32E, 32R, 34A, 34B, 34E, 34G, 34M, 34N, 34R, 34T, 34X, 34Y, 35X, 35Y, 36E, 36G, 36R, 36T, 36X, 36Y(Black) | | (' 2818838BA | 1 | 35, 37, 69 | | X | X | X | X | X | X | X |
| | TRIM Nos. 11A, 11B, 11E, 11G, 11M, 11N, 11R, 11S, 11T, 11X, 11Y(Saddle) | | (' 2818838CA | 1 | 35, 37, 69 | | X | X | X | X | X | X | X |
| | TRIM Nos. 12A, 12B, 12E, 12R(Red) | | (' 2818838CB | 1 | 35, 37, 69 | | X | X | X | X | X | X | X |
| | TRIM Nos. 12A, 12B, 12E, 12R(Red) | | (' 2818838CB | 1 | 35, 37, 69 | | X | X | X | X | X | X | X |
| | TRIM Nos. 14A, 14B, 14E, 14R, 14X, 14Y(Blue) | | (' 2818838CD | 1 | 35, 37, 69 | | X | X | X | X | X | X | X |
| | TRIM Nos. 16E, 16G, 16R, 16T, 16X, 16Y(Green) | | (' 2818838CE | 1 | 35, 37, 69 | | X | X | X | X | X | X | X |
| | TRIM Nos. 19A, 19B, 19E, 19G, 19M, 19N, 19R, 19S, 19T, 19X, 19Y, 21A, 21B, 21E, 21G, 21M, 21N, 21R, 21S, 21T, 21X, 21Y(Brown) | | (' 2818838CJ | 1 | 35, 37, 69 | | X | X | X | X | X | X | X |
| | TRIM Nos. 35A, 35B, 35E, 35G, 35M, 35N, 35R(Ash) | | 2818838DD | 1 | 35, 37, 69 | | X | X | X | X | X | X | X |
| | TRIM Nos. 38E, 38G, 38M, 38N, 38R, 38T, 38X, 38Y 39A, 39B, 39E, 39G, 39M, 39N, 39R, 39T, 39X 39Y(Chestnut) | | 2818838DG | 1 | 35, 37, 69 | | X | X | X | X | X | X | X |
| 15.040 SLEEVE – Seat belt protector | | | | | | | | | | | | | |
| | TRIM Nos. 10R, 10S, 18R, 18S, 22R, 24R, 28R 28S, 30R, 30T, 32R, 34R, 34T, 36R, 36T(Black) | | 2823366BA | 2 | 37 | | | | X | | | | |
| | TRIM Nos. 11R, 11S(Saddle) | | 2823366CA | 2 | 37 | | | | X | | | | |
| | TRIM Nos. 12R(Red) | | 2823366CB | 2 | 37 | | | | X | | | | |
| | TRIM Nos. 14R(Blue) | | 2823366CD | 2 | 37 | | | | X | | | | |
| | TRIM Nos. 16R(Green) | | 2823366CE | 2 | 37 | | | | X | | | | |
| | TRIM Nos. 19R, 19S, 21R, 21S(Brown) | | 2823366CJ | 2 | 37 | | | | X | | | | |
| | TRIM Nos. 35R(Ash) | | 2823366DD | 2 | 37 | | | | X | | | | |
| | TRIM Nos. 38R, 38T, 39R, 39T(Chestnut) | | 2823366DG | 2 | 37 | | | | X | | | | |
| | TRIM Nos. 10M, 10N, 14M, 18M, 18N, 28M, 28N, 30M, 30N, 34M, 34N(Black) | | 2823366BA | 2 | 69 | | | | | X | | | |
| | TRIM Nos. 11M, 11N(Saddle) | | 2823366CA | 2 | 69 | | | | | X | | | |
| | TRIM Nos. 19M, 19N, 21M, 21N(Brown) | | 2823366CJ | 2 | 69 | | | | | X | | | |
| | TRIM Nos. 35M, 35N(Ash) | | 2823366DD | 2 | 69 | | | | | X | | | |
| | TRIM Nos. 38M, 38N, 39M, 39N(Chestnut) | | 2823366DG | 2 | 69 | | | | | X | | | |
| 15.100 TRIM ASSY. – Wheelhouse | | | | | | | | | | | | | |
| | TRIM Nos. 10A, 10B | LH | 2820517BA | 1 | 35 | | X | | | | | | |
| | | RH | 2820518BA | 1 | 35 | | X | | | | | | |
| | TRIM Nos. 11A, 21A | LH | 2820517CK | 1 | 35 | | X | | | | | | |
| | | RH | 2820518CK | 1 | 35 | | X | | | | | | |
| | TRIM Nos. 11B, 21B | LH | 2820517CA | 1 | 35 | | X | | | | | | |
| | | RH | 2820518CA | 1 | 35 | | X | | | | | | |
| | TRIM Nos. 12A, 22A | LH | 2820517CL | 1 | 35 | | X | | | | | | |
| | | RH | 2820518CL | 1 | 35 | | X | | | | | | |
| | TRIM Nos. 12B, 22B | LH | 2820517CB | 1 | 35 | | X | | | | | | |
| | | RH | 2820518CB | 1 | 35 | | X | | | | | | |
| | TRIM Nos. 14A, 24A | LH | 2820517CS | 1 | 35 | | X | | | | | | |
| | | RH | 2820518CS | 1 | 35 | | X | | | | | | |
| | TRIM Nos. 14B, 24B | LH | 2820517CD | 1 | 35 | | X | | | | | | |
| | | RH | 2820518CD | 1 | 35 | | X | | | | | | |
| | TRIM Nos. 17A | LH | 2820517BK | 1 | 35 | | X | | | | | | |
| | | RH | 2820518BK | 1 | 35 | | X | | | | | | |
| <p>Note: (' Three manufacturers' seat belts were used in Production. It is desirable to replace with same type as initial equipment. Identification. BRITAX – Flat section buckle COOLDRIVE – Centre section of buckle raised RAINSFORD – Branded R.M.P. on back of buckle.</p> | | | | | | | | | | | | | |

“HQ” PARTS CATALOGUE

| GROUP | DESCRIPTION | SIDE | PART No. | QTY. | BODY STYLE | 801 802 | 803 804 | 808 | 811 812 | 814 | 815 816 | 818 |
|---------------|---|------|-----------|------|------------|------------|------------|-----|------------|-----|------------|-----|
| 15.100 | TRIM ASSY. — Wheelhouse (contd.) | | | | | | | | | | | |
| | TRIM Nos. 19A | LH | 2820517CM | 1 | 35 | X | | | | | | |
| | | RH | 2820518CM | 1 | 35 | X | | | | | | |
| | TRIM Nos. 19B | LH | 2820517CJ | 1 | 35 | X | | | | | | |
| | | RH | 2820518CJ | 1 | 35 | X | | | | | | |
| | TRIM Nos. 19G | LH | 2820517BL | 1 | 35 | X | | | | | | |
| | | RH | 2820518BL | 1 | 35 | X | | | | | | |
| | TRIM Nos. 30A, 30B | LH | 2820517CY | 1 | 35 | X | | | | | | |
| | | RH | 2820518CY | 1 | 35 | X | | | | | | |
| | TRIM Nos. 32A | LH | 2820517DJ | 1 | 35 | X | | | | | | |
| | | RH | 2820518DJ | 1 | 35 | X | | | | | | |
| | TRIM Nos. 32B | LH | 2820517DA | 1 | 35 | X | | | | | | |
| | | RH | 2820518DA | 1 | 35 | X | | | | | | |
| | TRIM Nos. 34A | LH | 2820517DK | 1 | 35 | X | | | | | | |
| | | RH | 2820518DK | 1 | 35 | X | | | | | | |
| | TRIM Nos. 34B | LH | 2820517DB | 1 | 35 | X | | | | | | |
| | | RH | 2820518DB | 1 | 35 | X | | | | | | |
| | TRIM Nos. 35A, 35B | LH | 2820517DD | 1 | 35 | X | | | | | | |
| | | RH | 2820518DD | 1 | 35 | X | | | | | | |
| | TRIM Nos. 39A | LH | 2820517DM | 1 | 35 | X | | | | | | |
| | | RH | 2820518DM | 1 | 35 | X | | | | | | |
| | TRIM Nos. 39B | LH | 2820517DG | 1 | 35 | X | | | | | | |
| | | RH | 2820518DG | 1 | 35 | X | | | | | | |
| | TRIM Nos. 10E, 10G, 10H, 10R, 10T, 10U | LH | 2820525BA | 1 | 35 | | X | | X | | | |
| | | RH | 2820524BA | 1 | 35 | | X | | X | | | |
| | TRIM Nos. 11E, 11G, 11R, 11T, 21E, 21G, 21R, 21T | LH | 2820525CA | 1 | 35 | | X | | X | | | |
| | | RH | 2820524CA | 1 | 35 | | X | | X | | | |
| | TRIM Nos. 12E, 12R, 22E, 22R | LH | 2820525CB | 1 | 35 | | X | | X | | | |
| | | RH | 2820524CB | 1 | 35 | | X | | X | | | |
| | TRIM Nos. 14E, 14R, 24E, 24R | LH | 2820525CD | 1 | 35 | | X | | X | | | |
| | | RH | 2820524CD | 1 | 35 | | X | | X | | | |
| | TRIM Nos. 16E, 16G, 16R, 16T | LH | 2820525CE | 1 | 35 | | X | | X | | | |
| | | RH | 2820524CE | 1 | 35 | | X | | X | | | |
| | TRIM Nos. 18E, 18H, 18R, 18U, 28E, 28H, 28R, 28U | LH | 2820525CG | 1 | 35 | | X | | X | | | |
| | | RH | 2820524CG | 1 | 35 | | X | | X | | | |
| | TRIM Nos. 19E, 19G, 19R, 19T | LH | 2820525CJ | 1 | 35 | | X | | X | | | |
| | | RH | 2820524CJ | 1 | 35 | | X | | X | | | |
| | TRIM Nos. 30E, 30G, 30H, 30R, 30T | LH | 2820525CY | 1 | 35 | | X | | X | | | |
| | | RH | 2820524CY | 1 | 35 | | X | | X | | | |
| | TRIM Nos. 32E, 32R | LH | 2820525DA | 1 | 35 | | X | | X | | | |
| | | RH | 2820524DA | 1 | 35 | | X | | X | | | |
| | TRIM Nos. 34E, 34G, 34R, 34T | LH | 2820525DB | 1 | 35 | | X | | X | | | |
| | | RH | 2820524DB | 1 | 35 | | X | | X | | | |
| | TRIM Nos. 35E, 35G | LH | 2820525DD | 1 | 35 | | X | | X | | | |
| | | RH | 2820524DD | 1 | 35 | | X | | X | | | |
| | TRIM Nos. 35R | LH | 2820525DC | 1 | 35 | | X | | X | | | |
| | | RH | 2820524DC | 1 | 35 | | X | | X | | | |
| | TRIM Nos. 36E, 36G, 36R, 36T | LH | 2820525DE | 1 | 35 | | X | | X | | | |
| | | RH | 2820524DE | 1 | 35 | | X | | X | | | |
| | TRIM Nos. 38E, 38G, 39E, 39G, 39R, 39T | LH | 2820525DG | 1 | 35 | | X | | X | | | |
| | | RH | 2820524DG | 1 | 35 | | X | | X | | | |
| | TRIM Nos. 38R, 38T | LH | 2820525DF | 1 | 35 | | X | | X | | | |
| | | RH | 2820524DF | 1 | 35 | | X | | X | | | |
| 15.100 | TRIM ASSY. — Rear quarter side inner | | | | | | | | | | | |
| | TRIM Nos. 10A, 10B, 10E, 10G, 10H, 30A, 30B, 30E, 30G, 30H | LH | 2817337BA | 1 | 35 | X | X | | | | | |
| | | RH | 2817338BA | 1 | 35 | X | X | | | | | |
| | TRIM Nos. 11A, 11B, 11E, 11G, 21A, 21B, 21E, 21G | LH | 2817337CA | 1 | 35 | X | X | | | | | |
| | | RH | 2817338CA | 1 | 35 | X | X | | | | | |
| | TRIM Nos. 12A, 12B, 12E, 22A, 22B, 22E | LH | 2817337CB | 1 | 35 | X | X | | | | | |
| | | RH | 2817338CB | 1 | 35 | X | X | | | | | |
| | TRIM Nos. 14A, 14B, 14E, 24A, 24B, 24E | LH | 2817337CD | 1 | 35 | X | X | | | | | |
| | | RH | 2817338CD | 1 | 35 | X | X | | | | | |

"HQ" PARTS CATALOGUE

| GROUP | DESCRIPTION | SIDE | PART No. | QTY. | BODY STYLE | 801 802 | 803 804 | 808 | 811 812 | 814 | 815 816 | 818 |
|---|--|------|-----------|------|------------|------------|------------|-----|------------|-----|------------|-----|
| 15.100 TRIM ASSY. — Rear quarter side inner (contd.) | | | | | | | | | | | | |
| | TRIM Nos. 16E, 16G | LH | 2817337CE | 1 | 35 | X | X | | | | | |
| | | RH | 2817338CE | 1 | 35 | X | X | | | | | |
| | TRIM Nos. 17A | LH | 2817337BK | 1 | 35 | X | X | | | | | |
| | | RH | 2817338BK | 1 | 35 | X | X | | | | | |
| | TRIM Nos. 18E, 18H, 28E, 28H | LH | 2817337CG | 1 | 35 | X | X | | | | | |
| | | RH | 2817338CG | 1 | 35 | X | X | | | | | |
| | TRIM Nos. 19A, 19B, 19E, 19G | LH | 2817337CJ | 1 | 35 | X | X | | | | | |
| | | RH | 2817338CJ | 1 | 35 | X | X | | | | | |
| | TRIM Nos. 19C | LH | 2817337BL | 1 | 35 | X | X | | | | | |
| | | RH | 2817338BL | 1 | 35 | X | X | | | | | |
| | TRIM Nos. 32A, 32B, 32E | LH | 2817337DA | 1 | 35 | X | X | | | | | |
| | | RH | 2817338DA | 1 | 35 | X | X | | | | | |
| | TRIM Nos. 34A, 34B, 34E, 34G | LH | 2817337DB | 1 | 35 | X | X | | | | | |
| | | RH | 2817338DB | 1 | 35 | X | X | | | | | |
| | TRIM Nos. 35A, 35B, 35E, 35G | LH | 2817337DD | 1 | 35 | X | X | | | | | |
| | | RH | 2817338DD | 1 | 35 | X | X | | | | | |
| | TRIM Nos. 36E, 36G | LH | 2817337DE | 1 | 35 | X | X | | | | | |
| | | RH | 2817338DE | 1 | 35 | X | X | | | | | |
| | TRIM Nos. 38E, 38G, 39A, 39B, 39E, 39G | LH | 2817337DG | 1 | 35 | X | X | | | | | |
| | | RH | 2817338DG | 1 | 35 | X | X | | | | | |
| | TRIM Nos. 10R, 10T, 10U | LH | 2818129BA | 1 | 35 | | | | | X | | |
| | | RH | 2818130BA | 1 | 35 | | | | | X | | |
| | TRIM Nos. 11R, 11T, 21R, 21T | LH | 2818129CA | 1 | 35 | | | | | X | | |
| | | RH | 2818130CA | 1 | 35 | | | | | X | | |
| | TRIM Nos. 12R, 22R | LH | 2818129CB | 1 | 35 | | | | | X | | |
| | | RH | 2818130CB | 1 | 35 | | | | | X | | |
| | TRIM Nos. 14R, 24R | LH | 2818129CD | 1 | 35 | | | | | X | | |
| | | RH | 2818130CD | 1 | 35 | | | | | X | | |
| | TRIM Nos. 16R, 16T | LH | 2818129CE | 1 | 35 | | | | | X | | |
| | | RH | 2818130CE | 1 | 35 | | | | | X | | |
| | TRIM Nos. 18R, 18U, 28R, 28U | LH | 2818129CG | 1 | 35 | | | | | X | | |
| | | RH | 2818130CG | 1 | 35 | | | | | X | | |
| | TRIM Nos. 19R, 19T | LH | 2818129CJ | 1 | 35 | | | | | X | | |
| | | RH | 2818130CJ | 1 | 35 | | | | | X | | |
| | TRIM Nos. 30R, 30T | LH | 2818129CY | 1 | 35 | | | | | X | | |
| | | RH | 2818130CY | 1 | 35 | | | | | X | | |
| | TRIM Nos. 32R | LH | 2818129DA | 1 | 35 | | | | | X | | |
| | | RH | 2818130DA | 1 | 35 | | | | | X | | |
| | TRIM Nos. 34R, 34T | LH | 2818129DB | 1 | 35 | | | | | X | | |
| | | RH | 2818130DB | 1 | 35 | | | | | X | | |
| | TRIM Nos. 35R | LH | 2818129DC | 1 | 35 | | | | | X | | |
| | | RH | 2818130DC | 1 | 35 | | | | | X | | |
| | TRIM Nos. 36R, 36T | LH | 2818129DE | 1 | 35 | | | | | X | | |
| | | RH | 2818130DE | 1 | 35 | | | | | X | | |
| | TRIM Nos. 38R, 38T | LH | 2818129DF | 1 | 35 | | | | | X | | |
| | | RH | 2818130DF | 1 | 35 | | | | | X | | |
| | TRIM Nos. 39R, 39T | LH | 2818129DG | 1 | 35 | | | | | X | | |
| | | RH | 2818130DG | 1 | 35 | | | | | X | | |
| 15.100 FASTENER — Rear quarter side inner trim | | | | | | | | | | | | |
| | TRIM Nos. 10A, 10B, 10E, 10G, 10H, 10R, 10T, 10U, 30A, 30B, 30E, 30G, 30H, 30R, 30T | | SP1838BA | AR | 35 | X | X | | | X | | |
| | TRIM Nos. 11A, 11B, 11E, 11G, 11R, 11T, 21A, 21B, 21E, 21G, 21R, 21T | | SP1838CA | AR | 35 | X | X | | | X | | |
| | TRIM Nos. 12A, 12B, 12E, 12R, 22A, 22B, 22E, 22R | | SP1838CB | AR | 35 | X | X | | | X | | |
| | TRIM Nos. 14A, 14B, 14E, 14R, 24A, 24B, 24E, 24R | | SP1838CD | AR | 35 | X | X | | | X | | |
| | TRIM Nos. 16E, 16G, 16R, 16T | | SP1838CE | AR | 35 | X | X | | | X | | |
| | TRIM Nos. 17A | | SP1838BK | AR | 35 | X | X | | | X | | |
| | TRIM Nos. 18E, 18H, 18R, 18U, 28E, 28H, 28R, 28U | | SP1838CG | AR | 35 | X | X | | | X | | |
| | TRIM Nos. 19E, 19G, 19R, 19T | | SP1838CJ | AR | 35 | X | X | | | X | | |
| | TRIM Nos. 19C | | SP1838BL | AR | 35 | X | X | | | X | | |
| | TRIM Nos. 32A, 32B, 32E, 32R | | SP1838DA | AR | 35 | X | X | | | X | | |

BODY

"HQ" PARTS CATALOGUE

| GROUP | DESCRIPTION | SIDE | PART No. | QTY. | BODY STYLE | 801 802 | 803 804 | 808 | 811 812 | 814 | 815 816 | 818 |
|--|---|------|-----------|------|------------|------------|------------|-----|------------|-----|------------|-----|
| 15.100 FASTENER – Rear quarter side inner trim (contd.) | | | | | | | | | | | | |
| | TRIM Nos. 34A, 34B, 34E, 34G, 34R, 34T | | SP1838DB | AR | 35 | X | X | | X | | | |
| | TRIM Nos. 35A, 35B, 35E, 35G, 35R | | SP1838DD | AR | 35 | X | X | | X | | | |
| | TRIM Nos. 36E, 36G, 36R, 36T | | SP1838DE | AR | 35 | X | X | | X | | | |
| | TRIM Nos. 38E, 38G, 39A, 39B, 39E, 39G, 39R, 39T | | SP1838DG | AR | 35 | X | X | | X | | | |
| | TRIM Nos. 38R, 38T | | SP1838DF | AR | 35 | X | X | | X | | | |
| 15.100 PANEL – Rear quarter side inner extension | | | | | | | | | | | | |
| | TRIM Nos. 30A, 30B, 30E, 30G, 30H | LH | 9930931BA | 1 | 35 | X | X | | | | | |
| | | RH | 9930930BA | 1 | 35 | X | X | | | | | |
| | TRIM Nos. 32A, 32B, 32E | LH | 9930931DA | 1 | 35 | X | X | | | | | |
| | | RH | 9930930DA | 1 | 35 | X | X | | | | | |
| | TRIM Nos. 34A, 34B, 34E, 34G | LH | 9930931DB | 1 | 35 | X | X | | | | | |
| | | RH | 9930930DB | 1 | 35 | X | X | | | | | |
| | TRIM Nos. 35A, 35B, 35E, 35G | LH | 9930931DD | 1 | 35 | X | X | | | | | |
| | | RH | 9930930DD | 1 | 35 | X | X | | | | | |
| | TRIM Nos. 36E, 36G | LH | 9930931DE | 1 | 35 | X | X | | | | | |
| | | RH | 9930930DE | 1 | 35 | X | X | | | | | |
| | TRIM Nos. 38E, 38G, 39A, 39B, 39E, 39G | LH | 9930931DG | 1 | 35 | X | X | | | | | |
| | | RH | 9930930DG | 1 | 35 | X | X | | | | | |
| 15.100 TRIM ASSY. – Rear quarter side inner extension | | | | | | | | | | | | |
| | TRIM Nos. 10A, 10B, 10E, 10G, 10H, 10R, 10T, 10U | LH | 2817471BA | 1 | 35 | X | X | | | | X | |
| | | RH | 2817472BA | 1 | 35 | X | X | | | | X | |
| | TRIM Nos. 11A, 21A | LH | 2817471CK | 1 | 35 | X | X | | | | X | |
| | | RH | 2817472CK | 1 | 35 | X | X | | | | X | |
| | TRIM Nos. 11B, 11E, 11G, 11R, 11T, 21B, 21E 21R, 21T | LH | 2817471CA | 1 | 35 | X | X | | | | X | |
| | | RH | 2817472CA | 1 | 35 | X | X | | | | X | |
| | TRIM Nos. 12A, 22A | LH | 2817471CL | 1 | 35 | X | X | | | | X | |
| | | RH | 2817472CL | 1 | 35 | X | X | | | | X | |
| | TRIM Nos. 12B, 12E, 12R, 22B, 22E, 22R | LH | 2817471CB | 1 | 35 | X | X | | | | X | |
| | | RH | 2817472CB | 1 | 35 | X | X | | | | X | |
| | TRIM Nos. 14A, 24A | LH | 2817471CS | 1 | 35 | X | X | | | | X | |
| | | RH | 2817472CS | 1 | 35 | X | X | | | | X | |
| | TRIM Nos. 14B, 14E, 14R, 24B, 24E, 24R | LH | 2817471CD | 1 | 35 | X | X | | | | X | |
| | | RH | 2817472CD | 1 | 35 | X | X | | | | X | |
| | TRIM Nos. 16E, 16G, 16R, 16T | LH | 2817471CE | 1 | 35 | X | X | | | | X | |
| | | RH | 2817472CE | 1 | 35 | X | X | | | | X | |
| | TRIM Nos. 17A | LH | 2817471BK | 1 | 35 | X | X | | | | X | |
| | | RH | 2817472BK | 1 | 35 | X | X | | | | X | |
| | TRIM Nos. 18E, 18H, 18R, 18U, 28E, 28H, 28R, 28U | LH | 2817471CG | 1 | 35 | X | X | | | | X | |
| | | RH | 2817472CG | 1 | 35 | X | X | | | | X | |
| | TRIM Nos. 19A | LH | 2817471CM | 1 | 35 | X | X | | | | X | |
| | | RH | 2817472CM | 1 | 35 | X | X | | | | X | |
| | TRIM Nos. 19B, 19E, 19G, 19R, 19T | LH | 2817471CJ | 1 | 35 | X | X | | | | X | |
| | | RH | 2817472CJ | 1 | 35 | X | X | | | | X | |
| | TRIM Nos. 19C | LH | 2817471BL | 1 | 35 | X | X | | | | X | |
| | | RH | 2817472BL | 1 | 35 | X | X | | | | X | |
| | TRIM Nos. 30R, 30T | LH | 2817471CY | 1 | 35 | | | | | | X | |
| | | RH | 2817472CY | 1 | 35 | | | | | | X | |
| | TRIM Nos. 32R | LH | 2817471DA | 1 | 35 | | | | | | X | |
| | | RH | 2817472DA | 1 | 35 | | | | | | X | |
| | TRIM Nos. 34R, 34T | LH | 2817471DB | 1 | 35 | | | | | | X | |
| | | RH | 2817472DB | 1 | 35 | | | | | | X | |
| | TRIM Nos. 35R | LH | 2817471DC | 1 | 35 | | | | | | X | |
| | | RH | 2817472DC | 1 | 35 | | | | | | X | |
| | TRIM Nos. 36R, 36T | LH | 2817471DE | 1 | 35 | | | | | | X | |
| | | RH | 2817472DE | 1 | 35 | | | | | | X | |
| | TRIM Nos. 38R, 38T | LH | 2817471DF | 1 | 35 | | | | | | X | |
| | | RH | 2817472DF | 1 | 35 | | | | | | X | |
| | TRIM Nos. 39R, 39T | RH | 2817471DG | 1 | 35 | | | | | | X | |
| | | RH | 2817472DG | 1 | 35 | | | | | | X | |

"HQ" PARTS CATALOGUE

| GROUP | DESCRIPTION | SIDE | PART No. | QTY. | BODY STYLE | 801 802 | 803 804 | 808 | 811 812 | 814 | 815 816 | 818 |
|---|--|------|-----------|------|------------|------------|------------|-----|------------|-----|------------|-----|
| 15.100 FASTENER – Rear quarter side inner extension trim | | | | | | | | | | | | |
| | TRIM Nos. 10A, 10B, 10E, 10G, 10H, 10R, 10T, 10U, 30A, 30B, 30E, 30G, 30H, 30R, 30T | | SP1838BA | AR | 35 | X | X | | X | | | |
| | TRIM Nos. 11A, 11B, 11E, 11G, 11R, 11T, 21A, 21B, 21E, 21G, 21R, 21T | | SP1838CA | AR | 35 | X | X | | X | | | |
| | TRIM Nos. 12A, 12B, 12E, 12R, 22A, 22B, 22E, 22R | | SP1838CB | AR | 35 | X | X | | X | | | |
| | TRIM Nos. 14A, 14B, 14E, 14R, 24A, 24B, 24E, 24R | | SP1838CD | AR | 35 | X | X | | X | | | |
| | TRIM Nos. 16E, 16G, 16R, 16T | | SP1838CE | AR | 35 | X | X | | X | | | |
| | TRIM Nos. 17A | | SP1838BK | AR | 35 | X | X | | X | | | |
| | TRIM Nos. 18E, 18H, 18R, 18U, 28E, 28H, 28R, 28U | | SP1838CG | AR | 35 | X | X | | X | | | |
| | TRIM Nos. 19E, 19G, 19R, 19T | | SP1838CJ | AR | 35 | X | X | | X | | | |
| | TRIM Nos. 19C | | SP1838BL | AR | 35 | X | X | | X | | | |
| | TRIM Nos. 32A, 32B, 32E, 32R | | SP1838DA | AR | 35 | X | X | | X | | | |
| | TRIM Nos. 34A, 34B, 34E, 34G, 34R, 34T | | SP1838DB | AR | 35 | X | X | | X | | | |
| | TRIM Nos. 35A, 35B, 35E, 35G | | SP1838DD | AR | 35 | X | X | | X | | | |
| | TRIM Nos. 35R | | SP1838DC | AR | 35 | X | X | | X | | | |
| | TRIM Nos. 36E, 36G, 36R, 36T | | SP1838DE | AR | 35 | X | X | | X | | | |
| | TRIM Nos. 38E, 38G, 38A, 38B, 38E, 38G, 38R, 38T | | SP1838DG | AR | 35 | X | X | | X | | | |
| | TRIM Nos. 38R, 38T | | SP1838DF | AR | 35 | X | X | | X | | | |
| 15.100 TRIM ASSY. – Rear quarter | | | | | | | | | | | | |
| | TRIM Nos. 10E, 10R, 10S, 10X, 10Y, 10Z | LH | 2817533BA | 1 | 37 | | X | X | X | | | X |
| | | RH | 2817534BA | 1 | 37 | | X | X | X | | | X |
| | TRIM Nos. 11E, 11R, 11S, 11X, 11Y, 21E, 21R, 21S, 21X, 21Y | LH | 2817533CA | 1 | 37 | | X | X | X | | | X |
| | | RH | 2817534CA | 1 | 37 | | X | X | X | | | X |
| | TRIM Nos. 12E, 12R, 22E, 22R | LH | 2817533CB | 1 | 37 | | X | X | X | | | X |
| | | RH | 2817534CB | 1 | 37 | | X | X | X | | | X |
| | TRIM Nos. 14E, 14R, 14X, 14Y, 24E, 24R, 24X, 24Y | LH | 2817533CD | 1 | 37 | | X | X | X | | | X |
| | | RH | 2817534CD | 1 | 37 | | X | X | X | | | X |
| | TRIM Nos. 16R, 16X, 16Y | LH | 2817533CE | 1 | 37 | | X | X | X | | | X |
| | | RH | 2817534CE | 1 | 37 | | X | X | X | | | X |
| | TRIM Nos. 18E, 18R, 18S, 18X, 18Y, 28E, 28R, 28S | LH | 2817533CG | 1 | 37 | | X | X | X | | | X |
| | | RH | 2817534CG | 1 | 37 | | X | X | X | | | X |
| | TRIM Nos. 19E, 19R, 19S, 19X, 19Y | LH | 2817533CJ | 1 | 37 | | X | X | X | | | X |
| | | RH | 2817534CJ | 1 | 37 | | X | X | X | | | X |
| | TRIM Nos. 30E, 30G, 30H, 30R, 30T, 30X, 30Y | LH | 2817533CY | 1 | 37 | | X | X | X | | | X |
| | | RH | 2817534CY | 1 | 37 | | X | X | X | | | X |
| | TRIM Nos. 32E, 32R | LH | 2817533DA | 1 | 37 | | X | X | X | | | X |
| | | RH | 2817534DA | 1 | 37 | | X | X | X | | | X |
| | TRIM Nos. 34E, 34G, 34R, 34T, 34X, 34Y | LH | 2817533DB | 1 | 37 | | X | X | X | | | X |
| | | RH | 2817534DB | 1 | 37 | | X | X | X | | | X |
| | TRIM Nos. 35E, 35G, 35R, 35X, 35Y | LH | 2817533DC | 1 | 37 | | X | X | X | | | X |
| | | RH | 2817534DC | 1 | 37 | | X | X | X | | | X |
| | TRIM Nos. 36E, 36G, 36R, 36T, 36X, 36Y | LH | 2817533DE | 1 | 37 | | X | X | X | | | X |
| | | RH | 2817534DE | 1 | 37 | | X | X | X | | | X |
| | TRIM Nos. 38E, 38G, 38R, 38T, 38X, 38Y | LH | 2817533DF | 1 | 37 | | X | X | X | | | X |
| | | RH | 2817534DF | 1 | 37 | | X | X | X | | | X |
| | TRIM Nos. 39E, 39G, 39R, 39T, 39X, 39Y | LH | 2817533DG | 1 | 37 | | X | X | X | | | X |
| | | RH | 2817534DG | 1 | 37 | | X | X | X | | | X |
| | CAP – Clip sealing | | 7410830 | 4 | 37 | | X | X | X | | | X |
| 15.100 TRIM ASSEMBLY – Rear quarter lower | | | | | | | | | | | | |
| | TRIM Nos. 10E, 10R, 10S, 10X, 10Y, 10Z | LH | D889BA | 1 | 37 | | X | X | X | | | X |
| | | RH | D888DA | 1 | 37 | | X | X | X | | | X |
| | TRIM Nos. 11E, 11R, 11S, 11X, 11Y, 21E, 21R, 21S, 21X, 21Y | LH | D889CA | 1 | 37 | | X | X | X | | | X |
| | | RH | D888CA | 1 | 37 | | X | X | X | | | X |
| | TRIM Nos. 12E, 12R, 22E, 22R | LH | D889CB | 1 | 37 | | X | X | X | | | X |
| | | RH | D888CB | 1 | 37 | | X | X | X | | | X |
| | TRIM Nos. 14E, 14R, 14X, 14Y, 24E, 24R, 24X, 24Y | LH | D889CD | 1 | 37 | | X | X | X | | | X |
| | | RH | D888CD | 1 | 37 | | X | X | X | | | X |
| | TRIM Nos. 16R, 16X, 16Y | LH | D889CE | 1 | 37 | | X | X | X | | | X |
| | | RH | D888CE | 1 | 37 | | X | X | X | | | X |

BODY

"HQ" PARTS CATALOGUE

| GROUP | DESCRIPTION | SIDE | PART No. | QTY. | BODY STYLE | 801 802 | 803 804 | 808 | 811 812 | 814 | 815 816 | 818 |
|---------------|--|------|----------|------|------------|------------|------------|-----|------------|-----|------------|-----|
| 15.100 | TRIM ASSEMBLY – Rear quarter lower (contd.) | | | | | | | | | | | |
| | TRIM Nos. 18E, 18R, 18S, 18X, 18Y, 28E, 28R, 28S | LH | D889CG | 1 | 37 | | X | X | X | | | X |
| | | RH | D888CG | 1 | | | X | X | X | | | X |
| | TRIM Nos. 19E, 19R, 19S, 19X, 19Y | LH | D889CJ | 1 | 37 | | X | X | X | | | X |
| | | RH | D888CJ | 1 | 37 | | X | X | X | | | X |
| | TRIM Nos. 30E, 30G, 30H, 30R, 30T, 30X, 30Y | LH | D889CY | 1 | 37 | | X | X | X | | | X |
| | | RH | D888CY | 1 | 37 | | X | X | X | | | X |
| | TRIM Nos. 32E, 32R | LH | D889DA | 1 | 37 | | X | X | X | | | X |
| | | RH | D888DA | 1 | 37 | | X | X | X | | | X |
| | TRIM Nos. 34E, 34G, 34R, 34T, 34X, 34Y | LH | D889DB | 1 | 37 | | X | X | X | | | X |
| | | RH | D888DB | 1 | 37 | | X | X | X | | | X |
| | TRIM Nos. 35E, 35G, 35R, 35X, 35Y | LH | D889DC | 1 | 37 | | X | X | X | | | X |
| | | RH | D888DC | 1 | 37 | | X | X | X | | | X |
| | TRIM Nos. 36E, 36G, 36R, 36T, 36X, 36Y | LH | D889DE | 1 | 37 | | X | X | X | | | X |
| | | RH | D888DE | 1 | 37 | | X | X | X | | | X |
| | TRIM Nos. 38E, 38G, 38R, 38T, 38X, 38Y | LH | D889DF | 1 | 37 | | X | X | X | | | X |
| | | RH | D888DF | 1 | 37 | | X | X | X | | | X |
| | TRIM Nos. 39E, 39G, 39R, 39T, 39X, 39Y | LH | D889DG | 1 | 37 | | X | X | X | | | X |
| | | RH | D888DG | 1 | 37 | | X | X | X | | | X |
| | TRIM Nos. 10A, 10B, 10E | LH | D471BA | 1 | 60, 80 | X | X | | | | | |
| | | RH | D470BA | 1 | 60, 80 | X | X | | | | | |
| | TRIM Nos. 11A, 21A | LH | D471CK | 1 | 60, 80 | X | X | | | | | |
| | | RH | D470CK | 1 | 60, 80 | X | X | | | | | |
| | TRIM Nos. 11B, 11E, 21B, 21E | LH | D471CA | 1 | 60, 80 | X | X | | | | | |
| | | RH | D470CA | 1 | 60, 80 | X | X | | | | | |
| | TRIM Nos. 12A, 22A | LH | D471CL | 1 | 60, 80 | X | X | | | | | |
| | | RH | D470CL | 1 | 60, 80 | X | X | | | | | |
| | TRIM Nos. 12B, 12E, 22B, 22E | LH | D471CB | 1 | 60, 80 | X | X | | | | | |
| | | RH | D470CB | 1 | 60, 80 | X | X | | | | | |
| | TRIM Nos. 14A, 24A | LH | D471CS | 1 | 60, 80 | X | X | | | | | |
| | | RH | D470CS | 1 | 60, 80 | X | X | | | | | |
| | TRIM Nos. 14B, 14E, 24B, 24E | LH | D471CD | 1 | 60, 80 | X | X | | | | | |
| | | RH | D470CD | 1 | 60, 80 | X | X | | | | | |
| | TRIM Nos. 16E | LH | D471CE | 1 | 60, 80 | X | X | | | | | |
| | | RH | D470CE | 1 | 60, 80 | X | X | | | | | |
| | TRIM Nos. 17A | LH | D471BK | 1 | 60, 80 | X | X | | | | | |
| | | RH | D470BK | 1 | 60, 80 | X | X | | | | | |
| | TRIM Nos. 18E, 28E | LH | D471CG | 1 | 60, 80 | X | X | | | | | |
| | | RH | D470CG | 1 | 60, 80 | X | X | | | | | |
| | TRIM Nos. 19A | LH | D471CM | 1 | 60, 80 | X | X | | | | | |
| | | RH | D470CM | 1 | 60, 80 | X | X | | | | | |
| | TRIM Nos. 19B, 19E | LH | D471CJ | 1 | 60, 80 | X | X | | | | | |
| | | RH | D470CJ | 1 | 60, 80 | X | X | | | | | |
| | TRIM Nos. 19C | LH | D471BL | 1 | 60, 80 | X | X | | | | | |
| | | RH | D470BL | 1 | 60, 80 | X | X | | | | | |
| | TRIM Nos. 30A, 30B, 30E | LH | D471CY | 1 | 60, 80 | X | X | | | | | |
| | | RH | D470CY | 1 | 60, 80 | X | X | | | | | |
| | TRIM Nos. 32A | LH | D471DJ | 1 | 60, 80 | X | X | | | | | |
| | | RH | D470DJ | 1 | 60, 80 | X | X | | | | | |
| | TRIM Nos. 32B, 32E | LH | D471DA | 1 | 60, 80 | X | X | | | | | |
| | | RH | D470DA | 1 | 60, 80 | X | X | | | | | |
| | TRIM Nos. 34A | LH | D471DK | 1 | 60, 80 | X | X | | | | | |
| | | RH | D470DK | 1 | 60, 80 | X | X | | | | | |
| | TRIM Nos. 34B, 34E | LH | D471DB | 1 | 60, 80 | X | X | | | | | |
| | | RH | D470DB | 1 | 60, 80 | X | X | | | | | |
| | TRIM Nos. 35A | LH | D471DL | 1 | 60, 80 | X | X | | | | | |
| | | RH | D470DL | 1 | 60, 80 | X | X | | | | | |
| | TRIM Nos. 35B, 35E | LH | D471DC | 1 | 60, 80 | X | X | | | | | |
| | | RH | D470DC | 1 | 60, 80 | X | X | | | | | |
| | TRIM Nos. 36E | LH | D471DE | 1 | 60, 80 | X | X | | | | | |
| | | RH | D470DE | 1 | 60, 80 | X | X | | | | | |

"HQ" PARTS CATALOGUE

| GROUP | DESCRIPTION | SIDE | PART No. | QTY. | BODY STYLE | 801 802 | 803 804 | 808 | 811 812 | 814 | 815 816 | 818 |
|---|-------------|------|------------------------|------|------------|------------|------------|-----|------------|-----|------------|-----|
| 15.100 TRIM ASSEMBLY – Rear quarter lower (contd.) | | | | | | | | | | | | |
| TRIM Nos. 38E | LH | RH | D471DF | 1 | 60, 80 | X | X | | | | | |
| | | | D470DF | 1 | 60, 80 | X | X | | | | | |
| TRIM Nos. 39A | LH | RH | D471DM | 1 | 60, 80 | X | X | | | | | |
| | | | D470DM | 1 | 60, 80 | X | X | | | | | |
| TRIM Nos. 39B, 39E | LH | RH | D471DG | 1 | 60, 80 | X | X | | | | | |
| | | | D470DG | 1 | 60, 80 | X | X | | | | | |
| 15.100 TRIM ASSEMBLY – Rear quarter side lower | | | | | | | | | | | | |
| TRIM Nos. 10A, 10B, 10C, 10D, 10E, 10G, 10H 10R, 10T, 10U | LH | RH | (⁶⁸ D217BA | 1 | 69 | X | X | | X | | | |
| | | | (⁶⁸ D218BA | 1 | 69 | X | X | | X | | | |
| TRIM Nos. 11A, 21A | LH | RH | (⁶⁸ D217CK | 1 | 69 | X | X | | X | | | |
| | | | (⁶⁸ D218CK | 1 | 69 | X | X | | X | | | |
| TRIM Nos. 11B, 11E, 11G, 11R, 11T, 21B, 21E 21G, 21R, 21T | LH | RH | (⁶⁸ D217CA | 1 | 69 | X | X | | X | | | |
| | | | (⁶⁸ D218CA | 1 | 69 | X | X | | X | | | |
| TRIM Nos. 12A, 22A | LH | RH | (⁶⁸ D217CL | 1 | 69 | X | X | | X | | | |
| | | | (⁶⁸ D218CL | 1 | 69 | X | X | | X | | | |
| TRIM Nos. 12B, 12E, 12R, 22B, 22E, 22R | LH | RH | (⁶⁸ D217CB | 1 | 69 | X | X | | X | | | |
| | | | (⁶⁸ D218CB | 1 | 69 | X | X | | X | | | |
| TRIM Nos. 14A, 24A | LH | RH | (⁶⁸ D217CS | 1 | 69 | X | X | | X | | | |
| | | | (⁶⁸ D218CS | 1 | 69 | X | X | | X | | | |
| TRIM Nos. 14B, 14E, 14R, 24B, 24E, 24R | LH | RH | (⁶⁸ D217CD | 1 | 69 | X | X | | X | | | |
| | | | (⁶⁸ D218CD | 1 | 69 | X | X | | X | | | |
| TRIM Nos. 16E, 16G, 16R, 16T | RH | RH | (⁶⁸ D217CE | 1 | 69 | X | X | | X | | | |
| | | | (⁶⁸ D218CE | 1 | 69 | X | X | | X | | | |
| TRIM Nos. 17A | LH | RH | (⁶⁸ D217BK | 1 | 69 | X | X | | X | | | |
| | | | (⁶⁸ D218BK | 1 | 69 | X | X | | X | | | |
| TRIM Nos. 18E, 18H, 18R, 18U, 28E, 28H, 28R, 28U | LH | RH | (⁶⁸ D217CG | 1 | 69 | X | X | | X | | | |
| | | | (⁶⁸ D218CG | 1 | 69 | X | X | | X | | | |
| TRIM Nos. 19A | LH | RH | (⁶⁸ D217CM | 1 | 69 | X | X | | X | | | |
| | | | (⁶⁸ D218CM | 1 | 69 | X | X | | X | | | |
| TRIM Nos. 19B, 19E, 19G, 19R, 19T | LH | RH | (⁶⁸ D217CJ | 1 | 69 | X | X | | X | | | |
| | | | (⁶⁸ D218CJ | 1 | 69 | X | X | | X | | | |
| TRIM Nos. 19C | LH | RH | (⁶⁸ D217BL | 1 | 69 | X | X | | X | | | |
| | | | (⁶⁸ D218BL | 1 | 69 | X | X | | X | | | |
| TRIM Nos. 10A, 10B, 10C, 10D, 10E, 10G, 10H, 10R, 10T, 10U | LH | RH | (⁶⁸ E409BA | 1 | 69 | X | X | | X | | | |
| | | | (⁶⁸ E408BA | 1 | 69 | X | X | | X | | | |
| TRIM Nos. 11A, 21A | LH | RH | (⁶⁸ E409CK | 1 | 69 | X | X | | X | | | |
| | | | (⁶⁸ E408CK | 1 | 69 | X | X | | X | | | |
| TRIM Nos. 11B, 11E, 11G, 11R, 11T, 21B, 21E, 21G, 21R, 21T | LH | RH | (⁶⁸ E409CA | 1 | 69 | X | X | | X | | | |
| | | | (⁶⁸ E408CA | 1 | 69 | X | X | | X | | | |
| TRIM Nos. 12A, 22A | LH | RH | (⁶⁸ E409CL | 1 | 69 | X | X | | X | | | |
| | | | (⁶⁸ E408CL | 1 | 69 | X | X | | X | | | |
| TRIM Nos. 12B, 12E, 12R, 22B, 22E, 22R | LH | RH | (⁶⁸ E409CB | 1 | 69 | X | X | | X | | | |
| | | | (⁶⁸ E408CB | 1 | 69 | X | X | | X | | | |
| TRIM Nos. 14A, 24A | LH | RH | (⁶⁸ E409CS | 1 | 69 | X | X | | X | | | |
| | | | (⁶⁸ E408CS | 1 | 69 | X | X | | X | | | |
| TRIM Nos. 14B, 14E, 14R, 24B, 24E, 24R | LH | RH | (⁶⁸ E409CD | 1 | 69 | X | X | | X | | | |
| | | | (⁶⁸ E408CD | 1 | 69 | X | X | | X | | | |
| TRIM Nos. 16E, 16G, 16R, 16T | LH | RH | (⁶⁸ E409CE | 1 | 69 | X | X | | X | | | |
| | | | (⁶⁸ E408CE | 1 | 69 | X | X | | X | | | |
| TRIM Nos. 17A | LH | RH | (⁶⁸ E409BK | 1 | 69 | X | X | | X | | | |
| | | | (⁶⁸ E408BK | 1 | 69 | X | X | | X | | | |
| TRIM Nos. 18E, 18H, 18R, 18U, 28E, 28H, 28R, 28U | LH | RH | (⁶⁸ E409CG | 1 | 69 | X | X | | X | | | |
| | | | (⁶⁸ E408CG | 1 | 69 | X | X | | X | | | |
| TRIM Nos. 19A | LH | RH | (⁶⁸ E409CM | 1 | 69 | X | X | | X | | | |
| | | | (⁶⁸ E408CM | 1 | 69 | X | X | | X | | | |
| Note: (⁶⁸ Houndstooth Insert 13" x 13". (⁶⁸ Trim finishes midway up dog-leg. (⁶⁸ Trim finishes at belt line. | | | | | | | | | | | | |

"HQ" PARTS CATALOGUE

| GROUP | DESCRIPTION | SIDE | PART No. | QTY. | BODY STYLE | 801 802 | 803 804 | 808 | 811 812 | 814 | 815 816 | 818 |
|---------------|--|------|------------------------|------|------------|------------|------------|-----|------------|-----|------------|-----|
| 15.100 | TRIM ASSEMBLY – Rear quarter side lower (contd.) | | | | | | | | | | | |
| | TRIM Nos. 19B, 19E, 19G, 19R, 19T | LH | (⁴⁴ E409CJ | 1 | 69 | X | X | | X | | | |
| | | RH | (⁴⁴ E408CJ | 1 | 69 | X | X | | X | | | |
| | TRIM Nos. 19C | LH | (⁴⁴ E409BL | 1 | 69 | X | X | | X | | | |
| | | RH | (⁴⁴ E408BL | 1 | 69 | X | X | | X | | | |
| | TRIM Nos. 30A, 30B, 30E, 30G, 30H, 30R, 30T, 30X, 30Y | LH | (⁴⁴ E409CY | 1 | 69 | X | X | | X | | | |
| | | RH | (⁴⁴ E408CY | 1 | 69 | X | X | | X | | | |
| | TRIM Nos. 32A | LH | (⁴⁴ E409DJ | 1 | 69 | X | X | | X | | | |
| | | RH | (⁴⁴ E408DJ | 1 | 69 | X | X | | X | | | |
| | TRIM Nos. 32B, 32E, 32R | LH | (⁴⁴ E409DA | 1 | 69 | X | X | | X | | | |
| | | RH | (⁴⁴ E408DA | 1 | 69 | X | X | | X | | | |
| | TRIM Nos. 34A | LH | (⁴⁴ E409DK | 1 | 69 | X | X | | X | | | |
| | | RH | (⁴⁴ E408DK | 1 | 69 | X | X | | X | | | |
| | TRIM Nos. 34B, 34E, 34G, 34R, 34T, 34X, 34Y | LH | (⁴⁴ E409DB | 1 | 69 | X | X | | X | | | |
| | | RH | (⁴⁴ E408DB | 1 | 69 | X | X | | X | | | |
| | TRIM Nos. 35A | LH | (⁴⁴ E409DL | 1 | 69 | X | X | | X | | | |
| | | RH | (⁴⁴ E408DL | 1 | 69 | X | X | | X | | | |
| | TRIM Nos. 35B, 35E, 35G, 35R, 35X, 35Y | LH | (⁴⁴ E409DC | 1 | 69 | X | X | | X | | | |
| | | RH | (⁴⁴ E408DC | 1 | 69 | X | X | | X | | | |
| | TRIM Nos. 36E, 36G, 36R, 36T, 36X, 36Y | LH | (⁴⁴ E409DE | 1 | 69 | X | X | | X | | | |
| | | RH | (⁴⁴ E408DE | 1 | 69 | X | X | | X | | | |
| | TRIM Nos. 38E, 38G, 38R, 38T, 38X, 38Y | LH | (⁴⁴ E409DF | 1 | 69 | X | X | | X | | | |
| | | RH | (⁴⁴ E408DF | 1 | 69 | X | X | | X | | | |
| | TRIM Nos. 39A | LH | (⁴⁴ E409DM | 1 | 69 | X | X | | X | | | |
| | | RH | (⁴⁴ E408DM | 1 | 69 | X | X | | X | | | |
| | TRIM Nos. 39B, 39E, 39G, 39R, 39T, 39X, 39Y | LH | (⁴⁴ E409DG | 1 | 69 | X | X | | X | | | |
| | | RH | (⁴⁴ E408DG | 1 | 69 | X | X | | X | | | |
| | TRIM Nos. 10M, 10N, 10R, 10T, 10U | LH | (⁴³ D811BA | 1 | 69 | | | | | X | X | |
| | | RH | (⁴³ D812BA | 1 | 69 | | | | | X | X | |
| | TRIM Nos. 11M, 11N, 11R, 11T, 21M, 21N, 21R, 21T | LH | (⁴³ D811CA | 1 | 69 | | | | | X | X | |
| | | RH | (⁴³ D812CA | 1 | 69 | | | | | X | X | |
| | TRIM Nos. 12R, 22R | LH | (⁴³ D811CB | 1 | 69 | | | | | X | X | |
| | | RH | (⁴³ D812CB | 1 | 69 | | | | | X | X | |
| | TRIM Nos. 14M, 14R, 24R | LH | (⁴³ D811CD | 1 | 69 | | | | X | X | | |
| | | RH | (⁴³ D812CD | 1 | 69 | | | | X | X | | |
| | TRIM Nos. 16R, 16T | LH | (⁴³ D811CE | 1 | 69 | | | | X | X | | |
| | | RH | (⁴³ D812CE | 1 | 69 | | | | X | X | | |
| | TRIM Nos. 18M, 18N, 18R, 18U, 28M, 28N, 28R, 28U | LH | (⁴³ D811CG | 1 | 69 | | | | X | X | | |
| | | RH | (⁴³ D812CG | 1 | 69 | | | | X | X | | |
| | TRIM Nos. 19M, 19N, 19R, 19T | LH | (⁴³ D811CJ | 1 | 69 | | | | X | X | | |
| | | RH | (⁴³ D812CJ | 1 | 69 | | | | X | X | | |
| | TRIM Nos. 30M, 30N, 30R, 30T | LH | (⁴³ D811CY | 1 | 69 | | | | X | X | | |
| | | RH | (⁴³ D812CY | 1 | 69 | | | | X | X | | |
| | TRIM Nos. 32R | LH | (⁴³ D811DA | 1 | 69 | | | | X | X | | |
| | | RH | (⁴³ D812DA | 1 | 69 | | | | X | X | | |
| | TRIM Nos. 34M, 34N, 34R, 34T | LH | (⁴³ D811DB | 1 | 69 | | | | X | X | | |
| | | RH | (⁴³ D812DB | 1 | 69 | | | | X | X | | |
| | TRIM Nos. 35M, 35N, 35R | LH | (⁴³ D811DC | 1 | 69 | | | | X | X | | |
| | | RH | (⁴³ D812DC | 1 | 69 | | | | X | X | | |
| | TRIM Nos. 36R, 36T | LH | (⁴³ D811DE | 1 | 69 | | | | X | X | | |
| | | RH | (⁴³ D812DE | 1 | 69 | | | | X | X | | |
| | TRIM Nos. 38M, 38N, 38R, 38T | LH | (⁴³ D811DF | 1 | 69 | | | | X | X | | |
| | | RH | (⁴³ D812DF | 1 | 69 | | | | X | X | | |
| | TRIM Nos. 39M, 39N, 39R, 39T | LH | (⁴³ D811DG | 1 | 69 | | | | X | X | | |
| | | RH | (⁴³ D812DG | 1 | 69 | | | | X | X | | |
| | TRIM Nos. 10M, 10N, 10R, 10T, 10U | LH | (⁴⁴ E411BA | 1 | 69 | | | | X | X | | |
| | | RH | (⁴⁴ E410BA | 1 | 69 | | | | X | X | | |
| | TRIM Nos. 11M, 11N, 11R, 11T, 21M, 21N, 21R, 21T | LH | (⁴⁴ E411CA | 1 | 69 | | | | X | X | | |
| | | RH | (⁴⁴ E410CA | 1 | 69 | | | | X | X | | |
| | TRIM Nos. 12R, 22R | LH | (⁴⁴ E411CB | 1 | 69 | | | | X | X | | |
| | | RH | (⁴⁴ E410CB | 1 | 69 | | | | X | X | | |

Note: (⁴³ Trim finishes midway up dog-leg.
(⁴⁴ Trim finishes at belt line.

"HQ" PARTS CATALOGUE

| GROUP | DESCRIPTION | SIDE | PART No. | QTY. | BODY STYLE | 801 802 | 803 804 | 808 | 811 812 | 814 | 815 816 | 818 |
|--|---|------|------------|------|------------|------------|------------|-----|------------|-----|------------|-----|
| 15.100 TRIM ASSEMBLY – Rear quarter side lower (contd.) | | | | | | | | | | | | |
| | TRIM Nos. 14M, 14R, 24R | LH | (** E411CD | 1 | 69 | | | | | X | X | |
| | | RH | (** E410CD | 1 | 69 | | | | | X | X | |
| | TRIM Nos. 16R, 16T | LH | (** E411CE | 1 | 69 | | | | | X | X | |
| | | RH | (** E410CE | 1 | 69 | | | | | X | X | |
| | TRIM Nos. 18M, 18N, 18R, 18U, 28M, 28N, 28R, 28U | LH | (** E411CG | 1 | 69 | | | | | X | X | |
| | | RH | (** E410CG | 1 | 69 | | | | | X | X | |
| | TRIM Nos. 19M, 19N, 19R, 19T | LH | (** E411CJ | 1 | 69 | | | | | X | X | |
| | | RH | (** E410CJ | 1 | 69 | | | | | X | X | |
| | TRIM Nos. 30M, 30N, 30R, 30T | LH | (** E411CY | 1 | 69 | | | | | X | X | |
| | | RH | (** E410CY | 1 | 69 | | | | | X | X | |
| | TRIM Nos. 32R | LH | (** E411DA | 1 | 69 | | | | | X | X | |
| | | RH | (** E410DA | 1 | 69 | | | | | X | X | |
| | TRIM Nos. 34M, 34N, 34R, 34T | LH | (** E411DB | 1 | 69 | | | | | X | X | |
| | | RH | (** E410DB | 1 | 69 | | | | | X | X | |
| | TRIM Nos. 35M, 35N, 35R | LH | (** E411DC | 1 | 69 | | | | | X | X | |
| | | RH | (** E410DC | 1 | 69 | | | | | X | X | |
| | TRIM Nos. 36R, 36T | LH | (** E411DE | 1 | 69 | | | | | X | X | |
| | | RH | (** E410DE | 1 | 69 | | | | | X | X | |
| | TRIM Nos. 38M, 38N, 38R, 38T | LH | (** E411DF | 1 | 69 | | | | | X | X | |
| | | RH | (** E410DF | 1 | 69 | | | | | X | X | |
| | TRIM Nos. 39M, 39N, 39R, 39T | LH | (** E411DG | 1 | 69 | | | | | X | X | |
| | | RH | (** E410DG | 1 | 69 | | | | | X | X | |
| 15.101 RETAINER – Rear quarter & wheelhouse trim | | | | | | | | | | | | |
| | RETAINER | LH | 2815401 | 1 | 35 | X | X | | X | | | |
| | | RH | 2815400 | 1 | 35 | X | X | | X | | | |
| | RETAINER | | 2814937 | 4 | 37 | | X | X | X | | | X |
| 15.222 COVER ASSY. – Spare wheel | | | | | | | | | | | | |
| | COVER ASSY. | | 2820510 | 1 | 37, 69 | X | X | X | X | X | X | X |
| | STUD – Fastener clinch type "A" | | SP1226 | 1 | 37, 69 | X | X | X | X | X | X | X |
| | SOCKET – Fastener type "A" | | SP1018 | 1 | 37, 69 | X | X | X | X | X | X | X |
| | BUTTON – ¼" Barrel fastener type "A" | | SP1020 | 1 | 37, 69 | X | X | X | X | X | X | X |
| | EYELET – ¼" Barrel fastener type "A" | | SP1238 | 1 | 37, 69 | X | X | X | X | X | X | X |
| 15.280 INSULATOR – Dash panel | | | | | | | | | | | | |
| | INSULATOR | | 2819876 | 1 | ALL | X | X | X | X | X | X | X |
| | SILENCER – Plenum chamber, left side | | D857 | 1 | ALL | X | X | X | X | X | X | X |
| | SILENCER – Plenum chamber, right side | | D856 | 1 | ALL | X | X | X | X | X | X | X |
| 15.282 FASTENER – Dash panel insulator | | | | | | | | | | | | |
| | FASTENER | | 3730562 | 2 | ALL | X | X | X | X | X | X | X |
| 15.286 MAT ASSY. – Front floor (exc. Heavy Duty) | | | | | | | | | | | | |
| | TRIM Nos. 10A, 10B, 10E, 10G, 10H, 11A, 11B, 12A, 12B, 14A, 14B, 17A, 19A, 19B, 19C, 21A, 21B, 22A, 22B, 24A, 24B, 28E, 28H, 30A, 30B, 30E, 30G, 30H, 32A, 32B, 34A, 34B, 35A, 35B, 39A 39B | | 2814973BA | 1 | ALL | X | X | | | | | |
| | TRIM Nos. 11E, 11G | | 2814973CA | 1 | ALL | X | X | | | | | |
| | TRIM Nos. 12E, 22E | | 2814973CB | 1 | ALL | X | X | | | | | |
| | TRIM Nos. 14E, 24E | | 2814973CD | 1 | ALL | X | X | | | | | |
| | TRIM Nos. 16E, 16G | | 2814973CE | 1 | ALL | X | X | | | | | |
| | TRIM Nos. 18E, 18H | | 2814973CH | 1 | ALL | X | X | | | | | |
| | TRIM Nos. 19E, 19G, 21E, 21G | | 2814973CJ | 1 | ALL | X | X | | | | | |
| Note: (** Trim finishes at belt line. | | | | | | | | | | | | |

"HQ" PARTS CATALOGUE

| GROUP | DESCRIPTION | SIDE | PART No. | QTY. | BODY STYLE | 801 802 | 803 804 | 808 | 811 812 | 814 | 815 816 | 818 |
|---------------|--|------|-----------|------|------------|------------|------------|-----|------------|-----|------------|-----|
| 15.286 | MAT ASSY. – Front floor (exc. Heavy Duty) (contd.) | | | | | | | | | | | |
| | TRIM Nos. 32E | | 2814973DA | 1 | ALL | X | X | | | | | |
| | TRIM Nos. 34E, 34G | | 2814973DB | 1 | ALL | X | X | | | | | |
| | TRIM Nos. 35E, 35G | | 2814973DD | 1 | ALL | X | X | | | | | |
| | TRIM Nos. 36E, 36G | | 2814973DE | 1 | ALL | X | X | | | | | |
| | TRIM Nos. 38E, 38G, 39E, 39G | | 2814973DG | 1 | ALL | X | X | | | | | |
| 15.286 | MAT ASSY. – Front floor (Heavy Duty) | | | | | | | | | | | |
| | TRIM Nos. 10A, 10E, 10G, 10H, 11A, 12A, 14A, 17A, 19A, 19C, 21A, 22A, 24A, 28E, 28H, 30A, 30E, 30G, 30H, 32A, 34A, 35A, 39A | | 2814981BA | 1 | 69 | X | X | | | | | |
| | TRIM Nos. 11E, 11G | | 2814981CA | 1 | 69 | X | X | | | | | |
| | TRIM Nos. 12E, 22E | | 2814981CB | 1 | 69 | X | X | | | | | |
| | TRIM Nos. 14E, 24E | | 2814981CD | 1 | 69 | X | X | | | | | |
| | TRIM Nos. 16E, 16G | | 2814981CE | 1 | 69 | X | X | | | | | |
| | TRIM Nos. 18E, 18H | | 2814981CH | 1 | 69 | X | X | | | | | |
| | TRIM Nos. 19E, 19G, 21E, 21G | | 2814981CJ | 1 | 69 | X | X | | | | | |
| | TRIM Nos. 32E | | 2814981DA | 1 | 69 | X | X | | | | | |
| | TRIM Nos. 34E, 34G | | 2814981DB | 1 | 69 | X | X | | | | | |
| | TRIM Nos. 35E, 35G | | 2814981DD | 1 | 69 | X | X | | | | | |
| | TRIM Nos. 36E, 36G | | 2814981DE | 1 | 69 | X | X | | | | | |
| | TRIM Nos. 38E, 38G, 39E, 39G | | 2814981DG | 1 | 69 | X | X | | | | | |
| 15.286 | CARPET – Front floor | | | | | | | | | | | |
| | TRIM Nos. 10C, 10E, 10G, 10H, 10R, 10S, 10T, 10U, 10X, 10Y, 10Z, 18X, 18Y, 28E, 28H, 28R, 28S, 28U, 30E, 30G, 30H, 30R, 30T, 30X, 30Y, 35X, 35Y | | 2814982BA | 1 | 35, 37, 69 | X | X | X | X | | X | X |
| | TRIM Nos. 11E, 11G, 11R, 11S, 11T, 11X, 11Y | | 2814982CA | 1 | 35, 37, 69 | | X | X | X | | X | X |
| | TRIM Nos. 12E, 12R, 22E, 22R | | 2814982CB | 1 | 35, 37, 69 | | X | X | X | | X | X |
| | TRIM Nos. 14E, 14R, 14X, 14Y, 24E, 24R, 24X, 24Y | | 2814982CD | 1 | 35, 37, 69 | | X | X | X | | X | X |
| | TRIM Nos. 16E, 16G, 16R, 16T, 16X, 16Y | | 2814982CE | 1 | 35, 37, 69 | | X | X | X | | X | X |
| | TRIM Nos. 18E, 18H, 18R, 18S, 18U | | 2814982CH | 1 | 35, 37, 69 | | X | X | X | | X | X |
| | TRIM Nos. 19E, 19G, 19R, 19S, 19T, 19X, 19Y, 21E, 21G, 21R, 21S, 21T, 21X, 21Y | | 2814982CJ | 1 | 35, 37, 69 | | X | X | X | | X | X |
| | TRIM Nos. 32E, 32R | | 2814982DA | 1 | 35, 37, 69 | | X | X | X | | X | X |
| | TRIM Nos. 34E, 34G, 34R, 34T, 34X, 34Y | | 2814982DB | 1 | 35, 37, 69 | | X | X | X | | X | X |
| | TRIM Nos. 35E, 35G, 35R | | 2814982DD | 1 | 35, 37, 69 | | X | X | X | | X | X |
| | TRIM Nos. 36E, 36G, 36R, 36T, 36X, 36Y | | 2814982DE | 1 | 35, 37, 69 | | X | X | X | | X | X |
| | TRIM Nos. 38E, 38G, 38R, 38T, 38X, 38Y, 39E, 39G, 39R, 39T, 39X, 39Y | | 2814982DG | 1 | 35, 37, 69 | | X | X | X | | X | X |
| | TRIM Nos. 10M, 10N, 28M, 28N, 30M, 30N | | 2814983BA | 1 | 69 | | | | | X | | |
| | TRIM Nos. 11M, 11N | | 2814983CA | 1 | 69 | | | | | X | | |
| | TRIM Nos. 14M | | 2814983CD | 1 | 69 | | | | | X | | |
| | TRIM Nos. 18M, 18N | | 2814983CH | 1 | 69 | | | | | X | | |
| | TRIM Nos. 19M, 19N, 21M, 21N | | 2814983CJ | 1 | 69 | | | | | X | | |
| | TRIM Nos. 34M, 34N | | 2814983DB | 1 | 69 | | | | | X | | |
| | TRIM Nos. 35M, 35N | | 2814983DD | 1 | 69 | | | | | X | | |
| | TRIM Nos. 38M, 38N, 39M, 39N | | 2814983DG | 1 | 69 | | | | | X | | |
| 15.288 | LID ASSY. – Seat separator | | | | | | | | | | | |
| | TRIM Nos. 10B, 10E, 10G, 10H, 10M, 10N, 10R, 10S, 10T, 10U | | 2815976BA | 1 | ALL | X | X | | X | X | X | |
| | TRIM Nos. 11B, 11E, 11G, 11M, 11N, 11R, 11S, 11T, 21B, 21E, 21G, 21M, 21N, 21R, 21S, 21T | | 2815976CA | 1 | ALL | X | X | | X | X | X | |
| | TRIM Nos. 12B, 12E, 12R, 22B, 22E, 22R | | 2815976CB | 1 | ALL | X | X | | X | X | X | |
| | TRIM Nos. 14B, 14E, 14M, 14R, 24B, 24E, 24R | | 2815976CD | 1 | ALL | X | X | | X | X | X | |
| | TRIM Nos. 16E, 16G, 16R, 16T | | 2815976CE | 1 | ALL | X | X | | X | X | X | |
| | TRIM Nos. 18E, 18H, 18M, 18N, 18R, 18S, 18U, 28E, 28H, 28M, 28N, 28R, 28S, 28U | | 2815976CG | 1 | ALL | X | X | | X | X | X | |
| | TRIM Nos. 19B, 19E, 19G, 19M, 19N, 19R, 19S, 19T | | 2815976CJ | 1 | ALL | X | X | | X | X | X | |
| | TRIM Nos. 30B, 30E, 30G, 30H, 30M, 30N, 30R, 30T | | 2815976CY | 1 | ALL | X | X | | X | X | X | |
| | TRIM Nos. 32B, 32E, 32R | | 2815976DA | 1 | ALL | X | X | | X | X | X | |

"HQ" PARTS CATALOGUE

| GROUP | DESCRIPTION | SIDE | PART No. | QTY. | BODY STYLE | 801 802 | 803 804 | 808 | 811 812 | 814 | 815 816 | 818 |
|---------------|---|------|-------------------------|------|------------|------------|------------|-----|------------|-----|------------|-----|
| 15.288 | LID ASSY. – Seat separator (contd.) | | | | | | | | | | | |
| | TRIM Nos. 34B, 34E, 34G, 34M, 34N, 34R, 34T | | 2815976DB | 1 | ALL | X | X | | X | X | X | |
| | TRIM Nos. 35B, 35E, 35G, 35M, 35N, 35R | | 2815976DC | 1 | ALL | X | X | | X | X | X | |
| | TRIM Nos. 36E, 36G, 36R, 36T | | 2815976DE | 1 | ALL | X | X | | X | X | X | |
| | TRIM Nos. 38E, 38G, 38M, 38N, 38R, 38T | | 2815976DF | 1 | ALL | X | X | | X | X | X | |
| | TRIM Nos. 39B, 39E, 39G, 39M, 39N, 39R, 39T | | 2815976DG | 1 | ALL | X | X | | X | X | X | |
| 15.289 | COVER ASSY. – Front seat separator lid | | | | | | | | | | | |
| | TRIM Nos. 10B, 10E, 10G, 10H, 10M, 10N, 10R, 10S, 10T, 10U | | 2815980BA | 1 | ALL | X | X | | X | X | X | |
| | TRIM Nos. 11B, 11E, 11G, 11M, 11N, 11R, 11S, 11T, 21B, 21E, 21G, 21M, 21N, 21R, 21S, 21T | | 2815980CA | 1 | ALL | X | X | | X | X | X | |
| | TRIM Nos. 12B, 12E, 12F, 22B, 22E, 22R | | 2815980CB | 1 | ALL | X | X | | X | X | X | |
| | TRIM Nos. 14B, 14E, 14M, 14R, 24B, 24E, 24R | | 2815980CD | 1 | ALL | X | X | | X | X | X | |
| | TRIM Nos. 16E, 16G, 16R, 16T | | 2815980CE | 1 | ALL | X | X | | X | X | X | |
| | TRIM Nos. 18E, 18H, 18M, 18N, 18R, 18S, 18U, 28E, 28H, 28M, 28N, 28R, 28S, 28U | | 2815980CG | 1 | ALL | X | X | | X | X | X | |
| | TRIM Nos. 19B, 19E, 19G, 19M, 19N, 19R, 19S, 19T, | | 2815980CJ | 1 | ALL | X | X | | X | X | X | |
| | TRIM Nos. 30B, 30E, 30G, 30H, 30M, 30N, 30R, 30T | | 2815980CY | 1 | ALL | X | X | | X | X | X | |
| | TRIM Nos. 32B, 32E, 32R | | 2815980DA | 1 | ALL | X | X | | X | X | X | |
| | TRIM Nos. 34B, 34E, 34G, 34M, 34N, 34R, 34T | | 2815980DB | 1 | ALL | X | X | | X | X | X | |
| | TRIM Nos. 35B, 35E, 35G, 35M, 35N, 35R | | 2815980DC | 1 | ALL | X | X | | X | X | X | |
| | TRIM Nos. 36E, 36G, 36R, 36T | | 2815980DE | 1 | ALL | X | X | | X | X | X | |
| | TRIM Nos. 38E, 38G, 38M, 38N, 38R, 38T | | 2815980DF | 1 | ALL | X | X | | X | X | X | |
| | TRIM Nos. 39B, 39E, 39G, 39M, 39N, 39R, 39T | | 2815980DG | 1 | ALL | X | X | | X | X | X | |
| 15.290 | HOUSING, BRACKET – Transmission console | | | | | | | | | | | |
| | HOUSING – Exc. (M) 350 | | 2817026BA | 1 | 35, 37, 69 | X | X | X | X | X | X | |
| | HOUSING – Manual 350 Eng. | | 2817990 | 1 | 69 | | X | | | | | |
| | HOUSING – Manual transmission | | 2817990 | 1 | 37 | | | | | | | X |
| | HOUSING – Automatic transmission | | 2817026 | 1 | 37 | | | | | | | X |
| | BRACKET – Console rear mounting | | 2815991 | 1 | 35, 37, 69 | X | X | X | X | X | X | X |
| | SCREW – Housing to underbody | | SP2251 | 3 | 35, 37, 69 | X | X | X | X | X | X | X |
| 15.291 | CARPET – Console compartment | | | | | | | | | | | |
| | CARPET | | D145 | 1 | 35, 37, 69 | | X | X | X | X | X | X |
| 15.292 | LID ASSY., BUMPER, SPRING, RETAINER – Transmission control housing | | | | | | | | | | | |
| | LID ASSY. – Exc. SS, 4 Door GTS | | 2816801 | 1 | 35, 37, 69 | | X | | | | | |
| | LID ASSY, | | 2816800 | 1 | 35, 37, 69 | | | | X | X | X | |
| | LID – SS, 4 Door GTS | | 2816805 | 1 | 69 | X | X | | | | | |
| | LID | | 2816805 | 1 | 37 | | | X | | | | X |
| | SPRING – Hold open | | 2822287 | 1 | 35, 37, 69 | X | X | X | X | X | X | X |
| | RETAINER – Spring | | 2822564 | 1 | 35, 37, 69 | X | X | X | X | X | X | X |
| | BUMPER – Console lid | | 7438383 | 1 | 35, 37, 69 | X | X | X | X | X | X | X |
| | RETAINER – Console lid | | 2816966 | 2 | 35, 37, 69 | X | X | X | X | X | X | X |
| 15.293 | COVER, INSERT – Transmission control housing | | | | | | | | | | | |
| | COVER – Manual (Console Shift) Exc. SS, 4 Door GTS | | 2817277 | 1 | 35, 37, 69 | | X | | | | | |
| | COVER – Manual (Console Shift) SS, 4 Door GTS | | 2816965 | 1 | 69 | X | X | | | | | |
| | COVER – Manual (Console Shift) | | 2816964 | 1 | 35, 37, 69 | | | | X | | X | |
| | COVER – Manual (Console Shift) | | 2816965 | 1 | 37 | | | X | | | | X |
| | COVER – Automatic (Console Shift) Exc. 4 Door GTS | | 2817704 | 1 | 35, 37, 69 | | X | | | | | |
| | COVER – Automatic (Console Shift) 4 Door GTS | | 2817702 | 1 | 69 | | X | | | | | |
| | COVER – Ashtray aperture (Powerwindows) 4 Door GTS | | 2829910 | 1 | 69 | | X | | | | | |
| | COVER – Automatic (Console Shift) | | 2817702 | 1 | 37 | | | X | | | | X |
| | COVER – Automatic (Console Shift) | | 2817703 | 1 | 35, 37, 69 | | | | X | X | X | |
| | COVER – Ash tray aperture | | (⁴⁸ 2829910 | | 69 | | | | X | X | X | |
| | INSERT – Manual gearshift pattern | | 2818184 | 1 | 35, 37, 89 | | X | X | X | | X | X |

Note: (⁴⁸ Use when ashtray in armrest.

“HQ” PARTS CATALOGUE

| GROUP | DESCRIPTION | SIDE | PART No. | QTY. | BODY STYLE | 801 802 | 803 804 | 808 | 811 812 | 814 | 815 816 | 818 |
|---------------|--|------|-----------|------|------------|------------|------------|-----|------------|-----|------------|-----|
| 15.294 | MAT, CARPET ASSY. – Luggage compartment floor | | | | | | | | | | | |
| | MAT | | 2815698 | 1 | 37, 69 | X | X | X | X | | | X |
| | MAT | | 2815699 | 1 | 69 | | | | | | X | |
| | CARPET ASSY. | | 2816944 | 1 | 69 | | | | | X | | |
| | CARPET | LH | D859 | 1 | 69 | | | | | X | | |
| | | RH | D858 | 1 | 69 | | | | | X | | |
| | CARPET – Centre | | 2824896 | 1 | 69 | | | | | X | | |
| 15.306 | MAT – Rear floor (exc. Heavy Duty) | | | | | | | | | | | |
| | TRIM Nos. 10A, 10B, 10E, 10G, 10H, 11A, 11B, 12A, 12B, 14A, 14B, 17A, 19A, 19B, 19C, 21A, 21B, 22A, 22B, 24A, 24B, 28E, 28H, 30A, 30B, 30E, 30G, 30H, 32A, 32B, 34A, 34B, 35A, 35B, 39A, 39B | | 2814975BA | 1 | 35 | X | X | | | | | |
| | TRIM Nos. 11E, 11G | | 2814975CA | 1 | 35 | X | X | | | | | |
| | TRIM Nos. 12E, 22E | | 2814975CB | 1 | 35 | X | X | | | | | |
| | TRIM Nos. 14E, 24E | | 2814975CD | 1 | 35 | X | X | | | | | |
| | TRIM Nos. 16E, 16G | | 2814975CE | 1 | 35 | X | X | | | | | |
| | TRIM Nos. 18E, 18H | | 2814975CH | 1 | 35 | X | X | | | | | |
| | TRIM Nos. 19E, 19G, 21E, 21G | | 2814975CJ | 1 | 35 | X | X | | | | | |
| | TRIM Nos. 32E | | 2814975DA | 1 | 35 | X | X | | | | | |
| | TRIM Nos. 34E, 34G | | 2814975DB | 1 | 35 | X | X | | | | | |
| | TRIM Nos. 35E, 35G | | 2814975DD | 1 | 35 | X | X | | | | | |
| | TRIM Nos. 36E, 36G | | 2814975DE | 1 | 35 | X | X | | | | | |
| | TRIM Nos. 38E, 38G, 39E, 39G | | 2814975DG | 1 | 35 | X | X | | | | | |
| | TRIM Nos. 10A, 10B, 10E, 10G, 10H, 11A, 11B, 12A, 12B, 14A, 14B, 17A, 19A, 19B, 19C, 21A, 21B, 22A, 22B, 24A, 24B, 28E, 28H, 30A, 30B, 30E, 30G, 30H, 32A, 32B, 34A, 34B, 35A, 35B, 39A, 39B | | 2814974BA | 1 | 37, 69 | X | X | | | | | |
| | TRIM Nos. 11E, 11G | | 2814974CA | 1 | 37, 69 | X | X | | | | | |
| | TRIM Nos. 12E, 22E | | 2814974CB | 1 | 37, 69 | X | X | | | | | |
| | TRIM Nos. 14E, 24E | | 2814974CD | 1 | 37, 69 | X | X | | | | | |
| | TRIM Nos. 16E, 16G | | 2814974CE | 1 | 37, 69 | X | X | | | | | |
| | TRIM Nos. 18E, 18H | | 2814974CH | 1 | 37, 69 | X | X | | | | | |
| | TRIM Nos. 19E, 19G, 21E, 21G | | 2814974CJ | 1 | 37, 69 | X | X | | | | | |
| | TRIM Nos. 32E | | 2814974DA | 1 | 37, 69 | X | X | | | | | |
| | TRIM Nos. 34E, 34G | | 2814974DB | 1 | 37, 69 | X | X | | | | | |
| | TRIM Nos. 35E, 35G | | 2814974DD | 1 | 37, 69 | X | X | | | | | |
| | TRIM Nos. 36E, 36G | | 2814974DE | 1 | 37, 69 | X | X | | | | | |
| | TRIM Nos. 38E, 38G, 39E, 39G | | 2814974DG | 1 | 37, 69 | X | X | | | | | |
| 15.306 | MAT – Rear floor (Heavy Duty) | | | | | | | | | | | |
| | TRIM Nos. 10A, 10E, 10G, 10H, 11A, 12A, 14A, 17A, 19A, 19C, 21A, 22A, 24A, 28E, 28H, 30A, 30E, 30G, 30H, 32A, 34A, 35A, 39A | | 2814980BA | 1 | 69 | X | X | | | | | |
| | TRIM Nos. 11E, 11G | | 2814980CA | 1 | 69 | X | X | | | | | |
| | TRIM Nos. 12E, 22E | | 2814980CB | 1 | 69 | X | X | | | | | |
| | TRIM Nos. 14E, 24E | | 2814980CD | 1 | 69 | X | X | | | | | |
| | TRIM Nos. 16E, 16G | | 2814980CE | 1 | 69 | X | X | | | | | |
| | TRIM Nos. 18E, 18H | | 2814980CH | 1 | 69 | X | X | | | | | |
| | TRIM Nos. 19E, 19G, 21E, 21G | | 2814980CJ | 1 | 69 | X | X | | | | | |
| | TRIM Nos. 32E | | 2814980DA | 1 | 69 | X | X | | | | | |
| | TRIM Nos. 34E, 34G | | 2814980DB | 1 | 69 | X | X | | | | | |
| | TRIM Nos. 35E, 35G | | 2814980DD | 1 | 69 | X | X | | | | | |
| | TRIM Nos. 36E, 36G | | 2814980DE | 1 | 69 | X | X | | | | | |
| | TRIM Nos. 38E, 38G, 39E, 39G | | 2814980DG | 1 | 69 | X | X | | | | | |

"HQ" PARTS CATALOGUE

| GROUP | DESCRIPTION | SIDE | PART No. | QTY. | BODY STYLE | 801 802 | 803 804 | 808 | 811 812 | 814 | 815 816 | 818 |
|-----------------------------------|--|------|-----------|------|------------|------------|------------|-----|------------|-----|------------|-----|
| 15.306 CARPET – Rear floor | | | | | | | | | | | | |
| | TRIM Nos. 10E, 10G, 10H, 10R, 10S, 10T, 10U, 10X, 10Y, 10Z, 18X, 18Y, 28E, 28H, 28R, 28S, 28U, 30E, 30G, 30H, 30R, 30T, 30X, 30Y, 35X, 35Y | | 2814984BA | 1 | 37, 69 | | X | X | X | | | X |
| | TRIM Nos. 11E, 11G, 11R, 11S, 11T, 11X, 11Y | | 2814984CA | 1 | 37, 69 | | X | X | X | | | X |
| | TRIM Nos. 12E, 12R, 22E, 22R | | 2814984CB | 1 | 37, 69 | | X | X | X | | | X |
| | TRIM Nos. 14E, 14R, 14X, 14Y, 24E, 24R, 24X, 24Y | | 2814984CD | 1 | 37, 69 | | X | X | X | | | X |
| | TRIM Nos. 16E, 16G, 16R, 16T, 16X, 16Y | | 2814984CE | 1 | 37, 69 | | X | X | X | | | X |
| | TRIM Nos. 18E, 18H, 18R, 18S, 18U | | 2814984CH | 1 | 37, 69 | | X | X | X | | | X |
| | TRIM Nos. 19E, 19G, 19R, 19S, 19T, 19X, 19Y, 21E, 21G, 21R, 21S, 21T, 21X, 21Y | | 2814984CJ | 1 | 37, 69 | | X | X | X | | | X |
| | TRIM Nos. 32E, 32R | | 2814984DA | 1 | 37, 69 | | X | X | X | | | X |
| | TRIM Nos. 34E, 34G, 34R, 34T, 34X, 34Y | | 2814984DB | 1 | 37, 69 | | X | X | X | | | X |
| | TRIM Nos. 35E, 35G, 35R | | 2814984DD | 1 | 37, 69 | | X | X | X | | | X |
| | TRIM Nos. 36E, 36G, 36R, 36T, 36X, 36Y | | 2814984DE | 1 | 37, 69 | | X | X | X | | | X |
| | TRIM Nos. 38E, 38G, 38R, 38T, 38X, 38Y, 39E, 39G 39R, 39T, 39X, 39Y | | 2814984DG | 1 | 37, 69 | | X | X | X | | | X |
| | TRIM Nos. 10E, 10G, 10H, 10R, 10T, 10U, 28E, 28H, 28R, 28U, 30E, 30G, 30H, 30R, 30T | | 2814985BA | 1 | 35 | | X | | X | | | |
| | TRIM Nos. 11E, 11G, 11R, 11T | | 2814985CA | 1 | 35 | | X | | X | | | |
| | TRIM Nos. 12E, 12R, 22E, 22R | | 2814985CB | 1 | 35 | | X | | X | | | |
| | TRIM Nos. 14E, 14R, 24E, 24R | | 2814985CD | 1 | 35 | | X | | X | | | |
| | TRIM Nos. 16E, 16G, 16R, 16T | | 2814985CE | 1 | 35 | | X | | X | | | |
| | TRIM Nos. 18E, 18H, 18R, 18U | | 2814985CH | 1 | 35 | | X | | X | | | |
| | TRIM Nos. 19E, 19G, 19R, 19T, 21E, 21G, 21R, 21T | | 2814985CJ | 1 | 35 | | X | | X | | | |
| | TRIM Nos. 32E, 32R | | 2814985DA | 1 | 35 | | X | | X | | | |
| | TRIM Nos. 34E, 34G, 34R, 34T | | 2814985DB | 1 | 35 | | X | | X | | | |
| | TRIM Nos. 35E, 35G, 35R | | 2814985DD | 1 | 35 | | X | | X | | | |
| | TRIM Nos. 36E, 36G, 36R, 36T | | 2814985DE | 1 | 35 | | X | | X | | | |
| | TRIM Nos. 38E, 38G, 38R, 38T, 39E, 39G, 39R, 39T | | 2814985DG | 1 | 35 | | X | | X | | | |
| | TRIM Nos. 10R, 10T, 10U, 28R, 28U, 30R, 30T | | 2814985BA | 1 | 69 | | | | | | | X |
| | TRIM Nos. 11R, 11T | | 2814985CA | 1 | 69 | | | | | | | X |
| | TRIM Nos. 12R, 22R | | 2814985CB | 1 | 69 | | | | | | | X |
| | TRIM Nos. 14R, 24R | | 2814985CD | 1 | 69 | | | | | | | X |
| | TRIM Nos. 16R, 16T | | 2814985CE | 1 | 69 | | | | | | | X |
| | TRIM Nos. 18R, 18U | | 2814985CH | 1 | 69 | | | | | | | X |
| | TRIM Nos. 19R, 19T, 21R, 21T | | 2814985CJ | 1 | 69 | | | | | | | X |
| | TRIM Nos. 32R | | 2814985DA | 1 | 69 | | | | | | | X |
| | TRIM Nos. 34R, 34T | | 2814985DB | 1 | 69 | | | | | | | X |
| | TRIM Nos. 35R | | 2814985DD | 1 | 69 | | | | | | | X |
| | TRIM Nos. 36R, 36T | | 2814985DE | 1 | 69 | | | | | | | X |
| | TRIM Nos. 38R, 38T, 39R, 39T | | 2814985DG | 1 | 69 | | | | | | | X |
| | TRIM Nos. 10M, 10N, 28M, 28N, 30M, 30N | | 2814986BA | 1 | 69 | | | | | X | | |
| | TRIM Nos. 11M, 11N | | 2814986CA | 1 | 69 | | | | | X | | |
| | TRIM Nos. 14M | | 2814986CD | 1 | 69 | | | | | X | | |
| | TRIM Nos. 18M, 18N | | 2814986CH | 1 | 69 | | | | | X | | |
| | TRIM Nos. 19M, 19N, 21M, 21N | | 2814986CJ | 1 | 69 | | | | | X | | |
| | TRIM Nos. 34M, 34N | | 2814986DB | 1 | 69 | | | | | X | | |
| | TRIM Nos. 35M, 35N | | 2814986DD | 1 | 69 | | | | | X | | |
| | TRIM Nos. 38M, 38N, 39M, 39N | | 2814986DG | 1 | 69 | | | | | X | | |
| 15.306 MAT – Rear floor | | | | | | | | | | | | |
| | TRIM Nos. 10A, 10B, 10E, 11A, 11B, 12A, 12B, 14A, 14B, 17A, 19B, 19C, 21A, 21B, 22A, 22B, 24A, 24B, 28E, 30A, 30B, 30E, 32A, 34A, 34B, 35A, 35B, 39A, 39B | LH | 2822465BA | 1 | 60, 70, 80 | | X | X | | | | |
| | | RH | 2822464BA | 1 | 60, 70, 80 | | X | X | | | | |
| | TRIM Nos. 11E | LH | 2822465CA | 1 | 60, 70, 80 | | X | X | | | | |
| | | RH | 2822464CA | 1 | 60, 70, 80 | | X | X | | | | |
| | TRIM Nos. 12E, 22E | LH | 2822465CB | 1 | 60, 70, 80 | | X | X | | | | |
| | | RH | 2822464CB | 1 | 60, 70, 80 | | X | X | | | | |
| | TRIM Nos. 14E, 24E | LH | 2822465CD | 1 | 60, 70, 80 | | X | X | | | | |
| | | RH | 2822464CD | 1 | 60, 70, 80 | | X | X | | | | |

"HQ" PARTS CATALOGUE

| GROUP | DESCRIPTION | SIDE | PART No. | QTY. | BODY STYLE | 801 802 | 803 804 | 808 | 811 812 | 814 | 815 816 | 818 |
|--|---|------|-----------|------|------------|------------|------------|-----|------------|-----|------------|-----|
| 15.306 MAT – Rear floor (contd.) | | | | | | | | | | | | |
| | TRIM Nos. 16E | LH | 2822465CE | 1 | 60, 70, 80 | X | X | | | | | |
| | | RH | 2822464CE | 1 | 60, 70, 80 | X | X | | | | | |
| | TRIM Nos. 18E | LH | 2822465CH | 1 | 60, 70, 80 | X | X | | | | | |
| | | RH | 2822464CH | 1 | 60, 70, 80 | X | X | | | | | |
| | TRIM Nos. 19E, 21E | LH | 2822465CJ | 1 | 60, 70, 80 | X | X | | | | | |
| | | RH | 2822464CJ | 1 | 60, 70, 80 | X | X | | | | | |
| | TRIM Nos. 32E | LH | 2822465DA | 1 | 60, 70, 80 | X | X | | | | | |
| | | RH | 2822464DA | 1 | 60, 70, 80 | X | X | | | | | |
| | TRIM Nos. 34E | LH | 2822465DB | 1 | 60, 70, 80 | X | X | | | | | |
| | | RH | 2822464DB | 1 | 60, 70, 80 | X | X | | | | | |
| | TRIM Nos. 35E | LH | 2822465DD | 1 | 60, 70, 80 | X | X | | | | | |
| | | RH | 2822464DD | 1 | 60, 70, 80 | X | X | | | | | |
| | TRIM Nos. 36E | LH | 2822465DE | 1 | 60, 70, 80 | X | X | | | | | |
| | | RH | 2822464DE | 1 | 60, 70, 80 | X | X | | | | | |
| | TRIM Nos. 38E, 39E | LH | 2822465DG | 1 | 60, 70, 80 | X | X | | | | | |
| | | RH | 2822464DG | 1 | 60, 70, 80 | X | X | | | | | |
| 15.306 MAT – Rear floor filler (Bucket Seats) | | | | | | | | | | | | |
| | TRIM Nos. 10B, 10E, 10G, 10H, 11B, 12B, 14B, 19B, 21B, 22B, 24B, 28E, 28H, 30B, 30E, 30G, 30H, 32B, 34B, 35B, 39B | | 2815953BA | 1 | ALL | X | X | | | | | |
| | TRIM Nos. 11E, 11G | | 2815953CA | 1 | ALL | X | X | | | | | |
| | TRIM Nos. 12E, 22E | | 2815953CB | 1 | ALL | X | X | | | | | |
| | TRIM Nos. 14E, 24E | | 2815953CD | 1 | ALL | X | X | | | | | |
| | TRIM Nos. 16E, 16G | | 2815953CE | 1 | ALL | X | X | | | | | |
| | TRIM Nos. 18E, 18H | | 2815953CH | 1 | ALL | X | X | | | | | |
| | TRIM Nos. 19E, 19G, 21E, 21G | | 2815953CJ | 1 | ALL | X | X | | | | | |
| | TRIM Nos. 32E | | 2815953DA | 1 | ALL | X | X | | | | | |
| | TRIM Nos. 34E, 34G | | 2815953DB | 1 | ALL | X | X | | | | | |
| | TRIM Nos. 35E, 35G | | 2815953DD | 1 | ALL | X | X | | | | | |
| | TRIM Nos. 36E, 36G | | 2815953DE | 1 | ALL | X | X | | | | | |
| | TRIM Nos. 38E, 38G, 39E, 39G | | 2815953DG | 1 | ALL | X | X | | | | | |
| 15.306 TRIM ASSY. – Rear floor centre | | | | | | | | | | | | |
| | TRIM Nos. 10B, 10E, 11B, 12B, 14B, 19B, 22B, TRIM Nos. 24B, 28E, 30B, 30E, 32B, 34B, 35B, 39B | | 2822644BA | 1 | 60, 80 | X | X | | | | | |
| | TRIM Nos. 11E | | 2822644CA | 1 | 60, 80 | X | X | | | | | |
| | TRIM Nos. 12E, 22E | | 2822644CB | 1 | 60, 80 | X | X | | | | | |
| | TRIM Nos. 14E, 24E | | 2822644CD | 1 | 60, 80 | X | X | | | | | |
| | TRIM Nos. 16E | | 2822644CE | 1 | 60, 80 | X | X | | | | | |
| | TRIM Nos. 19E, 21E | | 2822644CJ | 1 | 60, 80 | X | X | | | | | |
| | TRIM Nos. 32E | | 2822644DA | 1 | 60, 80 | X | X | | | | | |
| | TRIM Nos. 34E | | 2822644DB | 1 | 60, 80 | X | X | | | | | |
| | TRIM Nos. 35E | | 2822644DD | 1 | 60, 80 | X | X | | | | | |
| | TRIM Nos. 36E | | 2822644DE | 1 | 60, 80 | X | X | | | | | |
| | TRIM Nos. 38E, 39E | | 2822644DG | 1 | 60, 80 | X | X | | | | | |
| 15.306 TRIM ASSY. – Rear floor | | | | | | | | | | | | |
| | TRIM ASSY. | | 2822700 | 1 | 70 | X | | | | | | |
| 15.308 TRIM – Tonneau floor front filler | | | | | | | | | | | | |
| | TRIM Nos. 10E, 10G, 10H, 10R, 10T, 10U, 28E, 28H, 28R, 28U | | D032BA | 1 | 35 | | X | | X | | | |
| | TRIM Nos. 11E, 11G, 11R, 11T | | D032CA | 1 | 35 | | X | | X | | | |
| | TRIM Nos. 12E, 12R, 22E, 22R | | D032CB | 1 | 35 | | X | | X | | | |
| | TRIM Nos. 14E, 14R, 24E, 24R | | D032CD | 1 | 35 | | X | | X | | | |
| | TRIM Nos. 16E, 16G, 16R, 16T | | D032CE | 1 | 35 | | X | | X | | | |
| | TRIM Nos. 18E, 18H, 18R, 18U | | D032CH | 1 | 35 | | X | | X | | | |
| | TRIM Nos. 19E, 19G, 19R, 19T, 21E, 21G, 21R, 21T | | D032CJ | 1 | 35 | | X | | X | | | |
| | TRIM Nos. 30E, 30G, 30H, 30R, 30T | | D032CY | 1 | 35 | | X | | X | | | |

"HQ" PARTS CATALOGUE

| GROUP | DESCRIPTION | SIDE | PART No. | QTY. | BODY STYLE | 801 802 | 803 804 | 808 | 811 812 | 814 | 815 816 | 818 |
|--|---|------|-----------|------|------------|------------|------------|-----|------------|-----|------------|-----|
| 15.308 TRIM – Tonneau floor front filler (contd.) | | | | | | | | | | | | |
| | TRIM Nos. 32E, 32R | | D032DA | 1 | 35 | | X | | X | | | |
| | TRIM Nos. 34E, 34G, 34R, 34T | | D032DB | 1 | 35 | | X | | X | | | |
| | TRIM Nos. 35E, 35G, 35R | | D032DD | 1 | 35 | | X | | X | | | |
| | TRIM Nos. 36E, 36G, 36R, 36T | | D032DE | 1 | 35 | | X | | X | | | |
| | TRIM Nos. 38E, 38G, 38R, 38T, 39E, 39G, 39R, 39T | | D032DG | 1 | 35 | | X | | X | | | |
| 15.308 TRIM – Tonneau floor front | | | | | | | | | | | | |
| | TRIM Nos. 10E, 10G, 10H, 10R, 10T, 10U, 28E, 28H, 28R, 28U | | D035BA | 1 | 35 | | X | | X | | | |
| | TRIM Nos. 11E, 11G, 11R, 11T | | D035CA | 1 | 35 | | X | | X | | | |
| | TRIM Nos. 12E, 12R, 22E, 22R | | D035CB | 1 | 35 | | X | | X | | | |
| | TRIM Nos. 14E, 14R, 24E, 24R | | D035CD | 1 | 35 | | X | | X | | | |
| | TRIM Nos. 16E, 16G, 18R, 16T | | D035CE | 1 | 35 | | X | | X | | | |
| | TRIM Nos. 18E, 18H, 18R, 18U | | D035CH | 1 | 35 | | X | | X | | | |
| | TRIM Nos. 19E, 19G, 19R, 19T, 21E, 21G, 21R, 21T | | D035CJ | 1 | 35 | | X | | X | | | |
| | TRIM Nos. 30E, 30G, 30H, 30R, 30T | | D035CY | 1 | 35 | | X | | X | | | |
| | TRIM Nos. 32E, 32R | | D035DA | 1 | 35 | | X | | X | | | |
| | TRIM Nos. 34E, 34G, 34R, 34T | | D035DB | 1 | 35 | | X | | X | | | |
| | TRIM Nos. 35E, 35G, 35R | | D035DD | 1 | 35 | | X | | X | | | |
| | TRIM Nos. 36E, 36G, 36R, 36T | | D035DE | 1 | 35 | | X | | X | | | |
| | TRIM Nos. 38E, 38G, 38R, 38T, 39E, 39G, 39R, 39T | | D035DG | 1 | 35 | | X | | X | | | |
| 15.308 TRIM ASSY. – Tonneau floor side | | | | | | | | | | | | |
| | TRIM Nos. 10E, 10G, 10H, 10R, 10T, 10U, 28E, 28H, 28R, 28U | LH | 2820523BA | 1 | 35 | | X | | X | | | |
| | | RH | 2820522BA | 1 | 35 | | X | | X | | | |
| | TRIM Nos. 11E, 11G, 11R, 11T | LH | 2820523CA | 1 | 35 | | X | | X | | | |
| | | RH | 2820522CA | 1 | 35 | | X | | X | | | |
| | TRIM Nos. 12E, 12R, 22E, 22R | LH | 2820523CB | 1 | 35 | | X | | X | | | |
| | | RH | 2820522CB | 1 | 35 | | X | | X | | | |
| | TRIM Nos. 14E, 14R, 24E, 24R | LH | 2820523CD | 1 | 35 | | X | | X | | | |
| | | RH | 2820522CD | 1 | 35 | | X | | X | | | |
| | TRIM Nos. 16E, 16G, 16R, 16T | LH | 2820523CE | 1 | 35 | | X | | X | | | |
| | | RH | 2820522CE | 1 | 35 | | X | | X | | | |
| | TRIM Nos. 18E, 18H, 18R, 18U | LH | 2820523CH | 1 | 35 | | X | | X | | | |
| | | RH | 2820522CH | 1 | 35 | | X | | X | | | |
| | TRIM Nos. 19E, 19G, 19R, 19T, 21E, 21G, 21R, 21T | LH | 2820523CJ | 1 | 35 | | X | | X | | | |
| | | RH | 2820522CJ | 1 | 35 | | X | | X | | | |
| | TRIM Nos. 30E, 30G, 30H, 30R, 30T | LH | 2820523CY | 1 | 35 | | X | | X | | | |
| | | RH | 2820522CY | 1 | 35 | | X | | X | | | |
| | TRIM Nos. 32E, 32R | LH | 2820523DA | 1 | 35 | | X | | X | | | |
| | | RH | 2820522DA | 1 | 35 | | X | | X | | | |
| | TRIM Nos. 34E, 34G, 34R, 34T | LH | 2820523DB | 1 | 35 | | X | | X | | | |
| | | RH | 2820522DB | 1 | 35 | | X | | X | | | |
| | TRIM Nos. 35E, 35G, 35R | LH | 2820523DD | 1 | 35 | | X | | X | | | |
| | | RH | 2820522DD | 1 | 35 | | X | | X | | | |
| | TRIM Nos. 36E, 36G, 36R, 36T | LH | 2820523DE | 1 | 35 | | X | | X | | | |
| | | RH | 2820522DE | 1 | 35 | | X | | X | | | |
| | TRIM Nos. 38E, 38G, 38R, 38T, 39E, 39G, 39R, 39T | LH | 2820523DG | 1 | 35 | | X | | X | | | |
| | | RH | 2820522DG | 1 | 35 | | X | | X | | | |
| 15.308 TRIM – Tonneau floor rear | | | | | | | | | | | | |
| | TRIM Nos. 10E, 10G, 10H, 10R, 10T, 10U, 28E, 28H, 28R, 28U | | D036BA | 1 | 35 | | X | | X | | | |
| | TRIM Nos. 11E, 11G, 11R, 11T | | D036CA | 1 | 35 | | X | | X | | | |
| | TRIM Nos. 12E, 12R, 22E, 22R | | D036CB | 1 | 35 | | X | | X | | | |
| | TRIM Nos. 14E, 14R, 24E, 24R | | D036CD | 1 | 35 | | X | | X | | | |
| | TRIM Nos. 16E, 16G, 16R, 16T | | D036CE | 1 | 35 | | X | | X | | | |
| | TRIM Nos. 18E, 18H, 18R, 18U | | D036CH | 1 | 35 | | X | | X | | | |
| | TRIM Nos. 19E, 19G, 19R, 19T, 21E, 21G, 21R, 21T | | D036CJ | 1 | 35 | | X | | X | | | |
| | TRIM Nos. 30E, 30G, 30H, 30R, 30T | | D035CY | 1 | 35 | | X | | X | | | |

BODY

"HQ" PARTS CATALOGUE

| GROUP | DESCRIPTION | SIDE | PART No. | QTY. | BODY STYLE | 801 802 | 803 804 | 808 | 811 812 | 814 | 815 816 | 818 |
|--|--|------|-----------|------|------------|------------|------------|-----|------------|-----|------------|-----|
| 15.308 TRIM – Tonneau floor rear (contd.) | | | | | | | | | | | | |
| | TRIM Nos. 32E, 32R | | D035DA | 1 | 35 | | X | | X | | | |
| | TRIM Nos. 34E, 34G, 34R, 34T | | D035DB | 1 | 35 | | X | | X | | | |
| | TRIM Nos. 35E, 35G, 35R | | D035DD | 1 | 35 | | X | | X | | | |
| | TRIM Nos. 36E, 36G, 36R, 36T | | D035DE | 1 | 35 | | X | | X | | | |
| | TRIM Nos. 38E, 38G, 38R, 38T, 39E, 39G, 39R, 39T | | D035DG | 1 | 35 | | X | | X | | | |
| 15.310 TRIM ASSY. – Rear seat back | | | | | | | | | | | | |
| | TRIM Nos. 10B, 10E, 10G, 10H, 10R, 10T, 10U, 28E, 28H, 28R, 28U | | 2818785BA | 1 | 35 | X | X | | X | | | |
| | TRIM Nos. 11B, 11E, 11G, 11R, 11T | | 2818785CA | 1 | 35 | X | X | | X | | | |
| | TRIM Nos. 12B, 12E, 12R, 22B, 22E, 22R | | 2818785CB | 1 | 35 | X | X | | X | | | |
| | TRIM Nos. 14B, 14E, 14R, 24B, 24E, 24R | | 2818785CD | 1 | 35 | X | X | | X | | | |
| | TRIM Nos. 16E, 16G, 16R, 16T | | 2818785CE | 1 | 35 | X | X | | X | | | |
| | TRIM Nos. 18E, 18H, 18R, 18U | | 2818785CG | 1 | 35 | X | X | | X | | | |
| | TRIM Nos. 19B, 19E, 19G, 19R, 19T, 21B, 21E, 21G, 21R, 21T | | 2818785CJ | 1 | 35 | X | X | | X | | | |
| | TRIM Nos. 30B, 30E, 30G, 30H, 30R, 30T | | 2818785CY | 1 | 35 | X | X | | X | | | |
| | TRIM Nos. 32B, 32E, 32R | | 2818785DA | 1 | 35 | X | X | | X | | | |
| | TRIM Nos. 34B, 34E, 34G, 34R, 34T | | 2818785DB | 1 | 35 | X | X | | X | | | |
| | TRIM Nos. 35B, 35E, 35G, 35R | | 2818785DD | 1 | 35 | X | X | | X | | | |
| | TRIM Nos. 36E, 36G, 36R, 36T | | 2818785DE | 1 | 35 | X | X | | X | | | |
| | TRIM Nos. 38E, 38G, 38R, 38T, 39E, 39G, 39R, 39T | | 2818785DG | 1 | 35 | X | X | | X | | | |
| | TRIM Nos. 38R, 38T | | 2818785DF | 1 | 35 | X | X | | X | | | |
| 15.311 TRIM – End gate panel | | | | | | | | | | | | |
| | TRIM Nos. 10E, 10G, 10H, 10R, 10T, 10U | | A075BA | 1 | 35 | | X | | X | | | |
| | TRIM Nos. 11E, 11G, 11R, 11T, 21E, 21G, 21R, 21T | | A075CA | 1 | 35 | | X | | X | | | |
| | TRIM Nos. 12E, 12R, 22E, 22R | | A075CB | 1 | 35 | | X | | X | | | |
| | TRIM Nos. 14E, 14R, 24E, 24R | | A075CD | 1 | 35 | | X | | X | | | |
| | TRIM Nos. 16E, 16G, 16R, 16T | | A075CE | 1 | 35 | | X | | X | | | |
| | TRIM Nos. 18E, 18H, 18R, 18U, 28E, 28H, 28R, 28U | | A075CG | 1 | 35 | | X | | X | | | |
| | TRIM Nos. 19E, 19G, 19R, 19T | | A075CJ | 1 | 35 | | X | | X | | | |
| | TRIM Nos. 30E, 30G, 30H, 30R, 30T | | A075CY | 1 | 35 | | X | | X | | | |
| | TRIM Nos. 32E, 32R | | A075DA | 1 | 35 | | X | | X | | | |
| | TRIM Nos. 34E, 34G, 34R, 34T | | A075DB | 1 | 35 | | X | | X | | | |
| | TRIM Nos. 35E, 35G | | A075DD | 1 | 35 | | X | | X | | | |
| | TRIM Nos. 35R | | A075DC | 1 | 35 | | X | | X | | | |
| | TRIM Nos. 36E, 36G, 36R, 36T | | A075DE | 1 | 35 | | X | | X | | | |
| | TRIM Nos. 38E, 38G, 38R, 38T, 39E, 39G, 39R, 39T | | A075DG | 1 | 35 | | X | | X | | | |
| | TRIM Nos. 38R, 38T | | A075DF | 1 | 35 | | X | | X | | | |
| 15.311 PANEL ASSY. – End gate trim | | | | | | | | | | | | |
| | TRIM Nos. 10E, 10G, 10H, 10R, 10T, 10U | | 7434209BA | 1 | 35 | | X | | X | | | |
| | TRIM Nos. 11E, 11G, 11R, 11T, 21E, 21G, 21R, 21T | | 7434209CA | 1 | 35 | | X | | X | | | |
| | TRIM Nos. 12E, 12R, 22E, 22R | | 7434209CB | 1 | 35 | | X | | X | | | |
| | TRIM Nos. 14E, 14R, 24E, 24R | | 7434209CD | 1 | 35 | | X | | X | | | |
| | TRIM Nos. 16E, 16G, 16R, 16T | | 7434209CE | 1 | 35 | | X | | X | | | |
| | TRIM Nos. 18E, 18H, 18R, 18U, 28E, 28H, 28R, 28U | | 7434209CG | 1 | 35 | | X | | X | | | |
| | TRIM Nos. 19E, 19G, 19R, 19T | | 7434209CJ | 1 | 35 | | X | | X | | | |
| | TRIM Nos. 30E, 30G, 30H, 30R, 30T | | 7434209CY | 1 | 35 | | X | | X | | | |
| | TRIM Nos. 32E, 32R | | 7434209DA | 1 | 35 | | X | | X | | | |
| | TRIM Nos. 34E, 34G, 34R, 34T | | 7434209DB | 1 | 35 | | X | | X | | | |
| | TRIM Nos. 35E, 35G | | 7434209DD | 1 | 35 | | X | | X | | | |
| | TRIM Nos. 35R | | 7434209DC | 1 | 35 | | X | | X | | | |
| | TRIM Nos. 36E, 36G, 36R, 36T | | 7434209DE | 1 | 35 | | X | | X | | | |
| | TRIM Nos. 38E, 38G, 38R, 38T, 39E, 39G, 39R, 39T | | 7434209DG | 1 | 35 | | X | | X | | | |
| | TRIM Nos. 38R, 38T | | 7434209DF | 1 | 35 | | X | | X | | | |
| 15.311 PANEL – End gate trim | | | | | | | | | | | | |
| | PANEL | | 7434122 | 1 | 35 | X | X | | X | | | |

"HQ" PARTS CATALOGUE

| GROUP | DESCRIPTION | SIDE | PART No. | QTY. | BODY STYLE | 801 802 | 803 804 | 808 | 811 812 | 814 | 815 816 | 818 |
|---------------|--|------|-----------|------|------------|------------|------------|-----|------------|-----|------------|-----|
| 15.313 | SEAL – End gate panel | | | | | | | | | | | |
| | SEAL | | 7427777 | 1 | 35 | X | X | | X | | | |
| 15.390 | STRAP ASSY. – Assist grip | | | | | | | | | | | |
| | TRIM Nos. 10A, 10B, 10C, 10E, 10G, 10H, 10M, 10N, 10R, 10S, 10T, 10U, 10X, 10Y, 10Z | | 7439827BA | 2 | 35, 37, 69 | X | X | X | X | X | X | X |
| | TRIM Nos. 11A, 21A | | 7439827CK | 2 | 35, 37, 69 | X | X | X | X | X | X | X |
| | TRIM Nos. 11B, 11E, 11G, 11M, 11N, 11R, 11S, 11T, 11X, 11Y, 21B, 21E, 21G, 21M, 21N, 21R, 21S, 21T, 21X, 21Y | | 7439827CA | 2 | 35, 37, 69 | X | X | X | X | X | X | X |
| | TRIM Nos. 12A, 22A | | 7439827CL | 2 | 35, 37, 69 | X | X | X | X | X | X | X |
| | TRIM Nos. 12B, 12E, 12R, 22B, 22E, 22R | | 7439827CB | 2 | 35, 37, 69 | X | X | X | X | X | X | X |
| | TRIM Nos. 14A, 24A | | 7439827CS | 2 | 35, 37, 69 | X | X | X | X | X | X | X |
| | TRIM Nos. 14B, 14E, 14R, 14X, 14Y, 24B, 24E, 24R, 24X, 24Y | | 7439827CD | 2 | 35, 37, 69 | X | X | X | X | X | X | X |
| | TRIM Nos. 16E, 16G, 16R, 16T, 16X, 16Y | | 7439827CE | 2 | 35, 37, 69 | X | X | X | X | X | X | X |
| | TRIM Nos. 17A | | 7439827BK | 2 | 35, 37, 69 | X | X | X | X | X | X | X |
| | TRIM Nos. 18E, 18H, 18M, 18N, 18R, 18S, 18U, 18X, 18Y, 28E, 28H, 28M, 28N, 28R, 28S, 28U | | 7439827CG | 2 | 35, 37, 69 | X | X | X | X | X | X | X |
| | TRIM Nos. 19A | | 7439827CM | 2 | 35, 69 | X | X | | | | | |
| | TRIM Nos. 19B, 19E, 19G, 19M, 19N, 19R, 19S, 19T, 19X, 19Y | | 7439827CJ | 2 | 35, 37, 69 | X | X | X | X | X | X | X |
| | TRIM Nos. 19C | | 7439827BL | 2 | 35, 37, 69 | X | X | X | X | X | X | X |
| | TRIM Nos. 30A, 30B, 30E, 30G, 30H, 30M, 30N, 30R, 30T, 30X, 30Y | | 7439827CY | 2 | 35, 37, 69 | X | X | X | X | X | X | X |
| | TRIM Nos. 32A | | 7439827DJ | 2 | 35, 37, 69 | X | X | X | X | X | X | X |
| | TRIM Nos. 32B, 32E, 32R | | 7439827DA | 2 | 35, 37, 69 | X | X | X | X | X | X | X |
| | TRIM Nos. 34A | | 7439827DK | 2 | 35, 37, 69 | X | X | X | X | X | X | X |
| | TRIM Nos. 34B, 34E, 34G, 34M, 34N, 34R, 34T, 34X, 34Y | | 7439827DB | 2 | 35, 37, 69 | X | X | X | X | X | X | X |
| | TRIM Nos. 35A | | 7439827DL | 2 | 35, 37, 69 | X | X | X | X | X | X | X |
| | TRIM Nos. 35B, 35E, 35G, 35M, 35N, 35R, 35X, 35Y | | 7439827DC | 2 | 35, 37, 69 | X | X | X | X | X | X | X |
| | TRIM Nos. 36E, 36G, 36R, 36T, 36X, 36Y | | 7439827DE | 2 | 35, 37, 69 | X | X | X | X | X | X | X |
| | TRIM Nos. 38E, 38G, 38M, 38N, 38R, 38T, 38X, 38Y | | 7439827DF | 2 | 35, 37, 69 | X | X | X | X | X | X | X |
| | TRIM Nos. 39A | | 7439827DM | 2 | 35, 37, 69 | X | X | X | X | X | X | X |
| | TRIM Nos. 39B, 39E, 39G, 39M, 39N, 39R, 39T, 39X, 39Y | | 7439827DG | 2 | 35, 37, 69 | X | X | X | X | X | X | X |
| | SOCKET – Fastener type 'A' | | SP1018 | 2 | 35, 37, 69 | X | X | X | X | X | X | X |
| | STUD – Fastener 'A' type 8 x 3/8" | | SP1017 | 2 | 35, 37, 69 | X | X | X | X | X | X | X |
| 15.492 | DEADENER – Sound, floor pan | | | | | | | | | | | |
| | DEADENER – Floor pan 20" x 15" | | M36770 | AR | ALL | X | X | X | X | X | X | X |
| 15.520 | WINDLACE – Front door opening | | | | | | | | | | | |
| | TRIM Nos. 10A, 10B, 10C, 10E, 10G, 10H, 10M, 10N, 10R, 10T, 10U, 30A, 30B, 30E, 30G, 30H, 30M, 30N, 30R, 30T | | 2816647BA | 2 | 35, 69 | X | X | | X | X | X | |
| | TRIM Nos. 11A, 11B, 11E, 11G, 11M, 11N, 11R, 11T, 21A, 21B, 21E, 21G, 21M, 21N, 21R, 21T | | 2816647CA | 2 | 35, 69 | X | X | | X | X | X | |
| | TRIM Nos. 12A, 12B, 12E, 12R, 22A, 22B, 22E, 22R | | 2816647CB | 2 | 35, 69 | X | X | | X | X | X | |
| | TRIM Nos. 14A, 14B, 14E, 14M, 14R, 24A, 24B, 24E, 24R | | 2816647CD | 2 | 35, 69 | X | X | | X | X | X | |
| | TRIM Nos. 16E, 16G, 16R, 16T | | 2816647CE | 2 | 35, 69 | X | X | | X | X | X | |
| | TRIM Nos. 17A | | 2816647BK | 2 | 35, 69 | X | X | | X | X | X | |
| | TRIM Nos. 18E, 18H, 18M, 18N, 18R, 18U, 28E, 28H, 28M, 28N, 28R, 28U | | 2816647CG | 2 | 35, 69 | X | X | | X | X | X | |
| | TRIM Nos. 19A, 19B, 19E, 19G, 19M, 19N, 19R, 19T | | 2816647CJ | 2 | 35, 69 | X | X | | X | X | X | |
| | TRIM Nos. 19C | | 2816647BL | 2 | 35, 69 | X | X | | X | X | X | |
| | TRIM Nos. 32A, 32B, 32E, 32R | | 2816647DA | 2 | 35, 69 | X | X | | X | X | X | |
| | TRIM Nos. 34A, 34B, 34E, 34G, 34M, 34N, 34R, 34T | | 2816647DB | 2 | 35, 69 | X | X | | X | X | X | |
| | TRIM Nos. 35A, 35B, 35E, 35G, 35M, 35N, 35R | | 2816647DC | 2 | 35, 69 | X | X | | X | X | X | |
| | TRIM Nos. 36E, 36G, 36R, 36T | | 2816647DE | 2 | 35, 69 | X | X | | X | X | X | |
| | TRIM Nos. 38E, 38G, 38M, 38N, 38R, 38T | | 2816647DF | 2 | 35, 69 | X | X | | X | X | X | |

"HQ" PARTS CATALOGUE

| GROUP | DESCRIPTION | SIDE | PART No. | QTY. | BODY STYLE | 801 802 | 803 804 | 808 | 811 812 | 814 | 815 816 | 818 |
|---|--|------|---------------------------|------|------------|------------|------------|-----|------------|-----|------------|-----|
| 15.520 WINDLACE – Front door opening (contd.) | | | | | | | | | | | | |
| | TRIM Nos. 39A, 39B, 39E, 39G, 39M, 39N, 39R, 39T | | 2816647DG | 2 | 35, 69 | X | X | | X | X | X | |
| | TRIM Nos. 10E, 10R, 10S, 10X, 10Y, 10Z, 30E, 30G, 30H, 30R, 30T, 30X, 30Y, 35X, 35Y | LH | 2816649BA | 1 | 37 | | X | X | X | | | X |
| | | RH | 2816648BA | 1 | 37 | | X | X | X | | | X |
| | TRIM Nos. 11E, 11R, 11S, 11X, 11Y, 21E, 21R, 21S, 21X, 21Y | LH | 2816649CA | 1 | 37 | | X | X | X | | | X |
| | | RH | 2816648CA | 1 | 37 | | X | X | X | | | X |
| | TRIM Nos. 12E, 12R, 22E, 22R | LH | 2816649CB | 1 | 37 | | X | X | X | | | X |
| | | RH | 2816648CB | 1 | 37 | | X | X | X | | | X |
| | TRIM Nos. 14E, 14R, 14X, 14Y, 24E, 24R, 24X, 24Y | LH | 2816649CD | 1 | 37 | | X | X | X | | | X |
| | | RH | 2816648CD | 1 | 37 | | X | X | X | | | X |
| | TRIM Nos. 16R, 16X, 16Y | LH | 2816649CE | 1 | 37 | | X | X | X | | | X |
| | | RH | 2816648CE | 1 | 37 | | X | X | X | | | X |
| | TRIM Nos. 18E, 18R, 18S, 18X, 18Y, 28E, 28R, 28S | LH | 2816649CG | 1 | 37 | | X | X | X | | | X |
| | | RH | 2816648CG | 1 | 37 | | X | X | X | | | X |
| | TRIM Nos. 19E, 19R, 19S, 19X, 19Y | LH | 2816649CJ | 1 | 37 | | X | X | X | | | X |
| | | RH | 2816648CJ | 1 | 37 | | X | X | X | | | X |
| | TRIM Nos. 32E, 32R | LH | 2816649DA | 1 | 37 | | X | X | X | | | X |
| | | RH | 2816648DA | 1 | 37 | | X | X | X | | | X |
| | TRIM Nos. 34E, 34G, 34R, 34T, 34X, 34Y | LH | 2816649DB | 1 | 37 | | X | X | X | | | X |
| | | RH | 2816648DB | 1 | 37 | | X | X | X | | | X |
| | TRIM Nos. 35E, 35G, 35R | LH | 2816649DC | 1 | 37 | | X | X | X | | | X |
| | | RH | 2816648DC | 1 | 37 | | X | X | X | | | X |
| | TRIM Nos. 36E, 36G, 36R, 36T, 36X, 36Y | LH | 2816649DE | 1 | 37 | | X | X | X | | | X |
| | | RH | 2816648DE | 1 | 37 | | X | X | X | | | X |
| | TRIM Nos. 38E, 38G, 38R, 38T, 38X, 38Y | LH | 2816649DF | 1 | 37 | | X | X | X | | | X |
| | | RH | 2816648DF | 1 | 37 | | X | X | X | | | X |
| | TRIM Nos. 39E, 39G, 39R, 39T, 39X, 39Y | LH | 2816649DG | 1 | 37 | | X | X | X | | | X |
| | | RH | 2816648DG | 1 | 37 | | X | X | X | | | X |
| | TRIM Nos. 10A, 10B, 30A, 30B | | 2823076BA | 1 | 60, 70, 80 | X | | | | | | |
| | TRIM Nos. 11A, 11B, 21A, 21B | | 2823076CA | 2 | 60, 70, 80 | X | | | | | | |
| | TRIM Nos. 12A, 12B, 22A, 22B | | 2823076CB | 2 | 60, 70, 80 | X | | | | | | |
| | TRIM Nos. 14A, 14B, 24A, 24B | | 2823076CD | 2 | 60, 70, 80 | X | | | | | | |
| | TRIM Nos. 17A | | 2823076BK | 2 | 60, 70, 80 | X | | | | | | |
| | TRIM Nos. 19A, 19B | | 2823076CJ | 2 | 60, 70, 80 | X | | | | | | |
| | TRIM Nos. 19C | | 2823076BL | 2 | 60, 70, 80 | X | | | | | | |
| | TRIM Nos. 32A, 32B | | 2823076DA | 2 | 60, 70, 80 | X | | | | | | |
| | TRIM Nos. 34A, 34B | | 2823076DB | 2 | 60, 70, 80 | X | | | | | | |
| | TRIM Nos. 35A, 35B | | 2823076DC | 2 | 60, 70, 80 | X | | | | | | |
| | TRIM Nos. 39A, 39B | | 2823076DG | 2 | 60, 70, 80 | X | | | | | | |
| | TRIM Nos. 10E, 30E, 30G, 30H | | 2816647BA | 2 | 80 | | X | | | | | |
| | TRIM Nos. 11E, 21E | | 2816647CA | 2 | 80 | | X | | | | | |
| | TRIM Nos. 12E, 22E | | 2816647CB | 2 | 80 | | X | | | | | |
| | TRIM Nos. 14E, 24E | | 2816647CD | 2 | 80 | | X | | | | | |
| | TRIM Nos. 16E | | 2816647CE | 2 | 80 | | X | | | | | |
| | TRIM Nos. 18E, 28E | | 2816647CG | 2 | 80 | | X | | | | | |
| | TRIM Nos. 19E | | 2816647CJ | 2 | 80 | | X | | | | | |
| | TRIM Nos. 32E | | 2816647DA | 2 | 80 | | X | | | | | |
| | TRIM Nos. 34E, 34G | | 2816647DB | 2 | 80 | | X | | | | | |
| | TRIM Nos. 35E, 35G | | 2816647DC | 2 | 80 | | X | | | | | |
| | TRIM Nos. 36E, 36G | | 2816647DE | 2 | 80 | | X | | | | | |
| | TRIM Nos. 38E, 38G | | 2816647DF | 2 | 80 | | X | | | | | |
| | TRIM Nos. 39E, 39G | | 2816647DG | 2 | 80 | | X | | | | | |
| 15.520 WINDLACE – Rear door opening | | | | | | | | | | | | |
| | TRIM Nos. 12A, 12B, 12E, 12R | | (⁴⁶ 2816646CB | 2 | 35 | X | X | | X | | | |
| | TRIM Nos. 16E, 16G, 16R, 16T | | (⁴⁶ 2816646CE | 2 | 35 | X | X | | X | | | |
| | TRIM Nos. 17A | | (⁴⁸ 2816646BK | 2 | 35 | X | X | | X | | | |
| | TRIM Nos. 10A, 10B, 10C, 10E, 10G, 10H, 10R, 10T 30A, 30B, 30E, 30G, 30H, 30R, 30T | | (⁴⁷ 2816647BA | 2 | 35 | X | X | | X | | | |
| Note: (⁴⁶ ¾" wide. (⁴⁷ ½" wide. | | | | | | | | | | | | |

"HQ" PARTS CATALOGUE

| GROUP | DESCRIPTION | SIDE | PART No. | QTY. | BODY STYLE | 801 802 | 803 804 | 808 | 811 812 | 814 | 815 816 | 818 |
|---|---|------|---------------------------|------|------------|------------|------------|-----|------------|-----|------------|-----|
| 15.520 WINDLACE – Rear door opening (contd.) | | | | | | | | | | | | |
| | TRIM Nos. 11A, 11B, 11E, 11G, 11R, 11T, 21A, 21B, 21E, 21G, 21R, 21T | | (⁶⁷ 2816647CA | 2 | 35 | X | X | | X | | | |
| | TRIM Nos. 12A, 12B, 12E, 12R, 22A, 22B, 22E, 22R | | (⁶⁷ 2816647CB | 2 | 35 | X | X | | X | | | |
| | TRIM Nos. 14A, 14B, 14E, 14R, 24A, 24B, 24E, 24R | | (⁶⁷ 2816647CD | 2 | 35 | X | X | | X | | | |
| | TRIM Nos. 16E, 16G, 16R, 16T | | (⁶⁷ 2816647CE | 2 | 35 | X | X | | X | | | |
| | TRIM Nos. 17A | | (⁶⁷ 2816647BK | 2 | 35 | X | X | | X | | | |
| | TRIM Nos. 18E, 18H, 18R, 18U, 28E, 28H, 28R, 28U | | (⁶⁷ 2816647CG | 2 | 35 | X | X | | X | | | |
| | TRIM Nos. 19A, 19B, 19E, 19G, 19R, 19T | | (⁶⁷ 2816647CJ | 2 | 35 | X | X | | X | | | |
| | TRIM Nos. 19C | | (⁶⁷ 2816647BL | 2 | 35 | X | X | | X | | | |
| | TRIM Nos. 32A, 32B, 32E, 32R | | (⁶⁷ 2816647DA | 2 | 35 | X | X | | X | | | |
| | TRIM Nos. 34A, 34B, 34E, 34G, 34R, 34T | | (⁶⁷ 2816647DB | 2 | 35 | X | X | | X | | | |
| | TRIM Nos. 35A, 35B, 35E, 35G, 35R | | (⁶⁷ 2816647DC | 2 | 35 | X | X | | X | | | |
| | TRIM Nos. 36E, 36G, 36R, 36T | | (⁶⁷ 2816647DE | 2 | 35 | X | X | | X | | | |
| | TRIM Nos. 38E, 38G, 38R, 38T | | (⁶⁷ 2816647DF | 2 | 35 | X | X | | X | | | |
| | TRIM Nos. 39A, 39B, 39E, 39G, 39R, 39T | | (⁶⁷ 2816647DG | 2 | 35 | X | X | | X | | | |
| | TRIM Nos. 10A, 10B, 10C, 10E, 10G, 10H, 10R, 10T, 10U, 30A, 30B, 30E, 30G, 30H, 30R, 30T | | 2816645BA | 2 | 69 | X | X | | X | | | |
| | TRIM Nos. 11A, 11B, 11E, 11G, 11R, 11T, 21A, 21B, 21E, 21G, 21R, 21T | | 2816645CA | 2 | 69 | X | X | | X | | | |
| | TRIM Nos. 12A, 12B, 12E, 12R, 22A, 22B, 22E, 22R | | 2816645CB | 2 | 69 | X | X | | X | | | |
| | TRIM Nos. 14A, 14B, 14E, 14R, 24A, 24B, 24E, 24R | | 2816645CD | 2 | 69 | X | X | | X | | | |
| | TRIM Nos. 16E, 16G, 16R, 16T | | 2816645CE | 2 | 69 | X | X | | X | | | |
| | TRIM Nos. 17A | | 2816645BK | 2 | 69 | X | X | | X | | | |
| | TRIM Nos. 18E, 18H, 18R, 18U, 28E, 28H, 28R, 28U | | 2816645CG | 2 | 69 | X | X | | X | | | |
| | TRIM Nos. 19A, 19B, 19E, 19G, 19R, 19T | | 2816645CJ | 2 | 69 | X | X | | X | | | |
| | TRIM Nos. 19C | | 2816645BL | 2 | 69 | X | X | | X | | | |
| | TRIM Nos. 32A, 32B, 32E, 32R | | 2816645DA | 2 | 69 | X | X | | X | | | |
| | TRIM Nos. 34A, 34B, 34E, 34G, 34R, 34T | | 2816645DB | 2 | 69 | X | X | | X | | | |
| | TRIM Nos. 35A, 35B, 35E, 35G, 35R | | 2816645DC | 2 | 69 | X | X | | X | | | |
| | TRIM Nos. 36E, 36G, 36R, 36T | | 2816645DE | 2 | 69 | X | X | | X | | | |
| | TRIM Nos. 38E, 38G, 38R, 38T | | 2816645DF | 2 | 69 | X | X | | X | | | |
| | TRIM Nos. 39A, 39B, 39E, 39G, 39R, 39T | | 2816645DG | 2 | 69 | X | X | | X | | | |
| | TRIM Nos. 12R | | (⁶⁶ 2816646CB | 2 | 69 | | | | | X | X | |
| | TRIM Nos. 16R, 16T | | (⁶⁶ 2816646CE | 2 | 69 | | | | | X | X | |
| | TRIM Nos. 10M, 10N, 10R, 10T, 10U, 30M, 30N, 30R, 30T | | (⁶⁷ 2816647BA | 2 | 69 | | | | | X | X | |
| | TRIM Nos. 11M, 11N, 11R, 11T, 21M, 21N, 21R, 21T | | (⁶⁷ 2816647CA | 2 | 69 | | | | | X | X | |
| | TRIM Nos. 12R, 22R | | (⁶⁷ 2816647CB | 2 | 69 | | | | | X | X | |
| | TRIM Nos. 14M, 14R, 24R | | (⁶⁷ 2816647CD | 2 | 69 | | | | | X | X | |
| | TRIM Nos. 16R, 18T | | (⁶⁷ 2816647CE | 2 | 69 | | | | | X | X | |
| | TRIM Nos. 18M, 18N, 18R, 18U, 28M, 28N, 28R, 28U | | (⁶⁷ 2816647CG | 2 | 69 | | | | | X | X | |
| | TRIM Nos. 19M, 19N, 19R, 19T | | (⁶⁷ 2816647CJ | 2 | 69 | | | | | X | X | |
| | TRIM Nos. 32R | | (⁶⁷ 2816647DA | 2 | 69 | | | | | X | X | |
| | TRIM Nos. 34M, 34N, 34R, 34T | | (⁶⁷ 2816647DB | 2 | 69 | | | | | X | X | |
| | TRIM Nos. 35M, 35N, 35R | | (⁶⁷ 2816647DC | 2 | 69 | | | | | X | X | |
| | TRIM Nos. 36R, 36T | | (⁶⁷ 2816647DE | 2 | 69 | | | | | X | X | |
| | TRIM Nos. 38M, 38N, 38R, 38T | | (⁶⁷ 2816647DF | 2 | 69 | | | | | X | X | |
| | TRIM Nos. 39M, 39N, 39R, 39T | | (⁶⁷ 2816647DG | 2 | 69 | | | | | X | X | |
| 15.520 WINDLACE – Rear quarter opening | | | | | | | | | | | | |
| | TRIM Nos. 14E, 14R, 14X, 14Y | | (⁶⁶ 2816650CD | 2 | 37 | | X | X | X | | | X |
| | TRIM Nos. 18E, 18R, 18S, 18X, 18Y | | (⁶⁶ 2816650CG | 2 | 37 | | X | X | X | | | X |
| | TRIM Nos. 10E, 10R, 10S, 10X, 10Y, 10Z 30E, 30G, 30H, 30R, 30T, 30X, 30Y | | (⁶⁶ 2823579BA | 2 | 37 | | X | X | X | | | X |
| | TRIM Nos. 11E, 11R, 11S, 11X, 11Y, 21E, 21R, 21S, 21X, 21Y | | (⁶⁶ 2823579CA | 2 | 37 | | X | X | X | | | X |
| | TRIM Nos. 12E, 12R, 22E, 22R | | (⁶⁶ 2823579CB | 2 | 37 | | X | X | X | | | X |
| | TRIM Nos. 14E, 14R, 14X, 14Y, 24E, 24R, 24X, 24Y | | (⁶⁶ 2823579CD | 2 | 37 | | X | X | X | | | X |
| | TRIM Nos. 16R, 16X, 16Y | | (⁶⁶ 2823579CE | 2 | 37 | | X | X | X | | | X |
| | TRIM Nos. 18E, 18R, 18S, 18X, 18Y, 28E, 28R, 28S | | (⁶⁶ 2823579CG | 2 | 37 | | X | X | X | | | X |
| Note: (⁶⁶ ¾" wide. (⁶⁷ ½" wide. (⁶⁸ ¾" wide. | | | | | | | | | | | | |

"HQ" PARTS CATALOGUE

| GROUP | DESCRIPTION | SIDE | PART No. | QTY. | BODY STYLE | 801 802 | 803 804 | 808 | 811 812 | 814 | 815 816 | 818 |
|---------------|--|------|--------------|------|------------|------------|------------|-----|------------|-----|------------|-----|
| 15.520 | WINDLACE -- Rear quarter opening (contd.) | | | | | | | | | | | |
| | TRIM Nos. 19E, 19R, 19S, 19X, 19Y | | (* 2823579CJ | 2 | 37 | | X | X | X | | | X |
| | TRIM Nos. 32E, 32R | | (* 2823579DA | 2 | 37 | | X | X | X | | | X |
| | TRIM Nos. 34E, 34G, 34R, 34T, 34X, 34Y | | (* 2823579DB | 2 | 37 | | X | X | X | | | X |
| | TRIM Nos. 35E, 35G, 35R, 35X, 35Y | | (* 2823579DC | 2 | 37 | | X | X | X | | | X |
| | TRIM Nos. 36E, 36G, 36R, 36T, 36X, 36Y | | (* 2823579DE | 2 | 37 | | X | X | X | | | X |
| | TRIM Nos. 38E, 38G, 38R, 38T, 38X, 38Y | | (* 2823579DF | 2 | 37 | | X | X | X | | | X |
| | TRIM Nos. 39E, 39G, 39R, 39T, 39X, 39Y | | (* 2823579DG | 2 | 37 | | X | X | X | | | X |

Note: (* 3/8" wide.

"HQ" PARTS CATALOGUE

| PART No. | GROUP | PART No. | GROUP | PART No. | GROUP | PART No. | GROUP | PART No. | GROUP |
|----------|--------|----------|--------|----------|--------|----------|--------|-----------|--------|
| A075BA | 15.311 | D216CB | 14.730 | D470DA | 15.100 | D888CA | 15.100 | E409DA | 15.100 |
| A075CA | 15.311 | D216CD | 14.730 | D470DB | 15.100 | D888CB | 15.100 | E409DB | 15.100 |
| A075CB | 15.311 | D216CE | 14.730 | D470DC | 15.100 | D888CD | 15.100 | E409DC | 15.100 |
| A075CD | 15.311 | D216CG | 14.730 | D470DE | 15.100 | D888CE | 15.100 | E409DE | 15.100 |
| A075CE | 15.311 | D216CJ | 14.730 | D470DF | 15.100 | D888CG | 15.100 | E409DF | 15.100 |
| A075CG | 15.311 | D216CY | 14.730 | D470DG | 15.100 | D888CJ | 15.100 | E409DG | 15.100 |
| A075CJ | 15.311 | D216DA | 14.730 | D470DJ | 15.100 | D888CY | 15.100 | E409DJ | 15.100 |
| A075CY | 15.311 | D216DB | 14.730 | D470DK | 15.100 | D888DA | 15.100 | E409DK | 15.100 |
| A075DA | 15.311 | D216DC | 14.730 | D470DL | 15.100 | D888DB | 15.100 | E409DL | 15.100 |
| A075DB | 15.311 | D216DE | 14.730 | D470DM | 15.100 | D888DC | 15.100 | E409DM | 15.100 |
| A075DC | 15.311 | D216DF | 14.730 | D471BA | 15.100 | D888DE | 15.100 | E410BA | 15.100 |
| A075DD | 15.311 | D216DG | 14.730 | D471BK | 15.100 | D888DF | 15.100 | E410CA | 15.100 |
| A075DE | 15.311 | D217BA | 15.100 | D471BL | 15.100 | D888DG | 15.100 | E410CB | 15.100 |
| A075DF | 15.311 | D217BK | 15.100 | D471CA | 15.100 | D889BA | 15.100 | E410CD | 15.100 |
| A075DG | 15.311 | D217BL | 15.100 | D471CB | 15.100 | D889CA | 15.100 | E410CE | 15.100 |
| CT22 | 0.799 | D217CA | 15.100 | D471CD | 15.100 | D889CB | 15.100 | E410CG | 15.100 |
| D032BA | 15.308 | D217CB | 15.100 | D471CE | 15.100 | D889CD | 15.100 | E410CJ | 15.100 |
| D032CA | 15.308 | D217CD | 15.100 | D471CG | 15.100 | D889CE | 15.100 | E410CY | 15.100 |
| D032CB | 15.308 | D217CE | 15.100 | D471CJ | 15.100 | D889CG | 15.100 | E410DA | 15.100 |
| D032CD | 15.308 | D217CG | 15.100 | D471CK | 15.100 | D889CJ | 15.100 | E410DB | 15.100 |
| D032CE | 15.308 | D217CJ | 15.100 | D471CL | 15.100 | D889CY | 15.100 | E410DC | 15.100 |
| D032CH | 15.308 | D217CK | 15.100 | D471CM | 15.100 | D889DA | 15.100 | E410DE | 15.100 |
| D032CJ | 15.308 | D217CL | 15.100 | D471CS | 15.100 | D889DB | 15.100 | E410DF | 15.100 |
| D032CY | 15.308 | D217CM | 15.100 | D471DA | 15.100 | D889DC | 15.100 | E410DG | 15.100 |
| D032DA | 15.308 | D217CS | 15.100 | D471DB | 15.100 | D889DE | 15.100 | E411BA | 15.100 |
| D032DB | 15.308 | D218BA | 15.100 | D471DC | 15.100 | D889DF | 15.100 | E411CA | 15.100 |
| D032DD | 15.308 | D218BK | 15.100 | D471DE | 15.100 | D889DG | 15.100 | E411CB | 15.100 |
| D032DE | 15.308 | D218BL | 15.100 | D471DF | 15.100 | D903 | 14.890 | E411CD | 15.100 |
| D032DG | 15.308 | D218CA | 15.100 | D471DG | 15.100 | E408BA | 15.100 | E411CE | 15.100 |
| D035BA | 15.308 | D218CB | 15.100 | D471DJ | 15.100 | E408BK | 15.100 | E411CG | 15.100 |
| D035CA | 15.308 | D218CD | 15.100 | D471DK | 15.100 | E408BL | 15.100 | E411CJ | 15.100 |
| D035CB | 15.308 | D218CE | 15.100 | D471DL | 15.100 | E408CA | 15.100 | E411CY | 15.100 |
| D035CD | 15.308 | D218CG | 15.100 | D471DM | 15.100 | E408CB | 15.100 | E411DA | 15.100 |
| D035CE | 15.308 | D218CJ | 15.100 | D811BA | 15.100 | E408CD | 15.100 | E411DB | 15.100 |
| D035CH | 15.308 | D218CK | 15.100 | D811CA | 15.100 | E408CE | 15.100 | E411DC | 15.100 |
| D035CJ | 15.308 | D218CL | 15.100 | D811CB | 15.100 | E408CG | 15.100 | E411DE | 15.100 |
| D035CY | 15.308 | D218CM | 15.100 | D811CD | 15.100 | E408CJ | 15.100 | E411DF | 15.100 |
| D035DA | 15.308 | D218CS | 15.100 | D811CE | 15.100 | E408CK | 15.100 | E411DG | 15.100 |
| D035DB | 15.308 | D456BA | 14.801 | D811CG | 15.100 | E408CL | 15.100 | M33106 | 8.984 |
| D035DD | 15.308 | D456CA | 14.801 | D811CJ | 15.100 | E408CM | 15.100 | M33112 | 8.984 |
| D035DE | 15.308 | D456CB | 14.801 | D811CY | 15.100 | E408CS | 15.100 | M35821 | 0.449 |
| D035DG | 15.308 | D456CD | 14.801 | D811DA | 15.100 | E408CY | 15.100 | M36770 | 15.492 |
| D036BA | 15.308 | D456CE | 14.801 | D811DB | 15.100 | E408DA | 15.100 | M36815 | 4.177 |
| D036CA | 15.308 | D456CG | 14.801 | D811DC | 15.100 | E408DB | 15.100 | M36827 | 14.694 |
| D036CB | 15.308 | D456CJ | 14.801 | D811DE | 15.100 | E408DC | 15.100 | M37015 | 8.823 |
| D036CD | 15.308 | D456CY | 14.801 | D811DF | 15.100 | E408DE | 15.100 | M37016 | 8.823 |
| D036CE | 15.308 | D456DA | 14.801 | D811DG | 15.100 | E408DF | 15.100 | M37017 | 8.823 |
| D036CH | 15.308 | D456DB | 14.801 | D812BA | 15.100 | E408DG | 15.100 | M37018 | 8.823 |
| D036CJ | 15.308 | D456DC | 14.801 | D812CA | 15.100 | E408DJ | 15.100 | M37019 | 8.823 |
| D145 | 15.291 | D456DE | 14.801 | D812CB | 15.100 | E408DK | 15.100 | M37042 | 8.800 |
| D215BA | 14.730 | D456DF | 14.801 | D812CD | 15.100 | E408DL | 15.100 | M37043 | 8.800 |
| D215CA | 14.730 | D456DG | 14.801 | D812CE | 15.100 | E408DM | 15.100 | M37080 | 9.624 |
| D215CB | 14.730 | D470BA | 15.100 | D812CG | 15.100 | E409BA | 15.100 | M37081 | 9.624 |
| D215CD | 14.730 | D470BK | 15.100 | D812CJ | 15.100 | E409BK | 15.100 | M37085 | 9.662 |
| D215CE | 14.730 | D470BL | 15.100 | D812CY | 15.100 | E409BL | 15.100 | M37101BLK | 9.614 |
| D215CG | 14.730 | D470CA | 15.100 | D812DA | 15.100 | E409CA | 15.100 | M37101BLU | 9.614 |
| D215CJ | 14.730 | D470CB | 15.100 | D812DB | 15.100 | E409CB | 15.100 | M37101BRN | 9.614 |
| D215CY | 14.730 | D470CD | 15.100 | D812DE | 15.100 | E409CD | 15.100 | M37101GRN | 9.614 |
| D215DA | 14.730 | D470CE | 15.100 | D812DF | 15.100 | E409CE | 15.100 | M37101MAN | 9.614 |
| D215DB | 14.730 | D470CG | 15.100 | D812DG | 15.100 | E409CJ | 15.100 | M37101MRN | 9.614 |
| D215DC | 14.730 | D470CJ | 15.100 | D856 | 15.280 | E409CK | 15.100 | M37101RED | 9.614 |
| D215DE | 14.730 | D470CK | 15.100 | D857 | 15.280 | E409CL | 15.100 | M37101RYL | 9.614 |
| D215DF | 14.730 | D470CL | 15.100 | D858 | 15.294 | E409CM | 15.100 | M37101TNG | 9.614 |
| D215DG | 14.730 | D470CM | 15.100 | D859 | 15.294 | E409CS | 15.100 | M37102BLK | 9.614 |
| D216BA | 14.730 | D470CS | 15.100 | | | E409CY | 15.100 | M37102BLU | 9.614 |
| D216CA | 14.730 | D470CY | 15.100 | | | | | M37102BRN | 9.614 |

"HQ" PARTS CATALOGUE

| PART No. | GROUP | PART No. | GROUP | PART No. | GROUP | PART No. | GROUP | PART No. | GROUP |
|-----------|--------|----------|--------|----------|--------|----------|--------|----------|--------|
| M37102GRN | 9.614 | M37330 | 8.823 | SP1610 | 3.260 | SP1838DF | 14.800 | SP2044 | 8.910 |
| M37102MAN | 9.614 | M37331 | 8.823 | SP1612 | 8.929 | SP1838DG | 14.830 | SP2045 | 8.910 |
| M37102MRN | 9.614 | M37332 | 8.823 | SP1648 | 0.033 | SP1844 | 8.967 | SP2047 | 8.900 |
| M37102RED | 9.614 | M37333 | 8.823 | SP1649 | 0.033 | SP1848 | 8.977 | SP2048 | 8.956 |
| M37102RLY | 9.614 | M37334 | 8.823 | SP1652 | 0.033 | SP1849 | 2.555 | SP2049 | 8.956 |
| M37102TNG | 9.614 | M37335 | 8.823 | SP1659 | 8.929 | SP1854 | 8.921 | SP2050 | 1.266 |
| M37103BLK | 9.614 | M37336 | 8.823 | SP1672 | 8.910 | SP1855 | 8.977 | SP2052 | 2.342 |
| M37103BLU | 9.614 | M37337 | 8.823 | SP1676 | 7.347 | SP1861 | 8.929 | SP2055 | 8.143 |
| M37103BRN | 9.614 | M37338 | 8.823 | SP1681 | 8.900 | SP1863 | 8.967 | SP2056 | 8.143 |
| M37103GRN | 9.614 | M37339 | 8.823 | SP1696 | 8.906 | SP1865 | 8.948 | SP2058 | 2.481 |
| M37103MAN | 9.614 | M37340 | 8.823 | SP1701 | 8.948 | SP1867 | 2.731 | SP2060 | 8.987 |
| M37103MRN | 9.614 | M37341 | 8.823 | SP1708 | 8.915 | SP1868 | 1.762 | SP2061 | 8.987 |
| M37103RED | 9.614 | M37342 | 8.823 | SP1710 | 10.694 | SP1876 | 8.921 | SP2064 | 8.900 |
| M37103RYL | 9.614 | PF10 | 1.835 | SP1717 | 8.951 | SP1877 | 8.929 | SP2065 | 8.900 |
| M37103TNG | 9.614 | PF29 | 1.835 | SP1722 | 2.596 | SP1879 | 7.371 | SP2066 | 8.900 |
| M37104BLK | 9.614 | SP1003 | 3.430 | SP1724 | 3.910 | SP1882 | 8.929 | SP2067 | 8.900 |
| M37104BLU | 9.614 | SP1004 | 1.166 | SP1725 | 8.948 | SP1884 | 2.515 | SP2068 | 8.900 |
| M37104BRN | 9.614 | SP1017 | 8.987 | SP1730 | 4.035 | SP1890 | 2.041 | SP2069 | 8.900 |
| M37104GRN | 9.614 | SP1018 | 8.987 | SP1733 | 2.728 | SP1891 | 7.370 | SP2070 | 8.900 |
| M37104MAN | 9.614 | SP1020 | 8.987 | SP1735 | 8.950 | SP1896 | 8.908 | SP2071 | 8.900 |
| M37104MRN | 9.614 | SP1050 | 8.930 | SP1747 | 8.921 | SP1897 | 8.900 | SP2072 | 8.900 |
| M37104RED | 9.614 | SP1053 | 8.903 | SP1750 | 2.585 | SP1898 | 8.929 | SP2073 | 8.900 |
| M37104RYL | 9.614 | SP1100 | 12.196 | SP1754 | 8.942 | SP1899 | 7.836 | SP2075 | 8.910 |
| M37104TNG | 9.614 | SP1101 | 12.196 | SP1756 | 8.942 | SP1900 | 8.918 | SP2077 | 8.900 |
| M37105BLK | 9.614 | SP1107 | 8.929 | SP1757 | 8.929 | SP1903 | 8.991 | SP2078 | 8.900 |
| M37105BLU | 9.614 | SP1143 | 8.967 | SP1758 | 8.948 | SP1904 | 8.820 | SP2079 | 8.900 |
| M37105BRN | 9.614 | SP1226 | 8.987 | SP1762 | 9.262 | SP1905 | 8.950 | SP2080 | 8.900 |
| M37105GRN | 9.614 | SP1238 | 8.987 | SP1763 | 3.288 | SP1909 | 4.685 | SP2082 | 8.977 |
| M37105MRN | 9.614 | SP1328 | 8.928 | SP1766 | 0.839 | SP1919 | 3.410 | SP2089 | 8.900 |
| M37105RED | 9.614 | SP1330 | 7.370 | SP1767 | 8.929 | SP1924 | 2.697 | SP2090 | 4.680 |
| M37105RYL | 9.614 | SP1352 | 8.920 | SP1768 | 2.515 | SP1932 | 8.991 | SP2091 | 8.915 |
| M37105TNG | 9.614 | SP1357 | 8.929 | SP1769 | 8.920 | SP1937 | 8.921 | SP2092 | 4.040 |
| M37107 | 3.705 | SP1364 | 8.954 | SP1771 | 8.900 | SP1948 | 4.038 | SP2093 | 8.900 |
| M37108 | 3.705 | SP1387 | 8.967 | SP1774 | 8.950 | SP1956 | 8.928 | SP2094 | 4.311 |
| M37109 | 3.705 | SP1390 | 8.929 | SP1775 | 8.900 | SP1957 | 2.277 | SP2095 | 3.003 |
| M37115 | 9.662 | SP1425 | 8.948 | SP1776 | 8.921 | SP1962 | 8.950 | SP2097 | 8.929 |
| M37118 | 8.823 | SP1438 | 8.929 | SP1778 | 2.342 | SP1968 | 7.020 | SP2101 | 2.481 |
| M37123 | 12.248 | SP1445 | 4.040 | SP1779 | 2.555 | SP1974 | 6.672 | SP2102 | 8.900 |
| M37124 | 10.550 | SP1446 | 8.075 | SP1795 | 2.341 | SP1975 | 0.553 | SP2107 | 6.606 |
| M37125 | 12.248 | SP1450 | 4.662 | SP1796 | 2.342 | SP1976 | 3.902 | SP2108 | 7.836 |
| M37126 | 12.248 | SP1462 | 8.930 | SP1798 | 8.900 | SP1978 | 3.796 | SP2110 | 3.430 |
| M37137 | 2.374 | SP1464 | 8.929 | SP1806 | 8.929 | SP1979 | 6.508 | SP2111 | 8.977 |
| M37151 | 9.262 | SP1467 | 8.991 | SP1807 | 4.019 | SP1982 | 9.778 | SP2112 | 8.977 |
| M37167 | 1.219 | SP1470 | 3.704 | SP1812 | 0.033 | SP1989 | 7.243 | SP2113 | 6.521 |
| M37169 | 1.219 | SP1477 | 8.991 | SP1615 | 8.977 | SP1991 | 10.702 | SP2115 | 8.900 |
| M37187 | 4.667 | SP1486 | 8.931 | SP1816 | 8.917 | SP1994 | 8.900 | SP2117 | 6.524 |
| M37195 | 7.503 | SP1490 | 8.977 | SP1820 | 4.035 | SP1995 | 2.678 | SP2119 | 10.159 |
| M37196 | 10.185 | SP1495 | 12.803 | SP1824 | 8.977 | SP1996 | 2.679 | SP2122 | 8.929 |
| M37206BLK | 9.614 | SP1498 | 2.555 | SP1825 | 8.942 | SP2005 | 7.632 | SP2125 | 8.900 |
| M37206BLU | 9.614 | SP1507 | 4.035 | SP1836 | 4.685 | SP2012 | 2.341 | SP2127 | 8.132 |
| M37206BRN | 9.614 | SP1515 | 8.967 | SP1837 | 8.950 | SP2013 | 8.900 | SP2134 | 4.826 |
| M37206GRN | 9.614 | SP1528 | 0.852 | SP1838BA | 8.154 | SP2014 | 8.900 | SP2139 | 0.683 |
| M37206MAN | 9.614 | SP1533 | 1.426 | SP1838BK | 14.630 | SP2018 | 8.906 | SP2141 | 4.105 |
| M37206MRN | 9.614 | SP1534 | 1.265 | SP1838BL | 14.630 | SP2019 | 8.921 | SP2144 | 8.900 |
| M37206RED | 9.614 | SP1535 | 8.987 | SP1838CA | 14.630 | SP2024 | 2.515 | SP2145 | 8.900 |
| M37206RYL | 9.614 | SP1543 | 1.166 | SP1838CB | 14.630 | SP2027 | 8.900 | SP2149 | 0.839 |
| M37206TNG | 9.614 | SP1548 | 1.270 | SP1838CD | 14.630 | SP2028 | 8.900 | SP2150 | 8.929 |
| M37321 | 8.823 | SP1557 | 8.948 | SP1838CE | 14.630 | SP2029 | 8.900 | SP2153 | 8.508 |
| M37322 | 8.823 | SP1566 | 0.679 | SP1838CG | 14.800 | SP2030 | 8.900 | SP2154 | 8.900 |
| M37323 | 8.823 | SP1572 | 1.166 | SP1838CH | 14.630 | SP2031 | 8.900 | SP2165 | 2.515 |
| M37324 | 8.823 | SP1574 | 8.950 | SP1838CJ | 14.630 | SP2034 | 2.728 | SP2166 | 7.347 |
| M37325 | 8.823 | SP1581 | 6.670 | SP1838DA | 14.630 | SP2035 | 0.830 | SP2168 | 2.515 |
| M37326 | 8.823 | SP1585 | 8.921 | SP1838DB | 14.630 | SP2037 | 8.900 | SP2172 | 8.977 |
| M37327 | 8.823 | SP1605 | 3.159 | SP1838DC | 14.800 | SP2039 | 2.682 | SP2175 | 12.942 |
| M37328 | 8.823 | SP1606 | 8.132 | SP1838DD | 15.024 | SP2040 | 8.900 | SP2176 | 12.116 |
| M37329 | 8.823 | SP1609 | 3.003 | SP1838DE | 14.630 | SP2042 | 4.019 | SP2184 | 8.900 |

"HQ" PARTS CATALOGUE

| PART No. | GROUP | PART No. | GROUP | PART No. | GROUP | PART No. | GROUP | PART No. | GROUP |
|----------|--------|----------|--------|----------|--------|----------|-------|----------|--------|
| SP2186 | 8.900 | SP2335 | 9.787 | VS10448 | 3.779 | VS10855 | 2.379 | VS11354 | 2.085 |
| SP2187 | 8.918 | SP2338 | 8.920 | VS10456 | 3.799 | VS10856 | 2.385 | VS11360 | 5.555 |
| SP2191 | 13.092 | SP2343 | 7.003 | VS10457 | 3.799 | VS10857 | 2.385 | VS11361 | 5.548 |
| SP2192 | 8.977 | SP2345 | 8.903 | VS10458 | 3.799 | VS10858 | 2.384 | VS11368 | 6.530 |
| SP2195 | 8.900 | SP2350 | 8.909 | VS10460 | 3.789 | VS10861 | 2.385 | VS11369 | 8.551 |
| SP2201 | 10.777 | SP2357 | 3.202 | VS10461 | 3.763 | VS10863 | 2.385 | VS11370 | 6.551 |
| SP2202 | 2.515 | SP2359 | 4.685 | VS10463 | 3.792 | VS10865 | 2.382 | VS11371 | 6.551 |
| SP2203 | 4.040 | SP2367 | 3.202 | VS10464 | 3.780 | VS10866 | 2.367 | VS11372 | 6.550 |
| SP2206 | 4.040 | SP2370 | 2.728 | VS10467 | 3.758 | VS10867 | 2.367 | VS11373 | 6.550 |
| SP2207 | 9.786 | SP2372 | 8.915 | VS10468 | 3.758 | VS10868 | 2.368 | VS11377 | 6.551 |
| SP2209 | 10.187 | SP2381 | 1.219 | VS10469 | 3.757 | VS10869 | 2.410 | VS11378 | 6.551 |
| SP2211 | 4.015 | SP2382 | 1.219 | VS10472 | 3.793 | VS10870 | 2.410 | VS11380 | 6.850 |
| SP2212 | 8.900 | SP2383 | 10.160 | VS10474 | 3.734 | VS10882 | 3.724 | VS11390 | 6.822 |
| SP2215 | 2.728 | SP2384 | 1.219 | VS10517 | 3.781 | VS10883 | 3.757 | VS11391 | 6.822 |
| SP2216 | 4.015 | SP2388 | 4.233 | VS10518 | 3.759 | VS10886 | 5.510 | VS11392 | 6.822 |
| SP2219 | 8.900 | SP2398 | 2.515 | VS10519 | 3.760 | VS10893 | 3.799 | VS11393 | 6.807 |
| SP2220 | 8.918 | SP2410 | 2.555 | VS10520 | 3.734 | VS10894 | 3.791 | VS11395 | 6.586 |
| SP2222 | 6.524 | SP2415 | 3.410 | VS10522 | 3.729 | VS10895 | 3.792 | VS11396 | 6.807 |
| SP2223 | 8.923 | SP2427 | 10.829 | VS10523 | 3.748 | VS10896 | 3.783 | VS11397 | 6.807 |
| SP2225 | 2.555 | SP2431 | 2.728 | VS10526 | 3.767 | VS10897 | 3.788 | VS11398 | 6.586 |
| SP2226 | 13.092 | SP2433 | 8.900 | VS10527 | 3.760 | VS10899 | 3.793 | VS11400 | 6.579 |
| SP2227 | 7.020 | SP2441 | 8.900 | VS10528 | 3.779 | VS10901 | 3.754 | VS11401 | 6.585 |
| SP2230 | 9.169 | SP2442 | 8.931 | VS10529 | 3.779 | VS10902 | 3.754 | VS11413 | 6.830 |
| SP2235 | 4.686 | SP2448 | 12.182 | VS10530 | 3.764 | VS10903 | 3.754 | VS11414 | 6.803 |
| SP2236 | 4.055 | SP2452 | 5.382 | VS10562 | 10.150 | VS10904 | 3.727 | VS11417 | 6.803 |
| SP2238 | 0.852 | SP2459 | 4.019 | VS10576 | 4.907 | VS10905 | 3.727 | VS11419 | 6.786 |
| SP2239 | 0.852 | SP2471 | 11.175 | VS10577 | 4.903 | VS10906 | 3.737 | VS11420 | 6.550 |
| SP2240 | 2.810 | SP2483 | 2.515 | VS10578 | 4.907 | VS10907 | 3.737 | VS11421 | 6.552 |
| SP2241 | 7.836 | VS10076 | 8.800 | VS10579 | 4.908 | VS10909 | 3.731 | VS11422 | 6.552 |
| SP2242 | 8.977 | VS10084 | 2.515 | VS10582 | 3.774 | VS10910 | 3.731 | VS11423 | 6.528 |
| SP2246 | 2.728 | VS10085 | 2.515 | VS10604 | 5.548 | VS10911 | 3.731 | VS11424 | 6.527 |
| SP2248 | 8.132 | VS10185 | 3.754 | VS10605 | 5.548 | VS10912 | 3.797 | VS11425 | 6.856 |
| SP2249 | 2.820 | VS10202 | 2.372 | VS10606 | 5.548 | VS10914 | 3.796 | VS11426 | 6.585 |
| SP2250 | 12.803 | VS10203 | 2.381 | VS10607 | 5.548 | VS10915 | 3.798 | VS11427 | 6.585 |
| SP2251 | 8.977 | VS10204 | 2.381 | VS10608 | 5.555 | VS10916 | 3.778 | VS11428 | 6.840 |
| SP2256 | 8.304 | VS10205 | 2.388 | VS10657 | 10.150 | VS10917 | 3.799 | VS11429 | 6.830 |
| SP2258 | 11.388 | VS10206 | 2.388 | VS10686 | 8.800 | VS10922 | 3.748 | VS11430 | 6.586 |
| SP2265 | 8.900 | VS10210 | 2.364 | VS10806 | 3.913 | VS10971 | 2.049 | VS11432 | 6.524 |
| SP2267 | 8.920 | VS10211 | 2.381 | VS10812 | 2.052 | VS10972 | 2.085 | VS11737 | 2.389 |
| SP2270 | 8.977 | VS10215 | 2.100 | VS10813 | 2.108 | VS10973 | 2.085 | VS11738 | 2.389 |
| SP2274 | 8.900 | VS10277 | 8.798 | VS10814 | 2.108 | VS10974 | 3.779 | VS11763 | 2.316 |
| SP2279 | 2.515 | VS10280 | 10.150 | VS10815 | 2.086 | VS10982 | 2.399 | VS11765 | 2.280 |
| SP2280 | 8.900 | VS10285 | 10.150 | VS10816 | 2.087 | VS10986 | 2.389 | VS11767 | 2.306 |
| SP2281 | 8.967 | VS10286 | 10.150 | VS10817 | 2.087 | VS10988 | 2.381 | VS11768 | 2.307 |
| SP2282 | 4.685 | VS10305 | 2.400 | VS10818 | 2.087 | VS10992 | 2.385 | VS11771 | 2.307 |
| SP2284 | 10.187 | VS10306 | 2.381 | VS10819 | 2.087 | VS11002 | 2.410 | VS11773 | 2.298 |
| SP2291 | 7.632 | VS10369 | 5.517 | VS10820 | 2.087 | VS11038 | 3.748 | VS11776 | 2.297 |
| SP2294 | 4.610 | VS10370 | 5.542 | VS10821 | 2.087 | VS11086 | 2.102 | VS11789 | 4.688 |
| SP2295 | 2.341 | VS10371 | 5.511 | VS10822 | 2.100 | VS11087 | 2.102 | VS11793 | 3.731 |
| SP2296 | 2.555 | VS10372 | 5.518 | VS10823 | 2.100 | VS11089 | 2.080 | VS11795 | 3.793 |
| SP2297 | 0.837 | VS10373 | 5.511 | VS10824 | 2.100 | VS11090 | 2.102 | VS11797 | 3.795 |
| SP2298 | 14.803 | VS10374 | 5.543 | VS10826 | 2.096 | VS11091 | 2.077 | VS11799 | 3.789 |
| SP2304 | 11.392 | VS10375 | 5.543 | VS10831 | 2.077 | VS11092 | 2.077 | VS11800 | 3.792 |
| SP2305 | 8.910 | VS10392 | 5.510 | VS10832 | 2.077 | VS11094 | 2.279 | VS11801 | 3.764 |
| SP2309 | 13.092 | VS10393 | 5.527 | VS10841 | 2.362 | VS11146 | 2.085 | VS11802 | 3.764 |
| SP2313 | 4.686 | VS10432 | 3.755 | VS10842 | 2.362 | VS11151 | 3.778 | VS11803 | 3.763 |
| SP2316 | 8.967 | VS10433 | 3.749 | VS10843 | 2.362 | VS11157 | 3.725 | VS11812 | 3.736 |
| SP2319 | 2.188 | VS10437 | 3.729 | VS10844 | 2.362 | VS11161 | 4.907 | VS11813 | 3.735 |
| SP2321 | 9.190 | VS10439 | 3.797 | VS10845 | 2.393 | VS11162 | 3.725 | VS11814 | 3.735 |
| SP2323 | 6.518 | VS10440 | 3.797 | VS10846 | 2.393 | VS11224 | 2.087 | VS11815 | 3.734 |
| SP2326 | 3.521 | VS10442 | 3.796 | VS10847 | 2.385 | VS11279 | 6.803 | VS11816 | 3.731 |
| SP2327 | 7.632 | VS10443 | 3.771 | VS10849 | 2.372 | VS11288 | 6.856 | VS11818 | 3.788 |
| SP2328 | 11.390 | VS10444 | 3.798 | VS10851 | 2.389 | VS11289 | 6.855 | VS11834 | 10.146 |
| SP2330 | 2.500 | VS10445 | 3.773 | VS10852 | 2.389 | VS11290 | 6.855 | VS11843 | 10.150 |
| SP2331 | 8.950 | VS10446 | 3.776 | VS10853 | 2.389 | VS11292 | 6.585 | VS11844 | 10.150 |
| SP2333 | 7.852 | VS10447 | 3.779 | VS10854 | 2.381 | VS11329 | 3.765 | VS11845 | 10.150 |

| PART No. | GROUP | PART No. | GROUP | PART No. | GROUP | PART No. | GROUP | PART No. | GROUP |
|----------|--------|----------|--------|----------|-------|----------|--------|-----------|--------|
| VS11848 | 10.150 | VS11942 | 10.150 | VS12056 | 9.779 | VS12179 | 5.511 | VS12343 | 2.381 |
| VS11849 | 10.150 | VS11943 | 10.150 | VS12057 | 9.779 | VS12180 | 5.518 | VS12345 | 2.372 |
| VS11852 | 10.150 | VS11944 | 10.150 | VS12058 | 9.779 | VS12181 | 5.511 | VS12346 | 2.400 |
| VS11858 | 10.150 | VS11945 | 10.150 | VS12061 | 3.791 | VS12182 | 5.543 | VS12347 | 2.362 |
| VS11859 | 10.150 | VS11946 | 8.798 | VS12063 | 3.725 | VS12183 | 5.543 | VS12348 | 2.362 |
| VS11862 | 10.150 | VS11947 | 10.150 | VS12064 | 3.748 | VS12184 | 5.527 | VS12351 | 2.389 |
| VS11864 | 10.150 | VS11948 | 10.150 | VS12065 | 3.748 | VS12185 | 3.725 | VS12352 | 2.385 |
| VS11865 | 10.150 | VS11949 | 10.150 | VS12068 | 3.727 | VS12186 | 3.725 | VS12353 | 2.374 |
| VS11870 | 8.798 | VS11950 | 10.150 | VS12070 | 3.752 | VS12187 | 3.754 | 12HD48AHP | 2.332 |
| VS11871 | 2.067 | VS11951 | 10.150 | VS12071 | 3.757 | VS12188 | 3.757 | 12HD61AHP | 2.332 |
| VS11872 | 2.067 | VS11953 | 10.150 | VS12072 | 3.725 | VS12194 | 2.682 | 43T | 2.270 |
| VS11873 | 2.067 | VS11955 | 10.150 | VS12073 | 3.754 | VS12195 | 2.684 | 43TS | 2.270 |
| VS11874 | 2.083 | VS11957 | 10.150 | VS12074 | 3.754 | VS12196 | 8.798 | 44T | 2.270 |
| VS11875 | 2.051 | VS11958 | 10.150 | VS12075 | 3.754 | VS12197 | 8.798 | 44TS | 2.270 |
| VS11876 | 2.052 | VS11959 | 10.150 | VS12077 | 3.727 | VS12198 | 8.798 | 45T | 2.270 |
| VS11877 | 2.053 | VS11964 | 2.043 | VS12080 | 2.049 | VS12199 | 8.798 | 43468 | 7.243 |
| VS11878 | 2.052 | VS11965 | 2.049 | VS12081 | 2.077 | VS12200 | 8.798 | 63737 | 10.783 |
| VS11879 | 2.108 | VS11969 | 2.108 | VS12083 | 2.316 | VS12201 | 8.798 | 100004 | 8.900 |
| VS11881 | 2.087 | VS11970 | 2.052 | VS12084 | 2.307 | VS12202 | 8.798 | 100123 | 8.900 |
| VS11882 | 2.087 | VS11971 | 2.063 | VS12085 | 2.307 | VS12203 | 8.798 | 100134 | 8.900 |
| VS11883 | 2.085 | VS11973 | 2.102 | VS12086 | 2.279 | VS12204 | 8.798 | 100136 | 8.900 |
| VS11885 | 2.101 | VS11986 | 9.779 | VS12087 | 2.297 | VS12205 | 8.798 | 100161 | 8.900 |
| VS11887 | 2.041 | VS11987 | 9.779 | VS12088 | 2.289 | VS12206 | 8.798 | 102634 | 8.915 |
| VS11888 | 2.041 | VS11988 | 9.779 | VS12089 | 2.289 | VS12207 | 8.798 | 102635 | 8.915 |
| VS11889 | 2.515 | VS11989 | 9.779 | VS12090 | 2.310 | VS12208 | 8.798 | 102647 | 8.917 |
| VS11890 | 2.515 | VS11990 | 4.342 | VS12091 | 2.289 | VS12217 | 7.640 | 102648 | 8.917 |
| VS11891 | 2.515 | VS11991 | 4.342 | VS12092 | 2.307 | VS12250 | 10.147 | 103026 | 8.915 |
| VS11892 | 2.515 | VS11992 | 4.342 | VS12096 | 4.265 | VS12260 | 2.589 | 103320 | 8.931 |
| VS11893 | 2.515 | VS12007 | 5.510 | VS12097 | 2.515 | VS12261 | 2.586 | 103321 | 8.931 |
| VS11894 | 2.515 | VS12008 | 5.510 | VS12099 | 2.515 | VS12262 | 2.590 | 103322 | 8.931 |
| VS11895 | 2.515 | VS12012 | 2.381 | VS12100 | 2.515 | VS12263 | 2.586 | 103328 | 8.931 |
| VS11896 | 2.515 | VS12014 | 2.310 | VS12101 | 2.515 | VS12264 | 2.586 | 103329 | 8.931 |
| VS11897 | 2.515 | VS12015 | 2.305 | VS12102 | 2.515 | VS12265 | 2.589 | 103339 | 8.929 |
| VS11898 | 2.515 | VS12016 | 2.279 | VS12103 | 2.515 | VS12266 | 2.590 | 103373 | 8.938 |
| VS11899 | 2.515 | VS12019 | 2.289 | VS12104 | 2.515 | VS12274 | 7.505 | 103374 | 8.938 |
| VS11900 | 2.515 | VS12020 | 2.289 | VS12105 | 2.515 | VS12275 | 7.505 | 103385 | 8.938 |
| VS11901 | 2.515 | VS12021 | 2.297 | VS12106 | 2.515 | VS12276 | 7.505 | 103386 | 8.938 |
| VS11902 | 2.515 | VS12022 | 2.291 | VS12107 | 2.515 | VS12277 | 7.505 | 103565 | 8.940 |
| VS11903 | 2.515 | VS12023 | 2.285 | VS12108 | 2.515 | VS12278 | 7.505 | 103868 | 8.971 |
| VS11904 | 2.515 | VS12024 | 2.286 | VS12109 | 2.515 | VS12279 | 7.505 | 104251 | 8.967 |
| VS11905 | 2.515 | VS12025 | 2.289 | VS12115 | 3.754 | VS12280 | 7.505 | 106285 | 5.400 |
| VS11906 | 2.515 | VS12026 | 2.316 | VS12116 | 3.752 | VS12281 | 7.505 | 106331 | 8.900 |
| VS11907 | 2.515 | VS12027 | 2.307 | VS12117 | 3.754 | VS12282 | 7.505 | 106495 | 8.931 |
| VS11908 | 2.515 | VS12028 | 2.315 | VS12121 | 3.795 | VS12283 | 7.505 | 106751 | 0.728 |
| VS11909 | 2.515 | VS12030 | 2.305 | VS12122 | 3.729 | VS12284 | 7.505 | 106973 | 5.539 |
| VS11910 | 2.515 | VS12032 | 2.307 | VS12128 | 8.798 | VS12285 | 7.505 | 107285 | 8.967 |
| VS11911 | 3.758 | VS12033 | 2.279 | VS12129 | 8.798 | VS12286 | 7.505 | 107762 | 8.938 |
| VS11918 | 4.667 | VS12034 | 2.297 | VS12130 | 8.798 | VS12287 | 7.505 | 108580 | 8.931 |
| VS11919 | 4.902 | VS12035 | 2.289 | VS12131 | 8.798 | VS12288 | 7.505 | 108586 | 8.900 |
| VS11923 | 4.907 | VS12036 | 2.289 | VS12132 | 8.798 | VS12289 | 7.505 | 108597 | 8.900 |
| VS11926 | 4.666 | VS12038 | 2.291 | VS12133 | 8.798 | VS12290 | 7.505 | 111285 | 8.967 |
| VS11927 | 4.668 | VS12039 | 2.291 | VS12134 | 8.798 | VS12291 | 7.505 | 113897 | 4.103 |
| VS11928 | 5.020 | VS12040 | 2.291 | VS12135 | 8.798 | VS12292 | 7.505 | 114468 | 4.226 |
| VS11929 | 5.020 | VS12041 | 2.285 | VS12136 | 8.798 | VS12293 | 7.505 | 114494 | 8.916 |
| VS11930 | 5.020 | VS12042 | 2.310 | VS12137 | 8.798 | VS12310 | 3.752 | 114496 | 8.916 |
| VS11931 | 5.020 | VS12043 | 2.289 | VS12138 | 8.798 | VS12311 | 3.754 | 114497 | 8.916 |
| VS11932 | 5.018 | VS12044 | 9.779 | VS12139 | 8.798 | VS12312 | 2.589 | 114502 | 8.916 |
| VS11933 | 4.908 | VS12046 | 9.779 | VS12140 | 8.798 | VS12313 | 2.586 | 114605 | 8.932 |
| VS11934 | 9.779 | VS12047 | 9.779 | VS12142 | 5.555 | VS12333 | 2.585 | 114627 | 8.963 |
| VS11935 | 9.779 | VS12048 | 9.779 | VS12143 | 5.548 | VS12334 | 2.585 | 114942 | 8.915 |
| VS11936 | 9.779 | VS12049 | 9.779 | VS12144 | 5.548 | VS12335 | 2.585 | 115109 | 8.931 |
| VS11937 | 9.779 | VS12050 | 9.779 | VS12149 | 4.906 | VS12336 | 3.725 | 115658 | 8.900 |
| VS11938 | 9.779 | VS12051 | 9.779 | VS12151 | 4.907 | VS12337 | 3.725 | 116341 | 8.963 |
| VS11939 | 9.779 | VS12052 | 9.779 | VS12155 | 3.757 | VS12338 | 2.305 | 116493 | 8.900 |
| VS11940 | 9.779 | VS12053 | 9.779 | VS12177 | 5.517 | VS12339 | 2.297 | 117212 | 8.917 |
| VS11941 | 10.150 | VS12054 | 9.779 | VS12178 | 5.542 | VS12340 | 2.410 | 117461 | 8.900 |

"HQ" PARTS CATALOGUE

| PART No. | GROUP | PART No. | GROUP | PART No. | GROUP | PART No. | GROUP | PART No. | GROUP |
|----------|-------|----------|-------|----------|-------|----------|-------|----------|-------|
| 118773 | 8.929 | 121986 | 8.900 | 137406 | 8.963 | 161422 | 8.977 | 180124 | 8.900 |
| 118775 | 8.929 | 121999 | 8.900 | 137414 | 8.963 | 161439 | 8.977 | 180125 | 8.900 |
| 118776 | 8.929 | 122007 | 8.900 | 137508 | 8.915 | 161752 | 8.977 | 180126 | 8.900 |
| 119117 | 8.938 | 122017 | 4.040 | 137509 | 8.915 | 161755 | 8.304 | 180127 | 8.900 |
| 119254 | 8.917 | 122022 | 8.900 | 137871 | 8.967 | 161790 | 8.977 | 180132 | 8.900 |
| 119981 | 8.938 | 122104 | 8.900 | 137948 | 8.967 | 161801 | 8.977 | 180137 | 8.900 |
| 120214 | 8.931 | 122119 | 8.900 | 138479 | 8.932 | 161860 | 8.977 | 180138 | 8.900 |
| 120217 | 8.931 | 122126 | 8.900 | 138485 | 8.932 | 161869 | 8.977 | 180144 | 8.900 |
| 120228 | 8.900 | 122138 | 8.900 | 138489 | 8.932 | 161871 | 8.977 | 180145 | 8.900 |
| 120229 | 8.900 | 122145 | 8.900 | 138530 | 8.932 | 161892 | 8.977 | 180157 | 8.900 |
| 120233 | 8.900 | 122150 | 8.900 | 138538 | 8.932 | 161895 | 8.977 | 180162 | 8.900 |
| 120361 | 8.915 | 122162 | 8.900 | 138542 | 8.932 | 161901 | 8.977 | 180768 | 8.900 |
| 120367 | 8.915 | 122181 | 8.900 | 138617 | 8.932 | 162113 | 8.977 | 181116 | 8.900 |
| 120368 | 8.915 | 122246 | 8.900 | 138740 | 8.971 | 162292 | 8.977 | 181385 | 8.900 |
| 120369 | 8.915 | 122253 | 8.900 | 140239 | 8.930 | 162296 | 8.977 | 181408 | 8.900 |
| 120375 | 8.915 | 122267 | 8.900 | 140240 | 8.930 | 162396 | 8.977 | 181591 | 8.900 |
| 120376 | 8.915 | 122273 | 8.900 | 141149 | 4.103 | 162397 | 8.977 | 181595 | 8.900 |
| 120377 | 8.915 | 122279 | 8.900 | 141192 | 0.208 | 162474 | 8.977 | 181596 | 8.900 |
| 120378 | 8.915 | 122340 | 8.900 | 141202 | 0.736 | 162683 | 8.977 | 181608 | 8.900 |
| 120379 | 8.931 | 122354 | 8.900 | 141216 | 0.083 | 162688 | 8.977 | 181643 | 8.900 |
| 120380 | 8.931 | 122459 | 8.900 | 141221 | 4.103 | 162696 | 8.977 | 181645 | 6.524 |
| 120382 | 8.931 | 123316 | 8.900 | 141223 | 8.939 | 162701 | 8.977 | 181667 | 8.900 |
| 120383 | 8.931 | 123435 | 8.900 | 142220 | 8.977 | 162703 | 8.977 | 181669 | 8.900 |
| 120384 | 8.931 | 123450 | 8.900 | 142247 | 8.915 | 163024 | 8.977 | 181671 | 8.900 |
| 120385 | 8.929 | 123520 | 8.900 | 142456 | 8.991 | 163098 | 8.977 | 181673 | 8.900 |
| 120386 | 8.929 | 123540 | 8.900 | 142953 | 8.940 | 163158 | 2.515 | 186309 | 5.400 |
| 120389 | 8.929 | 123774 | 8.900 | 143343 | 8.983 | 163160 | 8.977 | 186412 | 8.977 |
| 120391 | 8.929 | 123841 | 8.900 | 144542 | 0.728 | 163162 | 8.977 | 186493 | 8.900 |
| 120392 | 8.929 | 124094 | 8.900 | 144811 | 8.977 | 163210 | 8.977 | 186619 | 8.900 |
| 120393 | 8.929 | 124824 | 8.916 | 145027 | 4.040 | 163401 | 8.977 | 186634 | 8.900 |
| 120394 | 8.929 | 124829 | 8.916 | 145189 | 8.977 | 163404 | 8.977 | 186678 | 4.356 |
| 120395 | 8.929 | 124920 | 8.916 | 145193 | 8.977 | 163450 | 8.977 | 187119 | 8.931 |
| 120423 | 8.932 | 124925 | 8.916 | 145475 | 4.128 | 163467 | 8.977 | 187343 | 8.983 |
| 120426 | 8.900 | 124939 | 6.234 | 145496 | 8.921 | 169162 | 0.830 | 187375 | 6.843 |
| 120487 | 8.963 | 125233 | 8.917 | 147458 | 8.975 | 171041 | 8.977 | 187979 | 8.900 |
| 120488 | 8.963 | 125250 | 8.917 | 147489 | 4.311 | 178378 | 8.932 | 188154 | 8.900 |
| 120520 | 8.950 | 125706 | 8.977 | 147514 | 8.921 | 179795 | 8.900 | 188712 | 8.910 |
| 120613 | 8.916 | 126774 | 8.906 | 147672 | 8.910 | 179816 | 4.105 | 189301 | 8.900 |
| 120614 | 8.915 | 127968 | 8.900 | 148148 | 4.294 | 179817 | 8.900 | 189302 | 8.900 |
| 120619 | 8.923 | 128270 | 8.977 | 154005 | 3.796 | 179818 | 8.900 | 189304 | 8.900 |
| 120622 | 8.915 | 131014 | 8.929 | 154061 | 8.907 | 179819 | 8.900 | 189305 | 8.900 |
| 120638 | 8.931 | 131015 | 8.929 | 155937 | 8.908 | 179822 | 8.900 | 189334 | 8.900 |
| 120647 | 8.900 | 131046 | 8.931 | 156417 | 8.908 | 179824 | 8.900 | 189335 | 8.900 |
| 120677 | 8.900 | 131099 | 8.931 | 156544 | 8.908 | 179826 | 8.900 | 189342 | 8.900 |
| 120687 | 8.907 | 131181 | 8.931 | 156950 | 8.977 | 179838 | 8.900 | 190075 | 8.977 |
| 120706 | 8.900 | 131183 | 8.931 | 157026 | 8.909 | 179841 | 8.900 | 190338 | 8.963 |
| 120741 | 8.900 | 131954 | 8.907 | 157057 | 8.909 | 179842 | 8.900 | 191522 | 8.967 |
| 120834 | 8.900 | 132100 | 8.907 | 157614 | 8.909 | 179843 | 8.900 | 191875 | 8.910 |
| 120854 | 8.900 | 132859 | 8.977 | 157716 | 8.913 | 179845 | 4.317 | 191879 | 8.910 |
| 120918 | 8.900 | 132908 | 8.906 | 159336 | 8.910 | 179850 | 8.900 | 191983 | 8.908 |
| 121222 | 8.938 | 133822 | 8.908 | 159572 | 8.910 | 179865 | 4.317 | 191985 | 8.910 |
| 121224 | 8.938 | 134512 | 8.932 | 159577 | 8.910 | 179866 | 8.900 | 192347 | 8.900 |
| 121358 | 8.915 | 134530 | 8.915 | 159592 | 8.910 | 179868 | 4.317 | 215723 | 0.837 |
| 121574 | 8.931 | 134551 | 8.915 | 159675 | 8.910 | 180015 | 8.900 | 220425 | 8.900 |
| 121615 | 8.900 | 134568 | 8.915 | 159858 | 8.910 | 180016 | 8.900 | 220426 | 8.900 |
| 121637 | 8.931 | 134794 | 8.967 | 159908 | 8.910 | 180073 | 8.900 | 220595 | 8.900 |
| 121661 | 8.900 | 135629 | 8.932 | 159920 | 8.910 | 180075 | 8.900 | 221154 | 8.977 |
| 121744 | 8.931 | 136669 | 8.967 | 159947 | 8.910 | 180079 | 8.900 | 224255 | 8.900 |
| 121752 | 8.932 | 136678 | 8.967 | 159962 | 8.910 | 180080 | 8.900 | 266800 | 6.844 |
| 121753 | 8.932 | 136857 | 8.932 | 159967 | 8.977 | 180081 | 8.900 | 271501 | 8.915 |
| 121797 | 8.900 | 137159 | 8.938 | 160505 | 8.910 | 180116 | 4.156 | 271505 | 8.915 |
| 121841 | 8.931 | 137396 | 8.963 | 160515 | 8.910 | 180119 | 8.900 | 271506 | 8.915 |
| 121867 | 8.900 | 137397 | 8.963 | 160536 | 8.910 | 180120 | 8.900 | 272233 | 8.915 |
| 121887 | 8.900 | 137398 | 8.963 | 160541 | 8.910 | 180121 | 8.900 | 272312 | 8.917 |
| 121890 | 8.900 | 137399 | 8.963 | 161340 | 8.977 | 180122 | 8.900 | 272733 | 8.132 |
| 121926 | 8.900 | 137404 | 8.963 | 161373 | 8.977 | 180123 | 8.900 | 272846 | 4.931 |

| PART No. | GROUP | PART No. | GROUP | PART No. | GROUP | PART No. | GROUP | PART No. | GROUP |
|----------|--------|----------|--------|----------|--------|----------|--------|----------|--------|
| 272847 | 3.003 | 451401 | 8.915 | 954750 | 1.108 | 1932197 | 2.108 | 2805728 | 6.164 |
| 272876 | 8.918 | 451580 | 8.913 | 987499 | 9.667 | 1935621 | 2.364 | 2805794 | 0.423 |
| 273330 | 8.921 | 451790 | 8.977 | 993502 | 9.667 | 1935645 | 2.102 | 2805795 | 0.443 |
| 273445 | 8.977 | 453468 | 2.055 | 993970 | 9.667 | 1938116 | 2.381 | 2805921 | 11.204 |
| 273446 | 8.977 | 453566 | 8.899 | 1018694 | 2.370 | 1938193 | 2.370 | 2806368 | 0.096 |
| 273447 | 8.977 | 453571 | 8.899 | 1108400 | 2.041 | 1938527 | 2.387 | 2806369 | 0.096 |
| 273708 | 2.515 | 453593 | 4.311 | 1111500 | 2.361 | 1939970 | 2.077 | 2806370 | 0.096 |
| 273807 | 8.918 | 453647 | 2.393 | 1114356 | 2.100 | 1940477 | 2.052 | 2806372 | 0.096 |
| 274244 | 1.516 | 453670 | 5.518 | 1116163 | 2.410 | 1941111 | 2.077 | 2806373 | 0.096 |
| 274430 | 8.900 | 453676 | 8.941 | 1131046 | 9.170 | 1941113 | 2.102 | 2806374 | 0.096 |
| 274517 | 8.929 | 454293 | 8.900 | 1194360 | 1.609 | 1942518 | 2.400 | 2806375 | 0.106 |
| 274560 | 4.311 | 454466 | 8.900 | 1199080 | 1.609 | 1945548 | 2.385 | 2806376 | 0.106 |
| 274613 | 4.226 | 454512 | 1.643 | 1230707 | 9.275 | 1949084 | 2.364 | 2806377 | 0.106 |
| 274672 | 8.900 | 454563 | 8.941 | 1239465 | 1.123 | 1949538 | 2.102 | 2806379 | 0.106 |
| 274762 | 8.977 | 454649 | 8.975 | 1239469 | 1.123 | 1950064 | 2.102 | 2806380 | 0.106 |
| 274865 | 8.929 | 454774 | 8.900 | 1354671 | 0.829 | 1950069 | 2.102 | 2806381 | 0.106 |
| 281969DF | 14.650 | 454782 | 8.910 | 1357282 | 4.265 | 1950071 | 2.102 | 2806382 | 0.616 |
| 328289 | 2.555 | 454848 | 8.900 | 1359270 | 4.337 | 1950569 | 2.362 | 2806383 | 0.616 |
| 381909 | 6.168 | 454864 | 8.900 | 1359272 | 4.337 | 1951099 | 2.385 | 2806384 | 0.094 |
| 384220 | 6.176 | 454869 | 8.900 | 1359273 | 4.337 | 1951567 | 2.108 | 2806385 | 0.094 |
| 385076 | 9.281 | 454885 | 8.900 | 1359319 | 4.338 | 1954842 | 2.086 | 2806386 | 0.094 |
| 393996 | 1.064 | 454905 | 8.900 | 1362048 | 4.337 | 1955499 | 2.102 | 2806388 | 0.094 |
| 402410 | 6.176 | 454906 | 8.900 | 1362215 | 4.337 | 1956226 | 2.102 | 2806389 | 0.094 |
| 405728 | 4.030 | 454922 | 8.900 | 1362293 | 4.337 | 1958599 | 2.374 | 2806390 | 0.094 |
| 412562 | 0.649 | 454924 | 8.900 | 1362294 | 4.337 | 1958679 | 2.102 | 2806399 | 0.616 |
| 423335 | 8.900 | 454943 | 8.900 | 1363951 | 4.223 | 1960244 | 2.102 | 2806400 | 0.616 |
| 423345 | 8.900 | 455105 | 8.941 | 1367656 | 4.019 | 1961234 | 2.385 | 2806512 | 10.220 |
| 425224 | 8.963 | 455106 | 2.108 | 1368774 | 4.055 | 1962141 | 2.385 | 2806600 | 3.163 |
| 425348 | 8.900 | 455277 | 8.941 | 1373122 | 4.337 | 1963519 | 2.102 | 2806603 | 10.529 |
| 426663 | 8.938 | 455404 | 8.977 | 1476675 | 10.777 | 1963525 | 2.102 | 2806617 | 4.081 |
| 426706 | 8.938 | 455481 | 4.016 | 1485553 | 9.281 | 1964784 | 2.895 | 2806691 | 0.413 |
| 431534 | 8.928 | 455490 | 8.991 | 1521708 | 3.931 | 1964785 | 2.895 | 2806758 | 3.003 |
| 432750 | 8.975 | 455862 | 8.941 | 1521953 | 3.913 | 1965047 | 2.101 | 2806776 | 8.800 |
| 435611 | 8.900 | 456632 | 8.900 | 1521985 | 3.902 | 1965724 | 2.043 | 2806877 | 6.606 |
| 435847 | 4.422 | 456652 | 2.379 | 1522046 | 3.922 | 1965730 | 2.049 | 2806911 | 10.529 |
| 436567 | 8.910 | 456722 | 4.433 | 1522199 | 3.925 | 1965864 | 2.379 | 2806912 | 10.529 |
| 436732 | 8.910 | 456754 | 8.903 | 1523093 | 3.920 | 1966034 | 2.102 | 2806962 | 11.925 |
| 440502 | 1.266 | 456785 | 8.975 | 1523094 | 3.903 | 1966391 | 2.102 | 2806963 | 11.928 |
| 441239 | 8.921 | 457007 | 8.900 | 1523099 | 3.929 | 1966407 | 2.362 | 2807060 | 11.376 |
| 441240 | 8.921 | 476737 | 4.681 | 1533669 | 1.762 | 1966923 | 2.052 | 2807061 | 11.376 |
| 442689 | 8.910 | 477721 | 4.035 | 1554094 | 3.410 | 1967196 | 2.372 | 2807062 | 11.376 |
| 443527 | 2.052 | 477821 | 4.035 | 1814997 | 0.736 | 1967747 | 2.052 | 2807098 | 5.382 |
| 443770 | 8.939 | 481375 | 9.275 | 1837617 | 2.379 | 1969309 | 2.085 | 2807099 | 11.925 |
| 443874 | 8.900 | 492351 | 5.803 | 1846722 | 2.895 | 1970469 | 2.077 | 2807116 | 0.844 |
| 444028 | 8.963 | 513975 | 1.453 | 1853342 | 2.102 | 1971244 | 2.367 | 2807124 | 14.925 |
| 444577 | 0.033 | 531433 | 3.159 | 1869573 | 2.393 | 1971247 | 2.382 | 2807236 | 2.361 |
| 444612 | 8.971 | 585927 | 0.269 | 1881371 | 2.388 | 1997037 | 2.459 | 2807323 | 10.270 |
| 444613 | 4.103 | 591022 | 4.358 | 1883115 | 2.102 | 1998981 | 9.786 | 2807324 | 10.270 |
| 444619 | 8.971 | 591150 | 4.357 | 1906945 | 2.051 | 2185729 | 2.515 | 2807325 | 10.270 |
| 444625 | 8.971 | 599119 | 2.424 | 1908587 | 2.389 | 2805057 | 4.133 | 2807707 | 4.019 |
| 444782 | 8.971 | 805790 | 2.102 | 1923907 | 2.083 | 2805059 | 4.133 | 2807717 | 3.260 |
| 444788 | 0.269 | 809593 | 2.054 | 1923935 | 2.102 | 2805207 | 4.019 | 2807728 | 3.402 |
| 444819 | 0.033 | 810601 | 2.047 | 1926605 | 2.055 | 2805347 | 1.153 | 2807752 | 2.424 |
| 446121 | 8.929 | 815540 | 2.102 | 1926618 | 2.052 | 2805402 | 3.720 | 2807754 | 3.459 |
| 446130 | 8.929 | 818265 | 2.063 | 1926622 | 2.053 | 2805461 | 3.720 | 2807836 | 3.430 |
| 446152 | 8.929 | 836159 | 3.783 | 1926640 | 2.108 | 2805483 | 3.265 | 2807897 | 4.017 |
| 446161 | 8.929 | 838029 | 0.310 | 1927848 | 2.096 | 2805499 | 4.009 | 2807914 | 3.726 |
| 446188 | 8.929 | 838538 | 0.093 | 1927849 | 2.096 | 2805510 | 6.164 | 2808122 | 12.116 |
| 446212 | 8.929 | 838653 | 0.870 | 1927850 | 2.096 | 2805636 | 11.011 | 2808124 | 5.510 |
| 446354 | 8.929 | 839756 | 0.669 | 1928015 | 2.052 | 2805637 | 11.011 | 2808133 | 3.796 |
| 446363 | 8.929 | 854005 | 3.905 | 1928966 | 2.067 | 2805638 | 11.011 | 2808136 | 3.720 |
| 446548 | 8.929 | 858388 | 2.447 | 1931988 | 2.384 | 2805639 | 11.011 | 2808162 | 3.260 |
| 446680 | 8.910 | 862108 | 12.196 | 1932002 | 2.400 | 2805673 | 11.015 | 2808164 | 3.261 |
| 446716 | 8.921 | 907474 | 4.408 | 1932004 | 2.393 | 2805674 | 11.015 | 2808182 | 3.925 |
| 449809 | 8.977 | 907572 | 4.355 | 1932023 | 2.401 | 2805685 | 3.260 | 2808183 | 3.901 |
| 449813 | 8.977 | 907963 | 0.799 | 1932024 | 2.385 | 2805716 | 5.382 | 2808189 | 1.062 |

"HQ" PARTS CATALOGUE

| PART No. | GROUP | PART No. | GROUP | PART No. | GROUP | PART No. | GROUP | PART No. | GROUP |
|----------|--------|----------|--------|----------|--------|----------|--------|----------|--------|
| 2808199 | 2.274 | 2809885 | 11.204 | 2810539 | 8.234 | 2811262 | 5.382 | 2811631 | 10.268 |
| 2808200 | 2.277 | 2809917 | 3.796 | 2810546 | 12.811 | 2811308 | 11.420 | 2811638 | 12.956 |
| 2808258 | 9.640 | 2809918 | 3.796 | 2810547 | 12.811 | 2811316 | 7.370 | 2811639 | 12.956 |
| 2808367 | 1.069 | 2809920 | 3.797 | 2810637 | 11.373 | 2811327 | 4.030 | 2811640 | 12.940 |
| 2808386 | 0.738 | 2809921 | 3.796 | 2810638 | 11.373 | 2811328 | 4.030 | 2811641 | 12.940 |
| 2808656 | 5.813 | 2809922 | 3.796 | 2810692 | 0.289 | 2811329 | 4.030 | 2811644 | 1.516 |
| 2808752 | 4.685 | 2809928 | 3.159 | 2810696 | 4.834 | 2811339 | 4.015 | 2811647 | 4.650 |
| 2808856 | 7.020 | 2809932 | 3.159 | 2810741 | 11.374 | 2811342 | 4.015 | 2811648 | 4.650 |
| 2808857 | 7.020 | 2809933 | 3.159 | 2810747 | 12.116 | 2811344 | 4.015 | 2811649 | 4.650 |
| 2808869 | 12.982 | 2809934 | 4.279 | 2810771 | 7.240 | 2811349 | 12.212 | 2811650 | 4.651 |
| 2808870 | 12.982 | 2809937 | 3.796 | 2810775 | 6.008 | 2811353 | 12.944 | 2811651 | 4.651 |
| 2808871 | 12.982 | 2809957 | 12.982 | 2810776 | 6.008 | 2811354 | 0.646 | 2811652 | 12.184 |
| 2808872 | 12.982 | 2809969 | 3.159 | 2810803 | 7.003 | 2811358 | 11.374 | 2811678 | 11.420 |
| 2808873 | 12.982 | 2810034 | 6.803 | 2810820 | 6.508 | 2811359 | 11.374 | 2811679 | 1.723 |
| 2808985 | 6.870 | 2810036 | 6.850 | 2810822 | 11.420 | 2811360 | 11.589 | 2811680 | 1.659 |
| 2808988 | 7.242 | 2810038 | 6.855 | 2810841 | 8.761 | 2811361 | 11.588 | 2811685 | 11.420 |
| 2809014 | 5.504 | 2810043 | 6.786 | 2810844 | 10.230 | 2811362 | 11.420 | 2811687 | 12.942 |
| 2809015 | 5.504 | 2810080 | 12.972 | 2810846 | 12.804 | 2811364 | 4.081 | 2811688 | 12.942 |
| 2809100 | 3.410 | 2810124 | 12.972 | 2810848 | 7.241 | 2811366 | 11.589 | 2811703 | 12.116 |
| 2809107 | 6.232 | 2810210 | 8.132 | 2810893 | 12.940 | 2811370 | 0.646 | 2811707 | 12.956 |
| 2809115 | 6.111 | 2810214 | 7.536 | 2810894 | 12.940 | 2811383 | 12.184 | 2811708 | 12.956 |
| 2809189 | 7.545 | 2810221 | 3.402 | 2810916 | 12.237 | 2811384 | 12.184 | 2811710 | 12.966 |
| 2809219 | 8.164 | 2810226 | 12.940 | 2810932 | 4.003 | 2811388 | 10.262 | 2811711 | 12.966 |
| 2809235 | 5.395 | 2810227 | 12.940 | 2810934 | 11.200 | 2811389 | 10.262 | 2811713 | 12.966 |
| 2809247 | 12.984 | 2810245 | 11.200 | 2810960 | 12.491 | 2811393 | 0.033 | 2811724 | 11.581 |
| 2809248 | 12.984 | 2810254 | 6.807 | 2810961 | 12.491 | 2811394 | 0.033 | 2811734 | 11.629 |
| 2809276 | 6.168 | 2810255 | 6.809 | 2810994 | 11.420 | 2811396 | 0.033 | 2811735 | 11.629 |
| 2809277 | 6.168 | 2810257 | 6.830 | 2810995 | 11.420 | 2811397 | 0.629 | 2811742 | 8.758 |
| 2809280 | 6.859 | 2810258 | 6.852 | 2810996 | 11.420 | 2811398 | 0.629 | 2811743 | 4.007 |
| 2809281 | 6.859 | 2810259 | 6.852 | 2810997 | 11.420 | 2811399 | 0.629 | 2811744 | 4.007 |
| 2809284 | 1.426 | 2810263 | 12.952 | 2810998 | 11.420 | 2811400 | 0.629 | 2811745 | 11.373 |
| 2809290 | 4.309 | 2810326 | 12.242 | 2811014 | 4.265 | 2811401 | 10.506 | 2811746 | 11.373 |
| 2809294 | 1.656 | 2810329 | 7.865 | 2811022 | 4.035 | 2811402 | 0.629 | 2811771 | 2.679 |
| 2809297 | 1.516 | 2810333 | 12.982 | 2811023 | 4.035 | 2811403 | 0.629 | 2811772 | 2.680 |
| 2809319 | 12.982 | 2810334 | 12.982 | 2811024 | 4.035 | 2811404 | 0.629 | 2811774 | 2.684 |
| 2809324 | 6.168 | 2810337 | 12.982 | 2811032 | 4.045 | 2811405 | 0.629 | 2811775 | 2.682 |
| 2809325 | 6.168 | 2810346 | 12.807 | 2811054 | 1.071 | 2811407 | 0.629 | 2811776 | 2.682 |
| 2809328 | 5.382 | 2810347 | 10.027 | 2811056 | 0.289 | 2811408 | 0.629 | 2811777 | 2.682 |
| 2809447 | 10.587 | 2810348 | 10.027 | 2811057 | 0.289 | 2811409 | 0.629 | 2811778 | 11.204 |
| 2809457 | 4.412 | 2810349 | 10.027 | 2811059 | 1.429 | 2811410 | 0.629 | 2811779 | 2.679 |
| 2809480 | 6.103 | 2810350 | 10.027 | 2811061 | 0.536 | 2811422 | 12.941 | 2811780 | 2.679 |
| 2809481 | 6.103 | 2810356 | 10.093 | 2811074 | 1.219 | 2811423 | 12.941 | 2811781 | 2.679 |
| 2809486 | 12.934 | 2810357 | 10.093 | 2811075 | 1.219 | 2811461 | 7.831 | 2811782 | 2.679 |
| 2809487 | 12.934 | 2810367 | 2.041 | 2811096 | 14.651 | 2811469 | 12.941 | 2811783 | 12.952 |
| 2809488 | 12.934 | 2810379 | 4.709 | 2811164 | 6.524 | 2811470 | 12.941 | 2811787 | 2.555 |
| 2809489 | 12.934 | 2810381 | 4.826 | 2811165 | 10.571 | 2811482 | 10.307 | 2811792 | 0.085 |
| 2809490 | 12.934 | 2810382 | 4.829 | 2811167 | 10.450 | 2811513 | 11.374 | 2811793 | 0.153 |
| 2809491 | 12.934 | 2810383 | 4.829 | 2811169 | 10.456 | 2811518 | 7.831 | 2811795 | 0.105 |
| 2809580 | 11.561 | 2810384 | 4.829 | 2811174 | 12.966 | 2811519 | 7.831 | 2811796 | 6.153 |
| 2809581 | 11.561 | 2810385 | 4.829 | 2811175 | 10.093 | 2811521 | 7.831 | 2811797 | 4.265 |
| 2809593 | 3.001 | 2810388 | 4.826 | 2811176 | 10.093 | 2811522 | 7.831 | 2811804 | 12.811 |
| 2809594 | 3.001 | 2810394 | 3.003 | 2811196 | 4.005 | 2811523 | 12.184 | 2811805 | 12.811 |
| 2809600 | 4.316 | 2810395 | 3.003 | 2811197 | 4.127 | 2811526 | 12.940 | 2811807 | 12.179 |
| 2809607 | 7.020 | 2810417 | 12.981 | 2811198 | 11.581 | 2811527 | 12.940 | 2811811 | 3.459 |
| 2809727 | 4.304 | 2810420 | 12.956 | 2811204 | 12.955 | 2811531 | 0.643 | 2811817 | 9.127 |
| 2809789 | 1.426 | 2810421 | 12.956 | 2811209 | 10.261 | 2811532 | 0.643 | 2811819 | 5.387 |
| 2809791 | 1.656 | 2810422 | 12.981 | 2811212 | 10.466 | 2811533 | 0.643 | 2811827 | 12.955 |
| 2809794 | 1.516 | 2810423 | 12.981 | 2811213 | 5.382 | 2811534 | 0.643 | 2811836 | 12.956 |
| 2809813 | 12.934 | 2810440 | 7.241 | 2811244 | 12.955 | 2811536 | 0.643 | 2811840 | 11.373 |
| 2809814 | 12.934 | 2810483 | 12.237 | 2811253 | 11.589 | 2811537 | 0.643 | 2811847 | 11.374 |
| 2809815 | 12.934 | 2810496 | 4.829 | 2811255 | 11.589 | 2811601 | 10.466 | 2811852 | 3.609 |
| 2809816 | 12.934 | 2810499 | 4.226 | 2811256 | 11.374 | 2811603 | 8.036 | 2811853 | 3.609 |
| 2809817 | 12.934 | 2810513 | 4.826 | 2811257 | 11.374 | 2811604 | 8.036 | 2811857 | 8.036 |
| 2809818 | 12.934 | 2810519 | 3.159 | 2811258 | 11.588 | 2811625 | 3.720 | 2811858 | 3.706 |
| 2809819 | 12.982 | 2810537 | 4.265 | 2811259 | 3.270 | 2811626 | 3.720 | 2811859 | 3.706 |
| 2809835 | 11.629 | 2810538 | 4.265 | 2811261 | 5.382 | 2811627 | 3.720 | 2811864 | 9.127 |

"HQ" PARTS CATALOGUE

| PART No. | GROUP | PART No. | GROUP | PART No. | GROUP | PART No. | GROUP | PART No. | GROUP |
|----------|--------|----------|--------|-----------|--------|----------|--------|-----------|--------|
| 2811869 | 11.175 | 2812173 | 0.269 | 2812641 | 12.811 | 2813058 | 12.114 | 2813506 | 4.303 |
| 2811870 | 11.175 | 2812174 | 0.269 | 2812655BA | 14.655 | 2813065 | 2.679 | 2813507 | 4.318 |
| 2811871 | 11.175 | 2812180 | 1.219 | 2812655CE | 14.655 | 2813066 | 2.679 | 2813511 | 4.311 |
| 2811872 | 11.175 | 2812207 | 10.741 | 2812655CJ | 14.655 | 2813067 | 2.680 | 2813513 | 4.317 |
| 2811873 | 11.175 | 2812208 | 10.741 | 2812655DD | 14.655 | 2813068 | 2.682 | 2813514 | 4.309 |
| 2811874 | 11.175 | 2812209 | 1.159 | 2812655DG | 14.655 | 2813069 | 2.682 | 2813515 | 4.380 |
| 2811875 | 11.175 | 2812211 | 8.009 | 2812666 | 10.741 | 2813070 | 2.684 | 2813517 | 4.419 |
| 2811876 | 11.175 | 2812216 | 12.269 | 2812667 | 10.741 | 2813082 | 12.971 | 2813519 | 4.432 |
| 2811877 | 11.179 | 2812217 | 1.073 | 2812668 | 10.741 | 2813083 | 12.971 | 2813520 | 4.309 |
| 2811878 | 11.179 | 2812219 | 4.045 | 2812669 | 10.741 | 2813088 | 10.681 | 2813521 | 4.311 |
| 2811879 | 11.179 | 2812220 | 4.045 | 2812671 | 8.079 | 2813089 | 10.681 | 2813522 | 4.419 |
| 2811880 | 11.179 | 2812230 | 12.982 | 2812688BA | 14.655 | 2813091 | 12.181 | 2813525 | 4.418 |
| 2811881 | 12.971 | 2812233 | 7.014 | 2812688CE | 14.655 | 2813155 | 5.529 | 2813527 | 4.311 |
| 2811882 | 3.609 | 2812234 | 7.112 | 2812688CJ | 14.655 | 2813156 | 5.529 | 2813531 | 0.659 |
| 2811883 | 3.705 | 2812252 | 4.040 | 2812688DD | 14.655 | 2813163 | 2.188 | 2813532 | 0.659 |
| 2811887 | 12.942 | 2812253 | 4.040 | 2812688DG | 14.655 | 2813164 | 6.524 | 2813535 | 0.659 |
| 2811888 | 12.942 | 2812254 | 4.040 | 2812695 | 2.596 | 2813167 | 4.007 | 2813536 | 0.659 |
| 2811891 | 2.277 | 2812255 | 4.040 | 2812717 | 12.807 | 2813170 | 6.518 | 2813544 | 12.270 |
| 2811892 | 2.277 | 2812256 | 4.016 | 2812733 | 9.785 | 2813176 | 4.019 | 2813545 | 12.270 |
| 2811893 | 2.317 | 2812257 | 4.007 | 2812734 | 9.785 | 2813229 | 5.809 | 2813550 | 2.195 |
| 2811918 | 8.015 | 2812268 | 1.270 | 2812735 | 11.634 | 2813273 | 12.805 | 2813553 | 8.518 |
| 2811919 | 8.015 | 2812270 | 1.159 | 2812737 | 10.252 | 2813274 | 12.805 | 2813554 | 8.518 |
| 2811920 | 8.081 | 2812287 | 10.701 | 2812763 | 10.460 | 2813295 | 9.779 | 2813555 | 4.018 |
| 2811924 | 2.188 | 2812322 | 10.027 | 2812764 | 10.460 | 2813297 | 9.779 | 2813557 | 4.018 |
| 2811931 | 0.333 | 2812323 | 10.027 | 2812765 | 10.456 | 2813299 | 12.966 | 2813558 | 4.006 |
| 2811932 | 0.426 | 2812325 | 7.118 | 2812766 | 10.456 | 2813301 | 9.779 | 2813559BA | 4.009 |
| 2811933 | 0.429 | 2812335 | 11.611 | 2812777 | 12.956 | 2813317 | 9.262 | 2813559CA | 4.009 |
| 2811948 | 11.208 | 2812339 | 11.611 | 2812778 | 12.956 | 2813322 | 9.779 | 2813559CB | 4.009 |
| 2811985 | 12.971 | 2812344 | 11.611 | 2812785 | 10.829 | 2813323 | 9.779 | 2813559CD | 4.009 |
| 2811986 | 12.971 | 2812347 | 0.629 | 2812786 | 10.829 | 2813325 | 9.779 | 2813559CE | 4.009 |
| 2811987 | 12.971 | 2812348 | 0.629 | 2812787 | 10.829 | 2813326 | 9.779 | 2813559CH | 4.009 |
| 2811988 | 12.971 | 2812349 | 0.629 | 2812788 | 10.829 | 2813330 | 3.772 | 2813559CJ | 4.009 |
| 2811999 | 10.093 | 2812350 | 0.629 | 2812789 | 10.829 | 2813333 | 12.966 | 2813559DD | 4.009 |
| 2812000 | 10.093 | 2812351 | 0.629 | 2812790 | 10.829 | 2813335 | 10.051 | 2813559DG | 4.009 |
| 2812009 | 7.836 | 2812352 | 0.629 | 2812792 | 10.696 | 2813336 | 10.051 | 2813570 | 12.951 |
| 2812010 | 7.836 | 2812387 | 12.955 | 2812793 | 10.696 | 2813340 | 1.270 | 2813571 | 12.951 |
| 2812013 | 12.972 | 2812397 | 9.171 | 2812810 | 6.508 | 2813372 | 0.616 | 2813572 | 12.951 |
| 2812014 | 12.972 | 2812398 | 9.171 | 2812811 | 2.188 | 2813373 | 0.616 | 2813573 | 12.951 |
| 2812017 | 12.805 | 2812399 | 9.171 | 2812844 | 12.952 | 2813378 | 0.616 | 2813584 | 1.266 |
| 2812040 | 7.836 | 2812400 | 9.171 | 2812928 | 4.931 | 2813379 | 0.616 | 2813585 | 1.266 |
| 2812041 | 7.836 | 2812401 | 9.171 | 2812929 | 12.112 | 2813383 | 12.184 | 2813586 | 1.266 |
| 2812046 | 3.796 | 2812402 | 0.027 | 2812930 | 12.112 | 2813384 | 12.184 | 2813587 | 1.266 |
| 2812048 | 12.803 | 2812427 | 1.066 | 2812936 | 12.952 | 2813385 | 2.447 | 2813598 | 7.836 |
| 2812059 | 12.184 | 2812429 | 12.895 | 2812945 | 12.944 | 2813386 | 12.187 | 2813599 | 7.836 |
| 2812060 | 10.450 | 2812430 | 12.895 | 2812946 | 12.944 | 2813387 | 12.187 | 2813600 | 10.051 |
| 2812061 | 10.450 | 2812442 | 5.395 | 2812949 | 12.971 | 2813388 | 12.811 | 2813601 | 10.051 |
| 2812062 | 10.454 | 2812456 | 11.611 | 2812966 | 12.971 | 2813389 | 12.811 | 2813618 | 10.747 |
| 2812063 | 10.454 | 2812459 | 1.062 | 2812967 | 12.971 | 2813397 | 12.811 | 2813619 | 10.747 |
| 2812072 | 4.826 | 2812461 | 0.673 | 2812971 | 12.811 | 2813398 | 12.811 | 2813632 | 12.955 |
| 2812082 | 4.035 | 2812462 | 11.373 | 2812972 | 12.811 | 2813463 | 12.955 | 2813633 | 12.955 |
| 2812083 | 2.239 | 2812474 | 11.611 | 2812975 | 11.629 | 2813465 | 12.955 | 2813639 | 12.805 |
| 2812091 | 8.085 | 2812475 | 12.940 | 2812977 | 11.610 | 2813470 | 2.565 | 2813640 | 12.805 |
| 2812092 | 12.811 | 2812476 | 1.266 | 2812987 | 10.701 | 2813489 | 4.418 | 2813641 | 10.093 |
| 2812093 | 12.811 | 2812529 | 10.750 | 2812988 | 10.701 | 2813490 | 4.395 | 2813642 | 10.093 |
| 2812094 | 3.265 | 2812530 | 10.750 | 2812996 | 10.470 | 2813491 | 4.415 | 2813643 | 10.093 |
| 2812095 | 6.163 | 2812591 | 4.020 | 2812997 | 10.470 | 2813492 | 4.415 | 2813644 | 10.093 |
| 2812096 | 6.163 | 2812599 | 11.200 | 2812998 | 10.473 | 2813493 | 4.403 | 2813652 | 3.001 |
| 2812097 | 6.163 | 2812605 | 5.387 | 2812999 | 10.473 | 2813494 | 4.351 | 2813656 | 3.003 |
| 2812101 | 5.387 | 2812606 | 5.387 | 2813022 | 10.475 | 2813495 | 4.351 | 2813664 | 3.003 |
| 2812102 | 5.816 | 2812615 | 11.628 | 2813023 | 10.475 | 2813496 | 4.421 | 2813666 | 11.373 |
| 2812103 | 5.822 | 2812616 | 11.628 | 2813028 | 10.475 | 2813497 | 4.421 | 2813680 | 9.779 |
| 2812104 | 5.816 | 2812617 | 5.510 | 2813029 | 10.475 | 2813498 | 4.430 | 2813684 | 2.682 |
| 2812109 | 5.387 | 2812618 | 5.510 | 2813033 | 3.720 | 2813499 | 4.430 | 2813685 | 2.682 |
| 2812128 | 3.796 | 2812638 | 12.811 | 2813037 | 14.651 | 2813500 | 4.418 | 2813686 | 2.684 |
| 2812161 | 1.219 | 2812639 | 12.811 | 2813038 | 14.651 | 2813501 | 4.311 | 2813687 | 2.684 |
| 2812172 | 1.219 | 2812640 | 12.811 | 2813057 | 12.114 | 2813504 | 4.317 | 2813725 | 6.760 |

"HQ" PARTS CATALOGUE

| PART No. | GROUP | PART No. | GROUP | PART No. | GROUP | PART No. | GROUP | PART No. | GROUP |
|----------|--------|----------|--------|----------|--------|-----------|--------|------------|--------|
| 2813726 | 6.760 | 2813985 | 11.208 | 2814337 | 5.441 | 2814609 | 5.001 | 2814797 | 11.207 |
| 2813733 | 1.270 | 2814004 | 4.650 | 2814338 | 5.441 | 2814616 | 12.982 | 2814798 | 3.900 |
| 2813737 | 0.027 | 2814014 | 8.154 | 2814339 | 5.441 | 2814617 | 12.982 | 2814805 | 8.132 |
| 2813743 | 0.027 | 2814017 | 12.075 | 2814340 | 5.441 | 2814618 | 12.982 | 2814806 | 4.030 |
| 2813744 | 13.090 | 2814018 | 12.075 | 2814348 | 7.516 | 2814620 | 10.527 | 2814807 | 11.610 |
| 2813745 | 13.090 | 2814019 | 12.075 | 2814355 | 7.524 | 2814671 | 2.515 | 2814808 | 6.524 |
| 2813746 | 2.680 | 2814020 | 12.075 | 2814356 | 7.524 | 2814672 | 8.077 | 2814810 | 6.524 |
| 2813749 | 12.942 | 2814026 | 6.518 | 2814357 | 7.529 | 2814673 | 12.955 | 2814813 | 14.651 |
| 2813750 | 12.942 | 2814030 | 4.019 | 2814362 | 11.204 | 2814674 | 12.955 | 2814814 | 14.651 |
| 2813755 | 14.651 | 2814031 | 4.019 | 2814364 | 12.803 | 2814677 | 3.001 | 2814815 | 9.275 |
| 2813762 | 1.266 | 2814032 | 4.040 | 2814365 | 12.803 | 2814679 | 12.187 | 2814818 | 3.201 |
| 2813763 | 1.266 | 2814033 | 4.019 | 2814367 | 8.075 | 2814682 | 11.208 | 2814819 | 3.201 |
| 2813764 | 1.266 | 2814038 | 10.685 | 2814371 | 11.207 | 2814683 | 11.208 | 2814824 | 12.986 |
| 2813767 | 10.827 | 2814039 | 10.685 | 2814381 | 10.822 | 2814684 | 11.208 | 2814825 | 12.986 |
| 2813768 | 10.827 | 2814042 | 12.273 | 2814382 | 10.822 | 2814686 | 10.538 | 2814838 | 9.171 |
| 2813769 | 10.827 | 2814045 | 3.451 | 2814383 | 10.822 | 2814689 | 7.013 | 2814839 | 9.171 |
| 2813770 | 10.827 | 2814046 | 12.182 | 2814397 | 9.263 | 2814694 | 10.556 | 2814840 | 2.317 |
| 2813771 | 10.827 | 2814047 | 3.451 | 2814398 | 9.263 | 2814695 | 10.506 | 2814841 | 9.171 |
| 2813772 | 10.827 | 2814049 | 3.430 | 2814439 | 11.629 | 2814701 | 2.897 | 2814842 | 12.182 |
| 2813794 | 12.941 | 2814050 | 3.430 | 2814440 | 6.606 | 2814702BA | 2.897 | 2814843 | 12.182 |
| 2813795 | 12.941 | 2814052 | 3.430 | 2814441 | 11.629 | 2814702CA | 2.897 | 2814843CLP | 12.182 |
| 2813838 | 8.079 | 2814053 | 3.430 | 2814442 | 6.606 | 2814702CB | 2.897 | 2814844 | 9.171 |
| 2813853 | 10.783 | 2814055 | 3.430 | 2814443 | 12.940 | 2814702CD | 2.897 | 2814845 | 1.066 |
| 2813854 | 10.783 | 2814059 | 2.333 | 2814444 | 12.940 | 2814702CE | 2.897 | 2814853 | 12.179 |
| 2813866 | 11.940 | 2814060 | 2.333 | 2814445 | 12.913 | 2814702CH | 2.897 | 2814854 | 12.179 |
| 2813871 | 4.595 | 2814064 | 2.555 | 2814446 | 12.913 | 2814702CJ | 2.897 | 2814867 | 12.940 |
| 2813875 | 4.595 | 2814068 | 11.207 | 2814447 | 12.913 | 2814702DD | 2.897 | 2814868 | 12.940 |
| 2813876 | 4.594 | 2814070 | 12.940 | 2814448 | 12.913 | 2814702DG | 2.897 | 2814877 | 4.212 |
| 2813877 | 4.594 | 2814071 | 12.940 | 2814449 | 12.913 | 2814714 | 3.001 | 2814878 | 10.260 |
| 2813878 | 4.594 | 2814123 | 9.262 | 2814450 | 12.913 | 2814721 | 5.001 | 2814885 | 10.702 |
| 2813883 | 4.596 | 2814127 | 3.201 | 2814451 | 12.913 | 2814722 | 5.001 | 2814886 | 10.702 |
| 2813884 | 4.596 | 2814128 | 2.317 | 2814452 | 12.913 | 2814723 | 5.150 | 2814887 | 4.030 |
| 2813886 | 10.187 | 2814130 | 9.709 | 2814453 | 12.913 | 2814728 | 2.728 | 2814888 | 9.779 |
| 2813887 | 11.207 | 2814132 | 9.709 | 2814454 | 12.913 | 2814729 | 2.728 | 2814889 | 12.277 |
| 2813893 | 3.003 | 2814145 | 2.342 | 2814455 | 12.913 | 2814730 | 12.580 | 2814890 | 9.779 |
| 2813896 | 12.942 | 2814146 | 2.342 | 2814456 | 12.913 | 2814732 | 7.833 | 2814891 | 9.779 |
| 2813897 | 12.942 | 2814147 | 2.342 | 2814461 | 11.629 | 2814733 | 2.486 | 2814892 | 9.779 |
| 2813898 | 2.682 | 2814148 | 2.342 | 2814462 | 10.219 | 2814734 | 4.625 | 2814897 | 9.779 |
| 2813899 | 2.682 | 2814150 | 2.341 | 2814463 | 10.219 | 2814735 | 4.625 | 2814900 | 9.788 |
| 2813900 | 10.163 | 2814168 | 7.836 | 2814467 | 10.506 | 2814736 | 4.639 | 2814902 | 9.779 |
| 2813907 | 2.555 | 2814169 | 7.836 | 2814479 | 11.207 | 2814737 | 0.830 | 2814903 | 9.779 |
| 2813912 | 10.791 | 2814170 | 14.651 | 2814480 | 4.437 | 2814738 | 0.683 | 2814905 | 9.788 |
| 2813913 | 10.791 | 2814171 | 14.651 | 2814481 | 4.433 | 2814739 | 9.171 | 2814907 | 2.515 |
| 2813919 | 2.679 | 2814172 | 14.651 | 2814485 | 11.611 | 2814753 | 0.206 | 2814908 | 2.515 |
| 2813920 | 2.679 | 2814173 | 9.190 | 2814486 | 11.611 | 2814754 | 12.895 | 2814909 | 12.948 |
| 2813927 | 4.594 | 2814174 | 9.190 | 2814487 | 11.611 | 2814755 | 12.895 | 2814910 | 12.948 |
| 2813943 | 11.208 | 2814208 | 9.779 | 2814488 | 11.611 | 2814756 | 12.895 | 2814913 | 12.187 |
| 2813944 | 11.208 | 2814209 | 9.779 | 2814498 | 4.226 | 2814757 | 12.895 | 2814924 | 2.481 |
| 2813945 | 11.208 | 2814210 | 2.726 | 2814499 | 4.226 | 2814758 | 12.895 | 2814925 | 4.625 |
| 2813946 | 11.208 | 2814211 | 2.726 | 2814532 | 12.184 | 2814759 | 12.895 | 2814926 | 12.942 |
| 2813956 | 4.003 | 2814212 | 2.726 | 2814533 | 12.184 | 2814760 | 12.895 | 2814927 | 12.942 |
| 2813957 | 4.003 | 2814235 | 12.940 | 2814535 | 8.132 | 2814761 | 12.895 | 2814928 | 12.940 |
| 2813958 | 4.020 | 2814236 | 12.940 | 2814544 | 12.803 | 2814762 | 12.895 | 2814929 | 12.940 |
| 2813959 | 4.020 | 2814249 | 4.342 | 2814545 | 12.803 | 2814763 | 12.895 | 2814930 | 12.269 |
| 2813960 | 4.050 | 2814250 | 4.342 | 2814566 | 11.207 | 2814770 | 10.146 | 2814936 | 9.787 |
| 2813961 | 4.019 | 2814270 | 3.609 | 2814567 | 11.207 | 2814771 | 0.027 | 2814937 | 14.685 |
| 2813962 | 4.019 | 2814271 | 3.705 | 2814569 | 12.982 | 2814777 | 1.159 | 2814941 | 4.010 |
| 2813963 | 4.046 | 2814286 | 11.207 | 2814573 | 8.132 | 2814781 | 12.195 | 2814951 | 9.778 |
| 2813964 | 4.019 | 2814287 | 5.441 | 2814574 | 10.563 | 2814782 | 12.580 | 2814956 | 10.470 |
| 2813965 | 4.019 | 2814288 | 4.265 | 2814585 | 12.241 | 2814784 | 8.132 | 2814957 | 10.470 |
| 2813966 | 4.019 | 2814293 | 4.265 | 2814588 | 12.187 | 2814786 | 11.628 | 2814958 | 5.460 |
| 2813968 | 4.019 | 2814294 | 4.265 | 2814589 | 11.373 | 2814787 | 12.941 | 2814959 | 5.460 |
| 2813971 | 12.966 | 2814295 | 4.265 | 2814591 | 12.971 | 2814788 | 12.941 | 2814960 | 5.460 |
| 2813972 | 12.270 | 2814307 | 12.942 | 2814592 | 12.971 | 2814794 | 12.182 | 2814961 | 5.460 |
| 2813983 | 11.208 | 2814308 | 12.942 | 2814603 | 9.778 | 2814795 | 12.182 | 2814962 | 5.460 |
| 2813984 | 11.208 | 2814312 | 4.265 | 2814608 | 5.001 | 2814796 | 12.182 | 2814963 | 5.460 |

"HQ" PARTS CATALOGUE

| PART No. | GROUP | PART No. | GROUP | PART No. | GROUP | PART No. | GROUP | PART No. | GROUP |
|-----------|--------|-----------|--------|-----------|--------|-----------|--------|------------|--------|
| 2814964 | 5.460 | 2814982CA | 15.286 | 2815018 | 9.220 | 2815200CJ | 10.203 | 2815265 | 10.529 |
| 2814965 | 12.182 | 2814982CB | 15.286 | 2815035 | 0.033 | 2815201BA | 10.203 | 2815266 | 10.529 |
| 2814966 | 12.182 | 2814982CD | 15.286 | 2815036 | 0.033 | 2815201CA | 10.203 | 2815269 | 1.429 |
| 2814969 | 12.075 | 2814982CE | 15.286 | 2815037 | 0.033 | 2815201CB | 10.203 | 2815270 | 2.697 |
| 2814970 | 12.075 | 2814982CH | 15.286 | 2815038 | 9.189 | 2815201CD | 10.203 | 2815271 | 2.697 |
| 2814973BA | 15.286 | 2814982CJ | 15.286 | 2815041 | 12.075 | 2815201CE | 10.203 | 2815285 | 3.609 |
| 2814973CA | 15.286 | 2814982DA | 15.286 | 2815042 | 12.075 | 2815201CG | 10.203 | 2815289 | 2.810 |
| 2814973CB | 15.286 | 2814982DB | 15.286 | 2815046 | 11.611 | 2815201CJ | 10.203 | 2815290 | 2.810 |
| 2814973CD | 15.286 | 2814982DD | 15.286 | 2815047 | 11.611 | 2815202BA | 10.203 | 2815291 | 12.940 |
| 2814973CE | 15.286 | 2814982DE | 15.286 | 2815049 | 10.710 | 2815202CA | 10.203 | 2815292 | 3.001 |
| 2814973CH | 15.286 | 2814982DG | 15.286 | 2815050 | 10.710 | 2815202CB | 10.203 | 2815293 | 11.634 |
| 2814973CJ | 15.286 | 2814983BA | 15.286 | 2815053 | 3.725 | 2815202CD | 10.203 | 2815300 | 12.116 |
| 2814973DA | 15.286 | 2814983CA | 15.286 | 2815054 | 3.725 | 2815202CE | 10.203 | 2815301 | 12.582 |
| 2814973DB | 15.286 | 2814983CD | 15.286 | 2815055 | 3.725 | 2815202CG | 10.203 | 2815305 | 3.107 |
| 2814973DD | 15.286 | 2814983CH | 15.286 | 2815056 | 3.725 | 2815202CJ | 10.203 | 2815308 | 12.116 |
| 2814973DE | 15.286 | 2814983CJ | 15.286 | 2815068 | 10.702 | 2815204 | 2.515 | 2815309 | 12.116 |
| 2814973DG | 15.286 | 2814983DB | 15.286 | 2815069 | 10.702 | 2815205BA | 10.203 | 2815310 | 12.116 |
| 2814974BA | 15.306 | 2814983DD | 15.286 | 2815074 | 12.112 | 2815205CA | 10.203 | 2815311 | 12.116 |
| 2814974CA | 15.306 | 2814983DG | 15.286 | 2815075 | 12.112 | 2815205CD | 10.203 | 2815312 | 12.116 |
| 2814974CB | 15.306 | 2814984BA | 15.306 | 2815079 | 4.006 | 2815205CG | 10.203 | 2815313 | 12.116 |
| 2814974CD | 15.306 | 2814984CA | 15.306 | 2815080 | 6.524 | 2815205CJ | 10.203 | 2815314 | 12.116 |
| 2814974CE | 15.306 | 2814984CB | 15.306 | 2815081 | 6.524 | 2815207 | 3.260 | 2815315 | 12.118 |
| 2814974CH | 15.306 | 2814984CD | 15.306 | 2815093 | 10.710 | 2815209BA | 4.608 | 2815324 | 11.207 |
| 2814974CJ | 15.306 | 2814984CE | 15.306 | 2815094 | 10.710 | 2815209CA | 4.608 | 2815325 | 11.207 |
| 2814974DA | 15.306 | 2814984CH | 15.306 | 2815102 | 1.659 | 2815209CB | 4.608 | 2815327 | 12.179 |
| 2814974DB | 15.306 | 2814984CJ | 15.306 | 2815103 | 12.248 | 2815209CD | 4.608 | 2815341 | 11.630 |
| 2814974DD | 15.306 | 2814984DA | 15.306 | 2815104 | 12.955 | 2815209CE | 4.608 | 2815342 | 11.630 |
| 2814974DE | 15.306 | 2814984DB | 15.306 | 2815106 | 11.011 | 2815209CG | 4.608 | 2815354 | 6.508 |
| 2814974DG | 15.306 | 2814984DD | 15.306 | 2815107 | 11.011 | 2815209CJ | 4.608 | 2815355 | 6.524 |
| 2814975BA | 15.306 | 2814984DE | 15.306 | 2815109 | 4.826 | 2815209DD | 4.608 | 2815357 | 4.700 |
| 2814975CA | 15.306 | 2814984DG | 15.306 | 2815112 | 11.611 | 2815209DG | 4.608 | 2815369 | 12.195 |
| 2814975CB | 15.306 | 2814985BA | 15.306 | 2815115 | 9.787 | 2815210 | 12.116 | 2815370 | 12.195 |
| 2814975CD | 15.306 | 2814985CA | 15.306 | 2815116 | 9.787 | 2815211 | 12.116 | 2815371 | 8.304 |
| 2814975CE | 15.306 | 2814985CB | 15.306 | 2815125 | 6.606 | 2815212 | 10.710 | 2815371CLP | 8.304 |
| 2814975CH | 15.306 | 2814985CD | 15.306 | 2815126 | 6.806 | 2815213 | 10.710 | 2815372 | 8.304 |
| 2814975CJ | 15.306 | 2814985CE | 15.306 | 2815127 | 6.606 | 2815217 | 4.128 | 2815373 | 8.304 |
| 2814975DA | 15.306 | 2814985CH | 15.306 | 2815128 | 6.606 | 2815218 | 4.128 | 2815374 | 8.304 |
| 2814975DB | 15.306 | 2814985CJ | 15.306 | 2815130 | 6.606 | 2815219 | 4.128 | 2815381 | 0.852 |
| 2814975DD | 15.306 | 2814985DA | 15.306 | 2815131 | 6.606 | 2815220 | 4.128 | 2815388 | 1.266 |
| 2814975DE | 15.306 | 2814985DB | 15.306 | 2815132 | 8.132 | 2815221 | 4.128 | 2815400 | 15.101 |
| 2814975DG | 15.306 | 2814985DD | 15.306 | 2815133 | 8.132 | 2815222 | 4.054 | 2815401 | 15.101 |
| 2814980BA | 15.306 | 2814985DE | 15.306 | 2815138 | 0.027 | 2815224 | 12.941 | 2815455 | 0.033 |
| 2814980CA | 15.306 | 2814985DG | 15.306 | 2815149 | 6.781 | 2815225 | 12.941 | 2815456 | 0.033 |
| 2814980CB | 15.306 | 2814986BA | 15.306 | 2815150 | 3.430 | 2815228 | 12.075 | 2815457 | 0.033 |
| 2814980CD | 15.306 | 2814986CA | 15.306 | 2815153 | 11.629 | 2815229 | 12.075 | 2815458 | 0.033 |
| 2814980CE | 15.306 | 2814986CD | 15.306 | 2815162 | 5.803 | 2815230 | 12.941 | 2815459 | 0.033 |
| 2814980CH | 15.306 | 2814986CH | 15.306 | 2815185 | 4.826 | 2815231 | 13.092 | 2815460 | 0.033 |
| 2814980CJ | 15.306 | 2814986CJ | 15.306 | 2815186 | 4.826 | 2815232 | 11.629 | 2815462 | 0.033 |
| 2814980DA | 15.306 | 2814986DB | 15.306 | 2815187 | 4.829 | 2815239BA | 6.513 | 2815463 | 0.033 |
| 2814980DB | 15.306 | 2814986DD | 15.306 | 2815188 | 4.829 | 2815239CA | 6.513 | 2815464 | 0.033 |
| 2814980DD | 15.306 | 2814986DG | 15.306 | 2815189 | 4.829 | 2815239CB | 6.513 | 2815465 | 0.033 |
| 2814980DE | 15.306 | 2814992 | 12.941 | 2815190 | 4.829 | 2815239CD | 6.513 | 2815467 | 12.180 |
| 2814980DG | 15.306 | 2814993 | 12.941 | 2815193 | 7.370 | 2815239CE | 6.513 | 2815468 | 12.180 |
| 2814981BA | 15.286 | 2814997 | 12.116 | 2815199BA | 10.203 | 2815239CH | 6.513 | 2815469 | 10.152 |
| 2814981CA | 15.286 | 2815002BA | 10.219 | 2815199CA | 10.203 | 2815239CJ | 6.513 | 2815470 | 10.152 |
| 2814981CB | 15.286 | 2815002CA | 10.219 | 2815199CB | 10.203 | 2815239DD | 6.513 | 2815471 | 10.161 |
| 2814981CD | 15.286 | 2815002CB | 10.219 | 2815199CD | 10.203 | 2815239DG | 6.513 | 2815472 | 10.147 |
| 2814981CE | 15.286 | 2815002CD | 10.219 | 2815199CE | 10.203 | 2815240 | 11.611 | 2815478 | 12.948 |
| 2814981CH | 15.286 | 2815002CE | 10.219 | 2815199CG | 10.203 | 2815243 | 2.342 | 2815479 | 12.948 |
| 2814981CJ | 15.286 | 2815002CG | 10.219 | 2815199CJ | 10.203 | 2815244 | 7.633 | 2815485 | 11.629 |
| 2814981DA | 15.286 | 2815002CJ | 10.219 | 2815200BA | 10.203 | 2815245 | 2.679 | 2815486 | 10.500 |
| 2814981DB | 15.286 | 2815007 | 11.611 | 2815200CA | 10.203 | 2815246 | 3.787 | 2815487 | 10.500 |
| 2814981DD | 15.286 | 2815014 | 10.710 | 2815200CB | 10.203 | 2815248 | 7.003 | 2815493 | 1.266 |
| 2814981DE | 15.286 | 2815015 | 10.710 | 2815200CD | 10.203 | 2815256 | 12.581 | 2815494 | 8.153 |
| 2814981DG | 15.286 | 2815016BA | 12.580 | 2815200CE | 10.203 | 2815257 | 11.629 | 2815495 | 8.153 |
| 2814982BA | 15.286 | 2815017 | 9.220 | 2815200CG | 10.203 | 2815258 | 11.629 | 2815503 | 11.634 |

"HQ" PARTS CATALOGUE

| PART No. | GROUP | PART No. | GROUP | PART No. | GROUP | PART No. | GROUP | PART No. | GROUP |
|------------|--------|-----------|--------|-----------|--------|-----------|--------|-----------|--------|
| 2815504 | 11.634 | 2815701 | 9.169 | 2815885CD | 12.582 | 2815980CY | 15.289 | 2816248 | 12.942 |
| 2815514 | 14.818 | 2815702 | 9.275 | 2815885CE | 12.582 | 2815980DA | 15.289 | 2816253 | 12.982 |
| 2815515 | 14.818 | 2815703 | 9.169 | 2815885CH | 12.582 | 2815980DB | 15.289 | 2816254 | 11.610 |
| 2815516 | 14.818 | 2815704 | 9.169 | 2815885CJ | 12.582 | 2815980DC | 15.289 | 2816255 | 11.628 |
| 2815517 | 12.195 | 2815705 | 9.169 | 2815885CY | 12.582 | 2815980DE | 15.289 | 2816257 | 10.694 |
| 2815518 | 10.147 | 2815706 | 9.169 | 2815885DA | 12.582 | 2815980DF | 15.289 | 2816259 | 12.203 |
| 2815519 | 3.158 | 2815709 | 9.169 | 2815885DB | 12.582 | 2815980DG | 15.289 | 2816262 | 12.951 |
| 2815520 | 3.158 | 2815712 | 9.275 | 2815885DD | 12.582 | 2815981 | 2.515 | 2816263 | 12.951 |
| 2815521 | 3.158 | 2815720 | 11.040 | 2815885DE | 12.582 | 2815982 | 2.515 | 2816264 | 4.685 |
| 2815522 | 3.163 | 2815723 | 7.241 | 2815885DG | 12.582 | 2815983 | 2.515 | 2816265 | 4.685 |
| 2815529 | 12.982 | 2815727 | 12.811 | 2815887 | 1.652 | 2815984 | 2.515 | 2816266 | 4.685 |
| 2815530 | 0.033 | 2815728 | 12.811 | 2815888 | 1.653 | 2815985 | 2.515 | 2816267 | 4.685 |
| 2815531 | 0.033 | 2815729 | 2.515 | 2815892 | 9.644 | 2815986 | 2.515 | 2816268 | 4.685 |
| 2815532 | 2.555 | 2815730 | 2.515 | 2815893 | 9.644 | 2815987 | 12.802 | 2816269 | 4.685 |
| 2815538 | 12.195 | 2815733 | 2.515 | 2815896 | 12.958 | 2815990 | 12.802 | 2816270 | 4.685 |
| 2815541 | 12.238 | 2815734 | 2.515 | 2815909 | 12.942 | 2815991 | 12.801 | 2816272 | 4.685 |
| 2815544 | 12.238 | 2815735 | 2.515 | 2815914 | 10.550 | 2815997 | 12.116 | 2816273 | 4.685 |
| 2815549 | 5.010 | 2815736 | 2.515 | 2815915 | 3.451 | 2815998 | 12.116 | 2816275 | 4.685 |
| 2815550 | 5.010 | 2815737 | 2.515 | 2815916 | 3.451 | 2816008 | 4.038 | 2816277 | 4.685 |
| 2815551 | 12.112 | 2815738 | 2.515 | 2815917 | 14.818 | 2816009 | 4.038 | 2816278 | 4.680 |
| 2815563 | 3.725 | 2815749 | 2.515 | 2815929 | 10.507 | 2816010 | 4.038 | 2816279 | 4.680 |
| 2815566 | 12.116 | 2815751 | 7.242 | 2815930 | 10.507 | 2816013 | 7.831 | 2816280 | 4.681 |
| 2815574 | 3.710 | 2815752 | 7.242 | 2815942 | 3.402 | 2816014 | 8.304 | 2816281 | 4.685 |
| 2815575 | 3.710 | 2815753 | 7.242 | 2815949 | 10.777 | 2816016 | 11.007 | 2816282 | 4.685 |
| 2815579 | 12.174 | 2815754 | 12.116 | 2815952 | 2.555 | 2816021 | 12.176 | 2816283 | 4.685 |
| 2815580 | 12.174 | 2815765 | 11.629 | 2815953BA | 15.306 | 2816022 | 12.176 | 2816285 | 4.681 |
| 2815581 | 12.174 | 2815773 | 12.942 | 2815953CA | 15.306 | 2816032 | 0.852 | 2816287 | 11.015 |
| 2815582 | 11.015 | 2815779 | 10.694 | 2815953CB | 15.306 | 2816034 | 7.370 | 2816288 | 11.015 |
| 2815583 | 11.015 | 2815785 | 11.040 | 2815953CD | 15.306 | 2816035 | 1.265 | 2816293BA | 14.760 |
| 2815585 | 0.659 | 2815786 | 11.040 | 2815953CE | 15.306 | 2816043 | 12.948 | 2816293BK | 14.760 |
| 2815586 | 0.659 | 2815790 | 11.041 | 2815953CH | 15.306 | 2816044 | 12.948 | 2816293BL | 14.760 |
| 2815587 | 0.659 | 2815791 | 11.041 | 2815953CJ | 15.306 | 2816045 | 12.981 | 2816293CK | 14.760 |
| 2815589 | 3.159 | 2815792 | 11.012 | 2815953DA | 15.306 | 2816049 | 9.171 | 2816293CL | 14.760 |
| 2815590 | 3.159 | 2815795 | 11.007 | 2815953DB | 15.306 | 2816058 | 12.196 | 2816293CM | 14.760 |
| 2815591 | 3.159 | 2815796 | 11.007 | 2815953DD | 15.306 | 2816059 | 12.196 | 2816293CS | 14.760 |
| 2815592 | 3.159 | 2815797 | 11.007 | 2815953DE | 15.306 | 2816060 | 12.196 | 2816293CY | 14.760 |
| 2815596 | 11.634 | 2815798 | 2.555 | 2815953DG | 15.306 | 2816073 | 12.982 | 2816293DJ | 14.760 |
| 2815615 | 11.629 | 2815801 | 3.430 | 2815954 | 2.555 | 2816083 | 7.012 | 2816293DK | 14.760 |
| 2815616 | 11.629 | 2815804 | 11.007 | 2815956 | 10.507 | 2816087 | 9.662 | 2816293DL | 14.760 |
| 2815632 | 10.694 | 2815805 | 4.009 | 2815969 | 12.237 | 2816094 | 12.182 | 2816293DM | 14.760 |
| 2815638 | 9.262 | 2815806 | 4.009 | 2815970 | 12.237 | 2816108 | 11.628 | 2816294BA | 14.760 |
| 2815643 | 9.217 | 2815807 | 4.009 | 2815972 | 8.304 | 2816110 | 5.441 | 2816294BK | 14.760 |
| 2815644 | 9.217 | 2815816 | 2.596 | 2815973 | 12.966 | 2816116 | 12.174 | 2816294BL | 14.760 |
| 2815645 | 2.596 | 2815832 | 10.783 | 2815975BA | 12.801 | 2816121 | 12.580 | 2816294CK | 14.760 |
| 2815646 | 12.948 | 2815833 | 10.783 | 2815976BA | 15.288 | 2816122 | 12.580 | 2816294CL | 14.760 |
| 2815647 | 12.948 | 2815834 | 10.791 | 2815976CA | 15.288 | 2816126 | 12.942 | 2816294CM | 14.760 |
| 2815652 | 12.116 | 2815835 | 10.791 | 2815976CB | 15.288 | 2816132 | 11.628 | 2816294CS | 14.760 |
| 2815653 | 12.116 | 2815837 | 12.178 | 2815976CD | 15.288 | 2816135 | 12.811 | 2816294CY | 14.760 |
| 2815657 | 2.728 | 2815840 | 12.178 | 2815976CE | 15.288 | 2816136 | 12.811 | 2816294DJ | 14.760 |
| 2815658 | 11.011 | 2815846 | 12.810 | 2815976CG | 15.288 | 2816137 | 12.811 | 2816294DK | 14.760 |
| 2815659 | 11.011 | 2815847 | 12.810 | 2815976CJ | 15.288 | 2816138 | 12.811 | 2816294DL | 14.760 |
| 2815662 | 11.960 | 2815848 | 12.810 | 2815976CY | 15.288 | 2816139 | 12.428 | 2816294DM | 14.760 |
| 2815663 | 13.090 | 2815849 | 12.810 | 2815976DA | 15.288 | 2816140 | 12.428 | 2816297 | 8.798 |
| 2815664 | 8.304 | 2815851 | 2.824 | 2815976DB | 15.288 | 2816141 | 12.428 | 2816298 | 8.798 |
| 2815665 | 8.304 | 2815873 | 2.041 | 2815976DC | 15.288 | 2816142 | 12.428 | 2816299 | 2.555 |
| 2815665CLP | 8.304 | 2815875 | 0.388 | 2815976DE | 15.288 | 2816148 | 12.269 | 2816300 | 2.555 |
| 2815666 | 8.304 | 2815876 | 0.388 | 2815976DF | 15.288 | 2816167 | 12.491 | 2816301 | 13.090 |
| 2815667 | 8.304 | 2815877 | 0.388 | 2815976DG | 15.288 | 2816168 | 12.491 | 2816302 | 13.090 |
| 2815668 | 8.304 | 2815878 | 0.388 | 2815977 | 12.801 | 2816171 | 10.710 | 2816304 | 2.555 |
| 2815669 | 8.304 | 2815880 | 13.090 | 2815980BA | 15.289 | 2816214 | 11.374 | 2816305 | 2.555 |
| 2815673 | 12.116 | 2815881 | 13.090 | 2815980CA | 15.289 | 2816215 | 11.374 | 2816311 | 2.822 |
| 2815674 | 12.116 | 2815882 | 13.090 | 2815980CB | 15.289 | 2816216 | 11.374 | 2816312 | 2.822 |
| 2815681 | 10.516 | 2815883 | 13.090 | 2815980CD | 15.289 | 2816217 | 11.374 | 2816316 | 12.182 |
| 2815685 | 11.204 | 2815885BA | 12.582 | 2815980CE | 15.289 | 2816218 | 11.374 | 2816317 | 12.182 |
| 2815698 | 15.294 | 2815885CA | 12.582 | 2815980CG | 15.289 | 2816230 | 5.858 | 2816325 | 12.184 |
| 2815699 | 15.294 | 2815885CB | 12.582 | 2815980CJ | 15.289 | 2816245 | 5.441 | 2816326 | 12.184 |

"HQ" PARTS CATALOGUE

| PART No. | GROUP | PART No. | GROUP | PART No. | GROUP | PART No. | GROUP | PART No. | GROUP |
|-----------|--------|-----------|--------|-----------|--------|-----------|--------|-----------|--------|
| 2816329 | 11.015 | 2816395 | 2.679 | 2816469DC | 14.686 | 2816645CE | 15.520 | 2816657DB | 14.685 |
| 2816330 | 11.015 | 2816397 | 12.948 | 2816469DE | 14.686 | 2816645CG | 15.520 | 2816657DC | 14.685 |
| 2816345 | 12.182 | 2816398 | 12.948 | 2816469DF | 14.686 | 2816645CJ | 15.520 | 2816657DE | 14.685 |
| 2816346 | 12.182 | 2816402 | 11.629 | 2816469DG | 14.686 | 2816645DA | 15.520 | 2816657DF | 14.685 |
| 2816348 | 11.610 | 2816403 | 11.629 | 2816470BA | 14.686 | 2816645DB | 15.520 | 2816657DG | 14.685 |
| 2816349 | 11.628 | 2816404 | 11.629 | 2816470CA | 14.686 | 2816645DC | 15.520 | 2816658BA | 14.685 |
| 2816360 | 12.811 | 2816405 | 11.629 | 2816470CB | 14.686 | 2816645DE | 15.520 | 2816658CA | 14.685 |
| 2816361 | 12.811 | 2816411BA | 14.685 | 2816470CD | 14.686 | 2816645DF | 15.520 | 2816658CB | 14.685 |
| 2816365 | 10.716 | 2816411BK | 14.685 | 2816470CE | 14.686 | 2816645DG | 15.520 | 2816658CD | 14.685 |
| 2816370 | 13.092 | 2816411BL | 14.685 | 2816470CG | 14.686 | 2816646BK | 15.520 | 2816658CE | 14.685 |
| 2816372 | 10.783 | 2816411CK | 14.685 | 2816470CJ | 14.686 | 2816646CB | 15.520 | 2816658CG | 14.685 |
| 2816375 | 12.116 | 2816411CL | 14.685 | 2816470DA | 14.686 | 2816646CE | 15.520 | 2816658CJ | 14.685 |
| 2816376 | 12.116 | 2816411CM | 14.685 | 2816470DB | 14.686 | 2816647BA | 15.520 | 2816658CY | 14.685 |
| 2816378BA | 2.830 | 2816411CS | 14.685 | 2816470DC | 14.686 | 2816647BK | 15.520 | 2816658DA | 14.685 |
| 2816378CA | 2.830 | 2816411CY | 14.685 | 2816470DE | 14.686 | 2816647BL | 15.520 | 2816658DB | 14.685 |
| 2816378CB | 2.830 | 2816411DJ | 14.685 | 2816470DF | 14.686 | 2816647CA | 15.520 | 2816658DC | 14.685 |
| 2816378CD | 2.830 | 2816411DK | 14.685 | 2816470DG | 14.686 | 2816647CB | 15.520 | 2816658DE | 14.685 |
| 2816378CE | 2.830 | 2816411DL | 14.685 | 2816471 | 11.390 | 2816647CD | 15.520 | 2816658DF | 14.685 |
| 2816378CH | 2.830 | 2816411DM | 14.685 | 2816472 | 11.390 | 2816647CE | 15.520 | 2816658DG | 14.685 |
| 2816378CJ | 2.830 | 2816412BA | 14.685 | 2816487 | 11.015 | 2816647CG | 15.520 | 2816659 | 4.018 |
| 2816378DD | 2.830 | 2816412BK | 14.685 | 2816488 | 11.015 | 2816647CJ | 15.520 | 2816661 | 6.518 |
| 2816378DG | 2.830 | 2816412BL | 14.685 | 2816489 | 12.269 | 2816647DA | 15.520 | 2816662 | 2.481 |
| 2816379 | 2.820 | 2816412CK | 14.685 | 2816491 | 4.158 | 2816647DB | 15.520 | 2816667BA | 14.760 |
| 2816380 | 2.820 | 2816412CL | 14.685 | 2816494 | 11.420 | 2816647DC | 15.520 | 2816667CA | 14.760 |
| 2816381BA | 2.830 | 2816412CM | 14.685 | 2816495 | 11.420 | 2816647DE | 15.520 | 2816667CB | 14.760 |
| 2816381CA | 2.830 | 2816412CS | 14.685 | 2816496 | 11.420 | 2816647DF | 15.520 | 2816667CD | 14.760 |
| 2816381CB | 2.830 | 2816412CY | 14.685 | 2816497 | 11.420 | 2816647DG | 15.520 | 2816667CE | 14.760 |
| 2816381CD | 2.830 | 2816412DJ | 14.685 | 2816505 | 10.716 | 2816648BA | 15.520 | 2816667CG | 14.760 |
| 2816381CE | 2.830 | 2816412DK | 14.685 | 2816506 | 3.521 | 2816648CA | 15.520 | 2816667CJ | 14.760 |
| 2816381CH | 2.830 | 2816412DL | 14.685 | 2816522 | 12.951 | 2816648CB | 15.520 | 2816667CY | 14.760 |
| 2816381CJ | 2.830 | 2816412DM | 14.685 | 2816523 | 12.951 | 2816648CD | 15.520 | 2816667DA | 14.760 |
| 2816381DD | 2.830 | 2816413 | 11.629 | 2816524 | 12.951 | 2816648CE | 15.520 | 2816667DB | 14.760 |
| 2816381DG | 2.830 | 2816414 | 6.850 | 2816525 | 12.951 | 2816648CG | 15.520 | 2816667DC | 14.760 |
| 2816386BA | 14.630 | 2816415 | 6.508 | 2816531 | 10.550 | 2816648CJ | 15.520 | 2816667DE | 14.760 |
| 2816386BK | 14.630 | 2816417 | 6.524 | 2816532 | 10.550 | 2816648DA | 15.520 | 2816667DF | 14.760 |
| 2816386BL | 14.630 | 2816419 | 4.177 | 2816542 | 0.787 | 2816648DB | 15.520 | 2816667DG | 14.760 |
| 2816386CA | 14.630 | 2816422 | 4.177 | 2816544 | 11.007 | 2816648DC | 15.520 | 2816668BA | 14.760 |
| 2816386CB | 14.630 | 2816423 | 4.177 | 2816545 | 11.007 | 2816648DE | 15.520 | 2816668CA | 14.760 |
| 2816386CD | 14.630 | 2816427 | 4.158 | 2816546 | 11.015 | 2816648DF | 15.520 | 2816668CB | 14.760 |
| 2816386CE | 14.630 | 2816428 | 4.158 | 2816547 | 11.015 | 2816648DG | 15.520 | 2816668CD | 14.760 |
| 2816386CH | 14.630 | 2816429 | 4.187 | 2816548 | 11.007 | 2816649BA | 15.520 | 2816668CE | 14.760 |
| 2816386CJ | 14.630 | 2816433 | 4.158 | 2816549 | 10.716 | 2816649CA | 15.520 | 2816668CG | 14.760 |
| 2816386DA | 14.630 | 2816434 | 4.158 | 2816559 | 8.132 | 2816649CB | 15.520 | 2816668CJ | 14.760 |
| 2816386DB | 14.630 | 2816435 | 4.177 | 2816565 | 3.003 | 2816649CD | 15.520 | 2816668CY | 14.760 |
| 2816386DD | 14.630 | 2816438 | 4.177 | 2816574 | 4.081 | 2816649CE | 15.520 | 2816668DA | 14.760 |
| 2816386DE | 14.630 | 2816441 | 4.177 | 2816580 | 13.090 | 2816649CG | 15.520 | 2816668DB | 14.760 |
| 2816386DG | 14.630 | 2816442 | 4.177 | 2816582 | 11.925 | 2816649CJ | 15.520 | 2816668DC | 14.760 |
| 2816387BA | 14.630 | 2816445 | 12.982 | 2816587 | 12.952 | 2816649DA | 15.520 | 2816668DE | 14.760 |
| 2816387BK | 14.630 | 2816448 | 12.934 | 2816597 | 11.207 | 2816649DB | 15.520 | 2816668DF | 14.760 |
| 2816387BL | 14.630 | 2816449 | 12.934 | 2816620 | 12.248 | 2816649DC | 15.520 | 2816668DG | 14.760 |
| 2816387CA | 14.630 | 2816452 | 12.958 | 2816621 | 12.248 | 2816649DE | 15.520 | 2816677 | 13.090 |
| 2816387CB | 14.630 | 2816456 | 12.948 | 2816622 | 3.430 | 2816649DF | 15.520 | 2816678 | 13.090 |
| 2816387CD | 14.630 | 2816457 | 12.948 | 2816624 | 3.430 | 2816649DG | 15.520 | 2816679 | 4.885 |
| 2816387CE | 14.630 | 2816461 | 10.710 | 2816625 | 3.430 | 2816650CD | 15.520 | 2816681 | 12.951 |
| 2816387CH | 14.630 | 2816462 | 4.686 | 2816626 | 3.430 | 2816650CG | 15.520 | 2816682 | 12.951 |
| 2816387CJ | 14.630 | 2816464 | 9.787 | 2816631 | 12.895 | 2816651 | 11.175 | 2816690 | 0.852 |
| 2816387DA | 14.630 | 2816465 | 3.521 | 2816632 | 12.895 | 2816652 | 11.175 | 2816693 | 12.249 |
| 2816387DB | 14.630 | 2816469BA | 14.686 | 2816639 | 7.013 | 2816657BA | 14.685 | 2816712 | 12.248 |
| 2816387DD | 14.630 | 2816469CA | 14.686 | 2816640 | 12.948 | 2816657CA | 14.685 | 2816714 | 12.982 |
| 2816387DE | 14.630 | 2816469CB | 14.686 | 2816641 | 12.948 | 2816657CB | 14.685 | 2816719 | 11.200 |
| 2816387DG | 14.630 | 2816469CD | 14.686 | 2816645BA | 15.520 | 2816657CD | 14.685 | 2816720 | 0.830 |
| 2816388 | 12.934 | 2816469CE | 14.686 | 2816645BK | 15.520 | 2816657CE | 14.685 | 2816725 | 13.090 |
| 2816389 | 12.934 | 2816469CG | 14.686 | 2816645BL | 15.520 | 2816657CG | 14.685 | 2816727 | 13.090 |
| 2816392 | 2.679 | 2816469CJ | 14.686 | 2816645CA | 15.520 | 2816657CJ | 14.685 | 2816728 | 12.951 |
| 2816393 | 2.679 | 2816469DA | 14.686 | 2816645CB | 15.520 | 2816657CY | 14.685 | 2816729 | 12.951 |
| 2816394 | 2.679 | 2816469DB | 14.686 | 2816645CD | 15.520 | 2816657DA | 14.685 | 2816734 | 1.265 |

"HQ" PARTS CATALOGUE

| PART No. | GROUP | PART No. | GROUP | PART No. | GROUP | PART No. | GROUP | PART No. | GROUP |
|-----------|--------|-----------|--------|------------|--------|-----------|--------|-----------|--------|
| 2816735 | 1.265 | 2816934CD | 14.762 | 2816961 | 7.347 | 2817155 | 2.714 | 2817338DB | 15.100 |
| 2816743 | 4.351 | 2816934CE | 14.762 | 2816962 | 7.347 | 2817162 | 4.006 | 2817338DD | 15.100 |
| 2816745 | 12.950 | 2816934CG | 14.762 | 2816964 | 15.293 | 2817163 | 4.010 | 2817338DE | 15.100 |
| 2816748 | 3.430 | 2816934CJ | 14.762 | 2816965 | 15.293 | 2817164 | 6.513 | 2817338DG | 15.100 |
| 2816753 | 0.206 | 2816935BA | 14.762 | 2816966 | 15.292 | 2817165 | 12.948 | 2817339 | 12.951 |
| 2816766 | 0.830 | 2816935CA | 14.762 | 2816967 | 4.015 | 2817166 | 12.948 | 2817340 | 12.951 |
| 2816774 | 12.948 | 2816935CB | 14.762 | 2816972BA | 14.762 | 2817167 | 11.208 | 2817346 | 4.040 |
| 2816775 | 12.948 | 2816935CD | 14.762 | 2816972CA | 14.762 | 2817166 | 11.208 | 2817353 | 11.392 |
| 2816776 | 12.948 | 2816935CE | 14.762 | 2816972CB | 14.762 | 2817170 | 4.342 | 2817354 | 11.392 |
| 2816777 | 12.948 | 2816935CG | 14.762 | 2816972CD | 14.762 | 2817171 | 12.966 | 2817357 | 11.388 |
| 2816796 | 0.830 | 2816935CJ | 14.762 | 2816972CE | 14.762 | 2817174 | 7.630 | 2817358 | 11.388 |
| 2816797 | 11.925 | 2816938BA | 14.762 | 2816972CG | 14.762 | 2817175 | 12.182 | 2817360 | 4.294 |
| 2816798 | 10.563 | 2816938CA | 14.762 | 2816972CJ | 14.762 | 2817218 | 4.040 | 2817382 | 9.779 |
| 2816800 | 15.292 | 2816938CB | 14.762 | 2816972DA | 14.762 | 2817223 | 11.373 | 2817384 | 2.555 |
| 2816801 | 15.292 | 2816938CD | 14.762 | 2816972DB | 14.762 | 2817224 | 4.265 | 2817385 | 10.777 |
| 2816805 | 15.292 | 2816938CE | 14.762 | 2816972DC | 14.762 | 2817227 | 10.681 | 2817390 | 12.196 |
| 2816808 | 2.515 | 2816938CG | 14.762 | 2816972DE | 14.762 | 2817228 | 10.681 | 2817399 | 11.041 |
| 2816812 | 0.844 | 2816938CJ | 14.762 | 2816972DF | 14.762 | 2817231 | 11.015 | 2817400 | 11.041 |
| 2816813 | 2.810 | 2816938DA | 14.762 | 2816972DG | 14.762 | 2817232 | 11.015 | 2817401 | 10.783 |
| 2816815 | 11.373 | 2816938DB | 14.762 | 2816973 | 0.830 | 2817244 | 11.015 | 2817402 | 10.783 |
| 2816850 | 12.955 | 2816938DC | 14.762 | 2816975 | 7.347 | 2817245 | 11.015 | 2817403 | 12.277 |
| 2816851 | 0.839 | 2816938DE | 14.762 | 2816983 | 7.831 | 2817246 | 10.710 | 2817409 | 9.262 |
| 2816858 | 13.090 | 2816938DF | 14.762 | 2816984 | 10.556 | 2817247 | 10.710 | 2817410 | 9.217 |
| 2816859 | 13.090 | 2816938DG | 14.762 | 2816985 | 4.015 | 2817249 | 2.515 | 2817415 | 0.918 |
| 2816862 | 12.948 | 2816939BA | 14.762 | 2816987 | 12.580 | 2817254 | 2.520 | 2817426 | 4.686 |
| 2816863 | 12.948 | 2816939CA | 14.762 | 2816988 | 12.580 | 2817256 | 10.685 | 2817452 | 10.529 |
| 2816864 | 12.116 | 2816939CB | 14.762 | 2816992 | 9.778 | 2817257 | 10.685 | 2817453 | 10.529 |
| 2816865 | 12.116 | 2816939CD | 14.762 | 2817008 | 13.092 | 2817261 | 8.820 | 2817454 | 0.844 |
| 2816882 | 4.265 | 2816939CE | 14.762 | 2817010 | 0.852 | 2817265 | 9.779 | 2817456 | 10.506 |
| 2816884 | 8.304 | 2816939CG | 14.762 | 2817018 | 4.040 | 2817266 | 2.705 | 2817457 | 0.830 |
| 2816885 | 8.304 | 2816939CJ | 14.762 | 2817020 | 2.515 | 2817267 | 1.265 | 2817459 | 11.950 |
| 2816889 | 2.820 | 2816939DA | 14.762 | 2817021 | 0.852 | 2817275 | 1.265 | 2817460 | 11.950 |
| 2816892 | 2.824 | 2816939DB | 14.762 | 2817025 | 12.121 | 2817276 | 4.015 | 2817462 | 11.960 |
| 2816893 | 10.500 | 2816939DC | 14.762 | 2817025CLP | 12.121 | 2817277 | 15.293 | 2817463 | 11.950 |
| 2816894 | 10.500 | 2816939DE | 14.762 | 2817026 | 15.290 | 2817296 | 11.388 | 2817464 | 11.925 |
| 2816898 | 2.555 | 2816939DF | 14.762 | 2817026BA | 15.290 | 2817297 | 11.388 | 2817465 | 11.940 |
| 2816899 | 13.090 | 2816939DG | 14.762 | 2817027 | 4.006 | 2817298 | 11.392 | 2817466 | 11.940 |
| 2816900 | 13.090 | 2816942BA | 14.686 | 2817028 | 4.006 | 2817299 | 11.392 | 2817467 | 10.783 |
| 2816901 | 12.275 | 2816942CA | 14.686 | 2817035 | 12.986 | 2817320 | 11.390 | 2817468 | 10.783 |
| 2816902 | 9.662 | 2816942CB | 14.686 | 2817036 | 12.986 | 2817321 | 11.390 | 2817471BA | 15.100 |
| 2816907BA | 6.513 | 2816942CD | 14.686 | 2817043 | 10.512 | 2817329 | 11.389 | 2817471BK | 15.100 |
| 2816907CA | 6.513 | 2816942CE | 14.686 | 2817044 | 10.512 | 2817332 | 5.871 | 2817471BL | 15.100 |
| 2816907CH | 6.513 | 2816942CG | 14.686 | 2817074 | 4.006 | 2817337BA | 15.100 | 2817471CA | 15.100 |
| 2816907CJ | 6.513 | 2816942CJ | 14.686 | 2817077 | 0.852 | 2817337BK | 15.100 | 2817471CB | 15.100 |
| 2816907DD | 6.513 | 2816942DA | 14.686 | 2817082 | 12.986 | 2817337BL | 15.100 | 2817471CD | 15.100 |
| 2816907DG | 6.513 | 2816942DB | 14.686 | 2817083 | 12.986 | 2817337CA | 15.100 | 2817471CE | 15.100 |
| 2816908 | 12.179 | 2816942DC | 14.686 | 2817084 | 9.189 | 2817337CB | 15.100 | 2817471CG | 15.100 |
| 2816909 | 12.179 | 2816942DE | 14.686 | 2817085 | 12.121 | 2817337CD | 15.100 | 2817471CJ | 15.100 |
| 2816913 | 2.515 | 2816942DF | 14.686 | 2817097 | 4.016 | 2817337CE | 15.100 | 2817471CK | 15.100 |
| 2816916 | 4.902 | 2816942DG | 14.686 | 2817100 | 11.208 | 2817337CG | 15.100 | 2817471CL | 15.100 |
| 2816919 | 7.865 | 2816943BA | 14.686 | 2817101 | 11.208 | 2817337CJ | 15.100 | 2817471CM | 15.100 |
| 2816920 | 12.112 | 2816943CA | 14.686 | 2817113 | 12.948 | 2817337DA | 15.100 | 2817471CS | 15.100 |
| 2816921 | 12.112 | 2816943CB | 14.686 | 2817117 | 8.132 | 2817337DB | 15.100 | 2817471CY | 15.100 |
| 2816922 | 12.112 | 2816943CD | 14.686 | 2817118 | 10.694 | 2817337DD | 15.100 | 2817471DA | 15.100 |
| 2816923 | 12.112 | 2816943CE | 14.686 | 2817119 | 10.694 | 2817337DE | 15.100 | 2817471DB | 15.100 |
| 2816924 | 12.112 | 2816943CG | 14.686 | 2817120 | 10.702 | 2817337DG | 15.100 | 2817471DC | 15.100 |
| 2816925 | 12.112 | 2816943CJ | 14.686 | 2817121 | 10.702 | 2817338BA | 15.100 | 2817471DE | 15.100 |
| 2816926 | 12.114 | 2816943DA | 14.686 | 2817122 | 10.702 | 2817338BK | 15.100 | 2817471DF | 15.100 |
| 2816927 | 12.114 | 2816943DB | 14.686 | 2817123 | 10.702 | 2817338BL | 15.100 | 2817471DG | 15.100 |
| 2816928 | 12.114 | 2816943DC | 14.686 | 2817129 | 9.632 | 2817338CA | 15.100 | 2817472BA | 15.100 |
| 2816929 | 12.114 | 2816943DE | 14.686 | 2817133 | 4.040 | 2817338CB | 15.100 | 2817472BK | 15.100 |
| 2816930 | 12.114 | 2816943DF | 14.686 | 2817139 | 12.182 | 2817338CD | 15.100 | 2817472BL | 15.100 |
| 2816931 | 12.114 | 2816943DG | 14.686 | 2817149 | 0.683 | 2817338CE | 15.100 | 2817472CA | 15.100 |
| 2816934BA | 14.762 | 2816944 | 15.294 | 2817150 | 10.685 | 2817338CG | 15.100 | 2817472CB | 15.100 |
| 2816934CA | 14.762 | 2816947 | 0.386 | 2817151 | 10.685 | 2817338CJ | 15.100 | 2817472CD | 15.100 |
| 2816934CB | 14.762 | 2816950 | 10.185 | 2817154 | 4.685 | 2817338DA | 15.100 | 2817472CE | 15.100 |

“HQ” PARTS CATALOGUE

| PART No. | GROUP | PART No. | GROUP | PART No. | GROUP | PART No. | GROUP | PART No. | GROUP |
|-----------|-------------|-----------|-------------|-----------|-------------|-----------|-------------|-----------|-------------|
| 2817472CG |15.100 | 2817480DE |14.800 | 2817501DF |14.685 | 2817581 |0.094 | 2817719CH |14.650 |
| 2817472CJ |15.100 | 2817480DF |14.800 | 2817501DG |14.685 | 2817582 |0.094 | 2817719CJ |14.650 |
| 2817472CK |15.100 | 2817480DG |14.800 | 2817502BA |14.685 | 2817583 |0.094 | 2817719DD |14.650 |
| 2817472CL |15.100 | 2817481BA |15.035 | 2817502CA |14.685 | 2817585 |0.094 | 2817719DG |14.650 |
| 2817472CM |15.100 | 2817481BK |15.035 | 2817502CB |14.685 | 2817586 |0.094 | 2817723 |0.830 |
| 2817472CS |15.100 | 2817481BL |15.035 | 2817502CD |14.685 | 2817587 |0.094 | 2817726 |12.972 |
| 2817472CY |15.100 | 2817481CK |15.035 | 2817502CG |14.685 | 2817588 |0.096 | 2817736 |4.009 |
| 2817472DA |15.100 | 2817481CL |15.035 | 2817502CJ |14.685 | 2817589 |0.096 | 2817737 |4.009 |
| 2817472DB |15.100 | 2817481CM |15.035 | 2817502CY |14.685 | 2817590 |0.096 | 2817738 |5.002 |
| 2817472DC |15.100 | 2817481CS |15.035 | 2817502DA |14.685 | 2817592 |0.096 | 2817739 |2.810 |
| 2817472DE |15.100 | 2817481CY |15.035 | 2817502DB |14.685 | 2817593 |0.096 | 2817759 |10.002 |
| 2817472DF |15.100 | 2817481DJ |15.035 | 2817502DC |14.685 | 2817594 |0.096 | 2817760 |10.002 |
| 2817472DG |15.100 | 2817481DK |15.035 | 2817502DE |14.685 | 2817595 |0.106 | 2817761 |10.002 |
| 2817473 |12.277 | 2817481DL |15.035 | 2817502DF |14.685 | 2817596 |0.106 | 2817762 |10.002 |
| 2817474 |10.777 | 2817481DM |15.035 | 2817502DG |14.685 | 2817597 |0.106 | 2817763 |10.002 |
| 2817475 |10.777 | 2817482BA |15.035 | 2817506 |15.002 | 2817599 |0.106 | 2817765 |10.002 |
| 2817476 |12.277 | 2817482CA |15.035 | 2817511 |11.950 | 2817600 |0.106 | 2817766 |10.002 |
| 2817477BA |14.880 | 2817482CB |15.035 | 2817523 |10.777 | 2817601 |0.106 | 2817767 |10.002 |
| 2817477BK |14.880 | 2817482CD |15.035 | 2817524 |10.777 | 2817627 |4.279 | 2817768 |4.006 |
| 2817477BL |14.880 | 2817482CE |15.035 | 2817525 |10.777 | 2817629 |4.279 | 2817770 |2.515 |
| 2817477CK |14.880 | 2817482CG |15.035 | 2817528 |10.777 | 2817631 |4.265 | 2817771 |2.515 |
| 2817477CL |14.880 | 2817482CJ |15.035 | 2817529 |10.777 | 2817632 |4.265 | 2817774 |4.003 |
| 2817477CM |14.880 | 2817482CY |15.035 | 2817530 |10.777 | 2817633 |4.265 | 2817775 |4.003 |
| 2817477CS |14.880 | 2817482DA |15.035 | 2817531 |2.714 | 2817634 |4.265 | 2817778 |4.003 |
| 2817477CY |14.880 | 2817482DB |15.035 | 2817532 |2.714 | 2817836 |11.960 | 2817779 |4.003 |
| 2817477DJ |14.880 | 2817482DC |15.035 | 2817533BA |15.100 | 2817638 |2.810 | 2817791 |2.342 |
| 2817477DK |14.880 | 2817482DE |15.035 | 2817533CA |15.100 | 2817657 |12.810 | 2817792 |2.515 |
| 2817477DL |14.880 | 2817482DF |15.035 | 2817533CB |15.100 | 2817658 |12.810 | 2817793 |2.515 |
| 2817477DM |14.880 | 2817482DG |15.035 | 2817533CD |15.100 | 2817661BA |14.650 | 2817804 |2.170 |
| 2817478BA |14.880 | 2817483BA |15.000 | 2817533CE |15.100 | 2817661CA |14.650 | 2817811 |2.685 |
| 2817478CA |14.880 | 2817483BK |15.000 | 2817533CG |15.100 | 2817661CB |14.650 | 2817812 |2.665 |
| 2817478CB |14.880 | 2817483BL |15.000 | 2817533CJ |15.100 | 2817661CD |14.650 | 2817813 |2.705 |
| 2817478CD |14.880 | 2817483CK |15.000 | 2817533CY |15.100 | 2817661CE |14.650 | 2817816 |3.430 |
| 2817478CE |14.880 | 2817483CL |15.000 | 2817533DA |15.100 | 2817661CG |14.650 | 2817817 |3.430 |
| 2817478CG |14.880 | 2817483CM |15.000 | 2817533DB |15.100 | 2817661CJ |14.650 | 2817818 |3.430 |
| 2817478CJ |14.880 | 2817483CS |15.000 | 2817533DC |15.100 | 2817661DA |14.650 | 2817819BA |14.685 |
| 2817478CY |14.880 | 2817483CY |15.000 | 2817533DE |15.100 | 2817661DB |14.650 | 2817819CA |14.685 |
| 2817478DA |14.880 | 2817483DJ |15.000 | 2817533DF |15.100 | 2817661DC |14.650 | 2817819CB |14.685 |
| 2817478DB |14.880 | 2817483DK |15.000 | 2817533DG |15.100 | 2817661DE |14.650 | 2817819CD |14.685 |
| 2817478DC |14.880 | 2817483DL |15.000 | 2817534BA |15.100 | 2817661DF |14.650 | 2817819CE |14.685 |
| 2817478DE |14.880 | 2817483DM |15.000 | 2817534CA |15.100 | 2817661DG |14.650 | 2817819CG |14.685 |
| 2817478DF |14.880 | 2817484BA |15.000 | 2817534CB |15.100 | 2817673 |12.982 | 2817819CJ |14.685 |
| 2817478DG |14.880 | 2817484CA |15.000 | 2817534CD |15.100 | 2817695 |10.150 | 2817819CT |14.685 |
| 2817479BA |14.800 | 2817484CB |15.000 | 2817534CE |15.100 | 2817698CE |14.640 | 2817819CV |14.685 |
| 2817479BK |14.800 | 2817484CD |15.000 | 2817534CG |15.100 | 2817702 |15.293 | 2817819CY |14.685 |
| 2817479BL |14.800 | 2817484CE |15.000 | 2817534CJ |15.100 | 2817703 |15.293 | 2817819DA |14.685 |
| 2817479CK |14.800 | 2817484CG |15.000 | 2817534CY |15.100 | 2817704 |15.293 | 2817819DB |14.685 |
| 2817479CL |14.800 | 2817484CJ |15.000 | 2817534DA |15.100 | 2817707 |8.132 | 2817819DC |14.685 |
| 2817479CM |14.800 | 2817484CY |15.000 | 2817534DB |15.100 | 2817714 |4.035 | 2817819DE |14.685 |
| 2817479CS |14.800 | 2817484DA |15.000 | 2817534DC |15.100 | 2817715 |4.035 | 2817819DF |14.685 |
| 2817479CY |14.800 | 2817484DB |15.000 | 2817534DE |15.100 | 2817716 |4.035 | 2817819DG |14.685 |
| 2817479DJ |14.800 | 2817484DC |15.000 | 2817534DF |15.100 | 2817717 |4.045 | 2817820BA |14.685 |
| 2817479DK |14.800 | 2817484DE |15.000 | 2817534DG |15.100 | 2817718BA |14.650 | 2817820CA |14.685 |
| 2817479DL |14.800 | 2817484DF |15.000 | 2817535 |2.520 | 2817718CA |14.650 | 2817820CB |14.685 |
| 2817479DM |14.800 | 2817484DG |15.000 | 2817536 |2.520 | 2817718CB |14.650 | 2817820CD |14.685 |
| 2817480BA |14.800 | 2817501BA |14.685 | 2817538 |2.555 | 2817718CD |14.650 | 2817820CE |14.685 |
| 2817480CA |14.800 | 2817501CA |14.685 | 2817539 |10.185 | 2817718CE |14.650 | 2817820CG |14.685 |
| 2817480CB |14.800 | 2817501CB |14.685 | 2817545 |10.270 | 2817718CH |14.650 | 2817820CJ |14.685 |
| 2817480CD |14.800 | 2817501CD |14.685 | 2817550 |9.211 | 2817718CJ |14.650 | 2817820CT |14.685 |
| 2817480CE |14.800 | 2817501CG |14.685 | 2817552 |12.956 | 2817718DD |14.650 | 2817820CV |14.685 |
| 2817480CG |14.800 | 2817501CJ |14.685 | 2817553 |15.002 | 2817718DG |14.650 | 2817820CY |14.685 |
| 2817480CJ |14.800 | 2817501CY |14.685 | 2817554 |11.950 | 2817719BA |14.650 | 2817820DA |14.685 |
| 2817480CY |14.800 | 2817501DA |14.685 | 2817555 |10.777 | 2817719CA |14.650 | 2817820DB |14.685 |
| 2817480DA |14.800 | 2817501DB |14.685 | 2817567 |4.686 | 2817719CB |14.650 | 2817820DC |14.685 |
| 2817480DB |14.800 | 2817501DC |14.685 | 2817577 |4.351 | 2817719CD |14.650 | 2817820DE |14.685 |
| 2817480DC |14.800 | 2817501DE |14.685 | 2817578 |4.003 | 2817719CE |14.650 | 2817820DF |14.685 |

"HQ" PARTS CATALOGUE

| PART No. | GROUP | PART No. | GROUP | PART No. | GROUP | PART No. | GROUP | PART No. | GROUP |
|-----------|--------|-----------|--------|-----------|--------|-----------|--------|-----------|--------|
| 2817820DG | 14.685 | 2818047CJ | 14.760 | 2818198 | 3.710 | 2818435 | 9.262 | 2818596CS | 15.035 |
| 2817821 | 14.890 | 2818047CT | 14.760 | 2818199 | 2.515 | 2818442 | 6.233 | 2818596CY | 15.035 |
| 2817823 | 15.036 | 2818047CV | 14.760 | 2818200 | 12.810 | 2818443 | 6.233 | 2818596DJ | 15.035 |
| 2817833 | 14.890 | 2818047CY | 14.760 | 2818201 | 12.810 | 2818450 | 0.027 | 2818596DK | 15.035 |
| 2817848 | 2.515 | 2818047DA | 14.760 | 2818202 | 12.810 | 2818451 | 0.027 | 2818596DL | 15.035 |
| 2817866 | 2.697 | 2818047DB | 14.760 | 2818203 | 12.810 | 2818456 | 9.779 | 2818596DM | 15.035 |
| 2817867 | 13.090 | 2818047DC | 14.760 | 2818214 | 9.788 | 2818466 | 11.561 | 2818597BA | 15.035 |
| 2817874 | 4.342 | 2818047DE | 14.760 | 2818215 | 9.220 | 2818471 | 11.960 | 2818597CA | 15.035 |
| 2817876 | 9.169 | 2818047DF | 14.760 | 2818222 | 2.342 | 2818476 | 6.361 | 2818597CB | 15.035 |
| 2817877 | 9.169 | 2818047DG | 14.760 | 2818234BA | 14.685 | 2818477 | 6.361 | 2818597CD | 15.035 |
| 2817878 | 9.217 | 2818092 | 5.545 | 2818234CA | 14.685 | 2818478 | 6.361 | 2818597CE | 15.035 |
| 2817879 | 6.670 | 2818093 | 5.546 | 2818234CB | 14.685 | 2818480 | 6.361 | 2818597CG | 15.035 |
| 2817881 | 6.670 | 2818094 | 6.758 | 2818234CD | 14.685 | 2818481 | 6.361 | 2818597CJ | 15.035 |
| 2817884 | 2.361 | 2818095 | 6.758 | 2818234CE | 14.685 | 2818482 | 6.361 | 2818597CY | 15.035 |
| 2817915 | 9.788 | 2818096 | 6.758 | 2818234CG | 14.685 | 2818483 | 6.361 | 2818597DA | 15.035 |
| 2817923 | 3.003 | 2818097 | 14.802 | 2818234CJ | 14.685 | 2818484 | 6.361 | 2818597DB | 15.035 |
| 2817925 | 3.001 | 2818098 | 0.852 | 2818234CT | 14.685 | 2818485 | 7.503 | 2818597DC | 15.035 |
| 2817926 | 3.001 | 2818115 | 1.219 | 2818234CV | 14.685 | 2818486 | 7.503 | 2818597DE | 15.035 |
| 2817928 | 3.001 | 2818116 | 1.219 | 2818234CY | 14.685 | 2818488 | 7.503 | 2818597DF | 15.035 |
| 2817929 | 3.001 | 2818117 | 1.219 | 2818234DA | 14.685 | 2818500 | 7.345 | 2818597DG | 15.035 |
| 2817932 | 3.001 | 2818118 | 1.219 | 2818234DB | 14.685 | 2818503 | 4.040 | 2818598BA | 15.035 |
| 2817933 | 3.001 | 2818119 | 1.219 | 2818234DC | 14.685 | 2818506 | 4.700 | 2818598CA | 15.035 |
| 2817934 | 3.001 | 2818122 | 1.219 | 2818234DE | 14.685 | 2818520 | 15.002 | 2818598CE | 15.035 |
| 2817935 | 3.001 | 2818123 | 1.219 | 2818234DF | 14.685 | 2818523 | 4.128 | 2818598CG | 15.035 |
| 2817952 | 0.852 | 2818124 | 1.219 | 2818234DG | 14.685 | 2818524 | 4.128 | 2818598CJ | 15.035 |
| 2817961 | 9.788 | 2818125 | 1.219 | 2818235BA | 14.685 | 2818527 | 12.980 | 2818598CN | 15.035 |
| 2817963 | 9.788 | 2818126 | 1.219 | 2818235CA | 14.685 | 2818538 | 4.006 | 2818598CX | 15.035 |
| 2817981 | 9.195 | 2818129BA | 15.100 | 2818235CB | 14.685 | 2818539 | 4.040 | 2818598CY | 15.035 |
| 2817983 | 6.154 | 2818129CA | 15.100 | 2818235CD | 14.685 | 2818540 | 4.041 | 2818598DB | 15.035 |
| 2817990 | 15.290 | 2818129CB | 15.100 | 2818235CE | 14.685 | 2818541 | 4.040 | 2818598DC | 15.035 |
| 2817999 | 9.786 | 2818129CD | 15.100 | 2818235CF | 14.685 | 2818544 | 4.040 | 2818598DE | 15.035 |
| 2818000 | 9.786 | 2818129CE | 15.100 | 2818235CJ | 14.685 | 2818586 | 14.691 | 2818598DF | 15.035 |
| 2818001 | 9.262 | 2818129CG | 15.100 | 2818235CT | 14.685 | 2818587 | 8.798 | 2818598DG | 15.035 |
| 2818002 | 9.262 | 2818129CJ | 15.100 | 2818235CV | 14.685 | 2818593BA | 15.000 | 2818598DH | 15.035 |
| 2818003 | 9.262 | 2818129CY | 15.100 | 2818235CY | 14.685 | 2818593BK | 15.000 | 2818599BA | 15.035 |
| 2818020 | 10.187 | 2818129DA | 15.100 | 2818235DA | 14.685 | 2818593BL | 15.000 | 2818599CA | 15.035 |
| 2818021 | 10.187 | 2818129DB | 15.100 | 2818235DB | 14.685 | 2818593CK | 15.000 | 2818599CE | 15.035 |
| 2818022 | 10.187 | 2818129DC | 15.100 | 2818235DE | 14.685 | 2818593CL | 15.000 | 2818599CG | 15.035 |
| 2818023 | 10.187 | 2818129DE | 15.100 | 2818235DF | 14.685 | 2818593CM | 15.000 | 2818599CJ | 15.035 |
| 2818024 | 10.187 | 2818129DF | 15.100 | 2818235DG | 14.685 | 2818593CS | 15.000 | 2818599CN | 15.035 |
| 2818028 | 7.020 | 2818129DG | 15.100 | 2818246 | 3.705 | 2818593CY | 15.000 | 2818599CX | 15.035 |
| 2818029 | 7.020 | 2818130BA | 15.100 | 2818247 | 3.705 | 2818593DJ | 15.000 | 2818599CY | 15.035 |
| 2818034 | 2.555 | 2818130CA | 15.100 | 2818248 | 3.609 | 2818593DK | 15.000 | 2818599DB | 15.035 |
| 2818038 | 4.256 | 2818130CB | 15.100 | 2818249 | 3.609 | 2818593DL | 15.000 | 2818599DC | 15.035 |
| 2818046BA | 14.760 | 2818130CD | 15.100 | 2818250 | 3.609 | 2818593DM | 15.000 | 2818599DE | 15.035 |
| 2818046CA | 14.760 | 2818130CE | 15.100 | 2818251 | 3.609 | 2818594BA | 15.000 | 2818599DF | 15.035 |
| 2818046CB | 14.760 | 2818130CG | 15.100 | 2818264 | 12.972 | 2818594CA | 15.000 | 2818599DG | 15.035 |
| 2818046CD | 14.760 | 2818130CJ | 15.100 | 2818288 | 11.960 | 2818594CB | 15.000 | 2818599DH | 15.035 |
| 2818046CE | 14.760 | 2818130CY | 15.100 | 2818324 | 7.345 | 2818594CD | 15.000 | 2818600 | 0.852 |
| 2818046CG | 14.760 | 2818130DA | 15.100 | 2818325 | 7.345 | 2818594CE | 15.000 | 2818601 | 0.852 |
| 2818046CJ | 14.760 | 2818130DB | 15.100 | 2818326 | 7.345 | 2818594CG | 15.000 | 2818610 | 0.852 |
| 2818046CT | 14.760 | 2818130DC | 15.100 | 2818327 | 7.345 | 2818594CJ | 15.000 | 2818628 | 9.786 |
| 2818046CV | 14.760 | 2818130DE | 15.100 | 2818328 | 7.345 | 2818594CY | 15.000 | 2818632 | 9.262 |
| 2818046CY | 14.760 | 2818130DF | 15.100 | 2818329 | 7.345 | 2818594DA | 15.000 | 2818633 | 9.262 |
| 2818046DA | 14.760 | 2818130DG | 15.100 | 2818330 | 7.345 | 2818594DB | 15.000 | 2818634 | 8.130 |
| 2818046DB | 14.760 | 2818131 | 11.420 | 2818335 | 7.240 | 2818594DC | 15.000 | 2818635 | 8.130 |
| 2818046DC | 14.760 | 2818132 | 11.420 | 2818369 | 9.779 | 2818594DE | 15.000 | 2818641 | 9.211 |
| 2818046DE | 14.760 | 2818151 | 5.586 | 2818388 | 9.215 | 2818594DF | 15.000 | 2818642 | 9.262 |
| 2818046DF | 14.760 | 2818154 | 9.220 | 2818390 | 4.103 | 2818594DG | 15.000 | 2818646 | 9.210 |
| 2818046DG | 14.760 | 2818168 | 3.265 | 2818403 | 10.777 | 2818595BA | 15.000 | 2818652 | 4.015 |
| 2818047BA | 14.760 | 2818184 | 15.293 | 2818405 | 2.694 | 2818596BA | 15.035 | 2818689 | 9.262 |
| 2818047CA | 14.760 | 2818188 | 3.609 | 2818406 | 3.706 | 2818596BK | 15.035 | 2818692 | 9.786 |
| 2818047CB | 14.760 | 2818189 | 3.609 | 2818413 | 10.563 | 2818596BL | 15.035 | 2818693 | 9.262 |
| 2818047CD | 14.760 | 2818190 | 3.705 | 2818414 | 10.563 | 2818596CK | 15.035 | 2818694 | 9.262 |
| 2818047CE | 14.760 | 2818191 | 3.705 | 2818416 | 8.000 | 2818596CL | 15.035 | 2818697 | 9.262 |
| 2818047CG | 14.760 | 2818195 | 4.041 | | | 2818596CM | 15.035 | 2818698 | 9.262 |

| PART No. | GROUP | PART No. | GROUP | PART No. | GROUP | PART No. | GROUP | PART No. | GROUP |
|-----------|--------|-----------|--------|-----------|--------|-----------|--------|------------|--------|
| 2818731 | 9.199 | 2818829BA | 14.798 | 2818843DF | 14.685 | 2818912CE | 15.035 | 2819127CE | 14.880 |
| 2818737 | 9.662 | 2818829CA | 14.798 | 2818843DG | 14.685 | 2818912CG | 15.035 | 2819127CG | 14.880 |
| 2818738 | 9.662 | 2818829CB | 14.798 | 2818844BA | 14.685 | 2818912CJ | 15.035 | 2819127CJ | 14.880 |
| 2818739 | 9.662 | 2818829CD | 14.798 | 2818844CA | 14.685 | 2818912CY | 15.035 | 2819127CN | 14.880 |
| 2818747BA | 15.000 | 2818829CE | 14.798 | 2818844CD | 14.685 | 2818912DA | 15.035 | 2819127CX | 14.880 |
| 2818747CE | 15.000 | 2818829CJ | 14.798 | 2818844CG | 14.685 | 2818912DB | 15.035 | 2819128BA | 14.800 |
| 2818747CN | 15.000 | 2818829DD | 14.798 | 2818844CJ | 14.685 | 2818912DC | 15.035 | 2819128CA | 14.800 |
| 2818748 | 8.132 | 2818829DG | 14.798 | 2818844CT | 14.685 | 2818912DE | 15.035 | 2819128CB | 14.800 |
| 2818752 | 4.015 | 2818830BA | 14.798 | 2818844CV | 14.685 | 2818912DF | 15.035 | 2819128CD | 14.800 |
| 2818753 | 4.015 | 2818830CA | 14.798 | 2818844CY | 14.685 | 2818912DG | 15.035 | 2819128CE | 14.800 |
| 2818775 | 0.852 | 2818830CB | 14.798 | 2818844DB | 14.685 | 2818913BA | 15.035 | 2819128CG | 14.800 |
| 2818785BA | 15.310 | 2818830CD | 14.798 | 2818844DC | 14.685 | 2818913CE | 15.035 | 2819128CJ | 14.800 |
| 2818785CA | 15.310 | 2818830CE | 14.798 | 2818844DF | 14.685 | 2818913CG | 15.035 | 2819129BA | 14.800 |
| 2818785CB | 15.310 | 2818830CJ | 14.798 | 2818844DG | 14.685 | 2818913CJ | 15.035 | 2819129CE | 14.800 |
| 2818785CD | 15.310 | 2818830DD | 14.798 | 2818845BA | 14.760 | 2818913CN | 15.035 | 2819129CJ | 14.800 |
| 2818785CE | 15.310 | 2818830DG | 14.798 | 2818845CA | 14.760 | 2818913CX | 15.035 | 2819129CN | 14.800 |
| 2818785CG | 15.310 | 2818831BA | 14.798 | 2818845CD | 14.760 | 2818913CY | 15.035 | 2819152 | 2.275 |
| 2818785CJ | 15.310 | 2818831CA | 14.798 | 2818845CG | 14.760 | 2818913DB | 15.035 | 2819154 | 2.275 |
| 2818785CY | 15.310 | 2818831CB | 14.798 | 2818845CJ | 14.760 | 2818913DE | 15.035 | 2819155 | 2.500 |
| 2818785DA | 15.310 | 2818831CD | 14.798 | 2818845CT | 14.760 | 2818913DF | 15.035 | 2819162 | 15.036 |
| 2818785DB | 15.310 | 2818831CE | 14.798 | 2818845CV | 14.760 | 2818913DG | 15.035 | 2819164 | 10.466 |
| 2818785DD | 15.310 | 2818831CJ | 14.798 | 2818845CY | 14.760 | 2818929 | 0.519 | 2819165 | 10.466 |
| 2818785DE | 15.310 | 2818831DD | 14.798 | 2818845DB | 14.760 | 2818961 | 0.831 | 2819169 | 12.116 |
| 2818785DF | 15.310 | 2818831DG | 14.798 | 2818845DC | 14.760 | 2818974 | 3.003 | 2819170 | 12.116 |
| 2818785DG | 15.310 | 2818832BA | 14.798 | 2818845DF | 14.760 | 2818975 | 3.003 | 2819172 | 14.890 |
| 2818819 | 9.170 | 2818832CA | 14.798 | 2818845DG | 14.760 | 2818981 | 15.002 | 2819175 | 9.281 |
| 2818821 | 3.285 | 2818832CB | 14.798 | 2818846BA | 14.760 | 2818984 | 9.276 | 2819177 | 9.281 |
| 2818824BA | 14.798 | 2818832CD | 14.798 | 2818846CA | 14.760 | 2818985 | 9.276 | 2819178 | 9.281 |
| 2818824CA | 14.798 | 2818832CE | 14.798 | 2818846CD | 14.760 | 2818986 | 9.276 | 2819179 | 9.281 |
| 2818824CB | 14.798 | 2818832CJ | 14.798 | 2818846CG | 14.760 | 2818996 | 14.802 | 2819181 | 9.281 |
| 2818824CD | 14.798 | 2818832DD | 14.798 | 2818846CJ | 14.760 | 2819001 | 4.030 | 2819184 | 7.020 |
| 2818824CE | 14.798 | 2818832DG | 14.798 | 2818846CT | 14.760 | 2819015 | 10.777 | 2819186 | 9.662 |
| 2818824CJ | 14.798 | 2818836BA | 15.040 | 2818846CV | 14.760 | 2819022 | 2.041 | 2819187 | 9.662 |
| 2818824DD | 14.798 | 2818836CA | 15.040 | 2818846CY | 14.760 | 2819030 | 14.802 | 2819188 | 9.662 |
| 2818824DG | 14.798 | 2818836CB | 15.040 | 2818846DB | 14.760 | 2819075 | 4.055 | 2819189 | 9.662 |
| 2818825BA | 14.798 | 2818836CD | 15.040 | 2818846DC | 14.760 | 2819076BA | 14.804 | 2819190 | 9.662 |
| 2818825CA | 14.798 | 2818836CE | 15.040 | 2818846DF | 14.760 | 2819076CA | 14.804 | 2819191 | 9.662 |
| 2818825CB | 14.798 | 2818836CJ | 15.040 | 2818846DG | 14.760 | 2819076CB | 14.804 | 2819199 | 12.182 |
| 2818825CD | 14.798 | 2818836DD | 15.040 | 2818853 | 6.897 | 2819076CD | 14.804 | 2819199CLP | 12.182 |
| 2818825CE | 14.798 | 2818836DG | 15.040 | 2818874 | 1.219 | 2819076CE | 14.804 | 2819200 | 12.116 |
| 2818825CJ | 14.798 | 2818837BA | 15.040 | 2818875 | 1.219 | 2819076CG | 14.804 | 2819201 | 12.116 |
| 2818825DD | 14.798 | 2818837CB | 15.040 | 2818876 | 1.219 | 2819076CJ | 14.804 | 2819202 | 12.075 |
| 2818825DG | 14.798 | 2818837CD | 15.040 | 2818877 | 1.270 | 2819076CY | 14.804 | 2819203 | 12.075 |
| 2818826BA | 14.798 | 2818837DD | 15.040 | 2818878 | 1.159 | 2819076DA | 14.804 | 2819204BA | 15.001 |
| 2818826CA | 14.798 | 2818837CE | 15.040 | 2818879 | 2.679 | 2819076DB | 14.804 | 2819204CA | 15.001 |
| 2818826CB | 14.798 | 2818837CJ | 15.040 | 2818897 | 3.798 | 2819076DC | 14.804 | 2819204CG | 15.001 |
| 2818826CD | 14.798 | 2818837DD | 15.040 | 2818907BA | 14.880 | 2819076DE | 14.804 | 2819204CJ | 15.001 |
| 2818826CE | 14.798 | 2818837DG | 15.040 | 2818907CA | 14.880 | 2819076DF | 14.804 | 2819204CY | 15.001 |
| 2818826CJ | 14.798 | 2818838BA | 15.040 | 2818907CE | 14.880 | 2819076DG | 14.804 | 2819204DB | 15.001 |
| 2818826DD | 14.798 | 2818838CA | 15.040 | 2818907CG | 14.880 | 2819080 | 15.036 | 2819204DC | 15.001 |
| 2818826DG | 14.798 | 2818838CB | 15.040 | 2818907CJ | 14.880 | 2819089 | 4.685 | 2819204DF | 15.001 |
| 2818827BA | 14.798 | 2818838CD | 15.040 | 2818907CN | 14.880 | 2819098 | 0.643 | 2819204DG | 15.001 |
| 2818827CA | 14.798 | 2818838CE | 15.040 | 2818907CX | 14.880 | 2819099 | 0.643 | 2819205BA | 15.001 |
| 2818827CB | 14.798 | 2818838CJ | 15.040 | 2818907CY | 14.880 | 2819100 | 0.643 | 2819205CA | 15.001 |
| 2818827CD | 14.798 | 2818838DD | 15.040 | 2818907DB | 14.880 | 2819101 | 0.643 | 2819205CD | 15.001 |
| 2818827CE | 14.798 | 2818838DG | 15.040 | 2818907DC | 14.880 | 2819111 | 4.685 | 2819205CG | 15.001 |
| 2818827CJ | 14.798 | 2818843BA | 14.685 | 2818907DE | 14.880 | 2819120 | 14.890 | 2819205CH | 15.001 |
| 2818827DD | 14.798 | 2818843CA | 14.685 | 2818907DF | 14.880 | 2819126BA | 14.880 | 2819205CJ | 15.001 |
| 2818827DG | 14.798 | 2818843CD | 14.685 | 2818907DG | 14.880 | 2819126CA | 14.880 | 2819205CY | 15.001 |
| 2818828BA | 14.798 | 2818843CJ | 14.685 | 2818907DH | 14.880 | 2819126CB | 14.880 | 2819205DB | 15.001 |
| 2818828CA | 14.798 | 2818843CG | 14.685 | 2818908BA | 14.800 | 2819126CD | 14.880 | 2819205DC | 15.001 |
| 2818828CB | 14.798 | 2818843CT | 14.685 | 2818911 | 9.220 | 2819126CE | 14.880 | 2819205DF | 15.001 |
| 2818828CD | 14.798 | 2818843CV | 14.685 | 2818912BA | 15.035 | 2819126CG | 14.880 | 2819205DG | 15.001 |
| 2818828CE | 14.798 | 2818843CY | 14.685 | 2818912CA | 15.035 | 2819126CJ | 14.880 | 2819206BA | 14.880 |
| 2818828CJ | 14.798 | 2818843DB | 14.685 | 2818912CB | 15.035 | 2819127BA | 14.880 | 2819206CA | 14.880 |
| 2818828DD | 14.798 | 2818843DC | 14.685 | 2818912CD | 15.035 | 2819127CA | 14.880 | 2819206CB | 14.880 |

"HQ" PARTS CATALOGUE

| PART No. | GROUP | PART No. | GROUP | PART No. | GROUP | PART No. | GROUP | PART No. | GROUP |
|-----------|--------|-----------|--------|-----------|--------|-----------|--------|-----------|--------|
| 2819206CD | 14.880 | 2819357CE | 14.800 | 2819362CD | 15.000 | 2819420 | 10.373 | 2819519 | 0.629 |
| 2819206CE | 14.880 | 2819357CG | 14.800 | 2819362CE | 15.000 | 2819421 | 10.373 | 2819520 | 0.629 |
| 2819206CG | 14.880 | 2819357CJ | 14.800 | 2819362CG | 15.000 | 2819422 | 10.373 | 2819521 | 0.629 |
| 2819206CJ | 14.880 | 2819357CY | 14.800 | 2819362CJ | 15.000 | 2819423 | 12.913 | 2819522 | 0.629 |
| 2819207BA | 14.880 | 2819357DA | 14.800 | 2819362CY | 15.000 | 2819424 | 12.913 | 2819523 | 0.629 |
| 2819207CE | 14.880 | 2819357DB | 14.800 | 2819362DA | 15.000 | 2819426 | 9.628 | 2819524 | 0.629 |
| 2819207CG | 14.880 | 2819357DC | 14.800 | 2819362DB | 15.000 | 2819427 | 9.628 | 2819525 | 0.629 |
| 2819207CN | 14.880 | 2819357DE | 14.800 | 2819362DC | 15.000 | 2819428 | 9.628 | 2819526 | 0.629 |
| 2819207CX | 14.880 | 2819357DF | 14.800 | 2819362DE | 15.000 | 2819429 | 9.628 | 2819527 | 0.629 |
| 2819207CZ | 14.880 | 2819357DG | 14.800 | 2819362DF | 15.000 | 2819430 | 9.628 | 2819528 | 0.629 |
| 2819208BA | 14.800 | 2819358BA | 14.800 | 2819362DG | 15.000 | 2819431 | 9.628 | 2819529 | 0.629 |
| 2819208CA | 14.800 | 2819358CA | 14.800 | 2819363BA | 15.000 | 2819432 | 15.002 | 2819539 | 14.731 |
| 2819208CB | 14.800 | 2819358CE | 14.800 | 2819363CA | 15.000 | 2819433 | 15.002 | 2819542 | 6.518 |
| 2819208CD | 14.800 | 2819358CG | 14.800 | 2819363CE | 15.000 | 2819434 | 15.002 | 2819543 | 6.518 |
| 2819208CE | 14.800 | 2819358CJ | 14.800 | 2819363CG | 15.000 | 2819441BA | 15.024 | 2819563 | 15.002 |
| 2819208CG | 14.800 | 2819358CN | 14.800 | 2819363CJ | 15.000 | 2819441CA | 15.024 | 2819576 | 7.020 |
| 2819208CJ | 14.800 | 2819358CX | 14.800 | 2819363CN | 15.000 | 2819441CB | 15.024 | 2819577 | 7.020 |
| 2819209BA | 14.800 | 2819358CY | 14.800 | 2819363CX | 15.000 | 2819441CD | 15.024 | 2819589 | 3.704 |
| 2819209CE | 14.800 | 2819358DB | 14.800 | 2819363CY | 15.000 | 2819441CE | 15.024 | 2819590 | 3.704 |
| 2819209CN | 14.800 | 2819358DE | 14.800 | 2819363DB | 15.000 | 2819441CH | 15.024 | 2819591 | 3.704 |
| 2819226 | 9.195 | 2819358DF | 14.800 | 2819363DE | 15.000 | 2819441CJ | 15.024 | 2819592 | 4.205 |
| 2819238 | 15.002 | 2819358DG | 14.800 | 2819363DF | 15.000 | 2819441CY | 15.024 | 2819593 | 4.205 |
| 2819239 | 14.860 | 2819359BA | 15.035 | 2819363DG | 15.000 | 2819441DD | 15.024 | 2819595 | 7.020 |
| 2819241 | 14.641 | 2819359CA | 15.035 | 2819364BA | 15.000 | 2819441DG | 15.024 | 2819600 | 10.159 |
| 2819259 | 7.003 | 2819359CB | 15.035 | 2819364CA | 15.000 | 2819442BA | 15.024 | 2819601 | 10.159 |
| 2819260 | 7.003 | 2819359CD | 15.035 | 2819364CE | 15.000 | 2819442CA | 15.024 | 2819605 | 4.054 |
| 2819261 | 3.451 | 2819359CE | 15.035 | 2819364CG | 15.000 | 2819442CB | 15.024 | 2819613 | 2.585 |
| 2819263 | 7.003 | 2819359CG | 15.035 | 2819364CJ | 15.000 | 2819442CD | 15.024 | 2819614 | 2.589 |
| 2819264 | 7.003 | 2819359CJ | 15.035 | 2819364CN | 15.000 | 2819442CE | 15.024 | 2819615 | 2.586 |
| 2819278 | 9.788 | 2819359CY | 15.035 | 2819364CX | 15.000 | 2819442CH | 15.024 | 2819616 | 2.590 |
| 2819283 | 12.803 | 2819359DA | 15.035 | 2819364CY | 15.000 | 2819442CJ | 15.024 | 2819617 | 14.890 |
| 2819289 | 14.890 | 2819359DB | 15.035 | 2819364DB | 15.000 | 2819442CY | 15.024 | 2819622 | 4.205 |
| 2819290 | 7.865 | 2819359DC | 15.035 | 2819364DE | 15.000 | 2819442DD | 15.024 | 2819623 | 4.205 |
| 2819291 | 7.865 | 2819359DE | 15.035 | 2819364DF | 15.000 | 2819442DG | 15.024 | 2819631 | 7.020 |
| 2819316 | 6.672 | 2819359DF | 15.035 | 2819364DG | 15.000 | 2819443BA | 15.024 | 2819632 | 14.802 |
| 2819324 | 10.185 | 2819359DG | 15.035 | 2819368 | 14.802 | 2819443CA | 15.024 | 2819633 | 12.810 |
| 2819332 | 7.020 | 2819360BA | 15.035 | 2819371 | 15.036 | 2819443CB | 15.024 | 2819634 | 12.810 |
| 2819334 | 12.182 | 2819360CA | 15.035 | 2819375 | 4.008 | 2819443CD | 15.024 | 2819635 | 12.810 |
| 2819355BA | 14.880 | 2819360CE | 15.035 | 2819377 | 2.041 | 2819443CE | 15.024 | 2819639 | 15.002 |
| 2819355CA | 14.880 | 2819360CG | 15.035 | 2819380 | 14.802 | 2819443CH | 15.024 | 2819642 | 15.002 |
| 2819355CB | 14.880 | 2819360CJ | 15.035 | 2819381 | 15.002 | 2819443CJ | 15.024 | 2819660 | 9.628 |
| 2819355CD | 14.880 | 2819360CN | 15.035 | 2819384 | 15.002 | 2819443CY | 15.024 | 2819661 | 9.628 |
| 2819355CE | 14.880 | 2819360CX | 15.035 | 2819387 | 14.802 | 2819443DD | 15.024 | 2819662 | 9.628 |
| 2819355CG | 14.880 | 2819360CY | 15.035 | 2819395 | 10.351 | 2819443DG | 15.024 | 2819693BA | 14.650 |
| 2819355CJ | 14.880 | 2819360CZ | 15.035 | 2819396 | 10.351 | 2819454 | 0.269 | 2819693CA | 14.650 |
| 2819355CY | 14.880 | 2819360DB | 15.035 | 2819397 | 10.351 | 2819457 | 0.269 | 2819693CB | 14.650 |
| 2819355DB | 14.880 | 2819360DE | 15.035 | 2819398 | 10.351 | 2819458 | 0.289 | 2819693CD | 14.650 |
| 2819355DC | 14.880 | 2819360DF | 15.035 | 2819401 | 10.351 | 2819462 | 0.095 | 2819693CE | 14.650 |
| 2819355DE | 14.880 | 2819360DG | 15.035 | 2819402 | 10.351 | 2819465 | 0.095 | 2819693CG | 14.650 |
| 2819355DF | 14.880 | 2819361BA | 15.000 | 2819403 | 10.351 | 2819468 | 0.105 | 2819693CJ | 14.650 |
| 2819355DG | 14.880 | 2819361CA | 15.000 | 2819404 | 10.351 | 2819471 | 0.105 | 2819693DA | 14.650 |
| 2819356BA | 14.880 | 2819361CB | 15.000 | 2819405 | 10.351 | 2819472 | 1.429 | 2819693DB | 14.650 |
| 2819356CE | 14.880 | 2819361CD | 15.000 | 2819406 | 10.351 | 2819473 | 1.159 | 2819693DC | 14.650 |
| 2819356CG | 14.880 | 2819361CE | 15.000 | 2819407 | 10.351 | 2819474 | 1.159 | 2819693DE | 14.650 |
| 2819356CN | 14.880 | 2819361CG | 15.000 | 2819408 | 10.351 | 2819475 | 1.159 | 2819693DG | 14.650 |
| 2819356CX | 14.880 | 2819361CJ | 15.000 | 2819409 | 12.895 | 2819505 | 0.629 | 2819693BA | 14.650 |
| 2819356CY | 14.880 | 2819361CY | 15.000 | 2819410 | 12.895 | 2819506 | 0.629 | 2819693CA | 14.650 |
| 2819356CZ | 14.880 | 2819361DA | 15.000 | 2819411 | 10.373 | 2819507 | 0.629 | 2819693CB | 14.650 |
| 2819356DB | 14.880 | 2819361DB | 15.000 | 2819412 | 10.373 | 2819508 | 0.629 | 2819693CD | 14.650 |
| 2819356DE | 14.880 | 2819361DC | 15.000 | 2819413 | 10.373 | 2819509 | 0.629 | 2819693CE | 14.650 |
| 2819356DF | 14.880 | 2819361DE | 15.000 | 2819414 | 10.373 | 2819510 | 0.629 | 2819693CG | 14.650 |
| 2819356DG | 14.880 | 2819361DF | 15.000 | 2819415 | 10.373 | 2819511 | 0.629 | 2819693CJ | 14.650 |
| 2819357BA | 14.800 | 2819361DG | 15.000 | 2819416 | 10.373 | 2819512 | 0.629 | 2819693DA | 14.650 |
| 2819357CA | 14.800 | 2819362BA | 15.000 | 2819417 | 10.373 | 2819513 | 0.629 | 2819693DB | 14.650 |
| 2819357CB | 14.800 | 2819362CA | 15.000 | 2819418 | 10.373 | 2819514 | 0.629 | 2819693DC | 14.650 |
| 2819357CD | 14.800 | 2819362CB | 15.000 | 2819419 | 10.373 | 2819515 | 0.629 | 2819693DE | 14.650 |

| PART No. | GROUP | PART No. | GROUP | PART No. | GROUP | PART No. | GROUP | PART No. | GROUP |
|-----------|--------|-----------|--------|-----------|--------|-----------|--------|-----------|--------|
| 2819694DF | 14.650 | 2819784CG | 15.001 | 2819838 | 9.662 | 2819899CP | 15.000 | 2819910DE | 15.035 |
| 2819694DG | 14.650 | 2819784CJ | 15.001 | 2819839 | 9.662 | 2819899CY | 15.000 | 2819910DF | 15.035 |
| 2819696 | 0.643 | 2819784CY | 15.001 | 2819840 | 11.950 | 2819899DB | 15.000 | 2819910DG | 15.035 |
| 2819697 | 0.643 | 2819784DA | 15.001 | 2819855 | 4.081 | 2819899DC | 15.000 | 2819934BA | 15.000 |
| 2819698 | 0.643 | 2819784DB | 15.001 | 2819856 | 4.081 | 2819899DE | 15.000 | 2819934CA | 15.000 |
| 2819699 | 0.643 | 2819784DC | 15.001 | 2819857 | 9.600 | 2819899DF | 15.000 | 2819934CB | 15.000 |
| 2819704BA | 15.000 | 2819784DE | 15.001 | 2819858 | 9.600 | 2819899DG | 15.000 | 2819934CD | 15.000 |
| 2819704CA | 15.000 | 2819784DF | 15.001 | 2819859 | 9.600 | 2819906BA | 15.035 | 2819934CE | 15.000 |
| 2819704CB | 15.000 | 2819784DG | 15.001 | 2819861 | 9.600 | 2819906CA | 15.035 | 2819934CG | 15.000 |
| 2819704CD | 15.000 | 2819785BA | 15.001 | 2819864 | 14.802 | 2819906CB | 15.035 | 2819934CJ | 15.000 |
| 2819704CG | 15.000 | 2819785CE | 15.001 | 2819876 | 15.280 | 2819906CD | 15.035 | 2819934CY | 15.000 |
| 2819704CJ | 15.000 | 2819785CG | 15.001 | 2819877 | 15.002 | 2819906CG | 15.035 | 2819934DA | 15.000 |
| 2819704CY | 15.000 | 2819785CJ | 15.001 | 2819890BA | 15.024 | 2819906CJ | 15.035 | 2819934DB | 15.000 |
| 2819704DA | 15.000 | 2819785CN | 15.001 | 2819890BK | 15.024 | 2819906CY | 15.035 | 2819934DC | 15.000 |
| 2819704DB | 15.000 | 2819785CX | 15.001 | 2819890BL | 15.024 | 2819906DA | 15.035 | 2819934DE | 15.000 |
| 2819704DC | 15.000 | 2819785CY | 15.001 | 2819890CA | 15.024 | 2819906DB | 15.035 | 2819934DF | 15.000 |
| 2819704DE | 15.000 | 2819785DB | 15.001 | 2819890CB | 15.024 | 2819906DC | 15.035 | 2819934DG | 15.000 |
| 2819704DF | 15.000 | 2819785DE | 15.001 | 2819890CD | 15.024 | 2819906DE | 15.035 | 2819935BA | 15.000 |
| 2819704DG | 15.000 | 2819785DF | 15.001 | 2819890CE | 15.024 | 2819906DF | 15.035 | 2819935CE | 15.000 |
| 2819706 | 15.036 | 2819785DG | 15.001 | 2819890CH | 15.024 | 2819906DG | 15.035 | 2819935CG | 15.000 |
| 2819712 | 5.809 | 2819786BA | 14.801 | 2819890CJ | 15.024 | 2819907BA | 15.035 | 2819935CN | 15.000 |
| 2819714 | 5.017 | 2819786CA | 14.801 | 2819890DD | 15.024 | 2819907CA | 15.035 | 2819935CX | 15.000 |
| 2819718 | 5.017 | 2819786CB | 14.801 | 2819890DG | 15.024 | 2819907CB | 15.035 | 2819935CY | 15.000 |
| 2819720 | 5.017 | 2819786CD | 14.801 | 2819891 | 4.226 | 2819907CD | 15.035 | 2819935CZ | 15.000 |
| 2819724 | 5.017 | 2819786CE | 14.801 | 2819896BA | 15.000 | 2819907CE | 15.035 | 2819935DB | 15.000 |
| 2819726 | 5.018 | 2819786CG | 14.801 | 2819896CA | 15.000 | 2819907CG | 15.035 | 2819935DE | 15.000 |
| 2819727 | 5.018 | 2819786CJ | 14.801 | 2819896CB | 15.000 | 2819907CJ | 15.035 | 2819935DF | 15.000 |
| 2819728 | 5.018 | 2819786CY | 14.801 | 2819896CD | 15.000 | 2819907CY | 15.035 | 2819935DG | 15.000 |
| 2819729 | 5.018 | 2819786DA | 14.801 | 2819896CE | 15.000 | 2819907DA | 15.035 | 2819936 | 7.345 |
| 2819746 | 15.002 | 2819786DB | 14.801 | 2819896CG | 15.000 | 2819907DB | 15.035 | 2819937 | 7.345 |
| 2819767 | 15.036 | 2819786DC | 14.801 | 2819896CJ | 15.000 | 2819907DC | 15.035 | 2819950 | 4.655 |
| 2819770 | 1.762 | 2819786DE | 14.801 | 2819896CY | 15.000 | 2819907DE | 15.035 | 2819951BA | 15.000 |
| 2819771 | 2.270 | 2819786DF | 14.801 | 2819896DA | 15.000 | 2819907DF | 15.035 | 2819951CA | 15.000 |
| 2819774BA | 14.880 | 2819786DG | 14.801 | 2819896DB | 15.000 | 2819907DG | 15.035 | 2819951CG | 15.000 |
| 2819774CA | 14.880 | 2819787BA | 14.801 | 2819896DC | 15.000 | 2819908BA | 15.035 | 2819951CJ | 15.000 |
| 2819774CB | 14.880 | 2819787CE | 14.801 | 2819896DE | 15.000 | 2819908CA | 15.035 | 2819951CY | 15.000 |
| 2819774CD | 14.880 | 2819787CG | 14.801 | 2819896DF | 15.000 | 2819908CG | 15.035 | 2819951DB | 15.000 |
| 2819774CE | 14.880 | 2819787CN | 14.801 | 2819896DG | 15.000 | 2819908CH | 15.035 | 2819951DC | 15.000 |
| 2819774CG | 14.880 | 2819787CX | 14.801 | 2819897BA | 15.000 | 2819908CJ | 15.035 | 2819951DF | 15.000 |
| 2819774CJ | 14.880 | 2819787CY | 14.801 | 2819897CA | 15.000 | 2819908CY | 15.035 | 2819951DG | 15.000 |
| 2819775BA | 14.880 | 2819787CZ | 14.801 | 2819897CG | 15.000 | 2819908DB | 15.035 | 2819952BA | 15.000 |
| 2819775CE | 14.880 | 2819787DB | 14.801 | 2819897CH | 15.000 | 2819908DE | 15.035 | 2819952CA | 15.000 |
| 2819775CG | 14.880 | 2819787DE | 14.801 | 2819897CJ | 15.000 | 2819908DF | 15.035 | 2819952CD | 15.000 |
| 2819775CJ | 14.880 | 2819787DF | 14.801 | 2819897CY | 15.000 | 2819908DG | 15.035 | 2819952CG | 15.000 |
| 2819775CN | 14.880 | 2819787DG | 14.801 | 2819897DB | 15.000 | 2819909BA | 15.035 | 2819952CH | 15.000 |
| 2819775CX | 14.880 | 2819799BA | 14.803 | 2819897DE | 15.000 | 2819909CA | 15.035 | 2819952CJ | 15.000 |
| 2819776BA | 14.800 | 2819799CA | 14.803 | 2819897DF | 15.000 | 2819909CD | 15.035 | 2819952CY | 15.000 |
| 2819776CA | 14.800 | 2819799CB | 14.803 | 2819897DG | 15.000 | 2819909CE | 15.035 | 2819952DB | 15.000 |
| 2819776CB | 14.800 | 2819799CD | 14.803 | 2819898BA | 15.000 | 2819909CG | 15.035 | 2819952DC | 15.000 |
| 2819776CD | 14.800 | 2819799CE | 14.803 | 2819898CA | 15.000 | 2819909CJ | 15.035 | 2819952DF | 15.000 |
| 2819776CE | 14.800 | 2819799CG | 14.803 | 2819898CD | 15.000 | 2819909CY | 15.035 | 2819952DG | 15.000 |
| 2819776CG | 14.800 | 2819799CJ | 14.803 | 2819898CE | 15.000 | 2819909DB | 15.035 | 2819959 | 3.265 |
| 2819776CJ | 14.800 | 2819799CY | 14.803 | 2819898CG | 15.000 | 2819909DC | 15.035 | 2819960 | 14.802 |
| 2819777BA | 14.800 | 2819799DA | 14.803 | 2819898CJ | 15.000 | 2819909DE | 15.035 | 2819961 | 15.036 |
| 2819777CA | 14.800 | 2819799DB | 14.803 | 2819898CY | 15.000 | 2819909DF | 15.035 | 2819975 | 4.009 |
| 2819777CE | 14.800 | 2819799DC | 14.803 | 2819898DB | 15.000 | 2819909DG | 15.035 | 2819992 | 11.208 |
| 2819777CG | 14.800 | 2819799DE | 14.803 | 2819898DC | 15.000 | 2819910BA | 15.035 | 2819993BA | 15.001 |
| 2819777CJ | 14.800 | 2819799DF | 14.803 | 2819898DE | 15.000 | 2819910CA | 15.035 | 2819993CA | 15.001 |
| 2819777CN | 14.800 | 2819799DG | 14.803 | 2819898DF | 15.000 | 2819910CD | 15.035 | 2819993CB | 15.001 |
| 2819777CX | 14.800 | 2819802 | 7.640 | 2819898DG | 15.000 | 2819910CE | 15.035 | 2819993CD | 15.001 |
| 2819781 | 14.890 | 2819807 | 4.054 | 2819899BA | 15.000 | 2819910CG | 15.035 | 2819993CE | 15.001 |
| 2819784BA | 15.001 | 2819809 | 15.002 | 2819899CA | 15.000 | 2819910CJ | 15.035 | 2819993CG | 15.001 |
| 2819784CA | 15.001 | 2819813 | 3.107 | 2819899CD | 15.000 | 2819910CP | 15.035 | 2819993CJ | 15.001 |
| 2819784CB | 15.001 | 2819814 | 6.605 | 2819899CE | 15.000 | 2819910CY | 15.035 | 2819993CY | 15.001 |
| 2819784CD | 15.001 | 2819819 | 9.644 | 2819899CG | 15.000 | 2819910DB | 15.035 | 2819993DA | 15.001 |
| 2819784CE | 15.001 | 2819820 | 3.001 | 2819899CJ | 15.000 | 2819910DC | 15.035 | 2819993DB | 15.001 |

"HQ" PARTS CATALOGUE

| PART No. | GROUP | PART No. | GROUP | PART No. | GROUP | PART No. | GROUP | PART No. | GROUP |
|-----------|--------|-----------|--------|-----------|--------|-----------|--------|-----------|--------|
| 2819993DC | 15.001 | 2820102 | 1.219 | 2820182CY | 15.035 | 2820239CG | 14.800 | 2820326CG | 14.924 |
| 2819993DE | 15.001 | 2820103 | 1.219 | 2820182DB | 15.035 | 2820239CH | 14.800 | 2820326CJ | 14.924 |
| 2819993DF | 15.001 | 2820110 | 4.265 | 2820182DC | 15.035 | 2820239CJ | 14.800 | 2820326DA | 14.924 |
| 2819993DG | 15.001 | 2820111 | 2.361 | 2820182DF | 15.035 | 2820239CY | 14.800 | 2820326DB | 14.924 |
| 2819994BA | 15.001 | 2820113BA | 14.803 | 2820182DG | 15.035 | 2820239DB | 14.800 | 2820326DC | 14.924 |
| 2819994CA | 15.001 | 2820113CA | 14.803 | 2820183BA | 15.035 | 2820239DC | 14.800 | 2820326DE | 14.924 |
| 2819994CE | 15.001 | 2820113CD | 14.803 | 2820183CA | 15.035 | 2820239DF | 14.800 | 2820326DF | 14.924 |
| 2819994CG | 15.001 | 2820113CG | 14.803 | 2820183CD | 15.035 | 2820239DG | 14.800 | 2820326DG | 14.924 |
| 2819994CJ | 15.001 | 2820113CJ | 14.803 | 2820183CG | 15.035 | 2820240 | 0.852 | 2820337 | 2.275 |
| 2819994CN | 15.001 | 2820113CY | 14.803 | 2820183CH | 15.035 | 2820241 | 0.852 | 2820340 | 2.275 |
| 2819994CX | 15.001 | 2820113DB | 14.803 | 2820183CJ | 15.035 | 2820246 | 3.159 | 2820345 | 5.517 |
| 2819994CY | 15.001 | 2820113DC | 14.803 | 2820183CY | 15.035 | 2820248 | 4.653 | 2820346 | 9.620 |
| 2819994DB | 15.001 | 2820113DF | 14.803 | 2820183DB | 15.035 | 2820259BA | 4.592 | 2820347 | 9.620 |
| 2819994DE | 15.001 | 2820113DG | 14.803 | 2820183DC | 15.035 | 2820259CA | 4.592 | 2820352 | 9.620 |
| 2819994DF | 15.001 | 2820114BA | 14.803 | 2820183DF | 15.035 | 2820259CB | 4.592 | 2820353 | 9.620 |
| 2819994DG | 15.001 | 2820114CA | 14.803 | 2820183DG | 15.035 | 2820259CD | 4.592 | 2820354 | 3.704 |
| 2820031BA | 14.880 | 2820114CD | 14.803 | 2820196 | 1.219 | 2820259CE | 4.592 | 2820360BA | 14.640 |
| 2820031CA | 14.880 | 2820114CG | 14.803 | 2820197 | 1.219 | 2820259CG | 4.592 | 2820360CA | 14.640 |
| 2820031CD | 14.880 | 2820114CJ | 14.803 | 2820198 | 1.219 | 2820259CJ | 4.592 | 2820360CB | 14.640 |
| 2820031CE | 14.880 | 2820114CY | 14.803 | 2820199 | 1.219 | 2820259DD | 4.592 | 2820360CD | 14.640 |
| 2820031CG | 14.880 | 2820114DB | 14.803 | 2820200 | 9.620 | 2820259DG | 4.592 | 2820360CE | 14.640 |
| 2820031CJ | 14.880 | 2820114DC | 14.803 | 2820201 | 9.620 | 2820260 | 9.664 | 2820360CG | 14.640 |
| 2820032BA | 14.880 | 2820114DF | 14.803 | 2820205 | 5.420 | 2820266BA | 14.801 | 2820360CJ | 14.640 |
| 2820032CA | 14.880 | 2820114DG | 14.803 | 2820206 | 5.420 | 2820266CA | 14.801 | 2820360DA | 14.640 |
| 2820032CD | 14.880 | 2820115 | 12.810 | 2820209 | 2.485 | 2820266CG | 14.801 | 2820360DB | 14.640 |
| 2820032CE | 14.880 | 2820116 | 12.810 | 2820210 | 3.609 | 2820266CJ | 14.801 | 2820360DC | 14.640 |
| 2820032CG | 14.880 | 2820118 | 9.600 | 2820212 | 3.705 | 2820266CY | 14.801 | 2820360DE | 14.640 |
| 2820032CJ | 14.880 | 2820153 | 2.515 | 2820213 | 4.005 | 2820266DB | 14.801 | 2820360DF | 14.640 |
| 2820032CP | 14.880 | 2820154 | 2.515 | 2820214 | 4.005 | 2820266DC | 14.801 | 2820360DG | 14.640 |
| 2820033BA | 14.800 | 2820159 | 2.515 | 2820230 | 4.256 | 2820266DF | 14.801 | 2820361BA | 14.640 |
| 2820033CA | 14.800 | 2820160 | 14.924 | 2820232 | 4.256 | 2820266DG | 14.801 | 2820361CA | 14.640 |
| 2820033CD | 14.800 | 2820166 | 12.982 | 2820233 | 12.810 | 2820267BA | 14.801 | 2820361CB | 14.640 |
| 2820033CE | 14.800 | 2820169 | 12.810 | 2820234 | 12.810 | 2820267CA | 14.801 | 2820361CD | 14.640 |
| 2820033CG | 14.800 | 2820172 | 9.786 | 2820235 | 12.810 | 2820267CD | 14.801 | 2820361CE | 14.640 |
| 2820033CJ | 14.800 | 2820174BA | 14.880 | 2820236BA | 14.880 | 2820267CG | 14.801 | 2820361CG | 14.640 |
| 2820034BA | 14.800 | 2820174CA | 14.880 | 2820236CA | 14.880 | 2820267CH | 14.801 | 2820361CJ | 14.640 |
| 2820034CA | 14.800 | 2820174CB | 14.880 | 2820236CG | 14.880 | 2820267CJ | 14.801 | 2820362BA | 14.800 |
| 2820034CD | 14.800 | 2820174CD | 14.880 | 2820236CJ | 14.880 | 2820267CY | 14.801 | 2820362CA | 14.800 |
| 2820034CE | 14.800 | 2820174CE | 14.880 | 2820236CY | 14.880 | 2820267DB | 14.801 | 2820362CG | 14.800 |
| 2820034CG | 14.800 | 2820174CG | 14.880 | 2820236DB | 14.880 | 2820267DC | 14.801 | 2820362CJ | 14.800 |
| 2820034CJ | 14.800 | 2820174CJ | 14.880 | 2820236DF | 14.880 | 2820267DF | 14.801 | 2820363BA | 14.800 |
| 2820034CP | 14.800 | 2820175BA | 14.880 | 2820236DG | 14.880 | 2820267DG | 14.801 | 2820363CA | 14.800 |
| 2820035 | 3.003 | 2820175CA | 14.880 | 2820236DG | 14.880 | 2820268 | 12.810 | 2820363CD | 14.800 |
| 2820037 | 3.003 | 2820175CE | 14.880 | 2820237BA | 14.880 | 2820269 | 12.810 | 2820363CG | 14.800 |
| 2820040 | 8.820 | 2820175CG | 14.880 | 2820237CA | 14.880 | 2820271 | 4.829 | 2820363CH | 14.800 |
| 2820046 | 7.836 | 2820175CJ | 14.880 | 2820237CD | 14.880 | 2820272 | 9.658 | 2820363CJ | 14.800 |
| 2820052 | 3.003 | 2820175CN | 14.880 | 2820237CG | 14.880 | 2820275 | 3.704 | 2820364BA | 14.880 |
| 2820053 | 3.024 | 2820175CX | 14.880 | 2820237CH | 14.880 | 2820276 | 3.704 | 2820364CA | 14.880 |
| 2820055 | 3.003 | 2820176BA | 14.800 | 2820237CJ | 14.880 | 2820277 | 9.658 | 2820364CG | 14.880 |
| 2820056 | 3.024 | 2820176CA | 14.800 | 2820237CY | 14.880 | 2820281 | 2.700 | 2820364CJ | 14.880 |
| 2820057 | 3.024 | 2820176CB | 14.800 | 2820237DB | 14.880 | 2820283 | 4.038 | 2820365BA | 14.880 |
| 2820058 | 3.003 | 2820176CD | 14.800 | 2820237DC | 14.880 | 2820284 | 4.038 | 2820365CA | 14.880 |
| 2820060 | 3.001 | 2820176CE | 14.800 | 2820237DF | 14.880 | 2820285 | 4.038 | 2820365CG | 14.880 |
| 2820063 | 0.852 | 2820176CG | 14.800 | 2820237DG | 14.880 | 2820286 | 4.038 | 2820365CH | 14.880 |
| 2820066 | 0.852 | 2820176CJ | 14.800 | 2820238BA | 14.800 | 2820287 | 4.038 | 2820365CJ | 14.880 |
| 2820067 | 0.852 | 2820177BA | 14.800 | 2820238CA | 14.800 | 2820294 | 7.112 | 2820371 | 5.858 |
| 2820068 | 0.852 | 2820177CA | 14.800 | 2820238CG | 14.800 | 2820295 | 7.112 | 2820374 | 14.890 |
| 2820071 | 0.852 | 2820177CE | 14.800 | 2820238CJ | 14.800 | 2820303 | 9.779 | 2820379BA | 14.630 |
| 2820072 | 0.852 | 2820177CG | 14.800 | 2820238CY | 14.800 | 2820311 | 4.055 | 2820379CA | 14.630 |
| 2820087 | 7.118 | 2820177CJ | 14.800 | 2820238DB | 14.800 | 2820315 | 4.658 | 2820379CG | 14.630 |
| 2820095 | 1.219 | 2820177CN | 14.800 | 2820238DC | 14.800 | 2820323 | 3.705 | 2820379CJ | 14.630 |
| 2820096 | 1.219 | 2820177CX | 14.800 | 2820238DF | 14.800 | 2820326BA | 14.924 | 2820379CY | 14.630 |
| 2820097 | 1.219 | 2820182BA | 15.035 | 2820238DG | 14.800 | 2820326CA | 14.924 | 2820379DB | 14.630 |
| 2820098 | 1.219 | 2820182CA | 15.035 | 2820239BA | 14.800 | 2820326CB | 14.924 | 2820379DD | 14.630 |
| 2820099 | 1.219 | 2820182CG | 15.035 | 2820239CA | 14.800 | 2820326CD | 14.924 | 2820379DG | 14.630 |
| 2820101 | 1.219 | 2820182CJ | 15.035 | 2820239CD | 14.800 | 2820326CE | 14.924 | 2820380BA | 14.630 |

"HQ" PARTS CATALOGUE

| PART No. | GROUP | PART No. | GROUP | PART No. | GROUP | PART No. | GROUP | PART No. | GROUP |
|-----------|--------|-----------|--------|-----------|--------|-----------|--------|----------|--------|
| 2820380CA | 14.630 | 2820518BL | 15.100 | 2820524DB | 15.100 | 2820683 | 12.972 | 2820952 | 3.609 |
| 2820380CG | 14.630 | 2820518CA | 15.100 | 2820524DC | 15.100 | 2820687 | 7.345 | 2820953 | 3.609 |
| 2820380CJ | 14.630 | 2820518CB | 15.100 | 2820524DD | 15.100 | 2820688 | 7.345 | 2820991 | 3.609 |
| 2820380CY | 14.630 | 2820518CD | 15.100 | 2820524DE | 15.100 | 2820693 | 4.003 | 2820994 | 4.158 |
| 2820380DB | 14.630 | 2820518CJ | 15.100 | 2820524DF | 15.100 | 2820694 | 4.421 | 2820995 | 4.158 |
| 2820380DD | 14.630 | 2820518CK | 15.100 | 2820524DG | 15.100 | 2820696 | 4.415 | 2820996 | 6.020 |
| 2820380DG | 14.630 | 2820518CL | 15.100 | 2820525BA | 15.100 | 2820704 | 10.230 | 2820997 | 6.020 |
| 2820382 | 9.644 | 2820518CM | 15.100 | 2820525CA | 15.100 | 2820705 | 10.230 | 2821867 | 9.195 |
| 2820392 | 9.656 | 2820518CS | 15.100 | 2820525CB | 15.100 | 2820709 | 10.230 | 2822004 | 4.045 |
| 2820398 | 12.030 | 2820518CY | 15.100 | 2820525CD | 15.100 | 2820710 | 10.230 | 2822012 | 3.710 |
| 2820411 | 12.030 | 2820518DA | 15.100 | 2820525CE | 15.100 | 2820727 | 4.931 | 2822013 | 3.710 |
| 2820420 | 7.503 | 2820518DB | 15.100 | 2820525CG | 15.100 | 2820736 | 12.982 | 2822032 | 3.158 |
| 2820421 | 7.503 | 2820518DD | 15.100 | 2820525CJ | 15.100 | 2820741 | 11.374 | 2822055 | 9.171 |
| 2820426 | 7.535 | 2820518DG | 15.100 | 2820525CY | 15.100 | 2820743 | 4.265 | 2822065 | 4.177 |
| 2820429 | 2.725 | 2820518DJ | 15.100 | 2820525DA | 15.100 | 2820777 | 4.265 | 2822078 | 6.896 |
| 2820433 | 14.641 | 2820518DK | 15.100 | 2820525DB | 15.100 | 2820778 | 4.265 | 2822091 | 4.040 |
| 2820443BA | 14.803 | 2820518DM | 15.100 | 2820525DC | 15.100 | 2820779 | 4.265 | 2822093 | 4.041 |
| 2820443CA | 14.803 | 2820519 | 3.028 | 2820525DD | 15.100 | 2820780 | 4.265 | 2822116 | 2.810 |
| 2820443CB | 14.803 | 2820520BA | 14.640 | 2820525DE | 15.100 | 2820814 | 9.262 | 2822140 | 13.090 |
| 2820443CD | 14.803 | 2820520CA | 14.640 | 2820525DF | 15.100 | 2820815 | 3.265 | 2822149 | 3.158 |
| 2820443CE | 14.803 | 2820520CB | 14.640 | 2820525DG | 15.100 | 2820816 | 1.251 | 2822150 | 0.852 |
| 2820443CG | 14.803 | 2820520CD | 14.640 | 2820526 | 2.251 | 2820823 | 10.187 | 2822162 | 2.341 |
| 2820443CJ | 14.803 | 2820520CE | 14.640 | 2820527 | 3.705 | 2820830 | 3.260 | 2822163 | 4.006 |
| 2820443CY | 14.803 | 2820520CG | 14.640 | 2820528 | 4.433 | 2820848 | 9.220 | 2822177 | 12.112 |
| 2820443DA | 14.803 | 2820520CJ | 14.640 | 2820530 | 5.110 | 2820857 | 4.256 | 2822199 | 9.660 |
| 2820443DB | 14.803 | 2820520DA | 14.640 | 2820531 | 5.110 | 2820868 | 4.265 | 2822201 | 0.795 |
| 2820443DC | 14.803 | 2820520DB | 14.640 | 2820549 | 2.342 | 2820870 | 9.262 | 282224BA | 14.640 |
| 2820443DE | 14.803 | 2820520DC | 14.640 | 2820554BA | 14.805 | 2820888 | 4.233 | 282224CA | 14.640 |
| 2820443DF | 14.803 | 2820520DE | 14.640 | 2820554CA | 14.805 | 2820889 | 4.265 | 282224CB | 14.640 |
| 2820443DG | 14.803 | 2820520DF | 14.640 | 2820554CD | 14.805 | 2820892 | 9.779 | 282224CD | 14.640 |
| 2820455 | 3.705 | 2820520DG | 14.640 | 2820554CG | 14.805 | 2820896 | 8.009 | 282224CE | 14.640 |
| 2820471 | 3.260 | 2820522BA | 15.308 | 2820554CJ | 14.805 | 2820899 | 3.701 | 282224CG | 14.640 |
| 2820472 | 3.260 | 2820522CA | 15.308 | 2820575 | 11.374 | 2820903 | 7.523 | 282224CJ | 14.640 |
| 2820473 | 3.260 | 2820522CB | 15.308 | 2820582 | 3.265 | 2820904 | 7.529 | 282224DA | 14.640 |
| 2820477 | 9.779 | 2820522CD | 15.308 | 2820583 | 14.805 | 2820909BA | 14.800 | 282224DB | 14.640 |
| 2820478 | 3.609 | 2820522CE | 15.308 | 2820584 | 14.805 | 2820909BK | 14.800 | 282224DC | 14.640 |
| 2820480 | 1.064 | 2820522CH | 15.308 | 2820592 | 2.515 | 2820909BL | 14.800 | 282224DE | 14.640 |
| 2820482 | 3.609 | 2820522CJ | 15.308 | 2820609BA | 15.024 | 2820909CK | 14.800 | 282224DF | 14.640 |
| 2820504 | 2.270 | 2820522CY | 15.308 | 2820609BK | 15.024 | 2820909CL | 14.800 | 282224DG | 14.640 |
| 2820505 | 2.270 | 2820522DA | 15.308 | 2820609BL | 15.024 | 2820909CM | 14.800 | 2822252 | 11.611 |
| 2820510 | 15.222 | 2820522DB | 15.308 | 2820609CA | 15.024 | 2820909CS | 14.800 | 2822253 | 4.265 |
| 2820512 | 7.516 | 2820522DD | 15.308 | 2820609CB | 15.024 | 2820909CY | 14.800 | 2822254 | 4.265 |
| 2820513 | 9.786 | 2820522DE | 15.308 | 2820609CD | 15.024 | 2820909DJ | 14.800 | 2822256 | 9.779 |
| 2820515 | 5.387 | 2820522DG | 15.308 | 2820609CE | 15.024 | 2820909DK | 14.800 | 2822257 | 3.003 |
| 2820516 | 5.387 | 2820523BA | 15.308 | 2820609CG | 15.024 | 2820909DL | 14.800 | 2822263 | 7.241 |
| 2820517BA | 15.100 | 2820523CA | 15.308 | 2820609CJ | 15.024 | 2820909DM | 14.800 | 2822264 | 7.242 |
| 2820517BK | 15.100 | 2820523CB | 15.308 | 2820609CK | 15.024 | 2820910BA | 14.800 | 2822269 | 3.003 |
| 2820517BL | 15.100 | 2820523CD | 15.308 | 2820609CL | 15.024 | 2820910CA | 14.800 | 2822272 | 3.003 |
| 2820517CA | 15.100 | 2820523CE | 15.308 | 2820609CM | 15.024 | 2820910CB | 14.800 | 2822275 | 12.112 |
| 2820517CB | 15.100 | 2820523CH | 15.308 | 2820609CS | 15.024 | 2820910CD | 14.800 | 2822276 | 8.132 |
| 2820517CD | 15.100 | 2820523CJ | 15.308 | 2820609CY | 15.024 | 2820910CE | 14.800 | 2822280 | 14.641 |
| 2820517CJ | 15.100 | 2820523CY | 15.308 | 2820609DA | 15.024 | 2820910CG | 14.800 | 2822281 | 15.024 |
| 2820517CK | 15.100 | 2820523DA | 15.308 | 2820609DB | 15.024 | 2820910CJ | 14.800 | 2822287 | 15.292 |
| 2820517CL | 15.100 | 2820523DB | 15.308 | 2820609DC | 15.024 | 2820910CY | 14.800 | 2822300 | 3.003 |
| 2820517CM | 15.100 | 2820523DD | 15.308 | 2820609DE | 15.024 | 2820910DA | 14.800 | 2822303 | 6.758 |
| 2820517CS | 15.100 | 2820523DE | 15.308 | 2820609DF | 15.024 | 2820910DB | 14.800 | 2822307 | 12.112 |
| 2820517CY | 15.100 | 2820523DG | 15.308 | 2820609DG | 15.024 | 2820910DC | 14.800 | 2822308 | 12.112 |
| 2820517DA | 15.100 | 2820524BA | 15.100 | 2820609DJ | 15.024 | 2820910DE | 14.800 | 2822309 | 12.114 |
| 2820517DB | 15.100 | 2820524CA | 15.100 | 2820609DK | 15.024 | 2820910DF | 14.800 | 2822310 | 12.114 |
| 2820517DD | 15.100 | 2820524CB | 15.100 | 2820609DL | 15.024 | 2820910DG | 14.800 | 2822311 | 12.116 |
| 2820517DG | 15.100 | 2820524CD | 15.100 | 2820609DM | 15.024 | 2820914 | 4.265 | 2822312 | 12.116 |
| 2820517DJ | 15.100 | 2820524CE | 15.100 | 2820670 | 7.345 | 2820915 | 4.265 | 2822313 | 8.132 |
| 2820517DK | 15.100 | 2820524CG | 15.100 | 2820671 | 7.345 | 2820916 | 4.265 | 2822314 | 8.132 |
| 2820517DM | 15.100 | 2820524CJ | 15.100 | 2820677 | 8.158 | 2820917 | 4.265 | 2822317 | 12.112 |
| 2820518BA | 15.100 | 2820524CY | 15.100 | 2820681 | 4.163 | 2820918 | 4.265 | 2822318 | 9.779 |
| 2820518BK | 15.100 | 2820524DA | 15.100 | 2820682 | 4.030 | 2820930 | 0.423 | 2822327 | 11.373 |

NUMERICAL INDEX

"HQ" PARTS CATALOGUE

| PART No. | GROUP | PART No. | GROUP | PART No. | GROUP | PART No. | GROUP | PART No. | GROUP |
|-----------|--------|-----------|--------|-----------|--------|-----------|--------|-----------|--------|
| 2822328 | 11.373 | 2822498 | 10.681 | 2822625 | 9.220 | 2822790 | 3.001 | 2823076CJ | 15.520 |
| 2822329 | 9.159 | 2822499 | 8.055 | 2822626 | 9.281 | 2822791 | 3.001 | 2823076DA | 15.520 |
| 2822330 | 8.159 | 2822500 | 10.741 | 2822627 | 9.281 | 2822798 | 2.270 | 2823076DB | 15.520 |
| 2822331 | 12.196 | 2822501 | 10.741 | 2822642 | 15.025 | 2822828 | 11.373 | 2823076DC | 15.520 |
| 2822332 | 12.196 | 2822502 | 10.741 | 2822644BA | 15.306 | 2822830 | 2.515 | 2823076DG | 15.520 |
| 2822338 | 10.702 | 2822503 | 10.741 | 2822644CA | 15.306 | 2822856 | 9.668 | 2823082 | 5.855 |
| 2822340 | 7.632 | 2822504 | 10.741 | 2822644CB | 15.306 | 2822857 | 9.668 | 2823091 | 2.895 |
| 2822342 | 12.112 | 2822505 | 10.741 | 2822644CD | 15.306 | 2822858 | 9.668 | 2823098 | 5.871 |
| 2822343 | 12.114 | 2822508 | 2.342 | 2822644CE | 15.306 | 2822867 | 4.040 | 2823099 | 2.824 |
| 2822348 | 3.001 | 2822510 | 0.830 | 2822644CJ | 15.306 | 2822868 | 4.040 | 2823100BA | 14.796 |
| 2822349 | 3.001 | 2822513 | 10.827 | 2822644DA | 15.306 | 2822869 | 4.040 | 2823100CA | 14.796 |
| 2822350 | 3.001 | 2822514 | 10.827 | 2822644DB | 15.306 | 2822870 | 4.040 | 2823100CB | 14.796 |
| 2822351BA | 15.025 | 2822515 | 10.827 | 2822644DD | 15.306 | 2822871 | 4.040 | 2823100CD | 14.796 |
| 2822351CA | 15.025 | 2822516 | 10.827 | 2822644DE | 15.306 | 2822872 | 4.040 | 2823100CE | 14.796 |
| 2822351CB | 15.025 | 2822517 | 10.827 | 2822644DG | 15.306 | 2822873 | 4.040 | 2823100CG | 14.796 |
| 2822351CD | 15.025 | 2822518 | 10.827 | 2822647 | 7.503 | 2822874 | 4.040 | 2823100CJ | 14.796 |
| 2822351CE | 15.025 | 2822519 | 11.204 | 2822648 | 7.503 | 2822885 | 6.605 | 2823100CY | 14.796 |
| 2822351CG | 15.025 | 2822520 | 11.204 | 2822657 | 2.515 | 2822896 | 10.185 | 2823100DA | 14.796 |
| 2822351CJ | 15.025 | 2822521 | 11.204 | 2822658 | 2.515 | 2822909 | 8.821 | 2823100DB | 14.796 |
| 2822351CY | 15.025 | 2822522 | 11.011 | 2822664 | 2.515 | 2822913 | 8.130 | 2823100DC | 14.796 |
| 2822351DA | 15.025 | 2822523 | 11.011 | 2822665 | 2.515 | 2822914 | 8.130 | 2823100DE | 14.796 |
| 2822351DB | 15.025 | 2822524 | 11.011 | 2822668 | 8.013 | 2822916 | 4.680 | 2823100DG | 14.796 |
| 2822351DC | 15.025 | 2822525 | 11.011 | 2822671BA | 14.880 | 2822917 | 4.008 | 2823127 | 6.508 |
| 2822351DE | 15.025 | 2822526 | 11.204 | 2822671CA | 14.880 | 2822918 | 7.503 | 2823128 | 6.508 |
| 2822351DF | 15.025 | 2822527 | 11.204 | 2822671CG | 14.880 | 2822919 | 7.503 | 2823129 | 4.685 |
| 2822351DG | 15.025 | 2822545 | 8.132 | 2822671CH | 14.880 | 2822920 | 9.616 | 2823133 | 6.508 |
| 2822353 | 9.865 | 2822563 | 4.902 | 2822671CJ | 14.880 | 2822921 | 9.616 | 2823151 | 8.132 |
| 2822464BA | 15.306 | 2822564 | 15.292 | 2822672BA | 14.800 | 2822923 | 2.520 | 2823152 | 8.132 |
| 2822464CA | 15.306 | 2822587 | 14.802 | 2822672CA | 14.800 | 2822924 | 4.591 | 2823153 | 8.132 |
| 2822464CB | 15.306 | 2822588 | 14.802 | 2822672CG | 14.800 | 2822927 | 8.821 | 2823154 | 8.132 |
| 2822464CD | 15.306 | 2822598 | 6.361 | 2822672CH | 14.800 | 2822933 | 4.103 | 2823165 | 4.265 |
| 2822464CE | 15.306 | 2822599 | 6.361 | 2822672CJ | 14.800 | 2822944 | 4.196 | 2823171BA | 14.800 |
| 2822464CH | 15.306 | 2822600 | 6.361 | 2822679 | 9.220 | 2822947 | 3.260 | 2823171CA | 14.800 |
| 2822464CJ | 15.306 | 2822601 | 6.361 | 2822693BA | 14.640 | 2822948 | 3.260 | 2823171CB | 14.800 |
| 2822464DA | 15.306 | 2822602BA | 15.040 | 2822693CA | 14.640 | 2822959 | 12.116 | 2823171CD | 14.800 |
| 2822464DB | 15.306 | 2822602CA | 15.040 | 2822693CB | 14.640 | 2822960 | 12.116 | 2823171CE | 14.800 |
| 2822464DD | 15.306 | 2822602CB | 15.040 | 2822693CD | 14.640 | 2822961 | 12.116 | 2823171CG | 14.800 |
| 2822464DE | 15.306 | 2822602CD | 15.040 | 2822693CG | 14.640 | 2822962 | 12.116 | 2823171CJ | 14.800 |
| 2822464DG | 15.306 | 2822602CE | 15.040 | 2822693CJ | 14.640 | 2822980 | 12.116 | 2823171CY | 14.800 |
| 2822465BA | 15.306 | 2822602CJ | 15.040 | 2822693DA | 14.640 | 2822981 | 12.116 | 2823171DA | 14.800 |
| 2822465CA | 15.306 | 2822602DD | 15.040 | 2822693DB | 14.640 | 2822982 | 12.112 | 2823171DB | 14.800 |
| 2822465CB | 15.306 | 2822602DG | 15.040 | 2822693DC | 14.640 | 2822983 | 12.112 | 2823171DC | 14.800 |
| 2822465CD | 15.306 | 2822603BA | 15.040 | 2822693DF | 14.640 | 2822986 | 12.116 | 2823171DE | 14.800 |
| 2822465CE | 15.306 | 2822603CA | 15.040 | 2822693DG | 14.640 | 2823016 | 14.890 | 2823171DF | 14.800 |
| 2822465CH | 15.306 | 2822603CB | 15.040 | 2822695 | 14.802 | 2823017 | 14.802 | 2823171DG | 14.800 |
| 2822465CJ | 15.306 | 2822603CD | 15.040 | 2822700 | 15.306 | 2823018 | 14.802 | 2823172BA | 14.800 |
| 2822465DA | 15.306 | 2822603CE | 15.040 | 2822701 | 11.388 | 2823019 | 14.802 | 2823172CE | 14.800 |
| 2822465DB | 15.306 | 2822603CJ | 15.040 | 2822708 | 9.220 | 2823020 | 4.685 | 2823172CG | 14.800 |
| 2822465DD | 15.306 | 2822603DD | 15.040 | 2822709 | 9.220 | 2823025 | 4.685 | 2823172CN | 14.800 |
| 2822465DE | 15.306 | 2822603DG | 15.040 | 2822710 | 9.220 | 2823052 | 8.823 | 2823172CX | 14.800 |
| 2822465DG | 15.306 | 2822604BA | 15.040 | 2822711 | 9.220 | 2823053 | 8.823 | 2823172CY | 14.800 |
| 2822467 | 2.188 | 2822604CA | 15.040 | 2822712 | 8.171 | 2823058 | 3.003 | 2823172CZ | 14.800 |
| 2822476 | 3.609 | 2822604CB | 15.040 | 2822721 | 12.582 | 2823059 | 9.624 | 2823172DB | 14.800 |
| 2822477 | 3.609 | 2822604CD | 15.040 | 2822733C | 9.684 | 2823060 | 9.624 | 2823172DE | 14.800 |
| 2822480 | 4.680 | 2822604CE | 15.040 | 2822733TN | 9.684 | 2823064 | 6.518 | 2823172DF | 14.800 |
| 2822483 | 4.685 | 2822604CJ | 15.040 | 2822734C | 9.684 | 2823067 | 2.555 | 2823172DG | 14.800 |
| 2822484 | 4.685 | 2822604DD | 15.040 | 2822734TN | 9.684 | 2823068 | 2.555 | 2823175BA | 14.800 |
| 2822485 | 8.800 | 2822604DG | 15.040 | 2822736 | 14.802 | 2823069 | 2.555 | 2823175CA | 14.800 |
| 2822487 | 14.890 | 2822612 | 14.802 | 2822755 | 8.823 | 2823070 | 2.555 | 2823175CB | 14.800 |
| 2822488 | 3.003 | 2822613 | 4.045 | 2822768 | 4.902 | 2823071 | 2.555 | 2823175CD | 14.800 |
| 2822489 | 3.003 | 2822614 | 2.819 | 2822771 | 9.662 | 2823076BA | 15.520 | 2823175CE | 14.800 |
| 2822490 | 3.003 | 2822620 | 9.275 | 2822772 | 9.662 | 2823076BK | 15.520 | 2823175CG | 14.800 |
| 2822491 | 3.003 | 2822621 | 9.220 | 2822776 | 14.890 | 2823076BL | 15.520 | 2823175CJ | 14.800 |
| 2822495 | 10.681 | 2822622 | 9.220 | 2822783 | 3.001 | 2823076CA | 15.520 | 2823176BA | 14.800 |
| 2822496 | 10.681 | 2822623 | 9.220 | 2822784 | 3.001 | 2823076CB | 15.520 | 2823176CA | 14.800 |
| 2822497 | 10.681 | 2822624 | 9.220 | 2822789 | 3.001 | 2823076CD | 15.520 | 2823176CE | 14.800 |

"HQ" PARTS CATALOGUE

| PART No. | GROUP | PART No. | GROUP | PART No. | GROUP | PART No. | GROUP | PART No. | GROUP |
|-----------|--------|-----------|--------|-----------|--------|-----------|--------|-----------|--------|
| 2823176CG | 14.800 | 2823216CG | 10.203 | 2823579DB | 15.520 | 2824076 | 2.555 | 2824950 | 9.778 |
| 2823176CJ | 14.800 | 2823216CJ | 10.203 | 2823579DC | 15.520 | 2824144 | 4.829 | 2824959 | 9.662 |
| 2823176CN | 14.800 | 2823216DA | 10.203 | 2823579DE | 15.520 | 2824148 | 2.555 | 2824999 | 3.003 |
| 2823176CX | 14.800 | 2823216DB | 10.203 | 2823579DF | 15.520 | 2824202 | 9.779 | 2825019 | 2.274 |
| 2823181BA | 14.800 | 2823216DC | 10.203 | 2823579DG | 15.520 | 2824245 | 10.569 | 2825061 | 2.727 |
| 2823181CA | 14.800 | 2823216DE | 10.203 | 2823586 | 3.710 | 2824255 | 2.585 | 2825064 | 2.274 |
| 2823181CB | 14.800 | 2823216DF | 10.203 | 2823587 | 3.710 | 2824303 | 4.279 | 2825077 | 7.020 |
| 2823181CD | 14.800 | 2823216DG | 10.203 | 2823588 | 3.710 | 2824307 | 6.895 | 2825087 | 12.810 |
| 2823181CE | 14.800 | 2823219 | 9.709 | 2823589 | 4.265 | 2824345 | 6.307 | 2825088 | 12.810 |
| 2823181CG | 14.800 | 2823220 | 10.270 | 2823590 | 4.265 | 2824362 | 4.649 | 2825089 | 12.810 |
| 2823181CJ | 14.800 | 2823265 | 8.800 | 2823592 | 1.270 | 2824384 | 9.644 | 2825090 | 10.563 |
| 2823182BA | 14.800 | 2823266 | 8.800 | 28235981 | 10.222 | 2824391 | 2.728 | 2825091 | 4.279 |
| 2823182CA | 14.800 | 2823270 | 9.680 | 28235991 | 10.222 | 2824430 | 11.420 | 2825097 | 14.655 |
| 2823182CE | 14.800 | 2823271 | 10.185 | 2823630 | 3.003 | 2824431 | 14.890 | 2825098 | 9.680 |
| 2823182CG | 14.800 | 2823272 | 9.680 | 2823635 | 9.171 | 2824451 | 4.265 | 2825099 | 9.680 |
| 2823182CN | 14.800 | 2823273 | 9.680 | 2823649 | 5.858 | 2824453 | 4.265 | 2825121 | 11.373 |
| 2823182CX | 14.800 | 2823275 | 9.680 | 2823652 | 5.803 | 2824463 | 3.705 | 2825122 | 11.373 |
| 2823182CZ | 14.800 | 2823276 | 9.680 | 2823653 | 7.503 | 2824464 | 3.705 | 2825129BA | 14.803 |
| 2823186 | 14.805 | 2823277 | 9.680 | 2823654 | 3.402 | 2824478 | 10.263 | 2825129CA | 14.803 |
| 2823196 | 12.803 | 2823278 | 9.680 | 2823655 | 3.402 | 2824553 | 1.069 | 2825129CD | 14.803 |
| 2823197 | 12.803 | 2823279 | 9.680 | 2823658 | 3.402 | 2824586 | 11.389 | 2825129CG | 14.803 |
| 2823206 | 2.515 | 2823280 | 9.680 | 2823661 | 2.727 | 2824609 | 4.015 | 2825129CJ | 14.803 |
| 2823213BA | 10.203 | 2823360 | 7.524 | 2823664 | 7.016 | 2824613 | 12.243 | 2825129CY | 14.803 |
| 2823213CA | 10.203 | 2823365 | 11.374 | 2823665 | 7.016 | 2824649 | 6.758 | 2825129DB | 14.803 |
| 2823213CB | 10.203 | 2823366BA | 15.040 | 2823666 | 7.016 | 2824700 | 4.685 | 2825129DC | 14.803 |
| 2823213CD | 10.203 | 2823366CA | 15.040 | 2823668 | 2.589 | 2824706 | 7.518 | 2825129DF | 14.803 |
| 2823213CE | 10.203 | 2823366CB | 15.040 | 2823669 | 2.585 | 2824718 | 6.524 | 2825129DG | 14.803 |
| 2823213CG | 10.203 | 2823366CD | 15.040 | 2823671 | 14.802 | 2824720 | 6.307 | 2825130BA | 14.803 |
| 2823213CJ | 10.203 | 2823366CE | 15.040 | 2823672 | 14.802 | 2824731 | 7.347 | 2825130CA | 14.803 |
| 2823213DA | 10.203 | 2823366CJ | 15.040 | 2823679 | 1.265 | 2824740 | 7.503 | 2825130CB | 14.803 |
| 2823213DB | 10.203 | 2823366DD | 15.040 | 2823680 | 1.265 | 2824741 | 7.503 | 2825130CD | 14.803 |
| 2823213DC | 10.203 | 2823366DG | 15.040 | 2823681 | 1.265 | 2824742 | 7.345 | 2825130CE | 14.803 |
| 2823213DE | 10.203 | 2823374 | 7.632 | 2823682 | 1.265 | 2824743 | 7.345 | 2825130CG | 14.803 |
| 2823213DF | 10.203 | 2823382 | 11.390 | 2823683 | 1.265 | 2824748 | 4.685 | 2825130CJ | 14.803 |
| 2823213DG | 10.203 | 2823393 | 3.710 | 2823684 | 1.265 | 2824749 | 4.685 | 2825130CY | 14.803 |
| 2823214BA | 10.203 | 2823408 | 9.680 | 2823750 | 9.276 | 2824750 | 4.685 | 2825130DA | 14.803 |
| 2823214CA | 10.203 | 2823409 | 11.925 | 2823784 | 0.852 | 2824751 | 4.685 | 2825130DB | 14.803 |
| 2823214CB | 10.203 | 2823410 | 11.925 | 2823785 | 0.924 | 2824768 | 7.518 | 2825130DC | 14.803 |
| 2823214CD | 10.203 | 2823413 | 4.625 | 2823786 | 0.852 | 2824769 | 7.518 | 2825130DE | 14.803 |
| 2823214CE | 10.203 | 2823422 | 2.585 | 2823803 | 4.651 | 2824784 | 5.803 | 2825130DF | 14.803 |
| 2823214CG | 10.203 | 2823470 | 7.016 | 2823805 | 10.694 | 2824813 | 5.387 | 2825130DG | 14.803 |
| 2823214CJ | 10.203 | 2823473 | 7.831 | 2823806 | 10.694 | 2824826BA | 14.798 | 2825167 | 7.003 |
| 2823214DA | 10.203 | 2823480 | 10.185 | 2823823 | 10.252 | 2824826CE | 14.798 | 2825168 | 7.003 |
| 2823214DB | 10.203 | 2823492 | 9.680 | 2823824 | 10.252 | 2824826CJ | 14.798 | 2825169 | 7.014 |
| 2823214DC | 10.203 | 2823493 | 10.187 | 2823825 | 10.252 | 2824826DD | 14.798 | 2825170 | 7.013 |
| 2823214DE | 10.203 | 2823494 | 10.187 | 2823839 | 1.064 | 2824826DG | 14.798 | 2825171 | 7.012 |
| 2823214DF | 10.203 | 2823499 | 8.823 | 2823840 | 1.064 | 2824827BA | 14.798 | 2825172 | 7.003 |
| 2823214DG | 10.203 | 2823509 | 1.266 | 2823841 | 1.064 | 2824827CE | 14.798 | 2825173 | 7.003 |
| 2823215BA | 10.203 | 2823512 | 5.871 | 2823849 | 5.816 | 2824827CJ | 14.798 | 2825174 | 7.016 |
| 2823215CA | 10.203 | 2823546 | 7.836 | 2823850 | 0.269 | 2824827DD | 14.798 | 2825175 | 7.016 |
| 2823215CB | 10.203 | 2823547 | 7.836 | 2823851 | 0.269 | 2824827DG | 14.798 | 2825178 | 8.820 |
| 2823215CD | 10.203 | 2823548 | 7.836 | 2823852 | 2.596 | 2824828BA | 14.798 | 2825179 | 8.820 |
| 2823215CE | 10.203 | 2823549 | 7.836 | 2823853 | 2.596 | 2824828CE | 14.798 | 2825180 | 8.820 |
| 2823215CG | 10.203 | 2823557 | 2.585 | 2823854 | 2.555 | 2824828CJ | 14.798 | 2825184 | 4.265 |
| 2823215CJ | 10.203 | 2823558 | 2.585 | 2823884 | 9.680 | 2824828DD | 14.798 | 2825243BA | 15.040 |
| 2823215DA | 10.203 | 2823559 | 1.266 | 2823933 | 9.644 | 2824828DG | 14.798 | 2825243CE | 15.040 |
| 2823215DB | 10.203 | 2823566 | 7.003 | 2823950 | 5.812 | 2824851 | 9.262 | 2825243CJ | 15.040 |
| 2823215DC | 10.203 | 2823571 | 9.672 | 2823972 | 9.662 | 2824871 | 9.684 | 2825243DD | 15.040 |
| 2823215DE | 10.203 | 2823579BA | 15.520 | 2823973 | 9.262 | 2824872 | 9.684 | 2825243DG | 15.040 |
| 2823215DF | 10.203 | 2823579CA | 15.520 | 2823981 | 1.108 | 2824873 | 9.684 | 2825248 | 7.529 |
| 2823215DG | 10.203 | 2823579CB | 15.520 | 2823988 | 1.069 | 2824884 | 9.644 | 2825250 | 5.103 |
| 2823216BA | 10.203 | 2823579CD | 15.520 | 2823991 | 1.270 | 2824885 | 11.925 | 2825251 | 5.103 |
| 2823216CA | 10.203 | 2823579CE | 15.520 | 2824002 | 6.861 | 2824886 | 9.644 | 2825255 | 11.950 |
| 2823216CB | 10.203 | 2823579CG | 15.520 | 2824011 | 9.644 | 2824890 | 11.204 | 2825256 | 11.950 |
| 2823216CD | 10.203 | 2823579CJ | 15.520 | 2824013 | 9.644 | 2824896 | 15.294 | 2825257 | 11.925 |
| 2823216CE | 10.203 | 2823579DA | 15.520 | 2824038 | 3.110 | 2824949 | 9.778 | 2825271 | 3.731 |

NUMERICAL INDEX

"HQ" PARTS CATALOGUE

| PART No. | GROUP | PART No. | GROUP | PART No. | GROUP | PART No. | GROUP | PART No. | GROUP |
|-----------|--------|-----------|--------|-----------|--------|----------|--------|----------|-------|
| 2825280 | 7.345 | 2825469DF | 15.000 | 2829982CE | 14.762 | 2965073 | 9.276 | 3733134 | 3.275 |
| 2825287 | 1.265 | 2825469DG | 15.000 | 2829982CG | 14.762 | 2965736 | 2.251 | 3733289 | 2.041 |
| 2825288 | 1.265 | 2825469DH | 15.000 | 2829982CJ | 14.762 | 2965987 | 2.258 | 3734594 | 0.293 |
| 2825289 | 1.265 | 2825485 | 0.886 | 2829982DA | 14.762 | 2971627 | 12.277 | 3736035 | 3.275 |
| 2825290 | 1.265 | 2825518 | 4.006 | 2829982DB | 14.762 | 2973172 | 10.777 | 3739422 | 0.659 |
| 2825291 | 1.265 | 2825519 | 4.006 | 2829982DC | 14.762 | 2973345 | 13.092 | 3744340 | 0.429 |
| 2825292 | 1.265 | 2825526 | 9.644 | 2829982DE | 14.762 | 2973407 | 2.555 | 3744341 | 0.429 |
| 2825293 | 2.728 | 2825528 | 4.009 | 2829982DF | 14.762 | 2973431 | 2.697 | 3744408 | 2.251 |
| 2825321 | 2.239 | 2825536 | 8.154 | 2829982DG | 14.762 | 2973603 | 13.090 | 3748710 | 9.281 |
| 2825322 | 2.239 | 2825541 | 5.855 | 2829993BA | 14.880 | 2973999 | 2.258 | 3748781 | 3.609 |
| 2825324 | 2.270 | 2825542 | 5.420 | 2829993CA | 14.880 | 2977253 | 9.778 | 3749019 | 9.281 |
| 2825325 | 3.701 | 2825573 | 12.972 | 2829993CG | 14.880 | 2977417 | 2.251 | 3749084 | 0.852 |
| 2825400 | 11.373 | 2825620 | 2.555 | 2829993CJ | 14.880 | 2977470 | 10.777 | 3749086 | 1.246 |
| 2825457BA | 14.800 | 2825622 | 3.705 | 2829993CY | 14.880 | 2977555 | 2.251 | 3750685 | 3.163 |
| 2825457CA | 14.800 | 2825629 | 3.201 | 2829993DB | 14.880 | 2977673 | 12.277 | 3752487 | 0.649 |
| 2825457CE | 14.800 | 2825630 | 3.159 | 2829993DC | 14.880 | 2977763 | 4.055 | 3752901 | 5.545 |
| 2825457CG | 14.800 | 2825631 | 3.201 | 2829993DF | 14.880 | 2979302 | 2.239 | 3754153 | 3.275 |
| 2825457CJ | 14.800 | 2825634 | 7.535 | 2829993DG | 14.880 | 2979565 | 2.239 | 3754587 | 1.079 |
| 2825457CN | 14.800 | 2825635 | 5.395 | 2829994BA | 14.880 | 2984164 | 2.555 | 3754942 | 1.656 |
| 2825457CX | 14.800 | 2825652 | 5.395 | 2829994CA | 14.880 | 2984169 | 2.555 | 3756933 | 1.123 |
| 2825457CY | 14.800 | 2825687 | 6.670 | 2829994CD | 14.880 | 2984528 | 9.778 | 3760425 | 3.275 |
| 2825457DB | 14.800 | 2825688 | 6.670 | 2829994CG | 14.880 | 3004686 | 9.779 | 3760426 | 3.275 |
| 2825457DC | 14.800 | 2825700 | 8.154 | 2829994CH | 14.880 | 3011293 | 9.779 | 3760716 | 9.281 |
| 2825457DE | 14.800 | 2825709 | 3.787 | 2829994CJ | 14.880 | 3015545 | 9.215 | 3764554 | 1.639 |
| 2825457DF | 14.800 | 2825748 | 6.361 | 2829994CY | 14.880 | 3016305 | 9.211 | 3767468 | 0.293 |
| 2825457DG | 14.800 | 2825749 | 6.361 | 2829994DB | 14.880 | 3017086 | 9.213 | 3770112 | 4.830 |
| 2825457DH | 14.800 | 2825750 | 6.361 | 2829994DC | 14.880 | 3027062 | 9.215 | 3770509 | 6.655 |
| 2825460BA | 14.800 | 2825751 | 7.503 | 2829994DF | 14.880 | 3027134 | 9.215 | 3770598 | 2.414 |
| 2825460CA | 14.800 | 2825752 | 7.503 | 2829994DG | 14.880 | 3027868 | 1.246 | 3773017 | 4.311 |
| 2825460CE | 14.800 | 2825753 | 7.503 | 2829995BA | 14.880 | 3140600 | 9.220 | 3774909 | 4.432 |
| 2825460CG | 14.800 | 2825811 | 12.030 | 2829995CA | 14.880 | 3140852 | 9.220 | 3774937 | 3.107 |
| 2825460CJ | 14.800 | 2825827 | 12.030 | 2829995CG | 14.880 | 3147463 | 9.213 | 3775061 | 4.428 |
| 2825460CN | 14.800 | 2825885 | 11.373 | 2829995CJ | 14.880 | 3150822 | 9.262 | 3775063 | 4.423 |
| 2825460CX | 14.800 | 2825904 | 5.813 | 2829995CY | 14.880 | 3155342 | 9.195 | 3775089 | 4.382 |
| 2825463BA | 14.800 | 2825988 | 4.430 | 2829995DB | 14.880 | 3426512 | 2.555 | 3776391 | 3.275 |
| 2825463CA | 14.800 | 2829795 | 4.103 | 2829995DC | 14.880 | 3426513 | 2.555 | 3784609 | 4.226 |
| 2825463CE | 14.800 | 2829819 | 2.515 | 2829995DF | 14.880 | 3428703 | 11.204 | 3784834 | 0.626 |
| 2825463CG | 14.800 | 2829826 | 5.382 | 2829995DG | 14.880 | 3696990 | 3.611 | 3785770 | 2.424 |
| 2825463CN | 14.800 | 2829897 | 14.802 | 2829996BA | 14.880 | 3697750 | 12.116 | 3786275 | 3.163 |
| 2825463CX | 14.800 | 2829910 | 15.293 | 2829996CA | 14.880 | 3701638 | 1.928 | 3786276 | 3.163 |
| 2825463CZ | 14.800 | 2829913 | 11.610 | 2829996CD | 14.880 | 3701777 | 1.154 | 3786494 | 4.045 |
| 2825466BA | 15.000 | 2829914 | 11.611 | 2829996CG | 14.880 | 3702366 | 1.609 | 3787240 | 4.103 |
| 2825466CA | 15.000 | 2829915 | 11.611 | 2829996CH | 14.880 | 3704158 | 0.553 | 3788444 | 1.429 |
| 2825466CE | 15.000 | 2829916 | 11.611 | 2829996CJ | 14.880 | 3704796 | 0.293 | 3789860 | 0.033 |
| 2825466CG | 15.000 | 2829917 | 11.611 | 2829996CY | 14.880 | 3704817 | 3.935 | 3789898 | 3.273 |
| 2825466CJ | 15.000 | 2829925 | 6.326 | 2829996DB | 14.880 | 3705044 | 3.932 | 3790864 | 1.658 |
| 2825466CN | 15.000 | 2829928 | 11.373 | 2829996DC | 14.880 | 3706737 | 9.189 | 3792316 | 9.196 |
| 2825466CX | 15.000 | 2829973 | 11.611 | 2829996DF | 14.880 | 3707189 | 4.412 | 3792623 | 0.426 |
| 2825466CY | 15.000 | 2829974 | 11.610 | 2829996DG | 14.880 | 3708146 | 4.338 | 3798256 | 0.831 |
| 2825466DB | 15.000 | 2829981BA | 14.762 | 2829997 | 14.802 | 3708148 | 4.337 | 3799438 | 0.643 |
| 2825466DC | 15.000 | 2829981CA | 14.762 | 2830050 | 4.376 | 3708408 | 3.403 | 3799448 | 0.643 |
| 2825466DE | 15.000 | 2829981CB | 14.762 | 2962066 | 11.960 | 3710497 | 4.128 | 3799458 | 0.643 |
| 2825466DF | 15.000 | 2829981CD | 14.762 | 2962243 | 4.055 | 3711176 | 0.309 | 3799620 | 0.207 |
| 2825466DG | 15.000 | 2829981CE | 14.762 | 2962447 | 10.270 | 3712745 | 0.683 | 3799830 | 4.156 |
| 2825466DH | 15.000 | 2829981CG | 14.762 | 2962448 | 2.555 | 3713379 | 0.027 | 3805921 | 4.256 |
| 2825469BA | 15.000 | 2829981CJ | 14.762 | 2962449 | 2.555 | 3714792 | 5.545 | 3814026 | 3.603 |
| 2825469CA | 15.000 | 2829981DA | 14.762 | 2962551 | 2.520 | 3717682 | 4.317 | 3814692 | 0.429 |
| 2825469CE | 15.000 | 2829981DB | 14.762 | 2962674 | 2.258 | 3719206 | 3.900 | 3814903 | 1.610 |
| 2825469CG | 15.000 | 2829981DC | 14.762 | 2962679 | 2.555 | 3719599 | 3.900 | 3815892 | 0.429 |
| 2825469CJ | 15.000 | 2829981DE | 14.762 | 2962910 | 2.555 | 3723584 | 0.539 | 3815936 | 1.803 |
| 2825469CN | 15.000 | 2829981DF | 14.762 | 2962915 | 2.555 | 3723585 | 0.543 | 3817006 | 0.206 |
| 2825469CX | 15.000 | 2829981DG | 14.762 | 2962964 | 2.555 | 3723586 | 0.544 | 3820840 | 4.104 |
| 2825469CY | 15.000 | 2829982BA | 14.762 | 2962965 | 2.555 | 3727207 | 0.669 | 3821979 | 1.652 |
| 2825469DB | 15.000 | 2829982CA | 14.762 | 2962967 | 2.555 | 3729000 | 0.796 | 3821981 | 1.723 |
| 2825469DC | 15.000 | 2829982CB | 14.762 | 2962969 | 2.555 | 3730562 | 15.282 | 3824475 | 6.655 |
| 2825469DE | 15.000 | 2829982CD | 14.762 | 2962984 | 2.596 | 3733130 | 3.275 | 3828782 | 0.683 |

| PART No. | GROUP | PART No. | GROUP | PART No. | GROUP | PART No. | GROUP | PART No. | GROUP |
|----------|--------|----------|-------|----------|--------|----------|-------|----------|--------|
| 3829058 | 1.762 | 3868810 | 0.679 | 3912039 | 0.096 | 3957998 | 0.289 | 3997416 | 0.269 |
| 3829086 | 3.275 | 3871649 | 4.317 | 3912040 | 0.096 | 3959544 | 2.040 | 3997426 | 0.033 |
| 3829139 | 4.195 | 3874878 | 0.736 | 3912041 | 0.096 | 3959558 | 6.606 | 3997466 | 0.033 |
| 3829381 | 9.220 | 3875876 | 9.220 | 3912042 | 0.096 | 3959570 | 3.288 | 3997718 | 4.128 |
| 3830089 | 1.426 | 3876870 | 1.516 | 3912195 | 4.423 | 3959576 | 3.201 | 3997796 | 9.171 |
| 3830711 | 0.289 | 3877660 | 1.153 | 3915019 | 4.358 | 3965542 | 0.386 | 3998281 | 0.666 |
| 3831705 | 4.109 | 3877669 | 0.056 | 3915020 | 4.356 | 3965589 | 2.041 | 3998287 | 1.639 |
| 3831716 | 4.309 | 3880844 | 3.275 | 3915050 | 4.384 | 3965599 | 3.787 | 3998912 | 3.726 |
| 3831717 | 4.303 | 3880850 | 4.383 | 3916163 | 3.159 | 3968034 | 4.103 | 3998938 | 3.750 |
| 3831718 | 4.311 | 3883220 | 2.424 | 3916314 | 0.413 | 3969824 | 3.750 | 4110660 | 10.466 |
| 3831741 | 4.383 | 3883264 | 1.069 | 3916396 | 0.603 | 3970072 | 1.762 | 4110664 | 10.506 |
| 3831746 | 4.395 | 3884574 | 3.726 | 3916399 | 0.623 | 3970634 | 0.010 | 4150462 | 10.466 |
| 3831747 | 4.415 | 3884576 | 3.728 | 3917663 | 2.251 | 3972180 | 0.659 | 4157887 | 10.783 |
| 3831748 | 4.418 | 3884598 | 0.861 | 3917664 | 2.251 | 3973324 | 2.424 | 4158116 | 12.207 |
| 3831749 | 4.412 | 3887023 | 3.642 | 3919807 | 2.251 | 3973366 | 2.251 | 4158117 | 12.207 |
| 3831752 | 4.317 | 3887151 | 1.429 | 3919812 | 3.403 | 3973372 | 9.171 | 4158245 | 10.783 |
| 3831755 | 4.412 | 3887152 | 1.429 | 3920775 | 4.383 | 3973388 | 2.041 | 4158246 | 10.783 |
| 3831756 | 4.412 | 3888457 | 9.180 | 3921975 | 3.410 | 3973432 | 3.601 | 4168122 | 10.513 |
| 3831757 | 4.412 | 3889480 | 9.220 | 3922831 | 10.266 | 3974290 | 0.333 | 4171918 | 10.783 |
| 3831758 | 4.412 | 3890532 | 4.419 | 3923266 | 2.251 | 3974420 | 4.133 | 4304426 | 11.581 |
| 3831761 | 4.433 | 3891794 | 9.262 | 3923524 | 4.035 | 3977618 | 4.105 | 4403686 | 8.977 |
| 3831762 | 4.430 | 3892364 | 0.643 | 3924112 | 4.380 | 3978758 | 4.337 | 4416740 | 10.266 |
| 3831764 | 4.430 | 3892365 | 0.643 | 3924113 | 4.380 | 3978759 | 4.403 | 4436814 | 11.015 |
| 3832786 | 4.303 | 3892366 | 0.643 | 3925659 | 4.103 | 3978763 | 4.317 | 4465224 | 10.571 |
| 3834739 | 4.432 | 3892678 | 1.656 | 3925692 | 4.374 | 3978765 | 4.317 | 4469196 | 10.571 |
| 3835215 | 8.800 | 3895904 | 9.281 | 3925749 | 9.220 | 3978772 | 4.351 | 4469197 | 10.571 |
| 3835333 | 0.308 | 3896929 | 0.519 | 3927791 | 1.064 | 3978781 | 4.418 | 4491086 | 11.007 |
| 3835487 | 3.275 | 3896934 | 0.309 | 3931078 | 2.424 | 3979727 | 9.275 | 4491087 | 10.685 |
| 3835946 | 0.209 | 3896959 | 0.728 | 3931449 | 3.028 | 3980267 | 0.209 | 4491088 | 10.685 |
| 3836540 | 8.800 | 3896960 | 0.736 | 3931597 | 1.429 | 3980273 | 1.516 | 4491090 | 11.007 |
| 3836710 | 3.275 | 3896961 | 0.724 | 3931599 | 1.429 | 3981058 | 1.762 | 4493796 | 12.275 |
| 3836755 | 0.308 | 3899621 | 0.683 | 3932255 | 4.317 | 3981709 | 4.003 | 4556605 | 11.374 |
| 3836903 | 0.105 | 3900407 | 2.251 | 3932368 | 1.153 | 3986191 | 6.660 | 4558184 | 14.686 |
| 3837115 | 1.610 | 3901061 | 2.188 | 3932410 | 2.317 | 3987919 | 4.337 | 4561802 | 10.712 |
| 3837324 | 9.220 | 3901062 | 2.188 | 3932432 | 9.171 | 3989030 | 0.886 | 4566746 | 10.806 |
| 3837326 | 9.220 | 3901063 | 2.188 | 3932433 | 9.171 | 3989046 | 3.750 | 4576655 | 10.506 |
| 3840818 | 9.220 | 3901064 | 2.188 | 3932444 | 0.646 | 3989055 | 3.601 | 4587931 | 10.550 |
| 3841724 | 3.275 | 3901065 | 2.188 | 3932480 | 0.056 | 3989060 | 3.750 | 4649282 | 12.237 |
| 3843359 | 0.333 | 3903539 | 8.918 | 3933964 | 0.423 | 3989067 | 3.798 | 4770719 | 10.695 |
| 3843943 | 0.679 | 3905449 | 4.133 | 3934137 | 10.266 | 3989077 | 3.201 | 4780518 | 12.248 |
| 3845648 | 6.660 | 3905462 | 4.311 | 3934260 | 8.009 | 3989084 | 0.297 | 4816670 | 10.093 |
| 3847711 | 9.180 | 3905463 | 4.421 | 3937781 | 1.050 | 3989085 | 0.296 | 4839529 | 10.559 |
| 3848255 | 6.660 | 3906448 | 4.109 | 3941102 | 6.606 | 3989305 | 1.062 | 4849850 | 9.275 |
| 3849388 | 4.418 | 3906462 | 4.109 | 3941103 | 6.606 | 3989348 | 1.745 | 4881401 | 10.203 |
| 3849848 | 1.069 | 3907088 | 5.537 | 3941107 | 6.655 | 3989350 | 1.745 | 4884405 | 10.553 |
| 3849937 | 4.356 | 3907089 | 5.537 | 3941198 | 2.040 | 3989410 | 4.010 | 4904213 | 10.784 |
| 3849938 | 4.356 | 3909982 | 3.459 | 3942672 | 9.199 | 3990941 | 0.269 | 4905337 | 12.280 |
| 3850525 | 4.156 | 3910555 | 0.616 | 3945859 | 9.220 | 3990947 | 3.265 | 4909699 | 10.784 |
| 3850581 | 9.171 | 3910556 | 0.616 | 3946828 | 3.642 | 3990994 | 0.386 | 4913821 | 12.280 |
| 3850591 | 3.028 | 3910557 | 0.616 | 3946860 | 0.388 | 3991403 | 0.666 | 4916378 | 10.784 |
| 3853759 | 5.537 | 3910558 | 0.616 | 3947701 | 0.659 | 3991408 | 0.673 | 4916380 | 10.784 |
| 3853760 | 5.537 | 3910559 | 0.616 | 3949869 | 9.220 | 3991412 | 2.424 | 4917191 | 10.784 |
| 3853761 | 5.537 | 3911007 | 0.105 | 3950312 | 4.309 | 3991433 | 0.206 | 4917375 | 12.280 |
| 3853762 | 5.537 | 3911010 | 0.153 | 3951500 | 2.277 | 3991469 | 0.666 | 4917377 | 10.784 |
| 3853912 | 5.537 | 3911011 | 0.153 | 3951576 | 1.516 | 3991488 | 0.629 | 4918916 | 10.784 |
| 3857018 | 12.966 | 3911029 | 1.762 | 3951600 | 1.516 | 3991489 | 0.629 | 4919192 | 10.784 |
| 3860343 | 4.337 | 3911068 | 0.303 | 3951644 | 1.835 | 3991491 | 0.629 | 4960538 | 9.215 |
| 3860344 | 4.337 | 3911670 | 9.180 | 3952301 | 1.835 | 3993851 | 0.797 | 5045365 | 12.280 |
| 3861040 | 7.371 | 3911900 | 4.318 | 3952651 | 4.309 | 3995602 | 0.297 | 5045585 | 10.784 |
| 3861930 | 9.180 | 3911901 | 4.318 | 3953786 | 1.066 | 3995603 | 0.297 | 5045586 | 10.784 |
| 3862776 | 9.180 | 3912030 | 0.106 | 3956664 | 0.659 | 3995604 | 0.297 | 5045593 | 10.784 |
| 3862831 | 9.220 | 3912032 | 0.106 | 3956666 | 0.659 | 3995631 | 1.062 | 5045594 | 10.784 |
| 3864850 | 4.428 | 3912033 | 0.106 | 3956686 | 0.098 | 3995678 | 3.159 | 5098080 | 10.784 |
| 3864856 | 4.423 | 3912035 | 0.106 | 3956688 | 0.095 | 3995681 | 0.296 | 5231369 | 0.459 |
| 3864860 | 4.423 | 3912036 | 0.106 | 3956690 | 0.153 | 3995682 | 0.296 | 5232450 | 0.459 |
| 3866766 | 0.626 | 3912038 | 0.096 | 3957985 | 3.270 | 3995683 | 0.296 | 5232920 | 0.459 |

"HQ" PARTS CATALOGUE

| PART No. | GROUP | PART No. | GROUP | PART No. | GROUP | PART No. | GROUP | PART No. | GROUP |
|----------|-------|----------|-------|----------|-------|----------|--------|----------|--------|
| 5257956 | 5.531 | 5258195 | 4.265 | 5258939 | 4.226 | 5689351 | 6.630 | 7005109 | 3.798 |
| 5258002 | 4.166 | 5258199 | 4.318 | 5258951 | 4.265 | 5689352 | 6.630 | 7006092 | 10.550 |
| 5258004 | 4.166 | 5258202 | 4.129 | 5258952 | 4.265 | 5689357 | 6.608 | 7011479 | 3.742 |
| 5258005 | 4.166 | 5258203 | 4.129 | 5258989 | 4.163 | 5689358 | 6.612 | 7012548 | 3.764 |
| 5258017 | 4.163 | 5258204 | 4.129 | 5258990 | 4.163 | 5689359 | 6.612 | 7014699 | 3.763 |
| 5258019 | 4.163 | 5258205 | 4.129 | 5259609 | 4.177 | 5689388 | 6.614 | 7015110 | 1.762 |
| 5258021 | 4.189 | 5258206 | 4.129 | 5259666 | 4.233 | 5689546 | 6.606 | 7020926 | 3.820 |
| 5258025 | 4.163 | 5258207 | 4.129 | 5259667 | 4.128 | 5690732 | 6.524 | 7026138 | 3.783 |
| 5258035 | 4.163 | 5258212 | 4.265 | 5289527 | 2.256 | 5690857 | 6.611 | 7026139 | 3.780 |
| 5258038 | 4.165 | 5258213 | 4.265 | 5290441 | 2.258 | 5690858 | 6.610 | 7026339 | 3.799 |
| 5258039 | 4.165 | 5258215 | 4.265 | 5297797 | 4.055 | 5690977 | 6.524 | 7027970 | 3.820 |
| 5258041 | 4.166 | 5258216 | 4.265 | 5452315 | 4.653 | 5693014 | 6.635 | 7029087 | 3.765 |
| 5258042 | 4.166 | 5258219 | 4.226 | 5452322 | 4.652 | 5693027 | 6.870 | 7029849 | 3.760 |
| 5258043 | 4.166 | 5258240 | 4.265 | 5452519 | 4.656 | 5693552 | 6.168 | 7029862 | 3.810 |
| 5258046 | 4.129 | 5258243 | 4.265 | 5452520 | 4.655 | 5694191 | 6.521 | 7029865 | 3.820 |
| 5258054 | 4.177 | 5258244 | 4.265 | 5453620 | 4.654 | 5696245 | 6.606 | 7029866 | 3.789 |
| 5258055 | 4.177 | 5258245 | 4.223 | 5454797 | 5.158 | 5697702 | 6.861 | 7029868 | 3.798 |
| 5258057 | 4.163 | 5258253 | 4.279 | 5454798 | 5.158 | 5698116 | 6.608 | 7029899 | 3.737 |
| 5258058 | 4.163 | 5258275 | 0.683 | 5455298 | 4.687 | 5699603 | 6.521 | 7029900 | 3.737 |
| 5258062 | 4.294 | 5258276 | 0.683 | 5455421 | 4.669 | 5718404 | 12.272 | 7029912 | 3.763 |
| 5258065 | 4.177 | 5258284 | 4.163 | 5455481 | 4.687 | 5887997 | 9.170 | 7029922 | 3.788 |
| 5258066 | 4.177 | 5258285 | 4.163 | 5455487 | 4.689 | 5910594 | 9.198 | 7029993 | 3.764 |
| 5258076 | 4.295 | 5258286 | 4.294 | 5460195 | 4.654 | 5910745 | 9.218 | 7030677 | 3.735 |
| 5258082 | 4.294 | 5258289 | 4.166 | 5462635 | 4.654 | 6255523 | 0.626 | 7031105 | 3.763 |
| 5258087 | 4.177 | 5258293 | 4.156 | 5462637 | 4.657 | 6255641 | 4.133 | 7031231 | 3.791 |
| 5258090 | 4.129 | 5258323 | 4.166 | 5462642 | 4.657 | 6256437 | 4.764 | 7031925 | 3.799 |
| 5258091 | 4.129 | 5258329 | 4.256 | 5463805 | 4.251 | 6256636 | 2.362 | 7031971 | 3.754 |
| 5258093 | 4.128 | 5258333 | 4.265 | 5464418 | 4.653 | 6257880 | 4.294 | 7031975 | 3.754 |
| 5258094 | 4.128 | 5258338 | 4.265 | 5464424 | 4.655 | 6258100 | 4.337 | 7031976 | 3.754 |
| 5258095 | 4.153 | 5258339 | 4.212 | 5467356 | 4.656 | 6262914 | 3.201 | 7031977 | 3.754 |
| 5258100 | 4.127 | 5258340 | 4.265 | 5574397 | 1.837 | 6262932 | 3.265 | 7032324 | 3.776 |
| 5258106 | 4.127 | 5258342 | 4.256 | 5575416 | 1.837 | 6262956 | 2.317 | 7032508 | 3.787 |
| 5258109 | 4.166 | 5258344 | 4.226 | 5592046 | 3.906 | 6263796 | 0.303 | 7033747 | 3.772 |
| 5258112 | 4.166 | 5258345 | 4.226 | 5592850 | 3.902 | 6271051 | 9.171 | 7033751 | 3.771 |
| 5258116 | 4.128 | 5258350 | 4.153 | 5592851 | 3.921 | 6272157 | 1.069 | 7034320 | 3.806 |
| 5258119 | 4.226 | 5258351 | 4.158 | 5592852 | 3.921 | 6272221 | 0.659 | 7034356 | 3.787 |
| 5258121 | 4.128 | 5258366 | 4.294 | 5593301 | 3.902 | 6273312 | 4.128 | 7034461 | 3.820 |
| 5258124 | 4.164 | 5258383 | 4.256 | 5593404 | 3.904 | 6288890 | 2.555 | 7034522 | 3.806 |
| 5258128 | 4.158 | 5258443 | 4.265 | 5593866 | 3.909 | 6288909 | 10.777 | 7034844 | 3.806 |
| 5258129 | 4.158 | 5258484 | 4.317 | 5623374 | 3.909 | 6294016 | 9.276 | 7034845 | 3.806 |
| 5258130 | 4.224 | 5258493 | 4.337 | 5650829 | 3.787 | 6294142 | 2.555 | 7034847 | 3.806 |
| 5258132 | 4.128 | 5258494 | 4.337 | 5651393 | 3.787 | 6294206 | 11.950 | 7034849 | 3.806 |
| 5258137 | 4.158 | 5258509 | 4.265 | 5651504 | 3.787 | 6294288 | 2.555 | 7034903 | 3.788 |
| 5258140 | 4.226 | 5258528 | 4.163 | 5666883 | 6.527 | 6294509 | 2.555 | 7034975 | 3.787 |
| 5258141 | 4.195 | 5258529 | 4.226 | 5666693 | 6.530 | 6294643 | 2.555 | 7035130 | 3.771 |
| 5258143 | 4.226 | 5258543 | 4.166 | 5666887 | 6.842 | 6294684 | 2.555 | 7035344 | 3.780 |
| 5258145 | 4.265 | 5258545 | 4.177 | 5666888 | 6.843 | 6413700 | 3.925 | 7035431 | 3.764 |
| 5258149 | 4.279 | 5258547 | 4.256 | 5667628 | 6.861 | 6413712 | 3.922 | 7035493 | 3.799 |
| 5258158 | 4.103 | 5258553 | 4.177 | 5671921 | 6.524 | 6413724 | 3.926 | 7035523 | 3.735 |
| 5258159 | 4.127 | 5258554 | 4.177 | 5675186 | 6.524 | 6413726 | 3.926 | 7035772 | 3.735 |
| 5258160 | 4.265 | 5258555 | 4.177 | 5679626 | 6.168 | 6414278 | 3.921 | 7035790 | 3.748 |
| 5258161 | 4.226 | 5258564 | 4.233 | 5679629 | 6.168 | 6414391 | 3.921 | 7035840 | 3.798 |
| 5258162 | 4.233 | 5258565 | 4.233 | 5686469 | 6.670 | 6415453 | 3.902 | 7036019 | 3.788 |
| 5258165 | 4.233 | 5258569 | 4.228 | 5686837 | 4.177 | 6416345 | 3.910 | 7036067 | 3.798 |
| 5258166 | 4.040 | 5258572 | 4.233 | 5687898 | 6.614 | 6416623 | 3.920 | 7036425 | 3.764 |
| 5258179 | 4.265 | 5258577 | 4.265 | 5688011 | 6.610 | 6420265 | 3.410 | 7036430 | 3.789 |
| 5258180 | 4.265 | 5258578 | 4.265 | 5688014 | 6.609 | 6421976 | 1.762 | 7036565 | 3.724 |
| 5258181 | 4.265 | 5258579 | 4.285 | 5688015 | 6.635 | 6437741 | 4.224 | 7036741 | 3.725 |
| 5258183 | 4.228 | 5258581 | 4.265 | 5688034 | 6.612 | 6440658 | 3.900 | 7036742 | 3.725 |
| 5258184 | 4.265 | 5258582 | 4.265 | 5688035 | 6.674 | 6483645 | 3.410 | 7036743 | 3.748 |
| 5258185 | 4.233 | 5258584 | 4.265 | 5688037 | 6.612 | 6484541 | 1.762 | 7036744 | 3.748 |
| 5258186 | 4.228 | 5258600 | 4.265 | 5688043 | 6.612 | 6485499 | 3.402 | 7036774 | 3.748 |
| 5258190 | 4.251 | 5258805 | 4.265 | 5688044 | 6.609 | 6485974 | 3.410 | 7037314 | 3.779 |
| 5258191 | 4.103 | 5258807 | 4.265 | 5688047 | 6.610 | 7002117 | 3.760 | 7037316 | 3.773 |
| 5258192 | 4.265 | 5258850 | 4.226 | 5688049 | 6.674 | 7002121 | 3.734 | 7037317 | 3.775 |
| 5258193 | 4.265 | 5258892 | 4.233 | 5688109 | 6.635 | 7003176 | 3.734 | 7037319 | 3.762 |

"HQ" PARTS CATALOGUE

| PART No. | GROUP | PART No. | GROUP | PART No. | GROUP | PART No. | GROUP | PART No. | GROUP |
|----------|--------|----------|--------|----------|--------|----------|--------|----------|--------|
| 7037337 | 3.778 | 7405124 | 3.791 | 7409643 | 3.521 | 7420016 | 1.724 | 7421647 | 4.030 |
| 7037501 | 3.799 | 7405125 | 3.791 | 7410046 | 4.680 | 7420017 | 1.654 | 7421648 | 5.469 |
| 7037949 | 3.763 | 7405131 | 3.757 | 7410279 | 4.035 | 7420025 | 0.728 | 7421649 | 5.545 |
| 7038167 | 3.799 | 7405133 | 3.778 | 7410794 | 5.043 | 7420026 | 0.738 | 7421650 | 5.537 |
| 7038239 | 3.799 | 7405136 | 3.784 | 7410830 | 12.972 | 7420034 | 0.519 | 7421651 | 5.545 |
| 7038396 | 3.749 | 7405138 | 3.783 | 7411267 | 12.247 | 7420066 | 1.073 | 7421664 | 5.453 |
| 7038964 | 3.763 | 7405139 | 3.787 | 7411849 | 4.662 | 7420067 | 1.108 | 7421668 | 5.545 |
| 7038967 | 3.799 | 7405140 | 3.778 | 7411921 | 5.517 | 7420068 | 1.109 | 7421671 | 5.447 |
| 7039149 | 3.725 | 7405141 | 3.778 | 7412113 | 8.798 | 7420069 | 1.079 | 7421672 | 5.447 |
| 7039188 | 3.725 | 7405143 | 3.749 | 7413031 | 13.092 | 7420070 | 1.069 | 7421673 | 5.506 |
| 7040691 | 3.778 | 7405144 | 3.756 | 7413032 | 2.555 | 7420071 | 0.296 | 7421719 | 5.504 |
| 7040955 | 3.787 | 7405145 | 3.784 | 7413223 | 10.783 | 7420072 | 0.297 | 7421765 | 3.112 |
| 7041300 | 3.725 | 7405146 | 3.757 | 7413370 | 2.555 | 7420073 | 0.303 | 7421813 | 5.505 |
| 7041612 | 3.741 | 7405147 | 3.772 | 7413400 | 5.858 | 7420086 | 0.623 | 7421853 | 1.835 |
| 7041621 | 3.741 | 7405148 | 3.765 | 7413406 | 6.311 | 7420106 | 0.056 | 7421877 | 0.449 |
| 7041851 | 3.725 | 7405153 | 3.783 | 7413409 | 6.313 | 7420114 | 0.666 | 7421890 | 12.242 |
| 7041852 | 3.725 | 7405156 | 3.775 | 7413721 | 12.242 | 7420118 | 0.669 | 7421939 | 2.414 |
| 7041853 | 3.725 | 7405158 | 3.767 | 7413722 | 12.242 | 7420124 | 0.439 | 7422035 | 1.516 |
| 7041854 | 3.725 | 7405159 | 3.784 | 7414105 | 15.036 | 7420128 | 0.679 | 7422512 | 8.800 |
| 7041855 | 3.727 | 7405160 | 3.782 | 7414198 | 3.410 | 7420137 | 0.293 | 7422731 | 5.545 |
| 7041856 | 3.727 | 7405162 | 3.787 | 7414611 | 8.304 | 7420138 | 0.269 | 7422733 | 5.546 |
| 7041857 | 3.727 | 7405163 | 3.748 | 7414620 | 2.555 | 7420151 | 3.273 | 7422734 | 5.586 |
| 7043634 | 3.735 | 7405165 | 3.729 | 7414906 | 3.275 | 7420172 | 0.296 | 7422739 | 3.410 |
| 7045823 | 3.735 | 7405166 | 3.763 | 7415042 | 9.779 | 7420173 | 0.296 | 7422779 | 2.170 |
| 7045824 | 3.735 | 7405167 | 3.763 | 7415204 | 5.387 | 7420174 | 0.296 | 7422780 | 2.170 |
| 7077093 | 2.333 | 7405168 | 3.748 | 7415519 | 9.787 | 7420175 | 0.297 | 7422907 | 2.170 |
| 7084112 | 0.852 | 7405170 | 3.775 | 7415559 | 8.085 | 7420176 | 0.297 | 7423196 | 11.634 |
| 7100321 | 11.374 | 7405171 | 3.742 | 7415654 | 4.685 | 7420177 | 0.297 | 7423203 | 7.852 |
| 7117579 | 8.991 | 7405174 | 3.741 | 7415761 | 4.662 | 7420240 | 3.763 | 7423279 | 5.529 |
| 7139364 | 2.384 | 7405562 | 2.370 | 7415943 | 3.900 | 7420244 | 3.764 | 7423284 | 1.153 |
| 7175429 | 2.555 | 7405590 | 2.083 | 7415999 | 12.186 | 7420254 | 3.797 | 7423304 | 5.188 |
| 7308858 | 9.275 | 7405604 | 2.108 | 7416237 | 2.487 | 7420311 | 0.666 | 7423305 | 3.202 |
| 7376637 | 12.186 | 7405613 | 2.372 | 7416288 | 2.705 | 7420312 | 0.669 | 7423350 | 12.182 |
| 7377884 | 14.685 | 7405614 | 2.372 | 7416898 | 10.516 | 7420335 | 3.771 | 7423454 | 2.239 |
| 7382324 | 11.015 | 7405615 | 2.372 | 7417198 | 11.634 | 7420336 | 4.205 | 7423483 | 1.453 |
| 7385696 | 7.799 | 7405633 | 2.316 | 7417270 | 12.203 | 7420345 | 0.033 | 7423613 | 1.643 |
| 7389343 | 14.890 | 7405638 | 2.410 | 7417271 | 12.203 | 7420405 | 11.204 | 7423616 | 0.536 |
| 7400144 | 8.077 | 7405645 | 2.102 | 7417272 | 12.203 | 7420412 | 3.754 | 7423694 | 1.071 |
| 7400162 | 4.352 | 7405703 | 2.280 | 7417423 | 12.212 | 7420418 | 12.237 | 7423709 | 3.003 |
| 7400181 | 4.103 | 7405705 | 2.279 | 7417478 | 2.892 | 7420419 | 12.241 | 7423817 | 2.317 |
| 7400258 | 4.317 | 7405754 | 5.019 | 7417490 | 1.611 | 7420476 | 2.333 | 7423902 | 1.762 |
| 7400279 | 5.543 | 7406004 | 0.683 | 7417580 | 12.203 | 7420483 | 3.028 | 7424068 | 6.024 |
| 7400280 | 5.542 | 7406032 | 8.798 | 7417652 | 4.045 | 7420492 | 12.237 | 7424161 | 3.028 |
| 7400370 | 3.754 | 7406323 | 2.291 | 7417686 | 4.265 | 7420598 | 11.207 | 7424162 | 3.028 |
| 7400842 | 2.555 | 7406701 | 3.771 | 7418439 | 4.035 | 7420687 | 3.901 | 7424198 | 2.824 |
| 7400948 | 4.035 | 7406742 | 2.385 | 7418449 | 2.555 | 7420688 | 3.925 | 7424218 | 3.008 |
| 7400949 | 3.430 | 7406788 | 4.931 | 7418525 | 12.972 | 7420715 | 4.666 | 7424228 | 8.085 |
| 7401111 | 1.154 | 7406835 | 2.108 | 7418544 | 4.610 | 7420762 | 5.151 | 7424249 | 8.024 |
| 7401296 | 0.033 | 7406859 | 2.100 | 7418548 | 5.387 | 7420798 | 0.649 | 7424387 | 2.670 |
| 7401304 | 0.683 | 7406900 | 2.291 | 7418624 | 12.241 | 7420831 | 12.952 | 7424398 | 12.237 |
| 7401651 | 12.277 | 7407255 | 8.821 | 7418625 | 12.241 | 7420837 | 12.184 | 7424535 | 3.724 |
| 7401662 | 2.714 | 7407400 | 5.539 | 7418802 | 4.610 | 7420847 | 2.087 | 7424550 | 3.763 |
| 7401768 | 11.374 | 7407782 | 12.241 | 7418929 | 4.610 | 7420850 | 2.306 | 7424551 | 3.780 |
| 7402029 | 0.870 | 7407811 | 11.634 | 7418993 | 10.263 | 7420853 | 2.298 | 7424554 | 3.734 |
| 7402119 | 11.634 | 7408094 | 5.460 | 7419016 | 3.003 | 7420876 | 12.203 | 7424555 | 3.779 |
| 7402384 | 12.247 | 7408095 | 5.460 | 7419064 | 1.928 | 7420877 | 12.203 | 7424567 | 3.726 |
| 7403054 | 3.430 | 7408096 | 5.460 | 7419196 | 10.556 | 7421049 | 4.081 | 7424569 | 3.754 |
| 7403387 | 3.430 | 7408097 | 5.460 | 7419355 | 12.240 | 7421070 | 2.424 | 7424575 | 3.725 |
| 7403873 | 10.556 | 7408098 | 5.460 | 7419480 | 11.629 | 7421214 | 0.836 | 7424617 | 3.731 |
| 7405107 | 3.767 | 7408099 | 5.460 | 7419513 | 0.859 | 7421381 | 10.150 | 7424618 | 3.731 |
| 7405109 | 3.751 | 7408100 | 5.460 | 7419554 | 12.491 | 7421475 | 5.504 | 7424619 | 3.731 |
| 7405112 | 3.773 | 7408627 | 12.186 | 7419667 | 3.403 | 7421634 | 5.531 | 7424631 | 2.087 |
| 7405118 | 3.789 | 7408725 | 10.506 | 7419668 | 3.403 | 7421642 | 5.536 | 7424633 | 2.096 |
| 7405120 | 3.792 | 7409058 | 6.830 | 7420001 | 1.429 | 7421643 | 5.536 | 7424642 | 2.049 |
| 7405121 | 3.792 | 7409160 | 0.798 | 7420004 | 0.207 | 7421645 | 5.484 | 7424644 | 2.049 |
| 7405122 | 3.791 | 7409209 | 2.670 | 7420011 | 1.658 | 7421646 | 5.484 | 7424645 | 2.049 |

"HQ" PARTS CATALOGUE

| PART No. | GROUP | PART No. | GROUP | PART No. | GROUP | PART No. | GROUP | PART No. | GROUP |
|----------|--------|----------|--------|----------|--------|----------|--------|-----------|--------|
| 7424647 | 2.083 | 7426400 | 12.182 | 7429519 | 0.603 | 7430969 | 4.337 | 7433411 | 2.714 |
| 7424648 | 2.108 | 7426417 | 2.596 | 7429521 | 3.270 | 7430970 | 4.337 | 7433488 | 8.304 |
| 7424649 | 2.108 | 7426453 | 12.272 | 7429532 | 3.611 | 7430971 | 4.337 | 7433631 | 1.453 |
| 7424652 | 2.043 | 7426584 | 3.932 | 7429539 | 3.610 | 7430972 | 4.337 | 7433633 | 1.453 |
| 7424653 | 2.086 | 7426600 | 12.272 | 7429551 | 4.007 | 7431087 | 2.170 | 7433691 | 3.726 |
| 7424657 | 2.067 | 7426738 | 12.237 | 7429571 | 10.783 | 7431229 | 2.815 | 7433701 | 0.830 |
| 7424659 | 2.052 | 7426772 | 5.107 | 7429626 | 12.116 | 7431248 | 6.524 | 7433702 | 4.625 |
| 7424660 | 2.051 | 7426773 | 5.107 | 7429682 | 12.247 | 7431257 | 8.821 | 7433716 | 5.055 |
| 7424661 | 2.053 | 7426774 | 5.103 | 7429742 | 11.611 | 7431327 | 0.646 | 7433737 | 3.618 |
| 7424665 | 2.063 | 7426775 | 5.103 | 7429774 | 4.533 | 7431380 | 4.625 | 7433738 | 3.616 |
| 7424666 | 2.077 | 7426776 | 5.103 | 7429820 | 13.090 | 7431533 | 0.673 | 7433753 | 5.056 |
| 7424669 | 2.100 | 7426777 | 5.103 | 7429826 | 12.237 | 7431552 | 11.420 | 7433767 | 4.316 |
| 7424678 | 2.102 | 7426778 | 5.103 | 7429932 | 2.277 | 7431746 | 0.736 | 7433768 | 4.317 |
| 7424679 | 2.102 | 7426802 | 3.028 | 7429955 | 13.090 | 7431756 | 3.616 | 7433769 | 4.109 |
| 7424685 | 2.316 | 7426873 | 12.247 | 7429966 | 4.382 | 7431757 | 3.616 | 7433771 | 4.105 |
| 7424746 | 2.372 | 7426874 | 8.800 | 7429999 | 4.355 | 7431816 | 4.035 | 7433772 | 4.311 |
| 7424749 | 2.387 | 7426875 | 12.249 | 7430042 | 10.185 | 7431841 | 12.212 | 7433773 | 4.311 |
| 7424753 | 2.382 | 7426879 | 12.249 | 7430091 | 12.184 | 7431859 | 12.030 | 7433774 | 4.304 |
| 7424757 | 2.291 | 7426909 | 1.611 | 7430096 | 0.678 | 7431901 | 12.942 | 7433775 | 4.308 |
| 7424765 | 3.003 | 7426912 | 10.270 | 7430099 | 0.796 | 7431958 | 10.262 | 7433776 | 4.423 |
| 7424836 | 5.110 | 7426937 | 1.723 | 7430136 | 4.309 | 7431992 | 3.616 | 7433793 | 0.797 |
| 7424840 | 8.024 | 7427288 | 12.237 | 7430270 | 0.289 | 7431993 | 3.616 | 7433794 | 0.797 |
| 7424849 | 8.143 | 7427306 | 12.237 | 7430402 | 0.094 | 7432145 | 10.185 | 7433806 | 9.220 |
| 7424850 | 8.143 | 7427343 | 3.783 | 7430403 | 0.094 | 7432147 | 5.026 | 7433817 | 12.184 |
| 7424914 | 12.242 | 7427392 | 12.203 | 7430404 | 0.094 | 7432236 | 4.081 | 7433818 | 12.184 |
| 7424915 | 12.242 | 7427418 | 0.748 | 7430406 | 0.094 | 7432326 | 10.152 | 7433830 | 4.395 |
| 7424918 | 12.237 | 7427495 | 12.956 | 7430407 | 0.094 | 7432336 | 10.466 | 7433832 | 4.351 |
| 7424919 | 12.237 | 7427504 | 12.811 | 7430408 | 0.094 | 7432423 | 10.783 | 7433854 | 12.195 |
| 7424922 | 12.237 | 7427505 | 12.811 | 7430410 | 2.274 | 7432638 | 5.510 | 7433868 | 4.430 |
| 7424923 | 12.237 | 7427625 | 1.516 | 7430430 | 0.096 | 7432662 | 6.020 | 7433869 | 4.309 |
| 7425039 | 8.800 | 7427731 | 0.296 | 7430431 | 0.096 | 7432669 | 12.248 | 7433871 | 4.403 |
| 7425228 | 8.800 | 7427732 | 0.297 | 7430432 | 0.096 | 7432672 | 12.248 | 7433895 | 0.796 |
| 7425229 | 8.800 | 7427738 | 0.206 | 7430434 | 0.096 | 7432748 | 10.152 | 7433896 | 0.798 |
| 7425230 | 8.800 | 7427765 | 1.219 | 7430435 | 0.096 | 7432749 | 8.085 | 7433915 | 5.041 |
| 7425234 | 8.800 | 7427774 | 1.219 | 7430436 | 0.096 | 7432888 | 2.737 | 7433927 | 4.311 |
| 7425272 | 10.150 | 7427777 | 15.313 | 7430437 | 0.106 | 7432889 | 2.729 | 7433928 | 4.423 |
| 7425330 | 8.800 | 7427807 | 4.040 | 7430438 | 0.106 | 7432906 | 2.555 | 7433929 | 4.408 |
| 7425360 | 8.800 | 7427808 | 4.040 | 7430439 | 0.106 | 7432933 | 2.737 | 7433973 | 8.798 |
| 7425362 | 8.800 | 7427822 | 1.066 | 7430441 | 0.106 | 7432966 | 12.112 | 7433976 | 12.242 |
| 7425610 | 12.184 | 7427962 | 5.555 | 7430442 | 0.106 | 7433003 | 2.555 | 7433977 | 12.242 |
| 7425615 | 1.517 | 7428031 | 0.277 | 7430443 | 0.106 | 7433005 | 2.731 | 7433986 | 4.433 |
| 7425653 | 5.460 | 7428243 | 12.176 | 7430444 | 0.616 | 7433016 | 5.026 | 7433998 | 4.317 |
| 7425931 | 5.504 | 7428552 | 0.844 | 7430445 | 0.616 | 7433017 | 5.105 | 7434050 | 9.779 |
| 7426095 | 12.247 | 7428703 | 2.083 | 7430446 | 0.616 | 7433018 | 5.105 | 7434067 | 12.955 |
| 7426096 | 12.249 | 7428705 | 2.096 | 7430448 | 0.616 | 7433019 | 5.105 | 7434071 | 8.798 |
| 7426097 | 12.249 | 7428707 | 2.096 | 7430449 | 0.616 | 7433020 | 8.078 | 7434122 | 15.311 |
| 7426098 | 12.247 | 7428865 | 3.430 | 7430450 | 0.616 | 7433032 | 10.702 | 7434165 | 2.333 |
| 7426099 | 12.248 | 7428968 | 2.367 | 7430451 | 0.616 | 7433036 | 12.195 | 7434209BA | 15.311 |
| 7426100 | 12.248 | 7428969 | 2.382 | 7430452 | 0.616 | 7433066 | 11.634 | 7434209CA | 15.311 |
| 7426101 | 12.247 | 7428970 | 2.393 | 7430453 | 0.616 | 7433090 | 12.195 | 7434209CB | 15.311 |
| 7426103 | 12.247 | 7428972 | 2.385 | 7430454 | 0.616 | 7433102 | 11.634 | 7434209CD | 15.311 |
| 7426133 | 3.403 | 7428980 | 2.368 | 7430496 | 3.270 | 7433103 | 11.634 | 7434209CE | 15.311 |
| 7426135 | 3.410 | 7428982 | 2.368 | 7430621 | 6.524 | 7433104 | 11.634 | 7434209CG | 15.311 |
| 7426138 | 3.403 | 7429031 | 10.150 | 7430719 | 12.247 | 7433120 | 2.727 | 7434209CJ | 15.311 |
| 7426139 | 3.410 | 7429033 | 10.150 | 7430789 | 7.633 | 7433121 | 5.149 | 7434209CY | 15.311 |
| 7426148 | 3.410 | 7429181 | 1.803 | 7430790 | 7.632 | 7433122 | 5.149 | 7434209DA | 15.311 |
| 7426190 | 12.247 | 7429199 | 12.247 | 7430865 | 1.069 | 7433130 | 5.111 | 7434209DB | 15.311 |
| 7426194 | 12.195 | 7429241 | 8.800 | 7430869 | 5.504 | 7433131 | 5.111 | 7434209DC | 15.311 |
| 7426211 | 3.201 | 7429243 | 8.800 | 7430870 | 5.504 | 7433139 | 4.652 | 7434209DD | 15.311 |
| 7426212 | 2.424 | 7429381 | 0.861 | 7430871 | 5.504 | 7433162 | 4.652 | 7434209DE | 15.311 |
| 7426217 | 11.950 | 7429390 | 0.839 | 7430879 | 2.500 | 7433172 | 4.675 | 7434209DF | 15.311 |
| 7426303 | 9.743 | 7429459 | 1.252 | 7430917 | 4.342 | 7433213 | 4.659 | 7434209DG | 15.311 |
| 7426308 | 12.237 | 7429464 | 3.288 | 7430921 | 4.338 | 7433250 | 1.762 | 7434210 | 5.163 |
| 7426309 | 12.237 | 7429473 | 0.289 | 7430922 | 0.736 | 7433264 | 4.017 | 7434212 | 8.304 |
| 7426356 | 8.798 | 7429476 | 3.275 | 7430967 | 4.337 | 7433352 | 6.518 | 7434224 | 0.659 |
| 7426387 | 7.347 | 7429514 | 3.601 | 7430968 | 4.337 | 7433398 | 12.238 | 7434260 | 12.242 |

| PART No. | GROUP | PART No. | GROUP | PART No. | GROUP | PART No. | GROUP | PART No. | GROUP |
|----------|--------|----------|--------|----------|--------|-----------|--------|-----------|--------|
| 7434266 | 4.342 | 7434946 | 1.653 | 7436461 | 6.606 | 7438383 | 15.292 | 7439827DL | 15.390 |
| 7434301 | 0.646 | 7434961 | 4.653 | 7436603 | 12.182 | 7438390 | 4.668 | 7439827DM | 15.390 |
| 7434307 | 4.421 | 7434978 | 4.383 | 7436617 | 1.426 | 7438425 | 4.670 | 7439828 | 3.163 |
| 7434308 | 4.418 | 7434979 | 3.270 | 7436618 | 1.426 | 7438477 | 0.277 | 7439834 | 3.459 |
| 7434312 | 4.685 | 7434980 | 3.270 | 7436629 | 0.886 | 7438478 | 0.277 | 7439863 | 2.727 |
| 7434368 | 12.203 | 7434981 | 2.361 | 7436630 | 0.886 | 7438527 | 4.383 | 7439898 | 0.646 |
| 7434369 | 12.203 | 7434996 | 10.187 | 7436633 | 0.861 | 7438532 | 3.003 | 7439906 | 9.632 |
| 7434382 | 11.207 | 7434998 | 10.187 | 7436634 | 0.861 | 7438537 | 4.040 | 7439930 | 4.017 |
| 7434452 | 4.342 | 7435003 | 3.163 | 7436713 | 2.424 | 7438562 | 1.762 | 7440470 | 2.170 |
| 7434465 | 2.697 | 7435027 | 10.797 | 7436736 | 5.529 | 7438599BA | 14.799 | 7441302 | 1.803 |
| 7434487 | 12.116 | 7435043 | 4.384 | 7436752 | 2.239 | 7438599CA | 14.799 | 7441715 | 3.003 |
| 7434510 | 4.931 | 7435044 | 4.380 | 7436758 | 0.426 | 7438599CB | 14.799 | 7446262 | 8.910 |
| 7434562 | 10.559 | 7435045 | 4.380 | 7436779 | 2.731 | 7438599CD | 14.799 | 7447111 | 2.726 |
| 7434563 | 10.559 | 7435047 | 4.384 | 7436867 | 10.702 | 7438599CE | 14.799 | 7448437 | 2.737 |
| 7434570 | 12.212 | 7435071 | 3.270 | 7436921 | 12.272 | 7438599CG | 14.799 | 7448475 | 12.116 |
| 7434580 | 12.203 | 7435105 | 2.170 | 7437015 | 12.182 | 7438599CJ | 14.799 | 7448519 | 0.823 |
| 7434610 | 12.272 | 7435107 | 0.533 | 7437019 | 5.045 | 7438599DA | 14.799 | 7448542 | 8.823 |
| 7434634 | 12.272 | 7435140 | 3.270 | 7437055 | 4.383 | 7438599DB | 14.799 | 7448550 | 8.800 |
| 7434693 | 11.208 | 7435141 | 12.247 | 7437068 | 7.020 | 7438599DC | 14.799 | 7448551 | 8.800 |
| 7434699 | 0.736 | 7435153 | 5.508 | 7437069 | 0.679 | 7438599DE | 14.799 | 7448553 | 8.800 |
| 7434717 | 0.207 | 7435189 | 1.062 | 7437078 | 14.803 | 7438599DF | 14.799 | 7448554 | 8.800 |
| 7434726 | 0.823 | 7435242 | 10.512 | 7437128 | 0.844 | 7438599DG | 14.799 | 7448624 | 0.795 |
| 7434728 | 0.636 | 7435250 | 0.533 | 7437137 | 0.797 | 7438646 | 5.111 | 7448642 | 3.459 |
| 7434732 | 1.643 | 7435295 | 0.659 | 7437138 | 0.797 | 7438659 | 8.304 | 7448697 | 3.430 |
| 7434733 | 0.724 | 7435375 | 4.625 | 7437199 | 3.610 | 7438769 | 3.402 | 7448698 | 3.430 |
| 7434734 | 1.429 | 7435382 | 5.505 | 7437267 | 7.370 | 7438806 | 5.529 | 7448744 | 1.803 |
| 7434735 | 1.429 | 7435386 | 5.586 | 7437268 | 7.370 | 7438886 | 3.459 | 7448810 | 4.337 |
| 7434738 | 0.308 | 7435393 | 0.683 | 7437269 | 0.748 | 7438910 | 8.800 | 7448829 | 0.056 |
| 7434739 | 0.669 | 7435396 | 1.659 | 7437276 | 11.012 | 7438960 | 0.289 | 7448884 | 4.040 |
| 7434740 | 1.658 | 7435397 | 2.041 | 7437280 | 14.641 | 7438983 | 1.219 | 7449079 | 2.824 |
| 7434741 | 3.932 | 7435413 | 9.640 | 7437284 | 0.852 | 7438985 | 1.219 | 7449188 | 0.386 |
| 7434745 | 1.069 | 7435417 | 12.212 | 7437291 | 3.275 | 7439027 | 0.886 | 7449209 | 1.063 |
| 7434749 | 1.079 | 7435450 | 0.803 | 7437296 | 3.410 | 7439076 | 4.665 | 7449215 | 5.529 |
| 7434751 | 2.414 | 7435456 | 0.210 | 7437297 | 3.403 | 7439077 | 4.665 | 7449218 | 5.529 |
| 7434755 | 1.659 | 7435458 | 0.659 | 7437298 | 3.410 | 7439253 | 10.187 | 7449283 | 5.362 |
| 7434757 | 0.736 | 7435546 | 5.510 | 7437317 | 4.337 | 7439263 | 12.237 | 7449355 | 5.543 |
| 7434758 | 3.900 | 7435606 | 0.646 | 7437355 | 6.898 | 7439462 | 3.459 | 7449382 | 5.528 |
| 7434759 | 0.728 | 7435617 | 0.636 | 7437372 | 0.666 | 7439491 | 1.610 | 7449383 | 5.526 |
| 7434767 | 0.296 | 7435646 | 0.683 | 7437377 | 0.646 | 7439492 | 1.762 | 7449389 | 5.542 |
| 7434768 | 0.297 | 7435649 | 12.955 | 7437392 | 5.529 | 7439493 | 1.762 | 7449396 | 1.652 |
| 7434778 | 0.669 | 7435667 | 7.020 | 7437450 | 3.275 | 7439584 | 1.762 | 7449397 | 1.653 |
| 7434795 | 1.154 | 7435688 | 13.092 | 7437489 | 0.852 | 7439585 | 1.745 | 7449470 | 5.545 |
| 7434800 | 0.686 | 7435825 | 3.601 | 7437569 | 8.077 | 7439685 | 4.356 | 7449472 | 5.545 |
| 7434806 | 2.727 | 7435833 | 1.609 | 7437583 | 7.347 | 7439693 | 0.679 | 7449489 | 5.510 |
| 7434808 | 0.293 | 7435914 | 6.321 | 7437584 | 7.347 | 7439827BA | 15.390 | 7449490 | 5.510 |
| 7434809 | 0.293 | 7435941 | 12.242 | 7437585 | 7.347 | 7439827BK | 15.390 | 7449495 | 4.352 |
| 7434810 | 0.293 | 7436017 | 12.242 | 7437586 | 7.347 | 7439827BL | 15.390 | 7449496 | 4.422 |
| 7434812 | 0.289 | 7436018 | 12.241 | 7437644 | 7.347 | 7439827CA | 15.390 | 7449498 | 4.003 |
| 7434814 | 0.296 | 7436026 | 3.601 | 7437776 | 2.737 | 7439827CB | 15.390 | 7449499 | 4.005 |
| 7434815 | 0.296 | 7436029 | 0.308 | 7437825 | 6.822 | 7439827CD | 15.390 | 7449509 | 5.536 |
| 7434816 | 0.296 | 7436043 | 10.791 | 7437892 | 3.275 | 7439827CE | 15.390 | 7449532 | 5.447 |
| 7434817 | 0.296 | 7436171 | 4.356 | 7438035 | 5.527 | 7439827CG | 15.390 | 7449533 | 5.447 |
| 7434818 | 0.297 | 7436174 | 0.795 | 7438087 | 0.277 | 7439827CJ | 15.390 | 7449535 | 5.484 |
| 7434819 | 0.297 | 7436218 | 8.168 | 7438089 | 4.665 | 7439827CK | 15.390 | 7449536 | 5.484 |
| 7434820 | 0.297 | 7436220 | 3.618 | 7438090 | 4.665 | 7439827CL | 15.390 | 7449561 | 4.133 |
| 7434821 | 0.297 | 7436221 | 3.616 | 7438110 | 2.041 | 7439827CM | 15.390 | 7449562 | 4.133 |
| 7434848 | 1.654 | 7436222 | 3.616 | 7438128 | 1.109 | 7439827CS | 15.390 | 7449585 | 2.170 |
| 7434849 | 1.724 | 7436226 | 0.726 | 7438144 | 5.510 | 7439827CY | 15.390 | 7449627 | 5.506 |
| 7434855 | 2.362 | 7436254 | 2.892 | 7438159 | 4.670 | 7439827DA | 15.390 | 7449654 | 4.337 |
| 7434859 | 1.656 | 7436278 | 6.655 | 7438292 | 9.608 | 7439827DB | 15.390 | 7449661 | 12.195 |
| 7434861 | 0.429 | 7436291 | 4.625 | 7438308 | 4.665 | 7439827DC | 15.390 | 7449737 | 5.398 |
| 7434870 | 0.333 | 7436293 | 4.625 | 7438309 | 4.665 | 7439827DE | 15.390 | 7449801 | 5.399 |
| 7434871 | 0.519 | 7436316 | 10.685 | 7438310 | 4.665 | 7439827DF | 15.390 | 7449858 | 5.453 |
| 7434873 | 10.093 | 7436318 | 10.777 | 7438311 | 4.665 | 7439827DG | 15.390 | 7449859 | 5.489 |
| 7434874 | 1.835 | 7436379 | 1.066 | 7438367 | 4.668 | 7439827DJ | 15.390 | 7449861 | 5.460 |
| 7434932 | 1.723 | 7436448 | 0.683 | 7438376 | 7.347 | 7439827DK | 15.390 | 7449910 | 2.555 |

| PART No. | GROUP | PART No. | GROUP | PART No. | GROUP | PART No. | GROUP | PART No. | GROUP |
|----------|--------|----------|-------|----------|-------|----------|--------|----------|-------|
| 7451407 | 4.352 | 8623152 | 4.163 | 8624101 | 4.164 | 8626876 | 4.248 | 9415813 | 8.900 |
| 7648823 | 11.007 | 8623153 | 4.164 | 8624136 | 4.241 | 8626878 | 4.228 | 9415818 | 8.900 |
| 7674311 | 11.015 | 8623155 | 4.251 | 8624138 | 4.241 | 8626879 | 4.228 | 9415820 | 0.830 |
| 7698786 | 10.665 | 8623157 | 4.248 | 8624139 | 4.241 | 8626881 | 4.233 | 9415844 | 8.900 |
| 7731133 | 11.940 | 8623174 | 4.241 | 8624140 | 4.241 | 8626883 | 4.228 | 9416046 | 8.921 |
| 7731353 | 10.515 | 8623177 | 4.161 | 8624141 | 4.241 | 8626884 | 4.228 | 9416089 | 8.977 |
| 7791597 | 11.007 | 8623182 | 4.159 | 8624196 | 4.164 | 8626901 | 4.317 | 9416128 | 8.929 |
| 7800269 | 6.521 | 8623202 | 4.187 | 8624199 | 4.163 | 8626902 | 4.241 | 9416136 | 8.977 |
| 7800580 | 6.521 | 8623232 | 4.275 | 8624210 | 4.166 | 8626931 | 4.196 | 9416197 | 8.977 |
| 7802916 | 6.524 | 8623262 | 4.256 | 8624256 | 4.246 | 8627007 | 4.256 | 9416316 | 8.977 |
| 7803432 | 6.524 | 8623263 | 4.256 | 8624336 | 4.279 | 8627153 | 4.242 | 9416367 | 0.679 |
| 7803464 | 6.524 | 8623292 | 4.226 | 8624482 | 4.265 | 8627161 | 4.265 | 9416642 | 8.977 |
| 7803820 | 6.635 | 8623295 | 4.265 | 8624709 | 4.318 | 8627302 | 4.003 | 9416643 | 8.977 |
| 7804410 | 2.195 | 8623298 | 4.265 | 8624772 | 4.123 | 8627334 | 4.167 | 9416897 | 8.900 |
| 7804412 | 2.195 | 8623300 | 4.169 | 8624781 | 4.164 | 8627442 | 4.266 | 9417098 | 8.929 |
| 7804413 | 6.518 | 8623301 | 4.169 | 8624783 | 4.162 | 8627453 | 4.175 | 9417325 | 8.977 |
| 7804771 | 6.521 | 8623302 | 4.169 | 8624908 | 4.169 | 8627509 | 4.248 | 9417373 | 8.929 |
| 7805700 | 6.524 | 8623303 | 4.169 | 8624966 | 4.103 | 8736585 | 10.093 | 9417408 | 8.977 |
| 7805950 | 2.188 | 8623304 | 4.169 | 8624976 | 4.294 | 8737225 | 10.685 | 9417457 | 8.977 |
| 7806046 | 2.195 | 8623305 | 4.169 | 8625197 | 4.163 | 8786143 | 10.266 | 9417504 | 8.941 |
| 7806389 | 6.524 | 8623306 | 4.169 | 8625221 | 4.172 | 8786144 | 10.266 | 9417793 | 8.929 |
| 7807271 | 6.524 | 8623311 | 4.337 | 8625401 | 4.176 | 8799792 | 10.777 | 9417863 | 2.679 |
| 7808099 | 6.524 | 8623368 | 4.226 | 8625402 | 4.176 | 8799901 | 10.777 | 9417866 | 2.679 |
| 7808195 | 6.617 | 8623422 | 4.226 | 8625403 | 4.176 | 8900460 | 2.555 | 9417867 | 2.585 |
| 7808859 | 6.635 | 8623425 | 4.104 | 8625404 | 4.176 | 8909393 | 4.055 | 9417891 | 8.984 |
| 7809226 | 6.624 | 8623430 | 4.242 | 8625405 | 4.176 | 8958619 | 4.128 | 9417892 | 8.984 |
| 7810333 | 6.614 | 8623437 | 4.162 | 8625406 | 4.176 | 9409107 | 8.900 | 9418143 | 8.900 |
| 7811616 | 6.673 | 8623483 | 4.163 | 8625422 | 4.128 | 9411027 | 8.984 | 9418302 | 8.916 |
| 7811617 | 6.673 | 8623484 | 4.175 | 8625428 | 4.224 | 9411397 | 8.900 | 9418622 | 8.977 |
| 7812724 | 6.605 | 8623489 | 4.233 | 8625514 | 4.166 | 9411529 | 8.977 | 9418693 | 1.265 |
| 7813462 | 6.612 | 8623507 | 4.265 | 8625544 | 4.265 | 9411532 | 8.977 | 9418712 | 8.908 |
| 7930601 | 9.786 | 8623563 | 4.265 | 8625546 | 4.265 | 9411535 | 8.977 | 9418794 | 8.977 |
| 7935830 | 9.275 | 8623583 | 4.265 | 8625571 | 0.683 | 9411652 | 8.977 | 9418822 | 8.900 |
| 7950671 | 3.927 | 8623592 | 4.265 | 8625648 | 4.226 | 9412978 | 4.233 | 9418823 | 8.900 |
| 7950756 | 3.910 | 8623653 | 4.127 | 8625652 | 4.265 | 9413260 | 2.100 | 9418894 | 8.910 |
| 8526387 | 9.213 | 8623654 | 4.233 | 8625657 | 4.177 | 9413474 | 2.102 | 9418931 | 8.915 |
| 8526398 | 9.220 | 8623664 | 4.247 | 8625717 | 4.164 | 9413497 | 8.900 | 9419143 | 2.515 |
| 8526645 | 9.220 | 8623666 | 4.246 | 8625718 | 4.164 | 9413523 | 4.241 | 9419234 | 4.045 |
| 8611710 | 4.103 | 8623671 | 4.242 | 8625736 | 4.172 | 9413531 | 0.679 | 9419264 | 8.929 |
| 8616504 | 4.318 | 8623714 | 4.275 | 8625766 | 4.195 | 9413576 | 8.900 | 9419292 | 8.977 |
| 8619568 | 4.265 | 8623741 | 4.265 | 8625769 | 4.224 | 9413586 | 8.977 | 9419342 | 8.900 |
| 8620318 | 4.294 | 8623744 | 4.241 | 8625773 | 4.294 | 9413976 | 8.918 | 9419370 | 8.900 |
| 8622045 | 4.265 | 8623788 | 4.265 | 8625816 | 4.169 | 9414045 | 8.991 | 9419378 | 8.970 |
| 8623037 | 4.294 | 8623842 | 4.180 | 8625859 | 4.175 | 9414106 | 8.929 | 9419633 | 8.977 |
| 8623039 | 4.226 | 8623849 | 4.163 | 8625893 | 4.317 | 9414193 | 4.422 | 9419938 | 8.923 |
| 8623041 | 4.295 | 8623851 | 4.163 | 8625902 | 4.226 | 9414320 | 8.929 | 9419999 | 8.900 |
| 8623042 | 4.294 | 8623917 | 4.166 | 8625905 | 4.005 | 9414521 | 4.279 | 9420096 | 5.536 |
| 8623056 | 4.275 | 8623918 | 4.166 | 8625913 | 4.175 | 9414711 | 8.977 | 9420453 | 8.977 |
| 8623061 | 4.169 | 8623920 | 4.159 | 8625954 | 4.226 | 9414712 | 2.830 | 9420511 | 8.977 |
| 8623078 | 4.226 | 8623921 | 4.159 | 8625955 | 4.226 | 9414713 | 8.977 | 9420519 | 8.900 |
| 8623104 | 4.164 | 8623922 | 4.187 | 8625957 | 4.175 | 9414714 | 8.977 | 9420737 | 8.941 |
| 8623105 | 4.164 | 8623924 | 4.256 | 8625961 | 4.175 | 9414715 | 8.977 | 9420821 | 8.915 |
| 8623112 | 4.164 | 8623940 | 4.226 | 8625967 | 4.003 | 9414717 | 8.977 | 9420831 | 8.900 |
| 8623116 | 4.167 | 8623941 | 4.103 | 8625976 | 4.265 | 9414722 | 8.977 | 9420908 | 8.977 |
| 8623117 | 4.168 | 8623942 | 4.162 | 8625990 | 4.162 | 9414723 | 8.977 | 9421089 | 4.030 |
| 8623119 | 4.167 | 8623943 | 4.176 | 8626112 | 4.176 | 9414725 | 8.977 | 9421137 | 8.977 |
| 8623120 | 4.167 | 8623944 | 4.161 | 8626173 | 4.176 | 9414742 | 8.977 | 9421330 | 2.515 |
| 8623122 | 4.163 | 8623945 | 4.168 | 8626252 | 4.265 | 9414743 | 8.977 | 9421423 | 2.100 |
| 8623123 | 4.251 | 8623964 | 4.156 | 8626281 | 4.226 | 9414811 | 8.900 | 9421744 | 1.723 |
| 8623131 | 4.229 | 8623978 | 4.226 | 8626287 | 4.226 | 9414920 | 8.929 | 9422037 | 8.977 |
| 8623145 | 4.164 | 8623979 | 4.005 | 8626309 | 4.226 | 9415191 | 8.977 | 9422176 | 8.977 |
| 8623146 | 4.164 | 8623983 | 4.265 | 8626372 | 4.176 | 9415236 | 8.941 | 9422277 | 6.896 |
| 8623148 | 4.162 | 8624009 | 4.162 | 8626632 | 4.128 | 9415250 | 8.132 | 9422280 | 8.918 |
| 8623149 | 4.164 | 8624016 | 4.166 | 8626785 | 4.317 | 9415465 | 8.977 | 9422281 | 0.837 |
| 8623150 | 4.163 | 8624073 | 4.164 | 8626807 | 4.159 | 9415794 | 8.900 | 9422286 | 6.163 |
| 8623151 | 4.163 | 8624091 | 4.294 | 8626816 | 4.162 | 9415795 | 8.900 | 9422297 | 8.917 |

"HQ" PARTS CATALOGUE

| PART No. | GROUP | PART No. | GROUP | PART No. | GROUP | PART No. | GROUP | PART No. | GROUP |
|----------|-------------|-----------|-------------|-----------|-------------|-----------|-------------|-----------|-------------|
| 9422299 |6.168 | 9928360 |9.620 | 9928515DE |14.800 | 9928542DE |14.800 | 9928758CE |14.800 |
| 9422301 |5.382 | 9928361 |9.620 | 9928515DF |14.800 | 9928542DF |14.800 | 9928758CG |14.800 |
| 9422550 |8.900 | 9928490 |9.210 | 9928515DG |14.800 | 9928542DG |14.800 | 9928758CN |14.800 |
| 9422836 |8.921 | 9928492 |9.169 | 9928516BA |14.880 | 9928543BA |14.800 | 9928758CX |14.800 |
| 9423551 |2.589 | 9928493 |9.169 | 9928516CA |14.880 | 9928543CA |14.800 | 9928758CY |14.800 |
| 9423842 |0.429 | 9928502 |11.374 | 9928516CD |14.880 | 9928543CE |14.800 | 9928758CZ |14.800 |
| 9425111 |8.304 | 9928503 |11.374 | 9928516CE |14.880 | 9928543CG |14.800 | 9928758DC |14.800 |
| 9425450 |8.975 | 9928510BA |14.880 | 9928516CG |14.880 | 9928543CN |14.800 | 9928758DE |14.800 |
| 9425507 |8.977 | 9928510CA |14.880 | 9928516CJ |14.880 | 9928543CX |14.800 | 9928758DF |14.800 |
| 9425691 |8.918 | 9928510CB |14.880 | 9928516CY |14.880 | 9928543CY |14.800 | 9928758DH |14.800 |
| 9425763 |8.977 | 9928510CD |14.880 | 9928516DB |14.880 | 9928543CZ |14.800 | 9928768DG |14.800 |
| 9426332 |8.965 | 9928510CE |14.880 | 9928516DC |14.880 | 9928543DB |14.800 | 9928773 |12.182 |
| 9426333 |2.481 | 9928510CG |14.880 | 9928516DE |14.880 | 9928543DE |14.800 | 9928795 |4.230 |
| 9426341 |8.965 | 9928510CJ |14.880 | 9928516DF |14.880 | 9928543DF |14.800 | 9928799 |1.203 |
| 9426487 |8.977 | 9928510CY |14.880 | 9928516DG |14.880 | 9928543DG |14.800 | 9928800 |1.203 |
| 9426506 |8.977 | 9928510DA |14.880 | 9928517BA |14.880 | 9928577 |5.816 | 9928839 |4.662 |
| 9426936 |8.910 | 9928510DB |14.880 | 9928517CA |14.880 | 9928604 |3.725 | 9928856 |8.132 |
| 9427182 |0.683 | 9928510DC |14.880 | 9928517CD |14.880 | 9928650 |5.871 | 9928857 |8.056 |
| 9427636 |8.900 | 9928510DE |14.880 | 9928517CE |14.880 | 9928664 |14.890 | 9928858 |8.056 |
| 9427637 |8.900 | 9928510DF |14.880 | 9928517CG |14.880 | 9928697 |0.386 | 9928863 |11.373 |
| 9427638 |8.900 | 9928510DG |14.880 | 9928517CJ |14.880 | 9928699 |1.745 | 9928868 |2.820 |
| 9427658 |8.900 | 9928511BA |14.880 | 9928517CN |14.880 | 9928722 |3.260 | 9928879 |12.182 |
| 9427685 |8.900 | 9928511CA |14.880 | 9928517CP |14.880 | 9928755BA |14.880 | 9928882 |1.266 |
| 9427686 |8.900 | 9928511CG |14.880 | 9928517CY |14.880 | 9928755CA |14.880 | 9928884 |9.169 |
| 9427729 |8.900 | 9928511CH |14.880 | 9928517DB |14.880 | 9928755CB |14.880 | 9928895 |3.003 |
| 9427813 |8.900 | 9928511CJ |14.880 | 9928517DC |14.880 | 9928755CD |14.880 | 9928904 |9.276 |
| 9427815 |2.102 | 9928512BA |14.880 | 9928517DE |14.880 | 9928755CE |14.880 | 9928908 |2.684 |
| 9427959 |8.900 | 9928512CA |14.880 | 9928517DF |14.880 | 9928755CG |14.880 | 9928920 |15.036 |
| 9427960 |8.900 | 9928512CE |14.880 | 9928517DG |14.880 | 9928755CJ |14.880 | 9928921 |15.002 |
| 9427961 |0.033 | 9928512CG |14.880 | 9928518BA |14.800 | 9928755CY |14.880 | 9928929BA |14.651 |
| 9427969 |8.900 | 9928512CN |14.880 | 9928518CA |14.800 | 9928755DA |14.880 | 9928929CB |14.651 |
| 9428163 |8.900 | 9928512CX |14.880 | 9928518CD |14.800 | 9928755DB |14.880 | 9928929CD |14.651 |
| 9428168 |8.977 | 9928512CY |14.880 | 9928518CE |14.800 | 9928755DC |14.880 | 9928929CE |14.651 |
| 9428353 |8.977 | 9928512CZ |14.880 | 9928518CG |14.800 | 9928755DE |14.880 | 9928929CG |14.651 |
| 9428406 |6.900 | 9928512DB |14.880 | 9928518CJ |14.800 | 9928755DF |14.880 | 9928929CJ |14.651 |
| 9428498 |8.900 | 9928512DE |14.880 | 9928518CY |14.800 | 9928755DG |14.880 | 9928929DA |14.651 |
| 9428643 |0.859 | 9928512DF |14.880 | 9928518DB |14.800 | 9928756BA |14.880 | 9928929DB |14.651 |
| 9428647 |8.977 | 9928512DG |14.880 | 9928518DE |14.800 | 9928756CA |14.880 | 9928929DC |14.651 |
| 9428787 |3.780 | 9928513BA |14.800 | 9928518DF |14.800 | 9928756CE |14.880 | 9928929DE |14.651 |
| 9429003 |8.977 | 9928513CA |14.800 | 9928518DG |14.800 | 9928756CG |14.880 | 9928929DF |14.651 |
| 9429662 |8.929 | 9928513CB |14.800 | 9928519BA |14.800 | 9928756CN |14.880 | 9928929DG |14.651 |
| 9430452 |8.900 | 9928513CD |14.800 | 9928519CA |14.800 | 9928756CX |14.880 | 9928979BA |15.000 |
| 9430454 |8.900 | 9928513CE |14.800 | 9928519CD |14.800 | 9928756CY |14.880 | 9928979CA |15.000 |
| 9432096 |8.900 | 9928513CG |14.800 | 9928519CE |14.800 | 9928756CZ |14.880 | 9928979CD |15.000 |
| 9432483 |8.900 | 9928513CJ |14.800 | 9928519CF |14.800 | 9928756DB |14.880 | 9928979CE |15.000 |
| 9432575 |8.900 | 9928513CY |14.800 | 9928519CG |14.800 | 9928756DC |14.880 | 9928979CF |15.000 |
| 9433659 |9.180 | 9928513DA |14.800 | 9928519CJ |14.800 | 9928756DE |14.880 | 9928979CG |15.000 |
| 9433975 |8.977 | 9928513DB |14.800 | 9928519CN |14.800 | 9928756DF |14.880 | 9928979CJ |15.000 |
| 9434026 |8.910 | 9928513DC |14.800 | 9928519CP |14.800 | 9928756DG |14.880 | 9928979CN |15.000 |
| 9703972 |10.783 | 9928513DE |14.800 | 9928519CY |14.800 | 9928756DH |14.880 | 9928979CP |15.000 |
| 9704186 |10.466 | 9928513DF |14.800 | 9928519DB |14.800 | 9928757BA |14.800 | 9928979CY |15.000 |
| 9704187 |10.466 | 9928513DG |14.800 | 9928519DC |14.800 | 9928757CA |14.800 | 9928979DB |15.000 |
| 9704188 |10.466 | 9928514BA |14.800 | 9928519DE |14.800 | 9928757CB |14.800 | 9928979DC |15.000 |
| 9709291 |11.007 | 9928514CA |14.800 | 9928519DF |14.800 | 9928757CD |14.800 | 9928979DE |15.000 |
| 9709294 |11.007 | 9928514CG |14.800 | 9928519DG |14.800 | 9928757CE |14.800 | 9928979DF |15.000 |
| 9722397 |10.777 | 9928514CH |14.800 | 9928542BA |14.800 | 9928757CG |14.800 | 9928979DG |15.000 |
| 9774413 |4.337 | 9928514CJ |14.800 | 9928542CA |14.800 | 9928757CJ |14.800 | 9928980BA |15.035 |
| 9775809 |5.537 | 9928515BA |14.800 | 9928542CB |14.800 | 9928757CY |14.800 | 9929016BA |15.035 |
| 9776705 |3.932 | 9928515CA |14.800 | 9928542CD |14.800 | 9928757DA |14.800 | 9929016CA |15.035 |
| 9780628 |4.337 | 9928515CE |14.800 | 9928542CE |14.800 | 9928757DB |14.800 | 9929016CD |15.035 |
| 9788982 |1.064 | 9928515CG |14.800 | 9928542CG |14.800 | 9928757DC |14.800 | 9929016CE |15.035 |
| 9825442 |10.777 | 9928515CN |14.800 | 9928542CJ |14.800 | 9928757DE |14.800 | 9929016CG |15.035 |
| 9825443 |10.777 | 9928515CX |14.800 | 9928542CY |14.800 | 9928757DF |14.800 | 9929016CJ |15.035 |
| 9826809 |10.777 | 9928515CY |14.800 | 9928542DA |14.800 | 9928757DG |14.800 | 9929016CN |15.035 |
| 9928311 |8.112 | 9928515CZ |14.800 | 9928542DB |14.800 | 9928758CA |14.800 | 9929016CP |15.035 |
| 9928359 |9.620 | 9928515DB |14.800 | 9928542DC |14.800 | 9928758CB |14.800 | 9929016CY |15.035 |

NUMERICAL INDEX

"HQ" PARTS CATALOGUE

| PART No. | GROUP | PART No. | GROUP | PART No. | GROUP | PART No. | GROUP | PART No. | GROUP |
|-----------|--------|-----------|--------|-----------|--------|-----------|--------|-----------|--------|
| 9929016DB | 15.035 | 9929699BA | 14.640 | 9930249 | 12.810 | 9930931DD | 15.100 | 9932184CJ | 15.000 |
| 9929016DC | 15.035 | 9929699CA | 14.640 | 9930250 | 12.810 | 9930931DE | 15.100 | 9932184CK | 15.000 |
| 9929016DE | 15.035 | 9929699CB | 14.640 | 9930251 | 12.810 | 9930931DG | 15.100 | 9932184CL | 15.000 |
| 9929016DF | 15.035 | 9929699CD | 14.640 | 9930252 | 12.810 | 9931106 | 14.641 | 9932184CM | 15.000 |
| 9929016DG | 15.035 | 9929699CE | 14.640 | 9930253 | 12.810 | 9931282CA | 14.800 | 9932184CS | 15.000 |
| 9929041 | 0.027 | 9929699CG | 14.640 | 9930254 | 12.810 | 9931349TN | 9.684 | 9938758BA | 14.800 |
| 9929042 | 0.027 | 9929699CJ | 14.640 | 9930255 | 12.810 | 9931349TL | 9.684 | | |
| 9929064 | 4.205 | 9929699DA | 14.640 | 9930256 | 12.810 | 9931580BA | 14.798 | | |
| 9929079 | 3.107 | 9929699DB | 14.640 | 9930257 | 12.810 | 9931580CE | 14.798 | | |
| 9929084 | 3.107 | 9929699DC | 14.640 | 9930258 | 12.810 | 9931580CJ | 14.798 | | |
| 9929095 | 9.661 | 9929699DE | 14.640 | 9930259 | 12.810 | 9931580DD | 14.798 | | |
| 9929142CY | 15.000 | 9929699DF | 14.640 | 9930280 | 9.680 | 9931580DG | 14.798 | | |
| 9929142DA | 15.000 | 9929699DG | 14.640 | 9930281 | 9.680 | 9931581BA | 14.798 | | |
| 9929142DB | 15.000 | 9929709 | 4.265 | 9930282 | 9.680 | 9931581CE | 14.798 | | |
| 9929142DC | 15.000 | 9929784 | 3.028 | 9930283 | 9.680 | 9931581CJ | 14.798 | | |
| 9929142DE | 15.000 | 9929801 | 3.003 | 9930284 | 9.680 | 9931581DD | 14.798 | | |
| 9929142DF | 15.000 | 9929802 | 3.003 | 9930285 | 9.680 | 9931581DG | 14.798 | | |
| 9929142DG | 15.000 | 9929803 | 6.524 | 9930286 | 9.680 | 9931590 | 2.515 | | |
| 9929143CY | 15.035 | 9929804 | 3.003 | 9930287 | 9.680 | 9931591 | 2.515 | | |
| 9929143DB | 15.035 | 9929805 | 3.003 | 9930288 | 9.680 | 9931610 | 5.382 | | |
| 9929143DC | 15.035 | 9929806 | 3.003 | 9930289 | 9.680 | 9931611 | 2.515 | | |
| 9929143DE | 15.035 | 9929807 | 3.003 | 9930359BA | 15.035 | 9931612 | 2.515 | | |
| 9929143DF | 15.035 | 9929809 | 3.001 | 9930359CA | 15.035 | 9931613 | 2.515 | | |
| 9929143DG | 15.035 | 9929810 | 3.001 | 9930359CD | 15.035 | 9931623BA | 14.798 | | |
| 9929143DH | 15.035 | 9929811 | 3.001 | 9930359CE | 15.035 | 9931623DD | 14.798 | | |
| 9929149 | 4.003 | 9929817 | 3.001 | 9930359CG | 15.035 | 9931623DG | 14.798 | | |
| 9929150 | 4.003 | 9929832 | 3.003 | 9930359CJ | 15.035 | 9931624BA | 14.798 | | |
| 9929164 | 0.137 | 9929974 | 5.441 | 9930359CY | 15.035 | 9931624DD | 14.798 | | |
| 9929165 | 0.137 | 9930007 | 3.001 | 9930359DB | 15.035 | 9931624DG | 14.798 | | |
| 9929209 | 2.275 | 9930013 | 3.001 | 9930359DC | 15.035 | 9931991 | 8.823 | | |
| 9929261 | 3.609 | 9930035 | 4.226 | 9930359DE | 15.035 | 9931992 | 8.829 | | |
| 9929262 | 3.705 | 9930064BA | 14.800 | 9930359DF | 15.035 | 9932176 | 9.210 | | |
| 9929265 | 5.441 | 9930064CA | 14.800 | 9930359DG | 15.035 | 9932181CA | 14.880 | | |
| 9929279 | 4.226 | 9930064CB | 14.800 | 9930360BA | 15.000 | 9932181CB | 14.880 | | |
| 9929293 | 12.116 | 9930064CD | 14.800 | 9930360CA | 15.000 | 9932181CD | 14.880 | | |
| 9929294 | 12.116 | 9930064CE | 14.800 | 9930360CD | 15.000 | 9932181CE | 14.880 | | |
| 9929295 | 8.132 | 9930064CG | 14.800 | 9930360CE | 15.000 | 9932181CG | 14.880 | | |
| 9929296 | 8.132 | 9930064CJ | 14.800 | 9930360CG | 15.000 | 9932181CJ | 14.880 | | |
| 9929297 | 1.266 | 9930064CY | 14.800 | 9930360CJ | 15.000 | 9932181CK | 14.880 | | |
| 9929298 | 1.266 | 9930064DA | 14.800 | 9930360CY | 15.000 | 9932181CL | 14.880 | | |
| 9929528 | 4.904 | 9930064DB | 14.800 | 9930360DB | 15.000 | 9932181CM | 14.880 | | |
| 9929529 | 4.904 | 9930064DC | 14.800 | 9930360DC | 15.000 | 9932181CS | 14.880 | | |
| 9929547 | 11.960 | 9930064DE | 14.800 | 9930360DE | 15.000 | 9932182CB | 14.800 | | |
| 9929619 | 10.470 | 9930064DF | 14.800 | 9930360DF | 15.000 | 9932182CD | 14.800 | | |
| 9929620 | 10.470 | 9930064DG | 14.800 | 9930360DG | 15.000 | 9932182CE | 14.800 | | |
| 9929628 | 4.226 | 9930117BA | 14.801 | 9930366 | 7.505 | 9932182CG | 14.800 | | |
| 9929629 | 4.228 | 9930117CA | 14.801 | 9930368 | 7.505 | 9932182CJ | 14.800 | | |
| 9929676 | 4.233 | 9930117CB | 14.801 | 9930461 | 6.524 | 9932182CK | 14.800 | | |
| 9929677 | 4.228 | 9930117CD | 14.801 | 9930508 | 8.823 | 9932182CL | 14.800 | | |
| 9929678 | 4.226 | 9930117CE | 14.801 | 9930509 | 8.823 | 9932182CM | 14.800 | | |
| 9929681 | 4.265 | 9930117CG | 14.801 | 9930631 | 9.171 | 9932182CS | 14.800 | | |
| 9929685 | 4.265 | 9930117CJ | 14.801 | 9930697 | 10.230 | 9932183CA | 15.035 | | |
| 9929686 | 4.265 | 9930117CY | 14.801 | 9930700 | 5.441 | 9932183CB | 15.035 | | |
| 9929698BA | 14.640 | 9930117DA | 14.801 | 9930730CL | 9.684 | 9932183CD | 15.035 | | |
| 9929698CA | 14.640 | 9930117DB | 14.801 | 9930730TN | 9.684 | 9932183CE | 15.035 | | |
| 9929698CB | 14.640 | 9930117DC | 14.801 | 9930830 | 0.001 | 9932183CG | 15.035 | | |
| 9929698CD | 14.640 | 9930117DE | 14.801 | 9930831 | 0.001 | 9932183CJ | 15.035 | | |
| 9929698CE | 14.640 | 9930117DF | 14.801 | 9930930BA | 15.100 | 9932183CK | 15.035 | | |
| 9929698CG | 14.640 | 9930117DG | 14.801 | 9930930DA | 15.100 | 9932183CL | 15.035 | | |
| 9929698CJ | 14.640 | 9930119 | 14.802 | 9930930DB | 15.100 | 9932183CM | 15.035 | | |
| 9929698DA | 14.640 | 9930241 | 12.243 | 9930930DD | 15.100 | 9932183CS | 15.035 | | |
| 9929698DB | 14.640 | 9930243 | 8.132 | 9930930DE | 15.100 | 9932184CA | 15.000 | | |
| 9929698DC | 14.640 | 9930244 | 12.810 | 9930930DG | 15.100 | 9932184CB | 15.000 | | |
| 9929698DE | 14.640 | 9930245 | 12.810 | 9930931BA | 15.100 | 9932184CD | 15.000 | | |
| 9929698DF | 14.640 | 9930246 | 12.810 | 9930931DA | 15.100 | 9932184CE | 15.000 | | |
| 9929698DG | 14.640 | 9930248 | 12.810 | 9930931DB | 15.100 | 9932184CG | 15.000 | | |

GENUINE GM PARTS and ACCESSORIES are available through the GM Dealer Organisation

or

from the Authorised Full Franchise Distributors listed below:—

NEW SOUTH WALES

ANDCO AUTOMOTIVE PARTS DISTRIBUTORS PTY. LTD.
BEAZLEY & BRUCE PTY. LTD.
BENNETT & WOOD LTD.
BOYDED PTY. LTD.
BROOKLANDS ACCESSORIES (N.S.W.) PTY. LTD.
DWYER'S PTY. LTD.
JOHN A GILBERT PTY. LTD.
GILBERT & ROACH PARTS PTY. LTD.
W. H. LOBER & CO. PTY. LTD.
PRESTON MOTORS PTY. LTD. (ALBURY)
STACK PARTS PTY. LIMITED.
YOUNG & GREEN PTY. LTD.

VICTORIA

BILL PATTERSON—RINGWOOD PTY. LTD.
BROOKLANDS — MACHINS PTY. LTD.
BILL PATTERSON — CHENEY MELBOURNE PTY. LTD.
BILL PATTERSON — CHENEY DANDENONG PTY. LTD.
KEVIN DENNIS MOTORS (NEW) PTY. LTD.
MARKET MOTORS (DANDENONG) PTY. LTD.
PRESTON MOTORS PTY. LTD.
RHODES MOTOR CO. PTY. LTD.
STUART & HARRISON PTY. LTD.
WINTER & TAYLOR PTY. LTD.

WESTERN AUSTRALIA

ATKINS CARLYLE LIMITED
ATTWOOD MOTORS PTY. LTD.
CITY MOTORS PTY. LTD.
COVENTRY MOTOR REPLACEMENTS LTD.
SYDNEY ATKINSON MOTORS LTD.
MAJOR MOTORS PTY. LTD.

SOUTH AUSTRALIA

CITY STATE MOTORS PTY. LTD.
DUNCAN & CO. LTD.
FREEMAN MOTORS LTD.
MOTOR TRADERS (S.A.) LTD.
UNITED MOTORS LTD.

TASMANIA

MOTORS PTY. LTD.

NORTHERN TERRITORY

SUTTONS MOTORS (DARWIN) PTY. LTD.

QUEENSLAND

EAGERS PARTS & EQUIPMENT PTY. LTD.
ELPHINSTONES LTD.
MARTIN WILSON BROS. PTY. LTD.
